

# Technical Information

## Levelflex FMP56, FMP57

Guided wave radar

### Level measurement in bulk solids



#### Application

- Rod or rope probe
- Process connection: Starting 3/4" thread or flange
- Process temperature: -40 to +185 °C (-40 to +365 °F)
- Process pressure: -1 to +16 bar (-14.5 to +232 psi)
- Maximum measuring range: Rod 4 m (13 ft); rope 45 m (148 ft)
- Accuracy: ±2 mm (±0.08 in)
- International explosion protection certificates; EN10204-3.1
- Linearity protocol (3-point, 5-point)

#### Your benefits

- Reliable measurement even for changing product and process conditions
- HistoROM data management for easy commissioning, maintenance and diagnostics
- Highest reliability due to Multi-Echo Tracking
- Hardware and software developed according to IEC 61508 (up to SIL3)
- Seamless integration into control or asset management systems
- Intuitive user interface in national languages
- *Bluetooth*® wireless technology for commissioning, operation and maintenance via free iOS / Android app SmartBlue
- Easy proof test for SIL
- Heartbeat Technology™

## Table of contents

<b>Important document information</b> . . . . .	<b>4</b>	Process pressure range . . . . .	53
Symbols . . . . .	4	Dielectric constant (DC) . . . . .	53
<b>Function and system design</b> . . . . .	<b>5</b>	Extension of the rope probes due to tension and temperature . . . . .	53
Measuring principle . . . . .	5	<b>Mechanical construction</b> . . . . .	<b>54</b>
Measuring system . . . . .	7	Dimensions . . . . .	54
<b>Input</b> . . . . .	<b>10</b>	Probe length tolerances . . . . .	58
Measured variable . . . . .	10	Shortening probes . . . . .	58
Measuring range . . . . .	10	Weight . . . . .	59
Blocking distance . . . . .	12	Materials: GT18 housing (stainless steel, corrosion- resistant) . . . . .	59
Measuring frequency spectrum . . . . .	12	Materials: GT19 housing (plastic) . . . . .	60
<b>Output</b> . . . . .	<b>13</b>	Materials: GT20 housing (die-cast aluminum, powder- coated) . . . . .	60
Output signal . . . . .	13	Materials: Process connection . . . . .	61
Signal on alarm . . . . .	14	Materials: Probe . . . . .	62
Linearization . . . . .	14	Materials: Mounting bracket . . . . .	63
Galvanic isolation . . . . .	14	Materials: Adapter and cable for remote sensor . . . . .	64
Protocol-specific data . . . . .	15	Materials: weather protection cover . . . . .	65
<b>Power supply</b> . . . . .	<b>20</b>	<b>Operability</b> . . . . .	<b>65</b>
Terminal assignment . . . . .	20	Operating concept . . . . .	65
Device plug . . . . .	25	Local operation . . . . .	67
Supply voltage . . . . .	25	Operation with remote display and operating module FHX50 . . . . .	67
Power consumption . . . . .	28	Operation via Bluetooth® wireless technology . . . . .	68
Current consumption . . . . .	28	Remote operation . . . . .	69
Power supply failure . . . . .	29	SupplyCare inventory management software . . . . .	72
Potential equalization . . . . .	29	<b>Certificates and approvals</b> . . . . .	<b>75</b>
Terminals . . . . .	29	CE mark . . . . .	75
Cable entries . . . . .	29	RoHS . . . . .	75
Cable specification . . . . .	29	RCM marking . . . . .	75
Overtoltage protection . . . . .	30	Ex-approval . . . . .	75
<b>Performance characteristics</b> . . . . .	<b>31</b>	Dual seal according to ANSI/ISA 12.27.01 . . . . .	75
Reference operating conditions . . . . .	31	Functional safety . . . . .	75
Reference accuracy . . . . .	31	ASME B31.1 and B31.3 . . . . .	75
Resolution . . . . .	32	Pressure equipment with allowable pressure ≤ 200 bar (2 900 psi) . . . . .	75
Response time . . . . .	33	Marine approval . . . . .	76
Influence of ambient temperature . . . . .	33	Radio approval . . . . .	76
<b>Mounting</b> . . . . .	<b>34</b>	CRN approval . . . . .	76
Mounting requirements . . . . .	34	Experience . . . . .	76
<b>Environment</b> . . . . .	<b>49</b>	Test, certificate . . . . .	77
Ambient temperature . . . . .	49	Product documentation on paper . . . . .	77
Ambient temperature limits . . . . .	49	Other standards and guidelines . . . . .	78
Storage temperature . . . . .	51	<b>Ordering information</b> . . . . .	<b>79</b>
Climate class . . . . .	51	Ordering information . . . . .	79
Altitude according to IEC61010-1 Ed.3 . . . . .	52	3-point linearity protocol . . . . .	80
Degree of protection . . . . .	52	5-point linearity protocol . . . . .	81
Vibration resistance . . . . .	52	Customized parameterization . . . . .	82
Cleaning the probe . . . . .	52	Labeling (optional) . . . . .	82
Electromagnetic compatibility (EMC) . . . . .	52	<b>Application packages</b> . . . . .	<b>82</b>
<b>Process</b> . . . . .	<b>53</b>	Heartbeat Diagnostics . . . . .	82
Process temperature range . . . . .	53	Heartbeat Verification . . . . .	83

Heartbeat Monitoring . . . . .	83
<b>Accessories . . . . .</b>	<b>84</b>
Device-specific accessories . . . . .	84
Communication-specific accessories . . . . .	90
Service-specific accessories . . . . .	91
System components . . . . .	91
<b>Supplementary documentation . . . . .</b>	<b>91</b>
Brief Operating Instructions (KA) . . . . .	91
Operating Instructions (BA) . . . . .	91
Safety Instructions (XA) . . . . .	91
Functional Safety Manual (FY/SD) . . . . .	91

## Important document information

### Symbols

#### Safety symbols



This symbol alerts you to a dangerous situation. Failure to avoid this situation will result in serious or fatal injury.



This symbol alerts you to a dangerous situation. Failure to avoid this situation can result in serious or fatal injury.



This symbol alerts you to a dangerous situation. Failure to avoid this situation can result in minor or medium injury.



This symbol contains information on procedures and other facts which do not result in personal injury.

#### Electrical symbols



Direct current



Alternating current



Direct current and alternating current



#### Ground connection

A grounded terminal which, as far as the operator is concerned, is grounded via a grounding system.



#### Protective earth (PE)

Ground terminals that must be connected to ground prior to establishing any other connections. The ground terminals are located on the inside and outside of the device.

- Inner ground terminal; protective earth is connected to the mains supply.
- Outer ground terminal; device is connected to the plant grounding system.

#### Symbols for certain types of information and graphics



Procedures, processes or actions that are permitted



Procedures, processes or actions that are forbidden



Indicates additional information



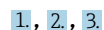
Reference to documentation



Reference to graphic



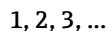
Notice or individual step to be observed



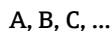
Series of steps



Result of a step



Item numbers



Views



#### Temperature resistance of the connection cables

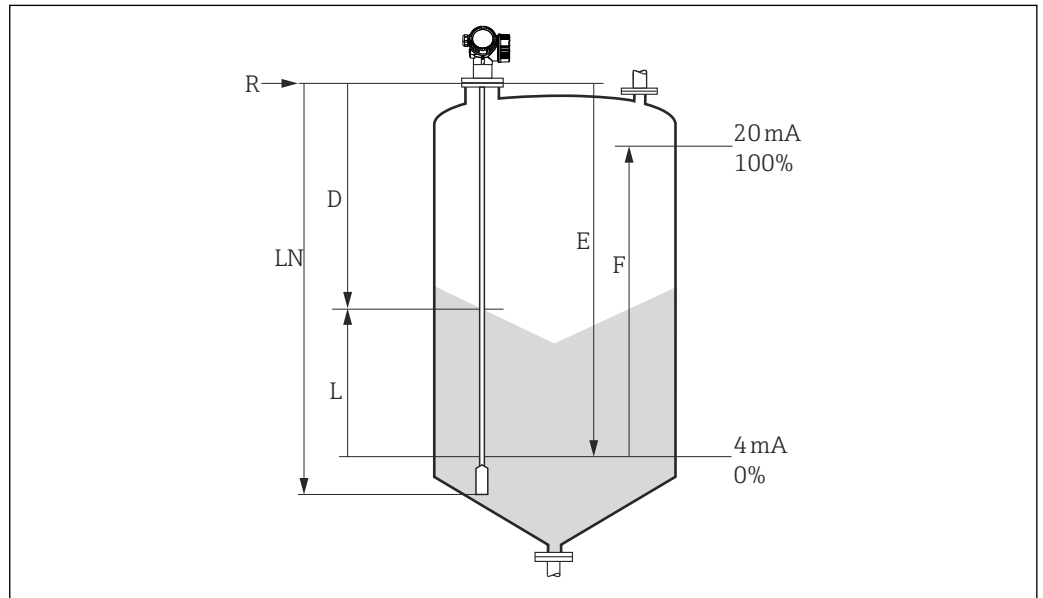
Specifies the minimum value of the temperature resistance of the connection cables

## Function and system design

### Measuring principle

#### General principles

The Levelflex is a "downward-looking" measuring system that functions according to the time-of-flight method (ToF). The distance from the reference point to the product surface is measured. High-frequency pulses are injected to a probe and led along the probe. The pulses are reflected by the product surface, received by the electronic evaluation unit and converted into level information. This method is also known as TDR (time domain reflectometry).



A0012838

1 Parameters for level measurement with guided wave radar

- LN Probe length
- D Distance
- L Level
- R Reference point of measurement
- E Empty calibration (= zero)
- F Full calibration (= span)

**i** If the  $\epsilon_r$  value is less than 7 in the case of rope probes, measurement is not possible in the area of the tensioning weight (0 to 250 mm (0 to 9.84 in) from the probe end), (lower blocking distance).

**i** The reference point **R** of the measurement is located at the process connection.

**Dielectric constant**

The dielectric constant (DC) of the medium directly affects the degree of reflection of the high-frequency pulses. In the case of large DC values, such as with water or ammonia, there is strong pulse reflection while, in the case of low DC values, such as with hydrocarbons, pulse reflection is weak.

**Input**

The reflected pulses are transmitted from the probe to the electronics. Here, a microprocessor evaluates the signals and identifies the level echo which was caused by the reflection of the high-frequency pulses at the product surface. This clear signal detection system benefits from over 30 years of experience with pulse time-of-flight procedures that have gone into the development of the PulseMaster® software.

The distance  $D$  to the product surface is proportional to the time-of-flight  $t$  of the pulse:

$$D = c \cdot t/2,$$

with  $c$  being the speed of light.

Based on the known empty distance  $E$ , the level  $L$  is calculated:

$$L = E - D$$

The Levelflex has functions for interference echo suppression that can be activated by the user. They guarantee that interference echoes from internal fixtures and struts, for example, are not interpreted as level echoes.

**Output**

The Levelflex is preadjusted at the factory to the probe length ordered so that in most cases only the application parameters that automatically adapt the device to the measuring conditions need to be entered. For models with a current output, the factory adjustment for zero point  $E$  and span  $F$  is 4 mA and 20 mA, for digital outputs and the display module 0 % and 100 %. A linearization function with max. 32 points, based on a table entered either manually or semi-automatically, can be activated locally or remotely. This function allows the level to be converted into units of volume or mass, for example.

### Life cycle of the product

#### Design

- Universal measuring principle
- Measurement is unaffected by product properties
- Hardware and software developed according to SIL IEC 61508
- Genuine, direct interface measurement

#### Procurement

- As the global market leader in level measurement, Endress+Hauser guarantees the security of your investment
- Worldwide support and service

#### Installation

- No special tools are required
- Protection against reverse polarity
- Modern, detachable terminals
- Main electronics protected by a separate connection compartment

#### Commissioning

- Fast, menu-guided commissioning in just 6 steps
- Plain text display in local language reduces the risk of error or confusion
- Direct local access to all parameters
- Printed Brief Operating Instructions in the device onsite

#### Operation

- Multi-echo tracking: Reliable measurement thanks to self-learning echo search algorithms taking into account the short-term and long-term history and plausibility of the detected signals to suppress interference echoes.
- In accordance with NAMUR NE107

#### Maintenance

- HistoROM: Data backup for device settings and measured values
- Exact device and process diagnostics to assist fast decisions with clear information regarding remedial action
- Intuitive, menu-guided operating concept in local language saves costs for training, maintenance and operation
- Cover of the electronics compartment can also be opened in the hazardous area

#### Retirement

- Order code translation for subsequent models
- RoHS-compliant (Restriction of certain Hazardous Substances), unleaded soldering of electronic components
- Environmentally friendly recycling approach

---

### Measuring system

#### General notes on probe selection

- Rope probes should normally be used for bulk solids. Rod probes are only suitable in bulk solids for short measuring ranges up to approx. 2 m (6.6 ft). This applies particularly to applications in which the probe is installed laterally at an angle and for light and pourable bulk solids.
- In the case of large silos, the lateral pressure on the rope can be so high that a rope with plastic jacketing must be used. We recommend the use of PA-coated ropes for milled products such as cereals, wheat and flour.

#### Probe selection

##### *FMP56*

For level measurement in bulk solids



A0011386

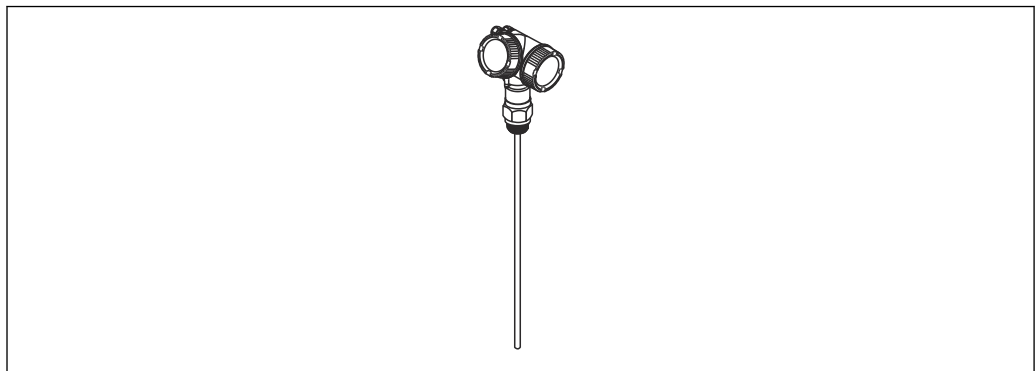
2 Rope probe with centering rod

**Rope probe**

- Maximum probe length  
12 m (40 ft)
- Material:
  - 316L
  - PA>steel
- Maximum tensile loading capacity  
12 kN

*FMP57*

For level measurement in bulk solids



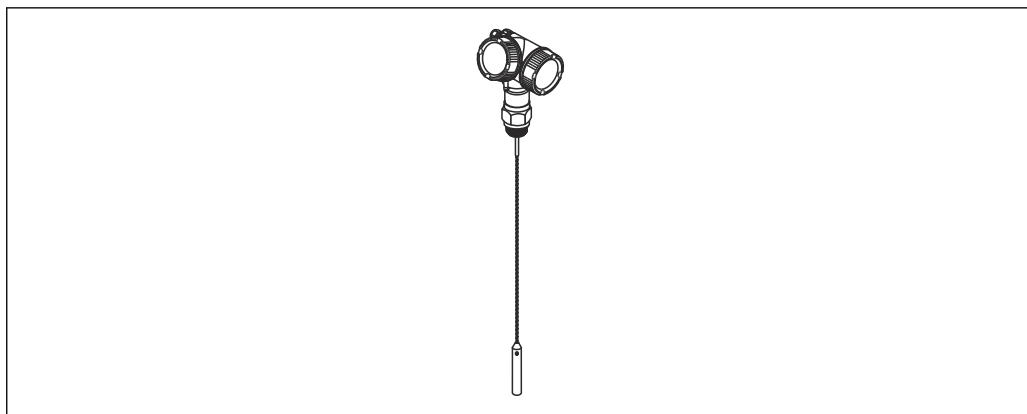
A0011387

3 Rod probe

**Rod probe**

- Maximum probe length  
4 m (13 ft)
- Material:  
316L
- Maximum tensile loading capacity  
30 kN





A0011388

4 *Rope probe with centering rod*

**Rope probe**

- Maximum probe length  
45 m (148 ft)
- Material:
  - 316L
  - PA>steel
- Maximum tensile loading capacity  
30 kN

## Input

**Measured variable** The measured variable is the distance between the reference point and the product surface.  
The level is calculated based on "E", the empty distance entered.  
Optionally, the level can be converted to other variables (volume, mass) by linearization (32 points).

**Measuring range** The following table describes the medium groups and the possible measuring range as a function of the medium group.

Levelflex FMP56				
Medium group	$\epsilon_r$	Typical bulk solids	Measuring range	
			Bare metallic Rope probes	PA-coated Rope probes
1	1.4 to 1.6	Plastic powder	12 m (39 ft) <sup>1)</sup>	–
2	1.6 to 1.9	<ul style="list-style-type: none"> <li>▪ Plastic granulate</li> <li>▪ White lime, special cement</li> <li>▪ Sugar</li> </ul>	12 m (39 ft)	12 m (39 ft)
3	1.9 to 2.5	Portland cement, plaster	12 m (39 ft)	–
		Flour	–	12 m (39 ft)
4	2.5 to 4	Grain, seeds	–	12 m (39 ft)
		<ul style="list-style-type: none"> <li>▪ Ground stones</li> <li>▪ Sand</li> </ul>	12 m (39 ft)	12 m (39 ft)
5	4 to 7	<ul style="list-style-type: none"> <li>▪ Naturally moist (ground) stones, ores</li> <li>▪ Salt</li> </ul>	12 m (39 ft)	12 m (39 ft)
6	> 7	<ul style="list-style-type: none"> <li>▪ Metal powder</li> <li>▪ Carbon black</li> <li>▪ Coal dust</li> </ul>	12 m (39 ft)	12 m (39 ft)

1) Restriction: The measuring range may be reduced for media with strong signal damping, e.g. milled products, wheat bran or silicic acid.

Levelflex FMP57					
Medium group	$\epsilon_r$	Typical bulk solids	Measuring range		
			Bare metallic Rod probes	Bare metallic Rope probes	PA-coated Rope probes
1	1.4 to 1.6	Plastic powder	4 m (13 ft) <sup>1)</sup>	20 to 25 m (66 to 82 ft) <sup>1)</sup>	–
2	1.6 to 1.9	<ul style="list-style-type: none"> <li>▪ Plastic granulate</li> <li>▪ White lime, special cement</li> <li>▪ Sugar</li> </ul>	4 m (13 ft)	25 to 30 m (82 to 98 ft)	12.5 to 15 m (41 to 49 ft)
3	1.9 to 2.5	Portland cement, plaster	4 m (13 ft)	30 to 45 m (98 to 148 ft)	–
		Flour	4 m (13 ft)	–	15 to 25 m (49 to 82 ft)
4	2.5 to 4	Grain, seeds	4 m (13 ft)	–	25 to 35 m (82 to 115 ft)
		<ul style="list-style-type: none"> <li>▪ Ground stones</li> <li>▪ Sand</li> </ul>	4 m (13 ft)	45 m (148 ft)	25 to 35 m (82 to 115 ft)
5	4 to 7	<ul style="list-style-type: none"> <li>▪ Naturally moist (ground) stones, ores</li> <li>▪ Salt</li> </ul>	4 m (13 ft)	45 m (148 ft)	35 to 36 m (115 to 118 ft)
6	> 7	<ul style="list-style-type: none"> <li>▪ Metal powder</li> <li>▪ Carbon black</li> <li>▪ Coal dust</li> </ul>	4 m (13 ft)	45 m (148 ft)	36 to 45 m (118 to 148 ft)

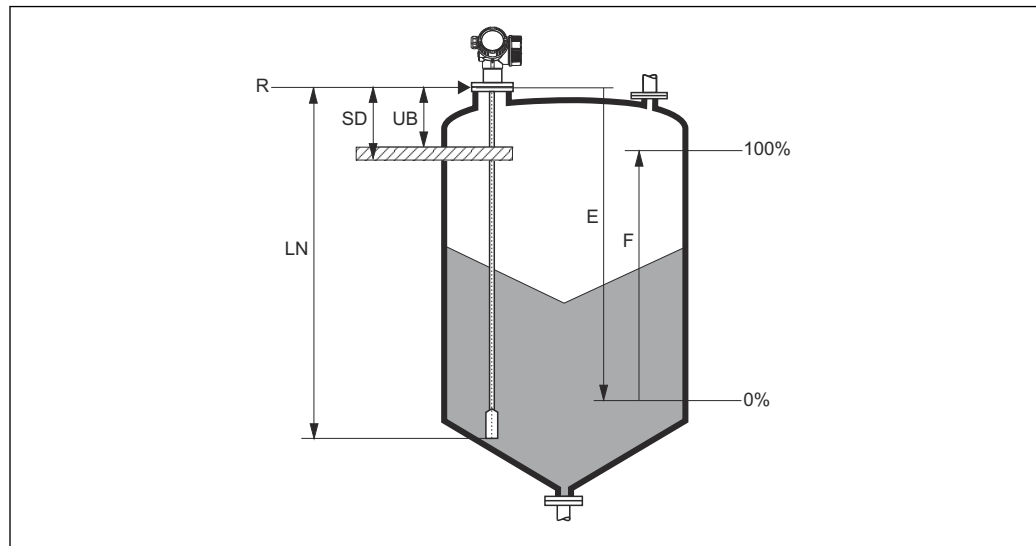
1) Restriction: The measuring range may be reduced for media with strong signal damping, e.g. milled products, wheat bran or silicic acid.



- The formation of buildup, particularly of moist products, can reduce the maximum possible measuring range.
- For very loose or loosened bulk solids, the lower group applies in each case.

**Blocking distance**

The upper blocking distance (= UB) is the minimum distance from the reference point of the measurement (mounting flange) to the maximum level.



A0013628

5 Definition of blocking distance and safety distance

- R Reference point of measurement  
 LN Probe length  
 UB Upper blocking distance  
 E Empty calibration (= zero)  
 F Full calibration (= span)  
 SD Safety distance

Blocking distance (factory setting):

- For rod and rope probes up to 8 m (26 ft): 200 mm (8 in)
- For rod and rope probes over 8 m (26 ft):  $0.025 \times$  probe length

**i** The specified blocking distances are factory-preset on delivery. These settings can be changed depending on the application.

For rod and rope probes, the blocking distance can generally be reduced to 100 mm (4 in) for media with DC > 7.

No blocking distance applies for applications in a bypass/stilling well.

A reliable measurement cannot be guaranteed within the blocking distance.

**i** A safety distance SD can be defined in addition to the blocking distance. The device generates a warning if the level rises to enter this safety distance.

**Measuring frequency spectrum**

100 MHz to 1.5 GHz

## Output

### Output signal

#### HART

- Signal coding:  
FSK  $\pm 0.5$  mA over current signal
- Data transmission rate:  
1 200 Bit/s
- Galvanic isolation:  
Yes

#### Bluetooth® wireless technology

- Device version:  
Order code 610 "Accessory mounted", option NF "Bluetooth"
- Operation / configuration:  
Via the *SmartBlue* app
- Range under reference conditions:  
> 10 m (33 ft)
- Encryption:  
Encrypted communication and password encryption prevent incorrect operation by unauthorized persons

#### PROFIBUS PA

- Signal coding:  
Manchester Bus Powered (MBP)
- Data transmission rate:  
31.25 kBit/s, Voltage mode
- Galvanic isolation:  
Yes

#### FOUNDATION Fieldbus

- Signal coding:  
Manchester Bus Powered (MBP)
- Data transmission rate:  
31.25 kBit/s, Voltage mode
- Galvanic isolation:  
Yes

#### Switch output



For HART devices, the switch output is available as an option.

- Function:  
Open collector switch output
- Switching behavior:  
Binary (conductive or non-conductive), switches when the programmable switch-on point/switch-off point is reached
- Failure mode:  
Non-conductive
- Electrical connection data:  
 $U = 16$  to  $35$  V<sub>DC</sub>,  $I = 0$  to  $40$  mA
- Internal resistor:  
 $R_i < 880$   $\Omega$   
The voltage drop at this internal resistor must be taken into account when planning the configuration. For example, the resulting voltage at a connected relay must be sufficient to switch the relay.
- Insulation voltages:  
Floating, insulation voltage  $1\,350$  V<sub>DC</sub> in relation to power supply and  $500$  V<sub>AC</sub> ground
- Switch point:  
User-programmable, separate for switch-on point and switch-off point
- Switching delay:  
User-programmable in the 0 to 100 s range, separate for switch-on point and switch-off point

- Scan rate:  
Corresponds to the measuring cycle
- Signal source / device variables:
  - Level linearized
  - Distance
  - Terminal voltage
  - Electronic temperature
  - Relative echo amplitude
  - Diagnostic values, advanced diagnostic blocks
  - Only for active interface measurement
- Number of switch cycles:  
Unlimited

**Signal on alarm**

Depending on the interface, failure information is displayed as follows:

- Current output
  - Choice of failure mode (in accordance with NAMUR Recommendation NE 43):  
Minimum alarm: 3.6 mA  
Maximum alarm (= factory setting): 22 mA
  - Failure mode with user-configurable value: 3.59 to 22.5 mA
- Local display
  - Status signal (as per NAMUR Recommendation NE 107)
  - Plain text display
- Operating tool via digital communication (HART, PROFIBUS PA, FOUNDATION Fieldbus) or service interface (CDI)
  - Status signal (as per NAMUR Recommendation NE 107)
  - Plain text display

**Linearization**

The device's linearization function allows the user to convert the measured value to any length or volume units. Linearization tables for calculating the volume in cylindrical vessels are preprogrammed into the device. Other tables of up to 32 value pairs can be entered manually or semi-automatically.

**Galvanic isolation**

All circuits for the outputs are galvanically isolated from each other.

**Protocol-specific data**

**HART**

Manufacturer ID	17 (0x11)
Device type ID	0x1122
HART specification	7.0
Device description files (DTM, DD)	Information and files under: <ul style="list-style-type: none"> <li>▪ <a href="http://www.endress.com">www.endress.com</a></li> <li>▪ <a href="http://www.fieldcommgroup.org">www.fieldcommgroup.org</a></li> </ul>
HART load	min. 250 Ω
HART device variables	The measured values can be freely assigned to the device variables. <p><b>Measured values for PV (primary variable)</b></p> <ul style="list-style-type: none"> <li>▪ Level linearized</li> <li>▪ Distance</li> <li>▪ Electronic temperature</li> <li>▪ Relative echo amplitude</li> </ul> <p><b>Measured values for SV, TV, QV (second, third and fourth variable)</b></p> <ul style="list-style-type: none"> <li>▪ Level linearized</li> <li>▪ Distance</li> <li>▪ Terminal voltage</li> <li>▪ Electronic temperature</li> <li>▪ Absolute echo amplitude</li> <li>▪ Relative echo amplitude</li> <li>▪ Calculated <math>\epsilon_r</math> value</li> </ul>
Supported functions	<ul style="list-style-type: none"> <li>▪ Burst mode</li> <li>▪ Additional transmitter status</li> </ul>

**Wireless HART data**

Minimum starting voltage	17.5 V
Start-up current	4 mA
Starting time	80 s
Minimum operating voltage	17.5 V
Multidrop current	4.0 mA
Time for connection setup	30 s

**PROFIBUS PA**

Manufacturer ID	17 (0x11)
Ident number	0x1558
Profile version	3.02
GSD file	Information and files under:
GSD file version	<ul style="list-style-type: none"> <li>▪ <a href="http://www.endress.com">www.endress.com</a></li> <li>▪ <a href="http://www.profibus.org">www.profibus.org</a></li> </ul>
Output values	<p><b>Analog Input:</b></p> <ul style="list-style-type: none"> <li>▪ Level linearized</li> <li>▪ Distance</li> <li>▪ Terminal voltage</li> <li>▪ Electronic temperature</li> <li>▪ Absolute echo amplitude</li> <li>▪ Relative echo amplitude</li> <li>▪ Calculated <math>\epsilon_r</math> value</li> </ul> <p><b>Digital Input:</b></p> <ul style="list-style-type: none"> <li>▪ Extended diagnostic blocks</li> <li>▪ Status output PFS Block</li> </ul>
Input values	<p><b>Analog Output:</b></p> <ul style="list-style-type: none"> <li>▪ Analog value from PLC (for sensor block, external pressure and temperature)</li> <li>▪ Analog value from PLC to be indicated on the display</li> </ul> <p><b>Digital Output:</b></p> <ul style="list-style-type: none"> <li>▪ Extended diagnostic block</li> <li>▪ Level Limiter</li> <li>▪ Sensor Block Measurement On</li> <li>▪ Sensor Block Save History On</li> <li>▪ Status output</li> </ul>
Supported functions	<ul style="list-style-type: none"> <li>▪ Identification &amp; Maintenance Simple device identification via control system and nameplate</li> <li>▪ Automatic Ident Number Adoption GSD compatibility mode with predecessor Levelflex M FMP4x</li> <li>▪ Physical Layer Diagnostics Installation check of the PROFIBUS segment and the Levelflex M FMP4x using terminal voltage and message monitoring</li> <li>▪ PROFIBUS upload/download Reading and writing parameters is up to ten times faster with PROFIBUS upload/download</li> <li>▪ Condensed status Simplest and self-explanatory diagnostic information by categorizing diagnostic messages that occur</li> </ul>

**FOUNDATION Fieldbus**

Manufacturer ID	0x452B48
Device type	0x1028
Device revision	0x01
DD revision	Information and files under:
CFF revision	<ul style="list-style-type: none"> <li>▪ <a href="http://www.endress.com">www.endress.com</a></li> <li>▪ <a href="http://www.fieldcommgroup.org">www.fieldcommgroup.org</a></li> </ul>
Device Tester Version (ITK version)	6.0.1
ITK Test Campaign Number	IT085300
Link Master capability (LAS)	Yes
Choice of "Link Master" and "Basic Device"	Yes; Factory setting: Basic Device
Node address	Factory setting: 247 (0xF7)



Supported functions	The following methods are supported: <ul style="list-style-type: none"> <li>■ Restart</li> <li>■ ENP Restart</li> <li>■ Setup</li> <li>■ Linearization</li> <li>■ Self Check</li> </ul>
<b>Virtual Communication Relationships (VCRs)</b>	
Number of VCRs	44
Number of link objects in VFD	50
Permanent entries	1
Client VCRs	0
Server VCRs	10
Source VCRs	43
Sink VCRs	0
Subscriber VCRs	43
Publisher VCRs	43
<b>Device Link Capabilities</b>	
Slot time	4
Min. delay between PDU	8
Max. response delay	20

*Transducer Blocks*

Block	Contents	Output values
Setup Transducer Block	Contains all the parameters for standard commissioning	<ul style="list-style-type: none"> <li>■ Level or volume (channel 1) (depending on the block configuration)</li> <li>■ Distance (channel 2)</li> </ul>
Advanced Setup Transducer Block	Contains all the parameters for more accurate measurement configuration	No output values
Display Transducer Block	Contains parameters to configure the onsite display	No output values
Diagnostic Transducer Block	Contains diagnostic information	No output values
Advanced Diagnostic Transducer Block	Contains parameters for advanced diagnostics	No output values
Expert Configuration Transducer Block	Contains parameters that require the user to have in-depth knowledge of the operation of the device in order to configure the parameters appropriately	No output values
Expert Information Transducer Block	Contains parameters that provide information about the state of the device	No output values
Service Sensor Transducer Block	Contains parameters that can only be accessed by Endress+Hauser Service	No output values
Service Information Transducer Block	Contains parameters that provide Endress+Hauser Service with information about the state of the device	No output values
Data Transfer Transducer Block	Contains parameters for backing up the device configuration in the display module and for writing the saved configuration to the device. Access to these parameters is reserved for Endress+Hauser Service.	No output values

## Function blocks

Block	Contents	Number of permanent blocks	Number of instantiatable blocks	Execution time	Functionality
Resource Block	The Resource Block contains all the data that uniquely identify the device. It is an electronic version of a nameplate of the device.	1	0	-	Enhanced
Analog Input Block	The AI Block receives the measuring data from the Sensor Block (selectable via a channel number), and makes the data available to other blocks at its output.	2	3	25 ms	Enhanced
Discrete Input Block	The Discrete Input Block receives a discrete value (e.g. indicator that measuring range has been exceeded) and makes the value available for other blocks at the output.	1	2	20 ms	Standard
Multiple Analog Output Block	The Multiple Analog Output Block is used to transmit analog values from the bus to the device.	1	0	20 ms	Standard
Multiple Discrete Output Block	The Multiple Discrete Output Block is used to transmit discrete values from the bus to the device.	1	0	20 ms	Standard
PID Block	The PID Block is used as a proportional-integral-derivative controller and can be used universally for closed-loop-control in the field. It enables cascade mode and feedforward control.	1	1	25 ms	Standard
Arithmetic Block	The Arithmetic Block is designed to permit simple use of popular measurement math functions. The user does not have to know how to write equations. The math algorithm is selected by name, chosen by the user for the function to be performed.	1	1	25 ms	Standard
Signal Characterizer Block	The Signal Characterizer Block has two sections, each with an output value that is a non-linear function of the input value. The non-linear function is generated by a single look-up table with 21 arbitrary x-y pairs.	1	1	25 ms	Standard
Input Selector Block	The Input Selector Block facilitates the selection of up to four inputs and generates an output value based on the configured action. This block normally receives its inputs from AI Blocks. The block enables the selection of maximum, minimum, average and 'first good' values.	1	1	25 ms	Standard

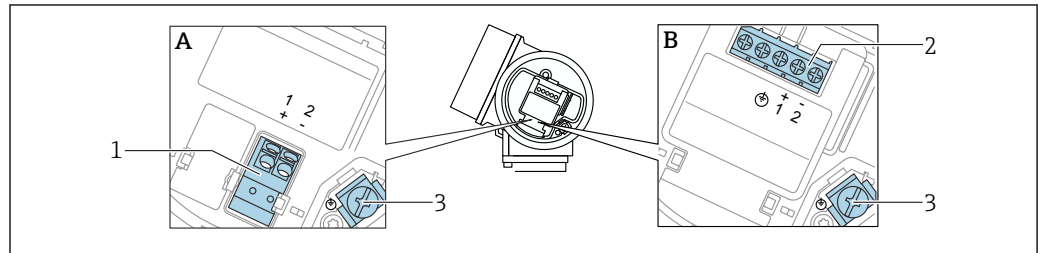
Block	Contents	Number of permanent blocks	Number of instantiatable blocks	Execution time	Functionality
Integrator Block	The Integrator Block integrates a variable as a function of the time or accumulates the counts from a Pulse Input Block. The Block can be used as a totalizer that totalizes until a reset, or as a batch totalizer whereby the integrated value is compared against a target value generated before or during the control routine and generates a binary signal when the target value is reached.	1	1	25 ms	Standard
Analog Alarm Block		1	1	25 ms	Standard

 Up to 20 blocks can be instantiated in the device altogether, including the blocks already instantiated.

# Power supply

## Terminal assignment

### Terminal assignment, 2-wire: 4 to 20 mA HART



A0036498

#### 6 Terminal assignment, 2-wire: 4 to 20 mA HART

A Without integrated overvoltage protection

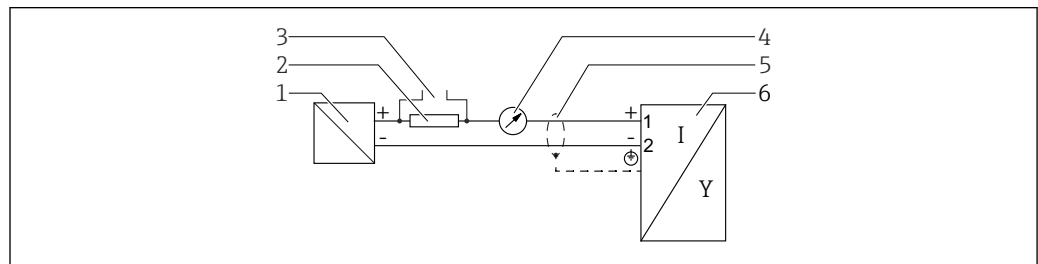
B With integrated overvoltage protection

1 Connection 4 to 20 mA, HART passive: terminals 1 and 2, without integrated overvoltage protection

2 Connection 4 to 20 mA, HART passive: terminals 1 and 2, with integrated overvoltage protection

3 Terminal for cable shield

### Block diagram, 2-wire: 4 to 20 mA HART



A0036499

#### 7 Block diagram, 2-wire: 4 to 20 mA HART

1 Active barrier for power supply (e.g. RN221N); observe terminal voltage

2 Resistor for HART communication ( $\geq 250 \Omega$ ); observe maximum load

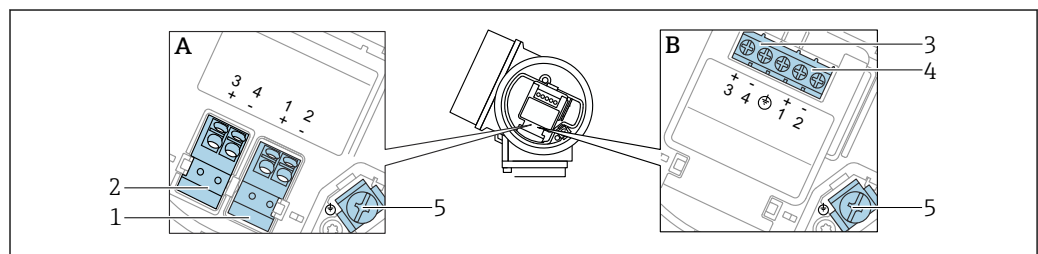
3 Connection for Commubox FXA195 or FieldXpert SFX350/SFX370 (via VIATOR Bluetooth modem)

4 Analog display unit; observe maximum load

5 Cable screen; observe cable specification

6 Measuring device

### Terminal assignment, 2-wire: 4 to 20 mA HART, switch output



A0036500

#### 8 Terminal assignment, 2-wire: 4 to 20 mA HART, switch output

A Without integrated overvoltage protection

B With integrated overvoltage protection

1 Connection 4 to 20 mA, HART passive: terminals 1 and 2, without integrated overvoltage protection

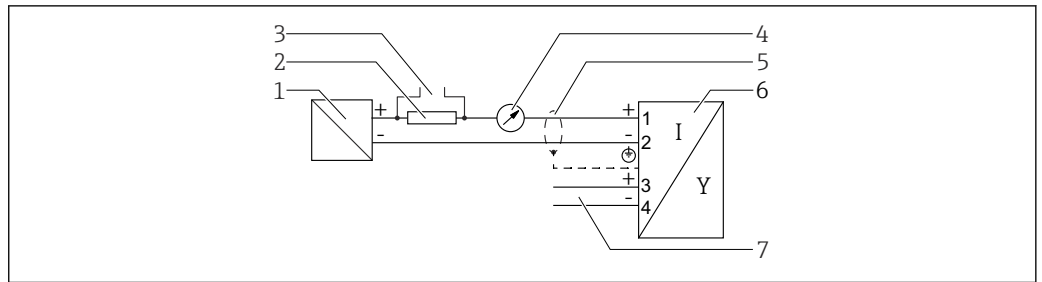
2 Connection, switch output (open collector): terminals 3 and 4, without integrated overvoltage protection

3 Connection, switch output (open collector): terminals 3 and 4, with integrated overvoltage protection

4 Connection 4 to 20 mA, HART passive: terminals 1 and 2, with integrated overvoltage protection

5 Terminal for cable shield

**Block diagram, 2-wire: 4 to 20 mA HART, switch output**

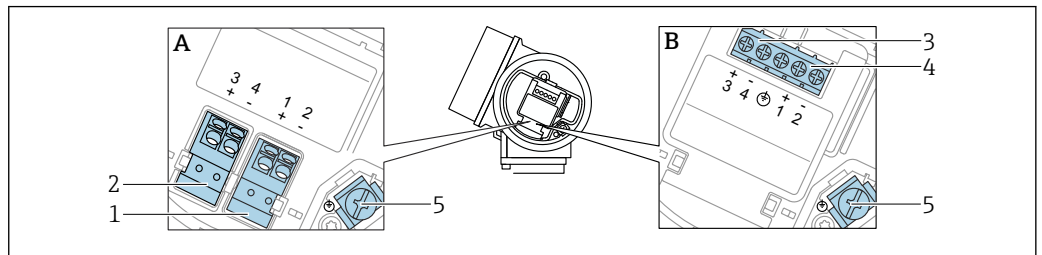


A0036501

9 Block diagram, 2-wire: 4 to 20 mA HART, switch output

- 1 Active barrier for power supply (e.g. RN221N); observe terminal voltage
- 2 Resistor for HART communication ( $\geq 250 \Omega$ ); observe maximum load
- 3 Connection for Commubox FXA195 or FieldXpert SFX350/SFX370 (via VIATOR Bluetooth modem)
- 4 Analog display unit; observe maximum load
- 5 Cable screen; observe cable specification
- 6 Measuring device
- 7 Switch output (open collector)

**Terminal assignment, 2-wire: 4 to 20 mA HART, 4 to 20 mA**

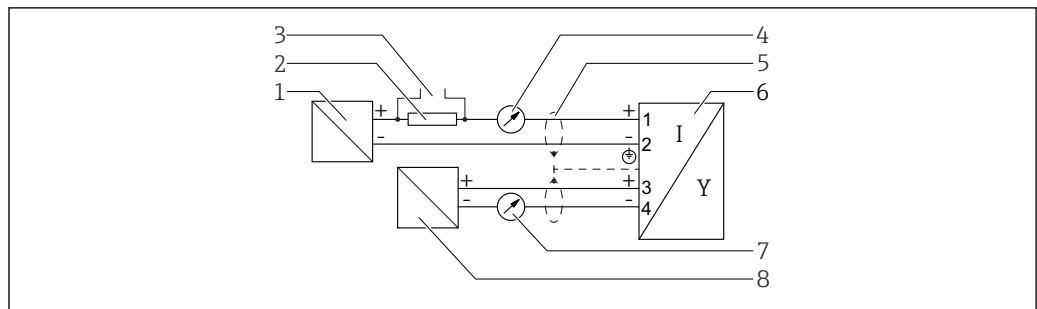


A0036500

10 Terminal assignment, 2-wire: 4 to 20 mA HART, 4 to 20 mA

- A Without integrated overvoltage protection
- B With integrated overvoltage protection
- 1 Connection current output 1, 4 to 20 mA HART passive: terminals 1 and 2, without integrated overvoltage protection
- 2 Connection current output 2, 4 to 20 mA: terminals 3 and 4, without integrated overvoltage protection
- 3 Connection current output 2, 4 to 20 mA: terminals 3 and 4, with integrated overvoltage protection
- 4 Connection current output 1, 4 to 20 mA HART passive: terminals 1 and 2, with integrated overvoltage protection
- 5 Terminal for cable shield

**Block diagram, 2-wire: 4 to 20 mA HART, 4 to 20 mA**

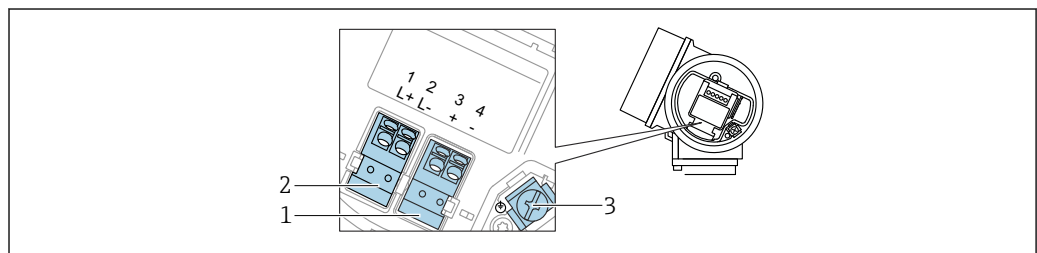


A0036502

11 Block diagram, 2-wire: 4 to 20 mA HART, 4 to 20 mA

- 1 Active barrier for power supply (e.g. RN221N), current output 1; observe terminal voltage
- 2 Resistor for HART communication ( $\geq 250 \Omega$ ); observe maximum load
- 3 Connection for Commubox FXA195 or FieldXpert SFX350/SFX370 (via VIATOR Bluetooth modem)
- 4 Analog display unit; observe maximum load
- 5 Cable screen; observe cable specification
- 6 Measuring device
- 7 Analog display unit; observe maximum load
- 8 Active barrier for power supply (e.g. RN221N), current output 2; observe terminal voltage

**Terminal assignment, 4-wire: 4 to 20 mA HART (10.4 to 48 V<sub>DC</sub>)**

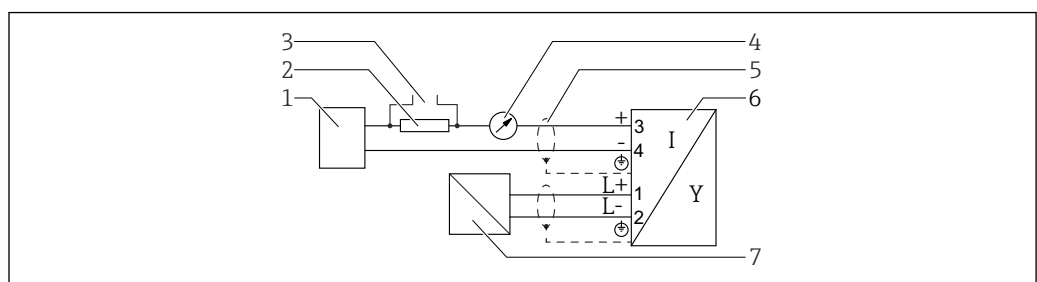


A0036516

12 Terminal assignment, 4-wire: 4 to 20 mA HART (10.4 to 48 V<sub>DC</sub>)

- 1 Connection 4 to 20 mA HART (active): terminals 3 and 4
- 2 Connection, supply voltage: terminals 1 and 2
- 3 Terminal for cable shield

**Block diagram, 4-wire: 4 to 20 mA HART (10.4 to 48 V<sub>DC</sub>)**

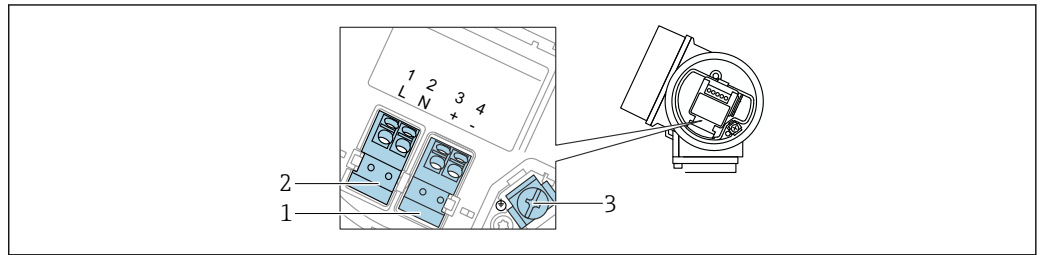


A0036526

13 Block diagram, 4-wire: 4 to 20 mA HART (10.4 to 48 V<sub>DC</sub>)

- 1 Evaluation unit, e.g. PLC
- 2 Resistor for HART communication ( $\geq 250 \Omega$ ); observe maximum load
- 3 Connection for Commubox FXA195 or FieldXpert SFX350/SFX370 (via VIATOR Bluetooth modem)
- 4 Analog display unit; observe maximum load
- 5 Cable screen; observe cable specification
- 6 Measuring device
- 7 Supply voltage; observe terminal voltage, observe cable specification

**Terminal assignment, 4-wire: 4 to 20 mA HART (90 to 253 V<sub>AC</sub>)**



A0036519

**14** Terminal assignment, 4-wire: 4 to 20 mA HART (90 to 253 V<sub>AC</sub>)

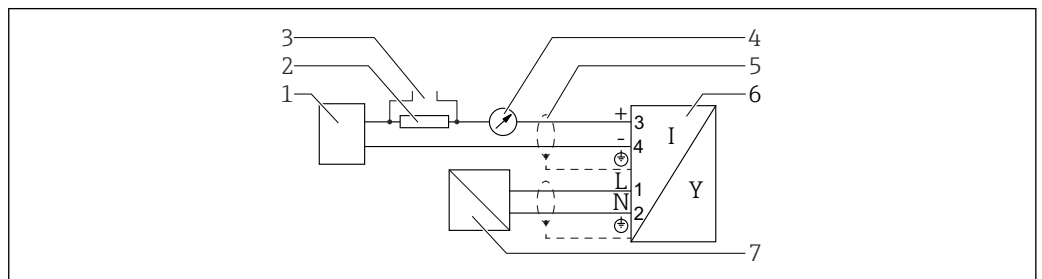
- 1 Connection 4 to 20 mA HART (active): terminals 3 and 4
- 2 Connection, supply voltage: terminals 1 and 2
- 3 Terminal for cable shield

**CAUTION**

**To ensure electrical safety:**

- ▶ Do not disconnect the protective ground connection.
- ▶ Disconnect the device from the supply voltage before disconnecting the protective ground.
- i** Connect protective ground to the inner ground terminal (3) before connecting the supply voltage. If necessary, connect the potential matching line to the outer ground terminal.
- i** In order to ensure electromagnetic compatibility (EMC): do **not** ground the device exclusively via the protective ground conductor of the supply cable. Instead, the functional grounding must also be connected to the process connection (flange or threaded connection) or to the external ground terminal.
- i** An easily accessible power switch must be installed in the proximity of the device. The power switch must be marked as a disconnecter for the device (IEC/EN61010).

**Block diagram, 4-wire: 4 to 20 mA HART (90 to 253 V<sub>AC</sub>)**

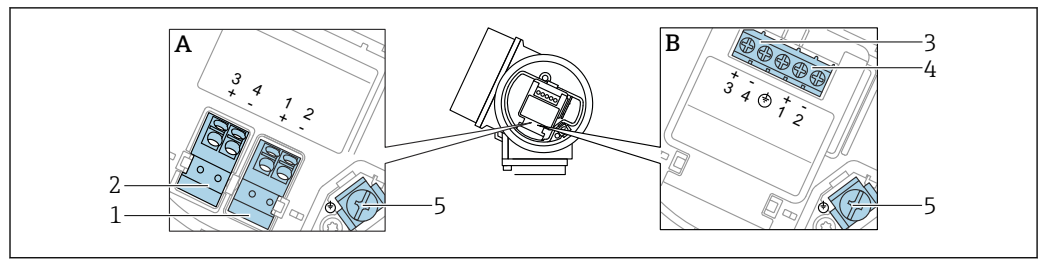


A0036527

**15** Block diagram, 4-wire: 4 to 20 mA HART (90 to 253 V<sub>AC</sub>)

- 1 Evaluation unit, e.g. PLC
- 2 Resistor for HART communication ( $\geq 250 \Omega$ ); observe maximum load
- 3 Connection for Commubox FXA195 or FieldXpert SFX350/SFX370 (via VIATOR Bluetooth modem)
- 4 Analog display unit; observe maximum load
- 5 Cable screen; observe cable specification
- 6 Measuring device
- 7 Supply voltage; observe terminal voltage, observe cable specification

**Terminal assignment PROFIBUS PA / FOUNDATION Fieldbus**



A0036500

**16** Terminal assignment PROFIBUS PA / FOUNDATION Fieldbus

A Without integrated overvoltage protection

B With integrated overvoltage protection

1 Connection, PROFIBUS PA / FOUNDATION Fieldbus: terminals 1 and 2, without integrated overvoltage protection

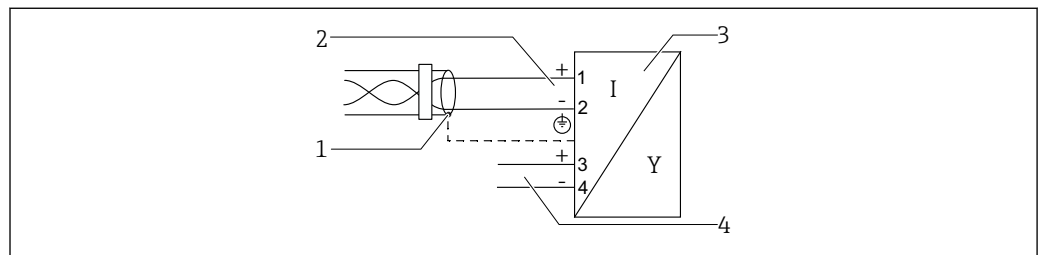
2 Connection, switch output (open collector): terminals 3 and 4, without integrated overvoltage protection

3 Connection, switch output (open collector): terminals 3 and 4, with integrated overvoltage protection

4 Connection, PROFIBUS PA / FOUNDATION Fieldbus: terminals 1 and 2, with integrated overvoltage protection

5 Terminal for cable shield

**Block diagram PROFIBUS PA / FOUNDATION Fieldbus**



A0036530

**17** Block diagram PROFIBUS PA / FOUNDATION Fieldbus

1 Cable screen; observe cable specification

2 Connection PROFIBUS PA / FOUNDATION Fieldbus

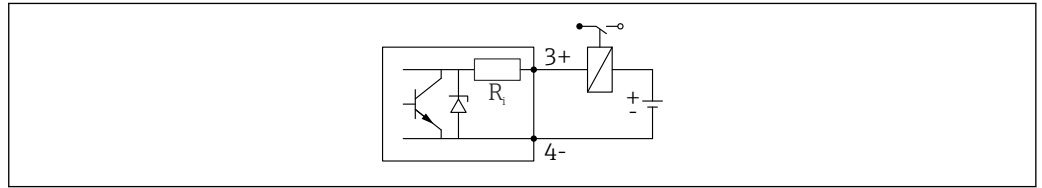
3 Measuring device

4 Switch output (open collector)



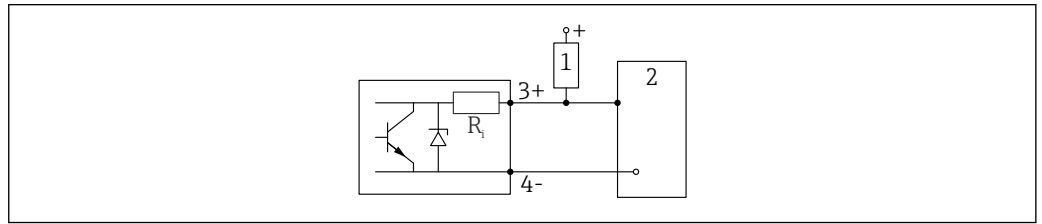
**Connection examples for the switch output**

**i** For HART devices, the switch output is available as an option.



A0015909

**18** Connection of a relay



A0015910

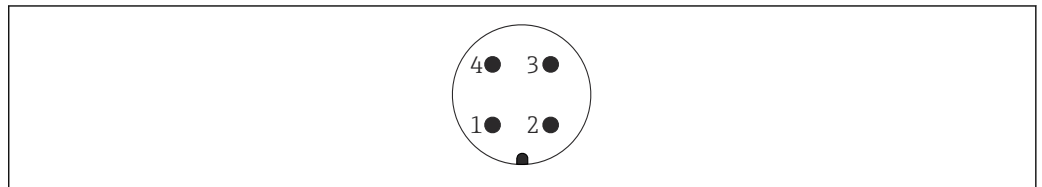
**19** Connection to a digital input

- 1 Pull-up resistor
- 2 Digital input

**i** For optimum interference immunity we recommend to connect an external resistor (internal resistance of the relay or pull-up resistor) of < 1 000 Ω.

**Device plug**

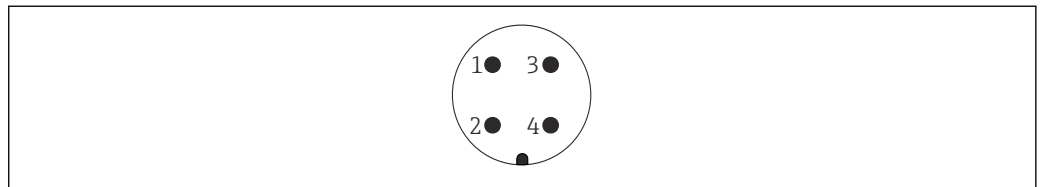
**i** In the case of the device versions with a plug, the housing does not need to be opened to connect the signal cable.



A0011175

**20** Pin assignment of M12 plug

- 1 Signal +
- 2 Not assigned
- 3 Signal -
- 4 Ground



A0011176

**21** Pin assignment of 7/8" plug

- 1 Signal -
- 2 Signal +
- 3 Not assigned
- 4 Shielding

**Supply voltage**

An external power supply is necessary.

**i** Various power supply units can be ordered from Endress+Hauser.

2-wire, 4-20mA HART, passive

2-wire; 4-20mA HART<sup>1)</sup>

"Approval" <sup>2)</sup>	Terminal voltage U at device	Maximum load R, depending on the supply voltage U <sub>0</sub> of the power supply unit
<ul style="list-style-type: none"> <li>▪ Non-hazardous</li> <li>▪ Ex nA</li> <li>▪ Ex ic</li> <li>▪ CSA GP</li> </ul>	11.5 to 35 V <sup>3) 4)</sup>	<p style="text-align: right; font-size: small;">A0035511</p>
Ex ia / IS	11.5 to 30 V <sup>4)</sup>	
<ul style="list-style-type: none"> <li>▪ Ex d / XP</li> <li>▪ Ex ic[ia]</li> <li>▪ Ex tD / DIP</li> </ul>	13.5 to 30 V <sup>4) 5)</sup>	<p style="text-align: right; font-size: small;">A0034969</p>

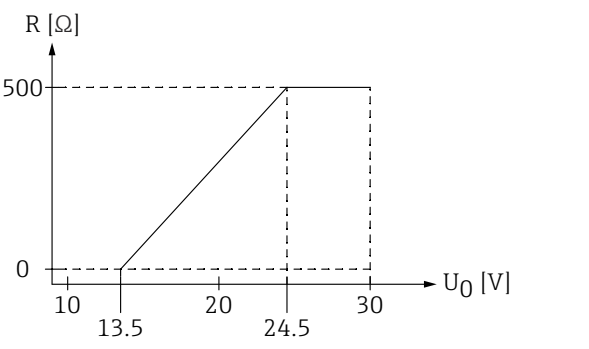
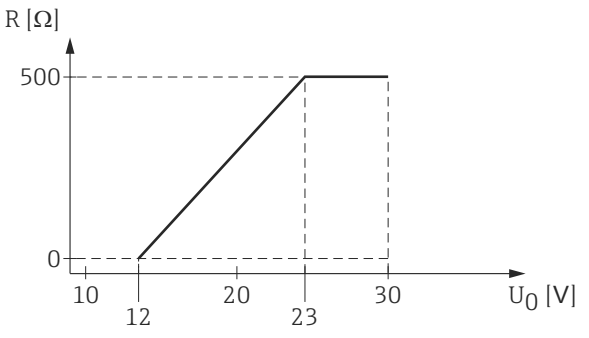
- 1) Feature 020 in the product structure: option A
- 2) Feature 010 in the product structure
- 3) At ambient temperatures T<sub>a</sub> ≤ -30 °C, a terminal voltage U ≥ 14 V is required to start the device with the minimum failure current (3.6 mA). At ambient temperatures T<sub>a</sub> > 60 °C, a terminal voltage U ≥ 12 V is required to start the device with the minimum failure current (3.6 mA). The start-up current can be configured. If the device is operated with a fixed current I ≥ 4.5 mA (HART Multidrop mode), a voltage U ≥ 11.5 V in the entire ambient temperature range suffices.
- 4) If the Bluetooth module is used, the minimum supply voltage increases by 2 V.
- 5) At ambient temperatures T<sub>a</sub> ≤ -30 °C, a terminal voltage U ≥ 16 V is required to start the device with the minimum failure current (3.6 mA).

2-wire; 4-20 mA HART, switch output<sup>1)</sup>

"Approval" <sup>2)</sup>	Terminal voltage U at device	Maximum load R, depending on the supply voltage U <sub>0</sub> of the power supply unit
<ul style="list-style-type: none"> <li>▪ Non-hazardous</li> <li>▪ Ex nA</li> <li>▪ Ex nA(ia)</li> <li>▪ Ex ic</li> <li>▪ Ex ic[ia]</li> <li>▪ Ex d[ia] / XP</li> <li>▪ Ex ta / DIP</li> <li>▪ CSA GP</li> </ul>	13.5 to 35 V <sup>3) 4)</sup>	<p style="text-align: right; font-size: small;">A0034971</p>
<ul style="list-style-type: none"> <li>▪ Ex ia / IS</li> <li>▪ Ex ia + Ex d[ia] / IS + XP</li> </ul>	13.5 to 30 V <sup>3) 4)</sup>	

- 1) Feature 020 in the product structure: option B
- 2) Feature 010 in the product structure
- 3) At ambient temperatures T<sub>a</sub> ≤ -30 °C, a terminal voltage U ≥ 16 V is required to start the device with the minimum failure current (3.6 mA).
- 4) If the Bluetooth module is used, the minimum supply voltage increases by 2 V.

2-wire; 4-20mA HART, 4-20mA <sup>1)</sup>

"Approval" <sup>2)</sup>	Terminal voltage U at device	Maximum load R, depending on the supply voltage U <sub>0</sub> of the power supply unit
All	<b>Channel 1:</b> 13.5 to 30 V <sup>3) 4) 5)</sup>	 <p style="text-align: right; font-size: small;">A0034969</p>
	<b>Channel 2:</b> 12 to 30 V	 <p style="text-align: right; font-size: small;">A0022583</p>

- 1) Feature 020 in the product structure: option C
- 2) Feature 010 in the product structure
- 3) At ambient temperatures  $T_a \leq -30\text{ °C}$ , a terminal voltage  $U \geq 16\text{ V}$  is required to start the device with the minimum failure current (3.6 mA).
- 4) At ambient temperatures  $T_a \leq -40\text{ °C}$ , the maximum terminal voltage must be limited to  $U \leq 28\text{ V}$ .
- 5) If the Bluetooth module is used, the minimum supply voltage increases by 2 V.

<b>Integrated polarity reversal protection</b>	Yes
<b>Permitted residual ripple with f = 0 to 100 Hz</b>	$U_{SS} < 1\text{ V}$
<b>Permitted residual ripple with f = 100 to 10000 Hz</b>	$U_{SS} < 10\text{ mV}$

**4-wire, 4-20mA HART, active**

"Power supply; output" <sup>1)</sup>	Terminal voltage U	Maximum load R <sub>max</sub>
<b>K:</b> 4-wire 90-253VAC; 4-20mA HART	90 to 253 V <sub>AC</sub> (50 to 60 Hz), overvoltage category II	500 Ω
<b>L:</b> 4-wire 10.4-48VDC; 4-20mA HART	10.4 to 48 V <sub>DC</sub>	

1) Feature 020 in the product structure

**PROFIBUS PA, FOUNDATION Fieldbus**

"Power supply; output" <sup>1)</sup>	"Approval" <sup>2)</sup>	Terminal voltage
<b>E:</b> 2-wire; FOUNDATION Fieldbus, switch output <b>G:</b> 2-wire; PROFIBUS PA, switch output	<ul style="list-style-type: none"> <li>▪ Non-hazardous</li> <li>▪ Ex nA</li> <li>▪ Ex nA[ia]</li> <li>▪ Ex ic</li> <li>▪ Ex ic[ia]</li> <li>▪ Ex d[ia] / XP</li> <li>▪ Ex ta / DIP</li> <li>▪ CSA GP</li> </ul>	9 to 32 V <sup>3)</sup>
	<ul style="list-style-type: none"> <li>▪ Ex ia / IS</li> <li>▪ Ex ia + Ex d[ia] / IS + XP</li> </ul>	9 to 30 V <sup>3)</sup>

- 1) Feature 020 in the product structure
- 2) Feature 010 in the product structure
- 3) Input voltages up to 35 V do not destroy the device.

<b>Polarity-dependent</b>	No
<b>FISCO/FNICO compliant according to IEC 60079-27</b>	Yes

**Power consumption**

"Power supply; Output" <sup>1)</sup>	Power consumption
<b>A:</b> 2-wire; 4-20mA HART	< 0.9 W
<b>B:</b> 2-wire; 4-20mA HART, switch output	< 0.9 W
<b>C:</b> 2-wire; 4-20mA HART, 4-20mA	< 2 x 0.7 W
<b>K:</b> 4-wire 90-253VAC; 4-20mA HART	6 VA
<b>L:</b> 4-wire 10,4-48VDC; 4-20mA HART	1.3 W

1) Feature 020 of the product structure

**Current consumption**

**HART**

<b>Nominal current</b>	3.6 to 22 mA, the start-up current for multidrop mode can be parametrized (is set to 3.6 mA on delivery)
<b>Breakdown signal (NAMUR NE43)</b>	adjustable: 3.59 to 22.5 mA

**PROFIBUS PA**

<b>Nominal current</b>	14 mA
<b>Failure current FDE (Fault Disconnection Electronic)</b>	0 mA

**FOUNDATION Fieldbus**

Device basic current	15 mA
Failure current FDE (Fault Disconnection Electronic)	0 mA

**FISCO**

U <sub>i</sub>	17.5 V
I <sub>i</sub>	550 mA
P <sub>i</sub>	5.5 W
C <sub>i</sub>	5 nF
L <sub>i</sub>	10 µH

**Power supply failure**

- Configuration is retained in the HistoROM (EEPROM).
- Error messages (incl. value of operated hours counter) are stored.

**Potential equalization**

No special measures for potential equalization are required.



If the device is designed for hazardous areas, observe the information in the documentation "Safety Instructions" (XA).

**Terminals**

- **Without integrated overvoltage protection**  
Plug-in spring terminals for wire cross-sections 0.5 to 2.5 mm<sup>2</sup> (20 to 14 AWG)
- **With integrated overvoltage protection**  
Screw terminals for wire cross-sections 0.2 to 2.5 mm<sup>2</sup> (24 to 14 AWG)

**Cable entries**

**Connection of the power supply and signal cables**

To be selected in feature 050 "Electrical connection":

- Coupling M20, material depends on approval:
  - For non-Ex, ATEX, IECEx, NEPSI Ex ia/ic:  
Plastic M20x1.5 for cable Ø5 to 10 mm (0.2 to 0.39 in)
  - For Dust-Ex, FM IS, CSA IS, CSA GP, Ex ec:
  - For Ex db:  
No cable gland available
- Thread
  - ½" NPT
  - G ½"
  - M20 × 1.5
- M12 plug / 7/8" plug  
Only available for non-Ex, Ex ic, Ex ia

**Connection of remote display FHX50**

Feature 030 "Display, operation"	Cable entry for connection of FHX50
L: "Prepared for display FHX50 + M12 connection"	M12 socket
M: "Prepared for display FHX50 + custom connection"	M12 cable gland

**Cable specification**


- **Devices without integrated overvoltage protection**  
Pluggable spring-force terminals for wire cross-sections 0.5 to 2.5 mm<sup>2</sup> (20 to 14 AWG)
- **Devices with integrated overvoltage protection**  
Screw terminals for wire cross-sections 0.2 to 2.5 mm<sup>2</sup> (24 to 14 AWG)
- For ambient temperature T<sub>U</sub> ≥ 60 °C (140 °F): use cable for temperature T<sub>U</sub> + 20 K.

**HART**

- A normal device cable suffices if only the analog signal is used.
- A shielded cable is recommended if using the HART protocol. Observe grounding concept of the plant.
- For 4-wire devices: Standard device cable is sufficient for the power line.

**PROFIBUS**

Use a twisted, screened two-wire cable, preferably cable type A.

-  For further information on the cable specifications, see Operating Instructions BA00034S "PROFIBUS DP/PA: Guidelines for planning and commissioning", PNO Guideline 2.092 "PROFIBUS PA User and Installation Guideline" and IEC 61158-2 (MBP).

**FOUNDATION Fieldbus**

Endress+Hauser recommends using twisted, shielded two-wire cables.

-  For further information on the cable specifications, see Operating Instructions BA00013S "FOUNDATION Fieldbus Overview", FOUNDATION Fieldbus Guideline and IEC 61158-2 (MBP).

**Overvoltage protection**

If the measuring device is used for level measurement in flammable liquids which requires the use of overvoltage protection according to DIN EN 60079-14, standard for test procedures 60060-1 (10 kA, pulse 8/20 µs), an overvoltage protection module has to be installed.

**Integrated overvoltage protection module**


An integrated overvoltage protection module is available for 2-wire HART as well as PROFIBUS PA and FOUNDATION Fieldbus devices.

Product structure: Feature 610 "Accessory mounted", option NA "Overvoltage protection".

Technical data	
Resistance per channel	2 × 0.5 Ω max.
Threshold DC voltage	400 to 700 V
Threshold impulse voltage	< 800 V
Capacitance at 1 MHz	< 1.5 pF
Nominal arrest impulse voltage (8/20 µs)	10 kA

**External overvoltage protection module**

HAW562 or HAW569 from Endress+Hauser are suited as external overvoltage protection.

-  For detailed information please refer to the following documents:
- HAW562: TI01012K
  - HAW569: TI01013K

## Performance characteristics

### Reference operating conditions

- Temperature = +24 °C (+75 °F) ±5 °C (±9 °F)
- Pressure = 960 mbar abs. (14 psia) ±100 mbar (±1.45 psi)
- Humidity = 60 % ±15 %
- Reflection factor ≥ 0.8 (metal plate for rod and rope probe with min. 1 m (40 in) diameter)
- Flange for rod or rope probe ≥ 300 mm (12 in) diameter
- Distance to obstacles ≥ 1 m (40 in)

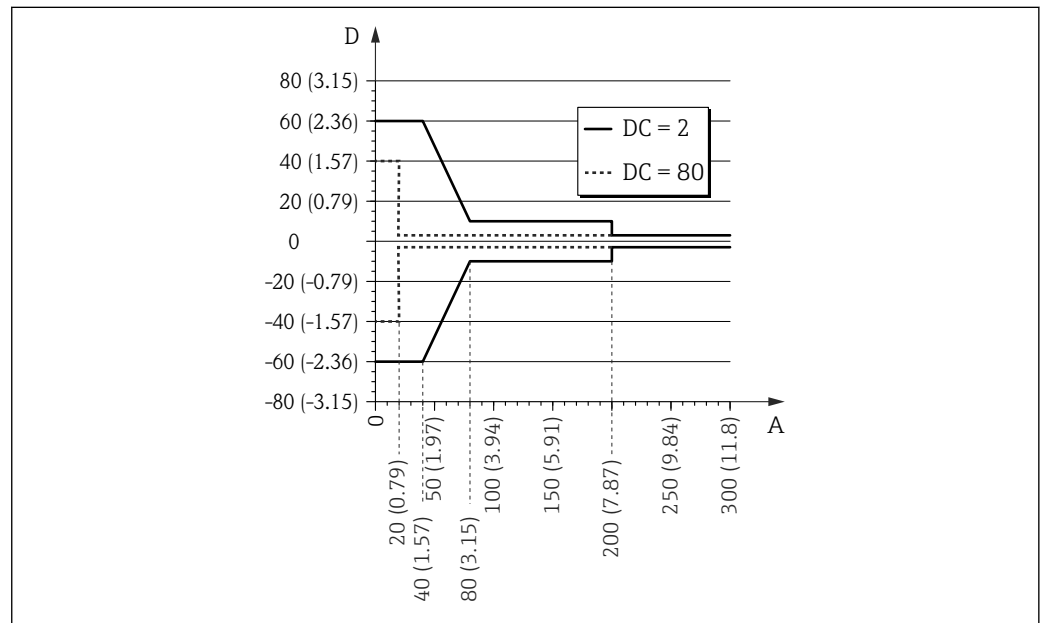
### Reference accuracy

Typical data under reference operating conditions: DIN EN IEC 61298-2 / DIN EN IEC 60770-1; percentage values in relation to the span.

Output:	digital	analog <sup>1)</sup>
Accuracy (sum of non-linearity, non-repeatability and hysteresis) <sup>2)</sup>	<ul style="list-style-type: none"> <li>■ Measuring distance up to 15 m (49 ft): ±2 mm (±0.08 in)</li> <li>■ Measuring distance &gt; 15 m (49 ft): ±10 mm (±0.39 in)</li> </ul>	±0.02 %
Non-repeatability <sup>3)</sup>	≤1 mm (0.04 in)	

- 1) Add error of the analog value to the digital value.
- 2) If the reference conditions are not met, the offset/zero point resulting from the installation conditions can be up to ±16 mm (±0.63 in). This additional offset/zero point can be compensated for by entering a correction ("Level correction" parameter) during commissioning.
- 3) The non-repeatability is already considered in the accuracy.

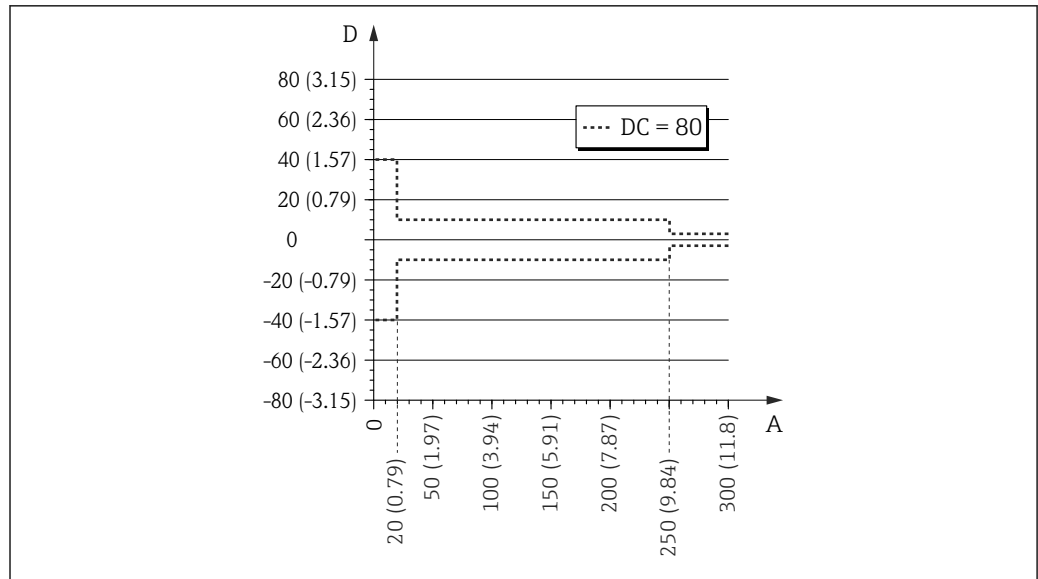
Differing from this, the following measured error applies in the area of the lower probe end:



22 Measured error at the probe end for rod and coax probes

A Distance from the probe end [mm(in)]

D Measured error: Sum of non-linearity, non-repeatability and hysteresis



A0021482

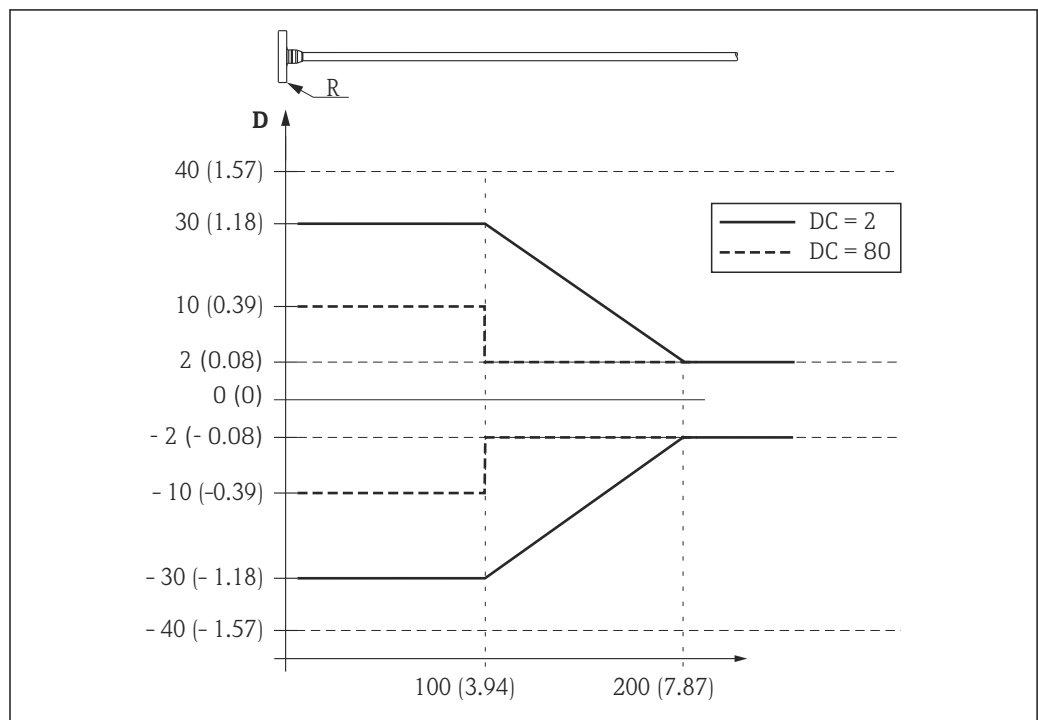
23 Measured error at the probe end for rope probes

A Distance from the probe end [mm(in)]

D Measured error: Sum of non-linearity, non-repeatability and hysteresis

**i** If the DC value is less than 7 in the case of rope probes, measurement is not possible in the area of the tensioning weight (0 to 250 mm from the probe end), (lower blocking distance).

The following measured error applies in the area of the upper probe end:



A0015091

24 Measured error at the upper probe end; engineering unit: mm (in)

D Sum of non-linearity, non-repeatability and hysteresis

R Reference point of measurement

DC Dielectric constant

**Resolution**

- Digital: 1 mm
- Analog: 1  $\mu$ A



**Response time**

The response time can be configured. The following step response times (in accordance with DIN EN IEC 61298-2 / DIN EN IEC 60770-1)<sup>1)</sup> are when damping is switched off:

Level measurement		
Probe length	Sampling rate	Response time
< 10 m (33 ft)	3.6 measurements per second	< 0.8 s
< 40 m (131 ft)	≥ 2.7 measurements per second	< 1 s

**Influence of ambient temperature**

**The measurements are performed according to DIN EN IEC 61298-3 / DIN EN IEC 60770-1**

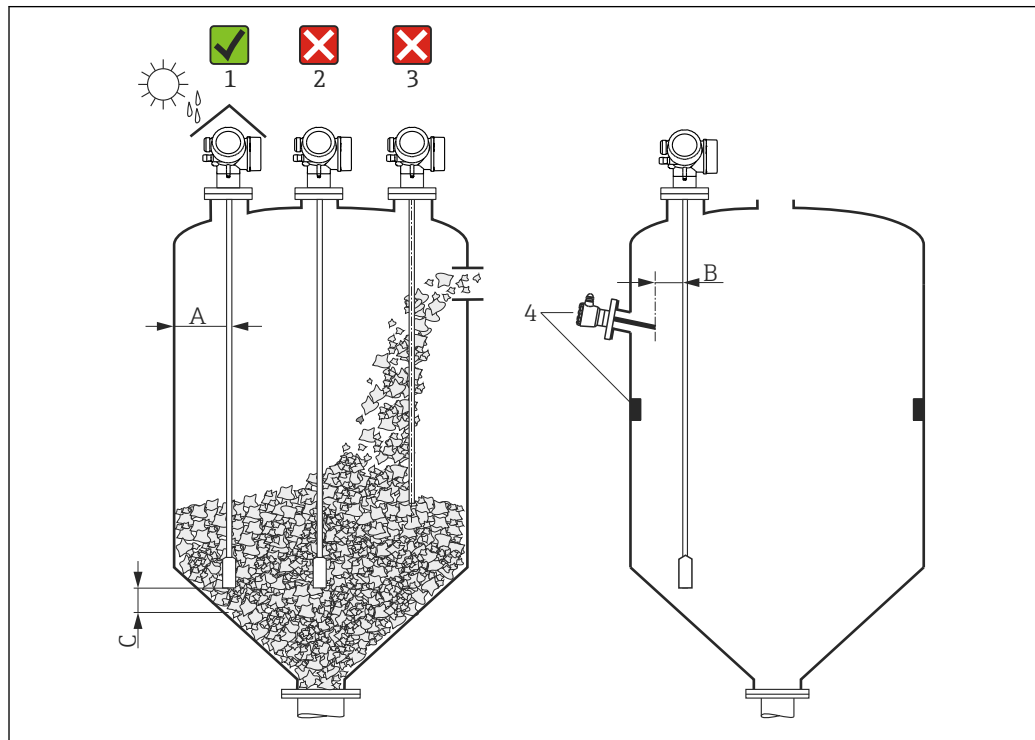
- Digital (HART, PROFIBUS PA, FOUNDATION Fieldbus): average  $T_K = 0.6 \text{ mm}/10 \text{ K}$   
For devices with a remote sensor,<sup>2)</sup> there is an additional offset error of  $\pm 0.3 \text{ mm}/10\text{K}$  ( $\pm 0.01 \text{ in}/10\text{K}$ ) per 1 m (3.3 ft) of the remote cable.
- Analog (current output):
  - Zero point (4 mA): average  $T_K = 0.02 \text{ \%}/10 \text{ K}$
  - Span (20 mA): average  $T_K = 0.05 \text{ \%}/10 \text{ K}$

1) According to DIN EN IEC 61298-2 / DIN EN IEC 60770-1, the step response time is the time that elapses after an abrupt change in the input signal until the change in the output signal has adopted 90% of the steady-state value for the first time.  
 2) Product structure: feature 600, version MB, MC or MD)

## Mounting

### Mounting requirements

### Suitable mounting position



25 Installation conditions for Levelflex

A0021468

### Spacing requirements when mounting


- Distance (A) between the vessel wall and rod and rope probes:
  - For smooth metallic walls: > 50 mm (2 in)
  - For plastic walls: > 300 mm (12 in) to metallic parts outside the vessel
  - For concrete walls: > 500 mm (20 in), otherwise the permitted measuring range may be reduced.
- Distance (B) between rod probes and internal fittings (3): > 300 mm (12 in)
- When using more than one Levelflex:  
Minimum distance between the sensor axes: 100 mm (3.94 in)
- Distance (C) from the end of the probe to the bottom of the vessel:
  - Rope probe: > 150 mm (6 in)
  - Rod probe: > 10 mm (0.4 in)


*Additional conditions*

- When mounting outdoors, a weather protection cover (1) can be used to protect the device against extreme weather conditions.
- In metallic vessels, preferably do not mount the probe in the center of the vessel (2), as this would lead to increased interference echoes.

If a central mounting position cannot be avoided, it is essential to perform interference echo suppression (mapping) after commissioning the device.

- Do not mount the probe in the filling curtain (3).
- Avoid buckling the rope probe during installation or operation (e.g. as a result of product movement against silo wall) by selecting a suitable mounting location.
- The probe must be checked regularly for damage during operation.

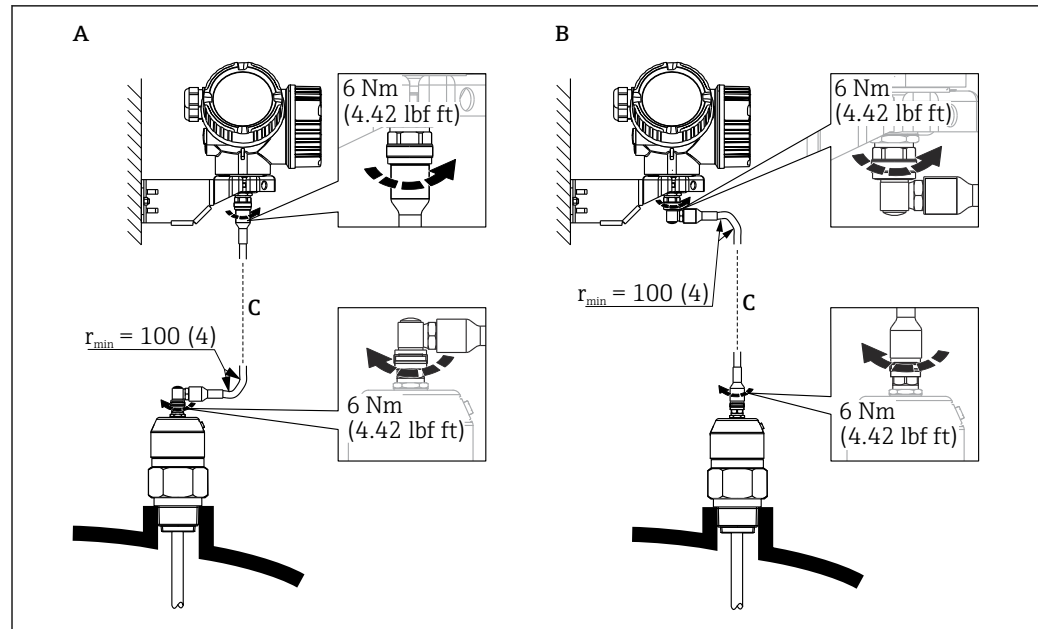
 In the case of freely suspended rope probes (probe end not fixed at the bottom), the distance between the probe rope and internal fittings, which can change due to the movement of the product, must never be less than 300 mm (12 in). Occasional contact between the probe end weight and the cone of the vessel, however, does not influence the measurement provided that the dielectric constant is at least  $DC = 1.8$ .

 When the housing is mounted in a recess (e.g. in a concrete ceiling), observe a minimum distance of 100 mm (4 in) between the cover of the connection compartment/electronics compartment and the wall. Otherwise the connection compartment/electronics compartment will not be accessible after installation.


### Mounting under confined conditions

#### Mounting with remote probe

The device version with a remote probe is suitable for applications with restricted mounting space. In this case, the electronics housing is mounted at a separate position from the probe.



- A Angled plug at the probe
- B Angled plug at the electronics housing
- C Length of the remote cable as ordered

- Product structure, feature 600 "Probe design":
  - Version MB "Sensor remote, 3m cable"
  - Version MC "Sensor remote, 6m cable"
  - Version MD "Sensor remote, 9m cable"
- The connecting cable is included in the delivery with these versions.  
Minimum bending radius: 100 mm (4 inch)
- The mounting bracket for the electronics housing is included in the delivery with these versions.  
Mounting options:
  - Wall mounting
  - Mounting on DN32 to DN50 (1-1/4 to 2 inch) post or pipe
- The connection cable has one straight plug and one plug angled at 90°. Depending on the local conditions the angled plug can be connected at the probe or at the electronics housing.
-  The probe, electronics and connection cable are mutually compatible and bear a common serial number. Only components with the same serial number may be connected to one another.

**Notes on the mechanical load of the probe**

*Tensile load*

Bulk solids exert tensile forces on rope probes which increase with:

- The probe length, i.e. the maximum cover
- The bulk density of the product
- The silo diameter and
- The diameter of the probe rope

As the tensile forces also depend greatly on the flowability of the product, a higher safety factor is necessary for highly viscous products and if there is a risk of cornice buildup. In critical cases it is better to use a 6 mm (0.24 in) rope instead of a 4 mm (0.16 in) one.

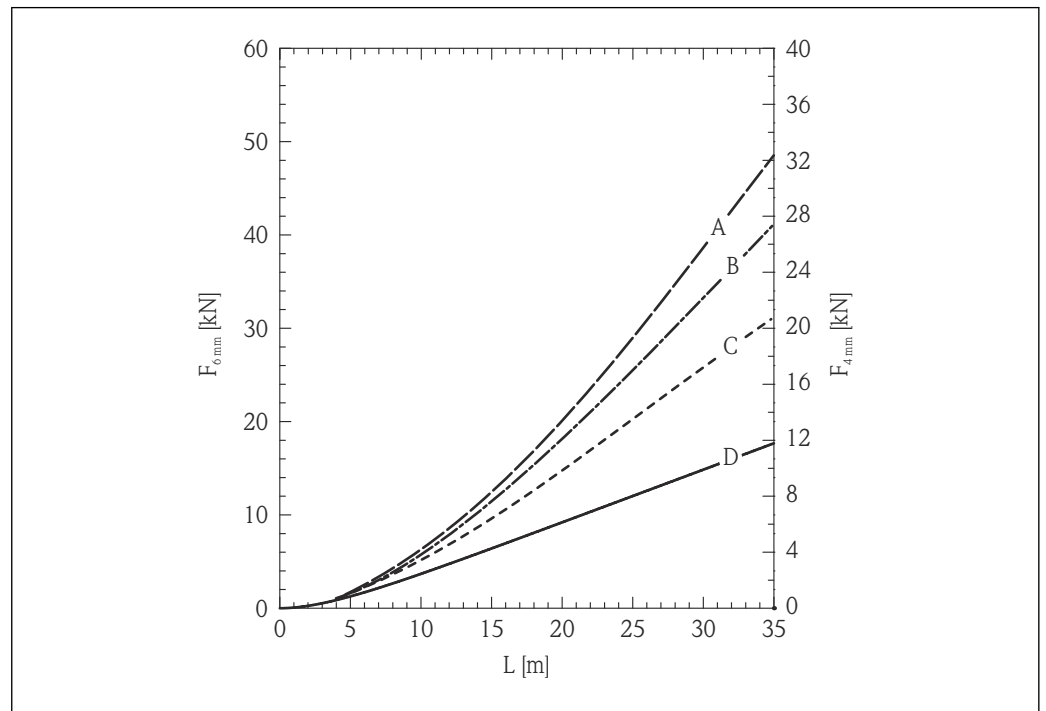
The same forces also act on the silo ceiling. The tensile forces on a fixed rope are always greater, but cannot be calculated. Observe the tensile loading capacity of the probes.

Ways to reduce the tensile forces:

- Shorten the probe.
- If the maximum tensile load is exceeded, check whether it would be possible to use a non-contact ultrasonic or level radar device.

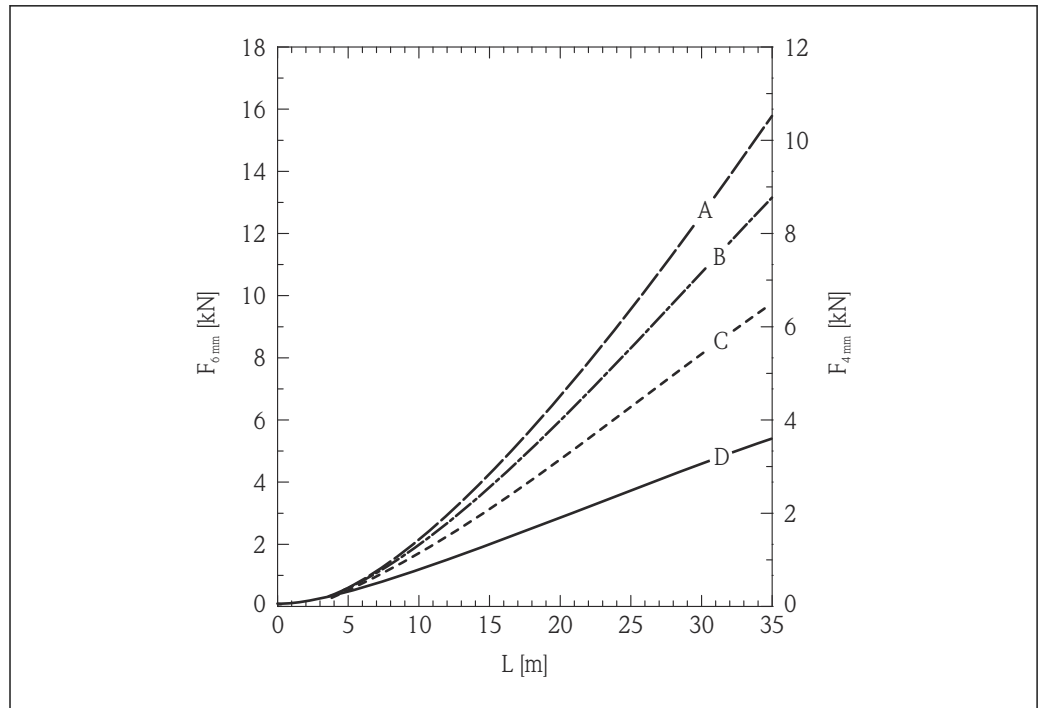
The following diagrams show typical loads for common bulk solids as reference values. The calculation was performed for the following conditions:

- Calculation according to DIN 1055, Part 6 for the cylindrical part of the silo
- Suspended probe (probe end not fixed at the bottom)
- Free-flowing bulk solid, i.e. mass flow. A calculation for core flow is not possible. In the event of collapsing cornices, considerably higher loads can occur.
- The specification for tensile forces contains safety factor 2 (in addition to the safety factors already contained in DIN 1055), which compensates for the normal fluctuation range in pourable bulk solids.



■ 26 Silica sand in metal silo with smooth walls; tensile load as a function of level L for rope diameters 6 mm (0.24 in) and 4 mm (0.16 in)

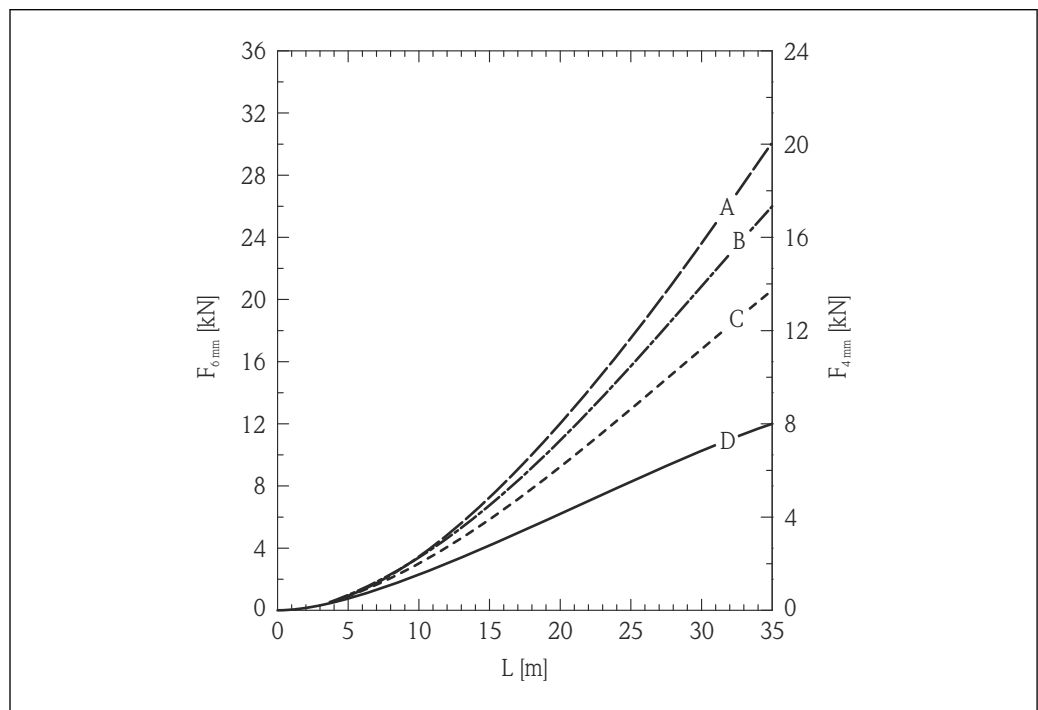
- A Silo diameter 12 m (40 ft)
- B Silo diameter 9 m (30 ft)
- C Silo diameter 6 m (20 ft)
- D Silo diameter 3 m (10 ft)



A0017171

27 Polyethylene pellets in metal silo with smooth walls; tensile load as a function of level L for rope diameters 6 mm (0.24 in) and 4 mm (0.16 in)

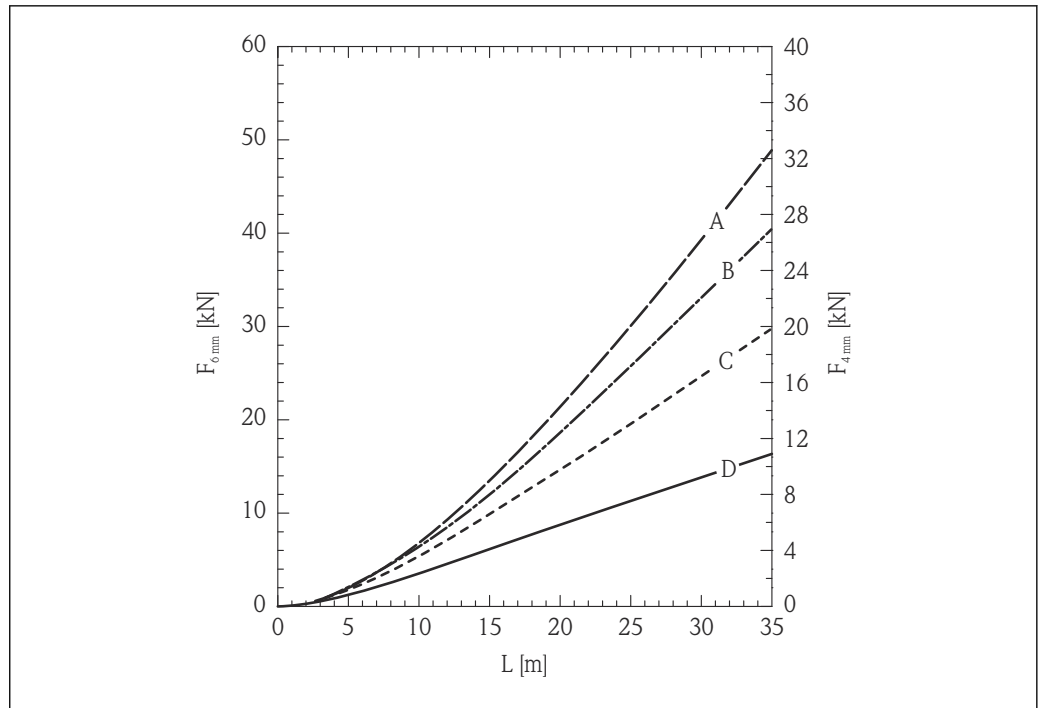
- A Silo diameter 12 m (40 ft)
- B Silo diameter 9 m (30 ft)
- C Silo diameter 6 m (20 ft)
- D Silo diameter 3 m (10 ft)



A0017172

28 Wheat in metal silo with smooth walls; tensile load as a function of level L for rope diameters 6 mm (0.24 in) and 4 mm (0.16 in)

- A Silo diameter 12 m (40 ft)
- B Silo diameter 9 m (30 ft)
- C Silo diameter 6 m (20 ft)
- D Silo diameter 3 m (10 ft)



A0017173

29 Cement in metal silo with smooth walls; tensile load as a function of level L for rope diameters 6 mm (0.24 in) and 4 mm (0.16 in)

- A Silo diameter 12 m (40 ft)
- B Silo diameter 9 m (30 ft)
- C Silo diameter 6 m (20 ft)
- D Silo diameter 3 m (10 ft)

Tensile loading capacity of rope probe and breaking load (silo ceiling)

 The ceiling of the silo must be designed to withstand the maximum breaking load.

FMP56

**Rope 4mm (1/6") 316**

- Tensile loading capacity 12 kN
- Max. breaking load 20 kN

**Rope 6mm (1/4") PA>steel**

- Tensile loading capacity 12 kN
- Max. breaking load 20 kN

FMP57

**Rope 4mm (1/6") 316**

- Tensile loading capacity 12 kN
- Max. breaking load 20 kN

**Rope 6mm (1/4") 316**

- Tensile loading capacity 30 kN
- Max. breaking load 42 kN

**Rope 6mm (1/4") PA>steel**

- Tensile loading capacity 12 kN
- Max. breaking load 20 kN

**Rope 8mm (1/3") PA>steel**

- Tensile loading capacity 30 kN
- Max. breaking load 42 kN

*Lateral loading capacity (flexural strength) of rod probes*

*FMP57*

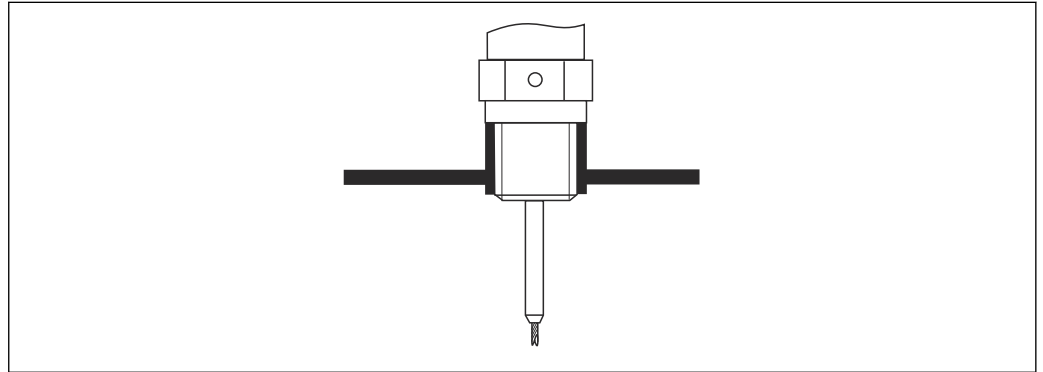
**Rod 16mm (0.63") 316L**  
30 Nm



**Information concerning the process connection**

- i** Probes are mounted on the process connection with threaded connections or flanges. If there is the danger with this installation that the probe end moves so much that it occasionally touches the vessel floor or cone, the probe may need to be shortened at the lower end and fixed in place.

*Threaded connection*



A0015121

**30** *Mounting with threaded connection; flush with the vessel ceiling*

*Seal*

The thread and the type of seal comply with DIN 3852 Part 2, screwed plug, form A.

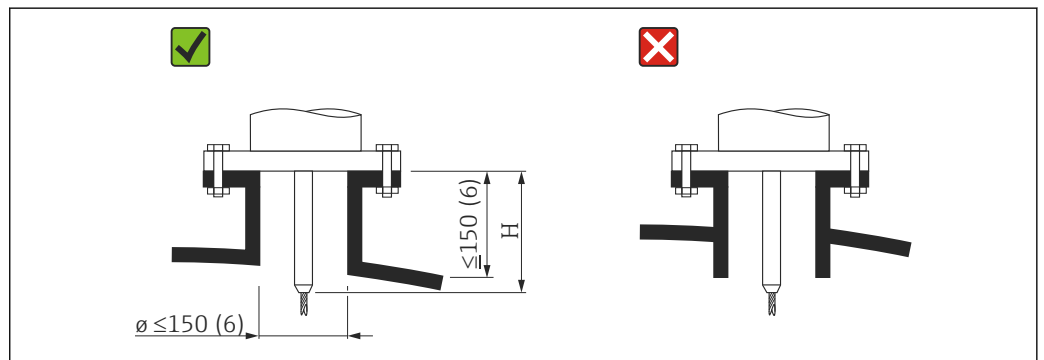
The following types of sealing ring can be used:

- For thread G3/4": According to DIN 7603 with dimensions 27 mm × 32 mm
- For thread G1/-1/2": According to DIN 7603 with dimensions 48 mm × 55 mm

Use a sealing ring according to this standard in form A, C or D and of a material that offers appropriate resistance for the application.

- i** Refer to the dimensional drawing for the length of the screwed plug:

*Nozzle installation*



A0015122

*H* Length of the centering rod or the rigid part of the rope probe

*FMP56*

**Rope, Ø 4 mm (0.16 in)**

Length H:  
120 mm (4.7 in)

*FMP57*

**Rope, Ø 4 mm (0.16 in)**

Length H:  
94 mm (3.7 in)

**Rope, Ø 6 mm (0.24 in)**

Length H:

135 mm (5.3 in)

- Permissible nozzle diameter:  $\leq 150$  mm (6 in)  
For larger diameters, the near-range measuring capability may be reduced.  
For large nozzles, see the section "Mounting in nozzles  $\geq$  DN300"
- Permissible nozzle height:  $\leq 150$  mm (6 in)  
For larger heights, the near-range measuring capability may be reduced.  
Larger nozzle heights are possible in special cases (on request), see section "Rod extension/centering device HMP40 for FMP57".
- The end of the nozzle should be flush with the tank ceiling in order to avoid ringing effects.

**i** In thermally insulated vessels, the nozzle should also be insulated in order to prevent condensate formation.

*Rod extension/centering device HMP40 for FMP57*

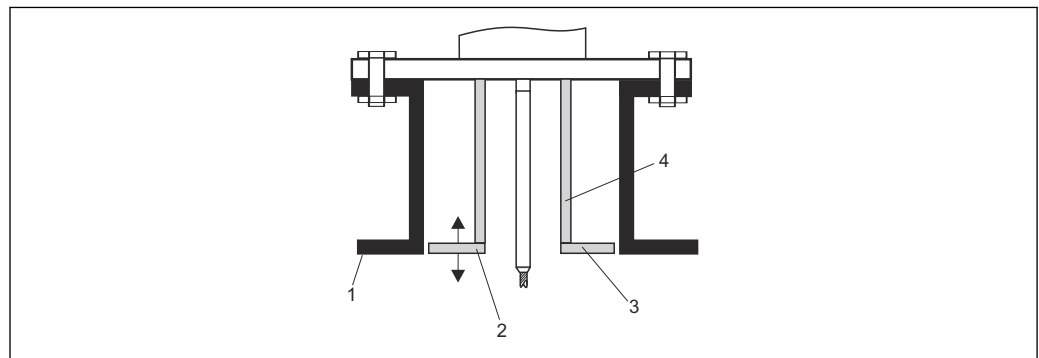
For FMP57 with rope probes, the rod extension/centering device HMP40 is available as an accessory. It must be used if the probe rope would otherwise come into contact with the lower edge of the nozzle.

**i** This accessory consists of the extension rod, corresponding to the nozzle height, on which a centering disk is also mounted if the nozzles are narrow or when used in bulk solids. We deliver this component separately from the device. Please order a correspondingly shorter probe length.

Only use centering disks with small diameters (DN40 and DN50) if there is no significant build-up in the nozzle above the disk. The nozzle must not become clogged with product.

*Mounting in nozzles  $\geq$  DN300*

If installation in nozzles  $\geq 300$  mm (12 in) is unavoidable, installation must be carried out in accordance with the following diagram in order to avoid interference signals in the near range.

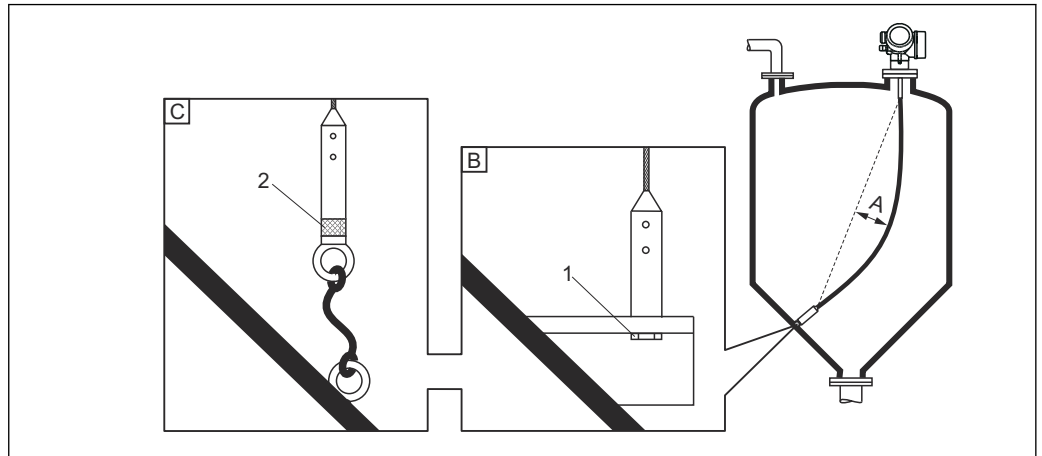


A0014199

- 1 Lower edge of the nozzle
- 2 Approximately flush with the lower edge of the nozzle ( $\pm 50$  mm)
- 3 Plate, nozzle Ø 300 mm (12 in) = plate Ø 280 mm (11 in); nozzle Ø  $\geq$  400 mm (16 in) = plate Ø  $\geq$  350 mm (14 in)
- 4 Pipe Ø 150 to 180 mm

## Securing the probe

### Securing rope probes



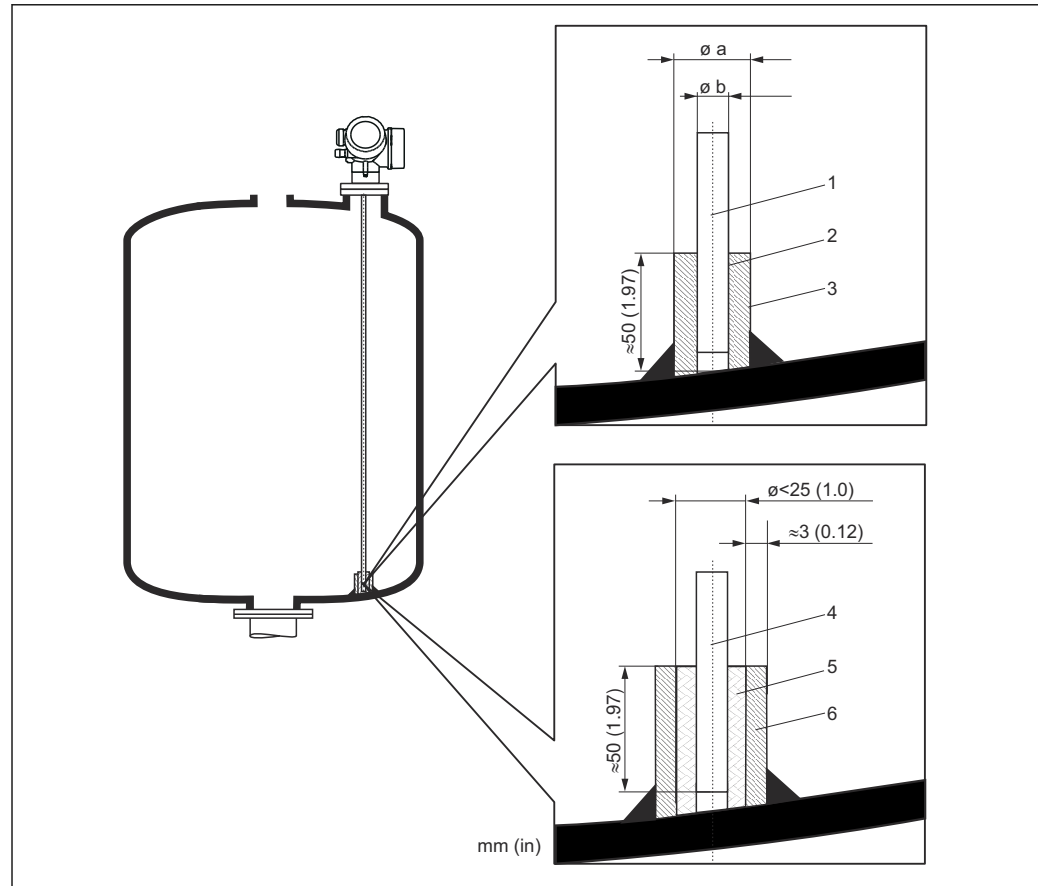
A0012609

- A Rope sag:  $\geq 10 \text{ mm}/(1 \text{ m probe length})$  [ $0.12 \text{ in}/(1 \text{ ft probe length})$ ]
- B Reliably grounded end of probe
- C Reliably insulated end of probe
- 1 Fastener in female thread of probe end weight
- 2 Insulated fastening kit

- The end of the rope probe must be secured (fixed down) under the following conditions:
  - If the probe would otherwise temporarily come into contact with the vessel wall, the cone, internal fittings/beams or another part of the installation
  - If the probe would otherwise get closer than 0.5 m (1.6 ft) to a concrete wall.
- A female thread is provided in the probe weight to secure the end of the probe:
  - Rope 4 mm (1/6"), 316: M 14
  - Rope 6 mm (1/4"), 316: M 20
  - Rope 6 mm (1/4"), PA>steel: M14
  - Rope 8mm (1/3"), PA>steel: M20
- Far higher tensile loads occur on the probe when it is secured (fixed down). Therefore, preferably use the 6 mm (1/4") rope probe.
- When fixed down, the end of the probe must be either reliably grounded or reliably insulated. Use an insulated fastening kit if it is not otherwise possible to secure the probe with a reliably insulated connection.
- To prevent an extremely high tensile load (e.g. due to thermal expansion) and the risk of the rope breaking, the rope must be slack. Required sag:  $\geq 10 \text{ mm}/(1 \text{ m rope length})$  [ $0.12 \text{ in}/(1 \text{ ft rope length})$ ].  
Pay attention to the tensile loading capacity of rope probes.

*Securing rod probes*

- For WHG approval: A support is required for probe lengths  $\geq 3$  m (10 ft).
- In general, rod probes must be secured in the event of horizontal flow (e.g. from an agitator) or strong vibrations.
- Only secure rod probes directly at the end of the probe.



A0012607

Unit of measurement mm (in)

- 1 Probe rod, uncoated
- 2 Sleeve with narrow bore to ensure electrical contact between the sleeve and the rod.
- 3 Short metal pipe, e.g. welded in place
- 4 Probe rod, coated
- 5 Plastic sleeve, e.g. PTFE, PEEK, PPS
- 6 Short metal pipe, e.g. welded in place

**NOTICE**

**Poor grounding of the probe end may cause incorrect measurements.**

- ▶ Use a sleeve with a narrow bore to ensure good electrical contact between the sleeve and the probe rod.

**NOTICE**

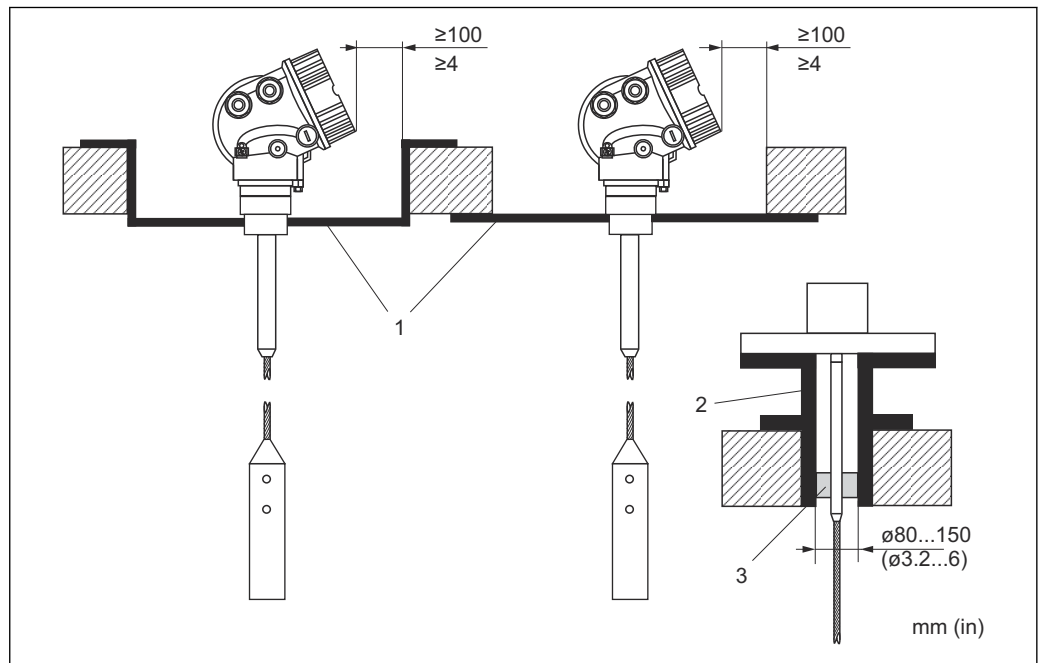
**Welding can damage the main electronics module.**

- ▶ Before welding: Ground the probe rod and remove the electronics.

### Special installation situations

#### Concrete silos

Installation in a thick concrete ceiling, for example, should be flush with the lower edge. Alternatively, the probe can also be installed in a pipe that must not protrude over the lower edge of the silo ceiling. The pipe should be as short as possible. For installation suggestions, see the diagram below.



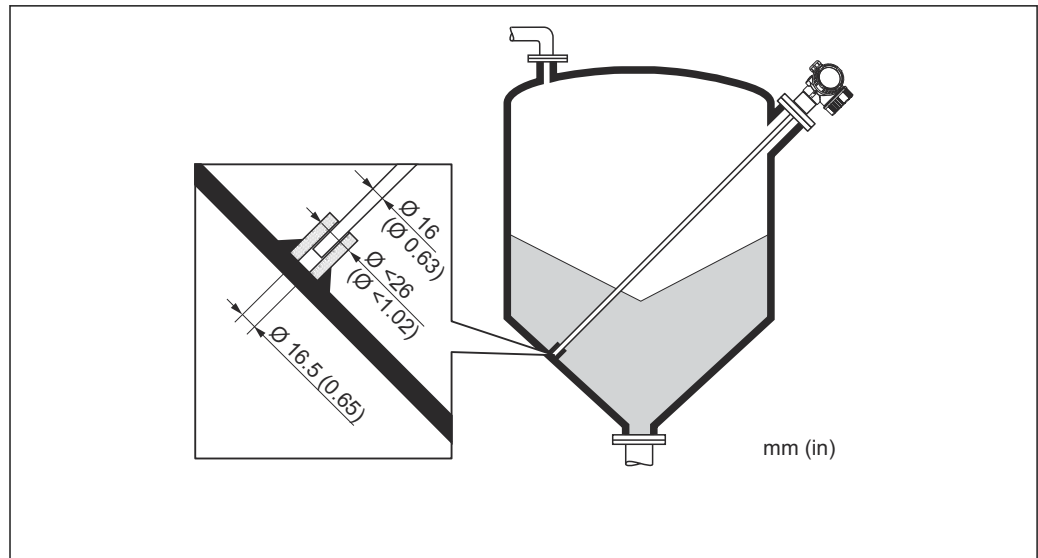
A0014138

- 1 Metal plate
- 2 Metal pipe
- 3 Rod extension/centering device HMP40 (see "Accessories")



#### Installation with rod extension/centering device (accessory):

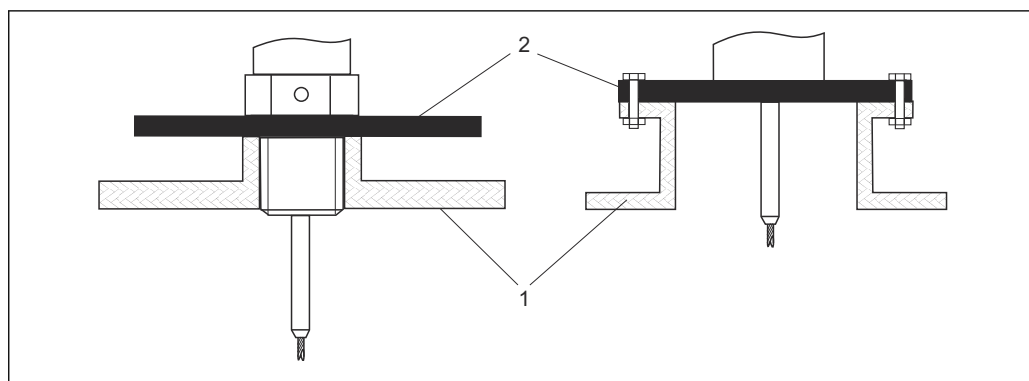
Strong dust generation can lead to build-up behind the centering disk. This can result in interference reflections. For other installation options, please contact Endress+Hauser.

*Mounting from the side*

A0014140

- If installation from above is not possible, the device can also be mounted from the side
- Always secure the rope probe in this case
- Support the rod and coax probe if the lateral load-bearing capacity is exceeded
- Only secure rod probes at the end of the probe

*Non-metal vessels*



A0012527

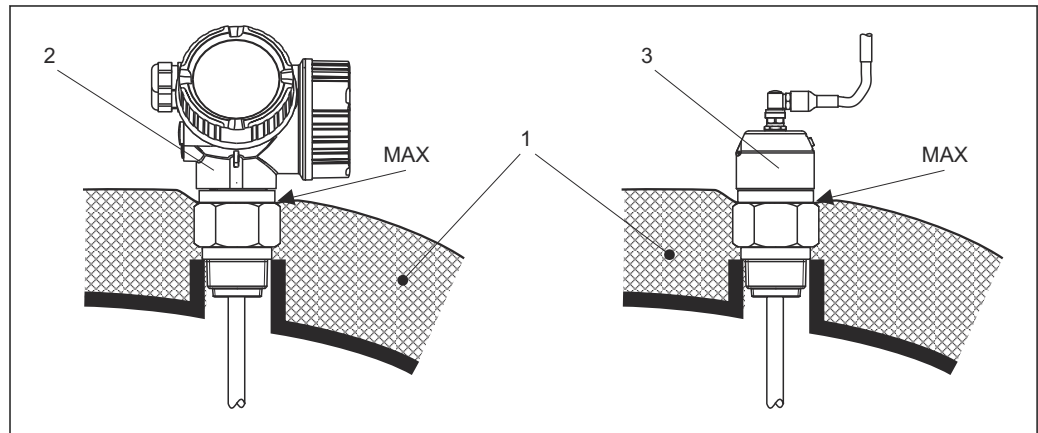
- 1 *Non-metal vessel*
- 2 *Metal sheet or metal flange*

To ensure good measurement results when mounting on non-metal vessels

- Use a device with a metal flange (minimum size DN50/2").
- Alternatively: at the process connection, mount a metal sheet with a diameter of at least 200 mm (8 in) at a right angle to the probe.

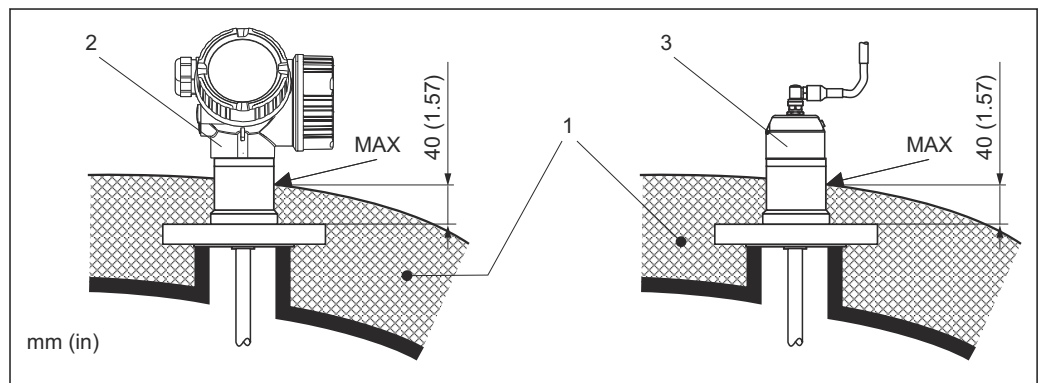
*Vessel with thermal insulation*

**i** If process temperatures are high, the device must be included in normal vessel insulation (1) in order to prevent the electronics heating up as a result of thermal radiation or convection. The insulation may not go beyond the points labeled "MAX" in the drawings.



**31** *Process connection with thread*

- 1 *Vessel insulation*
- 2 *Compact device*
- 3 *Sensor, remote*



**32** *Process connection with flange - FMP57*

- 1 *Vessel insulation*
- 2 *Compact device*
- 3 *Sensor, remote*



## Environment

<b>Ambient temperature</b>	<b>Measuring device</b>	-40 to +80 °C (-40 to +176 °F)
	<b>Local display</b>	-20 to +70 °C (-4 to +158 °F), the readability of the local display may be impaired at temperatures outside the temperature range.
	<b>Connecting cable (for "Sensor, remote" probe design)</b>	-50 to +100 °C (-58 to +212 °F)
	<b>Remote display FHX50</b>	-40 to 80 °C (-40 to 176 °F)
	<b>Remote display FHX50 (option)</b>	-50 to 80 °C (-58 to 176 °F) <sup>1)</sup>

- 1) This range applies if the option JN "Transmitter ambient temperature -50 °C (-58 °F)" has been selected in order code 580 "Test, certificate". If the temperature is permanently below -40 °C (-40 °F), higher failure rates can be expected.

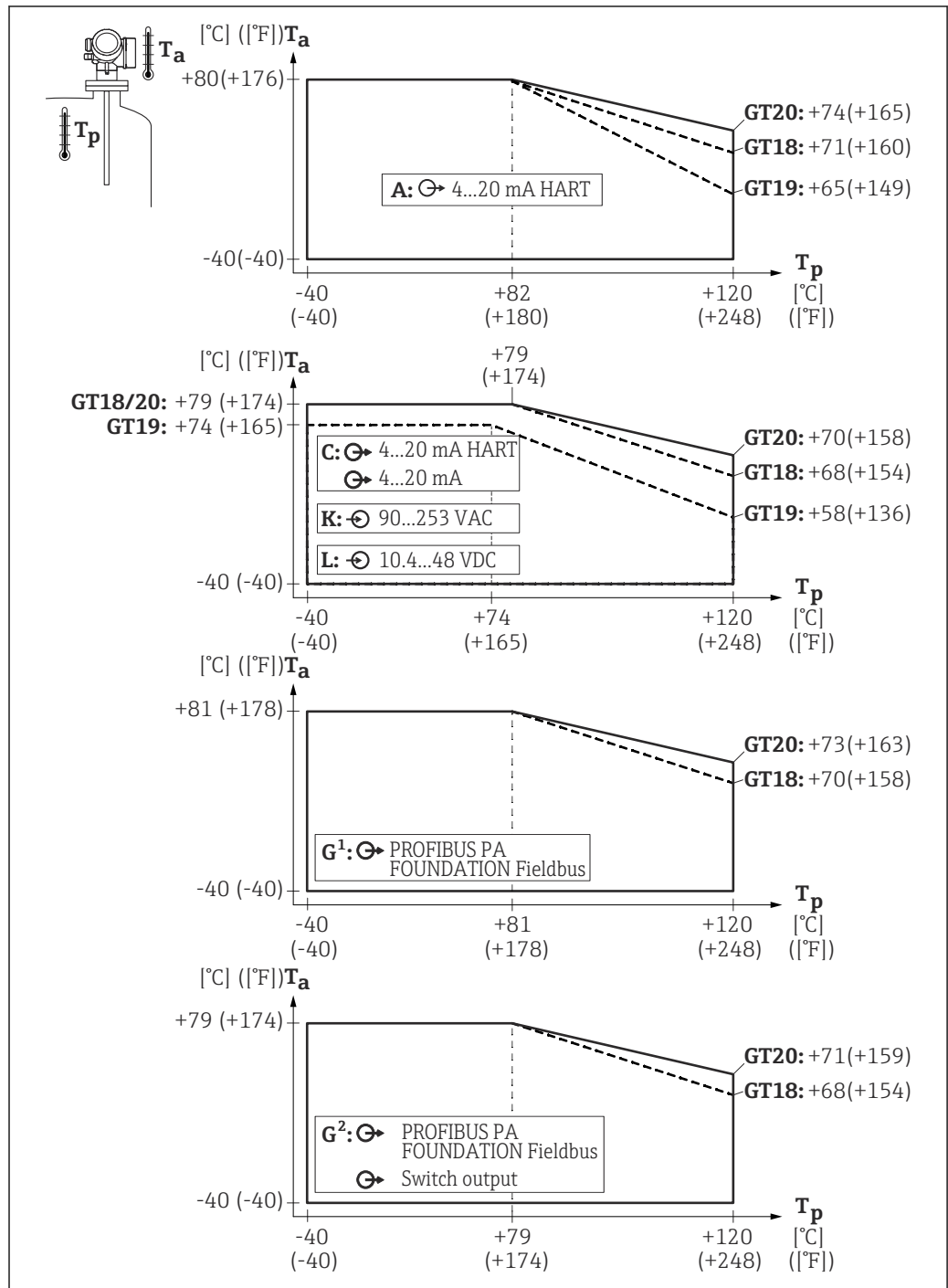
If operating outdoors in strong sunlight:

- Mount the device in the shade.
- Avoid direct sunlight, particularly in warm climatic regions.
- Use a weather protection cover (see accessories).

**Ambient temperature limits** The following diagrams only consider functional aspects. Additional restrictions may apply for certified device versions. See the separate Safety Instructions for more information.

In the event of temperature ( $T_p$ ) at the process connection, the permitted ambient temperature ( $T_a$ ) is reduced as indicated in the following diagram (temperature derating):

Temperature derating for FMP56 with threaded connection  $G\frac{3}{4}$  or  $NPT\frac{3}{4}$



A0014122

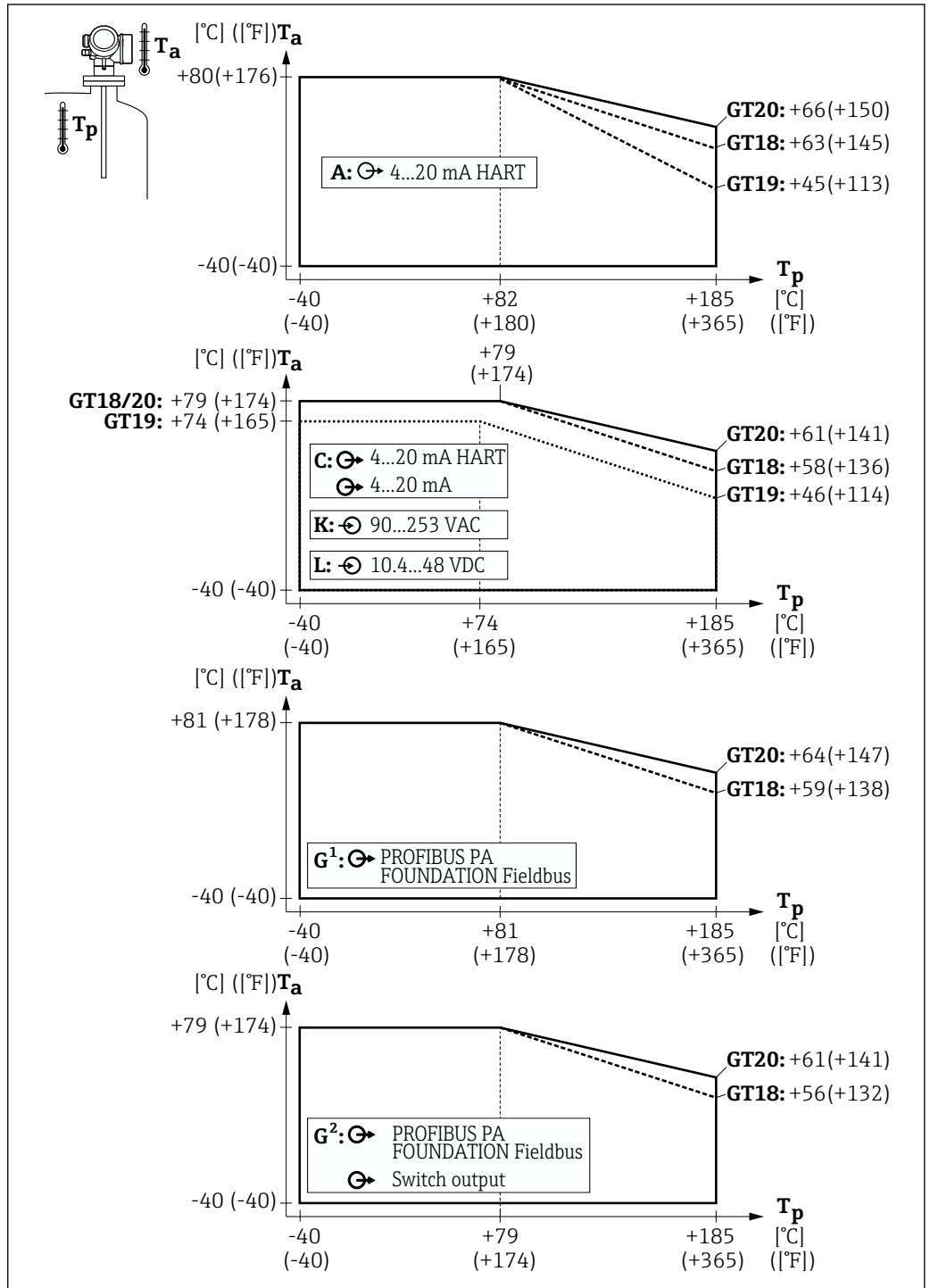
GT18 = Stainless steel housing  
 GT19 = Plastic housing  
 GT20 = Aluminum housing

A = 1 current output  
 C = 2 current outputs  
 G<sup>1</sup>, G<sup>2</sup> = PROFIBUS PA<sup>1)</sup>  
 K, L = 4-wire

$T_a$  = Ambient temperature  
 $T_p$  = Temperature at the process connection

1) In the case of PROFIBUS PA and FOUNDATION Fieldbus, the temperature derating depends on whether the switch output (terminals 3 and 4) is used (G<sup>2</sup>) or not (G<sup>1</sup>).

Temperature derating for FMP57



GT18 = Stainless steel housing  
 GT19 = Plastic housing  
 GT20 = Aluminum housing

A = 1 current output  
 C = 2 current outputs  
 G<sup>1</sup>, G<sup>2</sup> = PROFIBUS PA<sup>1)</sup>  
 K, L = 4-wire

$T_a$  = Ambient temperature  
 $T_p$  = Temperature at the process connection


1) In the case of PROFIBUS PA and FOUNDATION Fieldbus, the temperature derating depends on whether the switch output (terminals 3 and 4) is used (G<sup>2</sup>) or not (G<sup>1</sup>).

Storage temperature

- Permitted storage temperature: -40 to +80  $^{\circ}\text{C}$  (-40 to +176  $^{\circ}\text{F}$ )
- Use original packaging.

Climate class

DIN EN 60068-2-38 (test Z/AD)


<b>Altitude according to IEC61010-1 Ed.3</b>	<ul style="list-style-type: none"> <li>▪ Generally up to 2 000 m (6 600 ft) above MSL.</li> <li>▪ Above 2 000 m (6 600 ft) if the following conditions are met: <ul style="list-style-type: none"> <li>▪ Ordering feature 020 "Power supply; Output" = A, B, C, E or G (2-wire versions)</li> <li>▪ Supply voltage <math>U &lt; 35\text{ V}</math></li> <li>▪ Supply voltage of overvoltage category 1</li> </ul> </li> </ul>
<b>Degree of protection</b>	<p>Tested according to:</p> <ul style="list-style-type: none"> <li>▪ With housing closed: IP68, NEMA6P (24 h at 1.83 m (6 ft) under water) (also applies for the "Remote sensor" version) <ul style="list-style-type: none"> <li>▪ For housing: GT19 dual compartment, PBT plastic in combination with display, operation: SD02 or SD03: IP68 (24 h at 1 m (3.28 ft) under water)</li> <li>▪ IP66, NEMA4X</li> </ul> </li> <li>▪ With housing open: IP20, NEMA1</li> <li>▪ Display module: IP22, NEMA2</li> <li>▪ For M12 plug: IP68 NEMA6P, only if the cable is plugged in and also specified according to IP68 NEMA6P</li> </ul>
<b>Vibration resistance</b>	DIN EN 60068-2-64 / IEC 60068-2-64: 20 to 2 000 Hz, 1 (m/s <sup>2</sup> ) <sup>2</sup> /Hz
<b>Cleaning the probe</b>	<p>Dirt or buildup may form on the probe depending on the application. A thin, even layer has little impact on the measurement. Thick layers can dampen the signal and reduce the measuring range. Very uneven deposit formation or caking (e.g. due to crystallization) can result in incorrect measurements. In such cases, use a non-contact measuring principle, or regularly inspect the probe for contamination.</p> <p>Cleaning with sodium hydroxide solution (e.g. in CIP procedures): if the coupling is wetted, larger measurement errors can occur than under reference operating conditions. Wetting can cause temporary incorrect measurements.</p>
<b>Electromagnetic compatibility (EMC)</b>	<p>Electromagnetic compatibility in accordance with all the relevant requirements outlined in the EN 61326 series and NAMUR Recommendation EMC (NE 21). For details, refer to the Declaration of Conformity.</p> <p> Download at <a href="http://www.endress.com">www.endress.com</a>.</p> <p>Use a shielded cable for signal transmission.</p> <p>Maximum measured error during EMC testing: &lt; 0.5 % of the span.</p> <p>When the probes are installed in metal and concrete vessels and when a coax probe is used:</p> <ul style="list-style-type: none"> <li>▪ Interference emission according to EN 61326 - x series, Class B equipment.</li> <li>▪ Interference immunity according to EN 61326 - x series, requirements for industry and NAMUR Recommendation NE 21 (EMC)</li> </ul> <p>When probes are installed without a shielding/metal wall, e.g. installation in plastic and wooden silos, or if the "Remote sensor" device version is used, the effect of strong electromagnetic fields can influence the measured value.</p> <ul style="list-style-type: none"> <li>▪ Interference emission according to EN 61326 - x series, Class A equipment.</li> <li>▪ Interference immunity: the effect of strong electromagnetic fields can influence the measured value.</li> </ul>

## Process

**Process temperature range** The maximum temperature permitted at the process connection is determined by the O-ring version ordered:

Device	O-ring material	Process temperature <sup>1)</sup>	Approval
FMP56	FKM (Viton GLT)	-30 to +120 °C (-22 to +248 °F)	FDA
	EPDM (70C4 pW FKN)	-40 to +120 °C (-40 to +248 °F)	FDA
FMP57	FKM (Viton GLT)	-30 to +150 °C (-22 to +302 °F)	FDA
	EPDM (E7502 or E7515)	-40 to +120 °C (-40 to +248 °F)	FDA
	FFKM (Kalrez 6375)	-5 to +185 °C (+23 to +365 °F)	


1) Max. 100 °C (+212 °F) for PA-coated rope probes

 With uncoated probes, the medium temperature may be higher provided that the process temperature specified in the table is not exceeded at the process connection.

When using rope probes, the stability of the probe rope is reduced by structural changes at temperatures above 350 °C (662 °F), however.

**Process pressure range**

Device	Process pressure
FMP56, FMP57	-1 to 16 bar (-14.5 to 232 psi)

 The range indicated can be reduced by the choice of process connection. The maximum working pressure (MWP) indicated on the nameplate refers to a reference temperature of 20 °C, and of 100 °F for ASME flanges. Observe pressure-temperature dependency.

Please refer to the following standards for the pressure values permitted at higher temperatures:

- EN 1092-1: 2007 Tab. G.4.1-x  
With regard to their stability-temperature property, the materials 1.4435 and 1.4404 are grouped together under 13E0 in EN 1092-1: 2007 Tab. G.3.1-1. The chemical composition of the two materials can be identical.
- ASME B 16.5a - 2013 Tab. 2-2.2 F316
- ASME B 16.5a - 2013 Tab. 2.3.8 N10276
- JIS B 2220

**Dielectric constant (DC)** Rod and rope probe: DC ( $\epsilon_r$ )  $\geq$  1.6

**Extension of the rope probes due to tension and temperature**

4 mm rope:

- Elongation due to tension: with max. permitted tensile load (12 kN): 11 mm / m rope length
- Elongation from temperature increase from 30 °C (86 °F) to 150 °C (302 °F): 2 mm / m rope length

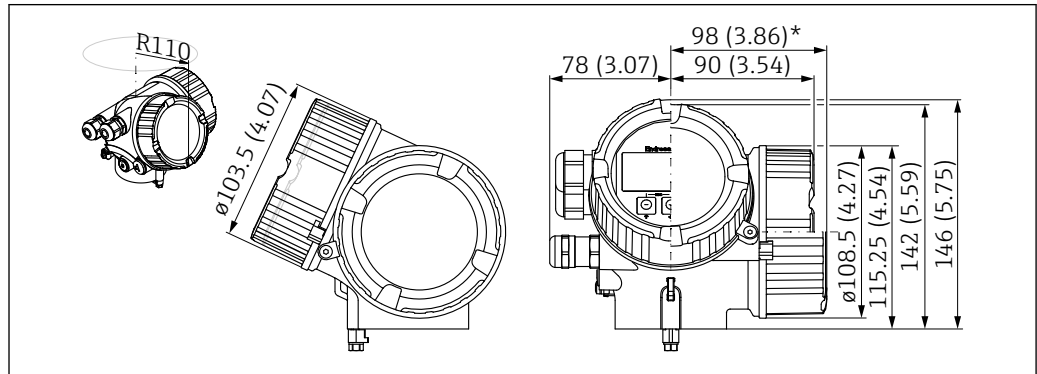
6 mm rope:

- Elongation due to tension: with max. permitted tensile load (30 kN): 13 mm / m rope length
- Elongation from temperature increase from 30 °C (86 °F) to 150 °C (302 °F): 2 mm / m rope length

## Mechanical construction

### Dimensions

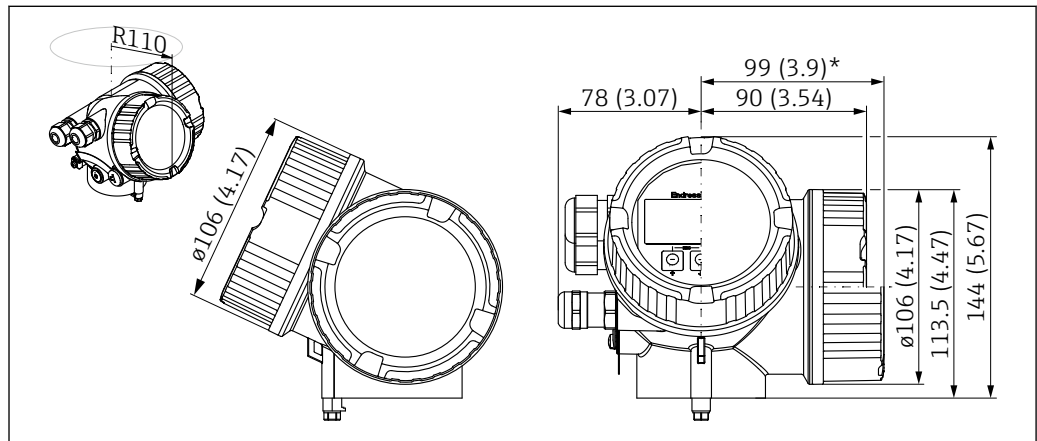
#### Dimensions of the electronics housing



A0011666

33 Housing GT18 (316L). Unit of measurement mm (in)

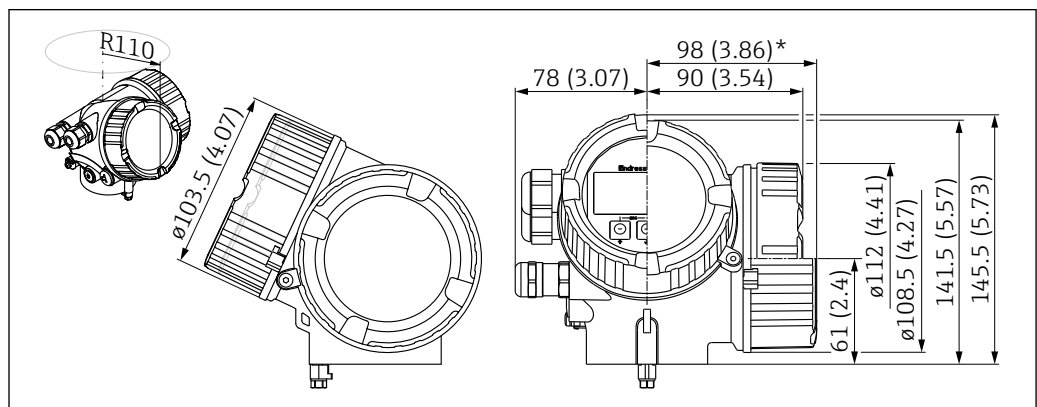
\*For devices with integrated overvoltage protection.



A0011346

34 GT19 housing (plastic PBT). Unit of measurement mm (in)

\*For devices with integrated overvoltage protection.

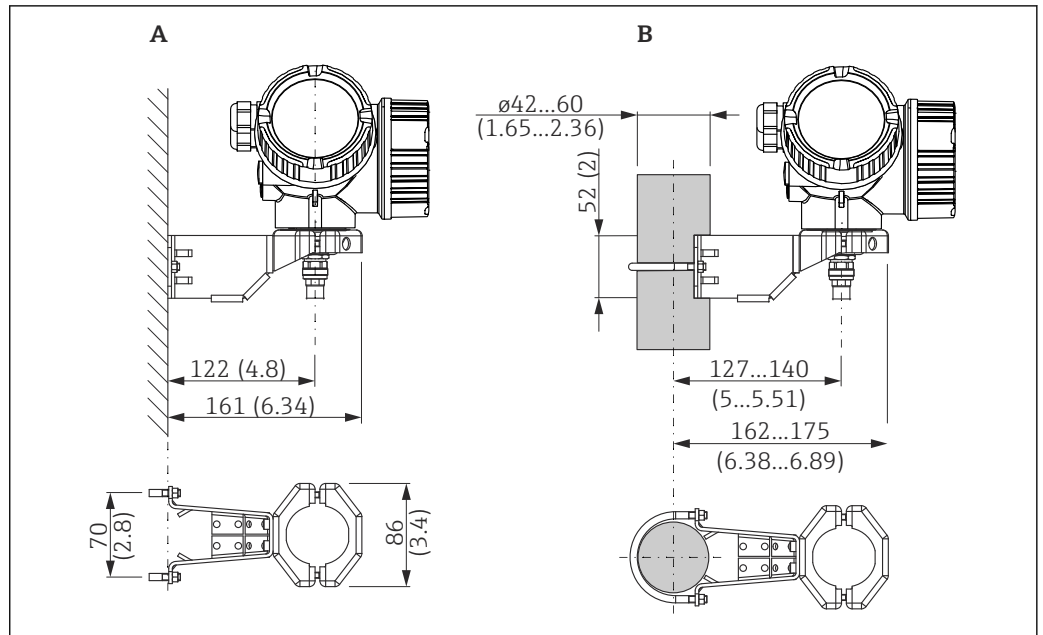


A0020751

35 Housing GT20 (aluminum coated). Unit of measurement mm (in)

\*For devices with integrated overvoltage protection.

**Mounting bracket dimensions**



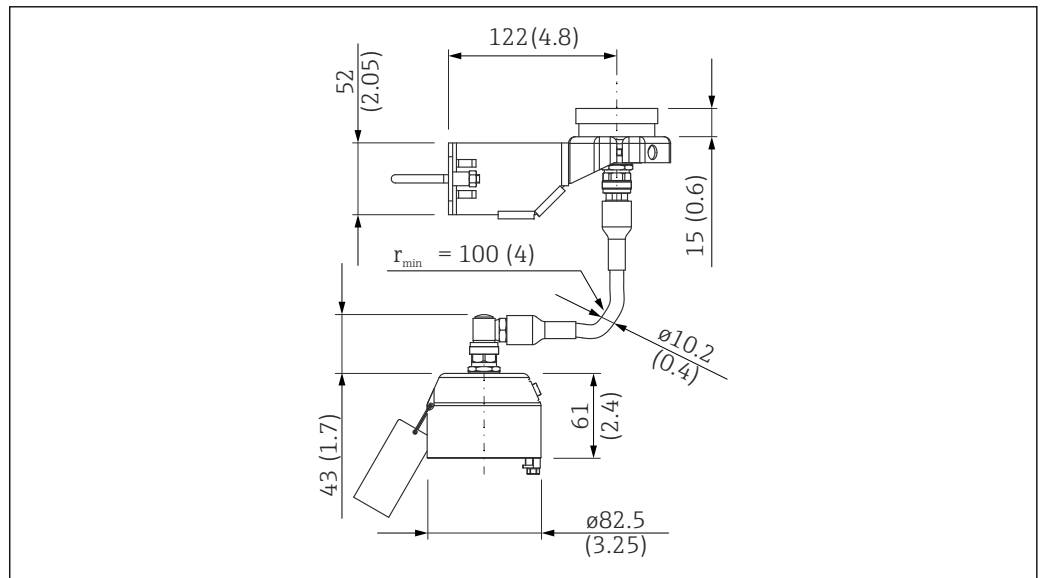
A0014793

36 Mounting bracket for electronics housing. Unit of measurement mm (in)

- A Wall mounting
- B Post mounting

**i** With "remote sensor" device versions (see feature 060 in the product structure), the mounting bracket is included in the scope of delivery. However, it can also be ordered separately as an accessory (order number: 71102216).

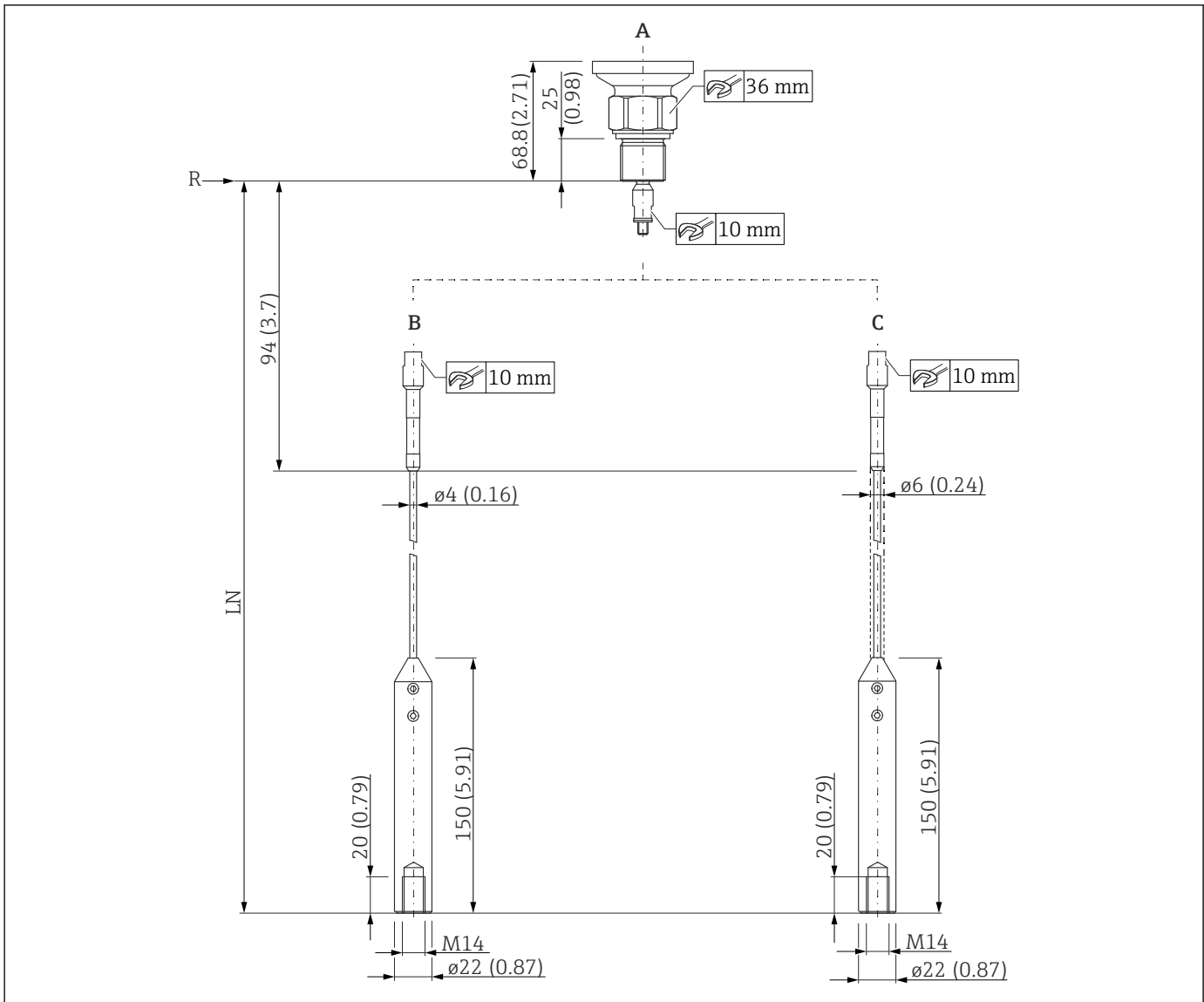
**Dimensions of connection piece for remote probe**



A0023856

37 Connection piece for remote probe; length of connecting cable: as per order. Unit of measurement mm (in)

FMP56: Dimensions of process connection/probe



A0012781

38 FMP56: Process connection / probe. Unit of measurement mm (in)

A Thread ISO228 G3/4 or ANSI MNPT3/4 (feature 100)

B Rope probe 4mm or 1/6" (feature 060)

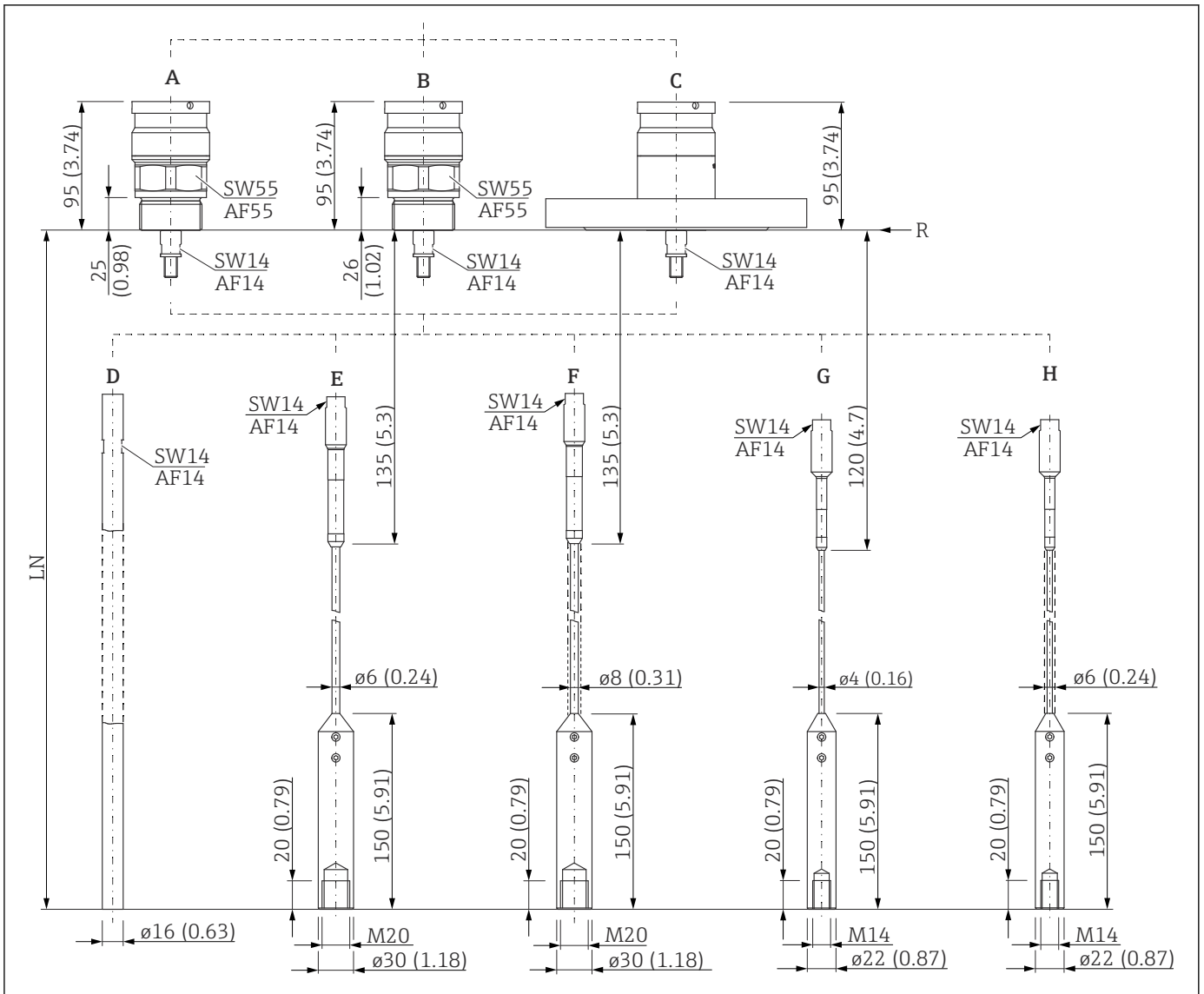
C Rope probe 6mm (1/4"), PA>steel (feature 060)

LN Probe length

R Reference point of measurement



FMP57: Dimensions of process connection/probe



A0012782

39 FMP57: Process connection / probe. Unit of measurement mm (in)

- A Thread ISO228 G1-1/2 (feature 100)
- B Thread ANSI MNPT1-1/2 (feature 100)
- C Flange ANSI B16.5, EN1092-1, JIS B2220 (feature 100)
- D Rod probe 16mm (feature 060)
- E Rope probe 6mm or 1/4" (feature 060)
- F Rope probe 8mm or 1/3", PA>steel (feature 060)
- G Rope probe 4mm or 1/6" (feature 060)
- H Rope probe 6mm or 1/4", PA>steel (feature 060)
- LN Probe length
- R Reference point of measurement

---

**Probe length tolerances****Rod probes**

Permitted tolerance depending on the probe length:

- < 1 m (3.3 ft) = -5 mm (-0.2 in)
- 1 to 3 m (3.3 to 9.8 ft) = -10 mm (-0.39 in)
- 3 to 6 m (9.8 to 20 ft) = -20 mm (-0.79 in)
- > 6 m (20 ft) = -30 mm (-1.18 in)

**Rope probes**

Permitted tolerance depending on the probe length:

- < 1 m (3.3 ft) = -10 mm (-0.39 in)
- 1 to 3 m (3.3 to 9.8 ft) = -20 mm (-0.79 in)
- 3 to 6 m (9.8 to 20 ft) = -30 mm (-1.18 in)
- > 6 m (20 ft) = -40 mm (-1.57 in)

---

**Shortening probes**

If necessary, probes can be shortened by observing the following instructions:

**Shortening rod probes**

Rod probes must be shortened if the distance to the vessel floor or outlet cone is less than 10 mm (0.4 in). To shorten, saw off the bottom end of the rod probe.



It is **not** possible to shorten FMP52 rod probes due to their coating.

**Shortening rope probes**

Rope probes must be shortened if the distance to the vessel floor or outlet cone is less than 150 mm (6 in).

**Weight**

*Housing*

Part	Weight
GT18 housing - stainless steel	Approx. 4.5 kg
GT19 housing - plastic	Approx. 1.2 kg
GT20 housing - aluminum	Approx. 1.9 kg

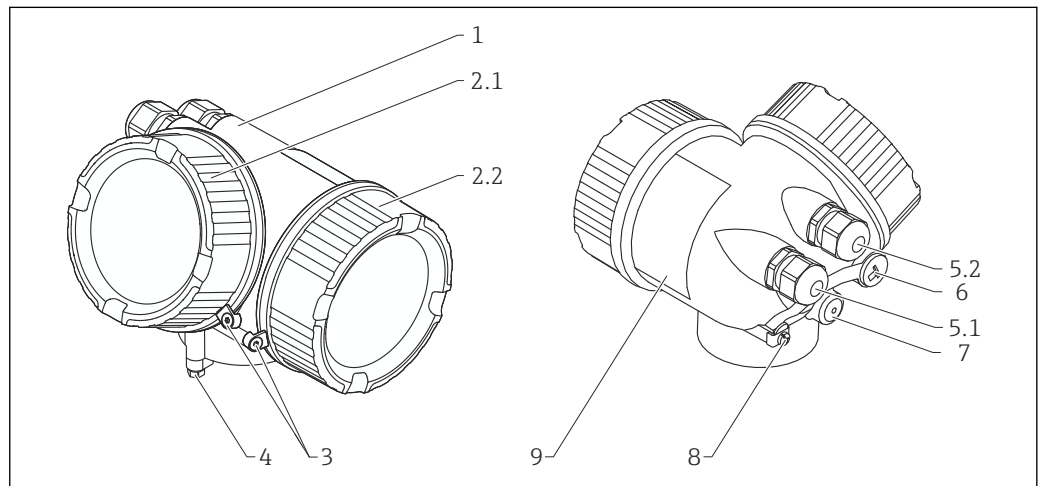
*FMP56*

Part	Weight	Part	Weight
Sensor	Approx. 0.8 kg	Rope probe 4 mm	Approx. 0.1 kg/m probe length
		Rope probe 6 mm	Approx. 0.2 kg/m probe length

*FMP57*

Part	Weight	Part	Weight
Sensor	Approx. 1.4 kg + weight of flange	Rope probe 6 mm	Approx. 0.2 kg/m probe length
Rope probe 4 mm	Approx. 0.1 kg/m probe length	Rod probe 16 mm	Approx. 1.6 kg/m probe length

**Materials: GT18 housing (stainless steel, corrosion-resistant)**

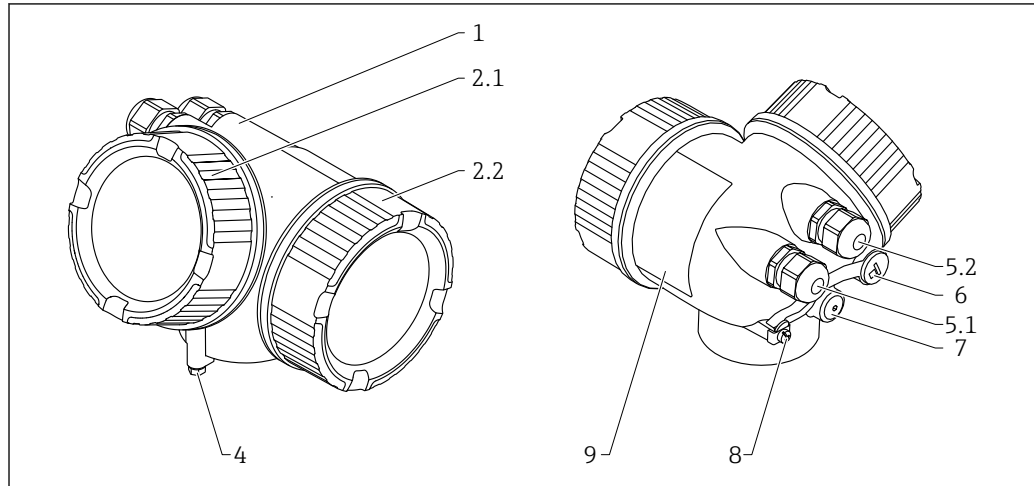


A0036037

40 Material; GT18 housing

- 1 Housing; CF3M (similar to 316L/ 1.4404)
- 2.1 Electronics compartment cover; CF3M (similar to 316L/ 1.4404), seals; NBR, window; glass, thread coating; graphite-based lubricant varnish
- 2.2 Connection compartment cover; CF3M (similar to 316L/ 1.4404), seal; NBR, thread coating; graphite-based lubricant varnish
- 3 Cover lock; 316L (1.4404), A4
- 4 Lock at the housing neck; 316L (1.4404), A4-70
- 5.1 Dummy plug, gland, adapter or plug (depending on the device version); 316L (1.4404), NBR, Viton, EPDM, PE, PBT-GF, nickel-plated brass (CuZn)
- 5.2 Dummy plug, gland, adapter or plug (depending on the device version); 316L (1.4404), NBR
- 6 Dummy plug or M12 socket (depending on the device version); 316L (1.4404)
- 7 Pressure relief plug; 316L (1.4404)
- 8 Ground terminal; 316L (1.4404), A4 (1.4571)
- 9 Nameplate; 316L (1.4404), A4 (1.4571)

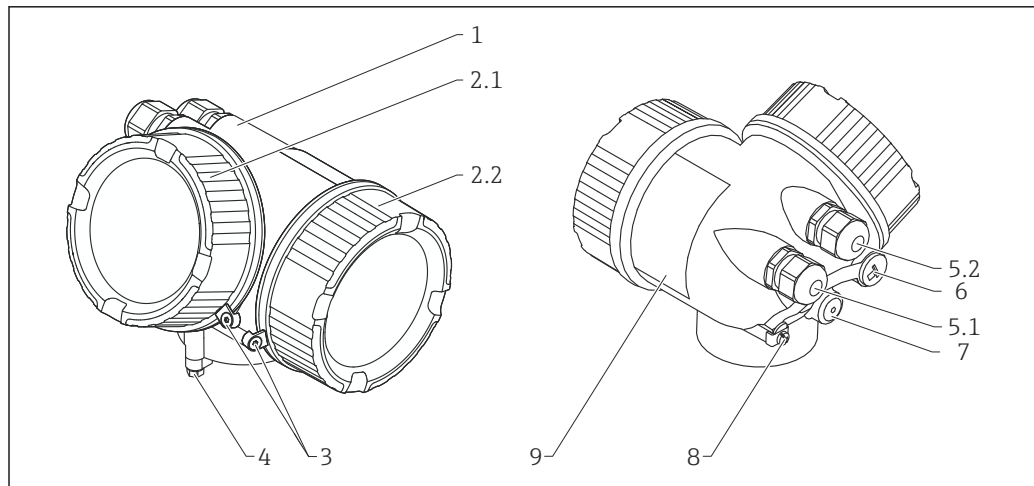
**Materials: GT19 housing (plastic)**



41 Material; GT19 housing

- 1 Housing; PBT
- 2.1 Electronics compartment cover; PBT-PC, seals; EPDM, window; PC, thread coating; graphite-based lubricant varnish
- 2.2 Connection compartment cover; PBT, seal; EPDM, thread coating; graphite-based lubricant varnish
- 4 Lock at the housing neck; 316L (1.4404), A4-70
- 5.1 Dummy plug, gland, adapter or plug (depending on the device version); 316L (1.4404), EPDM, PE, PBT-GF, nickel-plated brass (CuZn), PA
- 5.2 Dummy plug, gland, adapter or plug (depending on the device version); 316L (1.4404), EPDM, PE, PBT-GF, galvanized steel, nickel-plated brass (CuZn), PA
- 6 Dummy plug; nickel-plated brass (CuZn), M12 socket; GD-Zn nickel-plated
- 7 Pressure relief plug; nickel-plated brass (CuZn)
- 8 Ground terminal; 316L (1.4404), A4 (1.4571)
- 9 Adhesive nameplate; plastic

**Materials: GT20 housing (die-cast aluminum, powder-coated)**



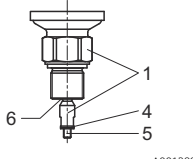
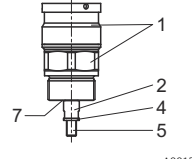
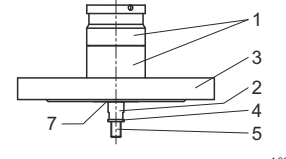
42 Material; GT20 housing

- 1 Housing RAL 5012 (blue); AlSi10Mg (<0.1% Cu), coating; polyester
- 2.1 Electronics compartment cover RAL 7035 (gray); AlSi10Mg (<0.1% Cu), seals; NBR, window; glass, thread coating; graphite-based lubricant varnish
- 2.2 Connection compartment cover RAL 7035 (gray); AlSi10Mg (<0.1% Cu), seals; NBR, thread coating; graphite-based lubricant varnish
- 3 Cover lock; 316L (1.4404), A4
- 4 Lock at the housing neck; 316L (1.4404), A4-70
- 5.1 Dummy plug, gland, adapter or plug (depending on the device version); 316L (1.4404), EPDM, PE, PBT-GF, nickel-plated brass (CuZn), PA
- 5.2 Dummy plug, gland, adapter or plug (depending on the device version); 316L (1.4404), EPDM, PE, PBT-GF, galvanized steel, nickel-plated brass (CuZn), PA
- 6 Dummy plug; nickel-plated brass (CuZn), M12 socket; GD-Zn nickel-plated
- 7 Pressure relief plug; nickel-plated brass (CuZn)
- 8 Ground terminal; 316L (1.4404), A4 (1.4571)
- 9 Adhesive nameplate; plastic

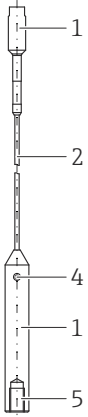
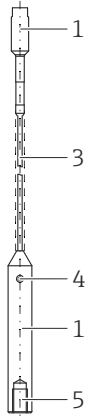
**Materials: Process connection**




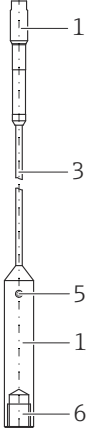
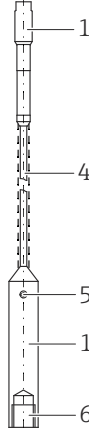
Endress+Hauser supplies DIN/EN stainless steel flanges as per AISI 316L (DIN/ EN material number 1.4404 or 14435). With regard to their stability-temperature property, the materials 1.4404 and 1.4435 are grouped together under 13E0 in EN 1092-1: 2007 Tab. G.3.1-1. The chemical composition of the two materials can be identical.

Levelflex FMP56, FMP57				
Threaded connection		Flange	No.	Material
<i>G3/4, NPT3/4</i>	<i>G1 1/2, NPT1 1/2</i>			
			1	304 (1.4301)
			2	316L (1.4404)
			3	ASME: 316/316L EN: 316L (1.4404) JIS: 316L (1.4435)
			4	Nordlock washer: 1.4547
			5	1.4462, Duplex CR22
			6	PPS-GF40
			7	PEEK GF30

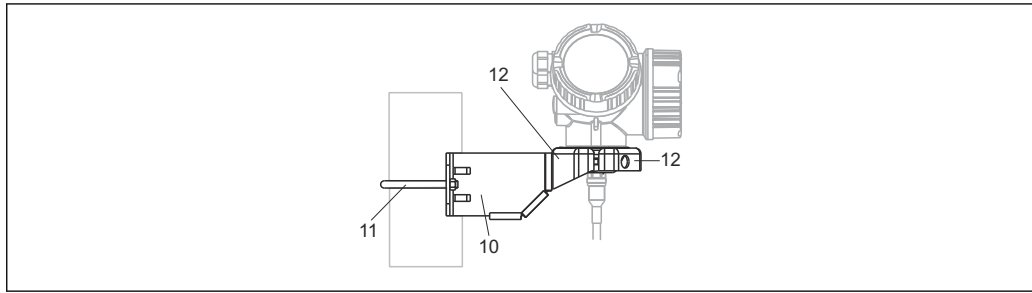
Levelflex FMP56, FMP57 - standard probes

Feature 060 "Probe"		No.	Material
<ul style="list-style-type: none"> <li>▪ LA: rope 4mm, 316</li> <li>▪ LB: rope 1/6", 316</li> </ul>	<ul style="list-style-type: none"> <li>▪ NB: rope 6mm, PA&gt;steel</li> <li>▪ NE: rope 1/4", PA&gt;steel</li> </ul>		
 <p style="text-align: center;">A0036600</p>	 <p style="text-align: center;">A0036601</p>	1	316L (1.4404)
		2	316 (1.4401)
		3	Rope: steel, galvanized Coating 1 mm (0.04 in): PA 12 (Vestamid L 1940)
		4	Setscrew: A4-70
		5	Bracing screw: A2-70

Levelflex FMP57 - additional probes

Feature 060 "Probe"			No.	Material
<ul style="list-style-type: none"> <li>▪ AE: ...mm, rod 16mm</li> <li>▪ AF: ...inch, rod 16mm</li> </ul>	<ul style="list-style-type: none"> <li>▪ LC: rope 6mm, 316</li> <li>▪ LD: rope 1/4", 316</li> </ul>	<ul style="list-style-type: none"> <li>▪ NC: rope 8mm, PA&gt;steel</li> <li>▪ NF: rope 1/3", PA&gt;steel</li> </ul>		
 <p style="text-align: center;">A0013891</p>	 <p style="text-align: center;">A0013892</p>	 <p style="text-align: center;">A0013893</p>	1	304 (1.4301)
			2	316L (1.4404)
			3	316 (1.4401)
			4	Rope: steel, galvanized Coating 1 mm (0.04 in): PA 12 (Vestamid L 1940)
			5	Setscrew: A4-70
			6	Bracing screw: A2-70

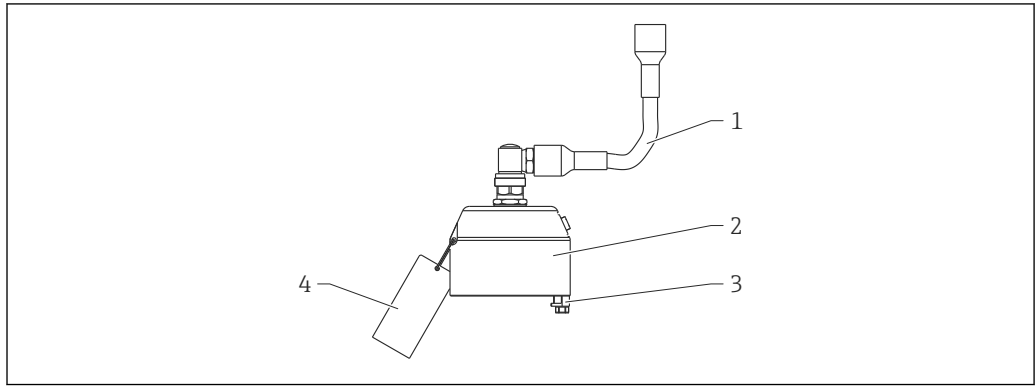
**Materials: Mounting bracket**



A0015143

Mounting bracket for "remote sensor" version		
No.	Component	Material
10	Holder	316L (1.4404)
11	Round bracket	316Ti (1.4571)
	Screws/nuts	A4-70
	Distance sleeves	316Ti (1.4571) or 316L (1.4404)
12	Half-shells	316L (1.4404)

**Materials: Adapter and cable for remote sensor**

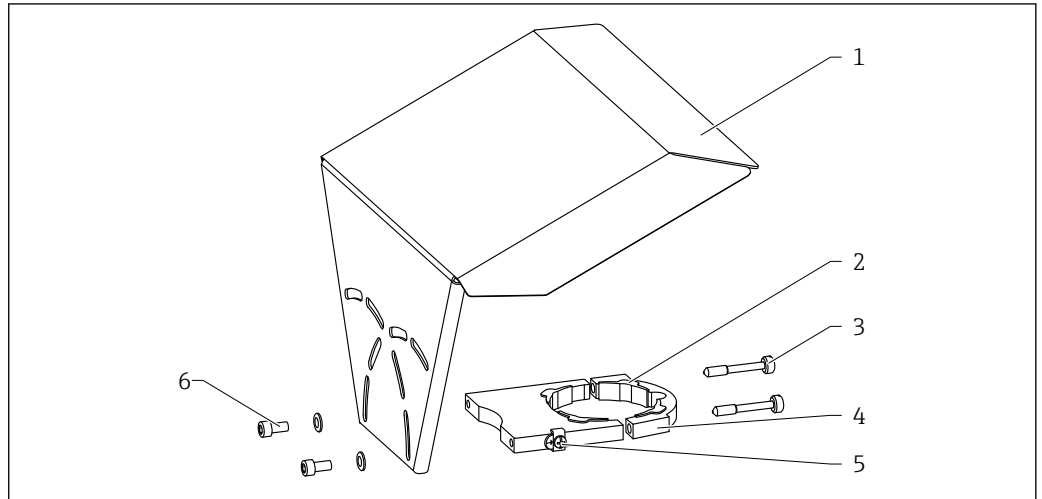


A0021722

Adapter and cable for "remote sensor" version		
No.	Component	Material
1	Cable	FRNC
2	Sensor adapter	304 (1.4301)
3	Terminal	316L (1.4404)
	Screw	A4-70
4	Band	316 (1.4401)
	Crimp sleeve	Aluminum
	Nameplate	304 (1.4301)



**Materials: weather protection cover**



A0015473

43 Material; weather protection cover

- 1 Protection cap; 316L (1.4404)
- 2 Molded rubber part (4x); EPDM
- 3 Clamping screw; 316L (1.4404) + carbon fiber
- 4 Bracket; 316L (1.4404)
- 5 Ground terminal; A4, 316L (1.4404)
- 6 Fillister-head screw; A4-70 + washer; A4

## Operability


**Operating concept**

**Operator-oriented menu structure for user-specific tasks**

- Commissioning
- Operation
- Diagnostics
- Expert level

**Operating languages**

- English
- Deutsch
- Français
- Español
- Italiano
- Nederlands
- Portuguesa
- Polski
- русский язык (Russian)
- Svenska
- Türkçe
- 中文 (Chinese)
- 日本語 (Japanese)
- 한국어 (Korean)
- Bahasa Indonesia
- tiếng Việt (Vietnamese)
- čeština (Czech)

 Feature 500 in the product structure determines which of these languages is preset on delivery.

**Fast and safe commissioning**

- Interactive wizard with graphical user interface for guided commissioning in FieldCare/DeviceCare
- Menu guidance with short explanations of the individual parameter functions
- Standardized operation at the device and in the operating tools

**Integrated data memory (HistoROM)**

- Adoption of data configuration when electronics modules are replaced
- Up to 100 event messages recorded in the device
- Data logging with up to 1000 logged values
- A reference signal curve is saved during commissioning for later use as a reference during operation

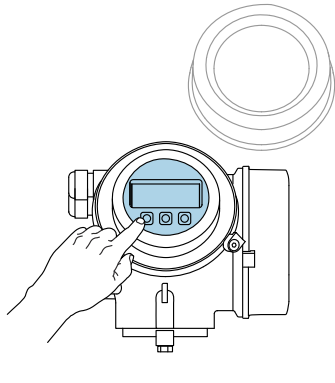
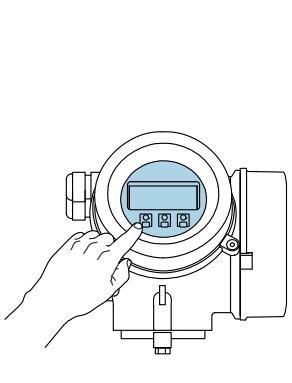
**Efficient diagnostic behavior increases measurement availability**

- Remedial measures are integrated in plain text
- Diverse simulation options and line recorder functions

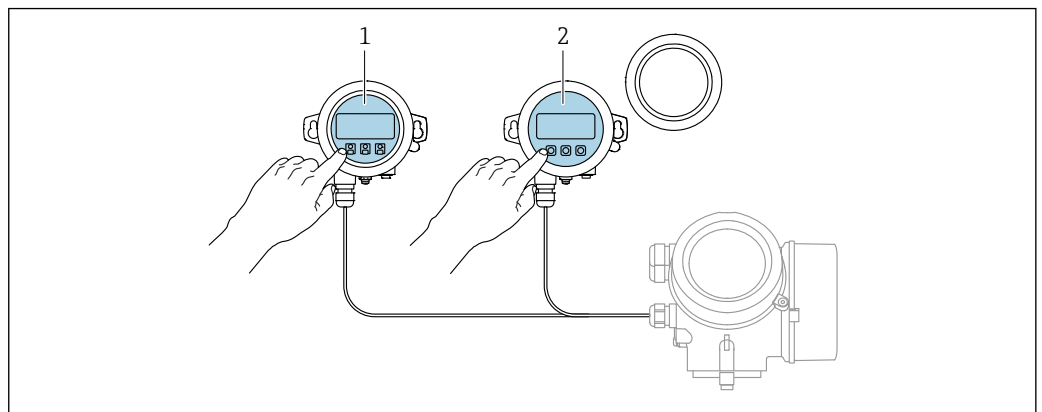
**Integrated Bluetooth module (option for HART devices)**

- Quick and easy setup with the SmartBlue app
- No additional tools or adapters needed
- Signal curve via SmartBlue (app)
- Encrypted single point-to-point data transmission (tested by Fraunhofer Institute) and password-protected communication via *Bluetooth*<sup>®</sup> wireless technology

**Local operation**

<b>Operation with</b>	<i>Pushbuttons</i>	<i>Touch Control</i>
<b>Order code for "Display; Operation"</b>	Option C "SD02"	Option E "SD03"
		
<b>Display elements</b>	4-line display	4-line display white background lighting; switches to red in event of device error
	Format for displaying measured variables and status variables can be individually configured	
	Permitted ambient temperature for the display: -20 to +70 °C (-4 to +158 °F) The readability of the display may be impaired at temperatures outside the temperature range.	
<b>Operating elements</b>	local operation with 3 push buttons (⊕, ⊖, ⊞)	external operation via touch control; 3 optical keys: ⊕, ⊖, ⊞
	Operating elements also accessible in various hazardous areas	
<b>Additional functionality</b>	Data backup function The device configuration can be saved in the display module.	
	Data comparison function The device configuration saved in the display module can be compared to the current device configuration.	
	Data transfer function The transmitter configuration can be transmitted to another device using the display module.	

**Operation with remote display and operating module FHX50**

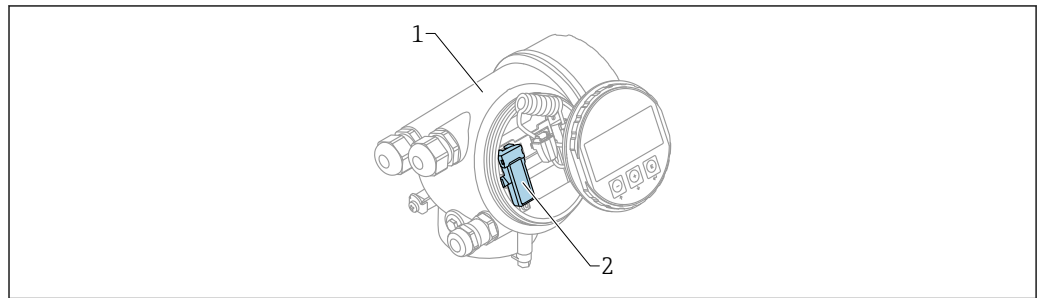


44 FHX50 operating options

- 1 Display and operating module SD03, optical keys; can be operated through the glass of the cover
- 2 Display and operating module SD02, push buttons; cover must be removed

**Operation via Bluetooth® wireless technology**

**Requirements**



A0036790

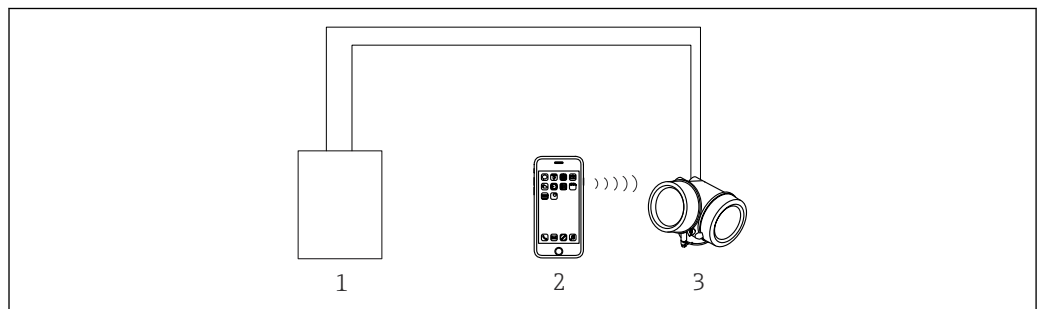
45 Device with Bluetooth module

- 1 Electronics housing of the device
- 2 Bluetooth module

This operation option is only available for devices with Bluetooth module. There are the following options:

- The device has been ordered with a Bluetooth module: Feature 610 "Accessory Mounted", option NF "Bluetooth"
- The Bluetooth module has been ordered as an accessory (ordering number: 71377355) and has been mounted. See Special Documentation SDO2252F.

**Operation via SmartBlue (app)**



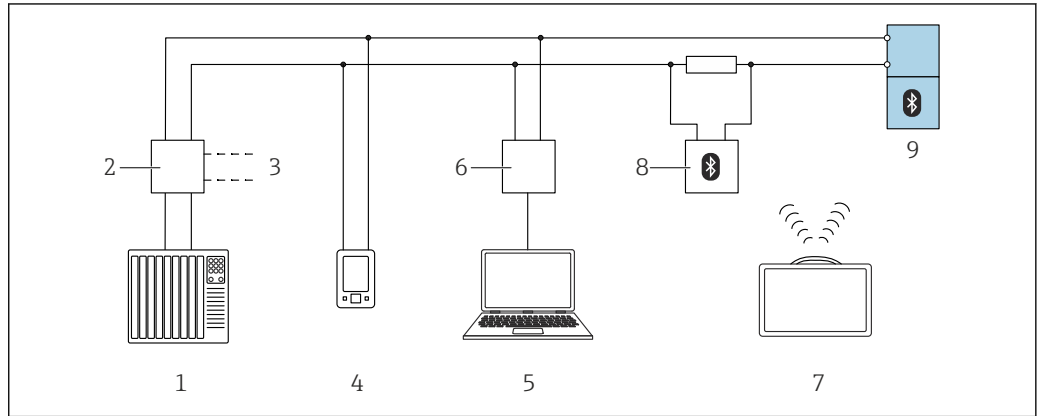
A0034939

46 Operation via SmartBlue (app)

- 1 Transmitter power supply unit
- 2 Smartphone / tablet with SmartBlue (app)
- 3 Transmitter with Bluetooth module

Remote operation

Via HART protocol

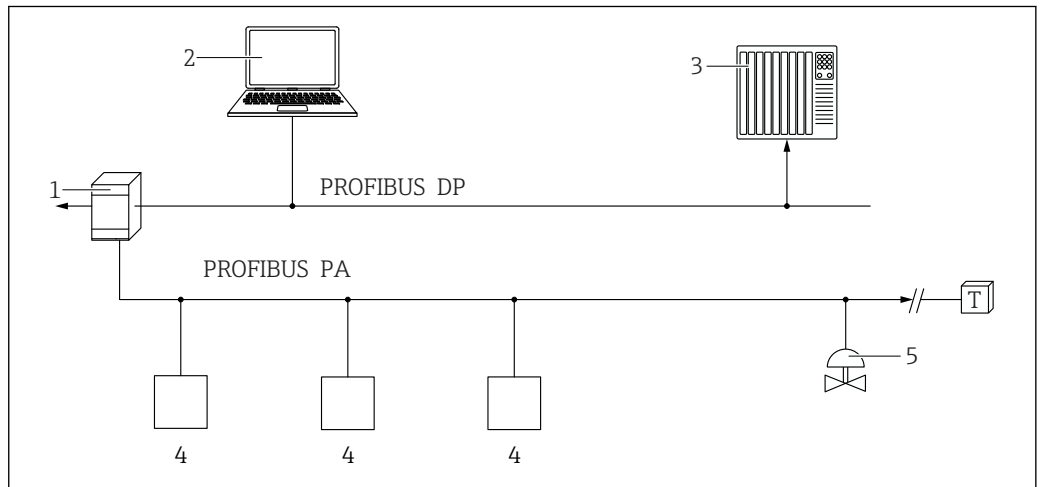


A0044334

47 Options for remote operation via HART protocol

- 1 PLC (programmable logic controller)
- 2 Transmitter power supply unit, e.g., RN42
- 3 Connection for Commubox FXA195 and AMS Trex™ device communicator
- 4 AMS Trex™ device communicator
- 5 Computer with operating tool (e.g., DeviceCare/FieldCare, AMS Device View, SIMATIC PDM)
- 6 Commubox FXA195 (USB)
- 7 Field Xpert SMT70
- 8 Bluetooth modem with connecting cable (e.g., VIATOR)
- 9 Transmitter

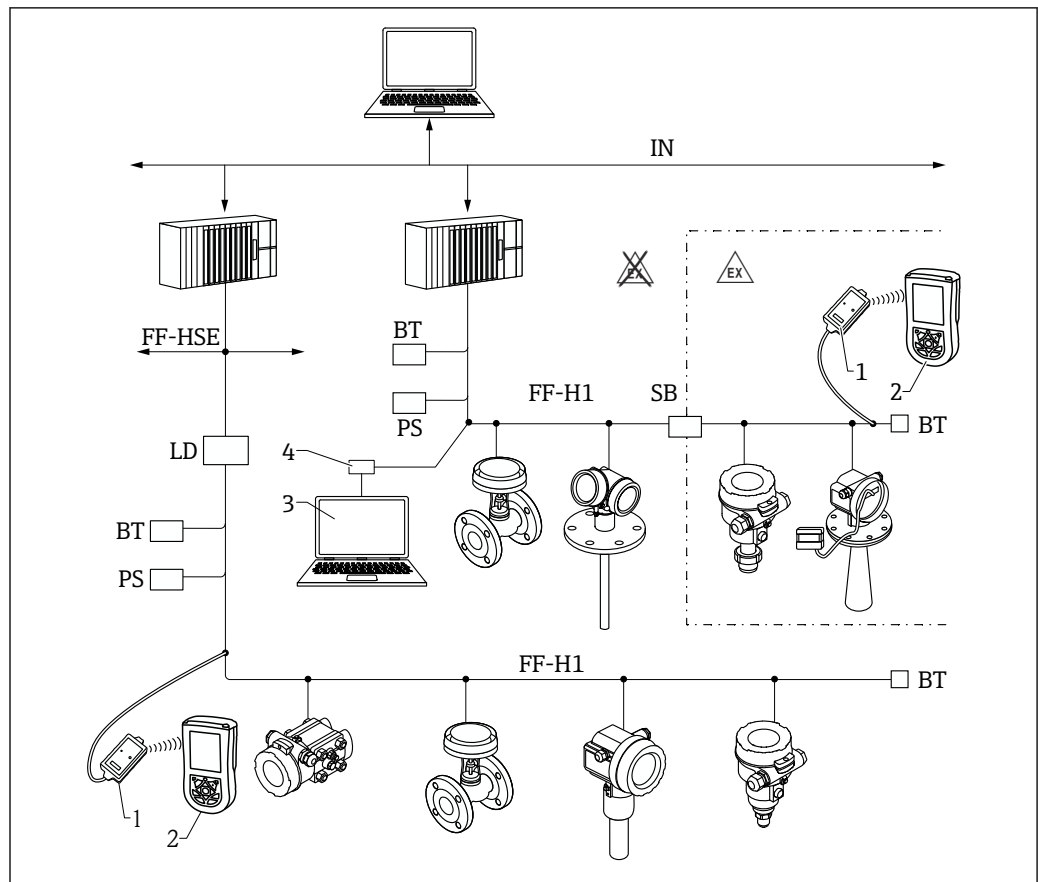
Via PROFIBUS PA protocol



A0050944

- 1 Segment coupler
- 2 Computer with PROFIBUS and operating tool (e.g. DeviceCare/FieldCare )
- 3 PLC (programmable logic controller)
- 4 Transmitter
- 5 Additional functions (valves etc.)

Via FOUNDATION Fieldbus



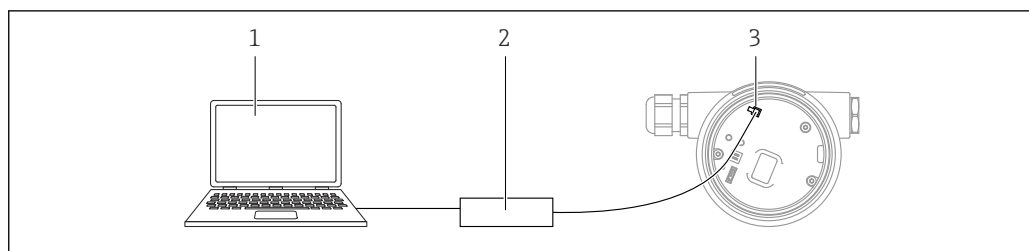
A0017188

48 FOUNDATION Fieldbus system architecture with associated components

- 1 FFblue Bluetooth modem
- 2 Field Xpert SFX350/SFX370
- 3 DeviceCare/FieldCare
- 4 NI-FF interface card

IN	Industrial network
FF-HSE	High Speed Ethernet
FF-H1	FOUNDATION Fieldbus-H1
LD	Linking Device FF-HSE/FF-H1
PS	Bus Power Supply
SB	Safety Barrier
BT	Bus Terminator

**Via service interface (CDI)**



- 1 Computer with FieldCare/DeviceCare operating tool
- 2 Commubox FXA291
- 3 Service interface (CDI) of the measuring device (= Endress+Hauser Common Data Interface)

---

**SupplyCare inventory management software**

SupplyCare is a web-based operating program for coordinating the flow of material and information along the supply chain. SupplyCare provides a comprehensive overview of the levels of geographically distributed tanks and silos, for instance, providing complete transparency over the current inventory situation, regardless of time and location.

Based on the measuring and transmission technology installed onsite, the current inventory data are collected and sent to SupplyCare. Critical levels are clearly indicated and calculated forecasts provide additional security for material requirements planning.

The main functions of SupplyCare:

**Inventory visualization**

SupplyCare determines the inventory levels in tanks and silos at regular intervals. It displays current and historical inventory data and calculated forecasts of future demand. The overview page can be configured to suit the user's preferences.

**Master data management**

With SupplyCare you can create and manage the master data for locations, companies, tanks, products and users, as well as user authorization.

**Report Configurator**

The Report Configurator can be used to create personalized reports quickly and easily. The reports can be saved in a variety of formats, such as Excel, PDF, CSV and XML. The reports can be transmitted in many ways, such as by http, ftp or e-mail.

**Event management**

Events, such as when levels drop below the safety stock level or plan points, are indicated by the software. In addition, SupplyCare can also notify pre-defined users by e-mail.

**Alarms**

If technical problems occur, e.g. connection issues, alarms are triggered and alarm e-mails are sent to the System Administrator and the Local System Administrator.

**Delivery planning**

The integrated delivery planning function automatically generates an order proposal if a pre-set minimum inventory level is undershot. Scheduled deliveries and disposals are monitored continuously by SupplyCare. SupplyCare notifies the user if scheduled deliveries and disposals are not going to be met as planned.

**Analysis**

In the Analysis module, the most important indicators for the inflow and outflow of the individual tanks are calculated and displayed as data and charts. Key indicators of material management are automatically calculated and form the basis for optimizing the delivery and storage process.

**Geographical visualization**

All the tanks and the tank inventories are represented graphically on a map (based on Google Maps). The tanks and inventory situations can be filtered by tank group, product, supplier or location.

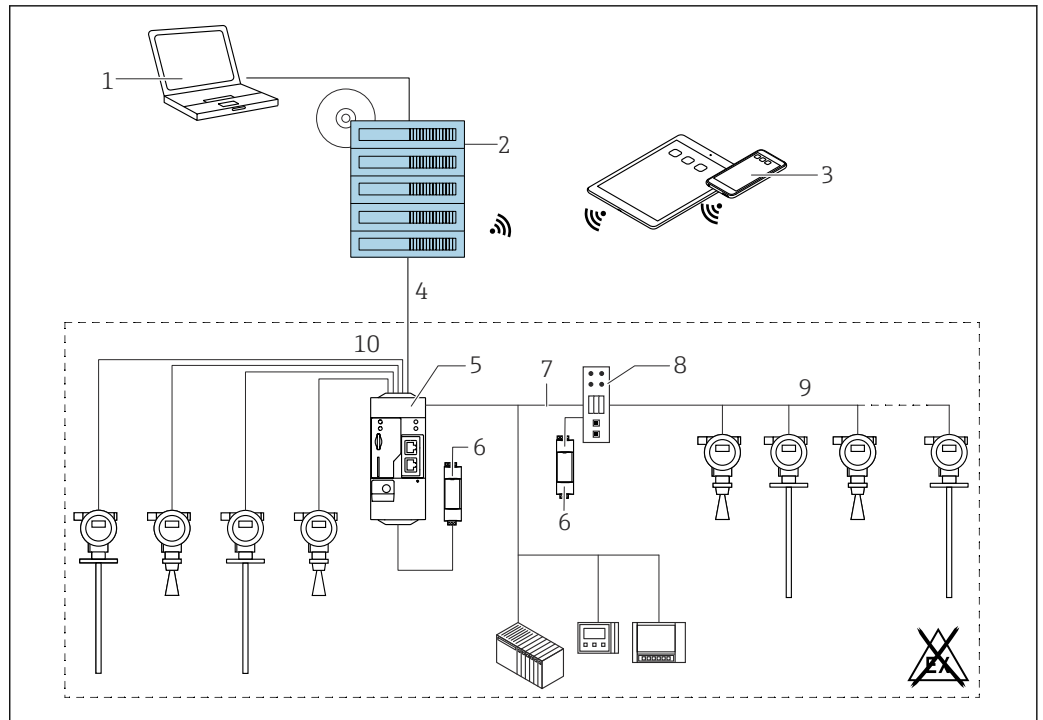
**Multi-language support**

The multi-language user interface supports 9 languages, thereby enabling global collaboration on a single platform. The language and settings are recognized automatically using the browser settings.

**SupplyCare Enterprise**

SupplyCare Enterprise runs by default as a service under Microsoft Windows on an application server in an Apache Tomcat environment. The operators and administrators operate the application via a Web browser from their workstations.





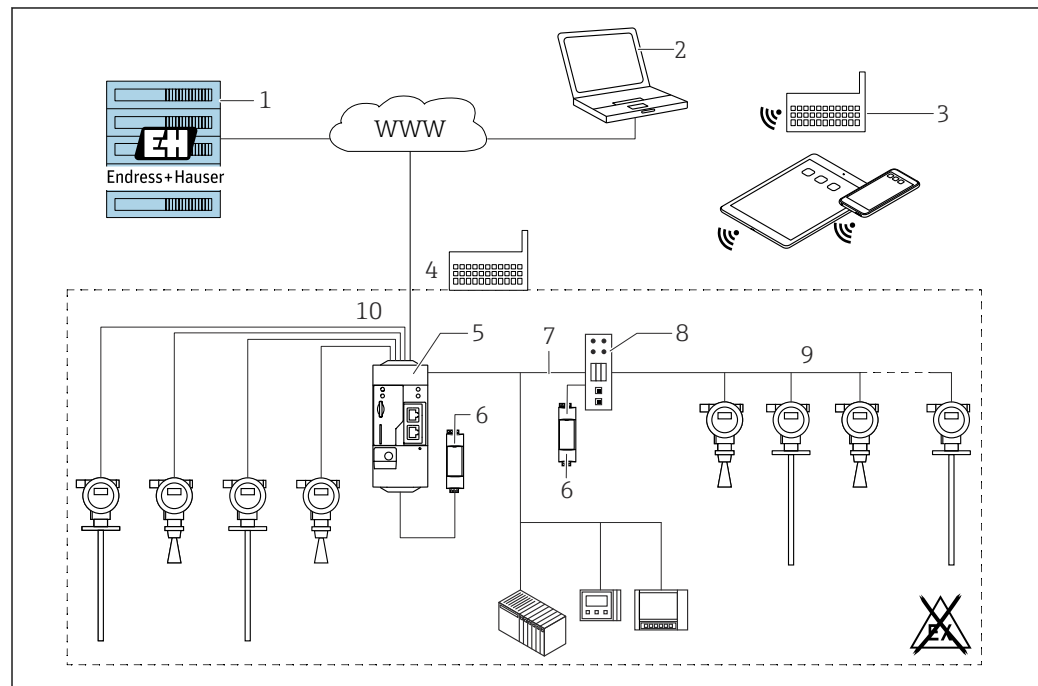
A0034288

49 Example of inventory management platform with SupplyCare Enterprise SCE30B

- 1 SupplyCare Enterprise (via Web browser)
- 2 SupplyCare Enterprise installation
- 3 SupplyCare Enterprise on mobile devices (via Web browser)
- 4 Ethernet/WLAN/UMTS
- 5 Fieldgate FXA42
- 6 Power supply 24 V DC
- 7 Modbus TCP via Ethernet as server/client
- 8 Converter from Modbus to HART Multidrop
- 9 HART Multidrop
- 10 4 x 4 to 20 mA analog input (2-wire/4-wire)

### Cloud-based application: SupplyCare Hosting

SupplyCare Hosting is offered as a hosting service (software as a service). Here, the software is installed within the Endress+Hauser IT infrastructure and made available to the user in the Endress+Hauser portal.



A0034289

50 Example of inventory management platform with SupplyCare Hosting SCH30



- 1 SupplyCare Hosting installation in Endress+Hauser data center
- 2 PC workstation with Internet connection
- 3 Warehouse locations with Internet connection via 2G/3G with FXA42 or FXA30
- 4 Warehouse locations with Internet connection with FXA42
- 5 Fieldgate FXA42
- 6 Power supply 24 V DC
- 7 Modbus TCP via Ethernet as server/client
- 8 Converter from Modbus to HART Multidrop
- 9 HART Multidrop
- 10 4 x 4 to 20 mA analog input (2-wire/4-wire)

With SupplyCare Hosting, users do not need to make the initial software purchase or install and run the IT infrastructure needed. Endress+Hauser constantly update SupplyCare Hosting and enhance the capability of the software in conjunction with the customer. The hosted version of SupplyCare is thus always up-to-date and can be customized to meet different customer requirements. Other services are also offered in addition to the IT infrastructure and the software that is installed in a secure, redundant Endress+Hauser data center. These services include defined availability of the global Endress+Hauser Service and Support Organization and defined response times in a service event.

## Certificates and approvals

Current certificates and approvals that are available for the product can be selected via the Product Configurator at [www.endress.com](http://www.endress.com):

1. Select the product using the filters and search field.
2. Open the product page.
3. Select **Configuration**.

<b>CE mark</b>	<p>The measuring system meets the legal requirements of the applicable EU directives. These are listed in the corresponding EU Declaration of Conformity together with the standards applied.</p> <p>The manufacturer confirms successful testing of the device by affixing to it the CE mark.</p>
<b>RoHS</b>	<p>The measuring system meets the substance restrictions of the Directive on the Restriction of the Use of Certain Hazardous Substances 2011/65/EU (RoHS 2) and the Delegated Directive (EU) 2015/863 (RoHS 3).</p>
<b>RCM marking</b>	<p>The supplied product or measuring system meets the ACMA (Australian Communications and Media Authority) requirements for network integrity, interoperability, performance characteristics as well as health and safety regulations. Here, especially the regulatory arrangements for electromagnetic compatibility are met. The products bear the RCM marking on the nameplate.</p> <div style="text-align: center; border: 1px solid black; width: 100px; height: 100px; margin: 10px auto;">  </div> <p style="text-align: right; font-size: small;">A0029561</p>
<b>Ex-approval</b>	<p>The devices are certified for use in hazardous areas and the relevant safety instructions are provided in the separate "Safety Instructions" (XA, ZD) document. Reference is made to this document on the nameplate.</p> <p> The separate "Safety Instructions" documentation (XA) containing all the relevant explosion protection data is available from your Endress+Hauser sales organization.</p>
<b>Dual seal according to ANSI/ISA 12.27.01</b>	<p>The devices have been designed according to ANSI/ISA 12.27.01 as dual seal devices, allowing the user to waive the use and save the cost of installing external secondary process seals in the conduit as required by the process sealing sections of ANSI/NFPA 70 (NEC) and CSA 22.1 (CEC) These instruments comply with the North-American installation practice and provide a very safe and cost-saving installation for pressurized applications with hazardous fluids.</p> <p>Further information can be found in the Safety Instructions (XA) of the relevant devices.</p>
<b>Functional safety</b>	<p>Use for level monitoring (MIN, MAX, range) up to SIL 3 (homogeneous redundancy), independently evaluated by TÜV Rheinland in accordance with IEC 61508, refer to the "Functional Safety Manual" SD00326F for more information.</p>
<b>ASME B31.1 and B31.3</b>	<ul style="list-style-type: none"> <li>■ The design, the material used, the pressure and temperature ranges and the labeling of the devices meet the requirements of ASME B31.1 and B31.3</li> <li>■ Declaration of Conformity: see the product structure, feature 580, version KV.</li> </ul>
<b>Pressure equipment with allowable pressure ≤ 200 bar (2 900 psi)</b>	<p>Pressure instruments with a flange and threaded boss that do not have a pressurized housing do not fall within the scope of the Pressure Equipment Directive, irrespective of the maximum allowable pressure.</p> <p><b>Reasons:</b></p> <p>According to Article 2, point 5 of EU Directive 2014/68/EU, pressure accessories are defined as "devices with an operational function and having pressure-bearing housings".</p> <p>If a pressure instrument does not have a pressure-bearing housing (no identifiable pressure chamber of its own), there is no pressure accessory present within the meaning of the Directive.</p>

**Marine approval**

Device	Marine approval <sup>1)</sup>				
	DNV GL	ABS	LR	BV	KR
FMP56	-	-	-	-	-
FMP57	✓	✓	✓	✓	-

1) See order code for 590 "Additional approval"

**Radio approval**

Satisfies "Part 15" of the FCC rules for an unintentional radiator. All probes meet the requirements for a Class A digital device.


In addition, coax probes and all probes in metal vessels meet the requirements for a Class B digital device.

**CRN approval**

Some device versions have CRN approval. Devices are CRN approved if the following two conditions are met:

- The device has a CSA or FM approval (product structure: feature 010 "Approval")
- The device has a CRN-approved process connection according to the following table:

Feature 100 in the product structure	Approval
AEJ	NPS 1-1/2" Cl. 150 RF, 316/316L flange ASME B16.5
AFJ	NPS 2" Cl. 150 RF, 316/316L flange ASME B16.5
AGJ	NPS 3" Cl. 150 RF, 316/316L flange ASME B16.5
AHJ	NPS 4" Cl. 150 RF, 316/316L flange ASME B16.5
AJJ	NPS 6" Cl. 150 RF, 316/316L flange ASME B16.5
AKJ	NPS 8" Cl. 150 RF, 316/316L flange ASME B16.5
GGE	Thread ISO228 G1-1/2, 304
RGE	Thread ANSI MNPT1-1/2, 304

-  ▪ Process connections that do not have CRN approval are not listed in this table.
- Please refer to the product structure to discover which process connections are available for a specific device type.
- CRN-approved devices are labeled with registration number OF14480.5C on the nameplate.

**Experience**

FMP5x is the upgrade model of the FMP4x series.

**Test, certificate**

Feature 580 "Test, certificate"	Designation	Approval
JD	3.1 Material certificate, pressurized parts, EN10204-3.1 inspection certificate	FMP57
KV	Declaration of Conformity ASME B31.3: The design, the material used, the pressure and temperature ranges and the labeling of the devices meet the requirements of ASME B31.3	FMP57



Test reports, declarations and inspection certificates are available in electronic format in the *W@M Device Viewer*:

Enter the serial number from the nameplate ([www.endress.com/deviceviewer](http://www.endress.com/deviceviewer))

This concerns the options for the following order codes:

- 550 "Calibration"
- 580 "Test, certificate"

**Product documentation on paper**

A printed (hard copy) version of test reports, declarations and inspection certificates can optionally be ordered via order code 570 "Service", option I7 "Product documentation on paper". The documents are then supplied with the product.

**Other standards and guidelines**

- EN 60529  
Degrees of protection provided by enclosures (IP code)
- EN 61010-1  
Safety requirements for electrical equipment for measurement, control and laboratory use
- IEC/EN 61326  
"Emission in accordance with Class A requirements". Electromagnetic compatibility (EMC requirements).
- NAMUR NE 21  
Electromagnetic compatibility (EMC) of industrial process and laboratory control equipment
- NAMUR NE 43  
Standardization of the signal level for the breakdown information of digital transmitters with analog output signal.
- NAMUR NE 53  
Software of field devices and signal-processing devices with digital electronics
- NAMUR NE 107  
Status classification as per NE107
- NAMUR NE 131  
Requirements for field devices for standard applications
- IEC61508  
Functional safety of safety-related electric/electronic/programmable electronic systems

## Ordering information

---

### Ordering information

Detailed ordering information is available for your nearest sales organization [www.addresses.endress.com](http://www.addresses.endress.com) or in the Product Configurator under [www.endress.com](http://www.endress.com) :

1. Click Corporate
2. Select the country
3. Click Products
4. Select the product using the filters and search field
5. Open the product page


The Configuration button to the right of the product image opens the Product Configurator.



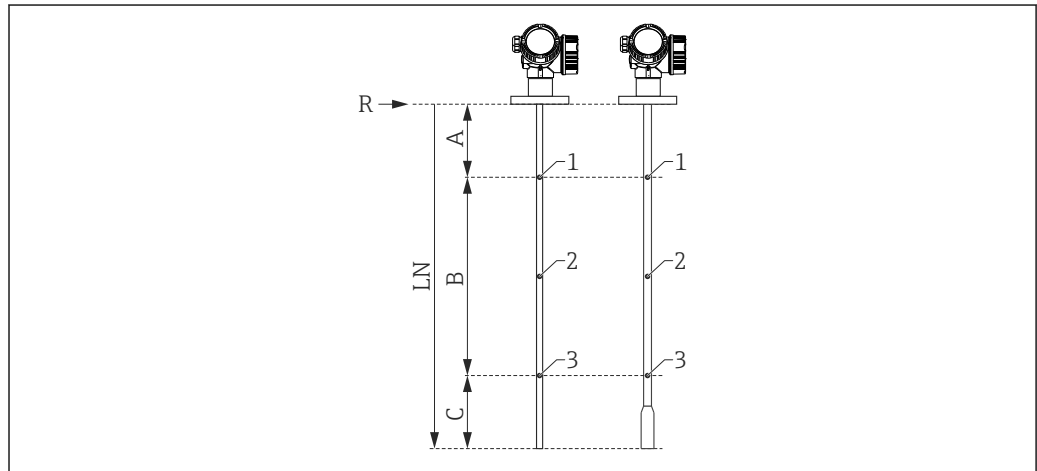
#### **Product Configurator - the tool for individual product configuration**

- Up-to-the-minute configuration data
- Depending on the device: Direct input of measuring point-specific information such as measuring range or operating language
- Automatic verification of exclusion criteria
- Automatic creation of the order code and its breakdown in PDF or Excel output format
- Ability to order directly in the Endress+Hauser Online Shop

**3-point linearity protocol**

 The following points must be considered if option F3 (3-point linearity protocol) was selected in feature 550 ("Calibration").


The 3 points of the linearity protocol are defined as follows, depending on the selected probe:



A0021843

- A Distance from the reference point R to the first measuring point
- B Measuring range
- C Distance from the probe end to the third measuring point
- LN Probe length
- R Reference point of measurement
- 1 First measuring point
- 2 Second measuring point (in the middle between the first and third measuring point)
- 3 Third measuring point

	Rod probe	Rope probe LN ≤ 6 m (20 ft)	Rope probe LN > 6 m (20 ft)
Position of 1st measuring point	A = 350 mm (13.8 in)	A = 350 mm (13.8 in)	A = 350 mm (13.8 in)
Position of 2nd measuring point	In the middle between the 1st and 3rd measuring point	In the middle between the 1st and 3rd measuring point	In the middle between the 1st and 3rd measuring point
Position of 3rd measuring point	C = 250 mm (9.84 in)	C = 500 mm (19.7 in)	A+B = 5 500 mm (217 in)
Minimum measuring range	B ≥ 400 mm (15.7 in)	B ≥ 400 mm (15.7 in)	B ≥ 400 mm (15.7 in)
Minimum probe length	LN ≥ 1 000 mm (39.4 in)	LN ≥ 1 250 mm (49.2 in)	LN ≥ 1 250 mm (49.2 in)

 The position of the measuring points can vary by ±1 cm (±0.04 in).

 The linearity check is performed with the entire device and under reference operating conditions.

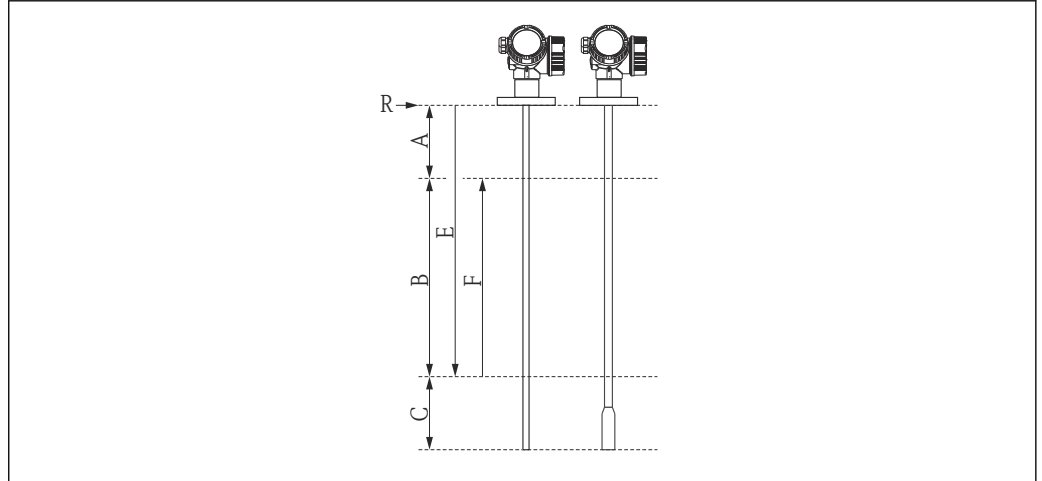


**5-point linearity protocol**

**i** The following points must be considered if option F4 (5-point linearity protocol) was selected in feature 550 ("Calibration").

The 5 points of the linearity protocol are evenly distributed over the measuring range (0% - 100%). **Empty calibration (E)** and **Full calibration (F)** must be specified in order to define the measuring range<sup>3)</sup>.

The following restrictions must be considered when selecting E and F:



A0014673

- A Distance from the reference point R to the 100% mark
- B Measuring range
- C Distance from the probe end to the 0% mark
- E Empty calibration
- F Full calibration
- R Reference point of measurement

Sensor	Minimum distance between reference point R and 100% mark	Minimum measuring range
FMP56 FMP57	A ≥ 250 mm (10 in)	B ≥ 400 mm (16 in)

Type of probe	Minimum distance from the probe end to the 0% mark	Maximum value for "Empty calibration"
Rod	C ≥ 100 mm (4 in)	E ≤ 3.9 m (12.8 ft)
Rope, FMP56	C ≥ 1 000 mm (40 in)	E ≤ 11 m (36 ft)
Rope, FMP57	C ≥ 1 000 mm (40 in)	E ≤ 23 m (75 ft)

**i** The linearity check is performed with the entire device and under reference operating conditions.

**i** The selected values for **Empty calibration** and **Full calibration** are only used to create the linearity protocol. Afterwards, the values are reset to the default values specific for the probe. If values other than the default values are required, they must be ordered as a customized parameterization → 82.

3) If (E) and (F) are not specified, probe-dependent default values will be used instead.

**Customized parameterization**

If the option IJ: "Customized parameterization HART", IK "Customized parameterization PA" or IL "Customized parameterization FF" has been selected in feature 570 "Service", presettings that differ from the default settings can be selected for the following parameters:

Parameter	Communication protocol	Picklist / value range
Setup → Unit of length	<ul style="list-style-type: none"> <li>■ HART</li> <li>■ PA</li> <li>■ FF</li> </ul>	<ul style="list-style-type: none"> <li>■ in</li> <li>■ ft</li> <li>■ mm</li> <li>■ m</li> </ul>
Setup → Empty calibration	<ul style="list-style-type: none"> <li>■ HART</li> <li>■ PA</li> <li>■ FF</li> </ul>	0 to 45 m (0 to 147 ft) <sup>1)</sup>
Setup → Full calibration	<ul style="list-style-type: none"> <li>■ HART</li> <li>■ PA</li> <li>■ FF</li> </ul>	0 to 45 m (0 to 147 ft) <sup>1)</sup>
Setup → Extended setup → Curr. output 1/2 → Damping	HART	0 to 999.9 s
Setup → Extended setup → Curr. output 1/2 → Failure mode	HART	<ul style="list-style-type: none"> <li>■ Min</li> <li>■ Max</li> <li>■ Last valid value</li> </ul>
Expert → Comm. → HART config. → Burst mode	HART	<ul style="list-style-type: none"> <li>■ Off</li> <li>■ On</li> </ul>

1) For FMP56: max. 12 m (36 ft)

**Labeling (optional)**

Various types of measuring point labeling can be selected in the Product Configurator.

This includes:

- Tag
- Adhesive label
- RFID TAG
- Labeling according to DIN91406, also with NFC.

**Tag name**

3 lines with a maximum of 18 characters per line

**Labeling in the electronic nameplate (ENP)**

The first 32 characters of the tag name

**Labeling on the display module**

The first 12 characters of the tag name

## Application packages

**Heartbeat Diagnostics****Availability**

Available in all device versions.

**Function**

- Continuous self-monitoring of the device.
- Diagnostic messages output to
  - the local display.
  - an asset management system (e.g. FieldCare/DeviceCare).
  - an automation system (e.g. PLC).

**Advantages**

- Device condition information is available immediately and processed in time.
- The status signals are classified in accordance with VDI/VDE 2650 and NAMUR recommendation NE 107 and contain information about the cause of the error and remedial action.

**Detailed description**

See the "Diagnostics and troubleshooting" section of the Operating Instructions for the device.

---

**Heartbeat Verification**

**Availability**

Available for the following versions of feature 540 "Application package":

- **EH**  
Heartbeat Verification + Monitoring
- **EJ**  
Heartbeat Verification

**Device functionality checked on demand**

- Verification of the correct functioning of the measuring device within specifications.
- The verification result provides information about the condition of the device: **Passed** or **Failed**.
- The results are documented in a verification report.
- The automatically generated report supports the obligation to demonstrate compliance with internal and external regulations, laws and standards.
- Verification is possible without interrupting the process.


**Advantages**

- No onsite presence is required to use the function.
- The DTM triggers verification in the device and interprets the results. No specific knowledge is required on the part of the user.  
(DTM: Device Type Manager; controls device operation via DeviceCare, FieldCare or a DTM-based process control system.)
- The verification report can be used to prove quality measures to a third party.
- **Heartbeat Verification** can replace other maintenance tasks (e.g. periodic check) or extend the test intervals.

**SIL/WHG-locked devices**

Only relevant for devices with SIL or WHG approval: order code 590 ("Additional approval"), option LA ("SIL") or LC ("WHG").

- The **Heartbeat Verification** module contains a wizard for the proof test which must be performed at appropriate intervals for the following applications:
  - SIL (IEC61508/IEC61511)
  - WHG (German Water Resources Act)
- To perform a proof test, the device must be locked (SIL/WHG locking).
- The wizard can be used via FieldCare, DeviceCare or a DTM-based process control system.

 In the case of SIL-locked and WHG-locked devices, it is **not** possible to perform verification without taking additional measures (e.g. bridging the output current) because the output current must be simulated (Increased safety mode) or the level must be approached manually (Expert mode) during subsequent re-locking (SIL/WHG locking).

**Detailed description**

 SD01872F

---

**Heartbeat Monitoring**


**Availability**

Available for the following versions of feature 540 "Application package":

- EH**  
Heartbeat Verification + Monitoring

**Function**

- In addition to the verification parameters, the corresponding parameter values are also logged.
- Existing measured variables, such as the echo amplitude, are used in the **Foam detection** and **Build-up detection** wizards.

 In the Levelflex FMP5x, the **Foam detection** and **Build-up detection** wizards cannot be used together.

**"Foam detection" wizard**

- The Heartbeat Monitoring module contains the **Foam detection** wizard.
- This wizard is used to configure automatic foam detection, which detects foam on the product surface on the basis of the reduced signal amplitude. Foam detection can be linked to a switch output in order to control a sprinkler system, for example, which dissolves the foam.
- This wizard can be used via FieldCare, DeviceCare or a DTM-based process control system.

**"Build-up detection" wizard**

- The Heartbeat Monitoring module contains the **Build-up detection** wizard.
- The wizard is used to configure automatic buildup detection, which detects the buildup of deposits on the probe on the basis of the reduced signal amplitude.
- This wizard can be used via FieldCare, DeviceCare or a DTM-based process control system.

**Advantages**

- Early detection of changes (trends) to ensure plant availability and product quality.
- Use of information for the proactive planning of measures (e.g. cleaning/maintenance).
- Identification of undesirable process conditions as the basis to optimizing the facility and the processes.
- Automated control of measures to remove foam or buildup.

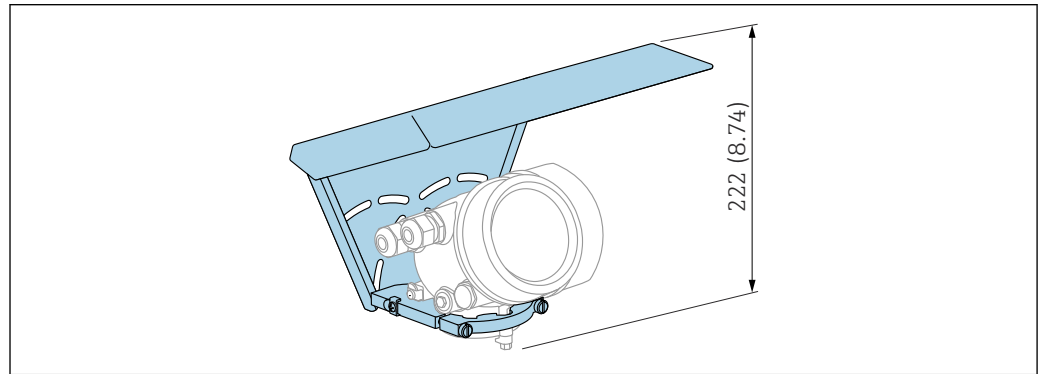
**Detailed description**

SD01872F

## Accessories

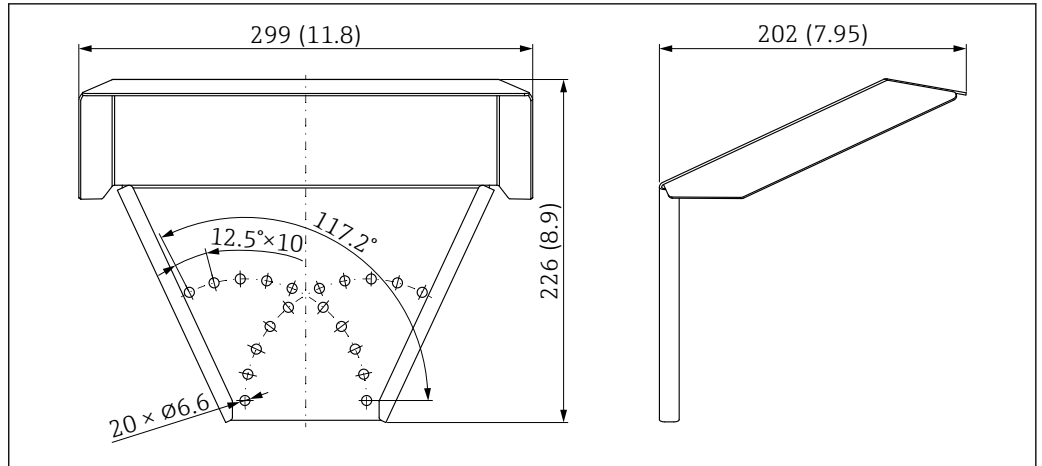
**Device-specific accessories****Weather protection cover**

The weather protection cover can be ordered together with the device via the "Accessory enclosed" product structure.



A0015466

51 Height. Unit of measurement mm (in)



A0015472

52 Dimensions. Unit of measurement mm (in)

**Material**  
316L

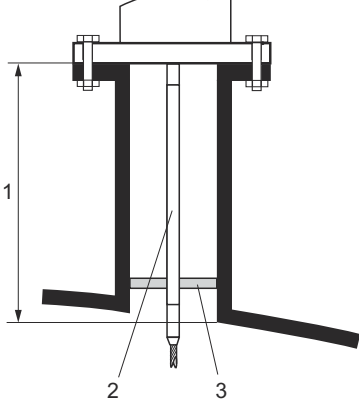
**Order number for accessories:**  
71162242

**Mounting bracket for electronics housing**

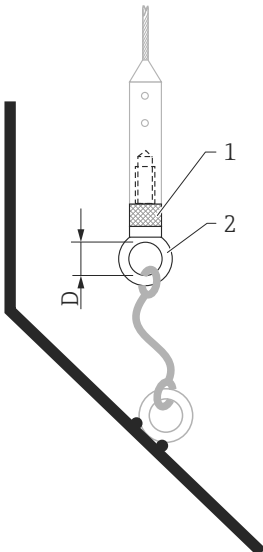
Accessories	Description
<p>Mounting bracket for electronics housing</p>	<div style="display: flex; justify-content: space-around;"> <div style="text-align: center;"> <p><b>A</b></p> </div> <div style="text-align: center;"> <p><b>B</b></p> </div> </div> <p>53 Mounting bracket for electronics housing; engineering unit: mm (in)</p> <p>A Wall mounting B Post mounting</p> <p><b>i</b> With "remote sensor" device versions (see feature O60 in the product structure), the mounting bracket is included in the scope of delivery. However, it can also be ordered separately as an accessory (order number: 71102216).</p>

A0014793

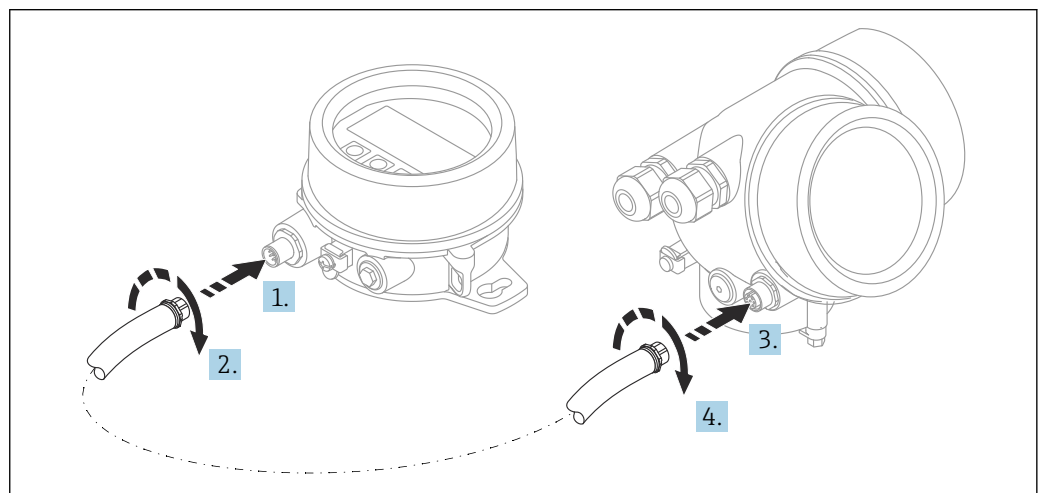
Rod extension / centering device

Accessories	Description																				
<p>Rod extension / centering device HMP40</p> <ul style="list-style-type: none"> <li>■ Suitable for: FMP57</li> <li>■ Permitted temperature at lower edge of nozzle:                             <ul style="list-style-type: none"> <li>■ without centering disk: no restriction</li> <li>■ with centering disk: -40 to +150 °C (-40 to +302 °F)</li> </ul> </li> <li>■ Additional information: SD01002F</li> </ul>	<div style="text-align: center;">  </div> <p style="text-align: right; font-size: small;">A0013597</p> <p>1 Nozzle height 2 Extension rod 3 Centering disk</p>																				
<p><b>010 Approval:</b></p>	<table border="1" style="width: 100%; border-collapse: collapse;"> <tr><td style="width: 50px;">A</td><td>Non-hazardous area</td></tr> <tr><td>M</td><td>FM DIP Cl.II Div.1 Gr.E-G N.I., Zone 21,22</td></tr> <tr><td>P</td><td>CSA DIP Cl.II Div.1 Gr.G + coal dust N.I.</td></tr> <tr><td>S</td><td>FM Cl.I, II, III Div.1 Gr.A-G N.I., Zone 0,1,2,20,21,22</td></tr> <tr><td>U</td><td>CSA Cl.I, II, III Div.1 Gr.A-G N.I., Zone 0,1,2</td></tr> <tr><td>1</td><td>ATEX II 1G</td></tr> <tr><td>2</td><td>ATEX II 1D</td></tr> </table>	A	Non-hazardous area	M	FM DIP Cl.II Div.1 Gr.E-G N.I., Zone 21,22	P	CSA DIP Cl.II Div.1 Gr.G + coal dust N.I.	S	FM Cl.I, II, III Div.1 Gr.A-G N.I., Zone 0,1,2,20,21,22	U	CSA Cl.I, II, III Div.1 Gr.A-G N.I., Zone 0,1,2	1	ATEX II 1G	2	ATEX II 1D						
A	Non-hazardous area																				
M	FM DIP Cl.II Div.1 Gr.E-G N.I., Zone 21,22																				
P	CSA DIP Cl.II Div.1 Gr.G + coal dust N.I.																				
S	FM Cl.I, II, III Div.1 Gr.A-G N.I., Zone 0,1,2,20,21,22																				
U	CSA Cl.I, II, III Div.1 Gr.A-G N.I., Zone 0,1,2																				
1	ATEX II 1G																				
2	ATEX II 1D																				
<p><b>020 Extension rod; height of nozzle:</b></p>	<table border="1" style="width: 100%; border-collapse: collapse;"> <tr><td style="width: 50px;">1</td><td>115mm; 150-250mm / 6-10"</td></tr> <tr><td>2</td><td>215mm; 250-350mm / 10-14"</td></tr> <tr><td>3</td><td>315mm; 350-450mm / 14-18"</td></tr> <tr><td>4</td><td>415mm; 450-550mm / 18-22"</td></tr> <tr><td>9</td><td>Special version; TSP no. to be specified</td></tr> </table>	1	115mm; 150-250mm / 6-10"	2	215mm; 250-350mm / 10-14"	3	315mm; 350-450mm / 14-18"	4	415mm; 450-550mm / 18-22"	9	Special version; TSP no. to be specified										
1	115mm; 150-250mm / 6-10"																				
2	215mm; 250-350mm / 10-14"																				
3	315mm; 350-450mm / 14-18"																				
4	415mm; 450-550mm / 18-22"																				
9	Special version; TSP no. to be specified																				
<p><b>030 Centering disk:</b></p>	<table border="1" style="width: 100%; border-collapse: collapse;"> <tr><td style="width: 50px;">A</td><td>Not selected</td></tr> <tr><td>B</td><td>DN40 / 1-1/2", inside-d. = 40-45mm, PPS</td></tr> <tr><td>C</td><td>DN50 / 2", inside-d. = 50-57mm, PPS</td></tr> <tr><td>D</td><td>DN80 / 3", inside-d. = 80-85mm, PPS</td></tr> <tr><td>E</td><td>DN80 / 3", inside-d. = 76-78mm, PPS</td></tr> <tr><td>G</td><td>DN100 / 4", inside-d. = 100-110mm, PPS</td></tr> <tr><td>H</td><td>DN150 / 6", inside-d. = 152-164mm, PPS</td></tr> <tr><td>J</td><td>DN200 / 8", inside-d. = 210-215mm, PPS</td></tr> <tr><td>K</td><td>DN250 / 10", inside-d. = 253-269mm, PPS</td></tr> <tr><td>Y</td><td>Special version; TSP no. to be specified</td></tr> </table>	A	Not selected	B	DN40 / 1-1/2", inside-d. = 40-45mm, PPS	C	DN50 / 2", inside-d. = 50-57mm, PPS	D	DN80 / 3", inside-d. = 80-85mm, PPS	E	DN80 / 3", inside-d. = 76-78mm, PPS	G	DN100 / 4", inside-d. = 100-110mm, PPS	H	DN150 / 6", inside-d. = 152-164mm, PPS	J	DN200 / 8", inside-d. = 210-215mm, PPS	K	DN250 / 10", inside-d. = 253-269mm, PPS	Y	Special version; TSP no. to be specified
A	Not selected																				
B	DN40 / 1-1/2", inside-d. = 40-45mm, PPS																				
C	DN50 / 2", inside-d. = 50-57mm, PPS																				
D	DN80 / 3", inside-d. = 80-85mm, PPS																				
E	DN80 / 3", inside-d. = 76-78mm, PPS																				
G	DN100 / 4", inside-d. = 100-110mm, PPS																				
H	DN150 / 6", inside-d. = 152-164mm, PPS																				
J	DN200 / 8", inside-d. = 210-215mm, PPS																				
K	DN250 / 10", inside-d. = 253-269mm, PPS																				
Y	Special version; TSP no. to be specified																				

**Mounting kit, insulated**

Accessories	Description
<p>Mounting kit, insulated suitable for</p> <ul style="list-style-type: none"> <li>■ FMP56</li> <li>■ FMP57</li> </ul>	<div style="text-align: right; font-size: small; margin-bottom: 10px;">A0013586</div>  <p>☑ 54 <i>Scope of delivery of mounting kit:</i></p> <ol style="list-style-type: none"> <li>1 <i>Insulation sleeve</i></li> <li>2 <i>Eye bolt</i></li> </ol> <p>To secure rope probes so that they are reliably insulated. Maximum process temperature: 150 °C (300 °F)</p> <p>For rope probes 4 mm (1/6 in) or 6 mm (1/4 in) with PA&gt;steel :</p> <ul style="list-style-type: none"> <li>■ Diameter D = 20 mm (0.8 in)</li> <li>■ Order number: 52014249</li> </ul> <p>For rope probes 6 mm (1/4 in) or 8 mm (1/3 in) with PA&gt;steel:</p> <ul style="list-style-type: none"> <li>■ Diameter D = 25 mm (1 in)</li> <li>■ Order number: 52014250</li> </ul> <p>Due to the risk of electrostatic charge, the insulation sleeve is not suitable for use in hazardous areas! In this case, the probe must be secured so that it is reliably grounded.</p> <p><b>i</b> The mounting kit can also be ordered directly with the device (Levelflex product structure, feature 620 "Accessory enclosed", version PG "mounting kit, insulated, rope").</p>

**Remote display FHX50**



A0019128

**Technical data**

- Material:
  - Plastic PBT
  - 316L/1.4404
  - Aluminum
- Degree of protection: IP68 / NEMA 6P and IP66 / NEMA 4x
- Suitable for display modules:
  - SD02 (push buttons)
  - SD03 (touch control)
- Connecting cable:
  - Cable supplied with device up to 30 m (98 ft)
  - Standard cable supplied by customer up to 60 m (196 ft)
- Ambient temperature: -40 to 80 °C (-40 to 176 °F)
- Ambient temperature (option): -50 to 80 °C (-58 to 176 °F) <sup>4)</sup>

**Ordering information**

- If the remote display is to be used, the device version "Prepared for display FHX50" must be ordered.  
For the FHX50, the option "Prepared for display FHX50" must be selected under "Measuring device version".
- If a measuring device has not been ordered with the version "Prepared for display FHX50" and is to be retrofitted with an FHX50, the version "Not prepared for display FHX50" must be ordered for the FHX50 under "Measuring device version". In this case, a retrofit kit for the device is supplied with the FHX50. The kit can be used to prepare the device so that the FHX50 can be used.



Use of the FHX50 may be restricted for transmitters with an approval. A device may only be retrofitted with the FHX50 if the option "Prepared for FHX50" is listed in the associated Safety Instructions (XA) under *Basic specifications*, "Display, operation".

Also pay attention to the Safety Instructions (XA) of the FHX50.

Retrofitting is not possible on transmitters with:

- An approval for use in areas with flammable dust (dust ignition-proof approval)
- Type of protection Ex nA



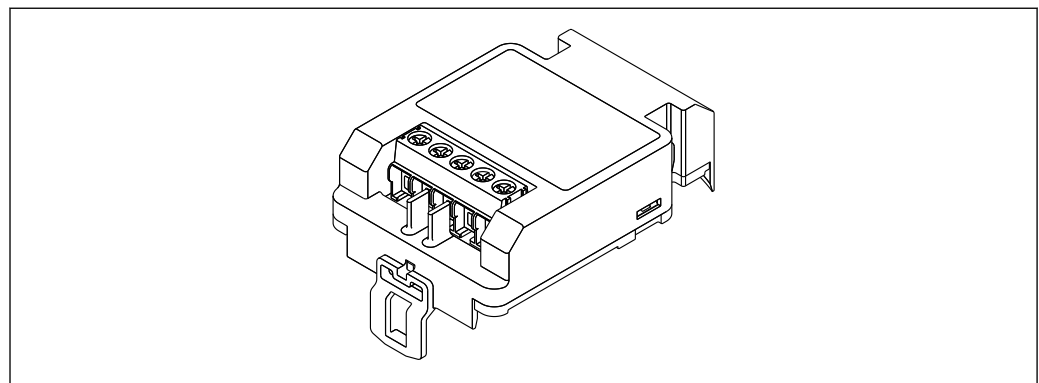
For details, see the "Special Documentation" SD01007F

**Overvoltage protection**

The surge arrester for loop-powered devices can be ordered together with the device via the "Accessory mounted" section of the product order structure.

The surge arrester can be used for loop-powered devices.

- 1-channel devices - OVP10
- 2-channel devices - OVP20



A0021734

4) This range applies if the option JN "Transmitter ambient temperature" -50 °C (-58 °F) was selected in feature 580 "Test, Certificate". If the temperature is permanently below -40 °C (-40 °F), higher failure rates can be expected.



**Technical data**

- Resistance per channel:  $2 \times 0.5 \Omega_{\max}$
- Threshold DC voltage: 400 to 700 V
- Threshold surge voltage: < 800 V
- Capacitance at 1 MHz: < 1.5 pF
- Nominal leakage current (8/20  $\mu$ s): 10 kA
- Suitable for conductor cross-sections: 0.2 to 2.5 mm<sup>2</sup> (24 to 14 AWG)

**If retrofitting:**

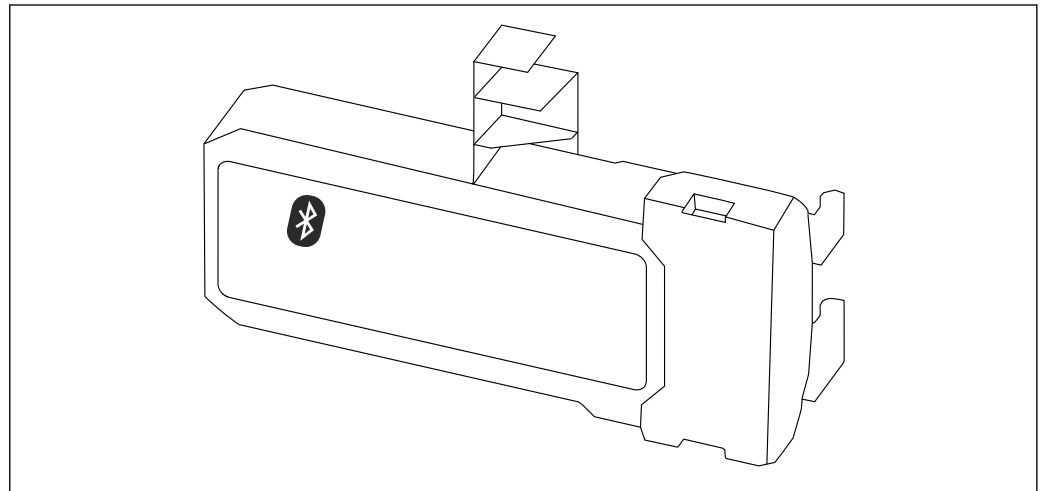
- Order number for 1-channel devices (OVP10): 71128617
- Order number for 2-channel devices (OVP20): 71128619
- The use of the OVP module may be restricted depending on the transmitter approval. A device may only be retrofitted with the OVP module if the option *NA* (overvoltage protection) is listed under *Optional specifications* in the Safety Instructions (XA) associated with the device.
- In order to keep the necessary safety distances when using the surge arrester module, the housing cover also needs to be replaced when the device is retrofitted.  
Depending on the housing type, the suitable cover can be ordered using the following order number:
  - Housing GT18: 71185516
  - Housing GT19: 71185518
  - Housing GT20: 71185517



For details, see the "Special Documentation" SD01090F

**Bluetooth module BT10 for HART devices**

The Bluetooth module BT10 can be ordered together with the device via the "Accessory mounted" section of the product order structure.



A0036493

**Technical data**

- Quick and easy setup with the SmartBlue app
- No additional tools or adapters needed
- Signal curve via SmartBlue (app)
- Encrypted single point-to-point data transmission (tested by Fraunhofer Institute) and password-protected communication via Bluetooth® wireless technology
- Range under reference conditions:
  - > 10 m (33 ft)
- When the Bluetooth module is used, the minimum supply voltage of the device increases by up to 3 V.

**If retrofitting:**

- Order number: 71377355
- The use of the Bluetooth module may be restricted depending on the transmitter approval. A device may only be retrofitted with the Bluetooth module if the option *NF* (Bluetooth module) is listed under *Optional specifications* in the Safety Instructions (XA) associated with the device.



For details, see the "Special Documentation" SD02252F

## Communication-specific accessories

### Commubox FXA195 HART

For intrinsically safe HART communication with FieldCare via the USB interface



For details, see "Technical Information" TI00404F

### Commubox FXA291

Connects Endress+Hauser field devices with a CDI interface (= Endress+Hauser Common Data Interface) and the USB port of a computer or laptop

Order number: 51516983



For details, see "Technical Information" TI00405C

### HART Loop Converter HMX50

Is used to evaluate and convert dynamic HART process variables to analog current signals or limit values

Order number: 71063562



For details, see "Technical Information" TI00429F and Operating Instructions BA00371F

### WirelessHART adapter SWA70

- Is used for the wireless connection of field devices
- The WirelessHART adapter can be easily integrated into field devices and existing infrastructures, offers data protection and transmission safety and can be operated in parallel with other wireless networks



For details, see Operating Instructions BA00061S

### Fieldgate FXA42

Fieldgates enable communication between connected 4 to 20 mA, Modbus RS485 and Modbus TCP devices and SupplyCare Hosting or SupplyCare Enterprise. The signals are transmitted either via Ethernet TCP/IP, WLAN or mobile communications (UMTS). Advanced automation capabilities are available, such as an integrated Web-PLC, OpenVPN and other functions.



For details, see "Technical Information" TI01297S and Operating Instructions BA01778S.

### SupplyCare Enterprise SCE30B

Inventory management software that displays the level, volume, mass, temperature, pressure, density or other parameters of tanks. The parameters are recorded and transmitted by means of gateways like Fieldgate FXA42, Connect Sensor FXA30B or other gateway types.

This Web-based software is installed on a local server and can also be visualized and operated with mobile terminals such as a smartphone or tablet.



For details, see Technical Information TI01228S and Operating Instructions BA00055S

### SupplyCare Hosting SCH30

Inventory management software that displays the level, volume, mass, temperature, pressure, density or other parameters of tanks. The parameters are recorded and transmitted by means of gateways like Fieldgate FXA42, Connect Sensor FXA30B or other gateway types.

SupplyCare Hosting is offered as a hosting service (Software as a Service, SaaS). In the Endress +Hauser portal, the user is provided with the data over the Internet.



For details, see Technical Information TI01229S and Operating Instructions BA00050S

### Field Xpert SFX350

Field Xpert SFX350 is a mobile computer for commissioning and maintenance. It enables efficient device configuration and diagnostics for HART and FOUNDATION Fieldbus devices in the **non-Ex** area.



For details, see Operating Instructions BA01202S

### Field Xpert SFX370

Field Xpert SFX370 is a mobile computer for commissioning and maintenance. It enables efficient device configuration and diagnostics for HART and FOUNDATION Fieldbus devices in the **non-Ex** area and the **Ex** area.



For details, see Operating Instructions BA01202S

**Service-specific accessories**

**DeviceCare SFE100**

Configuration tool for HART, PROFIBUS and FOUNDATION Fieldbus field devices

 Technical Information TI01134S

**FieldCare SFE500**

FDT-based plant asset management tool

It can configure all smart field units in your system and helps you manage them. By using the status information, it is also a simple but effective way of checking their status and condition.

 Technical Information TI00028S

**System components**

**Memograph M graphic data manager**

The Memograph M graphic data manager provides information on all the relevant process variables. Measured values are recorded correctly, limit values are monitored and measuring points analyzed. The data are stored in the 256 MB internal memory and also on a SD card or USB stick.

 Technical Information TI00133R and Operating Instructions BA00247R


**RN221N**

Active barrier with power supply for safe separation of 4 to 20 mA standard signal circuits. Offers bidirectional HART transmission.

 Technical Information TI00073R and Operating Instructions BA00202R


**RN221**

Supply unit for powering two 2-wire measuring devices solely in the non-Ex area. Bidirectional communication is possible via the HART communication jacks.

 Technical Information TI00081R and Brief Operating Instructions KA00110R

**Supplementary documentation**

The following document types are available in the Downloads section of the Endress+Hauser website ([www.endress.com/downloads](http://www.endress.com/downloads)):

-  For an overview of the scope of the associated Technical Documentation, refer to the following:
  - *W@M Device Viewer* ([www.endress.com/deviceviewer](http://www.endress.com/deviceviewer)): Enter the serial number from the nameplate
  - *Endress+Hauser Operations App*: Enter the serial number from the nameplate or scan the matrix code on the nameplate

**Brief Operating Instructions (KA)**

**Guide that takes you quickly to the 1st measured value**

The Brief Operating Instructions contain all the essential information from incoming acceptance to initial commissioning.

**Operating Instructions (BA)**

**Your reference guide**

These Operating Instructions contain all the information that is required in various phases of the life cycle of the device: from product identification, incoming acceptance and storage, to mounting, connection, operation and commissioning through to troubleshooting, maintenance and disposal.

**Safety Instructions (XA)**

Depending on the approval, the following Safety Instructions (XA) are supplied with the device. They are an integral part of the Operating Instructions.

 The nameplate indicates the Safety Instructions (XA) that are relevant to the device.

**Functional Safety Manual (FY/SD)**

Depending on the SIL approval, the Functional Safety Manual (FY/SD) is an integral part of the Operating Instructions and applies in addition to the Operating Instructions, Technical Information and ATEX Safety Instructions.

 The different requirements that apply for the protective function are described in the Functional Safety Manual (FY / SD).



71603695

[www.addresses.endress.com](http://www.addresses.endress.com)

---