



NO: TC-064 **PRODUCT:** E5_N Temperature Controllers
DATE: February 2014 **TYPE:** Discontinuation Notice

Temperature Controllers E5AN/E5EN/E5CN will be Discontinued March 31, 2015; Replace with E5_C Series

Last Order Date: March 31, 2015

The E5_N series of Temperature Controllers will be replaced by the E5_C series of Temperature Controllers.



Cautions when Using the E5_C Series

- The E5_C temperature controller cannot be removed from the case; all options are built in according to the part number ordered.
- Terminal Screw Size changed from M3.5 size (E5_N) to M3 size (E5_C).
- The number of terminals per line has changed from 5 terminals (E5CN) to 6 (E5CC) Terminals and from 10 (E5EN/E5AN) to 12 (E5EC/E5AC).
- E5_C Series does not have the PV (Present Value) three color change function. A unique feature of the E5_C series is that the PV can be made to flash instead of the color change.
- USB-Serial conversion cable for programming has changed from E58-CIFQ1 to E58-CIFQ2

Discontinued Product/Suggested Replacement

The E5_N units are base units without option boards.

E5CN to E5CC

Please see the Parameter Comparison: E5CN to E5CC (Migration Guide) file for a complete list of suggested replacements.

Product Discontinuation	Product Replacement
E5CN Series	E5CC Series
E5CN-C2ML-500 AC100-240	E5CC-CX3A5M-000
E5CN-C2MLD-500 AC/DC24	E5CC-CX3D5M-000
E5CN-C2MT-500 AC100-240	E5CC-CX3A5M-000
E5CN-C2MTD-500 AC/DC24	E5CC-CX3D5M-000
E5CN-C2MTD-W-500 AC/DC24	E5CC-CX3D5M-000
E5CN-C2MT-W-500 AC100-240	E5CC-CX3A5M-000
E5CN-CML-500 AC100-240	E5CC-CX3A5M-000
E5CN-CMT-500 AC100-240	E5CC-CX3A5M-000
E5CN-CMTD-500 AC/DC24	E5CC-CX3D5M-000
E5CN-CMT-W-500 AC100-240	E5CC-CX3A5M-000
E5CN-Q2ML-500 AC100-240	E5CC-QX3A5M-000
E5CN-Q2MLD-500 AC/DC24	E5CC-QX3D5M-000
E5CN-Q2MT-500 AC100-240	E5CC-QX3A5M-000
E5CN-Q2MTD-500 AC/DC24	E5CC-QX3D5M-000

Product Discontinuation	Product Replacement
E5CN-Q2MTD-W-500 AC/DC24	E5CC-QX3D5M-000
E5CN-Q2MT-W-500 AC100-240	E5CC-QX3A5M-000
E5CN-QML-500 AC100-240	E5CC-QX3A5M-000
E5CN-QMT-500 AC100-240	E5CC-QX3A5M-000
E5CN-QMTD-500 AC/DC24	E5CC-QX3D5M-000
E5CN-QMT-W-500 AC100-240	E5CC-QX3A5M-000
E5CN-R2ML-500 AC100-240	E5CC-RX3A5M-000
E5CN-R2MLD-500 AC/DC24	E5CC-RX3D5M-000
E5CN-R2MT-500 AC100-240	E5CC-RX3A5M-000
E5CN-R2MTD-500 AC/DC24	E5CC-RX3D5M-000
E5CN-R2MTD-W-500 AC/DC24	E5CC-RX3D5M-000
E5CN-R2MT-W-500 AC100-240	E5CC-RX3A5M-000
E5CN-RML-500 AC100-240	E5CC-RX3A5M-000
E5CN-RMT-500 AC100-240	E5CC-RX3A5M-000
E5CN-RMTD-500 AC/DC24	E5CC-RX3D5M-000
E5CN-RMT-W-500 AC100-240	E5CC-RX3A5M-000

E5EN to E5EC

Please see parameter comparison: E5EN to E5EC (Migration Guide) for a complete list of suggested replacements.

Product Discontinuation	Product Replacement
E5EN Series	E5EC Series
E5EN-C3ML-500-N AC100-240	E5EC-CX4A5M-000
E5EN-C3MT-500-N AC100-240	E5EC-CX4A5M-000
E5EN-C3MTD-500-N AC/DC24	E5EC-CX4D5M-000
E5EN-C3MTD-W-500-N AC/DC24	E5EC-CX4D5M-000
E5EN-C3MT-W-500-N AC100-240	E5EC-CX4A5M-000
E5EN-C3QMT-500-N AC100-240	E5EC-QX4A5M-000
E5EN-Q3HHMT-500-N AC100-240	E5EC-QX4A5M-009
E5EN-Q3HHMTD-500-N AC/DC24	E5EC-QX4D5M-009
E5EN-Q3HML-500-N AC100-240	E5EC-QX4A5M-010
E5EN-Q3HMT-500-N AC100-240	E5EC-QX4A5M-010
E5EN-Q3HMTD-500-N AC/DC24	E5EC-QX4D5M-010
E5EN-Q3HMT-W-500-N AC100-240	E5EC-QX4A5M-010
E5EN-Q3ML-500-N AC100-240	E5EC-QX4A5M-000
E5EN-Q3MT-500-N AC100-240	E5EC-QX4A5M-000
E5EN-Q3MTD-500-N AC/DC24	E5EC-QX4D5M-000
E5EN-Q3MTD-W-500-N AC/DC24	E5EC-QX4D5M-000
E5EN-Q3MT-W-500-N AC100-240	E5EC-QX4A5M-000
E5EN-Q3QMT-500-N AC100-240	E5EC-QQ4A5M-000
E5EN-R3HHMT-500-N AC100-240	E5EC-RX4A5M-009
E5EN-R3HHMTD-500-N AC/DC24	E5EC-RX4D5M-009
E5EN-R3HML-500-N AC100-240	E5EC-RX4A5M-010

Product Discontinuation	Product Replacement
E5EN-R3HMT-500-N AC100-240	E5EC-RX4A5M-010
E5EN-R3HMTD-500-N AC/DC24	E5EC-RX4D5M-010
E5EN-R3HMT-W-500-N AC100-240	E5EC-RX4A5M-010
E5EN-R3ML-500-N AC100-240	E5EC-RX4A5M-000
E5EN-R3MT-500-N AC100-240	E5EC-RX4A5M-000
E5EN-R3MTD-500-N AC/DC24	E5EC-RX4D5M-000
E5EN-R3MTD-W-500-N AC/DC24	E5EC-RX4D5M-000
E5EN-R3MT-W-500-N AC100-240	E5EC-RX4A5M-000
E5EN-R3QMT-500-N AC100-240	E5EC-QR4A5M-000



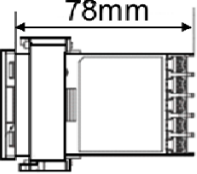
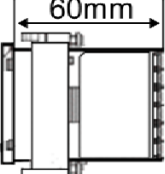

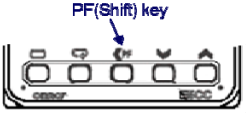
E5AN to E5AC

Please see parameter comparison: E5AN to E5AC (Migration Guide) for a complete list of suggested replacements.

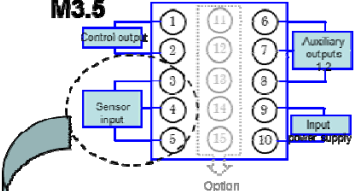
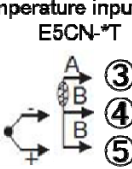
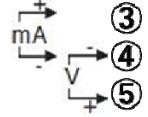
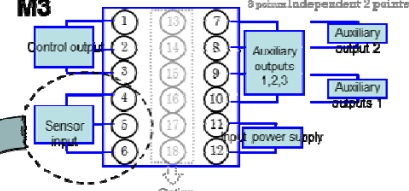
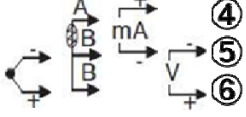
Product Discontinuation	Product Replacement
E5AN Series	E5AC Series
E5AN-C3ML-500-N AC100-240	E5AC-CX4A5M-000
E5AN-C3MT-500-N AC100-240	E5AC-CX4A5M-000
E5AN-C3MTD-500-N AC/DC24	E5AC-CX4D5M-000
E5AN-C3MTD-W-500-N AC/DC24	E5AC-CX4D5M-000
E5AN-C3MT-W-500-N AC100-240	E5AC-CX4A5M-000
E5AN-C3QMT-500-N AC100-240	E5AC-CQ4A5M-000
E5AN-Q3HHMT-500-N AC100-240	E5AC-QX4A5M-009
E5AN-Q3HHMTD-500-N AC/DC24	E5AC-QX4D5M-009
E5AN-Q3HML-500-N AC100-240	E5AC-QX4A5M-010
E5AN-Q3HMT-500-N AC100-240	E5AC-QX4A5M-010
E5AN-Q3HMTD-500-N AC/DC24	E5AC-QX4D5M-010
E5AN-Q3HMT-W-500-N AC100-240	E5AC-QX4A5M-010
E5AN-Q3ML-500-N AC100-240	E5AC-QX4A5M-000
E5AN-Q3MT-500-N AC100-240	E5AC-QX4A5M-000
E5AN-Q3MTD-500-N AC/DC24	E5AC-QX4D5M-000
E5AN-Q3MTD-W-500-N AC/DC24	E5AC-QX4D5M-000
E5AN-Q3MT-W-500-N AC100-240	E5AC-QX4A5M-000
E5AN-Q3QMT-500-N AC100-240	E5AC-QQ4A5M-000
E5AN-R3HHMT-500-N AC100-240	E5AC-RX4A5M-009
E5AN-R3HHMTD-500-N AC/DC24	E5AC-RX4D5M-009
E5AN-R3HML-500-N AC100-240	E5AC-RX4A5M-010
E5AN-R3HMT-500-N AC100-240	E5AC-RX4A5M-010
E5AN-R3HMTD-500-N AC/DC24	E5AC-RX4D5M-010
E5AN-R3HMT-W-500-N AC100-240	E5AC-RX4A5M-010
E5AN-R3ML-500-N AC100-240	E5AC-RX4A5M-000
E5AN-R3MT-500-N AC100-240	E5AC-RX4A5M-000
E5AN-R3MTD-500-N AC/DC24	E5AC-RX4D5M-000
E5AN-R3MTD-W-500-N AC/DC24	E5AC-RX4D5M-000
E5AN-R3MT-W-500-N AC100-240	E5AC-RX4A5M-000
E5AN-R3QMT-500-N AC100-240	E5AC-QR4A5M-000

Detailed Comparison





External Changes – 1/16 DIN Size

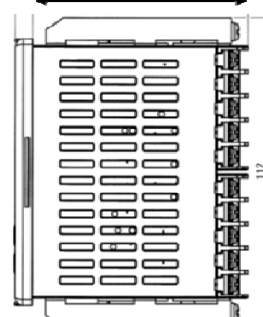
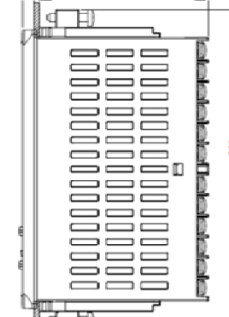
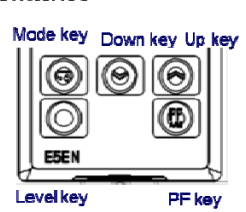
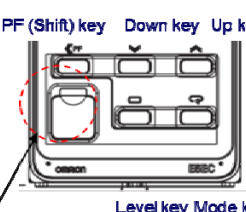
	E5CN	E5CC	Changes/Notices when replacing
Display	Red LED 	White LED 	Changed the display color and enlarged the character size. e.g.,) Character heights (PV) 11.0mm to 15.2mm
Depth			
Operation key	4KEY Emboss (sheet) switches  Level key Mode key Down key Up key	5KEY Push button (resin) switches  Level key Mode key Down key Up key	<ul style="list-style-type: none"> Layout change, add functions Digit shift key function is assigned to PF (shift) key as default. Conventional shift key function could change one digit only when setting SP. With this function, a user can set SP by digit, which enhances the efficiency.

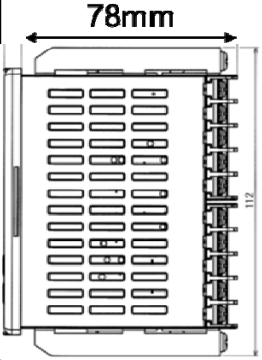
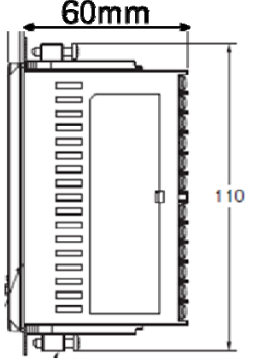
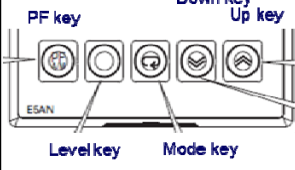
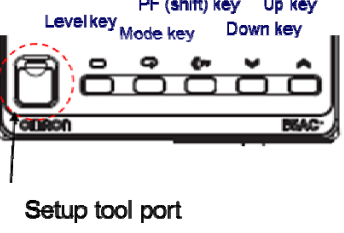
Terminal Numbers

	E5CN	E5CC	Changes/Notices when replacing
Terminal numbers/ Function arrangement	<p>M3.5</p>  <p>Option</p> <p>Sensor input signals differ depending on models.</p> <p>Temperature input type E5CN-*T</p>  <p>Analog input type E5CN-*L</p> 	<p>M3</p>  <p>Option</p> <p>Sensor input (Fully universal inputs) One unit can support all the inputs</p> 	<p>Because the number of the terminals increased, the terminal arrangements have been changed. Please be aware of it when connecting.</p>

External Changes – 1/8 DIN and ¼ DIN Sizes

	E5EN/E5AN	E5EC/E5AC	Changes/Notices when replacing
Display	<p>E5EN</p>  <p>E5AN</p> 	<p>E5EC</p>  <p>E5AC</p> 	<p>Changed the display color and enlarged the character size. e.g.,)</p> <p>Character heights (PV)</p> <p>E5EN E5EC 14.0mm to 18.0mm</p> <p>E5AN E5AC 15.0mm to 25.0mm</p>

	E5EN	E5EC	Changes/Notices when replacing
Depth	<p>78mm</p> 	<p>60mm</p> 	
Operation key	<p>5 KEY Emboss (sheet) switches</p>  <p>Mode key Down key Up key</p> <p>Level key PF key</p>	<p>5 KEY Push button (resin) Switches</p>  <p>PF (Shift) key Down key Up key</p> <p>Level key Mode key</p> <p>Setup tool port</p>	<ul style="list-style-type: none"> Layout change, add functions Digit shift key is assigned to PF (shift) key as default. Conventional shift key function could change one digit when setting SP. With this function, a user can set SP by digit, which enhances the efficiency. Add front Setup tool port Connecting the Setup tool port cable on the front is possible.

	E5AN	E5AC	Changes/Notices when replacing
Depth			
Operation key	<p>5 KEY Emboss (sheet) switches</p> 	<p>5 KEY Push button (resin) Switches</p> 	<ul style="list-style-type: none"> • Layout change, add functions Digit shift key is assigned to PF (shift) key as default. Conventional shift key function could change one digit when setting SP. With this function, a user can set SP by digit, which enhances the efficiency. • Add front Setup tool port Connecting the Setup tool port cable on the front is possible.

Reference Documentation

Migration Documents

Description	Media	Publication Number
Conversion PowerPoint: E5_N to E5_C Transition For Sales	PPT	PRES E5_N TO E5_C
Parameter Comparison: E5CN to E5CC (Migration Guide)	XLS	MIG E5CN TO E5CC
Parameter Comparison: E5EN to E5EC (Migration Guide)	XLS	MIG E5EN TO E5EC
Parameter Comparison: E5AN to E5AC (Migration Guide)	XLS	MIG E5AN TO E5AC

E5_N Series Documents

Description	Media	Publication Number
E5CN/E5EN/E5AN Data Sheet	PDF	H160-E1-01A
E5_N User Manual	PDF	H156-E1-04
E5_N Communication Manual	PDF	H102-E1-04

E5_C Series Documents

Description	Media	Publication Number
E5_C Data Sheet	PDF	H177-E1-03
E5_C User's Manual	PDF	H174-E1-05
E5_C Communication Manual	PDF	H175-E1-07
E5CC Getting Started Guide	PDF	H36I-E-01
E5_C Getting Started Guide	PDF	H182-E1-01
E5CC, E5EC Guía de soluciones para preguntas frecuentes	PDF	H182-ES2-01