

**Characteristics:**

**General Description:**

OPT1091 accessory consists of a Cold Junction Compensator resistance to be used with D1072S, D1072D, D1073S temperature converters. These isolators, when programmed for acquiring temperature inputs from Thermocouple Sensors, have a choice of selecting fixed or automatic compensation. Automatic compensation is accomplished by mounting OPT1091 option directly at hazardous side terminals of the isolator at pins 13-16 (Ch1) and 9-12 (Ch2). See data sheet of D1000 isolator for more details.

Provided without terminal block.

**Technical Data:**

**Characteristics:**

2-wires, 109 Ohm resistance at 23°C temperature.  
Temperature coefficient of 0,4255 Ohm/°C.

**Material:** Copper

**Performance:**

**Ref. Junction Compensation influence:**  $\leq \pm 1 \text{ }^\circ\text{C}$  (thermocouple sensor).

**Compatibility:**

Models: D1072S, D1072D, D1073S with TC input.

**Environmental conditions:**

**Operating:** temperature limits -20 to + 60 °C,  
relative humidity max 90 % non condensing, up to 35 °C.

**Storage:** temperature limits - 45 to + 80 °C.

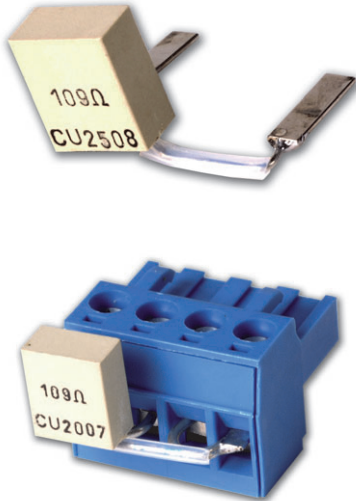
**Mounting:**

removable screw terminal block of associated module.

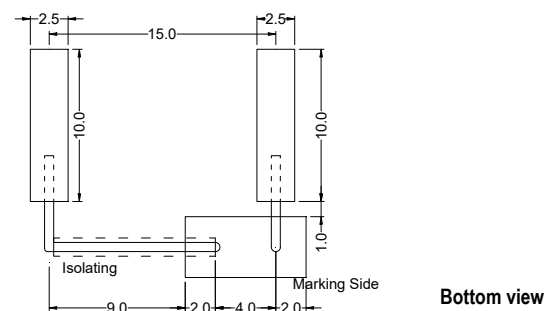
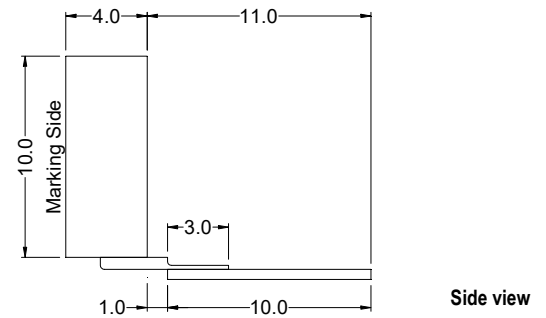
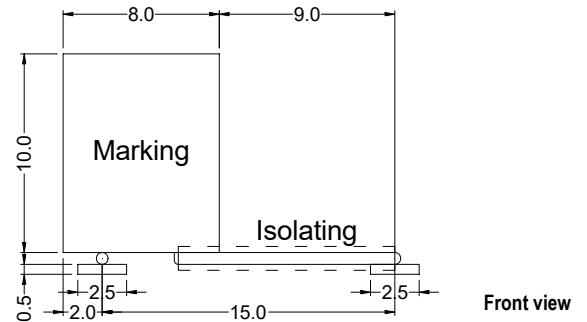
**Dimensions:** Width 17 mm, Depth 10 mm, Height 12 mm.

**Weight:** about 5 g.

**Image:**



**Drawing:**



**Ordering Information:**

Model: OPT1091

One unit required per channel. Does not include terminal block.