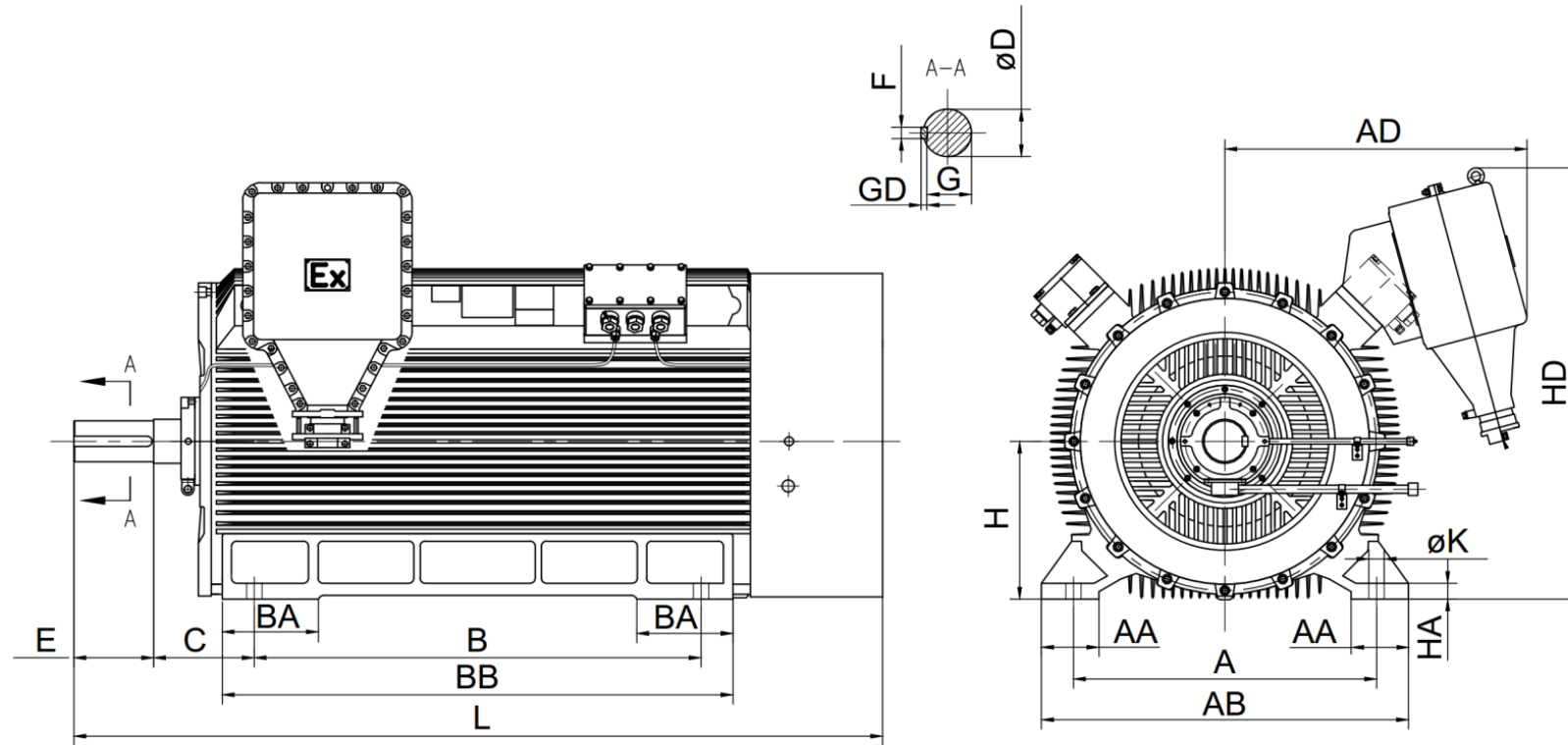


Dimension Drawing

Dimension drawing is subject to change. We reserve the right to change constructional details.

Type: DKCFX 35XX 2-pole



IM 1001 • anti-friction bearing

Width	A 630	AA 150	AB 840	AD 800	K 28	Lenght	B 1000	BA 250	BB 1200	C 254	L 1980
Height	H 355	HA 35	HD 1050			Shaft End	D 70	E 140	F 20	G 62,5	GD 12

Dimensions in mm

State: February 2021