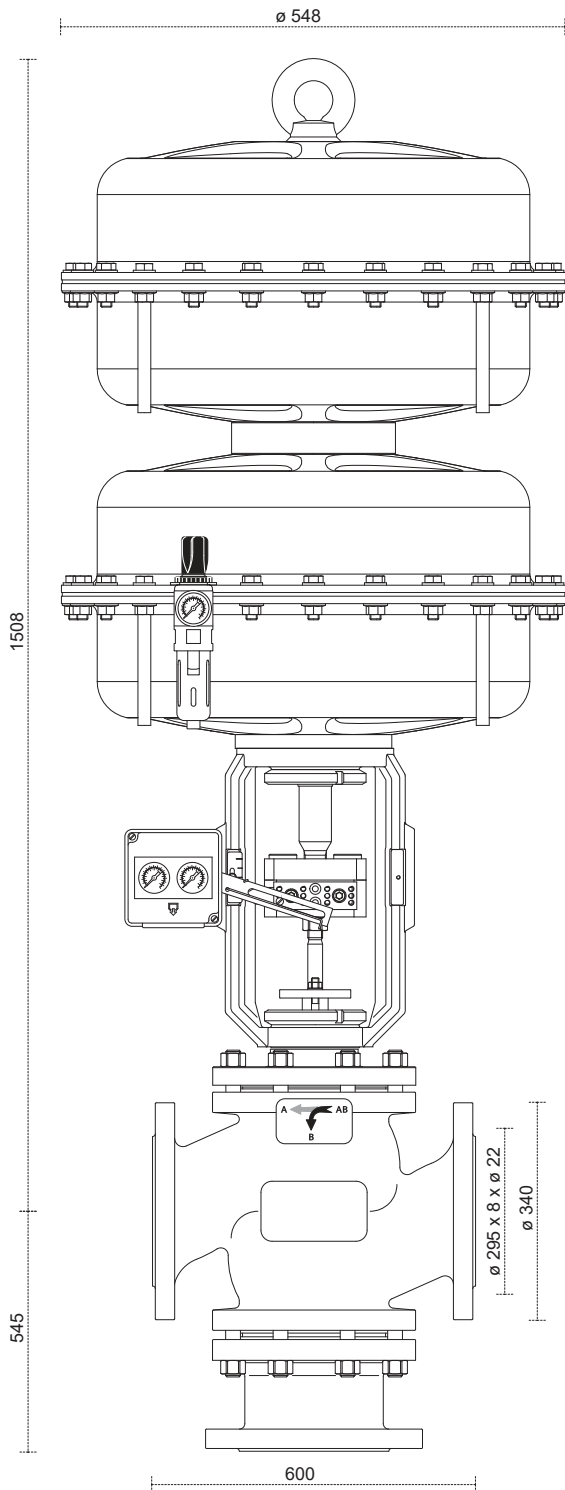


Project:  
Project Nr:  
TAG-Nr.:  
11-TV-56

QH21183-0, Pos. 8  
04/07/2021  
10155661

Type	DN	PN/CI	Body	Plug	Seat	kvs	Trim	Actuator	S
V726 WCVNA	200	10	1.0619/OBAB	VOTD2LG	150	450	316 SS	PB 3002BDYOZDS	



**VALVE**  
Type:  
V726 FLOWTOP-Single seat-control valve  
Body:  
Three way  
Connection type:  
Flange, surface form C acc. to DIN 2526  
Balance:  
Not balanced  
Bonnet  
Standard bonnet

Option  
Specifications:  
Replacement for 0002062/9/1

**ACTUATOR**  
Actuator:  
PB 3002  
Colour:  
B White  
Manual operation:  
without handwheel  
failsafe position:  
Z at air failure close angle way open

**ACCESSORY**  
Pn. Positioner:

Fab.: Foxboro Eckardt  
type: SRP 981-BIDMS1NA+EBZG-GN  
Pneumatic Positioner with 2 gauges  
Pneum. connections: G 1/8"

Filterregulator:

FRS Sitecna 04411S00ALLT2 with 1 gauge

Total weight app. 564.7 kg