



- Analogue voltage or current output
- 1 axis operation, 0-360 deg
- 2 axes operation, ± 10 / ± 30 / ± 60 deg
- Measurement accuracy ± 0.2 deg
- Zero setting input
- Robust metal housing with IP67 protection



IXA1 • IXA2

ENVIRONMENTAL SPECIFICATIONS

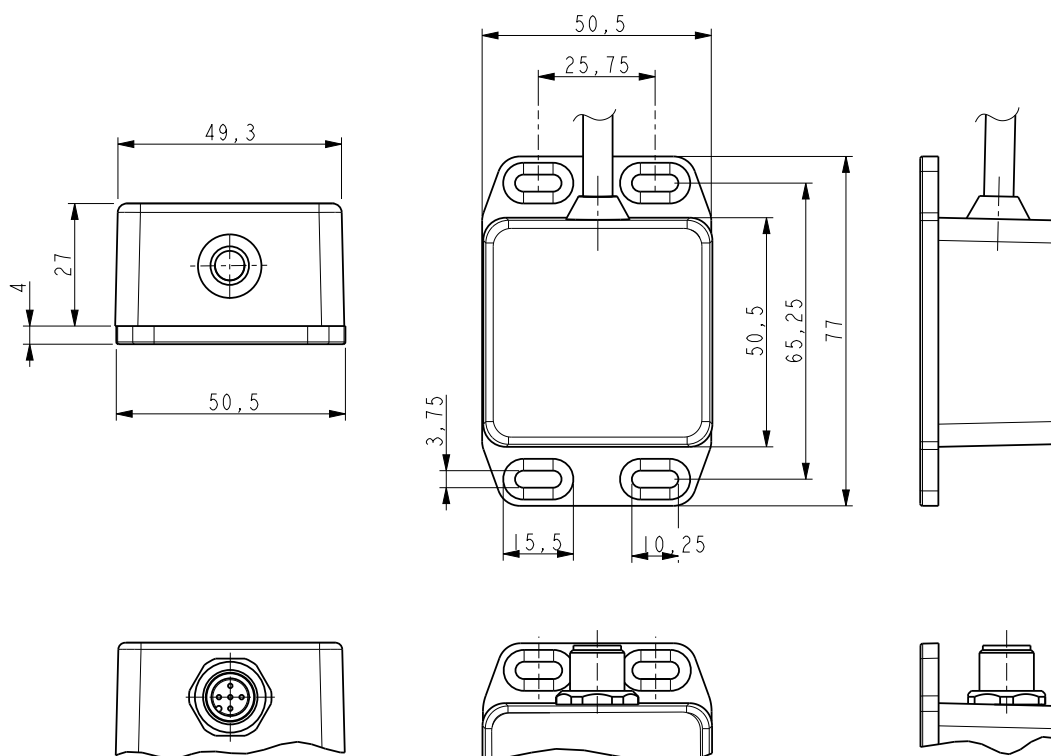
| | |
|------------------------------|--|
| Shock: | 300 g, 11 ms acc. to EN60068-2-27 |
| Vibrations: | 8,2-500 Hz, 40 m/s ² acc. to EN60068-2-6 10-500 Hz, 3 g acc. to EN60068-2-64 |
| Protection: | IP67 |
| Operating temperature range: | -40°C +85°C (-40°F +185°F) |
| Storage temperature range: | -40°C +85°C (-40°F +185°F) |

MECHANICAL SPECIFICATIONS

| | |
|-------------------------|----------------------------------|
| Dimensions: | see drawing |
| Housing material: | die cast aluminium alloy |
| Electrical connections: | cable 1 m |
| Options: | additional cable, M12 5 pin plug |

ELECTRICAL SPECIFICATIONS

| | |
|--------------------|---|
| Resolution: | 0,05% of measurement range |
| Accuracy: | typ. $\pm 0,2$ deg (max. $\pm 0,5$ deg) <i>only up to $\pm 30^\circ$ for 2 axes</i> |
| Temperature drift: | $\pm 0,008$ deg/°C |
| Measurement range: | IXA1: 0-360 deg IXA2: ± 10 deg, ± 30 deg, ± 60 deg |
| Output circuit: | 0,5 ÷ 4,5V, 4 ÷ 20mA |
| Power supply: | +7Vdc +30Vdc |
| Power consumption: | 30 mA max. |
| Protection: | against inversion of polarity |
| EMC: | acc. to EN 61000-6-2, EN 61000-6-3 |



IXA1 • IXA2

Order code - 1 axis version

| | | | | | | | | |
|------|---|----------|---|----------|---|---------|---|------------|
| IXA1 | - | XXX a | - | XXX b | - | XX c | - | /Sxxx d |
|------|---|----------|---|----------|---|---------|---|------------|

| | | | |
|---|---|---|-------------------------|
| <p>a OUTPUT</p> <p>AV1 = 0,5-4,5V</p> <p>AI1 = 4-20mA</p> | <p>b MEASURING RANGE</p> <p>360 = 360 deg</p> | <p>c CONNECTION</p> <p>L1 = cable 1 m (standard)</p> <p>Lx = cable x m (length on request)</p> <p>M = M12 5 pin connector</p> | <p>d CUSTOM VERSION</p> |
|---|---|---|-------------------------|

Order code - 2 axes version

| | | | | | | | | |
|------|---|----------|---|----------|---|---------|---|------------|
| IXA2 | - | XXX a | - | XXX b | - | XX c | - | /Sxxx d |
|------|---|----------|---|----------|---|---------|---|------------|

| | | | |
|---|--|---|-------------------------|
| <p>a OUTPUT</p> <p>AV1 = 0,5-4,5V</p> <p>AI1 = 4-20mA</p> | <p>b MEASURING RANGE</p> <p>10 = ±10 deg</p> <p>30 = ±30 deg</p> <p>60 = ±60 deg</p> | <p>c CONNECTION</p> <p>L1 = cable 1 m (standard)</p> <p>Lx = cable x m (length on request)</p> <p>M = M12 5 pin connector</p> | <p>d CUSTOM VERSION</p> |
|---|--|---|-------------------------|