



- Position display for encoders
- Encoder or potentiometer input
- Low-cost version



MC111

## FUNCTIONS

Offset, preset, scaling factor, edge evaluation, decimal point, keyboard function, reset and set logic, absolute/relative mode, counting direction, actual position memory, logic of inputs/outputs, security code, reference pulse

## ENVIRONMENTAL SPECIFICATIONS

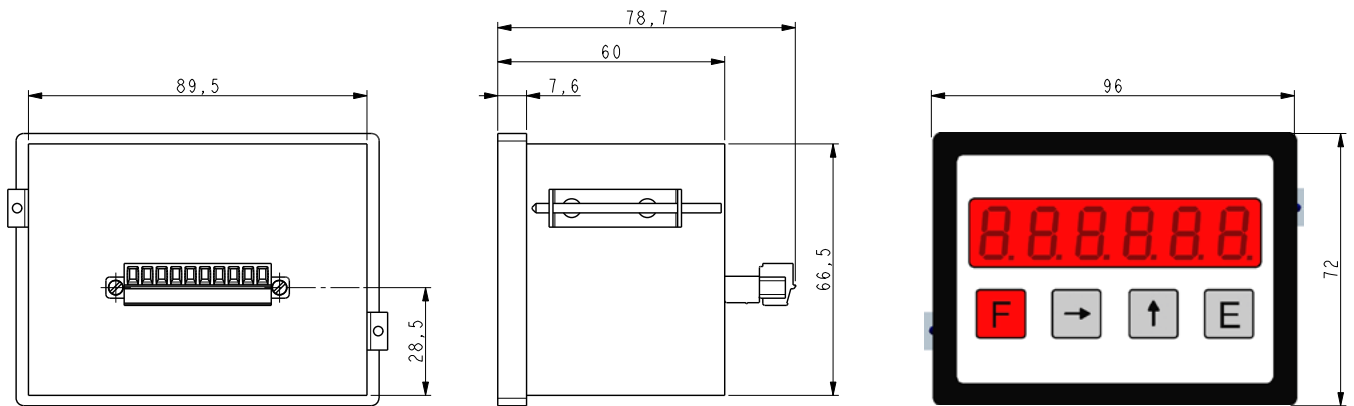
|                              |                            |
|------------------------------|----------------------------|
| Operating temperature range: | 0°C +50°C (+32°F, +122°F)  |
| Storage temperature range:   | -20°C +80°C (-4°F, +176°F) |
| Protection:                  | IP42 front, IP20 back      |

## MECHANICAL SPECIFICATIONS

|             |                                    |
|-------------|------------------------------------|
| Dimensions: | 96 x 72 x 60 mm <sup>3</sup>       |
| Cut out:    | 94 x 66 mm <sup>2</sup>            |
| Display:    | 6 digit x 14 mm (-999999 ÷ 999999) |

## ELECTRICAL SPECIFICATIONS

|                                 |   |
|---------------------------------|---|
| Power supply:                   | 24 Vdc +10%   |
| Consumption:                    | 80mA (excl. encoders)   |
| Counting frequency:             | 30 kHz  |
| Encoder input:                  | AB0, AB0 /AB0 (HTL or TTL selectable)<br>Function input for reset, preset, relative/absolute mode |
| Sensor input:                   | 1 x AB (HTL)<br>2 x analogue 12 bit (min. 500 Ω)  |
| Power supply for encoder:       | 24 Vdc  |
| Power supply for potentiometer: | 5 Vdc   |
| Digital inputs/outputs:         | 2 selectable for preset, reset, software limit switch   |



MC111

Order code

|       |   |         |   |          |   |         |   |         |
|-------|---|---------|---|----------|---|---------|---|---------|
| MC111 | - | XX<br>Ⓐ | - | XXX<br>Ⓑ | - | XX<br>Ⓒ | - | XX<br>Ⓓ |
|-------|---|---------|---|----------|---|---------|---|---------|

Ⓐ POWER SUPPLY  
P8 = 24Vdc ± 10%

Ⓑ INPUT  
M1 = AB (HTL)  
A10 = 2 x analogue

Ⓒ OUTPUT  
- = no output  
01 = 2 outputs 24V-600mA, PNP  
(Function inputs not available)