



- Programmable position display for encoders
- Counting frequency up to 1 MHz
- Large range power supplies



MC150

FUNCTIONS

Set value, Power down memory, Scaling factor, Edge evaluation, Counting direction, Decimal point, Key functions, Reset and Set logic, Absolute/relative mode, Offset logic, Offset value, In- and Output logic, Security code, Reference pulse

ENVIRONMENTAL SPECIFICATIONS

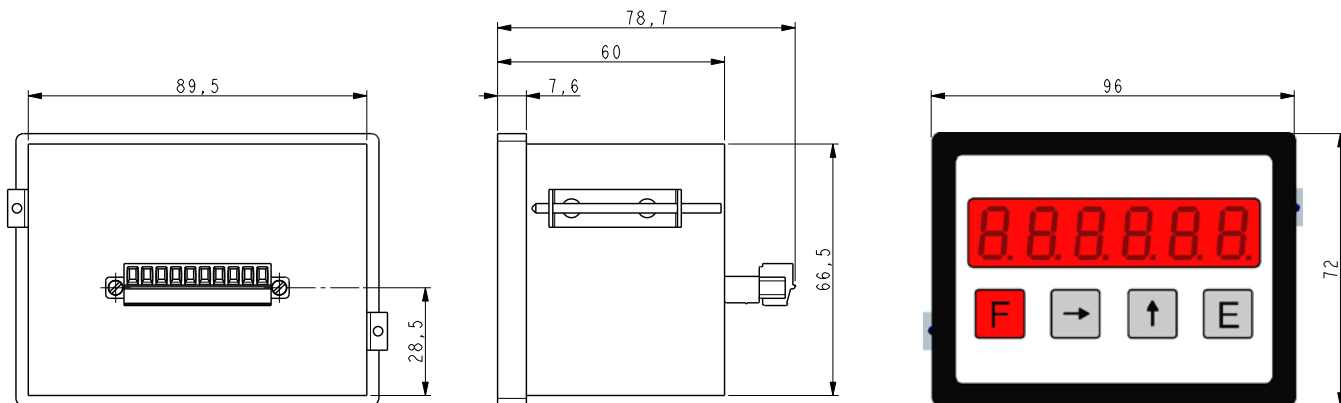
Operating temperature range:	0°C +50°C (+32°F, +122°F)
Storage temperature range:	-20°C +65°C (-4°F, +149°F)
Protection:	IP42 front, IP20 back

MECHANICAL SPECIFICATIONS

Dimensions:	96 x 72 x 77 mm ³
Cut out:	94 x 66 mm ²
Display:	6 digit x 14 mm (-999999 ÷ 999999)

ELECTRICAL SPECIFICATIONS

Power supply:	24 Vdc/Vac, 115 Vac, 230 Vac
Consumption:	150 mA (excl. encoders)
Counting frequency:	1 MHz
Encoder input:	AB0, AB0 /AB0 (HTL or TTL selectable) Function input for reset, preset, relative/absolute mode
Power supply for encoder:	5 Vdc/24 Vdc (12 Vdc with P5)
Outputs:	2 digital outputs 24V, 600 mA, PNP (optional, only with power supply P1) 2 relays (optional, only with power supply P1)
Interface:	RS232 (optional)



MC150

Order code

MC150	-	XX ⓐ	-	XXX ⓑ	-	XX ⓒ	-	XX ⓓ
-------	---	---------	---	----------	---	---------	---	---------

ⓐ POWER SUPPLY

P1 = 24Vdc ± 10%
 P5 = 230 Vac ± 10%
 P6 = 115 Vac ± 10%

ⓑ INPUT

M12 = ABO, ABO /ABO

ⓒ INTERFACE

- = no interface
 I1 = RS232

ⓓ OUTPUT

- = no output
 O1 = 2 digital outputs (only with P1)
 O2 = 2 relays (only with P1)