



- Flexible magnetic scale with adhesive tape
- Absolute coding
- Cover strip available on request
- Resistant to debris, liquids and oils
- MTA1, MTA2, MTA5, MTAX, MTAZ series



MTAx

### ENVIRONMENTAL SPECIFICATIONS

Protection:	IP67
Operating temperature range:	-40°C +120°C (-40°F +248°F)
Storage temperature range:	-40°C +120°C (-40°F +248°F)

### MECHANICAL SPECIFICATIONS

Dimensions:	see drawing
Material:	plastroferrite and stainless steel
Accuracy class:	see order code
Thermal expansion coefficient:	16 * 10 <sup>-6</sup> /K
Length:	see order code

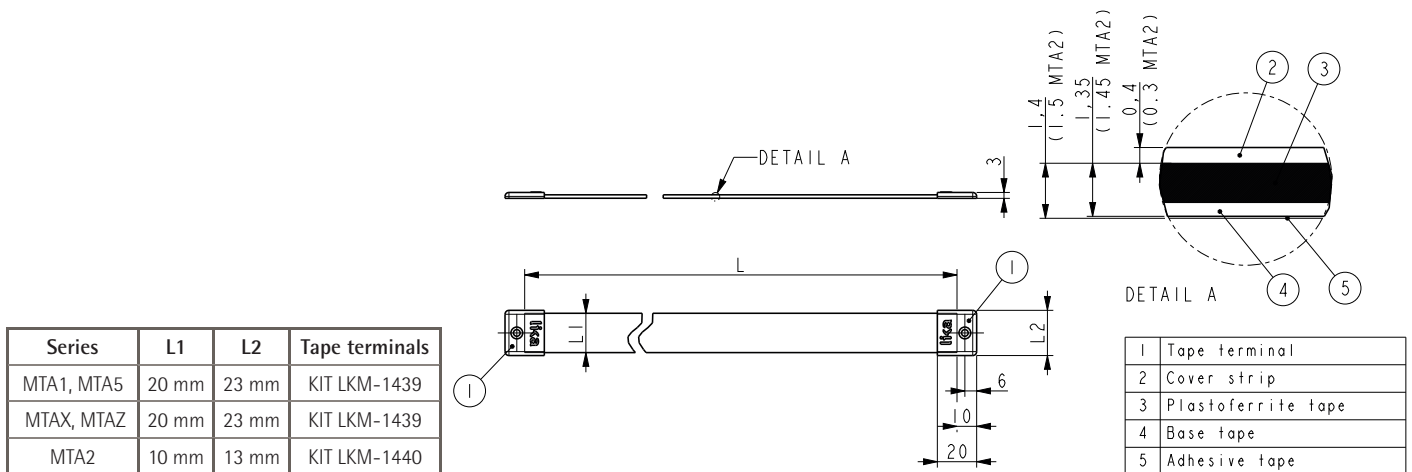
### CHEMICAL RESISTANCE INFORMATION

Acetone	••	Mineral / Motor oil	•
Acetylene	••	Petrol	••
Antifreeze (Glacial acetic acid)	•	Seawater	••
Benzene	•••	Steam heat	•
Heptane	•••	Thinner	•••
Kerosene	•	Turpentine	••
Ketone	•••		

• No effect or low effect      •• Low to Medium effect      ••• Strong effect

### ACCESSORIES

KIT LKM-1440:	set of tape terminals (10 pcs)
KIT LKM-1439:	set of tape terminals (10 pcs)



MTAx

Order code

MTA1 MTA5	-	XX a	-	XX b	-	X c	-	/Sxxx d
--------------	---	---------	---	---------	---	--------	---	------------

<p>a LENGTH</p> <p>0,1 = 0,1 m</p> <p>0,2 = 0,2 m</p> <p>... = ...</p> <p>0,5 = 0,5 m</p> <p>1,0 = 1,0 m</p>	<p>b ACCURACY CLASS</p> <p>50 = ±35 µm/m (up to 30 m)</p>	<p>c COVER STRIP</p> <p>0 = not supplied</p> <p>1 = supplied (only MTA5)</p>	<p>d CUSTOM VERSION</p>
--	---	--	-------------------------

Order code

MTA2	-	XX a	-	XX b	-	X c	-	/Sxxx d
------	---	---------	---	---------	---	--------	---	------------

<p>a TAPE LENGTH</p> <p>1 = 1 m</p> <p>2 = 2 m</p> <p>3 = 3 m</p> <p>4 = 4 m</p>	<p>b ACCURACY CLASS</p> <p>40 = ±40 µm/m</p>	<p>c COVER STRIP</p> <p>0 = not supplied</p> <p>1 = supplied</p>	<p>d CUSTOM VERSION</p>
--	--	--	-------------------------

Order code

MTAX - XXX MTAZ - XXXX a	-	XX b	-	X c
--------------------------------	---	---------	---	--------

<p>a TAPE LENGTH (measuring length)</p> <p>MTAX-280 = 280 mm (ML = 200)</p> <p>MTAX-380 = 380 mm (ML = 300)</p> <p>MTAX-680 = 680 mm (ML = 600)</p> <p>MTAZ-1330 = 1330 mm (ML = 1250)</p>	<p>b ACCURACY CLASS</p> <p>50 = ± 35µm/m</p>	<p>c COVER STRIP</p> <p>0 = not supplied</p> <p>1 = supplied</p>	<p>Product combination: SMAX + MTAX, SMAZ + MTAZ</p>
--	--	--	--