



- Positioning unit with absolute encoder
- Fieldbus and RS232 service interface
- Diagnostics LED and function buttons



RD1

ENVIRONMENTAL SPECIFICATIONS

Operating temperature range:	0°C +60°C (32°F +140°F)
Storage temperature range:	-20°C +80°C (-4°F +176°F) (98% R.H. without condensation)
Protection:	IP54

MECHANICAL SPECIFICATIONS

Dimensions:	see drawing
Shaft hollow:	Ø 14 mm
Shaft loading (axial and radial):	100 N, 200 N
Positioning accuracy:	± 3,5°
Electrical connections:	2 x 0,2 m (1 ft) cable with DSub connector 2 x cable, 1 m max. 2 x M12 connector
Duty cycle:	20% ED
Torque and shaft rotational speed:	5 Nm @ 60 rpm (T48) / 3,5 Nm with continuous duty 2,5 Nm @ 120 rpm (T24) / 1,6 Nm with continuous duty 1,2 Nm @ 240 rpm (T12) / 0,8 Nm with continuous duty
Starting torque:	T48: 8 Nm T24: 4 Nm T12: 2 Nm
Weight:	~ 1,8 kg (63,5 oz)

ELECTRICAL SPECIFICATIONS

Resolution:	1024 inf./rev. x 1024 rev.
Power supply:	+24Vdc ± 10%
Power (motor):	24 W
Service interface:	RS232 (except RS485 and M12 connector version)
Bus Interface:	Profibus-DP, CANopen, RS485
Inputs:	limit switch + and -
Output:	external brake activation

MATERIALS

Flange:	non corroding, UNI EN AW-6082
Housing:	sheet metal, UNI EN 4016
Bearings:	ABEC 5
Shaft:	stainless steel non-magnetic, UNI EN 4305
Motor:	direct current motor 24V - 3000 rpm

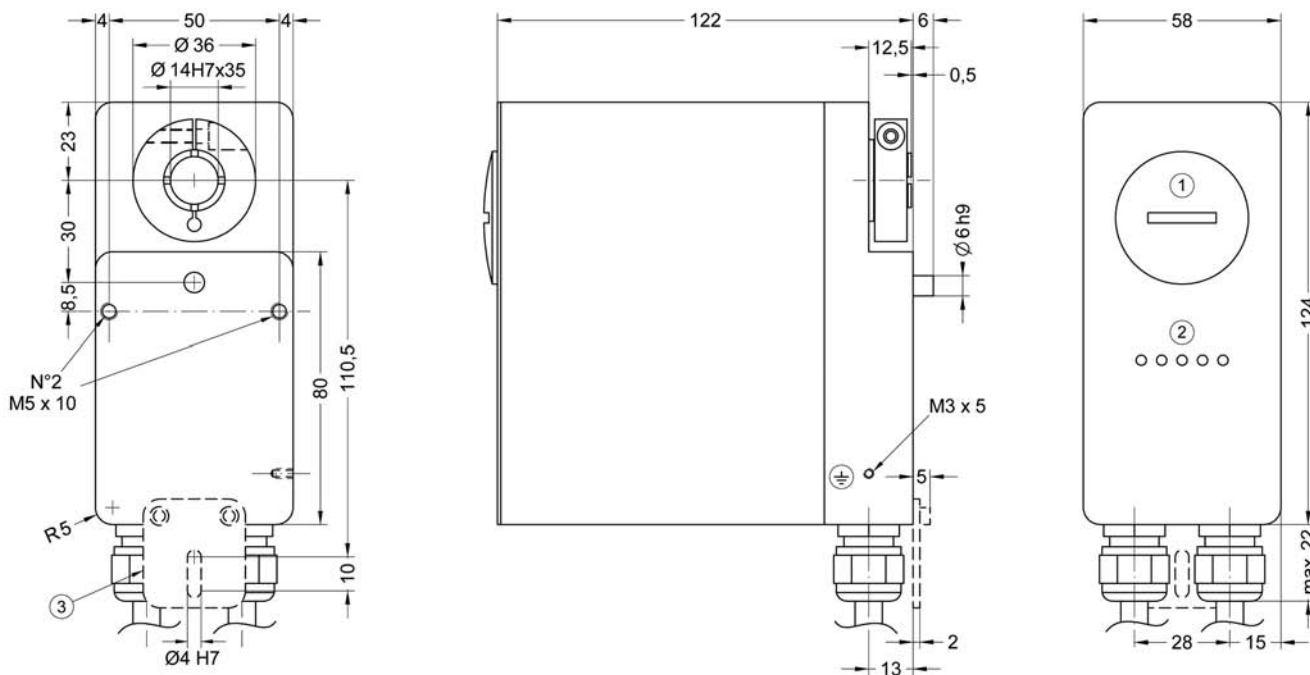


www.lika.biz

- Data-sheet
- User manual
- Software

ACCESSORIES

CC-RD:	DSub mating connectors kit
KIT RD:	Set-up kit
CC-RD-M/I3:	M12 mating connectors kit for Profibus
CC-RD-M/Ix:	M12 mating connectors kit for CAN, RS485
EC-...	connection cables on request



- 1: Jog+ and Jog- buttons, DIP switches for baudrate and node nr. settings
- 2: Diagnostic LEDs
- 3: Fixing plate

RD1

ORDERING CODE

