

- Small size positioning unit with integrated brake



RD22



www.lika.biz
 • Data-sheet
 • User manual
 • Software

ENVIRONMENTAL SPECIFICATIONS

Operating temperature range:	0°C +60°C (32°F +140°F)
Storage temperature range:	-20°C +80°C (-4°F +176°F) (98% R.H. without condensation)
Protection:	IP54

MECHANICAL SPECIFICATIONS

Dimensions:	see drawing
Shaft hollow:	Ø 14 mm
Shaft loading (axial and radial):	50 N
Positioning accuracy:	± 1°
Electrical connections:	2 x 0,2 m (1 ft) cable with DSub connector 2 x cable, 1 m max. 2 x M12 connector
Duty cycle	20% ED
Torque and shaft rotational speed:	1,6 Nm @ 70 rpm (T41) / 1,2 Nm with continuous duty 1,0 Nm @ 110 rpm (T27) / 0,7 Nm with continuous duty
Starting torque:	T41: 3 Nm T27: 2 Nm
Weight:	~ 0,8 kg (28,2 oz)

ELECTRICAL SPECIFICATIONS

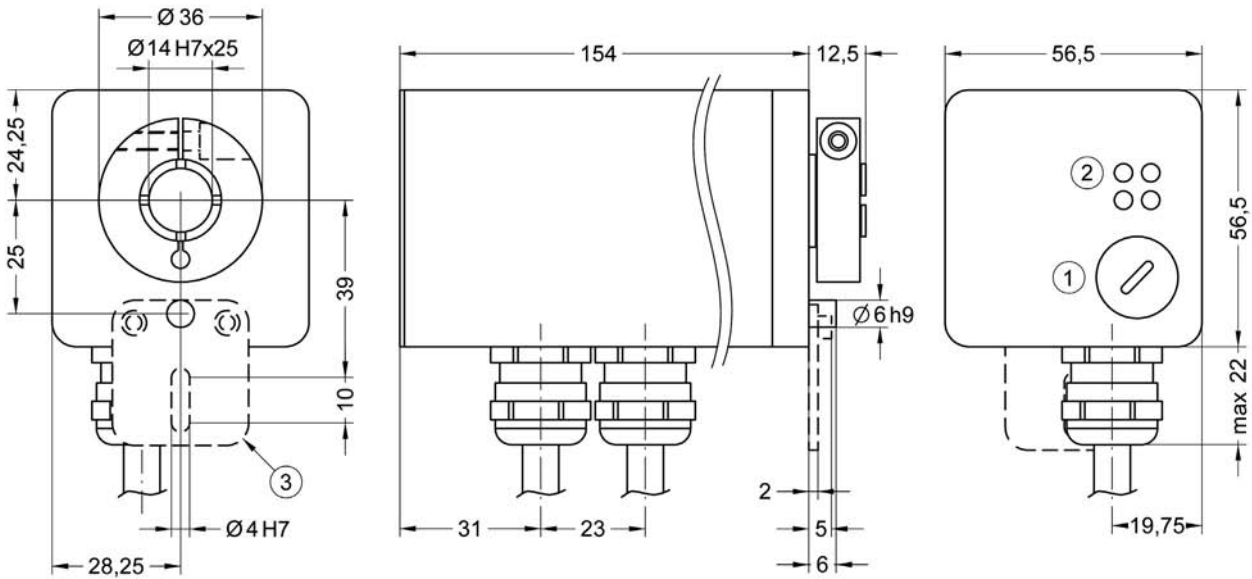
Resolution:	1024 inf./rev. x 1024 rev.
Power supply:	+24Vdc ± 10%
Power (motor):	9,4 W
Service interface:	RS232 (except RS485 and M12 connector version)
Bus Interface:	Profibus-DP, CANopen, RS485
Inputs:	limit switch + and -

MATERIALS

Flange:	non corroding, UNI EN AW-6082
Housing:	non corroding, UNI EN AW-6060
Bearings:	ABEC 5
Shaft:	stainless steel non-magnetic, UNI EN 4305
Motor:	direct current motor 24V - 3000 rpm
Brake:	permanent magnet brake

ACCESSORIES

CC-RD:	DSub mating connectors kit
KIT RD:	Set-up kit
CC-RD-M/I3:	M12 mating connectors kit for Profibus
CC-RD-M/Ix:	M12 mating connectors kit for CAN, RS485
EC-....:	connection cables on request



- 1: DIP switches for baudrate and node nr. settings
- 2: Diagnostic LEDs
- 3: Fixing plate

RD22

ORDERING CODE

