

DRAW WIRE

Miniature wire actuated transducer

lika

Series

SFP



- Robust and space saving construction
- Integrated potentiometer
- Measuring length up to 2000 mm
- Current or voltage output



SFP

ENVIRONMENTAL SPECIFICATIONS

Operating temperature range:	-25°C +85°C (-13°F +185°F)
Protection:	IP64

MECHANICAL SPECIFICATIONS

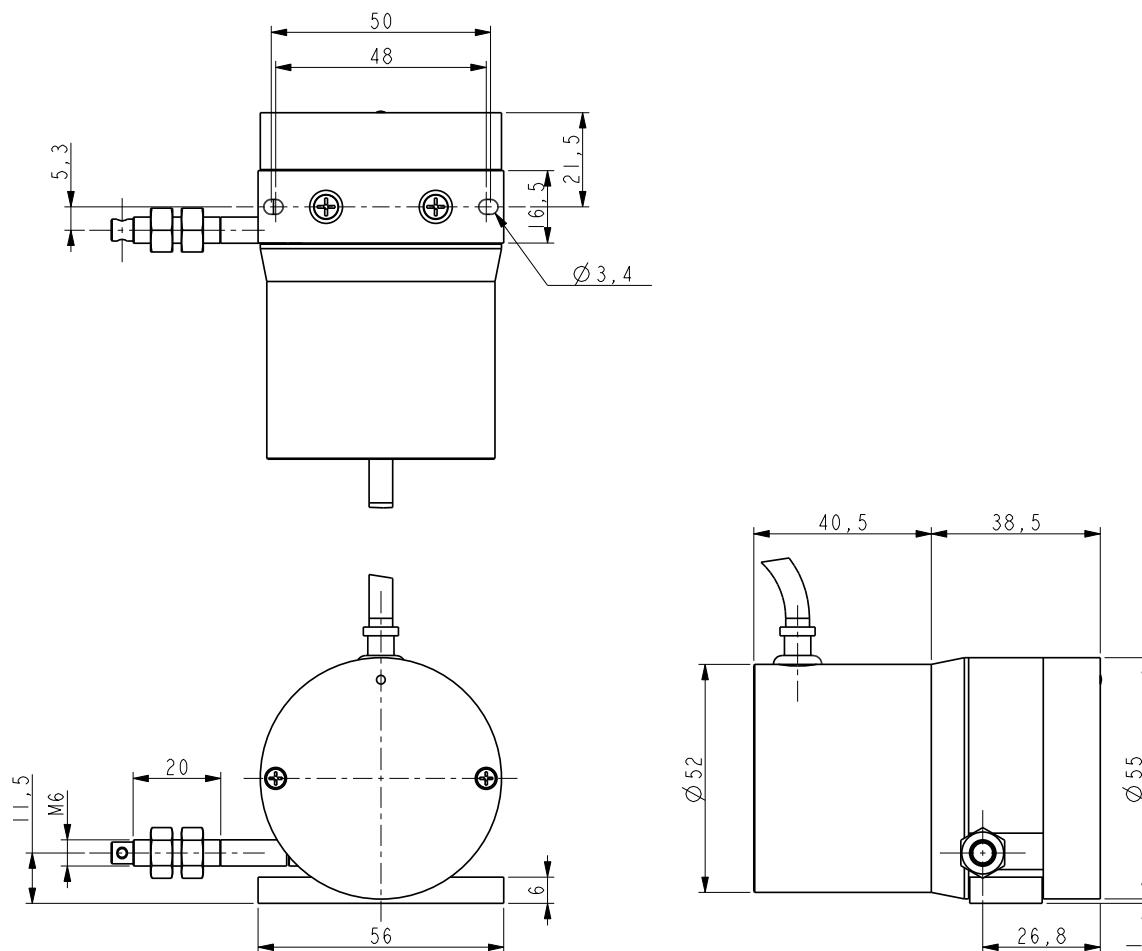
Dimensions:	see drawing
Stroke per turn:	100 mm
Wire retraction force:	3 ÷ 5 N
Measuring length:	300, 500, 1000, 1500, 2000 mm
Measuring speed:	1 m/sec max.
Repeat accuracy:	± 0,15 mm
Weight:	~ 0,2 kg
Connections:	cable 2,0 m

ELECTRICAL SPECIFICATIONS

Current output (AI1):	4-20mA, ±5%, Power supply +10 +30Vdc
Voltage output (AV2):	0-10V, ±5%, Power supply +15 +30Vdc
Resistance output (1, 5, 10, 20):	1, 5, 10, 20 kΩ ±5%, 2W Linearity ±0,25%
Consumption:	2 mA max. (with AI1, AV2 output)

MATERIALS

Housing:	Aluminium
Wire:	Stainless steel



SFP

Order code

SFP	-	XXXX	-	XX	-	XX
		Ⓐ		Ⓑ		Ⓒ

Ⓐ MEASURING LENGTH

300 = 300 mm
 500 = 500 mm
 1000 = 1000 mm
 1500 = 1500 mm
 2000 = 2000 mm

Ⓑ OUTPUT

AI1 = current output 4 -20mA
 AV2 = voltage output 0-10V
 1 = resistance output 1 kΩ
 5 = resistance output 5 kΩ
 10 = resistance output 10 kΩ
 20 = resistance output 20 kΩ

Ⓒ CABLE LENGTH

L2 = cable output 2 m
 L4 = cable output 4 m
 Lx = cable length on request