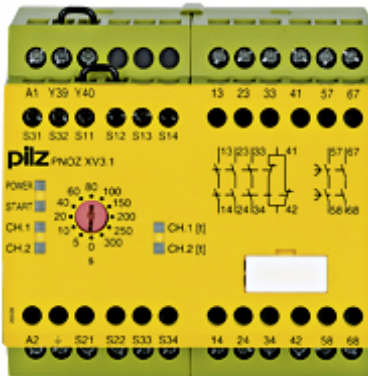


PNOZ XV3.1 300/24VDC 3n/o 1n/c 2n/o t

774538



Safety relay (standalone) Inputs: 1-/2-channel wiring with/without detection of shorts across contacts Outputs: 3 N/O, 1 N/C, 2 N/O delayed UB 24 V DC, width: 90 mm, integral screw terminals, Monitoring E-STOP, safety gates with 2 delay-on de-energisation contacts. Release time 12 stages from 0 - 300 s.

Accessori opzionali



774090

COVER P-93