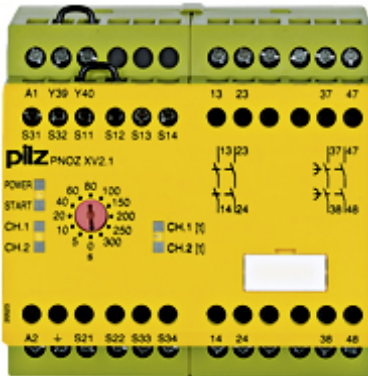


PNOZ XV2.1 300/24-240VACDC 2n/o 2n/o t

774558



Safety relay (standalone) Inputs: 1-/2-channel wiring with/without detection of shorts across contacts Outputs: 2 N/O, 2 N/O delayed. UB 24-240 V AC/DC, width: 90 mm, integral screw terminals, Monitoring E-STOP, safety gates with 2 delay-on de-energisation contacts. Release time 12 stages from 0 - 300 s.

Accessori opzionali



774090

COVER P-93