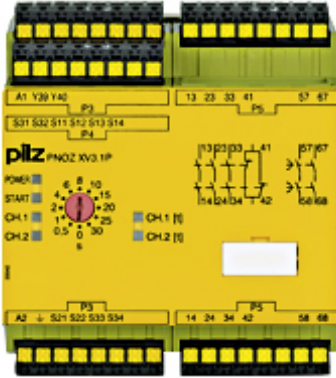


PNOZ XV3.1P C 30/24-240VACDC 3no 1nc 2no

787530



Safety relay (standalone) Inputs: 1-/2-channel wiring with/without detection of shorts across contacts Outputs: 3 N/O, 2 N/C, 2 N/O (t = 0 - 30 s). Automatic/monitored start UB 24 - 240 V AC/DC, width: 90 mm, plug-in spring-loaded terminals. Monitoring E-STOP, safety gates.

Accessori opzionali



374291

PNOZ X Set spring loaded terminals P3+P4



374292

PNOZ X Set spring loaded terminals P5+P6