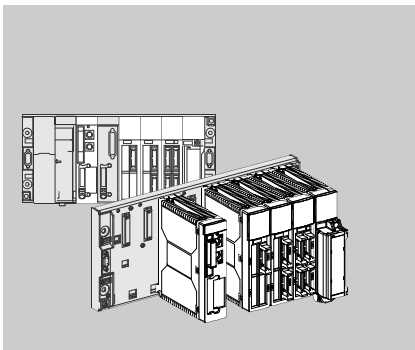


Modicon Premium PLCs TSX 57

Quick reference guide
Kurzanleitung
Instruction de service
Guía de referencias rápidas
Guida di riferimento rapido

Edition October 2009



35006706 06

Schneider
Electric

General safety advice

TSX RKY •• standard racks and TSX RKY •• EX extendable racks

Presentation	7
Physical description	8
Dimensions	9
Mounting / Fixing	9
Installation rules	10
Addressing racks in a PLC station	11
Module addresses	13
Installing modules	14
Mounting modules and terminal blocks	16
Composition of a PLC station with a TSX P57 processor	17
Composition of a PLC station with a PCX 57 processor	19
Bus X extension cables	21
TSX TLYEX line terminator	22
Protective cover for unoccupied position	24
Labelling	25

TSX PSY ••• power supply modules

Presentation	27
Catalog	27
Physical description	28
Auxiliary functions	29
Installation / Mounting	30
Characteristics	31
Connection rules	35

Connections

Grounding the racks	37
Connecting the power supplies	37
Alarm relay connection	40

TSX P57

At a Glance	41
Physical description	42
Installation / Mounting	44
Precautions	45
Auxiliary functions	46
Diagnostics using the display LED	54
Characteristics	55

General introduction to discrete I/O modules

Presentation	63
Physical description	63
Catalog summary	64
Installation / Mounting	66
Functions	66
Connection equipment and wiring rule	69
Characteristics of input modules with terminal blocks	71
Characteristics of input modules with connector(s)	72
Characteristics of output modules with terminal block	73
Characteristics of output modules with connector(s)	75
Characteristics of mixed I/O module with connectors	76
Maintenance / Diagnostics	77
Operating conditions	78

1 General

This manual is intended for personnel technically qualified to install, operate and maintain the products which are described herein. For advanced use of these products please contact your nearest sales office for additional information.

The contents of this manual are not contractual and cannot under any circumstance extend or restrict contract warranty clauses.

2 Qualification of personnel

Only **qualified personnel** are authorized to install, operate or maintain the products. Any work performed by an unqualified person or non-observance of the safety instructions contained in this document or attached to the equipment may jeopardize the safety of personnel and/or cause irreparable damage to equipment.

3 Warnings

Warnings serve to prevent specific risks encountered by personnel and/or equipment. They are indicated in the documentations and on the products by different warning symbols.

Caution

Indicates that not following instructions or ignoring the warning may cause serious personal injury, death and/or serious damage to equipment.

Important or

Indicates that not following a specific instruction may lead to minor injury and/or damage to equipment.

Comment

Highlights important information relating to the product, its operation or its accompanying documentation.

4 Conformity of use

The products described in the documentations **conform to the European Directives** (*) to which they are subject (CE marking). However, they can only be used correctly in the context of the applications for which they are intended (described in the various documents) and when connected to approved third party products.

(*) EMC and LV Directives, concerning Electromagnetic Compatibility and Low Voltage.

5 Installing and setting up equipment

It is important to observe the following rules when installing and starting up equipment. In addition, if the installation includes digital links, it is essential to follow the basic wiring rules, given in the manual "Electromagnetic Compatibility of Industrial Networks and Fieldbuses", **reference TSX DG KBLE**.

• Safety instructions must be followed meticulously. These instructions are in the documentation or on the equipment being installed and set up.

• The type of equipment defines the way in which it should be installed :

- A flush-mountable device (for example, a process control terminal) must be flush-mounted

- A device which is to be built in (for example, a PLC) must be placed in a cabinet or enclosure

- The casing of a laptop or portable device (for example, a programming terminal or a notebook) must remain closed

- If the device is permanently connected, its electrical installation must include a device to isolate it from the power supply and a circuit-breaker to protect it against overcurrents and isolation faults. If this is not the case, the power socket must be grounded and be easily accessed. **The device must be connected to the protective ground.**
- If the device is supplied with 24 or 48 VDC, the low voltage circuits must be protected. Only use power supplies which conform to the standards currently in force.
- Check that the supply voltages remain within the tolerance ranges defined in the technical characteristics of the devices.
- All measures must be taken to ensure that any power return (immediate, warm or cold) does not lead to a dangerous state which may place personnel or the installation at risk.
- Emergency stop devices must remain effective in all the device's operating modes, even those which are abnormal (for example, when a wire becomes disconnected). Resetting these devices must not cause uncontrolled or improper restarts.
- Cables which carry signals must be located where they do not cause interference with the control system functions by capacitive, inductive or electromagnetic interference.
- Control system equipment and their control devices must be installed in such a way as to ensure that they are protected against unintentional operation.
- Appropriate safety measures must be taken for the inputs and outputs, to prevent improper states in the control system device, if no signal is received.

6 Equipment operation

The operational safety and availability of a device is its ability to avoid the appearance of faults and to minimize their effects if they occur.

A fault inside the control system is known as :

- passive, if it results in an open output circuit (no command is sent to the actuators).
- active, if it results in a closed output circuit (a command is sent to the actuators).

From the safety point of view, a given fault is dangerous or not depending on the type of command given during normal operation. A passive fault is dangerous if the normal command is the operation of an alarm. An active fault is dangerous if it maintains or activates an undesirable command.

The system designer must **use devices external to the PLC** to protect against active faults inside the PLC, whether they are indicated or not.

7 Electrical and thermal characteristics

Details of the electrical and thermal characteristics of devices are given in the associated technical documents (installation manuals, service instructions).

8 Maintenance

Troubleshooting procedure

- Control system equipment should only be repaired by qualified personnel (after sales service engineer, or technician approved by Schneider Automation). Only certified replacement parts or components should be used.
- Before performing any operation on equipment, always disconnect the power supply and mechanically lock any moving parts.

Replacement and recycling of used batteries

Use batteries of the same type as the originals and dispose of defective batteries in the same way as toxic waste.

Presentation

TSX RKY ●● racks provide the following functions :

- mechanical functions : they are used for fitting all PLC station modules (power supply, processor, discrete I/O, etc) and can be fitted in enclosures, on the machine frame or on panels,
- electrical functions : they have an integral bus, called Bus X which distributes the power supplies required for each module in the same rack and the service signals and data for the whole PLC station if it comprises a number of racks.

2 families of racks (standard and extendable) are available in several modularities (4, 6, 8, 12 positions) :

- Standard racks : these are used to make up a PLC station limited to **a single rack**.

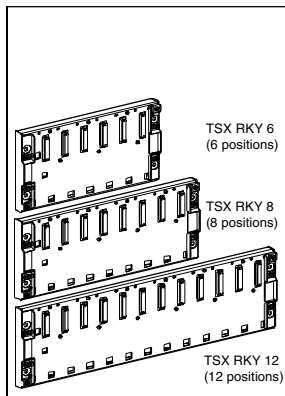
- Extendable racks : these are used to make up a PLC station which can contain :

-**A maximum of 8 TSX RKY 12EX racks.**

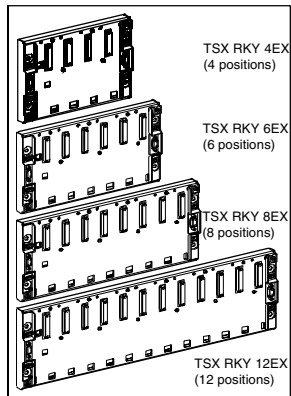
-**A maximum of 16 TSX 4EX/6EX/8EX racks.**

These racks are distributed on a bus called Bus X whose maximum length must not exceed 100 meters. Bus X continuity from one rack to another is provided by a bus extension cable with special characteristics.

Standard racks

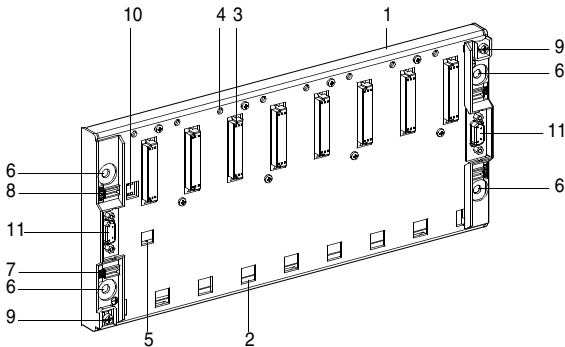


Extendable racks



Physical description

The rack shown below is a TSX RKY 8EX extendable rack. Standard racks do not comprise micro-switches (label 10) and 9-pin SUB D connectors (label 11).



1 Metal plate acting as support for the Bus X electronic card and protection for the bus against EMI/ESD interference, module support and mechanical reinforcement for the rack.

2 Apertures for anchoring the module pins.

3 48-pin female 1/2 DIN connectors for connecting the rack to the modules. They are protected by covers which should be removed before the modules are installed. The connector located furthest to the left and marked PS is always dedicated to the rack power supply module; the other connectors marked 00 to ●● can take all the other type of modules.

4 Tapped holes for the module fixing screw.

5 Aperture which ensures correct location when a power supply module is fitted which cannot be mounted in any other position.

6 Holes for M6 screw for fitting the rack on a support.

7 Location for marking the rack address.

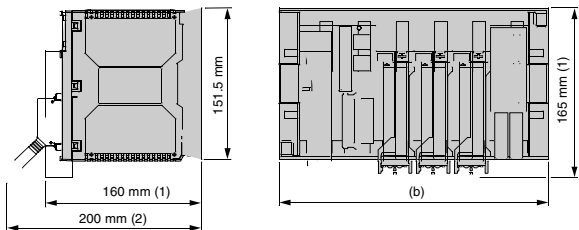
8 Location for marking the station network address.

9 Ground terminals for grounding the rack.

10 Micro-switches for coding the rack address. These micro-switches are only present on TSX RKY 4EX/6EX/8EX/12EX extendable racks.

11 9-pin female SUB D connectors for locating Bus X remotely on another rack. These connectors are only present on TSX RKY 6EX/6EX/8E/X12EX extendable racks.

Dimensions



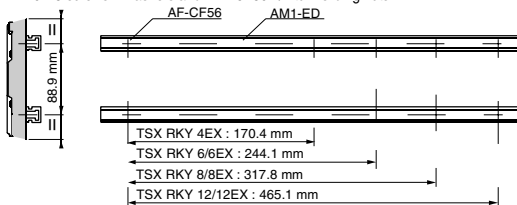
(1) modules with screw terminal blocks
 (2) maximum depth with all type of module and associated connections

Rack references	(b) en mm
TSX RKY 4EX	187,9 mm
TSX RKY 6/6EX	261,6 mm
TSX RKY 8/8EX	335,3 mm
TSX RKY 12/12EX	482,6 mm

Mounting / Fixing

•Mounting on a 35 mm wide DIN rail

Fix with 4 M6x25 screws + washers and AF1-CF56 1/4 turn sliding nuts

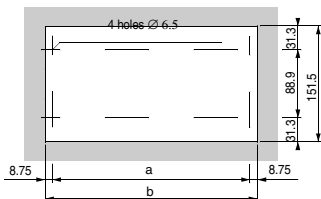


•Mounting on panel : cut-out

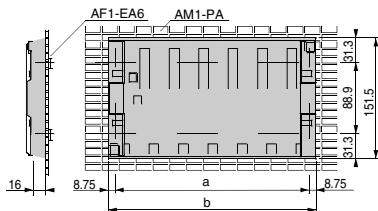
(dimensions in mm)

Rack references	a	b
TSX RKY 4EX	170,4	87,9
TSX RKY 6/6EX	244,1	261,6
TSX RKY 8/8EX	317,8	335,3
TSX RKY 12/12EX	465,1	482,6

a and b dimensions in millimeters



•Mounting on AM1-PA Telequick perforated mounting plate



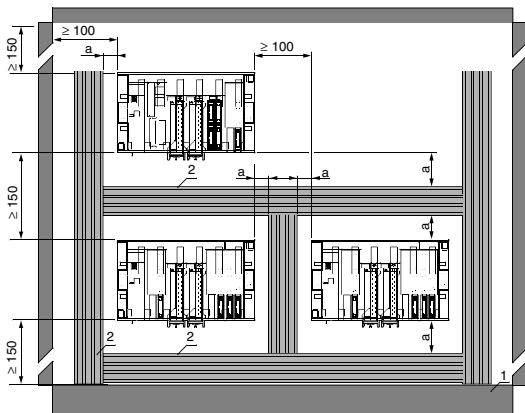
Fix the rack with 4 M6x25 screws + washer and AF1-EA6 clip nuts.

(a and b dimensions : see table on previous page).

•Tightening torque for fixing screws : 2.0 N.m maximum

Installation rules

TSX RKY ●●● racks must be installed horizontally and on a vertical plane.



$a \geq 50 \text{ mm}$

1 housing or enclosure

2 cable duct or clip

Addressing racks in a PLC station

- Station made up of a standard rack

A station is always limited to a single rack and the rack address is therefore implicit and always has the value 0.

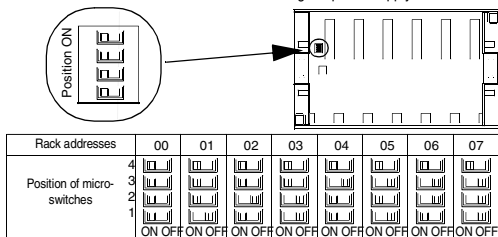
- Station made up of extendable racks

For each station rack, 4 micro-switches located on the rack are used to :

- code the rack address on Bus X (0 to 7) : micro-switches 1 to 3.
- code 2 racks (4, 6 or 8 slots) at the same address : micro-switch 4.

This function is only managed by PL7 Junior and PL7 Pro software versions V ≥ 3.3.

The different addresses must be coded before installing the power supply module.



Assigning addresses to the various racks :

- Address 0 : This address is always assigned to the rack which supports :

- the TSX P57 processor physically
- the PCX 57 processor virtually

This rack can be in any position in the chain.

- Addresses 1 to 7 : These can be assigned to all the other station racks, in any order.

⚠ If, accidentally, two or more racks are unintentionally positioned at the same address (other than address 0), the racks concerned go into fault mode, as do their modules.

After correcting any addressing errors, it is necessary to switch the power supply for those racks on/off.

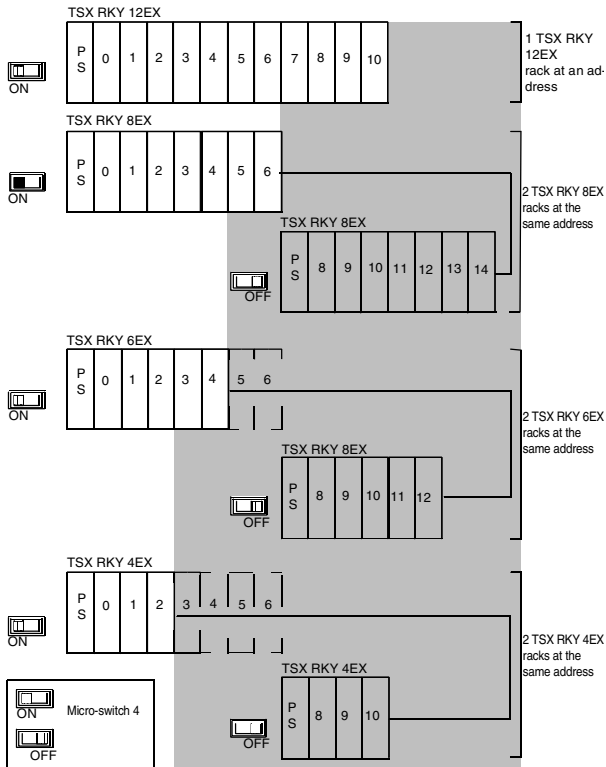
Notes : 1This note only concerns rack with the reference TSX RKY ●●EX.

2If two or more racks are at address 0, the rack supporting the processor does not go into fault mode.

Principle of addressing 2 racks at the same address (see diagram opposite).

This function is only managed by PL7 Junior and PL7 Pro software versions V ≥ 3.3.

- TSX RKY 12EX racks cannot receive a second rack at the same address.
- TSX RKY 4EX/6EX/8EX racks can be mixed together.
- Two TSX RKY 4EX/6EX/8EX racks at the same address are not necessarily daisy-chained from one to the next; the physical distribution is of no importance.



Module addresses

A module address is geographical and will depend on the position of the module in the rack. The address of each position is indicated below each connector. The connector marked PS is always dedicated to the power supply.

Module addresses as a function of the type of rack

•Standard racks

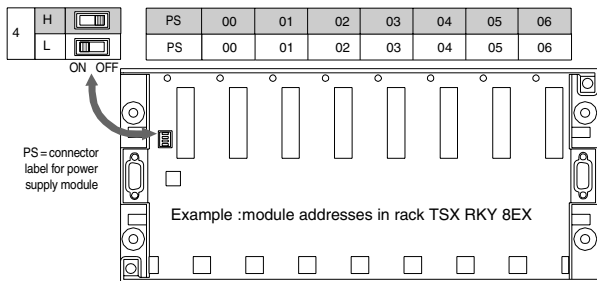
- TSX RKY 6 racks : addresses 00 to 04
- TSX RKY 8 racks : addresses 00 to 06
- TSX RKY 12 racks : addresses 00 to 10

•Extendable racks

The address of a module depends on the position of micro-switch 4 (see table below).

Type of rack	Module addresses	
	micro-switch 4 in ON position	micro-switch 4 in OFF position
Rack TSX RKY 4EX	00 à 02	08 à 10
Rack TSX RKY 6EX	00 à 04	08 à 12
Rack TSX RKY 8EX	00 à 06	08 à 14
Rack TSX RKY 12EX	00 à 10	unusable

Modules addresses



Note : addresses in gray are only currently available with PL7 Junior and PL7 Pro software versions V ≥ 3.3.

Installing modules

•On standard or extendable racks with address 0 and TSX P57 processor

The rack with address 0 must receive a power supply module and the processor module. Premium PLCs have two types of power supply (standard format or double format), the position of the processor depends on the type of power supply used.

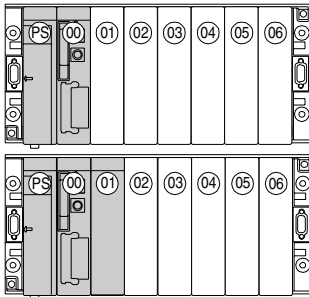
Using a standard format power supply module :

- The power supply module always occupies position PS.

- The standard format processor module can be installed in position 00 (preferred position) or in position 01 (if position 00 is unavailable).

- The double format processor module is installed in positions 00 and 01 (preferred position) or in positions 01 and 02 (if position 00 is unavailable).

- The other modules are installed starting at positions 01, 02 or 03 depending on the installation of the processor.



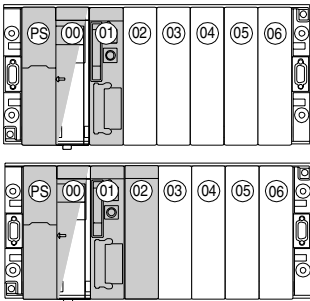
Using a double format power supply module :

-The power supply module always occupies positions PS and 00.

-The standard format processor module must be installed in position 01.

-The double format processor module is installed in positions 01 and 02.

-The other modules are installed starting at positions 02 or 03 depending on the type of processor (standard format or double format).

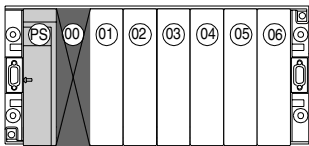


• On extendable racks with address 0 and PCX 57 processor which can be integrated on a PC

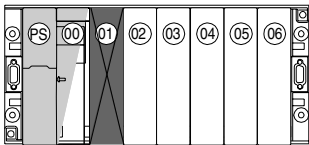
The PCX 57 processor, integrated in the PC, occupies a position "in virtual" on the rack with address 0; this virtual position will be unoccupied. Premium PLCs have two types of power supply (standard format or double format), the position of the processor depends on the type of power supply used.

Using a standard format power supply module :

- The power supply module always occupies position PS.
- Position 00, virtual slot for the processor, must be unoccupied.
- The other modules are installed starting at position 01..


Using a double format power supply module :

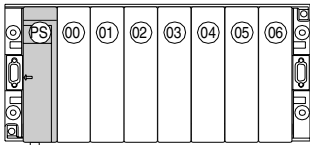
- The power supply module always occupies positions PS and 00.
- Position 00, virtual slot for the processor, must be unoccupied.
- The other modules are installed starting at position 02..


• On extendable rack with address 1 to 7

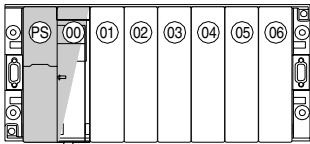
Each rack must have a standard or double format power supply module

Using a standard format power supply module :

- The power supply module always occupies position PS.
- The other modules are installed starting at position 00.


Using a double format power supply module :

- The power supply module always occupies positions PS and 00.
- The other modules are installed starting at position 01.

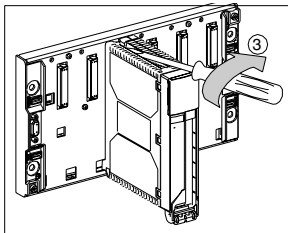
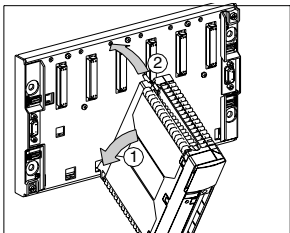


Mounting modules and terminal blocks

Modules can be inserted and removed while powered up with the exception of power supply modules, the processor and PCMCIA communication cards.

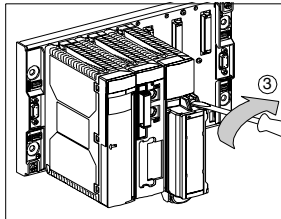
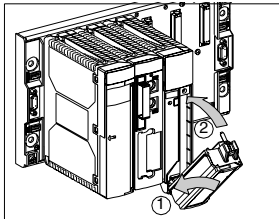
⚠ Insertion/removal of a powered-up module must be performed by screwing or unscrewing the module manually, with the terminal block or HE10 connector disconnected and the sensor/preactuator power supply cut if this is greater than 48V.

• Mounting modules with screw terminal blocks



• Fitting a screw terminal block on a module

The first time a screw terminal block is mounted on a module the terminal block has to be coded with the type of module on which it is mounted. This is done by transferring 2 coding devices from the module onto the screw terminal block. This mechanical code prohibits any subsequent mounting of the terminal block with this code on any other type of module.



Note : When replacing a module already in position on the rack with another module, the screw terminal block on the old module already has coding devices which relate to the module. Two things may happen :

- **Module failure, to be replaced by a module of the same type :** so that the screw terminal block can be installed on the new module, the coding devices on the new module must first be removed before the screw terminal block can be fitted.
- **Replacing a module with another type of module :** first remove the old coding devices on the screw terminal block before continuing with the mounting procedure described above.

Composition of a PLC station with a TSX P57 processor**•Based on TSX RKY 6/8/12 standard racks**

Standard racks are used to make up a PLC station limited to a **single rack**.

•Based on TSX RKY 4EX/6EX/8EX/12EX extendable racks

Extendable racks enable a PLC station to comprise the following :

TSX P57 10 station :

- A maximum of 2 TSX RKY 12EX racks.
- A maximum of 4 TSX RKY 4EX/6EX/8EX racks.

TSX P57 20/57 30/57 40 station :

- A maximum of 8 TSX RKY 12EX racks.
- A maximum of 16 TSX RKY 4EX/6EX/8EX racks.

The same station may comprise 4, 6, 8 and 12 slot racks which are interconnected by Bus X extension cables (label 1). Bus X must be fitted with a line terminator at each end (label 2).

-Bus X extension cables

Connections between racks are made by TSX CBY ●● OK cables which are connected to the 9-pin SUB D connector located to the left and right of each extendable rack.

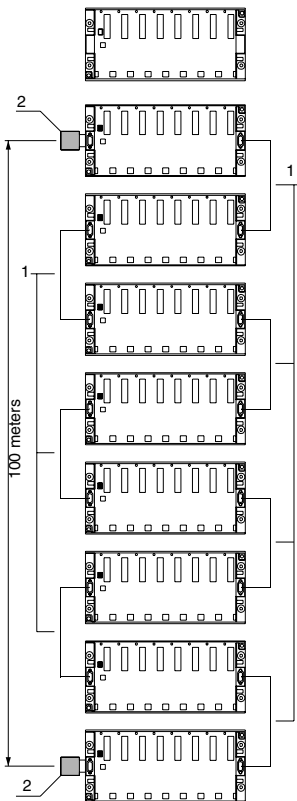
As there is no notion of entry and exit on 9-pin SUB D connectors, cables can come from one rack or go to another rack irrespective of whether connecting from the right or left.

-Line termination

The two extendable racks at each end of the Bus X **must** have a TSX TLYEX line terminator labelled A/ and /B fitted on the unused connector.

-Maximum length of cables

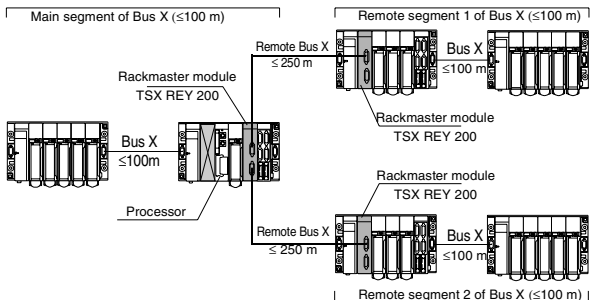
The cumulative length of all the TSX CBY ●●OK cables used in a PLC station must never exceed 100 meters.



If a TSX P57 PLC station requires distances between racks which are greater than 100 meters, a Bus X remote rackmaster module (TSX REY 200) is used to locate two Bus X segments at a maximum distance of 250 meters away from the rack supporting the processor. The maximum length of each Bus X segment is 100 meters.

The maximum number of racks in the station is the same as for a station without a rackmaster module :

- TSX P57 10 station :
 - 2 TSX RKY 12EX racks.
 - 4 TSX RKY 4EX/6EX/8EX racks.
- TSX P57 20/57 30/57 40 station :
 - 8 TSX RKY 12EX racks.
 - 16 TSX RKY 4EX/6EX/8EX racks..



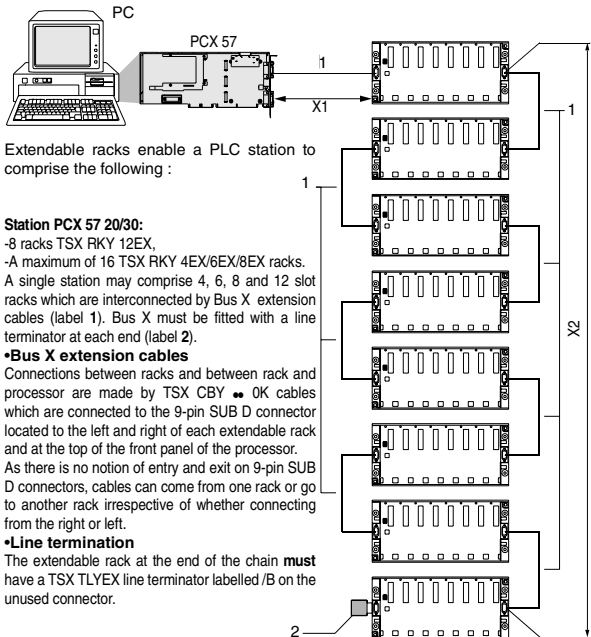
Installation of a Bus X rackmaster is described in the installation guide supplied with the TSX REY 200 module.

Terminology

- TSX 57 10 station : station fitted with a TSX P57 10•/15• processor
- TSX 57 20 station : station fitted with a TSX P57 20•/25•/2•23 processor
- TSX 57 30 station : station fitted with a TSX P57 30•/35•/3623 processor
- TSX 57 40 station : station fitted with a TSX P57 45•/4823 processor

Composition of a PLC station with a PCX 57 processor

In this case, the PLC station is made up of TSX RKY 4EX/6EX/8EX/12EX extendable racks.



Extendable racks enable a PLC station to comprise the following :

Station PCX 57 20/30:

- 8 racks TSX RKY 12EX,

- A maximum of 16 TSX RKY 4EX/6EX/8EX racks.

A single station may comprise 4, 6, 8 and 12 slot racks which are interconnected by Bus X extension cables (label 1). Bus X must be fitted with a line terminator at each end (label 2).

•Bus X extension cables

Connections between racks and between rack and processor are made by TSX CBY ●● 0K cables which are connected to the 9-pin SUB D connector located to the left and right of each extendable rack and at the top of the front panel of the processor.

As there is no notion of entry and exit on 9-pin SUB D connectors, cables can come from one rack or go to another rack irrespective of whether connecting from the right or left.

•Line termination

The extendable rack at the end of the chain **must** have a TSX TLYEX line terminator labelled /B on the unused connector.

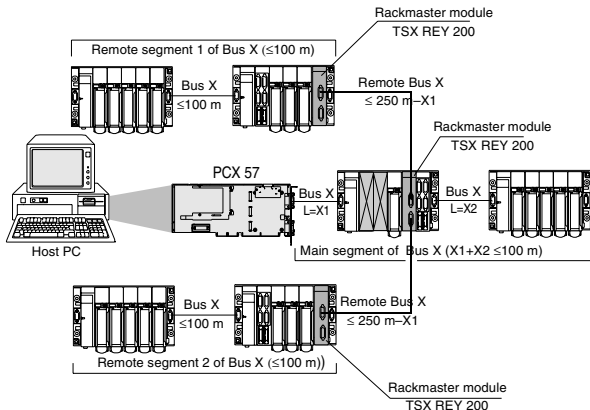
The PCX 57 processor was originally designed to be at the head of the line. The equivalent of line terminator /A is therefore integrated in it.

•Maximum cable length : The cumulative length (X1 + X2) of all the TSX CBY ●● 0K cables used in a PLC station must never exceed 100 meters.

If a PCX 57 PLC station requires distances between racks which are greater than 100 meters, a Bus X remote rackmaster module (TSX REY 200) is used to locate two Bus X segments at a maximum distance of 250 meters away from the rack virtually supporting the processor. The maximum length of each Bus X segment is 100 meters.

The maximum number of racks in the station is the same as for a station without a rackmaster module :

- PCX 57 20/30 station :
- 8 TSX RKY 12EX racks.
- 16 TSX RKY 4EX/6EX/8EX racks.



Installation of a Bus X rackmaster is described in the installation guide supplied with the TSX REY 200 module.

Terminology

- PCX 57 20 station : station fitted with a TPCX 57 203 processor
- PCX 57 30 station : station fitted with a TPCX 57 353 processor

Bus X extension cables

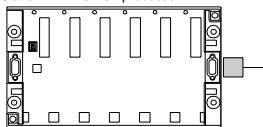
•Bus X extension cables : TSX CBY ●●0K (●● ≥ 02)

These cables, of a set length, enable the TSX RKY●●EX expandable racks to be daisy-chained together. When a PCX 57 processor is used, they can also be used to make the connection between the processor integrated in the PC and the first rack in the station. They are fitted at each end with a 9-pin SUB D connector.

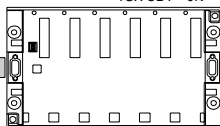
Note : these cables do not carry the power supply, each rack has its own power supply.

References	Length
TSX CBY 010K (●● ≥ 02)	1 meter
TSX CBY 030K (●● ≥ 02)	3 meters
TSX CBY 050K (●● ≥ 02)	5 meters
TSX CBY 120K (●● ≥ 02)	12 meters
TSX CBY 180K (●● ≥ 02)	18 meters
TSX CBY 280K (●● ≥ 02)	28 meters
TSX CBY 380K (●● ≥ 02)	38 meters
TSX CBY 500K (●● ≥ 02)	50 meters
TSX CBY 720K (●● ≥ 02)	72 meters
TSX CBY 1000K (●● ≥ 02)	100 meters

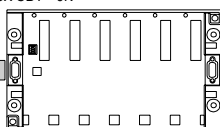
Station with PCX 57 processor



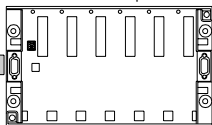
TSX CBY ●●0K



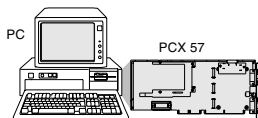
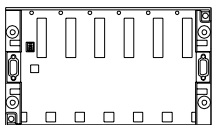
TSX CBY ●●0K



Station with PCX 57 processor



TSX CBY ●●0K



⚠ The cumulative length of all the cables used in a PLC station must never exceed 100 meters.

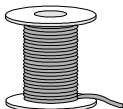
⚠ The insertion or extraction of a TSX CBY ●●0K cable must only be performed with all the racks of a station powered down.

•Bus X extension cables : TSX CBY 1000 (length 100 meters)

For Bus X lengths less than 100 meters between 2 racks, but not corresponding to those available already fitted with connectors, the TSX CBY 1000 cable must be used. The user must fit TSX CBY K9 connectors at each end of this cable. This procedure is described in the quick reference guide supplied with the cable and connectors.

Setting up this cable requires the following items :

-A length of TSX CBY 1000 cable with 2 testers to check the cable after the various accessories have been fitted.



Length



Testers



TSX CBY K9 connectors

-2 x 9-pin TSX CBY K connectors with various accessories.

-A TSX CBY ACC10 kit comprising 2 crimping pliers and a tool to remove contacts in case of error.

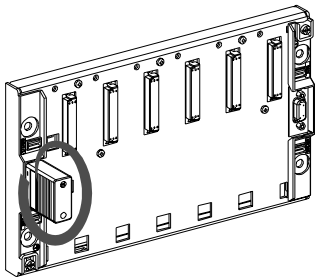


TSX CBY ACC10



TSX TLYEX line terminator

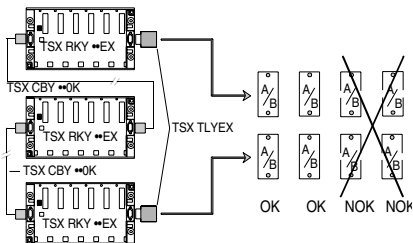
When using extendable racks, a line terminator must be fitted at each end of the X Bus. The line terminator comprises a 9-pin SUB D connector and a cover which contains the adaptation components. The line terminators are mounted on the 9-pin SUB D connector which has not been used on the rack at the end of the line. TSX TLY EX line terminators are sold in lots of 2 and labelled A/ and /B. The bus must have a line terminator A/ at one end and a line terminator /B at the other end, in no particular order.



⚠ All the station racks must be powered down prior to inserting or removing a line terminator.

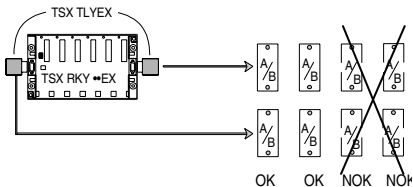
•Positioning line terminators on a PLC station with a TSX P57 processor

-on a PLC station with several TSX RKY ●●EX extendable racks

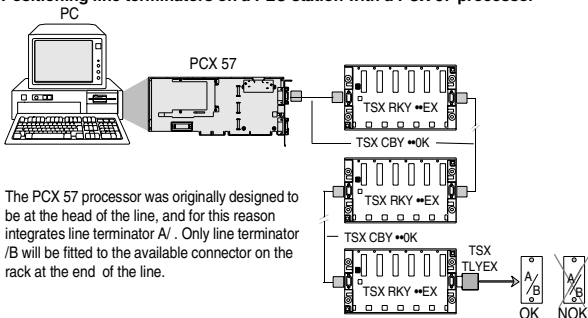


-on a PLC station with just one extendable rack

In this case, a line terminator must be fitted to each of the 9-pin SUB D 9 connectors on the rack.



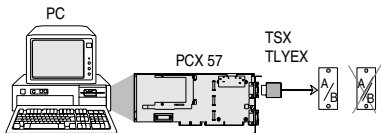
•Positioning line terminators on a PLC station with a PCX 57 processor



The PCX 57 processor was originally designed to be at the head of the line, and for this reason integrates line terminator A/. Only line terminator /B will be fitted to the available connector on the rack at the end of the line.

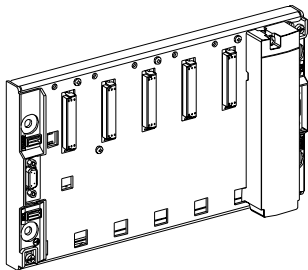
Special case :

If a position in a rack is unoccupied, it is recommended to place a TSX RKA 02 cover over the position.



Protective cover for unoccupied position

If a position in a rack is unoccupied, it is recommended to place a TSX RKA 02 cover over the position.



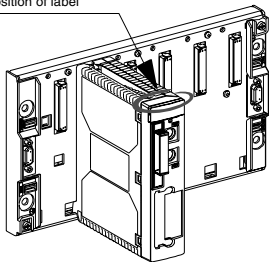
Labelling

•Labelling the positions of the modules in the rack

Each rack is supplied with a sheet of adhesive labels in order to mark the position of each of the modules.

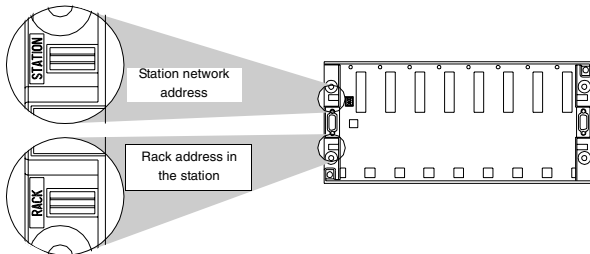
PS	00	01	02	03	04	05	06
07	08	09	10	11	12	13	14

Position of label



•Rack labelling

Each rack is supplied with a pack of clip-on markers on a strip which can be used to mark the address of the rack in the station and the network address of the station.



Presentation

TSX PSY ●●●● power supply modules supply all the necessary voltages for modules installed on each TSX RKY ●●● rack. Each rack has its own power supply module.

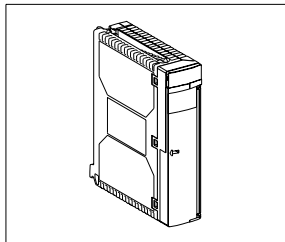
In order to meet the various requirements, several module types are available :

- Standard and double format modules for 110-220V AC supply,
- Standard and double format modules for 24V DC supply, non-isolated.
- Double format module for 24...48V DC supply, isolated.

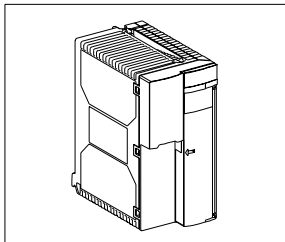
In addition, each module has auxiliary functions such as :

- A display block,
- An alarm relay,
- A slot which takes a battery for backing up the data in the processor internal RAM memory,
- A pencil-point type pushbutton which when pressed, simulates a power break, causing a warm restart of the application,
- 24 VDC sensor power supply (only on modules powered by an AC supply).

Standard format module



Double format modules



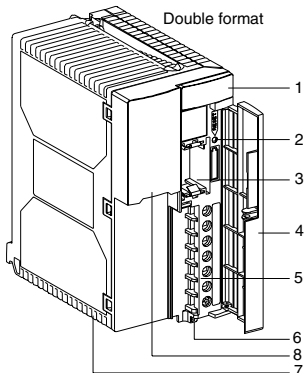
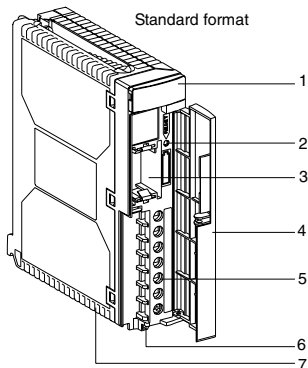
Catalog

Module format	Supply network voltage	Total useful power	Sensor power supply	References
standard	100...240VCA	26W	24VCC / 0.6A	TSX PSY 2600
double	100...120VCA	50W	24VCC / 0.8A	TSX PSY 5500
	200...240VCA	77/85/100W (1)	24VCC / 1.6A	TSX PSY 8500
standard	24 VCC	26W	-	TSX PSY 1610
double	24 VCC	50W	-	TSX PSY 3610
double	24...48 VCC	50W	-	TSX PSY 5520

(1) 77 W at 60°C, 85 W at 55°C, 100 W at 55°C with fan-cooled rack

Physical description

- Display block comprising :
 - an OK indicator lamp (green), on if operation is normal,
 - a BAT indicator lamp (red), on if the battery is defective or missing,
 - a 24V indicator lamp (green), on when the sensor voltage is present and correct. Indicator lamp is only on TSX PSY 2600 5500/8500 modules.
 - Pencil-point RESET button. Causes a warm restart of the application when pressed.
 - Slot which takes a battery for backing up the processor internal RAM memory.
 - Cover which protects the module front panel.
 - Screw terminal block for connection :
 - to the power supply,
 - of the alarm relay contact,
 - of the sensor power supply for TSX PSY 2600/5500/8500 AC supply modules.
 - Hole for a cable clamp.
 - Fuse located under the module protects:
 - the 24 VR voltage on the TSX PSY 3610 non-isolated power supply module.
 - the primary voltage on the TSX PSY 1610 non-isolated DC power supply module.
- Note : on TSX PSY 2600/5500/5520/8500 power supplies, the fuse protecting the primary voltage is internal to the module and cannot be accessed.
- 110/220 voltage selector, present only on the TSX PSY 5500/8500 power supply modules.
- At the time of supply, the selector is set to 220.

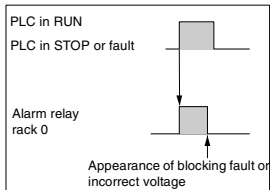


Auxiliary functions

• **Alarm relay** : included in every power supply module, this relay has a volt-free contact which can be accessed on the de module connection block.

• **Alarm relay of module located on the rack with the processor (rack 0)** :

In normal operation (PLC in RUN), the relay is activated and its contact closed (state 1). On every stop, even partial, appearance of a blocking fault, incorrect output voltages or disappearance of the supply voltage, the relay drops out and the contact opens (state 0).



Note : when using a PCX 57 type processor, the alarm relay is not managed and is therefore constantly open. If this function is indispensable for the correct operation of the installation, this alarm relay can be replaced by using a relay output from another module on the Bus X or FIPIO bus. To achieve this, the output must be a relay output which has been configured with fallback to 0 and initialized at state 1 at the start of the execution of the application program.

- **Alarm relay for modules located on other racks (racks 1 to 7)** :

In this case, when the power supply module is powered up and if the output voltages are correct, the alarm relay is activated and its contact closed (state 1). On disappearance of the supply voltage or if the output voltages are incorrect, the relay drops out (state 0).

These operating modes enable the contacts to be used in external positive safety circuits, such as the interlocking of preactuator power supplies.

• **Backup battery** : this ensures protection of the internal RAM memory of the TSX P57 processor. Supplied in the same packaging as the module, it must be fitted by the user, taking care to respect the polarities.

-Battery characteristics : thionil chloride lithium battery, 3.6V / 0.8 Ah, size1 / 2AA.

-Replacement part reference : TSX PLP 01.

-Battery check : If there are any problems, the BAT lamp will come on. If this occurs, change the battery immediately.

-Battery backup period :

Ambient temperature when not operating		≤30°C	40°C	50°C	60°C
Backup period	PLC switched off 12 hours/day	5 yrs	3 yrs	2yrs	1yr
	PLC switched off 1 hour/day	5 yrs	5 yrs	4.5yrs	4 yrs

-Protection while changing battery : the battery should be changed while the module is powered up or immediately after powering down. In the latter case, the intervention time is limited. After a certain period of time the data in the RAM memory will be lost..

Ambient temperature during power down	20°C	30°C	40°C	50°C
Backup period	2h	45mn	20mn	8mn

Note : with a PCX 57 processor, it is of no benefit to provide a battery in the power supply of the rack which receives the processor virtually (rack at address 0). In this case, the battery which is used to protect the processor internal RAM memory, is mounted on it.

•**Display** : 3 indicator lamps (OK, BAT, 24V) on TSX PSY 2600/5500/8500 modules and 2 indicator lamps (OK, BAT) on TSX PSY 1610/3610/5520 modules.



-OK indicator lamp (green) : on during normal operation, off if the output voltages are no longer present or correct,

-BAT indicator lamp (red) : on if battery missing, run down, incompatible or wrong way round and off during normal operation,

-24V indicator lamp (green) : on during normal operation, off if the 24V sensor voltage is no longer present.

•**RESET pushbutton** : action on this pushbutton (press and release) effects a warm restart of the application.

•**Sensor power supply** : available on TSX PSY 2600/5500/8500 AC power supplies, it provides the 24 VDC sensor supply.

Installation / Mounting

•Installation

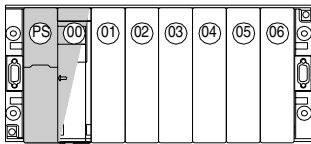
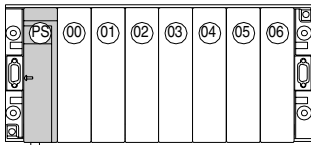
-TSX PSY 2600/1610 standard format power supply modules:

These are installed in the first slot of each TSX RKY ●●● rack and occupy position PS.

-TSX PSY 3610/5500/5520/8500 double format power supply modules :

These are installed in the first two slots of each TSX RKY ●●● rack and occupy positions PS and 00

Note : the power supply modules have a locating system which ensures that they can only be installed in the slots designated above..



• **Insertion** : (see section on mounting modules in this document)

⚠ **When inserting or removing a TSX PSY ●●● power supply module, the external power supplies must be powered down.**

Characteristics

•Non-isolated power supplies for DC line supply

Module references		TSX PSY 1610	TSX PSY 3610	
Primary	Nominal voltages	24 VDC	24 VDC	
	Limit voltages (1) (ripple included)	19,2...30 VDC (possible up to 34V for 1H / 24 H)		
	Nominal current drawn	≤ 1,5 A at à 24 V	≤ 2,7 A at à 24 V	
	Initial power up at 25°C (2)	I inrush	≤ 100 A at 24 V	≤ 150 A
		I _t on energization	0,2 As at 24 V	0,5 As at 24 V
		I _t on energization	12,5 A ² s at 24 V	20 A ² s at 24 V
	Accepted duration of micro-cuts	≤ 1 ms	≤ 1 ms	
Integrated protection on + input (fuse located under the module)	via 5x20 fuse, UL, delayed action, 3,5 A	no		
Secondary	Total useful power	30 W	50 W	
	5 VDC output	Nominal voltage	5 VDC	5,1 VDC
		Power	15 W	35 W
	24VR output (3) (24V relay)	Nominal voltage	U primary – 0.6V	U primary – 0.6V
		Power	15 W	19 W
Outputs protected against (4)	overloads/short-circuits/overvoltages			
Dissipated power		10 W	15 W	
Conformity to standards		IEC 1131-2	IEC 1131-2	

- (1) For the power supply to "relay output" modules, the range is reduced to 21.6...26.4V.
- (2) These values should be taken into account when calculating the size of line protection devices upstream of the power supply.
- (3) 24 V --- output for supplying "relay output" module relays.
- (4) The 24 VR output is protected by a fuse located under the module (4 A, 5x20, type M)..

Characteristics (cont'd)

•Isolated power supplies for DC line supply

Module references		TSX PSY 5520		
Primary	Nominal voltages		24...48 VDC	
	Limit voltages (including ripple)		19,2...60 VDC	
	Nominal current drawn		≤ 3 A at 24 V ≤ 1,5 A at 24 V	
	Initial power up at 25°C (1)	I inrush	≤ 15 A at 24 V ≤ 15 A at 24 V	
		It on energization	7 As at 24 V 6 As at 48 V	
		I _t on energization	50 A ² s at 24 V 55 A ² s at 48 V	
	Accepted duration of micro-cuts		- 1 ms	
Integrated protection on + input		via internal fuse, not accessible		
Secondary	Total useful power		50 W	
	5 VDC output	Nominal voltage	5,1 VCC	
		Power	35 W	
	24V _R output (2) (24V relay)	Nominal voltage	24VCC	
		Power	19 W	
Outputs protected against overloads/short-circuits/overvoltages				
Dissipated power		20 W		
Conformity to standards		CEI 1131-2		
Isolation	Dielectric strength	primaire/secondaire	2000V rms - 50/60 Hz - 1min	
		primary/ground	2000V rms - 50/60 Hz - 1min	

(1)These values should be taken into account when calculating the size of line protection devices upstream of the power supply.

(2)24 V ∴ output for supplying "relay output" module relays.

•Alarm relay contact

Limit operating voltage		~ 19...264 VAC or ∴10...30 VDC (1)			
AC load	Usual voltages	24 VAC	48 VAC	110 VAC	220 VAC
	Power on resistive load	50 VA	50 VA	110 VA	220 VA
	Power on inductive load	50 VA	50 VA	110 VA	220 VA
DC load	Usual voltages	24 VDC			
	Power on resistive or inductive load	24W			
Isolation	contact/ground	2000 Vrms - 50/60 Hz - 1 min			
Protection to be integrated at load terminals		RC or MOV in ~, flywheel diode in ∴			

(1)possible up to 34 VDC for 1 hour in 24.

Characteristics (cont'd)

•Power supplies for AC line supply

Module references			TSX PSY 2600	TSX PSY 5500
Primary	Nominal voltages		100...240 VAC	100...120/200...240 VAC
	Limit voltages		85...264 VAC	85...140/190...264 VAC
	Nominal/limit frequencies		50-60/47-63 Hz	
	Apparent power		50 VA	150 VA
	Nominal current drawn		≤ 0,5 A at 100 V ≤ 0,3 A at 240 V	≤ 1,7 A at 100 V ≤ 0,5 A at 240 V
	Initial power up at 25°C (1)	I inrush	≤ 37 A à 100 V ≤ 75 A à 240 V	≤ 38 A à 100V ≤ 38 A à 100V
			0,034 As at 100 V 0,067 As at 240 V	0,11 As at 100 V 0,11 As at 240 V
		It on energization	0,63 A²s at 100 V 2,6 A²s at 240 V	4 A²s at 100 V 2 A²s at 240 V
	Accepted duration of micro-cuts		≤ 10 ms	≤ 10 ms
	Integrated protection on phase via internal fuse, not accessible			
Secondary	Total useful power		26 W	50 W
	5 VDC output	Nominal voltage	5,1 VDC	5,1 VDC
		Power	25 W	35 W
	24VR output (2)	Nominal voltage	24 VDC	24 VDC
		Power	15 W	19 W
	24VC output (3)	Nominal voltage	24 VDC	24 VDC
		Power	12 W	19 W
Outputs protected against overloads/short-circuits/overvoltages				
Dissipated power			10 W	20 W
Conformity to standards			IEC 1131-2	IEC 1131-2
Isolation	Dielectric strength	primary/secondary	2000 Vrms - 50/60 Hz - 1min	
		primary/ground	2000 Vrms - 50/60 Hz - 1min	

(1) These values should be taken into account when calculating the size of line protection devices upstream of the power supply.

(2) 24 V ∴ output for supplying "relay output" module relays.

(3) 24 V ∴ output for the sensor power supply. It cannot be paralleled with an external power supply.

Characteristics (cont'd)

•Power supplies for AC line supply (cont'd)

Module references		TSX PSY 8500	
Primary	Nominal voltages	100...120/200...240 VAC	
	Limit voltages	85...140/170...264 VAC	
	Nominal/limit frequencies	50-60/47-63 Hz	
	Apparent power	150 VA	
	Nominal current drawn	≤ 1,4 A at 100 V ≤ 0,5 A at 240 V	
	Initial power up at 25°C (1)	I inrush	≤ 30 A at 100 V ≤ 60 A at 240 V
		I _t on energization	0,15 As at 100 V 0,15 As at 240 V
		I _{It} on energization	15 A's at 100 V 8 A's at 240 V
Accepted duration of micro-cuts		≤ 10 ms	
Integrated protection on phase via internal fuse, not accessible			
Secondary	Total useful power	77/85/100 W (2)	
	5 VDC output	Nominal voltage	5,1 VDC
		Power	75 W
	24VR output (3)	Nominal voltage	not supplied
		Power	not supplied
	24VC output (4)	Nominal voltage	24 VDC
Power		38 W	
Outputs protected against overloads/short-circuits/overvoltages			
Dissipated power		20 W	
Conformity to standards		IEC 1131-2	
Isolation	Dielectric strength	primary/secondary	3000V rms - 50/60 Hz - 1mi
		primary/ground	3000V rms - 50/60 Hz - 1mi

(1) These values should be taken into account when calculating the size of line protection devices upstream of the power supply.

(2) 77W at 60°C, 85W at 60°C, 100W at 55°C with rack cooled by TSX FAN • ventilation modules.

(3) 24 V ∴ output not supplied on this power supply. The mounting of relay output modules is therefore not permitted on racks with this power supply module.

(4) 24 V ∴ output for the sensor power supply. It cannot be paralleled with an external power supply.

•Service conditions for TSX Premium PLCs

Operation

Ambient operating temperature	0°C...60°C
Relative humidit	10% to 95% (without condensation)
Altitude	0 to 2000 meters

Storage

Storage temperature	-25°C to +70°C
Relative humidity	5% to 95% (without condensation)

Connection rules

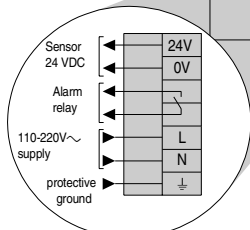
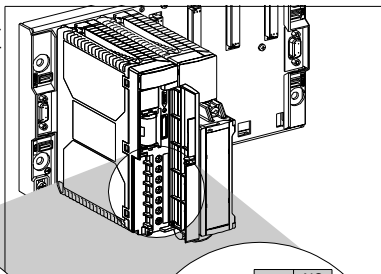
• **Connections** : The power supply module screw terminal block is equipped with captive screw clamp terminals enabling the connection of 1 wire with maximum cross section of 2.5mm² or 2 wires with a cross section of 1.5mm² with ends. The wires exit vertically downwards, and can be secured with a cable clamp. For DC power supplies, limit the length of the connection cable to the supply to prevent any line losses (see below).

Module references	Cable lengths
TSX PSY 1610	30 meters (60 meters in total) with copper wires of 2.5 mm ² 20 meters (40 meters in total) with copper wires of 1.5 mm ²
TSX PSY 3610 / 5520	15 meters (30 meters in total) with copper wires of 2.5 mm ² 10 meters (20 meters in total) with copper wires of 1.5 mm ²

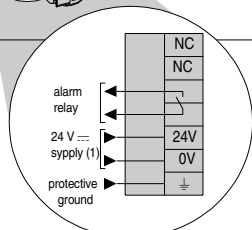
• **Tightening torque for terminal block screw clamp**: 0.8 N.m maximum

• **Protection** : Locate a protective device and a power breaker upstream of the PLC station.

Note : Given that the DC power supplies have a very strong inrush current, it is not advisable to use them on DC supplies with return current protection (fold back)



Power supply for an AC supply :
TSX PSY 2600/5500/8500

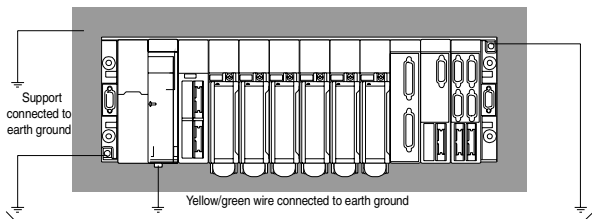


Power supply for a DC supply :
TSX PSY 1610/3610/5520

⚠ TSX PSY 5500/8500 : set the voltage selector position according to the mains voltage being used 110 or 220 VAC

(1) 24...48 VDC for the
TSX PSY 5520 power supply

Grounding the racks

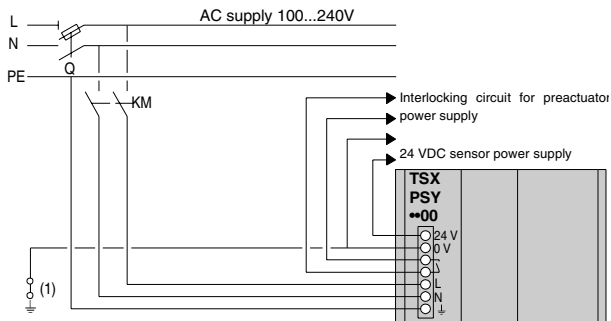


Important

The internal 0V is connected to the mechanical ground. The mechanical ground is in turn connected to earth ground.

Connecting the power supplies

•TSX PSY 2600 / 5500 / 8500 modules



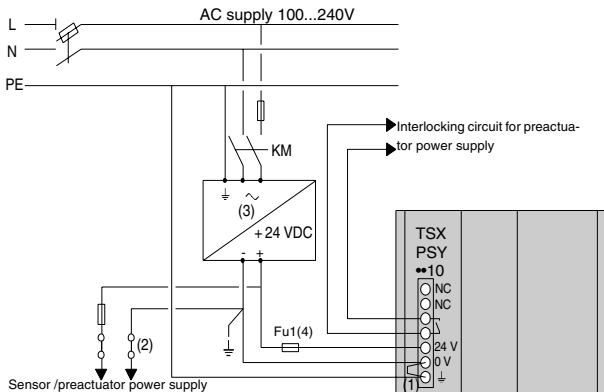
Q :General isolator.

KM :Line contactor or circuit-breaker.

These power supplies have an integrated protection fuse in series with input L, which is situated inside the module and cannot be accessed.

(1)Isolation strip for locating any ground connection fault.

•TSX PSY 1610 / 3610 non isolated power supply module

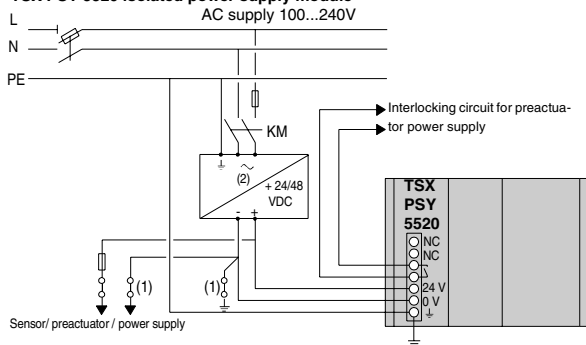


Q :General isolator

KM :Line contactor or circuit-breaker

- (1) External shunt provided with power supply module.
- (2) Isolation strip for locating ground connection fault. In this case, the power supply must be disconnected in order to disconnect the supply from ground.
- (3) TSX SUP 1●●1 process power supply can be used.
- (4) External protection fuse (4 A, delayed action type) only on TSX PSY 3610 module. The TSX PSY 1610 module has an integrated protection fuse (3.5A, 5x20, UL, delayed action type), situated inside the module and in series with the 24V input.

•TSX PSY 5520 isolated power supply module



Q :General isolator

KM :Line contactor or circuit-breaker

(1) Isolation strip for locating ground connection fault

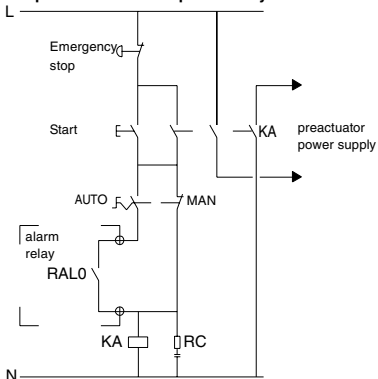
(2) TSX SUP 1ii1 process power supply can be used

The TSX PSY 5520 module has an integrated protection fuse in series with the 24V input, which is situated inside the module and cannot be accessed.

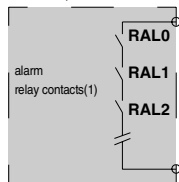
Alarm relay connection

Interlocking circuit for sensor and preactuator power supply

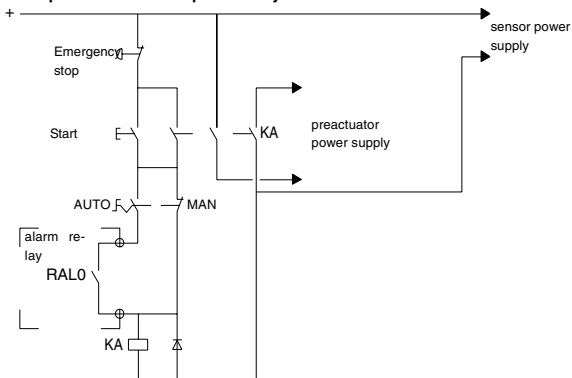
• Example 1 : PLC station powered by the AC line



(1) all power supply alarm relay contacts to be connected in series (RAL0, RAL 1, RAL2, etc)



• Example 2 : PLC station powered by the DC line



At a Glance

A wide range of processors, scalable in terms of performance and capacity, are available to meet the different needs of users.

TSX 57 processors can be installed in TSX RKY** racks.

TSX processors manage the whole PLC station consisting of discrete input/output modules, analog modules and application-specific modules (counting, axis control, stepper control, communication, etc.) located on one or more racks connected to the X Bus.

Each processor includes :

- a protected internal RAM memory which can take the application program and can be extended by a PCMCIA memory extension card (RAM or FLASH EPROM),
- a realtime clock,
- 2 terminal ports (TER and AUX) (exclusively TER for TSX P57 554/5634) for connecting several devices simultaneously (programming terminal, human-machine interface terminal, etc),
- a slot for a PCMCIA communication card (Modbus+, FIPWAY, FIPIO Agent, UNI-TELWAY, serial links),
- a master FIPIO link on TSX P57 •5• and TSX P57 •8•• ,
- an Ethernet link on TSX P57 ••23and TSX P57 ••34,
- a USB link on TSX P57 554/5634.

According to its Product Reference, a Premium processor can be configured and programmed by the PL7 or Unity Pro software workshop.

As a general rule, all processors with a Product Reference ending in "3" are programmed with PL7. Those with a Product Reference ending in "4" are programmed with Unity Pro. Nevertheless, some processors programmed by PL7 can be upgraded for programming with Unity Pro.

Unity Pro is a new software workshop generation that offers additional programming and operation features as compared with PL7:

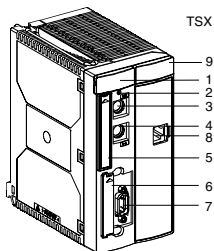
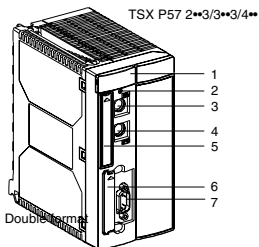
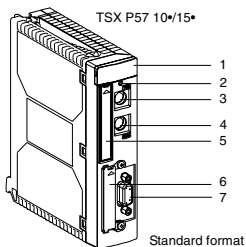
An additional language: function block diagram (FBD).

The possibility of creating embedded structure types (DDTs).

The possibility of embedding DFBs.

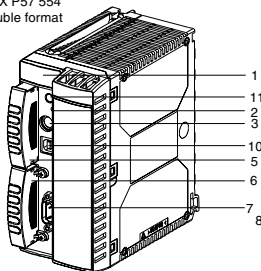
Lastly, it has additional diagnostic services, such as the search for the cause of an error in the program logic.

Physical description

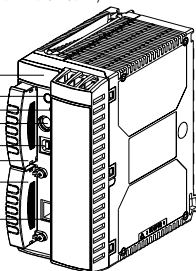


Double format
(with built-in Ethernetlink)

TSX P57 554
double format



TSX P57 5634
double format
(with built-in Ethernetlink)



1 Display block with 4 or 5 LEDs depending on the model:

- RUN, ERR, I/O, TER LEDs on all processors,
- FIP LED on processors with a built-in master FIPIO link (TSX P57 •5• and TSX P57 •8••),
- STS; ACT LEDs, on processors equipped with Ethernet link (TSX P57 •63• and TSX P57 •8••).

2 Pencil-point RESET button used to activate a PLC cold restart.

- Processor operating normally: cold start in STOP or in RUN mode, depending on procedure defined in configuration.
- Processor faulty: forced start in STOP.

3 Terminal port: TER connector (8 pin mini-DIN), for connecting an FTX-type or PC compatible terminal, or for connecting the PLC to a Uni-Telway bus via a TSX P ACC 01 isolation box. This port supplies 5 V power to the peripheral connected to it (providing there is sufficient current from the power supply)

4 Terminal port: AUX connector (8 pin mini-DIN), for attaching to a self-powered peripheral (a terminal, human-machine interface terminal or printer, as this port does not supply power).

5 Slot for a type 1 PCMCIA memory extension card.

! If no memory card is installed, this slot is fitted with a cover which must be left in place; as removing it will cause the PLC to stop.

6 Slot for a type 3 PCMCIA communication card for connecting a Fipway, Fipio Agent, Uni-Telway, serial link, Modbus, Modbus Plus, etc. to the processor.
This slot can also receive a SRAM file storage card (for TSX P57 554/5634 processors)
If no communication card is installed, this slot is fitted with a cover.

7 9 pin SUB-D connector for connecting to a Fipio master bus. This connector is only present on TSX P57 •5•, and TSX P57 •8••.

8 RJ 45 connector for connecting to Ethernet. This connector is only present on TSX P57 ••23, TSX P57 ••34 and TSX P57 554.

9 ETY Display block

- RUN (green), ERR (red), COL (red), STS (amber), TX (amber) and RX (amber).

10 USB Port. It enables the user to connect a programming terminal. This connector is present only on TSX P57 554/5634 processors.

11 Extract command button for PCMCIA card SRAM file storage.

- This button must be pushed down before removing the card. The status of the command is indicated by an LED.

Note: The TER and AUX connectors propose the Uni-Telway master (19 200 bauds) communication mode by default, and the Uni-Telway slave or ASCII character mode by configuration.

Installation / Mounting

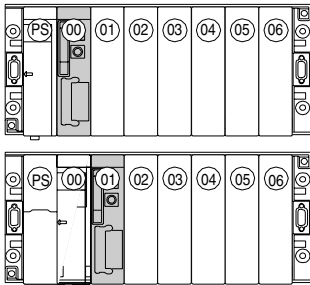
• Installation of a standard format processor module

The standard format TSX P57 processor module can be installed in a TSX RKY ** rack in position 00 or 01 depending on the type of power supply module used (standard format or double format):

-If the rack is fitted with a TSX PSY 1610/2600 standard format power supply module, the processor can be installed in position 00 (by way of preference) or in position 01, in which case position 00 is unavailable.

-If the rack is fitted with a TSX PSY 3610/5500/5520, or 8500 double format power supply module, the processor is installed in position 01.

!The processor module must be mounted on the rack when the rack is POWERED DOWN.



• Installation of a double format processor module

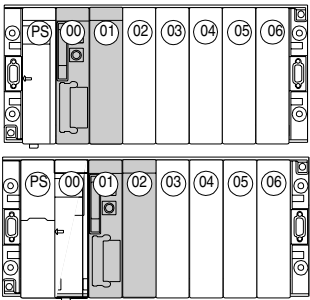
The double format TSX P57 processor module can be installed in a TSX RKY ** rack in position 00 and 01 or 01 and 02 depending on the type of power supply module used (standard format or double format):

-If the rack is fitted with a TSX PSY 1610/2600 standard format power supply module, the processor can be installed in position 00 and 01 (by way of preference) or in position 01 and 02, in which case position 00 is unavailable.

-If the rack is fitted with a TSX PSY 3610/5500/5520, or 8500 double format power supply module, the processor is installed in position 01 and 02.

! The processor module must be mounted on the rack when the rack is POWERED DOWN.

For inserting modules in the rack, refer to the rack installation instructions.



Precautions

! If a TSX 57 processor is being replaced by another processor which has already been programmed and contains an application, the power to all the PLC station control devices must be cut off.

Before restoring the power to the control devices, check that the processor contains the required application.

! Handle the TSXP57 0244/1X4 processors with care, as their radiators operate at a high temperature (85°C).

! For the TSX P57 0244/104/154 processors, the module next to the processor must not have a dissipated power greater than:

10W for an ambient operating temperature of 60°C,

16W for an ambient operating temperature of 25°C.

Otherwise, it will have to be installed in another slot in the rack.

Auxiliary functions

•Terminal port and auxiliary port

Two 8-pin mini-DIN connectors (non-isolated RS 485 link) for connecting the following to these two ports:

- TER: an FTX-type or PC compatible terminal or for connecting the PLC to a UNI-TELWAY bus, via a TSX P ACC 01 isolation box. This port supplies 5 V power to the peripheral connected to it.

- AUX: a human-machine interface terminal or printer. This port does not supply 5 V power.

By default, the "TER" and "AUX" ports offer UNI-TELWAY master communication mode at 19 200 bauds and can be configured for UNI-TELWAY slave mode or ASCII character mode.

These ports use TSX PCX 1031 and TSX PCX 3030 cables.

USB port

1 "B" series connector for connecting a programming terminal.

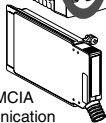
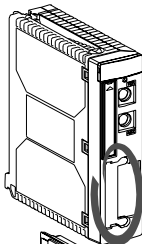
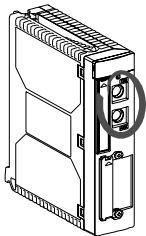
The USB port uses the USB V1.1 protocol at 12 Mbits/s.

The connecting cable is the XCA USB 033 cable.

•Slot for PCMCIA communication card

This slot, on the front panel of the processor, can take a type 3 PCMCIA communication card:

- TSX SCP 111: RS 232 D multiprotocol
- TSX SCP 112: 20 mA current loop multiprotocol
- TSX SCP 114: RS 485 multiprotocol, compatible with isolated RS 422
- TSX MBP 100: Modbus+,
- TSX FPP 10 / 20: FIPIO Agent / FIPWAY,
- TSX FPP 200: FIPWAY,
- FCS SCP 111: specific protocol on RS 232 support,
- FCS SCP 114: specific protocol on RS 485 support,
- TSX CPP 100/110: CAN OPEN.



Carte PCMCIA
de communication

! The processor must always be POWERED DOWN prior to inserting or removing a communication card.

•Internal RAM

This memory takes the application (data, program and constants). Its capacity varies according to the type of processor:

If the size of the application is larger than the RAM, the memory can be extended using a PCMCIA memory extension card. In this case, the program and constants are stored in the PCMCIA memory extension card, and data is stored in the internal RAM.

The internal RAM can be protected using an optional battery (TSX P1P 01), located in the power supply module. **The application is only protected if the power supply and processor modules are kept in the rack.** (See duration of backup of internal RAM.)

(1) When the application is stored in internal RAM, the memory capacity is limited to 96 KWords. When the application is stored in the PCMCIA card, the memory capacity is extended to 176 KWords.

•Slot for PCMCIA memory extension card

This slot, on the front panel of the processor, can take an optional type 1 PCMCIA memory card. **If no card is installed, the cover must be left in place.**

3 families of cards are available:

-**Standard memory cards:** Two types of card are available:

- **Protected RAM** used during the creation and debugging of the application program. The protection is provided by a removable battery integrated in the card.
- **FLASH EPROM** used when the application program is operational (debugging completed).

-**BACKUP type memory card** used for loading the program into the internal RAM, without using a terminal. Such a card needs to be loaded beforehand with the application program which must be < 32 KWords in size.

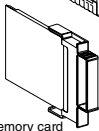
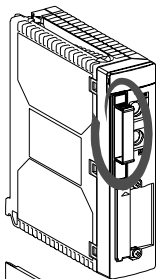
-Application + file type memory cards

As well as the conventional application storage zone, these also have:

- a file zone which can be used to store data by program,
- a zone which can be used to store the application symbols database. This symbols database is compressed to ensure it remains within the allocated zone without restriction. This zone is only available on some cards.

Two types of card are available:

- application extension memory card + protected RAM type file. The memory is protected by a removable battery integrated in the memory card,
- application extension memory card + Flash EPROM type files. In this case, the data storage zone is in protected RAM, which means this type of card must be equipped with a back-up battery.



Memory card

! A memory card can be inserted/removed while the processor is POWERED UP (causes a cold start). To be operational, a memory card must be fitted with a handle. If the program stored in the PCMCIA memory card includes the AUTO RUN option, the processor will automatically start in RUN after the card is inserted.

References of standard PCMCIA memory and backup extension cards backup (PL7 compatible cards):

Ref.	Type	Capacity	TSX P57 processors compatibility			
			P57 1*3	P57 2*3 P57 2*23	P57 3*3 P57 3623	P57 453 P57 4823
TSX MRP 032P	RAM	32 K16	Yes	Yes	Yes	Yes
TSX MRP 064P	RAM	64 K16	Yes	Yes	Yes	Yes
TSX MRP 0128P	RAM	128 K16	No	Yes	Yes	Yes
TSX MRP 0256P	RAM	256 K16	No	Yes	Yes	Yes
TSX MFP 032P	FLASH EPROM	32 K16	Yes	Yes	Yes	Yes
TSX MFP 064P	FLASH EPROM	64 K16	Yes	Yes	Yes	Yes
TSX MFP 0128P	FLASH EPROM	128 K16	No	Yes	Yes	Yes
TSX MFP BAK032P	RAM/Backup	32 K16	Yes	Yes	Yes	Yes

References of standard PCMCIA memory extension cards and backup (Unity Pro compatible cards):

Ref.	Type/Capacity	Data	Maximum memory capacity managed by the processors (K8 = kilo bytes)					
			TSX 57 0244	TSX 57 1*4	TSX 57 2*4	TSX 57 3*4	TSX 57 4*4	TSX 57 5*4
TSX MRPP 128K	RAM/128K8	0	Limited to 128K8	Total	Total	Total	Total	-
TSX MRPP 224K	RAM/224K8	0	Limited to 128K8	Total	Total	Total	Total	-
TSX MRPP 384K	RAM/384K8	0	Limited to 128K8	Limited to 224K8	Total	Total	Total	-
TSX MFPP 128K	FLASH EPROM/ 128K8	0	Limited to 128K8	Total	Total	Total	Total	-

TSX MFPP 224K	FLASH EPROM / 224K8	0	Limited to 128K8	Total	Total	Total	Total	-
TSX MFPP 384K	FLASH EPROM/ 384K8	0	Limited to 128K8	Limited to 224K8	Total	Total	Total	-
TSX MFPP 512K	FLASH EPROM/ 512K8	0	Limited to 128K8	Limited to 224K8	Total	Total	Total	Total
TSX MFPP 001M	FLASH EPROM/ 1024K8	0	Limited to 128K8	Limited to 224K8	Limited to 768K8	Total	Total	Total
TSX MFPP 002M	FLASH EPROM/ 2048K8	0	-	Limited to 224K8	Limited to 768K8	Total	Total	Total
TSX MFPP 004M	FLASH EPROM/ 4096K8	0	-	Limited to 768K8	Limited to 1792K8	Limited to 2048K8	Total	Total
TSX MFP B 096K	RAM/Backup	96 K8	Limited to 96K8	Total	Total	Total	Total	Total

Note: All the PCMCIA cards can be inserted into any processor excepting the TSX P57 554/5634 processors, which are not able to take the small capacity TSX MRPP128/224/384K and TSX MFPP128/224/384K cards.

The usable application capacity is limited to the processor specifications.

References of application + file or symbol memory cards (PL7 compatible cards):

References	Type / Capacity			Compatibility with TSX P57 processors			
	Application	Data (RAM)	Symbol (RAM)	P57 1*3	P57 2*3 P57 2*23	P57 3*3 P57 3623	P57 453 P57 4823
TSX MRP 232P	RAM/32 K16	128 K16	-	Yes	Yes	Yes	Yes
TSX MRP 264P	RAM/64 K16	128 K16	-	Yes	Yes	Yes	Yes
TSX MRP 2128P	RAM/128 K16	128 K16	128 K16	No	Yes	Yes	Yes
TSX MRP 3256P	RAM/256 K16	640 K16	128 K16	No	Yes	Yes	Yes
TSX MRP 3384P	RAM/384 K16	640 K16	-	No	Yes	Yes	Yes
TSX MRP 0512P	RAM/512 K16	-	256 K16	No	Yes	Yes	Yes
TSXMRPC007M	RAM/960K16	384 K16	640 K16	No	No	No	Yes (*)
TSX MFP 232P	FLASH/EPROM 32K16	128 K16	-	Yes	Yes	Yes	Yes
TSX MFP 232P	FLASH/EPROM 32 K16	128 K16	-	Yes	Yes	Yes	Yes

(*) Reserved use

! For the TSX MRPC 007M, the 960K16 application area is divided into 2*480K16:

- ! 480K16 for the executable code,
- ! 480K16 for comments and graphic information.

References of application + file type memory extension cards (Unity Pro compatible cards):

Ref.	Type	Capacity		Maximum memory capacity managed by the processors (K8 = kilo bytes) (1)					
	Type	Appl.	Zone Data	TSX 57 0244	TSX 57 1*4	TSX 57 2*4	TSX 57 3*4	TSX 57 4*4	TSX 57 5*4
TSX MRPC 448K (2)	RAM	448K8	448K8	-	Limited to 224/256K	Total	Total	Total	-
		96 to 448K8	0 to 352K8						
TSX MRPC 768K (2)	RAM	768K8	768K8	-	Limited to 224/256K	Total	Total	Total	Total
		192 to 768K8	0 to 576K8						
TSX MRPC 001M (2)	RAM	1024K8	1024K8	-	Limited to 224/256K	Limited to 768/832K	Total	Total	Total
		192 to 1024K8	0 to 832K8						
TSX MRPC 001M7 (2)	RAM	1024K8	1024K8	-	Limited to 224/256K	Limited to 768/832K	Total	Total	Total
		192 to 1024K8	0 to 832K8						
TSX MRPC 002M (2)	RAM	2048K8	2048K8	-	Limited to 224/256K	Limited to 768/2880K	Limited to 1792/2880K	Total	Total
		192 to 2048K8	0 to 1856K8						
TSX MRPC 003M (2)	RAM	3072K8	3072K8	-	Limited to 224/256K	Limited to 768/2880K	Limited to 1792/2880K	Limited to 2048/2880K	Total
		192 to 3072K8	0 to 2880K8						
TSX MRPC 007M (2)	RAM	7168K8	7168K8	-	Limited to 224/256K	Limited to 768/2880K	Limited to 1792/2880K	Limited to 2048/6976K	Limited to 4096/6976K
		192 to 7168K8	0 to 6976K8						
TSX MCPC 224K	Flash EPROM	224K8	256K8	Limited to 128/256K	Total	Total	Total	Total	-
TSX MCPC 512K	Flash EPROM	512K8	512K8	Limited to 128/256K	Limited to 224/256K	Total	Total	Total	Total
TSX MCPC 002M	Flash EPROM	2048K8	1024K8	Limited to 128/256K	Limited to 224/256K	Limited to 768/1024K	Limited to 1792/1024K	Total	Total

(1) Notation of limits: the first number indicates the application zone limit and the second indicates the Data zone limit, e.g.: limited to 224/256K means the application zone is limited to 224K8 and the Data zone to 256K8.

(2) PCMCIA with application and file storage zones of variable rather than fixed capacity.

All the PCMCIA cards can be inserted into any processor excepting the TSX P57 554/5634 processors, which are not able to take the small capacity TSX MCPC 224K and TSX MRPC 448K cards. The usable application capacity is limited to the processor specifications

References of file memory cards

References	Type / Capacity	Compatibility with TSX P57 processors		
	File zone (RAM)	P57 2•3 P57 2•23	P57 3•3 P57 3623	P57 453 P57 4823
TSX MRP DS 2048 P	2048 K16	Yes	Yes	Yes

References of data or file without application type extension memory cards

Ref.	Type	Capacity		Maximum memory capacity managed by the processors (K8 = kilo octets)				
	Type	Appli.	Data Zone (RAM)	TSX 57 0244/1•4	TSX 57 2•4	TSX 57 3•4	TSX 57 4•4	TSX 57 5•4
TSX MRPF 004M	RAM	0	4096K8	-	4096K8	4096K8	4096K8	4096K8
TSX MRPF 008M	RAM	0	8192K8	-	8192K8	8192K8	8192K8	8192K8

All the PCMCIA cards can be inserted into any processor excepting the TSX P57 0244 and 1•4

•RESET button

Pressing this pencil point pushbutton triggers a cold start of the application:

- processor operating normally: start in STOP or in RUN depending on the configuration,
- processor faulty: forced start in STOP.

•RUN / STOP function

This is used to start or stop the application program from a programming terminal or a discrete input defined during configuration. A STOP command from this physical input takes priority over a RUN command from a terminal.

•Realtime clock

The realtime clock built into the processor manages the current date and time and the date and time of the last application stop. This continues even when the processor is powered down, as long as it is mounted on the rack with the power supply module, and fitted with a backup battery.

! Removing the processor will mean the date and time will be lost after a certain amount of time.

•Duration of backup of internal RAM and realtime clock

-Duration of battery backup

Ambient temperature when not operating		≤ 30 °C	40 °C	50 °C	60 °C
Backup time	PLC switched off 12 hours/day	5 yrs	3 yrs	2 yrs	1 year
	PLC switched off 1 hour/day	5 yrs	5 yrs	4.5 yrs	4 yrs

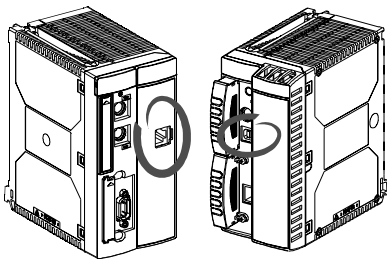
-Standby backup while the battery is being changed (PLC powered down) or the processor or power supply module is being removed. Intervention time is limited; after a certain length of time the data in the RAM memory may be lost.

Ambient temperature when switched off	20 °C	30 °C	40 °C	50 °C
Backup time	2h	45mn	20mn	8mn

•Ethernet link on TSX P57 ••23

Some processors have a built-in Ethernet link, making it possible to manage 64 TCP connections using the port 502 messaging service, and to scan up to a maximum of 64 devices using the IO Scanning service.

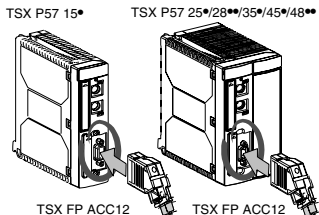
A RJ45 port located on the second part of the module can be used to connect it to the Ethernet network.



•Master FIPIO link on TSX P57 •53 and TSX P57 •823 processors

Some processors have a built-in master FIPIO link which is used to manage a FIPIO bus on which 1 to 127 devices can be connected, such as:

- Momentum and TBX remote I/O modules (discrete and analog),
- CCX 17 operator consoles,
- ATV58 variable speed drives
- Devices which conform to standard profiles, etc.



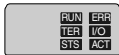
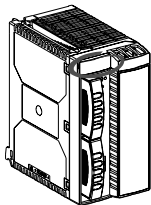
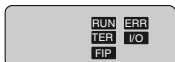
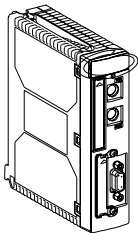
A 9-pin SUB D connector on the front panel is used for connecting to the FIPIO bus via a TSX FP ACC12 connector.

Note: The complete installation of the FIPIO bus (type of architecture, type of cable to use, wiring accessories, etc) is described in the FIPIO bus reference manual.

Diagnostics using the display LED

4 to 7 LEDs (depending on the type of processor) located on the front panel can be used to rapidly diagnose the state of the PLC:

- **RUN** (green): state of the application (**on**: normal operation; **flashing**: PLC stopped or has a blocking software fault; **off**: PLC not configured, application missing, not valid or incompatible with the type of processor, PLC fault or processor or system fault),
- **ERR** (red): processor or memory card or PCMCIA communication card faults (**on**: PLC fault, processor fault or system fault; **flashing**: PLC not configured, application missing, not valid or incompatible with the type of processor, PLC blocking software fault, memory card battery fault, X Bus fault (1); **off**: normal operation),
- **I/O** (red): I/O faults (**on**: I/O fault, from a module or a channel or configuration fault, **flashing**: X Bus fault (1); **off**: normal operation),
- **TER** (amber): this indicates activity on the terminal port (**flashing**: exchange in progress on the terminal port),
- **FIP** (amber): only on TSX P57 •5• and TSX P57 •8•• processors. This indicates activity on the FIPIO bus (**flashing**: exchanges in progress on the FIPIO bus).
- **STS** (amber) : only on TSX P57 5634 processors.
- **ACT** (amber) : only on TSX P57 5634 processors.



(1) A X Bus fault is indicated by simultaneous flashing of the ERR and I/O indicator lamps

Characteristics

•General characteristics of TSX 57 processor “PL7 compatible”

Processors TSX P57	103	153	203/ 2623	253/ 2823
Maximum characteristics for the station				
TSX RKY 12EX racks	2	2	8	8
TSX RKY 4EX/6EX/8EX rack	4	4	16	16
Module slots (1)	21[27]	21[27]	87[111]	87[111]
In-rack discrete I/O on X Bus	512	512	1024	1024
Analog I/O on X Bus	24	24	80	80
Application-specific channels on X Bus (2)	8	8	24	24
Number of process control loops	0	0	30	30
Number of process control channels	0	0	10	10
UNI-TELWAY connection (terminal port)	1	1	1	1
Network connection (3) (FIPWAY, ETHWAY/TCP/IP, Modbus +, Ethernet)	1	1	1	1
Built-in master FIPIO connection	-	63	-	127
Third party fieldbus connection (INTERBUS-S, etc.) (4)	0	0	1	1
AS-i fieldbus connection	2	2	4	4
Functions				
Realtime clock (can be backed up)	Yes	Yes	Yes	Yes
Memory				
Internal RAM (5) (K16)	32	32	48	64
Extended memory (maximum) (K16)	64	64	160	160
Maximum memory (K16)	96	96	208	224
Application structure				
Master task	1	1	1	1
Fast task	1	1	1	1
Event processing (1 event has priority)	32	32	64	64
Execution time for 1K instructions (6)				
Internal RAM	0.95	0.95	0.28	0.28
PCMCIA card	1.18	1.18	0.40	0.40
Programming software (7)	PL7 Junior/PL7 Pro (Windows NT/2000/XP)			
Languages	Ladder, Grafset, Structured Text, List			

- (1) With standard format modules, except for processor and power supply modules.
21 slots with 2 TSX RKY 12EX racks, 27 slots with 4 TSX RKY 8EX racks,
87 slots with 8 TSX RKY 12EX racks, 111 slots with 16 TSX RKY 8EX racks.
- (2) application-specific channels = counter, axis control, stepper control, communication channels etc. (See definition and numbers of application-specific channels.)
- (3) The built-in Ethernet link on TSX P57 •23 processors is included in the number of network connections.
- (4) INTERBUS-S, PROFIBUS-DP.
- (5) Can be backed up by a battery located in the power supply module.
- (6) 65% Boolean / 35% Numerical.
- (7) PL7 ≥ V4.3 for TSX P57 •23 processors.

General characteristics of TSX 57 processors "PL7 compatible" (continued)

Processors TSX P57	303/ 3623	353	453/ 4823
Maximum characteristics for the station			
TSX RKY 12EX racks	8	8	8
TSX RKY 4EX/6EX/8EX racks	16	16	16
Module slots (1)	87[111]	87[111]	87[111]
In-rack discrete I/O on X Bus	1024	1024	2048
Analog I/O on X Bus	128	128	256
Application-specific channels on X Bus (2)	32	32	64
Number of process control loops	45	45	60
Number of process control channels	15	15	20
UNI-TELWAY connection (terminal port)	2	2	2
Network connection (3) (FIPWAY, ETHWAY/TCP/IP, Modbus+, Ethernet)	3	3	4
Built-in master FIP/O connection	-	127	127
Third party fieldbus connection (INTERBUS-S, etc.) (4)	2	2	2
AS-i fieldbus connection	8	8	8
Functions			
Realtime clock (can be backed up)	Yes	Yes	Yes
Memory			
Internal RAM (5)	(K16) 64/80	80/96	96/176
Extended memory (maximum)	(K16) 384	384	512
Maximum memory	(K16) 464	480	688
Application structure			
Master task	1	1	1
Fast task	1	1	1
Event processing (1 event has priority)	64	64	64
Execution time for 1K instructions (6)			
Internal RAM	0.21	0.21	0.11
PCMCIA card	0.32	0.32	0.11
Programming software (7)	PL7 Junior/PL7 Pro (on Windows NT/2000/XP)		
Languages	Ladder, Grafcet, Structured Text, List		

- (1) With standard format modules, except for processor and power supply modules. 21 slots with 2 TSX RKY 12EX racks, 27 slots with 4 TSX RKY 8EX racks, 87 slots with 8 TSX RKY 12EX racks, 111 slots with 16 TSX RKY 8EX racks.
- (2) Application-specific channels = counter, axis control, stepper control, communication channels, etc., see definition and numbers of application-specific channels.
- (3) The built-in Ethernet link on TSX P57 •23 processors is included in the number of network connections.
- (4) INTERBUS-S, PROFIBUS-DP.
- (5) Can be backed up by a battery located in the power supply module. On TSX P57 453: if application is stored in internal RAM, memory capacity = 96 KWords; if application is stored in PCMCIA card, internal RAM capacity = 176 KWords.
- (6) 65% Boolean / 35% Numerical.
- (7) PL7 ≥ V4.3 for TSX P57 •23 processors.

General characteristics of TSX 57 processors "Unity Pro compatible" (continued)

TSX P57	0244	104	1634	154	204
Maximum characteristics for the station					
TSX RKY 12EX racks	1	2	2	2	8
TSX RKY 4EX/6EX/8EX Racks	1	4	4	4	16
Module slots (1)	10	21	21	21	87
In-rack discrete I/O on X Bus	256	512	512	512	1024
Analog I/O on X Bus	12	24	24	24	80
Application-specific channels on X Bus (2)	4	8	8	8	24
Number of process control loops	-	-	-	-	30
Number of process control channels	-	-	-	-	10
Uni-Telway connection (terminal port)	1	1	1	1	1
Network connection (3) (FIPWAY, ETHWAY/TCP/IP, Modbus +, Ethernet)	1	1	1	1	1
Master Fipio connection (built-in) No. of devices	-	-	-	63	-
Third party fieldbus connection (INTERBUS-S, ...)	-	-	-	-	1
AS-i fieldbus connection	1	2	2	2	4
Functions					
Realtime clock (can be backed up)	oui	oui	oui	oui	oui
Memory					
Internal RAM (4) (K8)	96	96	96	96	160
PCMCIA card (max.) (K8)	128	224	224	224	768
Application structure					
Master task	1	1	1	1	1
Fast task	1	1	1	1	1
Event processing (1 event has priority)	32	32	32	32	64
Execution speed (Kins/ms)					
Internal RAM (100 % boolean)	4,76	4,76	4,76	4,76	4,76
Internal RAM (65 % boolean + 35% digital)	3,57	3,57	3,57	3,57	3,57
PCMCIA card (100 % boolean)	3,10	3,10	3,10	3,10	3,70
PCMCIA card (65 % boolean + 35% digital)	2,10	2,10	2,10	2,10	2,50
System overhead					
MAST task					
Without using the Fipio bus	1 ms	1 ms	1 ms	1 ms	1 ms
Using the Fipio bus	-	-	-	1 ms	-
FAST task					
	0,30	0,30	0,30	0,30	0,30 ms

- (1) With standard format modules, except for processor and power supply modules.
21 slots with 2 TSX RKY 12EX racks, 27 slots with 4 TSX RKY 8EX racks,
87 slots with 8 TSX RKY 12EX racks, 111 slots with 16 TSX RKY 8EX racks.
- (2) Application-specific channels = counter, axis control, stepper control, communication, etc.
- (3) The built-in Ethernet link on TSX P57 2634/2834/3634/4834/5634 processors is included in the number of network connections.
- (4) Can be backed up by a battery located in the power supply module.

•General characteristics of TSX 57 processors “Unity Pro compatible” (continued)

TSX P57	254	2634	304	354
Maximum characteristics for the station				
TSX RKY 12EX racks	8	8	8	8
TSX RKY 4EX/6EX/8EX racks	16	16	16	16
Module slots (1)	87	87	87	87
In-rack discrete I/O on X Bus	1024	1024	1024	1024
Analog I/O on X Bus	80	80	128	80
Application-specific channels on X Bus (2)	24	24	32	32
Number of process control loops	30	30	45	45
Number of process control channels	10	10	15	15
Uni-Telway connection (terminal port)	1	1	1	1
Network connection (3) (FIPWAY, ETHWAY/TCP/IP, Modbus +, Ethernet)	1	1	3	3
Master Fipio connection (built-in) No. of devices	127	-	-	127
Ethernet connection (built-in)	1	1	-	-
Third party fieldbus connection (INTERBUS-S, ...)	1	1	2	2
AS-i fieldbus connection	8	8	8	8
Functions				
Realtime clock (can be backed up)	yes	yes	yes	yes
Memory				
Internal RAM (4)	(K8)	768	160	192
PCMCIA card (max.)	(K8)		768	1792
Application structure				
Master task	1	1	1	1
Fast task	64	1	1	1
Event processing (1 event has priority)		64	64	64
Execution speed (Kins/ms)				
Internal RAM (100 % boolean)	3,5	4,76	6,67	6,67
Internal RAM (65 % boolean + 35% digital)	70	3,57	4,76	4,76
PCMCIA card (100 % boolean)	2,5	3,70	4,55	4,55
PCMCIA card (65 % boolean + 35% digital)		2,50	3,13	3,13
System overhead				
MAST task	1 ms			
Without using the Fipio bus	1 ms	1 ms	1 ms	1 ms
FAST task	0,35 ms	0,30 ms	0,35 ms	0,35 ms

- (1) With standard format modules, except for processor and power supply modules.
21 slots with 2 TSX RKY 12EX racks, 27 slots with 4 TSX RKY 8EX racks,
87 slots with 8 TSX RKY 12EX racks, 111 slots with 16 TSX RKY 8EX racks.
- (2) Application-specific channels = counter, axis control, stepper control, communication, etc.
- (3) The built-in Ethernet link on TSX P57 2634/2834/3634/4834/5634 processors is included in the number of network connections.
- (4) Can be backed up by a battery located in the power supply module.

General characteristics of TSX 57 processors "Unity Pro compatible" (continued)

TSX P57	3634	454	4634
Maximum characteristics for the station			
TSX RKY 12EX racks	8	8	8
TSX RKY 4EX/6EX/8EX racks	16	16	16
Module slots (1)	87	87	87
In-rack discrete I/O on X Bus	1024	2048	2048
Analog I/O on X Bus	128	256	256
Application-specific channels on X Bus (2)	32	48	64
Number of process control loops	45	60	60
Number of process control channels	15	20	20
Uni-Telway connection (terminal port)	1	1	1
Network connection (3) (FIPWAY, ETHWAY/TCP/IP, Modbus +, Ethernet)	3	4	4
Master Fipio connection (built-in) No. of devices	-	127	-
Ethernet connection (built-in)	1	-	1
Third party fieldbus connection (INTERBUS-S, ...)	3	4	4
AS-i fieldbus connection	8	8	8
Functions			
Realtime clock (can be backed up)	yes	yes	yes
Memory			
Internal RAM (4) (K8)	192	320	320/440 (5)
PCMCIA card (max.) (K8)	1792	2048	2048
Application structure			
Master task	1	1	1
Fast task	1	1	1
Event processing (1 event has priority)	64	64	64
Execution speed (Kins/ms)			
Internal RAM (100 % boolean)	6,67	15,5	15,5
Internal RAM (65 % boolean + 35% digital)	4,76	11,4	11,4
PCMCIA card (100 % boolean)	4,55	15,5	15,5
PCMCIA card (65 % boolean + 35% digital)	3,13	11,4	11,4
System overhead			
MAST task			
Without using the Fipio bus	1 ms	1 ms	1 ms
FAST task	0,35 ms	0,08 ms	0,08 ms

(1) With standard format modules, except for processor and power supply modules.

21 slots with 2 TSX RKY 12EX racks, 27 slots with 4 TSX RKY 8EX racks,
87 slots with 8 TSX RKY 12EX racks, 111 slots with 16 TSX RKY 8EX racks.

(2) Application-specific channels = counter, axis control, stepper control, communication, etc.

(3) The built-in Ethernet link on TSX P57 2634/2834/3634/4834/5634 processors is included in the number of network connections.

(4) Can be backed up by a battery located in the power supply module.

(5) 1= figure when the application is in internal RAM, 2= figure when the application is in card memory.

• General characteristics of TSX 57 processors “Unity Pro compatible” (continued)

TSX P57	554	5634
Maximum characteristics for the station		
TSX RKY 12EX racks	8	8
TSX RKY 4EX/6EX/8EX racks	16	16
Module slots (1)	87	87
In-rack discrete I/O on X Bus	2040	2040
Analog I/O on X Bus	512	512
Application-specific channels on X Bus (2)	64	64
Number of process control loops	90	90
Number of process control channels	30	30
Uni-Telway connection (terminal port)	1	1
Network connection (3) (FIPWAY, ETHWAY/TCP/IP, Modbus +, Ethernet)	4	5
Master Fipio connection (built-in) No. of devices	127	-
Ethernet connection (built-in)	-	1
Third party fieldbus connection (INTERBUS-S, ...)	2	2
AS-i fieldbus connection	8	8
Functions		
Realtime clock (can be backed up)	yes	yes
Memory		
Internal RAM (4) (K8)	640/896 (5)	640/896 (5)
PCMCIA card (max.) (K8)	4096	4096
Application structure		
Master task	1	1
Fast task	1	1
Auxiliary task	4	4
Event processing (1 event has priority)	128	128
Execution speed (Kins/ms)		
Internal RAM (100 % boolean)	19,80	19,80
Internal RAM (65 % boolean + 35% digital)	14,20	14,20
PCMCIA card (100 % boolean)	19,80	19,80
PCMCIA card (65 % boolean + 35% digital)	14,20	14,20
System overhead		
MAST task	1 ms	1 ms
FAST task	0,07 ms	0,07 ms

- (1) With standard format modules, except for processor and power supply modules.
21 slots with 2 TSX RKY 12EX racks, 27 slots with 4 TSX RKY 8EX racks,
87 slots with 8 TSX RKY 12EX racks, 111 slots with 16 TSX RKY 8EX racks.
- (2) Application-specific channels = counter, axis control, stepper control, communication, etc.
- (3) The built-in Ethernet link on TSX P57 2634/2834/3634/4834/5634 processors is included in the number of network connections.
- (4) Can be backed up by a battery located in the power supply module.
- (5) 1st figure when the application is in internal RAM, 2nd figure when the application is in card memory.

•Electrical characteristics

Processors	5 VDC consumption of power supply module TSX PSY •		Dissipated power	
	Typical	Maximum	Typical	Maximum
TSX P57 0244	750	1050	3.7	5.2
TSX P57 10 •	750	1050	3.7	5.2
TSX P57 16 • •	1550	1160	4.1	5.8
TSX P57 15 •	830	2170	7.7	10.8
TSX P57 20 •	750	1050	3.7	5.2
TSX P57 26 ••	1550	1160	4,1	5.8
TSX P57 25 •	830	2170	7.7	10.8
TSX P57 30 •	1000	1400	5	7
TSX P57 36 ••	1800	1510	5.4	7.5
TSX P57 35 •	1080	2520	9	12.6
TSX P57 45 •	1580	2210	7.9	11
TSX P57 46 ••	1780	2490	8.9	12.5
TSX P57 554	1580	2210	7.9	11
TSX P57 5634	1780 mA	2490 mA	8.9 W	12.5W

•Number of different application-specific channels

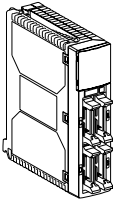
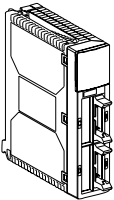
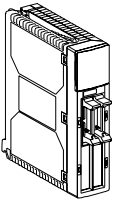
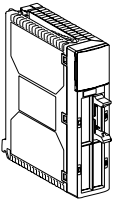
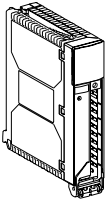
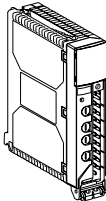
Application		Module/card	App-spec. channel	Number
Counting		TSX CTY 2A	Yes	2
		TSX CTY 2C	Yes	2
		TSX CTY 4A	Yes	4
		TSX CCY 1128	Yes	1
Motion control	Axis	TSX CAY 21/22	Yes	2
		TSX CAY 41/ 42	Yes	4
		TSX CAY 33	Yes	3
		TSX CAY 84	Yes	32 (1)
	Step by step	TSX CFY 11	Yes	1
		TSX CFY 21	Yes	2
Weighing		TSX ISP Y100/101	Yes	2
Communication	Serial link	TSX SCP 11•• (in processor)	No	0 (2)
		TSX SCP 11•• (in TSX SCY 21601)	Yes	1
		TSX JNP 11•• (in TSX SCY 21601)	Yes	1
		TSX SCY 21601 (built-in channel)	Yes	1
	FIPIO Agent	TSX FPP10 (in processor)	No	0 (2)
	FIPIO Master	built into processor	No	0 (2)
	Modem	TSX MDM10	Yes	1

Note: Only the configured application-specific channels must be included.

(1) 1 channel minimum.

(2) Channels not to be included when calculating the maximum number of application-specific channels supported by the processor.

Presentation

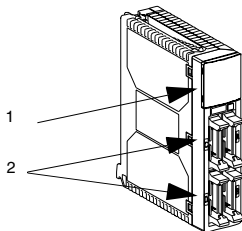
Modularity	64 I or 64 O	32 I or 32 O	32 I or 28 I/O	16 I
Connection HE 10 connectors				
Connection Screw terminal blocks (Terminal blocks not shown)			8/16 I or 8/16 I/O	8 or 16 O
				

Physical description

Modules with HE 10 connectors

1 Display block

2 HE10 connectors protected by a cover. They enable connection of the sensors and preactuators either directly via preformed cables, or via TELEFAST 2 connection sub-bases..



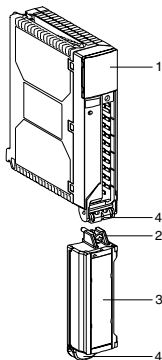
Modules with connection via screw terminal block

- 1 Display block.
- 2 Removable screw terminal block for direct connection of the sensors and preactuators.
- 3 Door providing access to screw terminals and also acting as a reference label holder.
- 4 Module locating device.

⚠ The terminal block is supplied separately, under the reference TSX BLY 01.

This removable label is supplied with the module, to be placed inside the door (3). Printed on both sides, it displays the following information :

- door closed : module reference and type of channel. In the space provided, the user enters the module address and channel symbols,
- door open : wiring of inputs and/or outputs, with channel numbers and connection terminal numbers..



Catalog summary

TSX DEY .. input modules

Reference	Modularity	Connect.	Voltage	Isolation	Logic	Filtering	IEC 1131
DEY 08 D2	8 (1)	Bornier	24 VCC	Yes	Positive	4 ms	Type 2
DEY 16 D2	16 (1)	Bornier	24 VCC	Yes	Positive	4 ms	Type 2
DEY 16 D3	16 (1)	Bornier	48VCC	Yes	Positive	4 ms	Type 2
DEY 16 A2	16 (2)	Bornier	24 VCC	Yes	Négative	10 ms	-
			24 VCA	Yes	-	50/60 Hz	Type 2
DEY 16 A3	16 (2)	Bornier	48 VCA	Yes	-	50/60 Hz	Type 2
DEY 16 A4	16 (2)	Bornier	115 VCA	Yes	-	50/60 Hz	Type 2
DEY 16 A5	16 (2)	Bornier	230 VCA	Yes	-	50/60 Hz	Type 1
DEY 16 FK	16 (3)	HE 10	24 VCC	Yes	Positive	0,1..7,5 ms	Type 1
DEY 32 D2K	32 (3)	HE 10	24 VCC	Yes	Positive	4 ms	Type 1
DEY 32 D3K	32 (1)	HE 10	48VCC	Yes	Positive	4 ms	Type 2
DEY 64 D2K	64 (3)	HE 10	24 VCC	Yes	Positive	4 ms	Type 1

- (1) 2 and 3-wire proximity sensor compatibility IEC 947-5-2
- (2) 2-wire proximity sensor compatibility IEC 947-5-2 AC
- (3) Telemecanique 2 and 3-wire proximity sensor compatibility

TSX DSY .. output modules

Reference (5)	Modularity	Connect.	Voltage	Current	Logic	Protection	Response time
DSY 08 T2	8 (T)	Ter. block	24 VCC	0,5 A	Positive	Yes (1)	1,2 ms
DSY 08 T22	8 (T)	Ter. block	24 VCC	2 A	Positive	Yes (1)	0,2 ms
DSY 08 T31	8 (T)	Ter. block	48VCC	1 A	Positive	Yes (1)	0,2 ms
DSY 16 T2	16 (T)	Ter. block	24 VCA	0,5 A	Positive	Yes (1)	1,2 ms
DSY 16 T3	16 (T)	Ter. block	48VCA	0,5 A	Positive	Yes (1)	1,2 ms
DSY 08 R5 (3)	8 (R)	Ter. block	24 VCC 24...240 VCA	3 A	-	No	0→ 1<8ms 1→ 0<10ms
DSY 08 R4D (3)	8 (R)	Ter. block	24...110 VCC	5 A	-	Yes (2)	0→ 1<10ms 1→ 0<15ms
DSY 08 R5A (3)	8 (R)	Ter. block	24...48 VCC 24...240 VCA	5 A	-	Yes (2)	
DSY 16 R5 (3)	16 (R)	Ter. block	24 VCC 24...240 VCA	3 A	-	No	
DSY 08 S5 (3) (4)	8 (S)	Ter. block	48...220 VCA	2 A	-	Yes (2)	0→ 1<10ms 1→ 0<10ms
DSY 16 S4 (3) (4)	16 (S)	Ter. block	24...110 VCA	1 A	-	No	
DSY 16 S5	16 (S)	Ter. block	48...220 VCA	1 A	-	Yes (2)	
DSY 32 T2K	32 (T)	HE 10	24 VCC	0,1 A	Positive	Yes (1)	1,2 ms
DSY 64 T2K	64 (T)	HE 10	24 VCC	0,1 A	Positive	Yes (1)	1,2 ms

(1) Outputs have an integrated device for protection against short-circuits and overloads. Modules are protected against polarity inversions.

(2) Outputs are protected by interchangeable fuses, accessed via the module front panel.

(3) A device automatically cuts off the outputs when the terminal block is unlocked.

(4) The output fallback can be configured for all modules, with the exception of triac output modules.

(5) All outputs are isolated.

(T) Transistor outputs

(R) Relay outputs

(S) Triac outputs

TSX DMY 28FK/28RFK mixed I/O module

Modularity	Connect.	Voltage	Current	Logic	Protection	Filtering	Response time	IEC1131
16 inputs	HE 10	24 VCC	-	Positive	-	0,1..7,5 ms	-	Type 1
12 outputs (T)	HE 10	24 VCC	0,5 A	Positive	Yes	-	0,5 ms	Yes

Note : Outputs have an integrated device for protection against short-circuits and overloads. Modules are protected against polarity inversions.

All inputs and outputs are isolated.

(T) Transistor outputs

Installation / Mounting

Discrete I/O modules can be positioned anywhere on a TSX RKY ... rack.

For inserting modules in the rack, refer to the rack installation instructions.

⚠ Modules can be inserted in and removed from the rack when the rack is powered up; however, the sensor and preactuator supply must be off and the terminal block disconnected.

Functions

Current generator inputs

24 VDC and 48 VDC inputs are "current generator" type. Although the input voltage may be higher than 11 V (for 24 VDC inputs) or 20 V (for 48 VDC inputs), the input current is constant.

Protecting DC solid state outputs

All protected solid state outputs have a device which detects the appearance of an overload or a short-circuit when an output is active. Any such fault deactivates the output (tripping) and the fault is signalled (the indicator lamp of the faulty channel flashes and the processor I/O indicator lights up). To use an output after tripping, it must be reactivated.

Reactivating outputs

Reactivation of a tripped output can be automatic or controlled depending on the option selected during configuration. Reactivation is required for solid state DC outputs or for relay and triac outputs protected by interchangeable fuses. It is performed on groups of 8 channels, but has no effect on channels which have not been activated or are not faulty.

- If reactivation is automatic, it is executed every 10 s by the module, until the fault disappears, enabling it to be taken into account.
- If reactivation is controlled by the application program or via an operator terminal, it will be taken into account if the fault has disappeared. The minimum time between two reactivations is 10 s.

Output fallback

On a blocking fault, all module outputs are set to a state determined by the user during configuration: maintain state, fallback to 0 or fallback to 1.

Sharing I/O

Each module is split functionally into groups of 8 channels which may be assigned to the various application tasks (for example, for a module with 16 channels, channels 0 to 7 can be assigned to the MAST task and channels 8 to 15 to the FAST task).

Channels of the same group have common operating modes and function management (fallback and reactivation of outputs).

Programmable input filtering

TSX DEY 16FK and TSX DMY 28FK/28RFK modules configure the input filter time between 0 and 7.5 ms (4 ms by default).

⚠ To avoid taking account of bounce when mechanical contacts are closed, it is advisable to use a filter time greater than 3 ms.

Latching

By means of latching, TSX DEY 16FK and TSX DMY 28 FK modules can use very short pulses which have a shorter duration than the PLC scan time. The change in the input state is taken into account so that it can be processed in the next task scan.

⚠ The time between the arrival of 2 pulses on the same input must be at least equal to the time of 2 PLC scans.

The minimum duration of the pulse should be greater than the filter time configured.

Event management

TSX DEY 16FK and TSX DMY 28FK modules allow up to 16 inputs to be configured, enabling events to be taken into account and processed immediately by the processor (processing on an interrupt).

Monitoring the presence of the terminal block

All terminal block modules have a device which checks that the terminal block is on the module. A fault is signalled if the terminal block is missing or if it is not properly attached to the module.

Monitoring short-circuits and overloads

Solid state output modules have a facility which monitors the state of the load. A short-circuit or overload at one or more outputs causes a fault to appear and the relevant outputs to trip.

Monitoring sensor voltage

All input modules include a facility for monitoring that the sensor and module supply voltage is sufficient to ensure correct operation of the input channels. If this voltage drops below a defined threshold, a fault is signalled.

⚠ The sensor supply must be protected by a 0.5 A fast blow fuse.

Monitoring preactuator voltage

All solid state output modules include a facility for monitoring that the preactuator and module supply voltage is sufficient to ensure correct operation of the output channels. If this voltage falls below a defined threshold, a fault is signalled.

Reflex and timer functions on the TSX DMY 28RFK module

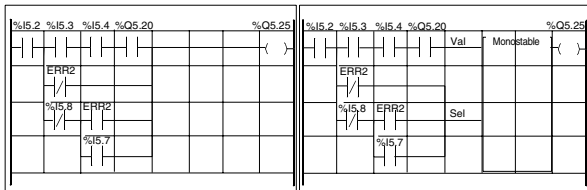
This module can be used to implement applications which require a faster response time than the FAST task or event processing (<500 ms) by means of automation functions executed at module level, independently of the PLC task, and use the following as input variables :

- the physical inputs of the module (%I),
- the output commands of the module (%Q),
- the channel or module fault data,
- the states of the module physical outputs.

These functions are programmed in configuration mode using PL7 Junior or PL7 Pro software V ≥ 3.3. The configuration screen for each output comprises two main parts :

- one part representing a simplified Ladder rung layout comprising 4 lines of 4 contacts which can be used to execute a combinational logic function for the input variables ,
- one part representing the function used which can either be direct control of the output using the configured combinational logic, or a function block.
(see examples overleaf).

Examples



List of the main function blocks :

- on-delay type timer function block,
- off-delay type timer function block,
- on-delay/off-delay type timer function block,
- 2-value timer function block,
- selectable on-delay/off-delay timer function block,
- retriggerable monostable function block,
- time-delayed non-retriggerable monostable function block,
- 2-value monostable function block,
- oscillator function block,
- Dual threshold counter function block,
- single threshold counter with monostable function block,
- interval counter function block used to measure time or length,
- Burst function block used to generate a defined number of oscillator periods,
- PWM function block used to generate a continuous oscillation with a fixed frequency but a variable cyclic ratio,
- slow speed detection function block,
- speed monitoring function block,
- command/control function blocks used to control an action and to check that it has been executed correctly after a certain period of time :
 - type 1 command/control function block : (1 command),
 - type 2 command/control function block : (2 commands : FWD and REV),
- command function block for a number of counting points (simple position control),
- fault indication function block,
- D latch function block, memorization of edge,
- T latch function block, division by 2.

A more detailed description of the various function blocks and their installation using software can be found in the application-specific manual TLX DS 57 PL7 4xE.

Connection equipment and wiring rule

Wiring rules

•External power supplies for sensors and preactuators

These power supplies must be protected against shorts-circuits and overloads, by **fast blow fuses**.

⚠ If the 24 VDC installation does not conform to SELV (Safety Extra Low Voltage) standards, the 0 V of the power supply must be connected to the protective ground, which should be taken to ground as near as possible to the power supply unit.

•Inputs

The use of a TSX DEY 16FK/DMY 28FK fast input module requires the input filter time to be adapted to the desired function : use of sensors with mechanical contact outputs requires a filter time of ≥ 3 ms. In order to achieve faster operation, use DC inputs and sensors which have a response time less than that of AC inputs.

•Outputs

For high currents, it is advisable to segment the terminal connections by protecting each one with a fast blow fuse.

Use wire of a sufficient cross section to avoid voltage drops and temperature rises.

•Cable routing

In order to limit the AC coupling, separate the power cables (power supply, power contactors, etc) and input (sensors) and output (preactuators) cables.

Connection of modules with screw terminal block

Each terminal can accept bare wires or wires fitted with cable ends, or open lugs.

•minimum :

1 wire, 0.2 mm² (AWG 24) without cable end.

•maximum : 1 wire, 2 mm² without cable end or
1 wire, 1.5 mm² with cable end



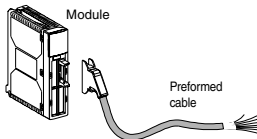
Connection of modules with HE10 connectors

•20-wire preformed cable, 22 gauge (0.34 mm²)

Used for wire-to-wire connection of I/O to sensors, preactuators or connection terminals.

There are 2 product references : **TSX CDP 301** (3 meters) and **TSX CDP 501** (5 meters).

Terminal / Wire	Terminal / Wire
1 white	2 brown
3 gree	4 yellow
5 gray	6 pink
7 blue	8 red
9 black	10 purple
11gray-pink	12 red-blue
13 white-green	14 brown-green
15 white-yellow	16 yellow-brown
17 white-gray	18 gray-brown
19 white-pink	20 pink-brown



•**Preformed stranded connection cable with sheath, 28 gauge (0.08 mm²)**

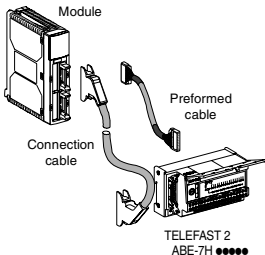
Used to connect I/O to TELEFAST 2 rapid wiring connection and adaptation interfaces. Bearing in mind the small cross section of the wires, it is recommended that the connection cable is only used for low current inputs or outputs (≤ 100 mA).

There are 3 product references :

TSX CDP 102 (1 meter), **TSX CDP 202** (2 meters) and **TSX CDP 302** (3 meters).

•**Connection cable, 22 gauge (0.34 mm²)**

Used to connect I/O to TELEFAST 2 rapid wiring connection and adaptation interfaces. The wire cross section (0.34 mm²) enables higher currents to be carried than when de using the preformed connection cable (≤ 500 mA).



There are 5 product references : **TSX CDP 053** (0.5 meters), **TSX CDP 103** (1 meter), **TSX CDP 203** (2 meters), **TSX CDP 303** (3 meters) and **TSX CDP 503** (5 meters).

Maximum tightening torques :

- on screw for fixing the module on the rack : 2.0 N.m
- on screw for TSX BLY 01 connection terminal block : 0.8 N.m
- on screw for TSX CDP • cable connectors : 0.5 N.m

Characteristics of input modules with terminal blocks

DC inputs			08D2/16	16D3	16A2
TSX DEY module reference					
Nominal input values		Voltage	24	48	24
		Current	7	7	16
Input limit values	at state 1	Voltage	≥ 11 V	≥ 30 V	≤ U _{al} - 14 V
		Current	≥ 6,5 (U = 11 V)	≥ 6,5 (U = 30 V)	≥ 6,5
	at state 0	Voltage	≤ 5	≤ 10	≥ U _{al} - 5
		Current	≤ 2	≤ 2	≤ 2
Sensor supply (ripple included)			19...30 V (1)	38...60 V	19...30 V (1)
Input impedance (at U nominal)			4 kΩ	7 kΩ	1,6 kΩ
Logic			positive	positive	positive
IEC 1131-2 conformity			Type 2	Type 2	Type 2
Type of input			current sink	current sink	resistive
Paralleling of inputs			Yes	Yes	Yes
Compatibility 2-wire/3-wire prox. sensor			IEC 947-5-2	IEC 947-5-2	IEC 947-5-2
Sensor voltage monitoring threshold		Ok	> 18 V	> 36 V	> 18 V
		Fault	< 14 V	< 24 V	< 14 V
Dielectric strength (50/60 Hz, 1 min)			1500 V rms	1500 V rms	1500 V rms
Consumption (2)		5 V typical	55 / 80 mA	80 mA	80 mA
		typ. sensor supply	25+(Nx 7)	25+(Nx 7)	15+(Nx 15)
Dissipated power (2)			1+(Nx 0,15)	1+(Nx 0,3)	1+(Nx 0,4)

AC inputs			16A2	16A3	16A4	16A5
TSX DEY module reference						
Nominal input values		Voltage	24	48	100...120	200...240
		Current	15	16	12	15
Input limit values	at state 1	Voltage	10	29	74	129
		Current	6 (U = 10 V)	6 (U = 29 V)	6 (U = 74 V)	6 (U = 159 V)
	at state 0	Voltage	5	10	20	40
		Current	3 mA	4 mA	4 mA	4 mA
Sensor supply			20...26 V	40...52 V	85...132 V	170...264 V
Input impedance			1,6 kΩ	3,2 kΩ	9,2 kΩ	20 kΩ
IEC 1131-2 conformity			Type 2	Type 2	Type 2	Type 1
Type of input			resistive	resistive	resistive	resistive
Paralleling of inputs			Yes	Yes	Yes	Yes
Compatibility 2-wire/3-wire prox. sensor			IEC 947-5-2	IEC 947-5-2	IEC 947-5-2	IEC 947-5-2
Sensor voltage monitoring threshold		Ok	> 18 V	> 36 V	> 82 V	> 164 V
		Fault	< 14 V	< 24 V	< 40 V	< 80 V
Dielectric strength (50/60 Hz, 1 min)			1500 V rms	1500 V rms	1500 V rms	1500 V rms
Consumption		5 V typical	80 mA	80 mA	80 mA	80 mA
		typ. sensor supply (mA)	15+(Nx 15)	16+(Nx 16)	15+(Nx 15)	12+(Nx 12)
Power dissipated per channel (2)			1+(Nx 0,35)	1+(Nx 0,35)	1+(Nx 0,35)	1+(Nx 0,4)

(1) up to 34 V (1 h / 24 h)

(2) N = number of channels at 1

Characteristics of input modules with connector(s)

TSX DEY module reference		16FK	32D2K	64D2K	32D3K	
Nominal input values		Voltage	24	24	24	48
		Current	3,5	3,5	3,5	7
Input limit values	at state 1	Voltage	≥ 11 V	≥ 11 V	≥ 11 V	≥ 30 V
		Current	3	3	3	6,5 (U = 30 V)
	at state 0	Voltage	≤ 5	≤ 5	≤ 5	≤ 10
		Current	1,5 mA	1,5 mA	1,5 mA	2 mA
	Sensor supply(ripple included)		19...30 V (1)	19...30 V (1)	19...30 V (1)	38...60 V
Input impedance (at U nominal)		6,3 kΩ	6,3 kΩ	6,3 kΩ	6,3 kΩ	
Logique		positive	positive	positive	resistive	
Type of input		current sink	current sink	current sink	current sink	
IEC 1131-2 conformity		Type 1	Type 1	Type 1	Type 2	
Paralleling of inputs		Yes	No	No	Yes	
Compatibility 2-wire/3-wire prox. sensor		Yes	Yes	Yes	Yes	
Sensor voltage monitoring threshold		Ok	> 18 V	> 18 V	> 18 V	> 36 V
		Fault	< 14 V	< 14 V	< 14 V	< 24 V
Dielectric strength (50/60 Hz, 1 min)		1500 V rms	1500 V rms	1500 V rms	1500 V rms	
Consumption (2)		5 V typical	250 mA	135 mA	155 mA	300 mA
		24 V typ. sensor	20+(Nx 3,4)	30+(Nx 3,5)	60+(Nx 3,5)	50+(Nx 7)
Dissipated power(2) (W)		1,2+(Nx 0,1)	1+(Nx 0,1)	1,5+(Nx 0,1)	2,5+(Nx 0,34)	

(1) up to 34 V (1 h / 24 h)

(2) N = number of channels at 1

Characteristics of output modules with terminal block

DC solid state outputs (positive logic)

TSX DSY module reference		08T2 / 16T2	08T22	08T31	16T3	
Nominal values	Voltage	24 VCC/0,5A	24VCC	48VCC	48VCC	
	Current	0,5A	2A	1A	0,25A	
Limit values (pour (for U ≤ 30 or 34 V, ripple included)	Voltage	19...30V(1)	19...30V(1)	38...60V	38...60V	
	Curr. / chan.	0,625A	2,5A	1,25A	0,31A	
	Curr./module	4A /7A	14A	7A	4A	
Tungsten filament lamp power		6W	10W	10W	6W	
Leakage current		at state 0	<0,5mA	<1mA	<1mA	<0,5mA
Residual voltage		at state 1	<1,2V	<0,5V	<1V	<1,5V
Min load impedance			48Ω	12Ω	48Ω	192Ω
Response time			1,2ms	200μs	300μs	1,2ms
Preactuator voltage monitoring threshold	Ok		> 18 V	> 16 V	> 36 V	> 36 V
	Fault		< 14 V	< 14 V	< 24 V	< 24 V
Dielectric strength (50/60 Hz, 1 min)			1500 V rms	1500 V rms	1500 V rms	1500 V rms
Consumption	typically 5 V		55/80 mA	55 mA	55 mA	80 mA
	preactuator supply		30/40mA	30mA	30mA	40mA
Dissipated power in watt (13)			1,1+(Nx 0,75)	1,3+(Nx 0,2)	2,2+(Nx 0,55)	2,4+(Nx 0,85)

Relay outputs, thermal current 3 A

TSX DSY module reference		08R5 / 16R5				
Operating voltage	DC	10...34VCC				
	AC	19...264VCA				
Thermal current		3A				
AC load	Resistive duty AC12	Voltage	24 VCA	48 VCA	100...120 VCA	200...240 VCA
		Power	50VA (5)	50VA (6) 11VA (4)	110VA (6) 220VA (4)	220VA (6)
	Inductive duty AC14 & AC15	Voltage	24 VCA	48 VCA	100...120 VCA	200...240 VCA
		Power	24VA (4)	10VA (10) 24VA (8)	10VA (11) 50VA (7) 110VA (2)	10VA (11) 50VA (9) 110VA (6) 220VA (1)
	DC load	Resistive duty DC12	Voltage	24 VCC		
			Power	24 W (6) 40 W (3)		
Inductive duty DC13		Voltage	24 VCC			
		Power	10 W (8) 24W (6)			
Response time	Switch on	< 8ms				
	Switch off	< 10ms				
Isolation (50/60 Hz, 1 min)		2000 V rms				
Consumption	5 V typical	55/80 mA				
	24V typical relay (12)	(Nx 8,5)mA				
Dissipated power in watt (13)		0,25+(Nx 0,2)				

DC relay outputs			
TSX DSY module reference		08R4D	
Operating voltage limit	AC	not allowed	
	DC	19...143VCC	
Thermal current		5A (maxi 6A par commun)	
DC load	Resistive duty DC12	Voltage	24 VCC 48 VCC 100...130 VCC
		Power	50 W (6) 100 W (6) 220 W (6) 100 W (3) 200 W (3) 440 W (3)
	Inductive duty DC13	Voltage	24 VCC 48 VCC 110 VCC
		Power	20 W (8) 50 W (8) 110 W (8) 50 W (6) 100 W (6) 220 W (6)
Response time	Switch on	< 10ms	
	Switch off	< 15ms	
Isolation (50/60 Hz, 1 min)		2000 V rms	
Consumption	5 V typical		55 mA
	24 V typical relay (12)		(Nx 10)mA
Dissipated power in watt (13)		0,25+(Nx 0,24)	

Relay outputs, thermal current 8A			
TSX DSY module reference		08R5A	
Operating voltage	DC	19..60VCC	
	AC	19...264 VCA	
Thermal current		5 A (maxi. 6A par commun)	
AC load	Resistive duty AC12	Voltage	24 VCA 48 VCA 100...120 VCA 200...240 VCA
		Power	100 VA (5) 100 VA (6) 220 VA (6) 440 VA (6) 200 VA (4) 440 VA (4)
	Inductive duty AC14 & AC15	Voltage	24 VCA 48 VCA 100...120 VCA 200...240 VCA
		Power	50 VA (4) 20 VA (10) 20 VA (11) 20 VA (11) 50 VA (8) 50 VA (8) 110 VA (7) 110 VA (9) 220 VA (2) 220 VA (6) 440 VA (1)
DC load	Resistive duty DC12	Voltage	24 VCC 48 VCC
		Power	24 W (6) 50 W (6) 100 W (3)
	Inductive duty DC13	Voltage	24 VCC 48 VCC
		Power	10 W (8) 24 W (8) 50 W (6) 24W (6) 50 W (6)
Response V	Switch on	< 10ms	
	Switch off	< 15ms	
Isolation (50/60 Hz, 1 min)		2000 V rms	
Consumption	5 V typical		55 mA
	24 V typical relay (12)		(Nx 10)mA
Dissipated power in watt (13)		0,25+(Nx 0,24)	

(1) up to 34 V (1 h / 24 h)

(2) 0.1 x 10⁶ operations(3) 0.15 x 10⁶ operations(4) 0.3 x 10⁶ operations(5) 0.5 x 10⁶ operations(6) 0.7 x 10⁶ operations(7) 1 x 10⁶ operations(8) 1.5 x 10⁶ operations(9) 2 x 10⁶ operations(10) 3 x 10⁶ operations(11) 5 x 10⁶ operations(12) 10 x 10⁶ operations

(13) N = no. of channels at 1

Triac outputs			
TSX DSY module reference		08S5 / 16S5	16S4
Operating voltage		41...264 VAC	20...132 VAC
Permissible current	TSX DSY 08S5	2A / voie - 12A / module	1A / voie - 12A / module
	TSX DSY 16S5	1A / voie - 12A / module	
Response time	Switch on	< 10ms	< 10ms
	Switch off	< 10ms	< 10ms
Isolation (50/60 Hz, 1 min)		2000 V rms	2000 V rms
Consumption 5 V typical	TSX DSY 08S5	125 mA	220 mA
	TSX DSY 16S5	220 mA	
Dissipated power	TSX DSY 08S5	0.5 W + 1 W/A per output	0.85 W + 1 W/A per output
	TSX DSY 16S5	0.5 W + 1 W/A per output	

Characteristics of output modules with connector(s)

DC solid state outputs (positive logic)			
TSX DSY module reference		32T2K	64T2K
Nominal values	Voltage	24 VDC	24 VDC
	Current	0,1 A	0,1 A
Limit values (for U ≤ 30 or 34 V, ripple included)	Voltage	19...30 V(1)	19...30 V(1)
	Current / channel	0,125 A	0,125 A
	Current / module	3,2 A	5 A
Tungsten filament lamp power		1,2 W (maximum)	1,2 W (maximum)
Leakage current	at state 0	< 0.1 mA when U = 30 V	< 0.1 mA when U = 30 V
Residual voltage	at state 1	< 1.5 V when I = 0.1 A	< 1.5 V when I = 0.1 A
Min load impedance		220 Ω	220 Ω
Paralleling of outputs		Yes : 3 max	Yes : 3 max
Response time		1,2ms	1,2ms
Preactuator voltage monitoring threshold	OK	> 18 V	> 16 V
	Fault	< 14 V	< 14 V
Dielectric strength (50/60 Hz, 1 min)		1500 V rms	1500 V rms
Consumption	5 V typical	135 mA	155 mA
	24 V typ. sensor	30 mA	60 mA
Dissipated power (2) (W)		1,6 +(Nx 0,1)	2,4+(Nx 0,1)

(1) up to 34 V (1 h / 24 h)

(2) N = number of channels

Characteristics of mixed I/O module with connectors

Input characteristics			
TSX DMY module reference		28FK / 28RFK	
Nominal input values		Voltage	24 VDC
		Current	3,5 mA
Input limit values	at state 1	Voltage	≥ 11 V
		Current	≥ 3,5 mA
	at state 0	Voltage	≤ 5 V
		Current	≤ 1,5 mA
	Sensor supply (ripple included)		19...30 V (up to 34 V (1 h / 24 h))
Input impedance (at U nominal)		6,3 kΩ	
Type of input		current sink	
Paralleling of inputs		Yes	
Compatibility 2-wire/3-wire prox. senso		Yes	
Sensor voltage monitoring threshold		Ok	> 18 V
		Fault	< 14 V
Dielectric strength (50/ 60 Hz, 1 min)		1500 V rms	
Consumption	5 V typical		300 mA
	24 V typical sensor		20+(Nx 3,5) mA
Dissipated power		0,1	

Output characteristics			
TSX DMY module reference		28FK / 28RFK	
Nominal output values		Voltage	24 VDC
		Current	0,5 A
Output limit values	Voltage		19...30 V jusqu'à 34 V (1 h / 24 h)
	Current / channel		0,625 mA
	Current / module		4 A
	Tungsten filament lamp power		6 W
Leakage current	at state 0		<1 mA
Residual voltage	at state 1		<1,2 V
Minimum load impedance		48 Ω	
Response time		0,6 ms	
Preactuator voltage monitoring threshold		Ok	> 18 V
		Fault	< 14 V
Dielectric strength (50/60 Hz, 1 min)		1500 V rms	
Consumption	24 V preactuator		30 / 40 mA
Dissipated power		1 W + 0.75 W per output at 1	

Maintenance / Diagnostics

The status lamps on the front panel of the module, enable fast diagnostics of the following :

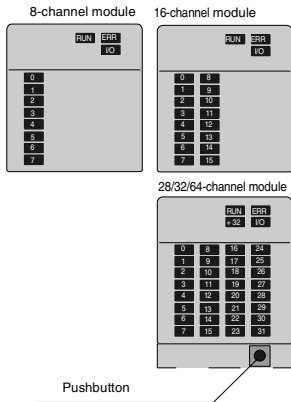
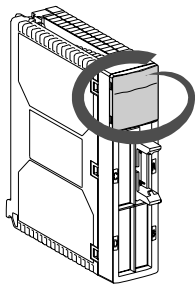
- 3 module status lamps provide information on the module operating mode
 - **RUN** (green) : module status (on : normal operation; off : faulty module)
 - **ERR** (red) : internal faults (on : module failure; flashing : communication fault)
 - **I/O** (red) : external faults (on : overload, short-circuit, sensor/ preactuator voltage fault; flashing : terminal block fault)




⚠ During the self-tests the RUN, ERR and I/O indicator lamps flash.

- 8, 16 or 32 channel status indicators give information on the status of every input or output (on : channel at state 1; flashing : faulty channel, overload or short-circuit; off : channel at state 0).

In addition, the **+32** indicator, found on 64 channel modules, indicates the group of channels displayed (off : channels 0 to 31; on : channels 32 to 63). A pushbutton (only on 64-channel modules) is used to select the group of channels.

For mixed I/O modules with 28 I/O (16I + 12O):
 -indicators 0 to 15 display the state of the inputs
 -indicators 16 to 27 display the state of the outputs



	On 	Flashing 	Off 
RUN	Normal operation	-	Module faulty or switched off
ERR	Internal fault module failure	Communication fault if RUN lamp on Module not configured if RUN lamp off (1)	No module fault
I/O	External fault : overload, short-circuit, sensor/ preactuator voltage fault	Terminal block fault	No external fault
0...I	Channel at state 1	Faulty channel, overload or short-circuit	Channel at state 0

(1) This state is only available on module versions \geq V2.0.

Operating conditions

Operating temperature		0...60° C
Relative humidity		10...95% (without condensation)
Operating altitude		0...2000 m
Withstand to	vibrations	IEC 68-2-6, Fc test, severity 2 g
	shocks	IEC 68-2-27, Ea test
Withstand to electrostatic discharge		IEC 1000-4-2, level 3
Immunity to	electromagnetic fields	EC 1000-4-3, level 3
	rapid transients	IEC 1000-4-4, level 3
	shock waves	IEC 1000-4-5
	damped oscillating waves	IEC 1000-4-12
Withstand to LF interference		IEC 1131-2
Storage temperature		-25...+70° C
Mechanical safety		IP 20 with TSX RKA 01 cover

Allgemeine Sicherheitsvorschriften

Standardracks TSX RKY •• und erweiterbare TSX RKY ••EX

Beschreibung	7
Gerätebeschreibung	8
Abmessungen	9
Montage / Befestigung	9
Einbauvorschriften	11
Adressen der Module	14
Einbau der Module	15
Montage der Module und Klemmleisten	17
Aufbau einer Steuerungsstation mit dem Prozessor TSX P57	18
Aufbau einer Steuerungsstation mit dem Prozessor PCX 57	20
BusX-Erweiterungskabel	22
Abschlußwiderstand TSX TLYEX	23
Schutzabdeckung nicht benutzter Positionen	25
Kennzeichnung	25

Versorgungsmodule TSX PSY •••

Beschreibung	27
Katalog	27
Gerätebeschreibung	28
Hilfsfunktionen	29
Einbau / Montage	30
Kenndaten	31
Anschlußvorschriften	35

Anschlüsse

Erdung der Racks	37
Anschluß der Versorgungsmodule	37
Anschluß der Alarmmodule	40

TSX P57

Beschreibung	41
Beschreibung der Hardware	42
Einbau / Montage	44
Vorsichtsmaßnahmen	45
Hilfsfunktionen	46
Diagnose über die LEDs	54
Technische Daten	55

Digitale Ein-/Ausgangsmodule

Beschreibung	63
Gerätebeschreibung	63
Kurzübersicht Katalog	64
Einbau / Montage	66
Funktionen	66
Anschlüsse und Verkabelungsregeln	69
Kenndaten der Eingangsmodule mit Klemmleiste	71
Kenndaten der Eingangsmodule mit Steckverbindern	72
Kenndaten der Ausgangsmodule mit Klemmleiste	73
Kenndaten der Ausgangsmodule mit Steckverbindern	75
Kenndaten der kombinierten Ein-/Ausgangsmodule mit Steckverbindern	76
Wartung / Diagnose	77
Betriebsbedingungen	78

1 Allgemeines

Diese Dokumentation wendet sich an Personen, die die erforderliche technische Qualifikation für die Inbetriebnahme, den Betrieb und die Wartung der nachfolgend beschriebenen Produkte besitzen. Zusätzliche Informationen für spezielle Einsatzformen der Produkte sind über die nächstgelegene ASA-Niederlassung erhältlich.

Der Inhalt der Dokumentation hat keinen vertragsgemäßen Charakter und kann in keinem Fall die vertraglich festgelegten Garantieklauseln erweitern oder einschränken.

2 Qualifikation des Personals

Nur **qualifiziertes Personal** ist zur Inbetriebnahme, zum Betrieb und zur Wartung der Produkte befugt. Der Eingriff einer nicht qualifizierten Person oder das Nichtbeachten der in diesem Dokument enthaltenen oder an den Geräten angebrachten Sicherheitsvorschriften kann zu schwerwiegenden Folgen für die Sicherheit des Betriebspersonals und der Anlagen führen.

3 Warnungen

Warnungen weisen auf besondere Risiken hin, denen das Bedienungspersonal oder die Geräte ausgesetzt sein können. Sie sind in den Dokumentationen und auf den Produkten durch ein Warnzeichen hervorgehoben:

Achtung oder Vorsicht

bedeutet, daß die Nichtanwendung der Vorschrift oder das Nichtbeachten der Warnung zu schweren körperlichen, unter Umständen lebensgefährlichen Verletzungen und/oder beträchtlichem Materialschaden führt oder führen kann.

Warnung oder Wichtig oder

weist auf eine besondere Vorschrift hin, deren Nichtanwendung zu leichten körperlichen Verletzungen und/oder Materialschäden führen kann.

Hinweis oder Bemerkung

hebt eine wichtige Information hervor, die das Produkt, seine Handhabung oder seine begleitende Dokumentation betrifft.

4 Konformität der Verwendung

Die in den Dokumentationen beschriebenen Produkte **entsprechen den Anforderungen der einschlägigen europäischen Richtlinien** (*) (CE-Siegel). Ihre korrekte Anwendung beschränkt sich auf die in den verschiedenen Dokumentationen beschriebenen Applikationen, für die sie entwickelt wurden, und nur in Verbindung mit anderen genehmigten Produkten.

(*) Richtlinien bezüglich der elektromagnetischen Kompatibilität und der Auslegung von Niederspannungssystemen.

5 Installation und Inbetriebnahme der Geräte

Bei Installation und Inbetriebnahme der Geräte müssen die nachfolgend beschriebenen Regeln beachtet werden. Außerdem müssen, wenn die Installation digitale Signalverbindungen enthält, die im Benutzerhandbuch "Elektromagnetische Verträglichkeit von industriellen Feldbussen und Netzwerken", Bestellnummer **TSX DG KBLG**.

- Die Sicherheitsvorschriften in der Dokumentation oder auf den zu installierenden oder in Betrieb zu nehmenden Geräten müssen genauestens eingehalten werden.
- Die Art der Installation hängt vom jeweiligen Gerätetyp ab:
 - ein für Schalttafelmontage vorgesehenes Gerät (zum Beispiel ein Bedienterminal) muß in eine Schalttafel eingebaut werden,
 - ein einbaubares Gerät (zum Beispiel eine programmierbare Steuerung) muß in einen Schaltschrank oder in ein Gehäuse eingebaut werden,

- ein Tischgerät oder ein tragbares Gerät (zum Beispiel ein Programmiergerät oder ein Notebook) muß in seinem geschlossenen Gehäuse bleiben.

• Ist das Gerät permanent angeschlossen, muß in der elektrischen Installation eine Vorrichtung für die Versorgungstrennung und ein Sicherungsschalter zum Schutz vor Überströmen und Isolierfehlern vorgesehen werden. Andernfalls ist der Netzstecker zu erden und leicht zugänglich zu machen. **Das Gerät muß an die Schutz Erde angeschlossen werden.**

• Bei einer 24- oder 48-V-Gleichstromversorgung des Geräts müssen die Niederspannungsschaltkreise geschützt werden. Es dürfen nur Versorgungen verwendet werden, die den bestehenden Normen entsprechen.

• Es muß sichergestellt werden, daß die Versorgungsspannungen innerhalb der in den technischen Kenndaten der Geräte definierten Toleranzgrenzen bleiben.

• Es müssen alle erforderl. Maßnahmen getroffen werden, damit bei Netzwiederkehr (Sofort-, Warm- oder Kaltstart) kein Gefährdungszustand für das Bedienpersonal oder die Anlage eintritt.

• Die Not-Ausschaltkomponenten müssen in allen Betriebsarten des Geräts, selbst in Störungssituationen (z.B. Drahtbruch) funktionsfähig bleiben. Das Wiedereinschalten dieser Komponenten darf keine unkontrollierten oder undefinierten Neustarts hervorrufen.

• Die Signalkabel müssen so verlegt werden, daß die Steuerungsfunktionen nicht durch kapazitive, induktive oder elektromagnetische u.a. Einflüsse gestört werden.

• Die Steuerungsgeräte und ihre Bedienungselemente müssen so installiert werden, daß sie vor versehentlicher Betätigung geschützt sind.

• Um zu vermeiden, daß eine Unterbrechung der Geber-/Stellsignale undefinierte Zustände in der Steuerungsanlage hervorruft, sind entsprechende Sicherheitsvorkehrungen für die Ein- und Ausgänge zu treffen.

6 Betrieb der Geräte

Die Funktionssicherheit einer Anlage charakterisiert sich durch ihre Fähigkeit, Ausfälle weitestgehend zu vermeiden und deren Auswirkungen nach ihrem eventuellen Auftreten einzuschränken.

Steuerunginterne Fehler werden folgendermaßen klassifiziert:

• passiv, wenn sie einen Ausgang ausschalten (den Stellgliedern wird keinerlei Befehl erteilt)

• aktiv, wenn sie einen Ausgang einschalten (den Stellgliedern wird ein bestimmter Befehl erteilt)

Das mit dem jeweiligen Fehlertyp verbundene Sicherheitsrisiko ist eine Funktion der Art des bei Normalbetrieb gegebenen Befehls. Ein passiver Fehler ist gefährlich, wenn der normale Befehl eine Alarmaktion darstellt; ein aktiver Fehler ist gefährlich, wenn er einen unerwünschten Befehl beibehält oder aktiviert.

Bei Systementwurf muß allen steuerungswurde intern auftretenden aktiven, nicht signalisierten Fehlern, die in der Applikation eine Gefahrensituation heraufbeschwören können, durch **außerhalb der programmierbaren Steuerung installierte Sicherheitsfunktionen** vorgebeugt werden.

7 Elektrische und thermische Kenndaten

Detaillierte elektrische und thermische Kenndaten der Geräte finden sich in den jeweiligen technischen Dokumentationen (Inbetriebnahmehandbuch, Bedienungsanleitung).

8 Wartung

Verhalten bei Reparaturen

• Reparaturen an einem Steuerungsgerät dürfen nur durch qualifiziertes Personal ausgeführt werden (Kundendiensttechniker oder autorisierter Techniker von Schneider-Automation). Beim Ersatz von Teilen oder Komponenten sind nur Originalteile zu verwenden.

• Vor jedem Eingriff in einem Gerät müssen in jedem Falle dessen Versorgung unterbrochen und eventuell bewegliche Teile durch eine Sperre arretiert werden.

Auswechseln und Recycling verbrauchter Batterien

Es sind Batterien desselben Typs zu verwenden und defekte Batterien als Giftmüll zu entsorgen.

Beschreibung

Die Racks TSX RKY ••• nehmen folgende Funktionen wahr:

- Mechanische Funktionen: Die Racks dienen der Befestigung der Gesamtheit der Module einer Steuerungsstation (Versorgung, Prozessor, digitale E/A ...), sie selbst können in Schaltschränken, Maschinengehäusen oder auf Schalttafeln befestigt werden.

- Elektrische Funktionen: Die Racks enthalten den sogenannten BusX, der für die Verteilung der für jedes Modul desselben Racks notwendigen Stromversorgung sowie der Dienst- und Datensignale für die gesamte Steuerungsstation sorgt, falls diese aus mehreren Racks besteht.

Zwei Rackfamilien werden in verschiedenen Größen (4, 6, 8, 12 Steckpositionen) als Standard- und erweiterbare Racks angeboten:

- Standardracks ermöglichen den Aufbau einer Steuerungsstation, die auf **1 einziges Rack** beschränkt ist,

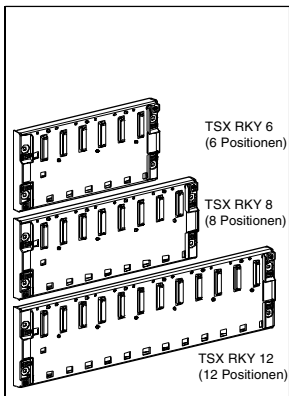
- Erweiterbare Racks ermöglichen den Aufbau einer Steuerungsstation, die aus

- maximal 8 Racks** TSX RKY 12EX

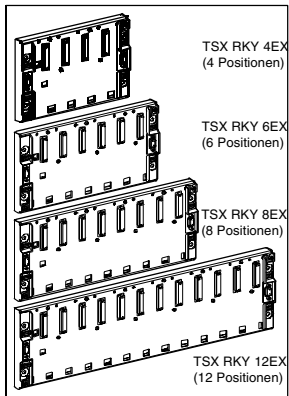
- maximal 16 Racks** TSX 4EX/6EX/8EX

bestehen kann, verteilt auf den BusX und mit einer maximalen Länge von 100 m. Für die Weiterführung des BusX von einem Rack zu einem anderen sorgt ein Bus-Erweiterungskabel mit speziellen Kenndaten.

Standardracks

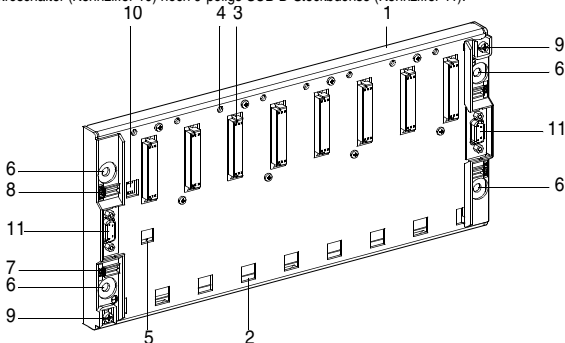


Erweiterbare Racks



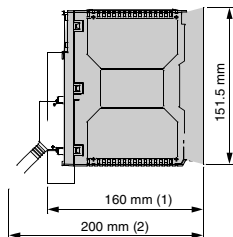
Gerätebeschreibung

Nachfolgend ist ein erweiterbares Rack TSX RKY 8EX dargestellt. Standardracks enthalten weder Mikroschalter (Kennziffer 10) noch 9-polige SUB-D-Steckbuchse (Kennziffer 11).

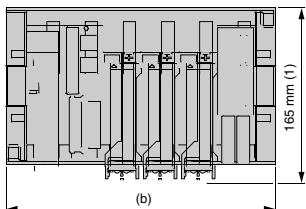


- 1 Metallblech; dient als Träger der BusX-Elektronik und schützt diese vor elektromagnetischen/elektrostatischen Störungen. Es dient als Träger der Module und sorgt für die mechanische Steifheit des Racks.
- 2 Fenster zur Verankerung der Führungsnasen der Module.
- 3 48 polige 1/2-DIN-Steckbuchsen zur Verbindung des Racks mit den Modulen. Sie sind durch Abdeckungen geschützt, die vor dem Einsetzen der Module entfernt werden müssen. Die äußerst linke Steckbuchse mit der Kennung "PS" ist immer für das Versorgungsmodul des Racks vorgesehen, die anderen Steckbuchsen mit den Kennziffern 00 bis 07 sind zur Aufnahme aller anderen Modultypen bestimmt.
- 4 Löcher mit Innengewinde für die Befestigungsschraube des Moduls.
- 5 Fenster zur Verriegelung bei der Montage des Versorgungsmoduls, das nur in dieser Position montiert werden kann.
- 6 Löcher für M6-Schrauben zur Befestigung des Racks auf einem Träger.
- 7 Aufstecketiketten zur Kennzeichnung der Rackadresse.
- 8 Aufstecketiketten zur Kennzeichnung der Netzadresse der Station.
- 9 Anschlußklemmen zur Erdung des Racks.
- 10 Mikroschalter zur Codierung der Rackadresse. Diese Mikroschalter sind nur bei den erweiterbaren Racks TSX RKY 4EX/6EX/8EX/12EX vorhanden.
- 11 9-polige SUB-D-Steckbuchsen zur Verbindung des BusX mit einem anderen Rack (nur bei den erweiterbaren Racks TSX RKY 4EX/6EX/8EX/12EX vorhanden).

Abmessungen



(1) mit Modulen und Klemmleisten
 (2) maximale Tiefe mit allen
 Modultypen und deren
 Anschlüssen

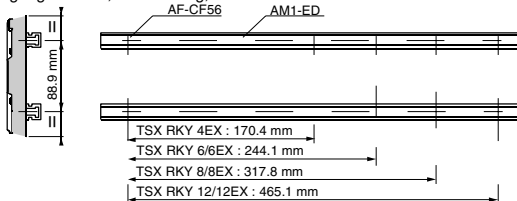


Bestellnummern der Racks	(b) in mm
TSX RKY 4EX	187,9 mm
TSX RKY 6/6EX	261,6 mm
TSX RKY 8/8EX	335,3 mm
TSX RKY 12/12EX	482,6 mm

Montage / Befestigung

• Montage auf DIN-Profiltschiene, Breite 35 mm

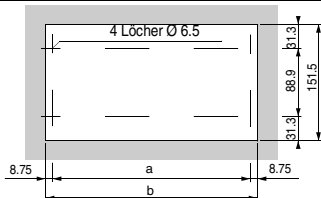
Befestigung mit 4 Schrauben M6x25 + Unterlegscheiben und unverlierbaren Befestigungsmuttern, 1/4 Drehung, AF1-CF56



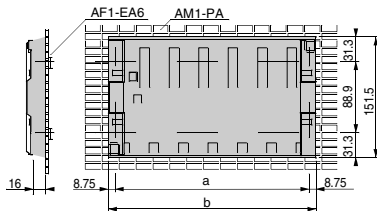
• **Montage auf Schalttafel:**
Bohrplan (Abmessungen in mm)

Bestelln. d. Racks	a	b
TSX RKY 4EX	170,41	87,9
TSX RKY 6/6EX	244,1	261,6
TSX RKY 8/8EX	317,8	335,3
TSX RKY 12/12EX	465,1	482,6

Abmessungen a und b in mm



• **Montage auf Telequick-Schlitzplatte AM1-PA**

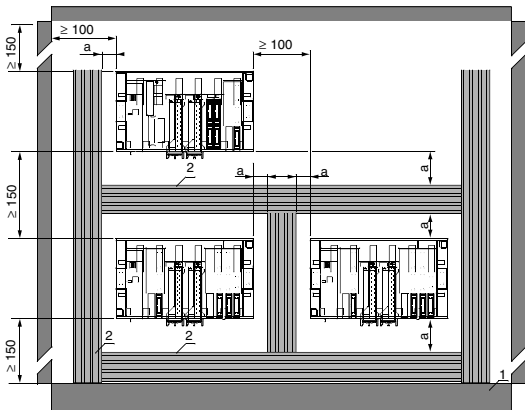


Das Rack mit 4 Schrauben M6x25 + Unterlegschaubren und Clipsmuttern AF1-EA6 befestigen.
 (Abmessungen a und b : siehe Tabelle auf vorhergehender Seite).

• **Anzugs-Drehmoment der Befestigungsschrauben:** max. 2,0 Nm

Einbauvorschriften

Die Racks TSX RKY ••• müssen horizontal ausgerichtet auf einer vertikalen Fläche installiert werden.



$a \geq 50 \text{ mm}$

1 Gerät oder Gehäuse

2 Kabelkanal oder Kabelhalter

Adressierung der Racks einer Steuerungsstation

- Stationsaufbau mit einem Standardrack

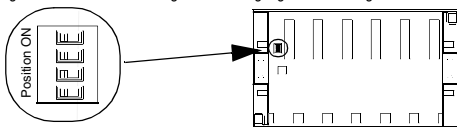
Die Station ist immer auf ein einziges Rack beschränkt; die Adresse des Racks ist implizit und hat immer den Wert 0.

- Stationsaufbau mit erweiterbaren Racks

Bei jedem Rack der Station können über 4 auf dem Rack angeordnete Mikroschalter folgende Aufgaben durchgeführt werden:

- Codierung der Rackadresse auf dem BusX (0 bis 7) über die Mikroschalter 1 bis 3 ,
- Codierung der zwei Racks (4, 6 oder 8 Steckplätze) auf denselben Adressenwert über den Mikroschalter 4. Diese Funktion ist nur mit der Software PL7 Junior und PL7 Pro ab Version 3.3 verfügbar.

Die Codierungen müssen vor der Montage des Versorgungsmoduls erfolgen.



Rackadressen	00	01	02	03	04	05	06	07
4								
Stellung der Mikroschalter								
3								
2								
1								
	ON OFF	ON OFF	ON OFF	ON OFF	ON OFF	ON OFF	ON OFF	ON OFF

Zuweisung von Adressen für die verschiedenen Racks:

- Adresse 0: Diese Adresse wird immer dem Rack zugewiesen, das:
 - physisch den Prozessor TSX P57,
 - virtuell den Prozessor PCX 57 unterstützt.
 Dieses Rack kann sich an beliebiger Stelle in der Kette befinden.
- Adressen 1 bis 7: Diese Adressen können allen anderen Racks der Station in beliebiger Reihenfolge zugewiesen werden.

⚠ Wenn zwei oder mehr Racks fälschlicherweise derselben Adresse zugeordnet sind (außer Adresse 0), wechseln diese Racks ebenso wie deren Module in den Fehlerzustand.

Nachdem die Racks mit fehlerhafter Adresse korrekt adressiert worden sind, muß die Versorgung der betroffenen Racks ein-/ausgeschaltet werden.

Hinweise:

1 Diese Bemerkung betrifft nur die Racks TSX RKY **••EX**.

2 Wenn einem oder mehreren Racks die Adresse 0 zugewiesen ist, wechselt das Rack mit dem Prozessor nicht in den Fehlerzustand.

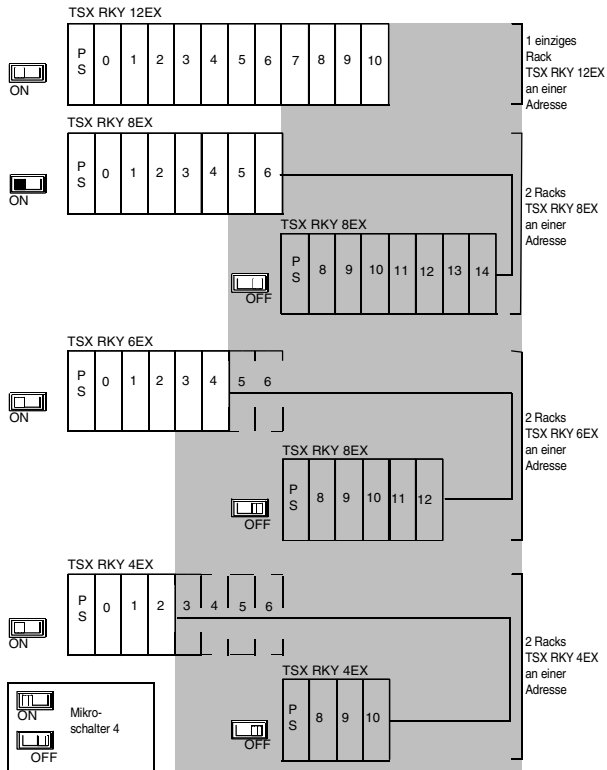
Prinzip der Adressierung von 2 Racks auf denselben Adressenwert (siehe umseitiges Funktionsschema):

Diese Funktion ist nur mit der Software PL7 Junior und PL7 Pro ab Version 3.3 verfügbar.

- Die Racks TSX RKY 12EX können nicht dieselbe Adresse haben wie ein anderes Rack.
- Die Racks TSX RKY 4EX/6EX/8EX können untereinander kombiniert werden.

Standardracks TSX RKY •• und erweiterbare TSX RKY ••EX

- Zwei Racks TSX RKY 4EX/6EX/8EX derselben Adresse müssen nicht unbedingt hinter-einander geschaltet sein. Die physische Anordnung ist ohne Bedeutung.



Adressen der Module

Die Adresse eines Moduls ist positionsbedingt; sie hängt von der Steckposition des Moduls im Rack ab. Die Adressen der Positionen sind oberhalb des jeweiligen Schalters angegeben. Die mit PS gekennzeichnete Steckposition ist immer für die Versorgung reserviert.

Moduladressen in Abhängigkeit vom Typ des Racks

- Standardracks

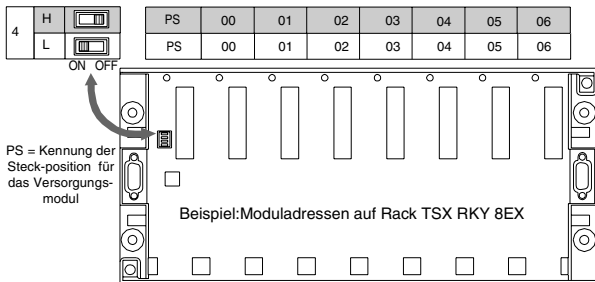
- Racks TSX RKY 6: Adressen 00 bis 04
- Racks TSX RKY 8: Adressen 00 bis 06
- Racks TSX RKY 12: Adressen 00 bis 10

- Erweiterbare Racks

Die Adresse eines Moduls hängt von der Stellung des Mikroschalters 4 ab (siehe nachstehende Tabelle).

Racktyp	Moduladressen	
	Mikroschalter 4 in Stellung ON	Mikroschalter 4 in Stellung OFF
Rack TSX RKY 4EX	00 à 02	08 à 10
Rack TSX RKY 6EX	00 à 04	08 à 12
Rack TSX RKY 8EX	00 à 06	08 à 14
Rack TSX RKY 12EX	00 à 10	nicht verwendbar

Moduladressen



Hinweis: Auf die grau unterlegten Adressen kann nur über die Software PL7 Junior und PL7 Pro ab Version 3.3 zugegriffen werden.

Einbau der Module

• Auf Standard- oder erweiterbarem Rack mit Adresse 0 und Prozessor TSX P57

Das Rack mit der Adresse 0 nimmt in jedem Falle ein Versorgungs- und das Prozessormodul auf. Bei Premium-Steuerungen, für die zwei Versorgungstypen verfügbar sind (Standard- oder doppelte Größe), hängt die Position des Prozessors vom Typ der Versorgung ab.

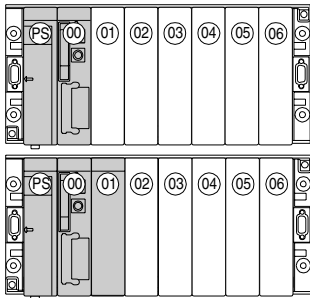
Verwendung eines Versorgungsmoduls im Standardformat:

-Das Versorgungsmodul wird grundsätzlich in Position PS eingesetzt.

-Das Prozessormodul in der Standardgröße kann in Position 00 (bevorzugte Position) oder in Position 01 eingesetzt werden (in diesem Fall ist Position 00 nicht verfügbar).

-Das Prozessormodul in doppelter Größe wird in den Positionen 00 und 01 (bevorzugte Position) oder in den Positionen 01 und 02 eingesetzt (in diesem Falle ist Position 00 nicht verfügbar).

-Die anderen Module werden ab Positionen 01, 02 oder 03 je nach Prozessorposition eingesetzt.



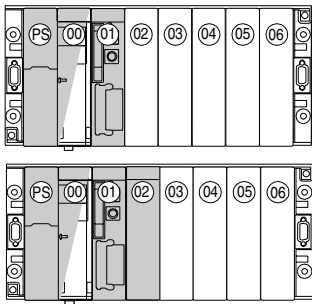
Verwendung eines Versorgungsmoduls in doppelter Größe:

-Das Versorgungsmodul wird grundsätzlich in Positionen PS und 00 eingesetzt.

-Das Prozessormodul in der Standardgröße muß grundsätzlich in Position 01 eingesetzt werden.

-Das Prozessormodul in der doppelten Größe wird in den Positionen 01 und 02 eingesetzt.

-Die anderen Module werden je nach Prozessortyp (Standard- bzw. doppelte Größe) ab Positionen 02 oder 03 eingesetzt.

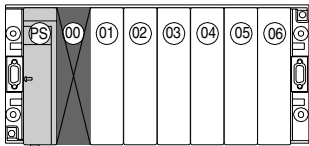


• Auf erweiterbarem Rack mit Adresse 0 und in PC integrierbarem Prozessor PCX 57

Der in den PC integrierbare Prozessor PCX 57 belegt virtuell eine Position im Rack der Adresse 0; diese virtuelle Position bleibt frei. Bei Premium-Steuerungen, für die zwei Versorgungstypen verfügbar sind (Standard- oder doppelte Größe), hängt die Position des Prozessors vom Typ der Versorgung ab.

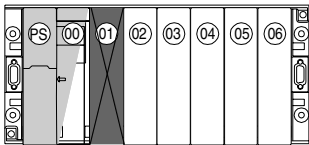
Verwendung eines Versorgungsmoduls im Standardformat:

- Das Versorgungsmodul wird grundsätzlich in Position PS eingesetzt.
- Die Position 00 (der virtuelle Steckplatz des Prozessors) muß freibleiben.
- Die anderen Module werden ab Position 01 eingesetzt.



Verwendung eines Versorgungsmoduls im doppeltem Format:

- Das Versorgungsmodul wird grundsätzlich in Positionen PS und 00 eingesetzt.
- Die Position 01 (der virtuelle Steckplatz des Prozessors) muß freibleiben.
- Die anderen Module werden ab Position 02 eingesetzt.

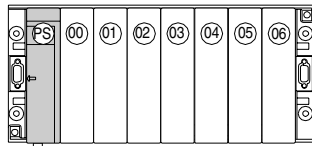


• Auf erweiterbarem Rack mit Adresse 1 bis 7

Jedes Rack muß mit einem Versorgungsmodul in Standard- oder doppelter Größe versehen sein.

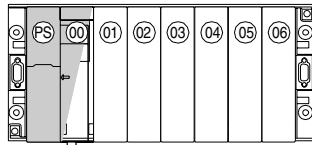
Verwendung eines Versorgungsmoduls im Standardformat:

- Das Versorgungsmodul wird grundsätzlich in Position PS eingesetzt.
- Die anderen Module werden ab Position 00 installiert.



Verwendung eines Versorgungsmoduls im doppelten Format:

- Das Versorgungsmodul wird grundsätzlich in Positionen PS und 00 eingesetzt.
- Die anderen Module werden ab Position 01 installiert.

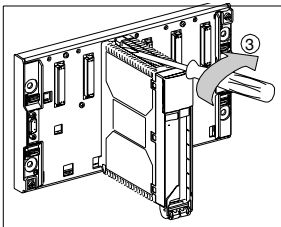
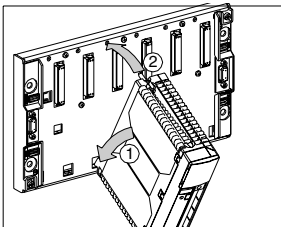


Montage der Module und Klemmleisten

Der Ein- und Ausbau von Modulen kann unter Spannung erfolgen, mit Ausnahme der Versorgungsmodule und des Prozessormoduls und der PCMCIA-Kommunikationskarten.

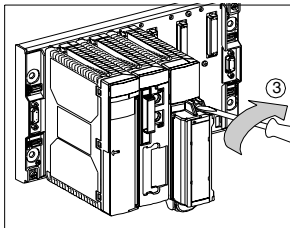
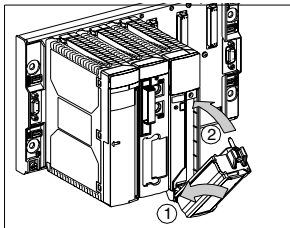
⚠ Soll ein Modul unter Spannung manuell an-/abgeschraubt werden, ist unbedingt die Klemmleiste bzw. der Stecker HE10 zuvor abzunehmen. Liegt die Geber-/Stellgliederversorgung über 48 V, ist sie ebenfalls zu unterbrechen.

• Montage der Module mit Klemmleiste



• Einsatz einer Klemmleiste auf einem Modul

Bei der ersten Montage einer Klemmleiste auf ein Modul muß die Klemmleiste im Hinblick für den jeweiligen Modultyp codiert werden. Dazu werden zwei Codierstifte des Moduls auf die Klemmleiste übertragen. Diese mechanische Codierung verhindert später die Montage der codierten Klemmleiste auf ein Modul eines anderen Typs.



Hinweis: Beim Austausch eines Moduls auf dem Rack durch ein anderes Modul ist die auf dem bisherigen Modul angeschlossene Klemmleiste bereits mit den Codierstiften dieses Moduls versehen. Zwei Fälle sind zu unterscheiden:

- **Fehlerhaftes Modul, durch ein Modul desselben Typs zu ersetzen:** Um die Klemmleiste auf dem neuen Modul einsetzen zu können, müssen zunächst vor der Montage der Klemmleiste die Codierstifte auf dem neuen Modul entfernt werden.
- **Austausch eines Moduls durch ein Modul eines anderen Typs:** Zunächst die alten Codierstifte auf der Klemmleiste entfernen, dann wie zuvor beschrieben montieren.

Aufbau einer Steuerungsstation mit dem Prozessor TSX P57

• Unter Verwendung von Standardracks

TSX RKY 6/8/12

Standardracks ermöglichen den Aufbau einer auf **ein einziges Rack** beschränkten Steuerungsstation.

• Unter Verwendung von erweiterbaren Racks TSX RKY 4EX/6EX/8EX/12EX

Erweiterbare Racks ermöglichen den Aufbau einer Steuerungsstation mit maximal Station TSX P57 10:

- 2 Racks TSX RKY 12EX,
- 4 Racks TSX RKY 4EX/6EX/8EX.

Station TSX P57 20/57 30/57 40:

- 8 Racks TSX RKY 12EX,
- 16 Racks TSX RKY 4EX/6EX/8EX

Eine Station kann Racks mit 4, 6, 8 und 12 Steckplätzen umfassen, die durch BusX-Erweiterungskabel (Kennziffer **1**) miteinander verbunden sind. Der BusX muß an seinen beiden Enden mit einem Abschlußwiderstand (Kennziffer **2**) versehen sein.

-BusX-Erweiterungskabel

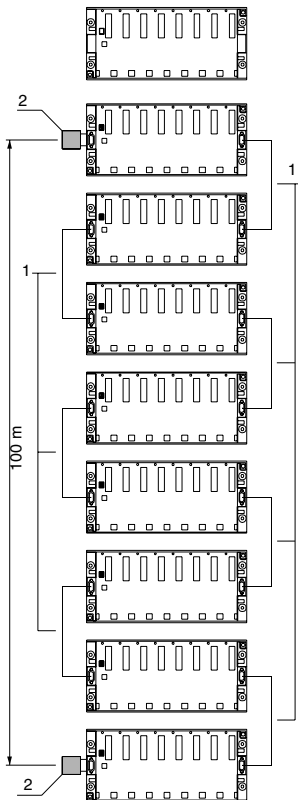
Die Racks werden miteinander mit Kabel TSX CBY ●●OK verbunden, die an die rechts und links in jedem erweiterbaren Rack angebrachten 9poligen SUB-D-Steckverbinder angeschlossen werden.

Da der Begriff "ankommend" bzw. "abgehend" auf der Ebene 9poliger SUB-D-Steckverbinder nicht existiert, kann ein von einem anderen Rack kommendes oder ein zu einem anderen Rack führendes Kabel sowohl an den rechten als auch den linken Steckverbinder angeschlossen werden.

-Abschlußwiderstand

Die beiden an den Enden des BusX gelegenen erweiterbaren Racks müssen an dem nicht verwendeten Steckverbinder **unbedingt** mit einem Abschlußwiderstand TSX TLYEX mit der Kennzeichnung A/ und /B versehen werden.

-Maximallänge der Kabel



Standardracks TSX RKY •• und erweiterbare TSX RKY ••EX

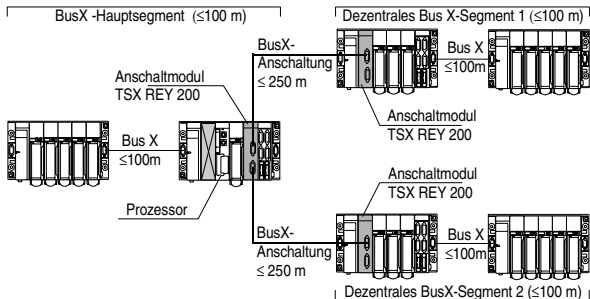
Die Gesamtlänge aller in einer Steuerungsstation verwendeten Kabel

TSX CBY ••OK darf 100 m nicht übersteigen.

Wenn bei einer Steuerungsstation TSX P57 eine Entfernung von mehr als 100 m zwischen den Racks erforderlich ist, ermöglicht ein dezentrales BusX-Anschaltmodul (TSX REY 200) die Anschaltung von zwei BusX-Segmenten von dem Rack ausgehend, der den Prozessor aufnimmt, über eine Länge von maximal 250 m. Die einzelnen BusX-Segmente können hierbei eine Länge von maximal 100 m aufweisen.

Die Höchstanzahl der Racks in einer Station ist dieselbe wie bei einer Station ohne Anschaltmodul, d.h.:

- Station TSX P57 10:
-2 Racks TSX RKY 12EX
-4 Racks TSX RKY 4EX/6EX/8EX
- Station TSX P57 20/57 30/57 40:
-8 Racks TSX RKY 12EX
-16 Racks TSX RKY 4EX/6EX/8EX.



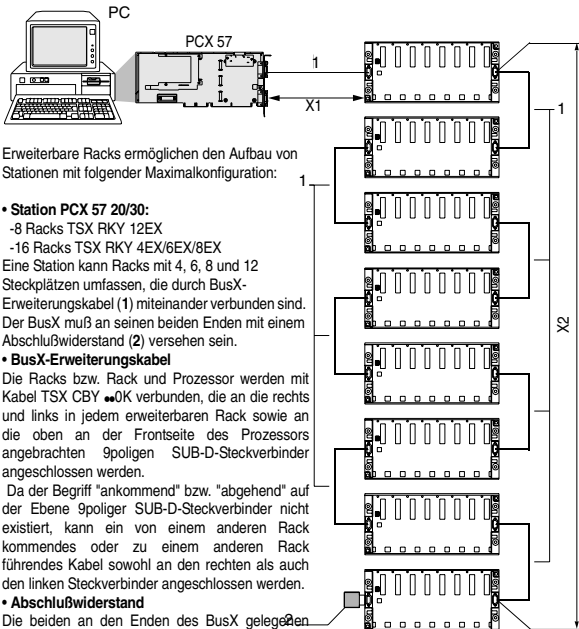
Die Installation einer dezentralen BusX-Anschaltung wird ausführlicher in der mit dem Modul TSX REY 200 gelieferten Betriebsanleitung beschrieben.

Terminologie

- Station TSX 57 10: Station mit einem Prozessor TSX P57 10•/15•
- Station TSX 57 20: Station mit einem Prozessor TSX P57 20•/25•/2•23
- Station TSX 57 30: Station mit einem Prozessor TSX P57 30•/35•/3623
- Station TSX 57 40: Station mit einem Prozessor TSX P57 45•/4823

Aufbau einer Steuerungsstation mit dem Prozessor PCX 57

In diesem Fall wird die Steuerungsstation unter Verwendung von erweiterbaren Racks TSX RKY 4EX/6EX/8EX/12EX aufgebaut.



Erweiterbare Racks ermöglichen den Aufbau von Stationen mit folgender Maximalconfiguration:

• Station PCX 57 20/30:

-8 Racks TSX RKY 12EX

-16 Racks TSX RKY 4EX/6EX/8EX

Eine Station kann Racks mit 4, 6, 8 und 12 Steckplätzen umfassen, die durch BusX-Erweiterungskabel (1) miteinander verbunden sind. Der BusX muß an seinen beiden Enden mit einem Abschlusswiderstand (2) versehen sein.

• BusX-Erweiterungskabel

Die Racks bzw. Rack und Prozessor werden mit Kabel TSX CBY 00K verbunden, die an die rechts und links in jedem erweiterbaren Rack sowie an die oben an der Frontseite des Prozessors angebrachten 9poligen SUB-D-Steckverbinder angeschlossen werden.

Da der Begriff "ankommend" bzw. "abgehend" auf der Ebene 9poliger SUB-D-Steckverbinder nicht existiert, kann ein von einem anderen Rack kommendes oder zu einem anderen Rack führendes Kabel sowohl an den rechten als auch den linken Steckverbinder angeschlossen werden.

• Abschlusswiderstand

Die beiden an den Enden des BusX gelegenen erweiterbaren Racks müssen an dem nicht verwendeten Steckverbinder **unbedingt** mit einem Abschlusswiderstand TSX TLYEX mit dem Kennzeichen /B versehen werden.

Bei Auslieferung ist der Prozessor PCX 57 zur Positionierung am Anfang der Kette konfiguriert. Der erforderliche Abschlusswiderstand /A ist daher in den Prozessor integriert.

• **Maximallänge der Kabel:** Die Gesamtlänge (X1 + X2) aller in einer Steuerungsstation verwendeten Kabel TSX CBY 00K darf 100 m nicht übersteigen.

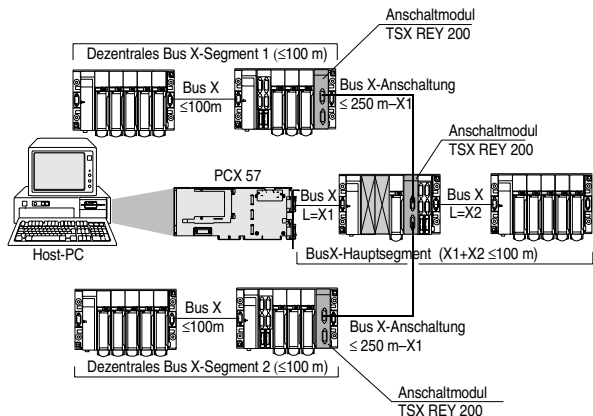
Standardracks TSX RKY •• und erweiterbare TSX RKY ••EX

Wenn bei einer Steuerungsstation PCX 57 eine Entfernung von mehr als 100 m zwischen den Racks erforderlich ist, ermöglicht ein dezentrales BusX-Anschaltmodul (TSX REY 200) die Anschaltung von zwei BusX-Segmenten von dem Rack ausgehend, in dem der Prozessor virtuell positioniert ist, über eine Länge von maximal 250 m. Die einzelnen BusX-Segmente können hierbei eine Länge von maximal 100 m aufweisen.

Die Höchstanzahl der Racks in einer Station ist dieselbe wie bei einer Station ohne Anschaltmodul, d.h.:

• Station PCX 57 20/30:

- 8 Racks TSX RKY 12EX
- 16 Racks TSX RKY 4EX/6EX/8EX



Die Installation einer dezentralen BusX-Anschaltung wird ausführlicher in der mit dem Modul TSX REY 200 gelieferten Betriebsanleitung beschrieben.

Terminologie

- Station PCX 57 20: Station mit einem Prozessor TPCX 57 203
- Station PCX 57 30: Station mit einem Prozessor TPCX 57 353

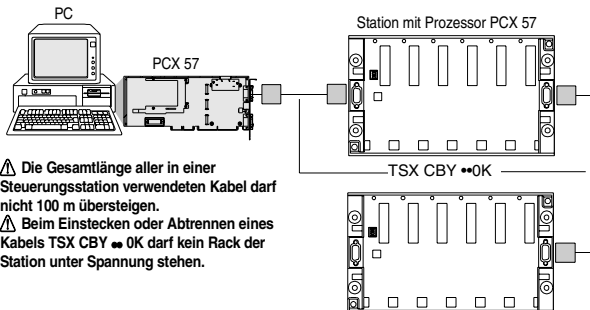
BusX-Erweiterungskabel

• BusX-Erweiterungskabel: TSX CBY ●● 0K (●● ≥ 02)

Diese Kabel vorgegebener Länge dienen der Verketzung der erweiterbaren Racks TSX RKY ●●EX. Bei Verwendung eines Prozessors PCX 57 ermöglichen sie auch die Verbindung zwischen dem in den PC integrierten Prozessor und dem ersten Rack der Station. Sie sind an jedem ihrer Enden mit einem 9poligen SUB-D-Stecker ausgestattet.

Hinweis: Diese Kabel führen keine Versorgungsspannung, jedes Rack hat sein eigenes Versorgungsmodul.

Bestellnummern	Länge
TSX CBY 010K (●● ≥ 02)	1 m
TSX CBY 030K (●● ≥ 02)	3 m
TSX CBY 050K (●● ≥ 02)	5 m
TSX CBY 120K (●● ≥ 02)	12 m
TSX CBY 180K (●● ≥ 02)	18 m
TSX CBY 280K (●● ≥ 02)	28 m
TSX CBY 380K (●● ≥ 02)	38 m
TSX CBY 500K (●● ≥ 02)	50 m
TSX CBY 720K (●● ≥ 02)	72 m
TSX CBY 1000K (●● ≥ 02)	100 m



⚠ Die Gesamtlänge aller in einer Steuerungsstation verwendeten Kabel darf nicht 100 m übersteigen.

⚠ Beim Einstecken oder Abtrennen eines Kabels TSX CBY ●● 0K darf kein Rack der Station unter Spannung stehen.

Standardracks TSX RKY •• und erweiterbare TSX RKY ••EX

• BusX-Erweiterungskabel: TSX CBY 1000 (Trommel mit einer Länge von 100 m)

Wenn die Länge des BusX zwischen 2 Racks kürzer ist als 100 m und keiner der angebotenen Längen der vorkonfektionierten Kabel entspricht, ist unbedingt das Kabel TSX CBY 1000 einzusetzen. Der Anwender muß an jedes Ende dieses Kabels einen Anschlußstecker TSX CBY K9 montieren. Die Vorgehensweise zur Montage ist in der Bedienungsanleitung beschrieben, die mit dem Kabel und den Steckern ausgeliefert wird.

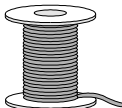
Zum Einsatz dieses Kabels sind folgende Elemente erforderlich:

- Eine Kabeltrommel

TSX CBY 1000 mit 2 Verbindungsprüfern zum Überprüfen des Kabels nach Realisierung der verschiedenen Anschlüsse,

- in Satz mit 2 9-poligen Steckern TSX CBY K9 und verschiedenen Zubehörteilen,

- ein Satz TSX CBY ACC10 bestehend aus einer Quetschzange und einem Kontaktzähler, der bei Störungen im Kabel zu verwenden ist.



Trommel



Verbindungsprüfer



Stecker
TSX CBY K9



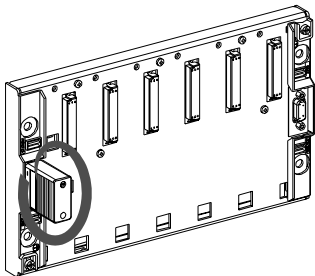
TSX CBY ACC10



Abschlußwiderstand TSX TLYEX

Bei Verwendung von erweiterbaren Racks muß der BusX an beiden Enden mit einem Abschlußwiderstand (bestehend aus einem Adaptergehäuse mit 9poligem SUB-D-Stecker) versehen werden. Dieser Abschlußwiderstand wird in die nicht verwendete Steckbuchse des erweiterbaren Racks am Ende der Kette eingesetzt.

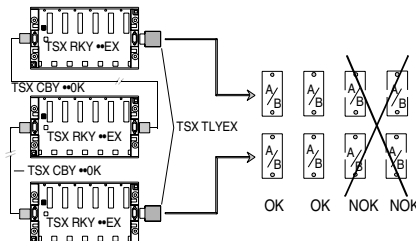
Die Abschlußwiderstände TSX TLY EX werden paarweise mit der Kennzeichnung A/ und /B ausgeliefert. Der Bus muß unbedingt einen Abschlußwiderstand A/ an einem seiner Enden sowie einen Abschlußwiderstand /B an dem anderen Ende aufweisen, wobei die Reihenfolge keine Rolle spielt.



⚠ Das Einstecken oder Abtrennen eines Abschlußwiderstands darf nur im spannungslosen Zustand aller Racks der Station erfolgen.

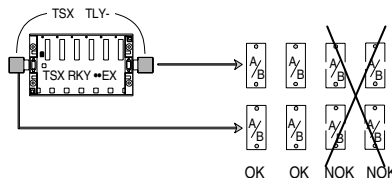
• Anordnung der Abschlußwiderstände bei einer Steuerungsstation mit Prozessor TSX P57

- Steuerungsstation mit mehreren erweiterbaren Racks TSX RKY ●●EX.

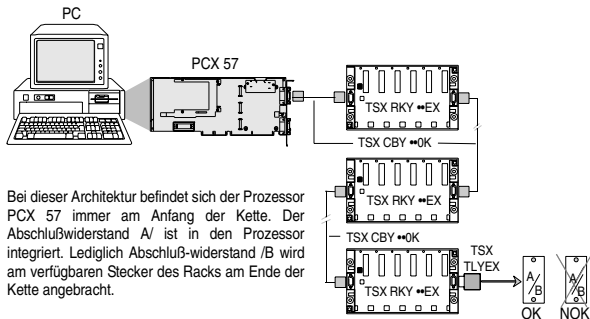


- Steuerungsstation mit einem einzigen erweiterbaren Rack.

In diesem Fall muß an jedem 9poligen SUB-D-Stecker des Racks ein Abschlußwiderstand montiert werden.



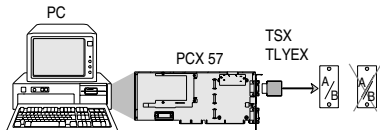
• Anordnung der Abschlußwiderstände bei einer Steuerungsstation mit Prozessor PCX 57



Bei dieser Architektur befindet sich der Prozessor PCX 57 immer am Anfang der Kette. Der Abschlußwiderstand A/ ist in den Prozessor integriert. Lediglich Abschlußwiderstand /B wird am verfügbaren Stecker des Racks am Ende der Kette angebracht.

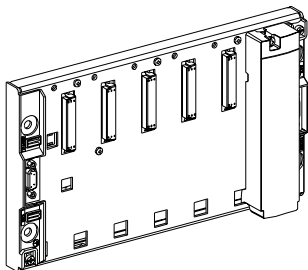
Sonderfall:

Falls kein Element am BusX-Stecker des Prozessors angeschlossen ist, muß der Abschlußwiderstand /B **unbedingt** an diesem Stecker installiert werden.



Schutzabdeckung nicht benutzter Positionen

Wenn eine Position eines Racks nicht belegt ist, sollte in dieser Position eine Schutz-abdeckung TSX RKA 02 montiert werden.



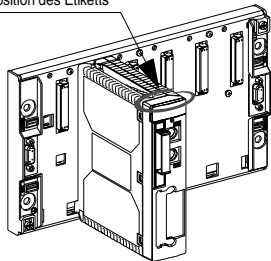
Kennzeichnung

• Kennzeichnung der Modulpositionen auf dem Rack

Jedes Rack wird mit Selbstklebeetiketten ausgeliefert, die die Kennzeichnung der Position eines jeden Moduls ermöglichen.

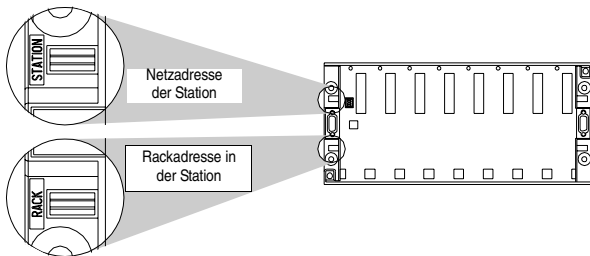
PS	00	01	02	03	04	05	06
07	08	09	10	11	12	13	14

Position des Etiketts



• Kennzeichnung des Racks

Jedes Rack wird mit einem Satz Stecketiketten ausgeliefert, die die Kennzeichnung der Rackadresse in der Station und der Netzadresse der Station ermöglichen.



Beschreibung

Die Versorgungsmodule TSX PSY ●●● liefern alle Spannungen, die für den Betrieb der auf den Racks TSX RKY ●●● installierten Module notwendig sind. Jedes Rack verfügt über seine eigene Stromversorgung.

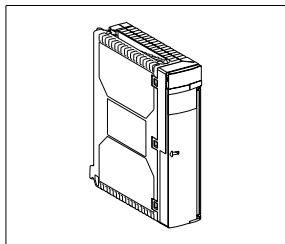
Um den unterschiedlichen Anforderungen zu genügen, werden mehrere Modultypen angeboten:

- Module in Standard- und doppelter Größe für 110-220V-Wechselstromnetze,
- nicht isolierte Module in Standard- und doppelter Größe für 24-V-Gleichstromnetze,
- isolierte Module in doppelter Größe für 24...48-V-Gleichstromnetze.

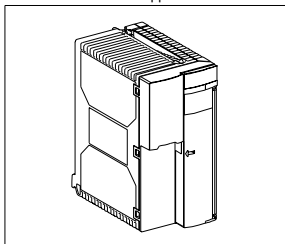
Außerdem verfügt jedes Modul über Hilfsfunktionen:

- Eine Anzeigebaugruppe,
- ein Alarmrelais,
- ein Batteriefach zur Aufnahme der Pufferbatterie für die RAM-Daten des Prozessors,
- ein Mini-Drucktaster, dessen Aktivierung eine Unterbrechung der Versorgung simuliert und so einen Warmstart der Applikation bewirkt,
- eine 24-VDC-Geberversorgung (nur auf den Modulen, die über ein Wechselstromnetz versorgt werden).

Module im Standardformat



Module doppelter Breite



Katalog

Modulformat	Spannung der Netzversorgung	Gesamte Nutzleistung	Geberversorgung	Bestellnummern
Standard	100...240VCA	26W	24VCC / 0.6A	TSX PSY 2600
doppelt	100...120VCA	50W	24VCC / 0.8A	TSX PSY 5500
	200...240VCA	77/85/100W (1)	24VCC / 1.6A	TSX PSY 8500
Standard	24 VCC	26W	-	TSX PSY 1610
doppelt	24 VCC	50W	-	TSX PSY 3610
doppelt	24...48 VCC	50W	-	TSX PSY 5520

(1) 77 W bei 60°C, 85 W bei 55°C, 100 W bei 55°C mit belüftetem Rack

Gerätebeschreibung

1 Anzeigebaugruppe, bestehend aus:

- Kontrollleuchte OK (grün), leuchtet bei normalem Betrieb,
- Kontrollleuchte BAT (rot), leuchtet bei defekter oder fehlender Batterie,
- Kontrollleuchte 24V (grün), leuchtet bei vorhandener und korrekter Geberspannung. Kontrollleuchte nur auf TSX PSY 2600/5500/8500 vorhanden.

2 Mini-Drucktaster RESET. Bewirkt einen Warmstart, wenn er aktiviert wird.

3 Batteriefach für Batterie zum Puffern des internen RAM des Prozessors.

4 Schutzabdeckung der Modulvorderseite.

5 Klemmleiste zum Anschluß:

- an das Versorgungsnetz,
- des Kontakts des Alarmrelais,
- der Geberspannung für die mit Wechselstrom versorgten Module TSX PSY 2600/5500/8500.

6 Öffnung zur Durchführung eines Kabelhalters.

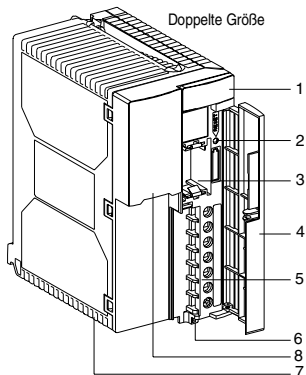
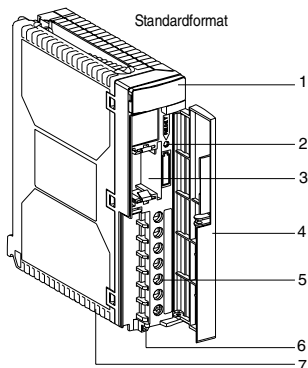
7 Sicherung, unter dem Modul gelegen, zum Absichern:

- der Spannung 24 VR auf dem nicht isolierten Versorgungsmodul TSX PSY 3610,
- des Primärkreises des mit Gleichstrom versorgten, nicht isolierten Versorgungsmoduls TSX PSY 1610.

Hinweis: Bei den Versorgungsmodulen TSX PSY 2600/5500/5520/8500 ist die Schutzsicherung des Primärkreises im Modul eingebaut und nicht zugänglich.

8 Spannungswahlschalter 110/220, nur bei Versorgungsmodul TSX PSY 5500/8500.

Bei Auslieferung ist dieser Schalter auf 220 V eingestellt.

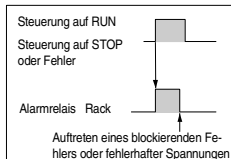


Hilfsfunktionen

• **Alarmrelais:** Dieses in jedem Versorgungsmodul vorhandene Relais besitzt einen potentialfreien Kontakt, der auf der Klemmleiste des Moduls zugänglich ist.

- Alarmrelais des Versorgungsmoduls auf dem Prozessorack (Rack 0):

Im Normalbetrieb (Steuerung auf RUN) ist das Relais aktiv und sein Kontakt geschlossen (Zustand 1). Bei jedem (Teil-)Stopp, bei blockierenden Fehlern, fehlerhaften Ausgangsspannungen oder Verlust der Netzspannung fällt das Relais ab, der Kontakt öffnet sich (Zustand 0).



Hinweis: Bei Verwendung eines Prozessors PCX 57 wird das Alarmrelais nicht verwaltet; es ist daher ständig geöffnet. Ist diese Funktion für den korrekten Ablauf der Installation unabdingbar, kann statt des Alarmrelais ein Relaisausgang in einem am BusX oder FIPIO-Bus gelegenen Modul verwendet werden. Dazu muß dieser Ausgang als Relaisausgang mit Fehlerwert 0 konfiguriert und zu Beginn der Ausführung des Applikationsprogramms im Zustand 1 initialisiert werden.

- Alarmrelais der Module auf den anderen Racks (Racks 1 bis 7):

In diesem Fall ist das Relais aktiv und sein Kontakt geschlossen (Zustand 1), wenn das Versorgungsmodul eingeschaltet ist und die Ausgangsspannungen korrekt sind. Bei Verlust der Netzspannung oder fehlerhaften Ausgangsspannungen fällt das Relais ab (Zustand 0).

Diese Betriebsarten ermöglichen den Einsatz dieser Kontakte in aktiven externen Sicherheitsschaltungen, beispielsweise zur Ansteuerung einer Stellgliedversorgung.

• **Pufferbatterie:** Sie ermöglicht die Sicherung des internen RAM des Prozessors TSX P57. Die Batterie wird zusammen mit dem Modul ausgeliefert und muß vom Bediener unter Berücksichtigung der Polarität eingesetzt werden.

-Kenndaten der Batterie: Lithium-Thyonicchlorid-Batterie, 3,6 V / 0,8 Ah, Größe 1 / 2AA.

-Bestellnummer der Ersatzbatterie: TSX PLP 01.

-Kontrolle des Ladezustands: Im Problemfall leuchtet die Kontrollleuchte BAT auf. In diesem Fall ist die Batterie sofort auszuwechseln.

-Pufferdauer einer Batterie:

Umgebungstemperatur ohne Betrieb		≤ 30°C	40°C	50°C	60°C
Pufferdauer	Steuerung ohne Spannung 12 Std./Tag	5 Jahre	3 Jahre	2 Jahre	1 an
	Steuerung ohne Spannung 1 Std./Tag	5 Jahre	5 Jahre	4,5 Jahre	4 ans

-Pufferdauer beim Auswechseln: Die Batterie muß entweder bei unter Spannung stehendem Modul oder sofort nach dem Abschalten ausgewechselt werden. Im letzteren Fall muß der Eingriff innerhalb einer begrenzten Zeit erfolgen, sonst kann es zu Datenverlust im RAM kommen.

Umgebungstemperatur beim Abschalten		20°C	30°C	40°C	50°C
Pufferdauer		2 St.	45 Min.	20 Min.	8 Min.

Hinweis: Bei einem Prozessor PCX 57 braucht keine Batterie in das Versorgungsmodul des Racks eingesetzt zu werden, das den Prozessor virtuell aufnimmt (Rack mit Adresse 0). Dieser Prozessortyp enthält eine integrierte Pufferbatterie für das interne RAM.

• **Anzeige:** 3 Kontrollleuchten (OK, BAT, 24V) auf den Modulen TSX PSY 2600/5500/8500 und 2 Kontrollleuchten (OK, BAT) auf den Modulen TSX PSY 1610/3610/5520.



-Kontrollleuchte OK (grün): leuchtet im normalen Betrieb; erloschen bei nicht mehr vorhandenen oder fehlerhaften Ausgangsspannungen,

-Kontrollleuchte BAT (rot): leuchtet bei fehlender, verbrauchter, nicht konformer oder falsch gepolter Batterie; erloschen bei normalem Betrieb,

-Kontrollleuchte 24V (grün): leuchtet im normalen Betrieb; erloschen bei fehlender 24-V-Geberversorgung.

• **Drucktaster RESET:** das Betätigen dieses Drucktasters (Drücken und Loslassen) führt zu einem Warmstart der Applikation.

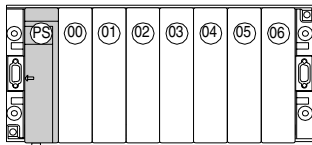
• **Geberversorgung:** verfügbar auf den Wechselstromversorgungen TSX PSY 2600/5500/8500. Sie ermöglicht die Versorgung der Geber mit 24 VDC.

Einbau / Montage

• Einbau

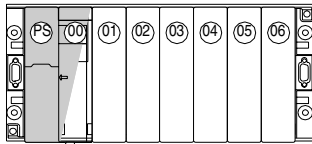
- Versorgungsmodule im Standardformat TSX PSY 2600/1610:

Sie werden in den ersten Steckplatz jedes Racks TSX RKY ●●● eingebaut und belegen die Position PS.



- Versorgungsmodule in doppelter Größe TSX PSY 3610/5500/5520/8500:

Sie werden in die ersten beiden Steckplätze jedes Racks TSX RKY ●●● eingebaut und belegen die Positionen PS und 00.



Hinweis: Die Versorgungsmodule sind mit einem Verriegelungssystem ausgestattet, das deren Einbau in andere als die oben genannten Steckplätze verhindert.

• **Montage:** (siehe Kapitel "Montage der Module" in diesem Dokument)

⚠ Beim Ein- oder Ausbau eines Versorgungsmoduls TSX PSY ●●● dürfen die externen Versorgungsleitungen keine Spannung führen.

Kenndaten

• Nicht isolierte Versorgungen für Gleichstromnetz

Bestellnr. der Module		TSX PSY 1610	TSX PSY 3610	
Primär	Nennspannungen	24 VCC	24 VCC	
	Grenzspannungen (1) (inkl. Welligkeit)	19,2...30 VCC (möglich bis zu 34 V während 1h / 24 h)		
	Aufgenommener Nennstrom	≤ 1,5 A à 24 V	≤ 2,7 A à 24 V	
	Erstmaliges Einschalten bei 25°C (2)	I Einschalten	≤ 100 A à 24 V	≤ 150 A
		I _t beim Einschalten	0,2 As à 24 V	0,5 As à 24 V
		I _t beim Einschalten	12,5 A ² s à 24 V	20 A ² s à 24 V
	Dauer akzeptierter Kurzeinbrüche	≤ 1 ms	≤ 1 ms	
Integrierter Schutz auf Eingang + (Sicherung unter dem Modul)	durch Sicherung 5x20, UL, träge, 3,5 A	nein		
Sekundär	Gesamtnutzleistung	30 W	50 W	
	5-VDC-Ausgang	Nennspannung	5 VCC	5,1 VCC
		Leistung	15 W	35 W
	24-VR-Ausgang (3) (24-V-Relais)	Nennspannung	U primär – 0,6V	U primär – 0,6V
		Leistung	15 W	19 W
Schutz der Ausgänge gegen (4)	Überlast/Kurzschluß/Überspannung			
Verlustleistung		10 W	15 W	
Normen		CEI 1131-2	CEI 1131-2	

- (1) Bei der Versorgung von Relaisausgangsmodulen ist der Spannungsbereich auf 21,6...26,4 V beschränkt.
- (2) Diese Werte sind bei der Dimensionierung des Schutzelements im Primärkreis der Versorgung zu berücksichtigen.
- (3) Ausgang 24 VDC für die Versorgung der Relais von Relaisausgangsmodulen.
- (4) Der Ausgang 24 VR ist durch eine Sicherung unter dem Modul geschützt (4 A, 5x20, Typ M).

• Isolierte Versorgungen für Gleichstromnetze (Fortsetzung)

Bestellnr.der Module		TSX PSY 5520	
Primär	Nennspannungen		24...48 VCC
	Grenzspannungen (inkl. Welligkeit)		19,2...60 VCC
	Aufgenommener Nennstrom		≤ 3 A à 24 V ≤ 1,5 A à 24 V
	Erstmaliges Einschalten bei 25°C (1)	I Einschalten	≤ 15 Aà 24 V ≤ 15 Aà 24 V
		I _t beim Einschalten	7 As à 24 V 6 As à 48 V
		I _{pt} beim Einschalten	50 A²s à 24 V 55 A²s à 48 V
	Dauer akzeptierter Kurzeinbrüche		≤ 1 ms
Integrierter Schutz auf Eingang +		interne Sicherung, nicht zugänglich	
Sekundär	Gesamtnutzleistung		50 W
	5-VDC-Ausgang	Nennspannung	5,1 VCC
		Leistung	35 W
	Sortie 24VR (2) (24V relais)	Nennspannung	24VCC
		Leistung	19 W
Schutz der Ausgänge gegen		Überlast/Kurzschluß/Überspannung	
Verlustleistung			20 W
Normen			CEI 1131-2
Isolierung	Durchschl.-festigkeit	primär/sekundär	2000V eff - 50/60 Hz - 1mn
		primär/Erde	2000V eff - 50/60 Hz - 1mn

(1) Diese Werte sind bei der Dimensionierung des Schutzelements im Primärkreis der Versorgung zu berücksichtigen.

(2) Ausgang 24 V --- für die Relaisversorgung der Relaisausgangsmodule.

• Kontakt des Alarmrelais

Grenz-Betriebsspannung		19...264VCA	10...30VCC		
Wechselstromlast	Normalspannungen	24 VCA	48 VCA	110 VCA	220 VCA
	Leistung bei ohmscher Last	50 VA	50 VA	110 VA	220 VA
	Leistung bei induktiver Last	50 VA	50 VA	110 VA	220 VA
Gleichstromlast	Normalspannungen	24 VCC			
	Leistung bei ohmscher oder induktiver Last	24W			
Isolierung	Kontakt/Erde	2000 Veff - 50/60 Hz - 1 mn			
In die Lastklemmen zu integrierender Schutz		RC oder MOV bei ~, Entladediode bei ---			

(1) möglich bis zu 34 VDC während 1 Stunde pro 24 Stunden

• Versorgungsungen für Wechselstromnetze

Bestellnr. der Module			TSX PSY 2600	TSX PSY 5500
Primär	Nennspannungen		100...240VCA	100...120/ 200...240VCA
	Grenzspannungen		85...264VCA	85...140/ 190...264VCA
	Nenn-/Grenzfrequenz		50-60/47-63Hz	
	Scheinleistung		50VA	
	Aufgenommener Nennstrom		$\leq 0,5 \text{ A à } 100 \text{ V}$ $\leq 0,3 \text{ A à } 240 \text{ V}$	$\leq 1,7 \text{ A à } 100 \text{ V}$ $\leq 0,5 \text{ A à } 240 \text{ V}$
	Erstmalig. Einschalten bei 25°C (1)	I Einschalten	$\leq 37 \text{ A à } 100 \text{ V}$ $\leq 75 \text{ A à } 240 \text{ V}$	$\leq 38 \text{ A à } 100 \text{ V}$ $\leq 38 \text{ A à } 100 \text{ V}$
		I _t beim Einschalten	0,034 As à 100 V 0,067 As à 240 V	0,11 As à 100 V 0,11 As à 240 V
		I _{∫t} beim Einschalten	0,63 A ² s à 100 V 2,6 A ² s à 240 V	4 A ² s à 100 V 2 A ² s à 240 V
	Höchstdauer Kurzeinbrüche		$\leq 10 \text{ ms}$	$\leq 10 \text{ ms}$
	Integrierter Schutz der Phase		interne Sicherung, nicht zugänglich	
Sekundär	Gesamtnutzleistung		26 W	50 W
	5-VDC- Ausgang	Nennspannung	5,1 VCC	5,1 VCC
		Leistung	25 W	35 W
	24-VR- Ausgang (2)	Nennspannung	24 VCC	24 VCC
		Leistung	15 W	19 W
	24-VC- Ausgang (3)	Nennspannung	24 VCC	24 VCC
		Leistung	12 W	19 W
Schutz der Ausgänge gegen Überlast/Kurzschluß/Überspannung				
Verlustleistung			10 W	20 W
Normen			CEI 1131-2	CEI 1131-2
Isolierung	Durchschl.- festigkeit	primär/sekundär	2000V eff - 50/60 Hz - 1mn	
		primär/Erde	2000V eff - 50/60 Hz - 1mn	

- (1) Diese Werte sind bei der Dimensionierung des Schutzelements im Primärkreis der Versorgung zu berücksichtigen.
 (2) Ausgang 24 VDC zur Relaisversorgung der Relaisausgangsmodule.
 (3) Ausgang 24 VDC für die Geberversorgung. Kann nicht parallel zu einer externen Versorgung geschaltet werden.

• Versorgungsungen für Wechselstromnetze (Fortsetzung)

Bestellnr.der Module		TSX PSY 8500	
Primär	Nennspannungen		100...120/200...240VCA
	Grenzspannungen		85...140/170...264VCA
	Nenn-/Grenzfrequenz		50-60/47-63Hz
	Scheinleistung		150VA
	Aufgenommener Nennstrom		≤ 1,4 A à 100 V ≤ 0,5 A à 240 V
	Erstmaliges Einschalten bei 25°C (1)	I Einschaltstrom	≤ 30 A à 100 V ≤ 60 A à 240 V
		It beim Einschalten	0,15 As à 100 V 0,15 As à 240 V
		I _{It} beim Einschalten	15 A ² s à 100 V 8 A ² s à 240 V
Höchstdauer Kurzeinbrüche		≤ 10 ms	
Integrierter Schutz der Phase		interne Sicherung, nicht zugänglich	
Sekundär	Gesamtnutzleistung		77/85/100 W (2)
	5-VDC-Ausgang	Nennspannung	5,1 VCC
		Leistung	75 W
	24-VR-Ausgang (3)	Nennspannung	nicht vorhanden
		Leistung	nicht vorhanden
	24-VC-Ausgang (4)	Nennspannung	24 VCC
		Leistung	38 W
Schutz der Ausgänge gegen		Überlast/Kurzschluß/Überspannung	
Verlustleistung		20 W	
Normen		CEI 1131-2	
Isolierung	Durchschl.-festigkeit	primär/sekundär	2000V eff - 50/60 Hz - 1mn
		primär/Erde	2000V eff - 50/60 Hz - 1mn

- (1) Diese Werte sind bei der Dimensionierung des Schutzelements im Primärkreis der Versorgung zu berücksichtigen.
- (2) 77 W bei 60°C, 85 W bei 60°C, 100 W bei 55°C: Rack mit Ventilator modul TSX FAN belüftet.
- (3) Ausgang 24 VDC mit dieser Versorgung nicht verfügbar. Die Montage der Relaisausgangsmodule ist somit auf Racks mit diesem Versorgungsmodul nicht möglich.
- (4) Ausgang 24 VDC für die Geberversorgung. Kann nicht parallel zu einer externen Versorgung geschaltet werden.

• Betriebsbedingungen der Steuerungen Premium

Betrieb

Normale Betriebstemperatur	0°C..60°C
Relative Luftfeuchtigkeit	10% à 95% (ohne Kondensatbildung)
Höhenlage	0 à 2000 m

Lagerung

Lagertemperatur	- 25°C à + 70°C
Relative Luftfeuchtigkeit	5% à 95° (ohne Kondensatbildung)

Anschlußvorschriften

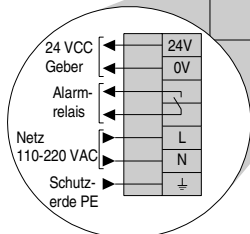
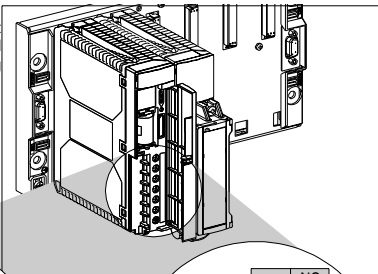
- **Anschlüsse:** Die Klemmleiste der Versorgungsmodule ist mit unverlierbaren Schrauben ausgestattet, die den Anschluß von 1 Draht mit maximal 2,5 mm² oder 2 Drähten mit maximal 1,5 mm² Querschnitt ermöglichen. Die Drähte werden senkrecht nach unten geführt und können mit einer Kabelschelle befestigt werden. Bei Gleichstromversorgungen ist die Länge des Kabels zum Netzanschluß zu begrenzen, um mögliche Leitungsverluste auszuschließen (siehe unten).

Bestellnummern Module	Kabellänge
TSX PSY 1610	30 m (60 m hin- und zurück) mit 2,5 mm ² -Kupferdraht 20 m (40 m hin- und zurück) mit 1,5 mm ² -Kupferdraht
TSX PSY 3610/5520	15 m (30 m hin- und zurück) mit 2,5 mm ² -Kupferdraht 10 m (20 m hin- und zurück) mit 1,5 mm ² -Kupferdraht

- **Anzugs-Drehmoment der Befestigungsschrauben:** max. 0,8 Nm

• **Schutz:** Der Steuerungsstation ist eine Vorrichtung zum Schutz und Trennen der Versorgung vorzuschalten.

Hinweis: Da die Gleichstromversorgungen einen hohen Einschaltstrom haben, wird davon abgeraten, diese in Gleichstromnetzen mit einer Feedback-Strombegrenzung (fold back) einzusetzen.

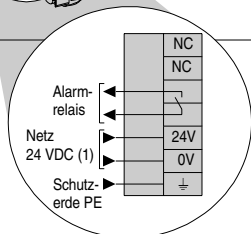


Versorgung für Wechselstromnetz:

TSX PSY 2600/5500/8500

⚠ TSX PSY 5500/8500:

Den Spannungswahlschalter je nach der verfügbaren Netzspannung auf 110 oder 220 VAC

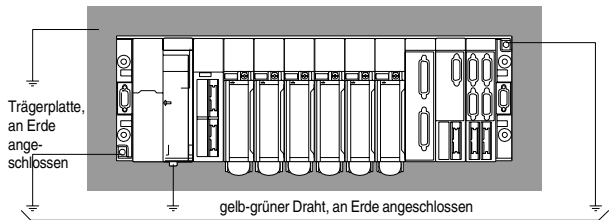


Versorgung für Gleichstromnetz:

TSX PSY 1610/3610/5520

(1) 24...48 VDC für Versorgung
TSX PSY 5520.

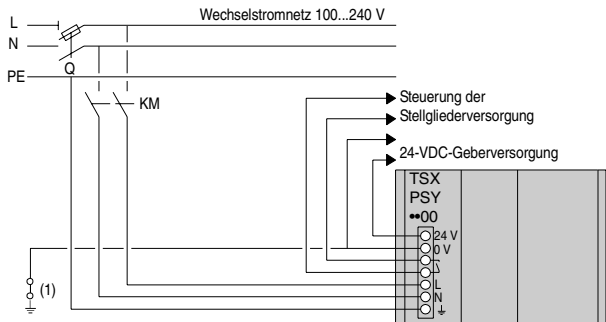
Erdung der Racks



Wichtig : Die interne 0-V-Leitung ist an die Masse angeschlossen. Die Masse wiederum muß an die Erde angeschlossen sein.

Anschluß der Versorgungsmodule

- Module TSX PSY 2600 / 5500/8500



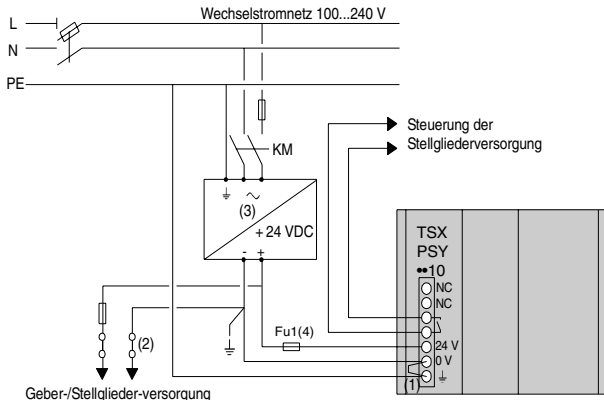
Q: Hauptschalter.

KM: Leitungs- oder Schutzschalter.

Diese Versorgungsmodule sind werkseitig mit einer Schutzsicherung versehen, die in Reihe mit dem Eingang L geschaltet ist. Die Sicherung befindet sich im Modulinnern und ist nicht zugänglich.

(1) Erdungstrennung zur Suche nach einem Erdungsfehler.

• Nicht isolierte Versorgungsmodule TSX PSY 1610 / 3610

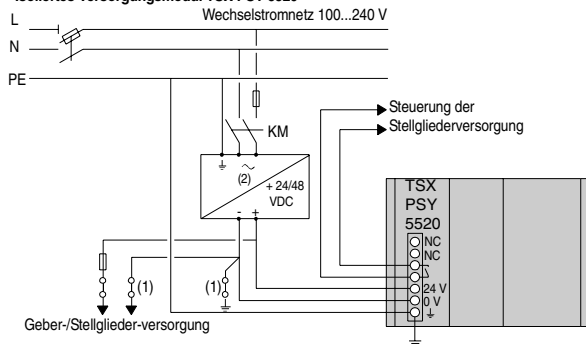


Q: Hauptschalter

KM: Leitungs- oder Schutzschalter

- (1) Externer Shunt, mit dem Versorgungsmodul ausgeliefert.
- (2) Erdungstrennung zur Suche nach einem Erdungsfehler. In diesem Fall ist es erforderlich, die Versorgungsleitungen abzutrennen, um das Netz von der Masse zu trennen.
- (3) Möglichkeit zum Einsatz einer Prozeßversorgung TSX SUP 1●●1
- (4) Externe Schutzsicherung (4A, träge), nur bei Modul TSX PSY 3610. Das Modul TSX PSY 1610 ist auf der Unterseite mit einer Schutzsicherung ausgestattet (3,5 A, 5x20, UL, träge), die sich in Reihe mit dem 24-V-Eingang L befindet.

• Isoliertes Versorgungsmodul TSX PSY 5520



Q:Hauptschalter

KM:Leitungs- oder Schutzschalter

(1) Erdungstrennung zur Suche nach einem Erdungsfehler.

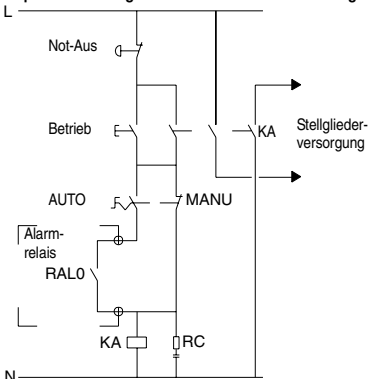
(2) Möglichkeit zum Einsatz einer Prozeßversorgung TSX SUP 1●●1

Das Modul TSX PSY 5520 ist mit einer Schutzsicherung versehen, die in Reihe mit dem 24-V-Eingang L geschaltet ist. Die Sicherung befindet sich im Modulinnern und ist nicht zugänglich.

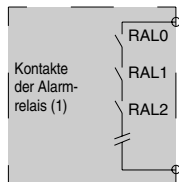
Anschluß der Alarmmodule

Steuerung der Geber- und Stellgliederversorgungen

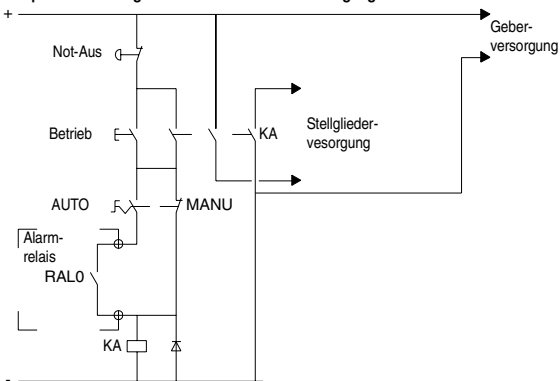
• Beispiel 1: Steuerungsstation mit Wechselstromversorgung



(1)Reihenschaltung der Kontakte aller Alarmrelais (RAL0, RAL1, RAL2, ...)



• Beispiel 2: Steuerungsstation mit Gleichstromversorgung



Beschreibung

Das bestehende Angebot umfasst eine breite Palette verschiedener Prozessoren mit unterschiedlichen Leistungsdaten und immer größerer Kapazität, wodurch den unterschiedlichen Anforderungen aller Benutzer Rechnung getragen wird.

Die TSX 57-Prozessoren können in Racks des Typs TSX RKY** .

Die TSX-Prozessoren ermöglichen die Steuerung der auf einem Rack befindlichen oder auf mehrere Racks verteilten und über den BusX verbundenen digitalen Ein-/Ausgangsmodule, analogen Module und applikationsspezifischen Module (Zähler, Achsensteuerung, Schrittmotorsteuerung, Kommunikation usw.) einer Steuerungsstation.

Jeder Prozessor umfasst:

- ein internes gepuffertes RAM, welches das Applikationsprogramm aufnehmen und durch eine PCMCIA-Speichererweiterungskarte (RAM oder FLASH EPROM) erweitert werden kann,
- eine Kalenderfunktion,
- zwei Terminalsteckbuchsen (TER und AUX) (nur TER für TSX P57 554/5634), die den gleichzeitigen Anschluss mehrerer Geräte ermöglicht (Programmiergerät, Bedienerdialogterminal usw.),
- einen Steckplatz für eine PCMCIA-Kommunikationskarte (Modbus+, FIPWAY, FIPIO Agent, UNITELWAY, serielle Verbindungen),
- eine FIPIO-Verbindung (Master) bei TSX P57 *5* und TSX P57 *8**,
- eine Ethernet-Verbindung bei TSX P57 **23 und TSX P57**34.
- eine USB-Verbindung über TSX P57 554/5634.

Je nach seiner Bestellreferenz kann ein Premium-Prozessor mit der Programmierumgebung PL7 oder Unity Pro konfiguriert und programmiert werden.

Generell werden alle Prozessoren, deren Bestellreferenz mit "3" endet, unter PL7 programmiert.

Prozessoren, deren Bestellreferenz mit "4" endet, werden unter Unity Pro programmiert. Einige unter PL7 programmierten Prozessoren können jedoch nachgerüstet werden, um unter Unity Pro programmiert zu werden.

Unity Pro stellt eine Software-Programmierungsumgebung der neuen Generation dar, die gegenüber PL7 erweiterte Programmierungs- und Betriebsdienste bietet:

Eine zusätzliche Sprache: das Funktionsblockdiagramm (FBD).

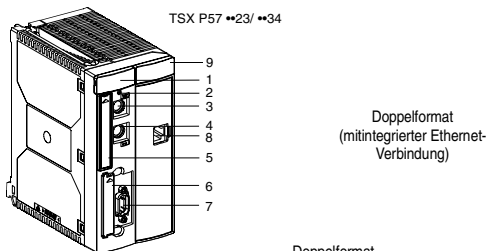
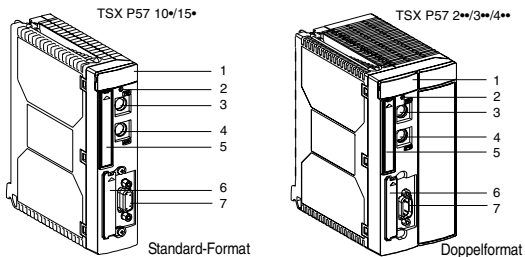
Die Möglichkeit zur Erstellung von ineinander verschachtelten Strukturtypen (DDTs).

Die Möglichkeit zur Verschachtelung der DFBs.

Und zusätzliche Diagnosedienste wie die Suche nach den Gründen für einen Fehler in der Programmlogik.

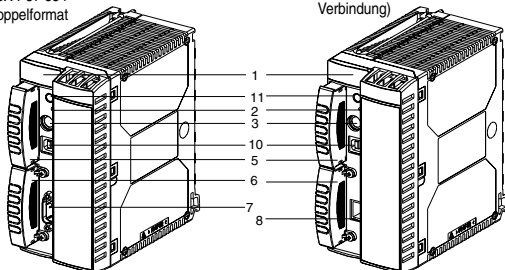
Beschreibung der Hardware

DEUTSCH



TSX P57 554
Doppelformat

Doppelformat
(mit integrierter Ethernet-Verbindung)



- 1 Anzeigebaustein mit 4 oder 5 LEDs (je nach Modell):
 - LEDs RUN, ERR, I/O, TER bei allen Prozessoren
 - LED FIP bei Prozessoren mit integrierter FIPIO-Verbindung (Master) (TSX P57 •5• und TSX P57 •8••)
 - LED STS, ACT bei Prozessoren mit Ethernet Verbindung ((TSX P57 •63• and TSX P57 •8••).
- 2 Mini-Drucktaster RESET, dessen Betätigung zu einem Kaltstart der Steuerung führt.
 - Prozessor im normalen Betrieb: Kaltstart in Modus STOP oder RUN, je nach dem in der Konfiguration definierten Verfahren.
 - Prozessor im Fehlerzustand: forcierter Start im Modus STOP.
- 3 PG-Anschluss TER zum Anschluss eines Peripheriegeräts, das über eine eigene Versorgung verfügen kann (Programmier- oder Einstellgerät, Bedienerdialogterminal, Drucker usw.).
- 4 Steckbuchse AUX für Bedienerdialogterminal zum Anschluss eines Peripheriegeräts, das über eine eigene Versorgung verfügt (Programmier- oder Einstellgerät, Bedienerdialogterminal, Drucker usw.).
- 5 Steckplatz für eine Speichererweiterungskarte (PCMCIA, Typ 1).
 - ! Ist keine Speichererweiterungskarte vorhanden, befindet sich an diesem Steckplatz eine Abdeckung, die nicht entfernt werden darf. Das Entfernen der Abdeckung führt zu einem Betriebsausfall des Prozessors.
- 6 Steckplatz für eine Kommunikationskarte im PCMCIA-Format, Typ 3, zum Anschluss eines Kommunikationskanals an den Prozessor. Ist keine Kommunikationskarte vorhanden, befindet sich an diesem Steckplatz eine Abdeckung.
- 7 9-poliger SUB-D-Steckverbinder zum Anschluss des FIPIO-Bus (Master). Dieser Steckverbinder steht nur bei den Prozessoren TSX P57 •53 und TSX P57 •823 zur Verfügung.
- 8 RJ 45-Steckverbinder zum Anschluss an das Ethernet-Netz. Dieser Steckverbinder steht nur bei die TSX P57 ••23, TSX P57 ••34 und TSX P57 554-Prozessoren zur Verfügung.
- 9 Anzeigebaustein des ETY PORT mit 6 LEDs:
 - LEDs RUN (grün), ERR (rot), COL (rot), STS (gelb), TX (gelb) und RX (gelb).
- 10 USB-Port. Sie ermöglicht den Anschluss eines Programmiergerätes. Dieser Steckverbinder ist nur bei den Prozessoren TSX P57 554/5634 vorhanden.
- 11 Extrahieren Sie Befehl Taste für PCMCIA Karte SRAM Aktenspeicherung .
 - Diese Taste muß runtergedrückt werden, bevor man die Karte entfernt. Der Status des Befehls wird durch eine LED angezeigt.

Hinweis: Der Steckverbinder (TER) und der Steckverbinder (AUX) bieten standardmäßig den Kommunikationsmodus Uni-Telway Master mit 19.200 Baud und per Konfiguration den Modus Uni-Telway Slave oder den ASCII-Zeichenmodus.

Einbau / Montage

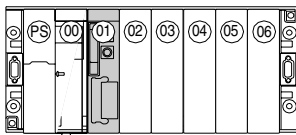
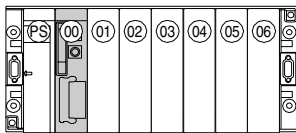
• Einbau eines Prozessormoduls im Standard-Format

Das Prozessormodul TSX P57 im Standard-Format wird auf einem Rack des Typs TSX RKY ** an Position 00 oder 01 eingebaut. Die Position ist abhängig von der verwendeten Versorgungsbaugruppe (Standard-Format oder Doppelformat):

- Wenn das Rack mit einer Versorgungsbaugruppe im Standard-Format des Typs TSX PSY 1610/2600 ausgestattet ist, ist der Prozessor an Position 00 (bevorzugte Position) oder an Position 01 einzubauen. Bei Einbau an Position 01 ist die Position 00 nicht verfügbar.

- Wenn das Rack mit einer Versorgungsbaugruppe im Doppelformat des Typs TSX PSY 3610/5500/5520, 8500 ausgestattet ist, ist der Prozessor an Position 01 einzubauen.

! Bei Montage des Prozessormoduls auf dem Rack muss unbedingt die SPANNUNGSVERSORGUNG des Racks UNTERBROCHEN sein.



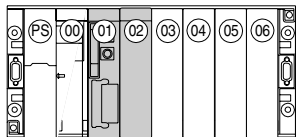
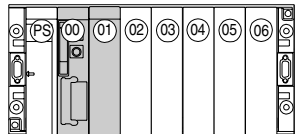
• Einbau eines Prozessormoduls im Doppelformat

Das Prozessormodul TSX P57 im Doppelformat ist auf einem Rack des Typs TSX RKY ** an Position 00 und 01 oder 01 und 02 einzubauen. Die Position ist abhängig von der verwendeten Versorgungsbaugruppe (Standard-Format oder Doppelformat):

- Wenn das Rack mit einer Versorgungsbaugruppe im Standard-Format des Typs TSX PSY 1610/2600 ausgestattet ist, ist der Prozessor an Position 00 und 01 (bevorzugte Position) oder an Position 01 und 02 einzubauen. Bei Einbau an Position 01 und 02 ist die Position 00 nicht verfügbar.

- Wenn das Rack mit einer Versorgungsbaugruppe im Doppelformat des Typs TSX PSY 3610/5500/5520, 8500 ausgestattet ist, ist der Prozessor an Position 01 und 02 einzubauen.

! Wenn das Rack mit einer Versorgungsbaugruppe im Doppelformat des Typs TSX PSY 3610/5500/5520, 8500 ausgestattet ist, ist der Prozessor an Position 01 und 02 einzubauen. Informationen zum Einbau der Module in das Rack sind der Bedienungsanleitung der Racks zu entnehmen.



Vorsichtsmaßnahmen

! Wird ein TSX 57-Prozessor durch einen anderen, nicht leeren Prozessor ersetzt (einen bereits programmierten Prozessor, der eine Applikation enthält), ist der Strom in allen Steuerungsteilen der Steuerungsstation auszuschalten.

Vor dem Wiedereinschalten der Spannung auf allen Steuerungsteilen ist zu überprüfen, ob der Prozessor die gewünschte Applikation enthält.

! Behandeln Sie die Prozessoren TSXP57 0244/1X4 aufgrund der erhöhten Temperatur (85 °C) ihres Kühlers mit äußerster Vorsicht.

! Das neben den Prozessoren TSX P57 0244/104/154 positionierte Modul darf keine Verlustleistung von mehr als:

10 W für eine Umgebungstemperatur von 60 °C und von

16 W für eine Umgebungstemperatur von 25 °C aufweisen.

Im gegenteiligen Fall muss es in einem anderen Steckplatz des Racks installiert werden.

Hilfsfunktionen

• PG-Anschluss und Hilfsanschluss

Zwei 8-polige Mini-DIN-Steckbuchsen (nicht isolierte RS-485-Verbindung) ermöglichen es, die folgenden Elemente anzuschließen:

- TER: Ein FTX-Terminal oder einen kompatiblen PC oder Verbindung der Steuerung mit dem UNI-TELWAY-Bus über das Adaptermodul TSX P ACC 01. Dieser Anschluss liefert die 5-V-Versorgung des angeschlossenen Peripheriegeräts.
- AUX: Ein Bedienerdialogterminal oder einen Drucker. Dieser Anschluss liefert keine 5-V-Versorgung.

Standardmäßig ist bei den Steckbuchsen TER und AUX der Kommunikationsmodus UNI-TELWAY (Master) mit 19200 Baud eingestellt. Andere Konfigurationsmöglichkeiten: UNI-TELWAY-Modus (Slave) oder ASCII-Zeichenmodus.

Die für diese Steckverbinder geeigneten Kabel sind die Kabel TSX PCX 1031 und TSX PCX 3030.

USB-Schnittstelle

1 Steckverbinder der Serie "B" ermöglicht den Anschluss eines Programmiergeräts.

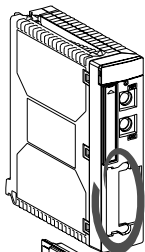
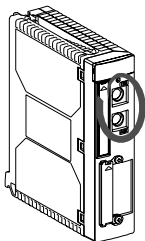
Die USB-Schnittstelle verwendet das USB-Protokoll V1.1 mit einer Baudrate von 12 Mbits/s.

Das Verbindungskabel ist das Kabel XCA USB 033.

• Steckplatz für PCMCIA-Kommunikationskarte

Dieser Steckplatz auf der Vorderseite des Prozessors kann eine Kommunikationskarte im PCMCIA-Format (Typ 3) aufnehmen:

- TSX SCP 111: RS 232 D, Multiprotokoll
- TSX SCP 112: 20-mA-Stromschleife, Multiprotokoll
- TSX SCP 114: RS 485, Multiprotokoll, kompatibel mitRS 422 (isoliert)
- TSX MBP 100: Modbus +
- TSX FPP 10 / 20: FIPIO Agent / FIPWAY
- TSX FPP 200: FIPWAY
- FCS SCP 111: spezielles Protokoll für RS 232
- FCS SCP 114: spezielles Protokoll für RS 485
- TSX CPP 100/110: CAN OPEN



PCMCIA-Kommunikationskarte

! Beim Einsetzen/Herausnehmen einer Kommunikationskarte muss der Prozessor unbedingt SPANNUNGSFREI sein.

• Internes RAM

Dieser Speicher nimmt die Applikation auf (Daten, Programme und Konstanten); seine Kapazität hängt vom Prozessortyp ab.

Ist die Applikation größer als das RAM, kann der Speicher mit einer PCMCIA-Karte erweitert werden. In diesem Fall werden das Programm und die Konstanten auf der PCMCIA-Karte und die Daten im internen RAM gespeichert.

Das interne RAM kann mittels einer optionalen, an der Versorgungsbaugruppe angebrachten Batterie (TSX PLP 01) gepuffert werden. **Die Pufferung der Applikation ist nur wirksam, wenn die Versorgungsbaugruppe und das Prozessormodul auf dem Rack verbleiben.** (Siehe Pufferdauer des internen RAM.)

(1) Wenn sich die Applikation im internen RAM befindet, ist die Speicherkapazität auf 96 KWorte beschränkt.

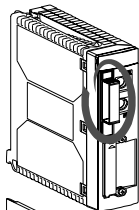
Wenn sich die Applikation auf der PCMCIA-Karte befindet, vergrößert sich die Speicherkapazität des internen RAM auf 176 KWorte.

• Steckplatz für PCMCIA-Speicherkarte

Dieser Steckplatz auf der Vorderseite des Prozessors kann eine optionale Speicherkarte im PCMCIA-Format (Typ 1) aufnehmen. **Ist keine Karte vorhanden, darf die Abdeckung des Steckplatzes keinesfalls entfernt werden.**

Drei Kartenfamilien werden angeboten:

- **Standardspeicherkarten:** Hiervon werden zwei Typen angeboten, nämlich:
 - **Gepuffertes RAM** für die Erstellungs- und Testphase des Applikationsprogramms, wobei die Sicherung über eine auswechselbare Batterie auf der Karte erfolgt,
 - **FLASH EPROM**, wenn das Applikationsprogramm betriebsbereit ist (nach Abschluss des Programmtests).
- **BACKUP-Karte** zum Laden des Programms in das interne RAM ohne Verwendung eines Terminals. Auf einer solchen Karte muss das Applikationsprogramm mit einer Größe < 32 KWorte zuvor geladen werden.



Speicherkarte

- Speicherkarte vom Typ Applikation + Dateien

Sie verfügt neben dem herkömmlichen Applikationsspeicherbereich über

- einen Dateibereich zur Archivierung der Daten für jedes einzelne Programm,
- einen Bereich zur Archivierung der Symboldatenbank der Applikation. Diese ist komprimiert und belegt daher nur den Bereich, der ihr zugewiesen ist. Dieser Bereich ist nur bei bestimmten Karten verfügbar.

Es werden zwei verschiedene Speicherkarten angeboten:

- Speichererweiterungskarte Anwendung + Dateien des Typs gesicherter RAM. Der Speicher wird durch eine auswechselbare Batterie gesichert, die in die Speicherkarte integriert ist.
- Speichererweiterungskarte (Anwendung + Dateien) des Typs Flash EPROM. In diesem Fall befindet sich der Datenspeicherbereich im gesicherten RAM, was voraussetzt, dass dieser Kartentyp mit einer Pufferbatterie ausgestattet ist.

! Das Einsetzen/Herausnehmen einer Speicherkarte kann UNTER SPANNUNG erfolgen. (Dies bewirkt einen Kaltstart.) Eine Speicherkarte ist nur dann einsatzfähig, wenn Sie mit einem Greifer ausgestattet ist. Enthält das in der PCMCIA-Speicherkarte enthaltene Programm die Option RUN AUTO, startet der Prozessor nach Einstecken der Karte automatisch im Modus RUN.

Bestellnummern der PCMCIA-Speichererweiterungskarten des Typs Standard und Backup (kompatible Karten PL7) :

Bestellnummern	Typ	Kapazität	Kompatibilität der TSX P57-Prozessoren			
			P57 1•3	P57 2•3	P57 3•3	P57 453
				P57 2•23	P57 3623	P57 4823
TSX MRP 032P	RAM	32 K16	Ja	Ja	Ja	Ja
TSX MRP 064P	RAM	64 K16	Ja	Ja	Ja	Ja
TSX MRP 0128P	RAM	128 K16	Nein	Ja	Ja	Ja
TSX MRP 0256P	RAM	256 K16	Nein	Ja	Ja	Ja
TSX MFP 032P	FLASH EPROM	32 K16	Ja	Ja	Ja	Ja
TSX MFP 064P	FLASH EPROM	64 K16	Ja	Ja	Ja	Ja
TSX MFP 0128P	FLASH EPROM	128 K16	Nein	Ja	Ja	Ja
TSX MFP BAK032P	RAM/Backup	32 K16	Ja	Ja	Ja	Ja

Bestellnummern der PCMCIA-Speichererweiterungskarten des Typs Standard und backup (kompatible Karten Unity Pro):

Bestellnummern	Typ/Kapazität	Data	Maximale, von den Prozessoren unterstützte Speicherkapazität (K8 = Kilobyte)					
			TSX 57 0244	TSX 57 1•4	TSX 57 2•4	TSX 57 3•4	TSX 57 4•4	TSX 57 5•4
TSX MRPP 128K	RAM/128K8	0	Begrenzt auf 128K8	Gesamt	Gesamt	Gesamt	Gesamt	-
TSX MRPP 224K	RAM/224K8	0	Begrenzt auf 128K8	Gesamt	Gesamt	Gesamt	Gesamt	-
TSX MRPP 384K	RAM/384K8	0	Begrenzt auf 128K8	Begrenzt auf 224K8	Gesamt	Gesamt	Gesamt	-

TSX MFPP 128K	FLASH EPROM/ 128K8	0	Begrenzt auf 128K8	Gesamt	Gesamt	Gesamt	Gesamt	-
TSX MFPP 224K	FLASH EPROM / 224K8	0	Begrenzt auf 128K8	Gesamt	Gesamt	Gesamt	Gesamt	-
TSX MFPP 384K	FLASH EPROM/ 384K8	0	Begrenzt auf 128K8	Begrenzt auf 224K8	Gesamt	Gesamt	Gesamt	-
TSX MFPP 512K	FLASH EPROM/ 512K8	0	Begrenzt auf 128K8	Begrenzt auf 224K8	Gesamt	Gesamt	Gesamt	Gesamt
TSX MFPP 001M	FLASH EPROM/ 1024K8	0	Begrenzt auf 128K8	Begrenzt auf 224K8	Begrenzt auf 768K8	Gesamt	Gesamt	Gesamt
TSX MFPP 002M	FLASH EPROM/ 2048K8	0	-	Begrenzt auf 224K8	Begrenzt auf 768K8	Gesamt	Gesamt	Gesamt
TSX MFPP 004M	FLASH EPROM/ 4096K8	0	-	Begrenzt auf 768K8	Begrenzt auf 1792K8	Begrenzt auf 2048K8	Gesamt	Gesamt
TSX MFP B 096K	RAM/Backup	96 K8	Begrenzt auf 96K8	Gesamt	Gesamt	Gesamt	Gesamt	Gesamt

Hinweis: Alle PCMCIA-Karten können in jeden beliebigen Prozessor eingesetzt werden, mit Ausnahmen der Prozessoren TSX P57 554/5634, die nicht für die Aufnahme der kleinen Karten TSX MRPP128/224/384K und TSX MFPP128/224/384K geeignet sind.

Die nutzbare Anwendungsgröße ist entsprechend den Eigenschaften des Prozessors begrenzt.

Bestellnummern der Speicherkarten des Typs Applikation und Datei oder Symbol (kompatible Karten PL7) :

Bestellnr.	Typ / Kapazität			Kompatibilität der TSX P57-Prozessoren			
	Bereich Applikation	Bereich Datei (RAM)	Bereich Symbol (RAM)	P57 1•3	P57 2•3 P57 2•23	P57 3•3 P57 3623	P57 453 P57 4823
TSX MRP 232P	RAM/32 K16	128 K16	-	Ja	Ja	Ja	Ja
TSX MRP 264P	RAM/64 K16	128 K16	-	Ja	Ja	Ja	Ja
TSX MRP 2128P	RAM/128 K16	128 K16	128 K16	Nein	Ja	Ja	Ja
TSX MRP 3256P	RAM/256 K16	640 K16	128 K16	Nein	Ja	Ja	Ja
TSX MRP 3384P	RAM/384 K16	640 K16	-	Nein	Ja	Ja	Ja
TSX MRP 0512P	RAM/512 K16	-	256 K16	Nein	Ja	Ja	Ja

TSX MRPC007M	RAM/ 960K16	384 K16	640 K16	Nein	Nein	Nein	Ja (*)
TSX MFP 232P	FLASH/ EPROM 32 K16	128 K16	-	Ja	Ja	Ja	Ja
TSX MFP 232P	FLASH/ EPROM 32 K16	128 K16	-	Ja	Ja	Ja	Ja

(*) Beschränkte Nutzung

! Beim TSX MRPC 007M ist der Applikationsbereich von 960K16 auf 2*480K16 verteilt:

- 1 480K16 für den ausführbaren Code,
- 1 480K16 für die Kommentare und Grafikinformatoren.

Bestellnummern der Speichererweiterungskarten des Typs Anwendung + Dateien (kompatible Karten Unity Pro):

Réf.	Typ	Kapazität		Maximale, von den Prozessoren unterstützte Speicherkapazität (K8 = Kilobyte) (1)					
		Appl.	Datei	TSX 57 0244	TSX 57 1•4	TSX 57 2•4	TSX 57 3•4	TSX 57 4•4	TSX 57 5•4
TSX MRPC 448K (2)	RAM	448K8	448K8	-	Begrenzt auf 224/ 256K	Gesamt	Gesamt	Gesamt	-
		96 bis 448K8	0 bis 352K8						
TSX MRPC 768K (2)	RAM	768K8	768K8	-	Begrenzt auf 224/ 256K	Gesamt	Gesamt	Gesamt	Gesamt
		192 bis 768K8	0 bis 576K8						
TSX MRPC 001M (2)	RAM	1024K8	1024K8	-	Begrenzt auf 224/ 256K	Begrenzt auf 768/ 832K	Gesamt	Gesamt	Gesamt
		192 bis 1024K8	0 bis 832K8						
TSX MRPC 001M7 (2)	RAM	1024K8	1024K8	-	Begrenzt auf 224/ 256K	Begrenzt auf 768/ 832K	Gesamt	Gesamt	Gesamt
		192 bis 1024K8	0 bis 832K8						
TSX MRPC 002M (2)	RAM	2048K8	2048K8	-	Begrenzt auf 224/ 256K	Begrenzt auf 768/ 2880K	Begrenzt auf 1792/ 2880K	Gesamt	Gesamt
		192 bis 2048K8	0 bis 1856K8						
TSX MRPC 003M (2)	RAM	3072K8	3072K8	-	Begrenzt auf 224/ 256K	Begrenzt auf 768/ 2880K	Begrenzt auf 1792/ 2880K	Begrenzt auf 2048/ 2880K	Gesamt
		192 bis 3072K8	0 bis 2880K8						
TSX MRPC 007M (2)	RAM	7168K8	7168K8	-	Begrenzt auf 224/ 256K	Begrenzt auf 768/ 2880K	Begrenzt auf 1792/ 2880K	Begrenzt auf 2048/ 6976K	Begrenzt auf 4096/ 6976K
		192 bis 7168K8	0 bis 6976K8						

TSX MCPC 224K	Flash EPROM	224K8	256K8	Begrenzt auf 128/ 256K	Gesamt	Gesamt	Gesamt	Gesamt	-
TSX MCPC 512K	Flash EPROM	512K8	512K8	Begrenzt auf 128/ 256K	Begrenzt auf 224/ 256K	Gesamt	Gesamt	Gesamt	Gesamt
TSX MCPC 002M	Flash EPROM	2048K8	1024K8	Begrenzt auf 128/ 256K	Begrenzt auf 224/ 256K	Begrenzt auf 768/ 1024K	Begrenzt auf 1792/ 1024K	Gesamt	Gesamt

- (1) Benennung der Grenzwerte: Die erste Zahl gibt den Grenzwert des Anwendungsbereichs an, die zweite den Grenzwert des Datenbereichs: Beispielsweise bedeutet 224/256K, dass der Anwendungsbereich auf 224K8 und der Datenbereich auf 256K8 begrenzt ist.
- (2) PCMCIA, die über einen Anwendungs- und Dateispeicherbereich mit variabler und nicht fester Kapazität verfügen.

Alle PCMCIA-Karten können in jeden beliebigen Prozessor eingesetzt werden, mit Ausnahmen der Prozessoren TSX P57 554/5634, die nicht für die Aufnahme der kleinen Karten TSX MCPC 224K und TSX MRPC 448K geeignet sind. Die nutzbare Anwendungsgröße ist entsprechend den Eigenschaften der Prozessoren begrenzt.

Bestellnummern der Datei-Speicherkarten

Bestellnummern	Typ / Kapazität	Kompatibilität der TSX P57-Prozessoren		
	Bereich Datei (RAM)	P57 2*3 P57 2*23	P57 3*3 P57 3*23	P57 4*3 P57 4*23
TSX MRP DS 2048 P	2048 K16	Ja	Ja	Ja

Bestellnummer der Erweiterungskarten des Typs Daten oder Dateien ohne Anwendung

Bestellnummern	Typ	Kapazität		Maximale, von den Prozessoren unterstützte Speicherkapazität (K8 = Kilobyte)				
	Typ	Anwend.	Datei- bereich (RAM)	TSX 57 0244/1*4	TSX 57 2*4	TSX 57 3*4	TSX 57 4*4	TSX 57 5*4
TSX MRPF 004M	RAM	0	4096K8	-	4096K8	4096K8	4096K8	4096K8
TSX MRPF 008M	RAM	0	8192K8	-	8192K8	8192K8	8192K8	8192K8

Alle PCMCIA-Karten können in jeden beliebigen Prozessor eingesetzt werden, mit Ausnahme der Prozessoren TSX P57 0244 und 1•4.

• RESET-Taster

Das Betätigen dieses Mini-Drucktasters führt zu einem Kaltstart der Applikation:

- Prozessor im Betrieb: Neustart mit STOP oder RUN je nach Konfiguration
- Prozessor im Fehlerzustand: erzwungener Neustart mit STOP

• Funktion RUN / STOP

Diese Funktion ermöglicht das Starten oder Anhalten des Applikationsprogramms von einem Programmiergerät aus oder über einen bei der Konfiguration definierten digitalen Eingang. Das Versetzen in die Betriebsart STOP von diesem physischen Eingang aus hat Vorrang gegenüber dem Aufrufen der Betriebsart RUN über ein Terminal.

• Kalender

Die im Prozessor integrierte Kalenderfunktion verwaltet das aktuelle Datum und die aktuelle Zeit sowie Datum und Zeit des letzten Anhaltens der Applikation. Diese Funktion wird auch bei spannungsfreiem Prozessor wahrgenommen, sofern dieser mit der Versorgungsbaugruppe, die mit einer Pufferbatterie ausgestattet ist, auf dem Rack verbleibt.

! Das Entfernen des Prozessors hat nach einiger Zeit den Verlust von Datum und Uhrzeit zur Folge.

• Pufferdauer des internen RAM und der Kalenderfunktion

- Pufferdauer der Batterie.

Umgebungstemperatur ohne Betrieb		≤30°C	40°C	50°C	60°C
Pufferdauer	SPS ohne Spannung (12 Stunden/pro Tag)	5 Jahre	3 Jahre	2 Jahre	1an
	SPS ohne Spannung (1 Stunde/pro Tag)	5 Jahre	5 Jahre	4,5 Jahre	4 ans

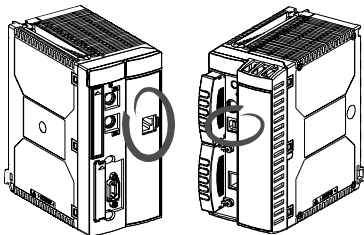
- Pufferdauer beim Auswechseln der Batterie (SPS spannungsfrei) oder dem Ausbau der Versorgungsbaugruppe oder des Prozessors. Der Eingriff muss innerhalb kurzer Zeit abgeschlossen werden, andernfalls droht Datenverlust im RAM.

Umgebungstemperatur während des Ausschaltens	20°C	30°C	40°C	50°C
Pufferdauer	2 St.	45 Min.	20 Min.	8 Min.

• Ethernet-Verbindung bei TSX P57 ••23/••34

Bestimmte Prozessoren verfügen über eine integrierte Ethernet-Verbindung, welche die Verwaltung von 64 TCP-Verbindungen unter Verwendung des Nachrichtendienstes an Port 502 und das Abtasten von maximal 64 Geräten unter Verwendung des E/A-Scanner-Dienstes ermöglicht.

Ein RJ45-Anschluss ermöglicht den Anschluss an das Ethernet-Netz.



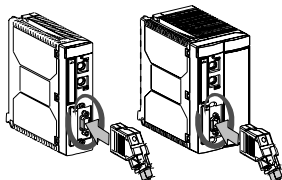
• FIPIO-Verbindung (Master) bei TSX P57 •5• und TSX P57 •8••

Bestimmte Prozessoren verfügen über eine integrierte FIPIO-Verbindung (Master); diese erlaubt die Verwaltung eines FIPIO-Busses mit 1 bis 127 angeschlossenen Geräten, wie beispielsweise:

- dezentrale E/A-Module des Typs Momentum und TBX (digitale und analoge Module)
- Steuerungskonsole des Typs CCX 17
- Antriebsregler des Typs ATV58
- normgerechte Geräte mit Standardprofilen usw.

TSX P57 15•

TSX P57 25•/28••/35•/45•/48••



TSX FP ACC12

Eine auf der Frontplatte angebrachte 9-polige SUB-D-Steckbuchse ermöglicht die Verbindung mit dem FIPIO-Bus über einen Steckverbinder TSX FP ACC12.

Hinweis: Die vollständige Inbetriebnahme eines FIPIO-Busses (Architektur, zu verwendende Kabel, Verkabelungszubehör usw.) ist im Referenzhandbuch des FIPIO-Busses beschrieben.

Diagnose über die LEDs

Vier bis Sieben LEDs auf der Vorderseite (Anzahl je nach Prozessortyp) ermöglichen eine schnelle Diagnose des Zustands der SPS:

- **RUN** (grün): Steuerungszustand (**leuchtet**: normaler Betrieb; **blinkt**: Steuerung auf STOP oder im Fehlerzustand mit blockierendem Softwarefehler; **erloschen**: Steuerung nicht konfiguriert, Applikation nicht vorhanden, ungültig oder inkompatibel mit dem Prozessortyp oder Steuerung im Fehlerzustand, Prozessor- oder Systemfehler.)

- **ERR** (rot): Prozessorfehler oder Fehler der PCMCIA-Speichererweiterungs- oder Kommunikationskarte (**leuchtet**: defekte Steuerung, Prozessor- oder Systemfehler; **blinkt**: Steuerung nicht konfiguriert, Applikation nicht vorhanden, ungültig oder inkompatibel mit dem Prozessortyp, Steuerung im Fehlerzustand mit blockierendem Softwarefehler, Batteriefehler der Speicherkarte, BusX-Fehler (1); **erloschen**: normaler Betrieb)

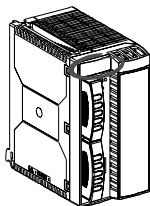
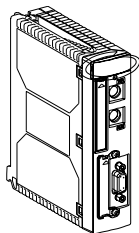
- **I/O** (rot): E/A-Fehler (**leuchtet**: Fehler bei Konfiguration oder bei einem E/A-Modul oder -Kanal, **blinkt**: BusX-Fehler (1); **erloschen**: normaler Betrieb)

- **TER** (gelb): zeigt Aktivität am PG-Anschluss an (**blinkt**: Übertragung über den PG-Anschluss läuft)

- **FIP** (gelb): nur bei den Prozessoren TSX P57 •5• und TSX P57 •8••, signalisiert die Aktivität am FIPIO-Bus (**blinkt**: Übertragung über den FIPIO-Bus läuft).

- **STC** (gelb): nur bei den Prozessoren TSX P57 5634.

- **ACT** (gelb): nur bei den Prozessoren TSX P57 5634.



(1) Ein BusX-Fehler wird durch gleichzeitiges Blinken der LEDs ERR und I/O angezeigt.

Technische Daten

• Allgemeine technische Daten der TSX 57-Prozessoren "kompatible PL7"

Prozessoren TSX P57	103	153	203/ 2623	253/ 2823	
Maximalkonfiguration der Station					
Racks TSX RKY 12EX	2	2	8	8	
Racks TSX RKY 4EX/6EX/8EX	4	4	16	16	
Modulsteckplätze (1)	21[27]	21[27]	87[111]	87[111]	
Digitale E/A im Rack auf BusX	512	512	1024	1024	
Analoge E/A im Rack auf BusX	24	24	80	80	
Appl.spez. Kanäle auf BusX (2)	8	8	24	24	
Anzahl Regelkreise	0	0	30	30	
Anzahl Regelkanäle	0	0	10	10	
UNI-TELWAY-Verbindung (PG-Anschluss)	1	1	1	1	
Netzverbindung (3)	1	1	1	1	
(FIPWAY, ETHWAY/TCP/IP, Modbus +, Ethernet)					
Integrierte FIPIO-Verbindung (Master)	-	63	-	127	
Verbindung Feldbus Dritthersteller (INTERBUS-S usw.) (4)	0	0	1	1	
AS-i-Feldbusverbindung	2	2	4	4	
Funktionen					
Kalenderfunktion pufferbar	oui	oui	oui	oui	
Speicher					
Internes RAM (5)	(K16)	32	32	48	64
Speichererweiterung max.	(K16)	64	64	160	160
Maximaler Speicher	(K16)	96	96	208	224
Applikationsstruktur					
Mastertask	1	1	1	1	
Fasttask	1	1	1	1	
Ereignisgesteuerte Verarbeitung (davon 1 prioritär)	32	32	64	64	
Ausführungszeit für 1K Anweisungen (6)					
Internes RAM	0.95ms	0.95ms	0.28ms	0.28ms	
PCMCIA-Karte	1.18ms	1.18ms	0.40ms	0.40ms	
Programmiersoftware (7)	PL7 Junior/PL7 Pro (unter Windows NT/2000/Xp)				
Sprachen	KOP, Grafcet, ST, AWL				

(1) Mit Modulen im Standard-Format, außer Versorgungsbaugruppe und Prozessor.

21 Steckplätze bei 2 Racks TSX RKY 12EX, 27 Steckplätze bei 4 Racks TSX RKY 8EX, 87 Steckplätze bei 8 Racks TSX RKY 12EX, 111 Steckplätze bei 16 Racks TSX RKY8EX.

(2) Applikationsspezifische Kanäle = Kanäle für Zähler, Achsensteuerung, Schrittmotorsteuerung, Kommunikation usw., siehe Definition und Verfügbarkeit der verschiedenen applikationsspezifischen Kanäle.

(3) Die in den TSX P57 ••23-Prozessoren integrierte Ethernet-Verbindung ist in der Anzahl der Netzverbindungen berücksichtigt.

(4) INTERBUS-S, PROFIBUS-DP.

(5) Pufferbar über Batterie an der Versorgungsbaugruppe.

(6) 65 % boolesch/35 % numerisch.

(7) PL7 ≥ Version 4.3 für TSX P57 ••23-Prozessoren.

• Allgemeine technische Daten der TSX 57-Prozessoren "kompatible PL7" (Fortsetzung)

Prozessoren TSX P57	303/ 3623	353	453/4823
Maximalkonfiguration der Station			
Racks TSX RKY 12EX	8	8	8
Racks TSX RKY 4EX/6EX/8EX	16	16	16
Modulsteckplätze (1)	87[111]	87[111]	87[111]
Digitale E/A im Rack auf BusX	1024	1024	2048
Analoge E/A im Rack auf BusX	128	128	256
Appl.spez. Kanäle auf BusX (2)	32	32	64
Anzahl Regelkreise	45	45	60
Anzahl Regelkanäle	15	15	20
UNI-TELWAY-Verbindung (PG-Anschluss)	2	2	2
Netzverbindung (3)	3	3	4
(FIPWAY, ETHWAY/TCP/IP, Modbus +, Ethernet)			
Integrierte FIPIO-Verbindung (Master)	-	127	127
Verbindung Feldbus Dritthersteller (INTERBUS-S usw.) (4)	2	2	2
AS-i-Feldbusverbindung	8	8	8
Funktionen			
Kalenderfunktion pufferbar	oui	oui	oui
Speicher			
Internes RAM (5) (K16)	64/80	80/96	96/176
Speichererweiterung max. (K16)	384	384	512
Maximaler Speicher (K16)	464	480	688
Applikationsstruktur			
Mastertask	1	1	1
Fasttask	1	1	1
Ereignisgesteuerte Verarbeitung (davon 1 prioritär)	64	64	64
Ausführungszeit für 1K Anweisungen (6)			
Internes RAM	0.21	0.21	0.11
PCMCIA-Karte	0.32	0.32	0.11
Programmiersoftware (7)	PL7 Junior/PL7 Pro (unter Windows NT/2000/Xp)		
Sprachen	KOP, Grafcet, ST, AWL		

(1) Mit Modulen im Standard-Format, außer Versorgungsbaugruppe und Prozessor.

21 Steckplätze bei 2 Racks TSX RKY 12EX, 27 Steckplätze bei 4 Racks TSX RKY 8EX, 87 Steckplätze bei 8 Racks TSX RKY 12EX, 111 Steckplätze bei 16 Racks TSX RKY8EX.

(2) Applikationsspezifische Kanäle = Kanäle für Zähler, Achsensteuerung, Schrittmotorsteuerung, Kommunikation usw.), siehe Definition und Verfügbarkeit der verschiedenen applikations-spezifischen Kanäle.

(3) Die in den TSX P57 ••23-Prozessoren integrierte Ethernet-Verbindung ist in der Anzahl der Netzverbindungen berücksichtigt.

(4) INTERBUS-S, PROFIBUS-DP.

(5) Pufferbar über Batterie an der Versorgungsbaugruppe.

Bei TSX P57 453: Applikation im internen RAM: Speicherkapazität = 96 KWorte; Applikation auf PCMCIA-Karte: Speicherkapazität des internen RAM = 176 KWorte.

(6) 65 % boolesch/35 % numerisch.

(7) PL7 ≥ Version 4.3 für TSX P57 ••23-Prozessoren.

• **Allgemeine Kenndaten der TSX 57-Prozessoren "kompatible Unity Pro"**
(Fortsetzung)

TSX P57	104	154	204	254
Maximalkonfiguration der Station				
Racks TSX RKY 12EX	2	2	8	8
Racks TSX RKY 4EX/6EX/8EX	4	4	16	16
Modulsteckplätze (1)	21	21	87	87
Digitale E/A im Rack auf X-Bus	512	512	1024	1024
Analoge E/A auf X-Bus	24	24	80	80
Anwendungsspez. Kanäle auf X-Bus (2)	8	8	24	24
Anzahl der Regelkreise	-	-	30	30
Anzahl der Regelkanäle	-	-	10	10
Uni-Telway-Verbindung (PG-Anschluss)	1	1	1	1
Netzverbindung (3)				
(FIPWAY, ETHWAY/TCP/IP, Modbus +, Ethernet)	1	1	1	1
Fipio-Master-Verbindung (integriert), Anzahl der Geräte	-	63	-	127
Verbindung durch Dritthersteller-Feldbus (INTERBUS-S, ...)	-	-	1	1
AS-i-Feldbusverbindung	2	2	4	4
Funktionen				
Echtzeituhr mit Sicherungsfunktion	oui	oui	oui	oui
Speicher				
Internal RAM (4) (K8)	96	96	160	192
PCMCIA-Karte (max.) (K8)	224	224	768	768
Anwendungsaufbau				
Master-Task	1	1	1	1
Task FAST	1	1	1	1
Ereignisgesteuerte Verarbeitung (davon 1 prioritär)	32	32	64	64
Ausführungsdauer (Kins/ms)				
Interner RAM (100 % boolesch)	(5)	(5)	4,76	4,76
Interner RAM (65 % boolesch + 35 % digital)	(5)	(5)	3,57	3,57
PCMCIA-Karte (100 % boolesch)	(5)	(5)	3,70	3,70
PCMCIA-Karte (65 % boolesch + 35 % digital)	(5)	(5)	2,50	2,50
Systemverwaltungszeit				
Task MAST				
Ohne Verwendung des Fipio-Busses	(5)	(5)	1 ms	(5)
Mit Verwendung des Fipio-Busses	-	(5)	-	(5)
Task FAST	(5)	(5)	0,30 ms	(5)

(1) Mit Modulen im Standardformat, außer Versorgungsmodul und Prozessor.

21 Steckplätze bei 2 Racks TSX RKY 12EX, 27 Steckplätze bei 4 Racks TSX RKY 8EX, 87 Steckplätze bei 8 Racks TSX RKY 12EX, 111 Steckplätze bei 16 Racks TSX RKY8EX.

(2) Anwendungsspezifische Kanäle = Kanäle für Zählung, Achsensteuerung, Schrittmotorsteuerung, Kommunikation usw.

(3) Die in TSX P57 2634/2834/3634/4834/5634 integrierte Ethernet-Verbindung ist in der Anzahl der Netzwerkverbindungen berücksichtigt.

(4) Kann über die Batterie am Versorgungsmodul gesichert werden.

• Allgemeine Kenndaten der TSX 57-Prozessoren "kompatible Unity Pro" (Fortsetzung)

TSX P57	254	2634	304	354	
Maximalkonfiguration der Station					
Racks TSX RKY 12EX	8	8	8	8	
Racks TSX RKY 4EX/6EX/8EX	16	16	16	16	
Modulsteckplätze (1)	87	87	87	87	
Digitale E/A im Rack auf X-Bus	1024	1024	1024	1024	
Analoge E/A auf X-Bus	80	80	128	80	
Anwendungsspez. Kanäle auf X-Bus (2)	24	24	32	32	
Anzahl der Regelkreise	30	30	45	45	
Anzahl der Regelkanäle	10	10	15	15	
Uni-Telway-Verbindung (PG-Anschluss)	1	1	1	1	
Netzverbindung (3)					
(FIPWAY, ETHWAY/TCP/IP, Modbus +, Ethernet)	1	1	3	3	
Fipio-Master-Verbindung (integriert), Anzahl der Geräte	127	-	-	127	
Ethernet-Verbindung (integriert)	1	1	-	-	
Verbindung durch Dritthersteller-Feldbus (INTERBUS-S, ...)	1	1	3	3	
AS-i-Feldbusverbindung		8	8	8	
Funktionen					
Realtime clock (can be backed up)		Ja	Ja	Ja	
Speicher					
Internal RAM (4)	(K8)	768	160	192	170
PCMCIA-Karte (max.)	(K8)		768	1792	1024
Anwendungsaufbau					
Master-Task	1	1	1	1	
Task FAST	64	1	1	1	
Ereignisgesteuerte Verarbeitung (davon 1 prioritär)		64	64	64	
Ausführungsdauer (Kins/ms)					
Interner RAM (100 % boolesch)	3,5	4,76	6,67	6,67	
Interner RAM (65 % boolesch + 35 % digital)	3,70	3,57	4,76	4,76	
PCMCIA-Karte (100 % boolesch)	2,5	3,70	4,55	4,55	
PCMCIA-Karte (65 % boolesch + 35 % digital)		2,50	3,13	3,13	
Systemverwaltungszeit					
Task MAST	1 ms				
Ohne Verwendung des Fipio-Busses	1 ms	1 ms	1 ms	1 ms	
Task FAST	0,35 ms	0,35 ms	0,35 ms	0,35 ms	

- (1) Mit Modulen im Standardformat, außer Versorgungsmodul und Prozessor.
 21 Steckplätze bei 2 Racks TSX RKY 12EX, 27 Steckplätze bei 4 Racks TSX RKY 8EX,
 87 Steckplätze bei 8 Racks TSX RKY 12EX, 111 Steckplätze bei 16 Racks TSX RKY 8EX.
- (2) Anwendungsspezifische Kanäle = Kanäle für Zählung, Achsensteuerung, Schrittmotorsteuerung, Kommunikation usw.
- (3) Die in TSX P57 2634/2834/3634/4834/5634 integrierte Ethernet-Verbindung ist in der Anzahl der Netzwerkverbindungen berücksichtigt.
- (4) Kann über die Batterie am Versorgungsmodul gesichert werden.

• Allgemeine Kenndaten der TSX 57-Prozessoren "kompatible Unity Pro" (Fortsetzung)

TSX P57	3634	454	4634
Maximalkonfiguration der Station			
Racks TSX RKY 12EX	8	8	8
Racks TSX RKY 4EX/6EX/8EX	16	16	16
Modulsteckplätze (1)	87	87	87
Digitale E/A im Rack auf X-Bus	1024	2048	2048
Analoge E/A auf X-Bus	128	256	256
Anwendungsspez. Kanäle auf X-Bus (2)	32	48	64
Anzahl der Regelkreise	45	60	60
Anzahl der Regelkanäle	15	20	20
Uni-Telway-Verbindung (PG-Anschluss)	1	1	1
Netzverbindung (3) (FIPWAY, ETHWAY/TCP/IP, Modbus +, Ethernet)	3	4	4
Fipio-Master-Verbindung (integriert), Anzahl der Geräte	-	127	-
Ethernet-Verbindung (integriert)	1	-	1
Verbindung durch Dritthersteller-Feldbus (INTERBUS-S, ...)	3	4	4
AS-i-Feldbusverbindung	8	8	8
Funktionen			
Echtzeituhr mit Sicherungsfunktion	Ja	Ja	Ja
Speicher			
Internal RAM (4) (K8)	192	320	320/440 (5)
PCMCIA-Karte (max.) (K8)	1792	2048	2048
Anwendungsaufbau			
Master-Task	1	1	1
Task FAST	1	1	1
Ereignisgesteuerte Verarbeitung (davon 1 prioritär)	64	64	64
Ausführungsdauer (Kins/ms)			
Interner RAM (100 % boolesch)	6,67	15,5	15,5
Internal RAM (65 % boolean + 35% digital)	4,76	11,4	11,4
PCMCIA-Karte (100 % boolesch)	4,55	15,5	15,5
PCMCIA-Karte (65 % boolesch + 35 % digital)	3,13	11,4	11,4
Systemverwaltungszeit			
Task MAST			
Ohne Verwendung des Fipio-Busses	1 ms	1 ms	1 ms
Task FAST	0,35 ms	0,08 ms	0,08 ms

- (1) Mit Modulen im Standardformat, außer Versorgungsmodul und Prozessor.
21 Steckplätze bei 2 Racks TSX RKY 12EX, 27 Steckplätze bei 4 Racks TSX RKY 8EX, 87 Steckplätze bei 8 Racks TSX RKY 12EX, 111 Steckplätze bei 16 Racks TSX RKY8EX.
- (2) Anwendungsspezifische Kanäle = Kanäle für Zählung, Achsensteuerung, Schrittmotorsteuerung, Kommunikation usw.
- (3) Die in TSX P57 2634/2834/3634/4834/5634 integrierte Ethernet-Verbindung ist in der Anzahl der Netzwerkverbindungen berücksichtigt.
- (4) Kann über die Batterie am Versorgungsmodul gesichert werden.
- (5) 1 Ziffer, wenn die Anwendung im internen RAM ist, 2 Ziffer, wenn die Anwendung in der Speicherkarte ist.

• Allgemeine Kenndaten der TSX 57-Prozessoren "kompatible Unity Pro" (Fortsetzung)

TSX P57	554	5634
Maximalkonfiguration der Station		
Racks TSX RKY 12EX	8	8
Racks TSX RKY 4EX/6EX/8EX	16	16
Modulsteckplätze (1)	87	87
Digitale E/A im Rack auf X-Bus	2040	2040
Analoge E/A auf X-Bus	512	512
Anwendungsspez. Kanäle auf X-Bus (2)	64	64
Anzahl der Regelkreise	90	90
Anzahl der Regelkanäle	30	30
Uni-Telway-Verbindung (PG-Anschluss)	1	1
Netzverbindung (3)		
(FIPWAY, ETHWAY/TCP/IP, Modbus +, Ethernet)	4	5
Fipio-Master-Verbindung (integriert), Anzahl der Geräte	127	-
Ethernet-Verbindung (integriert)	-	1
Verbindung durch Dritthersteller-Feldbus (INTERBUS-S, ...)	2	2
AS-i-Feldbusverbindung	8	8
Funktionen		
Echtzeituhr mit Sicherungsfunktion	Ja	Ja
Speicher		
Internal RAM (4) (K8)	640/896 (5)	640/896 (5)
PCMCIA-Karte (max.) (K8)	4096	4096
Anwendungsaufbau		
Master-Task	1	1
Task FAST	1	1
Hilfs-Task	4	4
Ereignisgesteuerte Verarbeitung (davon 1 prioritär)	128	128
Ausführungsdauer (Kins/ms)		
Interner RAM (100 % boolesch)	19,80	19,80
Interner RAM (65 % boolesch + 35 % digital)	14,20	14,20
PCMCIA-Karte (100 % boolesch)	19,80	19,80
PCMCIA-Karte (65 % boolesch + 35 % digital)	14,20	14,20
Systemverwaltungszeit		
Task MAST	1 ms	1 ms
Task FAST	0,07 ms	0,07 ms

- Mit Modulen im Standardformat, außer Versorgungsmodul und Prozessor.
21 Steckplätze bei 2 Racks TSX RKY 12EX, 27 Steckplätze bei 4 Racks TSX RKY 8EX, 87 Steckplätze bei 8 Racks TSX RKY 12EX, 111 Steckplätze bei 16 Racks TSX RKY8EX.
- Anwendungsspezifische Kanäle = Kanäle für Zählung, Achsensteuerung, Schrittmotorsteuerung, Kommunikation usw.
- Die in TSX P57 2634/2834/3634/4834/5634 integrierte Ethernet-Verbindung ist in der Anzahl der Netzwerkverbindungen berücksichtigt.
- Kann über die Batterie am Versorgungsmodul gesichert werden.
- 1: Ziffer, wenn die Anwendung im internen RAM ist, 2: Ziffer, wenn die Anwendung in der Speicherkarte ist.

• Elektrische Daten

Prozessoren	Leistungsaufnahme bei 5 an der Versorgungsbaugruppe TSX PSY •		Verlustleistung	
	Typisch	Maximal	Typisch	Maximal
TSX P57 0244	750	1050	3.7 W	5.2 W
TSX P57 10•	750	1050	3.7 W	5.2 W
TSX P57 15•	1550	1160	4.1 W	5.8 W
TSX P57 20•	830	2170	7.7 W	10.8 W
TSX P57 26**	750	1050	3.7 W	5.2 W
TSX P57 25•	1550	1160	4.1 W	5.8 W
TSX P57 28**	830	2170	7.7 W	10.8 W
TSX P57 30•	1000	1400	5 W	7 W
TSX P57 36**	1800	1510	5.4 W	7.5 W
TSX P57 35•	1080	2520	9 W	12.6 W
TSX P57 45•	1580	2210	7.9 W	11 W
TSX P57 48**	1780	2490	8.9 W	12.5 W
TSX P57 554	1580	2210	7.9 W	11 W
TSX P57 5634	1780 mA	2490 mA	8.9 W	12.5W

• Verfügbarkeit applikationsspezifischer Kanäle

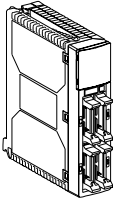
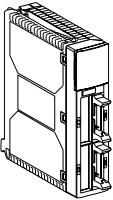
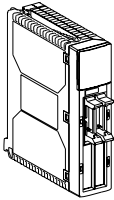
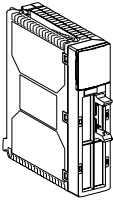
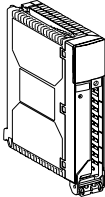
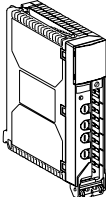
Funktion		Modul/Karte	appl.spez. Kanal	Anzahl
Zählen		TSX CTY 2A	Ja	2
		TSX CTY 2C	Ja	2
		TSX CTY 4A	Ja	4
		TSX CCY 1128	Ja	1
Bewegungssteuerung	Achse	TSX CAY 21/22	Ja	2
		TSX CAY 41/ 42	Ja	4
		TSX CAY 33	Ja	3
		TSX CAY 84	Ja	32 (1)
	Einzelschritt	TSX CFY 11	Ja	1
		TSX CFY 21	Ja	2
Wiegen		TSX ISP Y100/101	Ja	2
Kommunikation	Seriell	TSX SCP 11** (im Prozessor)	Nein	0 (2)
		TSX SCP 11** (im TSX SCY 21601)	Ja	1
		TSX JNP 11** (im TSX SCY 21601)	Ja	1
		TSX SCY 21601 (voie intégrée)	Ja	1
	FIPIO Agent	TSX FPP 10 (integrierter Kanal)	Nein	0 (2)
	FIPIO-Masterin den Prozessor integriert		Nein	0 (2)
	Modem	TSX MDM 10	Ja	1

Hinweis: Lediglich die konfigurierten applikationsspezifischen Kanäle müssen berücksichtigt werden.

(1) Mindestens 1 Kanal.

(2) Diese Kanäle sind bei der Berechnung der maximal vom Prozessor unterstützten applikationsspezifischen Kanäle nicht zu berücksichtigen.

Beschreibung

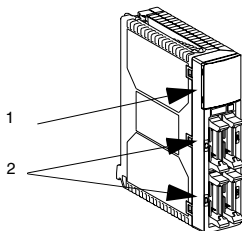
Kanäle	64 E oder 64 A	32 E oder 32 A	32 E oder 28 E/A	16 E
Anschlüsse HE 10- Steck- verbinden				
Anschlüsse Klemmleiste (Klemmleiste nicht dargestellt)			8/16 E oder 8/16E/ A	8 oder 16 A
				

DEUTSCH

Gerätebeschreibung**Module mit HE10-Steckverbindern**

1 Anzeigebaugruppe.

2 Durch eine Abdeckung geschützte HE10-Steckverbinder. Sie ermöglichen den Anschluß von Gebern und Stellgliedern entweder direkt über vorkonfektionierte Kabelstränge oder über TELEFAST-2-Verkabelungsinterfaces.



Module mit Klemmleiste

1 Anzeigebaugruppe

2 Abnehmbare Klemmleiste zum direkten Anschluß von Gebern und Stellgliedern

3 Zugriffsklappe der Klemmleiste. Diese dient auch als Träger für das Kennzeichnungsetikett.

4 Codiermechanismus

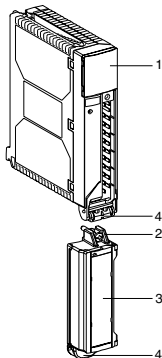
⚠ Die Klemmleiste wird unter der Bestellnummer TSX BLY 01 separat ausgeliefert.

• Kennzeichnungsetikett

Dieses mit dem Modul ausgelieferte und auswechselbare Etikett ist im Innern der Klappe (3) anzubringen. Auf Vorder- und Rückseite sind folgende Informationen gedruckt:

- geschlossene Klappe: Bestellnummer des Moduls und Art der Kanäle. In einem vom Benutzer auszufüllenden Feld die Moduladresse und die symbolische Kanalbezeichnung.

- geöffnete Klappe: Verkabelung der Eingänge und/oder Ausgänge, mit Angabe der Kanalnummern und der Nummern der Anschlußklemmen.



Kurzübersicht Katalog

Eingangsmodule TSX DEY ..

Bestellnr.	Kanäle	Anschluß	Spannung	Isolierung	Logik	Filterung	CEI 1131-2
DEY 08 D2	8 (1)	Klemml.	24 VCC	Ja	pos.	4 ms	Typ 2
DEY 16 D2	16 (1)	Klemml.	24 VCC	Ja	pos.	4 ms	Typ 2
DEY 16 D3	16 (1)	Klemml.	48VCC	Ja	pos.	4 ms	Typ 2
DEY 16 A2	16 (2)	Klemml.	24 VCC	Ja	neg.	10 ms	-
			24 VCA	Ja	-	50/60 Hz	Typ 2
DEY 16 A3	16 (2)	Klemml.	48 VCA	Ja	-	50/60 Hz	Typ 2
DEY 16 A4	16 (2)	Klemml.	115 VCA	Ja	-	50/60 Hz	Typ 2
DEY 16 A5	16 (2)	Klemml.	230 VCA	Ja	-	50/60 Hz	Typ 1
DEY 16 FK	16 (3)	HE 10	24 VCC	Ja	pos.	0,1..7,5 ms	Typ 1
DEY 32 D2K	32 (3)	HE 10	24 VCC	Ja	pos.	4 ms	Typ 1
DEY 32 D3K	32 (1)	HE 10	48VCC	Ja	pos.	4 ms	Typ 2
DEY 64 D2K	64 (3)	HE 10	24 VCC	Ja	pos.	4 ms	Typ 1

(1) Kompatibilität 2-Draht- und 3-Draht-Näherungsschalter, CEI 947-5-2

(2) Kompatibilität 2-Draht-Näherungsschalter, AC CEI 947-5-2

(3) Kompatibilität 2-Draht- und 3-Draht-Näherungsschalter, Telemecanique

Ausgangsmodule TSX DSY ..

Bestellnr.(5)	Kanäle	Anschluß	Spannung	Strom	Logik	Schutz	Antwortzeit
DSY 08 T2	8 (T)	Klemml.	24 VCC	0,5 A	pos.	ja (1)	1,2 ms
DSY 08 T22	8 (T)	Klemml.	24 VCC	2 A	pos.	ja (1)	0,2 ms
DSY 08 T31	8 (T)	Klemml.	48VCC	1 A	pos.	ja (1)	0,2 ms
DSY 16 T2	16 (T)	Klemml.	24 VCA	0,5 A	pos.	ja (1)	1,2 ms
DSY 16 T3	16 (T)	Klemml.	48VCA	0,5 A	pos.	ja (1)	1,2 ms
DSY 08 R5 (3)	8 (R)	Klemml.	24 VCC	3 A	-	nein	0 → 1<8ms
			24...240 VCA				1 → 0<10ms
DSY 08 R4D (3)	8 (R)	Klemml.	24...110 VCC	5 A	-	ja (2)	0 → 1<10ms
			24...240 VCA				1 → 0<15ms
DSY 08 R5A (3)	8 (R)	Klemml.	24...48 VCC	5 A	-	ja (2)	
			24...240 VCA				
DSY 16 R5 (3)	16 (R)	Klemml.	24 VCC	3 A	-	nein	
			24...240 VCA				
DSY 08 S5 (3)	8 (S)	Klemml.	48...220 VCA	2 A	-	ja (2)	0 → 1<10ms
							1 → 0<10ms
DSY 16 S4 (3)	16 (S)	Klemml.	24...110 VCA	1 A	-	nein	
DSY 16 S5	16 (S)	Klemml.	48...220 VCA	1 A	-	ja (2)	
DSY 32 T2K	32 (T)	HE 10	24 VCC	0,1 A	pos.	ja (1)	1,2 ms
DSY 64 T2K	64 (T)	HE 10	24 VCC	0,1 A	pos.	ja (1)	1,2 ms

- (1) Die Ausgänge besitzen Kurzschluß- und Überlastschutz. Die Module sind gegen Verpolung geschützt.
- (2) Die Ausgänge sind durch austauschbare Sicherungen geschützt, die an der Vorderseite der Module zugänglich sind.
- (3) Beim Entriegeln der Klemmleiste werden die Ausgänge automatisch abgetrennt.
- (4) Der Übergang in den Fehlerzustand ist für alle Module konfigurierbar, ausgenommen davon sind die Module mit Triac-Ausgängen.
- (5) Alle Ausgänge sind isoliert.
- (T) Transistorausgänge (R) Relaisausgänge (S) Triac-Ausgänge

Kombiniertes Ein-/Ausgangsmodul TSX DMY 28FK/28RFK

Kanäle	Anschluß	Spannung	Strom	Logik	Schutz	Filterung	Antwortzeit	CEI 1131
16 Eingänge	HE 10	24 VCC	-	pos.	-	0,1..7,5 ms	-	Typ 1
12 Ausgänge (T)	HE 10	24 VCC	0,5 A	pos.	ja	-	0,5 ms	ja

Hinweis: Die Ausgänge besitzen Kurzschluß- und Überlastschutz. Das Modul ist gegen Verpolung geschützt. Alle Eingänge und Ausgänge sind isoliert.

- (T) Transistorausgänge

Einbau / Montage

Die Module mit digitalen Ein-/Ausgängen werden beliebig auf einem Rack TSX RKY ... angeordnet. Hinweise zur Montage der Module auf dem Rack sind der Bedienungsanleitung der Racks zu entnehmen.

⚠ Die Montage / Demontage eines Moduls auf dem Rack kann unter Spannung erfolgen; die Spannung der Geber und Stellglieder und die Verbindung der Klemmleiste müssen jedoch getrennt werden.

Funktionen

Konstantstromeingänge

Die 24- und 48-V-Gleichstromeingänge sind "Konstantstromeingänge". Unabhängig von der Eingangsspannung oberhalb von 11 V (für die 24-VDC-Eingänge) oder 20 V (für die 48-VDC-Eingänge) ist der Eingangsstrom konstant.

Schutz der Gleichstrom-Transistorausgänge

Alle geschützten Transistorausgänge sind mit einer Vorrichtung zum Entdecken von Überlasten oder Kurzschlüssen bei einem aktivierten Ausgang ausgestattet. Ein solcher Fehler führt zur Deaktivierung des Ausgangs (Abschaltung) und Anzeige des Fehlers (die Kontrolleuchte des fehlerhaften Kanals blinkt, und die I/O-Kontrolleuchte des Prozessors leuchtet). Zum Reaktivieren eines abgeschalteten Ausgangs muß dieser wieder eingeschaltet werden.

Wiedereinschalten der Ausgänge

Ein abgeschalteter Ausgang kann, je nach Konfiguration, automatisch oder per Befehl wieder eingeschaltet werden. Gleichstrom-Transistorausgänge oder Relais- und Triac-Ausgänge, die durch eine austauschbare Sicherung geschützt sind, müssen wiedereingeschaltet werden. Dies erfolgt gruppenweise für je 8 Kanäle, die nicht aktivierten oder fehlerfreien Kanäle bleiben davon unberührt.

- Ist automatisches Wiedereinschalten konfiguriert, so erfolgt dies alle 10 s durch das Modul, bis der verursachende Fehler nicht mehr auftritt.
- Wird das Wiedereinschalten über das Applikationsprogramm oder eine Konsole gesteuert, so erfolgt es nach dem Wegfall des Fehlers. Erneutes Wiedereinschalten kann erst nach einem Mindestintervall von 10 s erfolgen.

Übergang in den Fehlerzustand

Beim Auftreten eines blockierenden Fehlers werden alle Ausgänge eines Moduls in den vom Benutzer konfigurierten Zustand versetzt: Einfrieren des letzten Zustandes, Versetzen in den Zustand 0 oder Versetzen in den Zustand 1.

Aufteilung der Eingänge / Ausgänge

Jedes Modul ist funktional in Gruppen von je 8 Kanälen unterteilt, die unterschiedlichen Tasks der Applikation zugeteilt werden können (bei einem Modul mit 16 Kanälen können z.B. die Kanäle 0 bis 7 der MAST-Task und die Kanäle 8 bis 15 der FAST-Task zugeordnet werden).

Die Kanäle einer Gruppe besitzen dieselben Betriebsarten und dieselbe Verwaltung der Funktionen (Übergang in den Fehlerzustand und Wiedereinschalten der Ausgänge).

Programmierbare Filterung der Eingänge

Bei den Modulen TSX DEY 16FK und TSX DMY 28FK/28RFK kann die Zeit der Eingangsfilterung zwischen 0,1 und 7,5 ms (standardmäßig 4 ms) konfiguriert werden.

⚠ Zum Herausfiltern des Premeffekts mechanischer Kontakte wird eine Filterungszeit von mehr als 3 ms empfohlen.

Speicherung des Zustands

Die Module TSX DEY 16FK und TSX DMY 28FK ermöglichen es, mittels Zustandsspeicherung sehr kurze Impulse von einer Dauer unter einem Steuerungszyklus zu lesen. Die Zustandsänderung des Eingangs wird berücksichtigt und beim nächsten Zyklus der Task verarbeitet.

⚠ Zwischen dem Empfang zweier Impulse im selben Eingang muß ein Intervall von mindestens 2 Zykluszeiten liegen. Die minimale Impulsdauer muß oberhalb der konfigurierten Filterzeit liegen.

Verwaltung von Ereignissen

Die Module TSX DEY 16FK und TSX DMY 28FK ermöglichen die Konfiguration von max. 16 Eingängen, mit denen Ereignisse berücksichtigt und sofort durch den Prozessor verarbeitet werden können (unterbrechungsgesteuerte Verarbeitung).

Überwachung der Klemmleiste

Alle Module mit Klemmleiste besitzen eine Vorrichtung, die die Klemmleiste auf dem Modul überprüft und einen Fehler signalisiert, wenn sie nicht vorhanden oder schlecht eingeklinkt ist.

Überwachung von Kurzschlüssen und Überlast

Die Module mit Transistorausgängen besitzen eine Schutzvorrichtung, die den Zustand der Last überwacht. Kurzschluß oder Überlastung eines oder mehrerer Ausgänge führt zu einem Fehler und zum Abschalten der betreffenden Ausgänge.

Überwachung der Geberspannung

Alle Eingangsmodule besitzen eine Schutzfunktion, die überprüft, ob die Versorgungsspannung der Geber und des Moduls für eine korrekte Funktionsweise der Eingangskanäle ausreicht. Fällt diese Spannung unter einen Schwellwert ab, wird ein Fehler angezeigt.

⚠ Die Geberspannung muß durch eine flinke 0,5-A-Sicherung geschützt werden.

Überwachung der Stellgliederspannung

Alle Module mit Transistorausgängen besitzen eine Schutzfunktion, die überwacht, ob die Versorgungsspannung der Stellglieder und des Moduls für die korrekte Funktionsweise der Ausgangskanäle ausreicht. Beim Unterschreiten eines Schwellwerts wird ein Fehler angezeigt.

Timer- und Hochgeschwindigkeitsfunktionen des Moduls TSX DMY 28FK

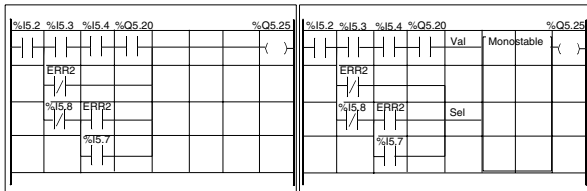
Bei diesem Modul können Applikationen, die eine schnellere Antwortzeit benötigen als bei der Fasttask bzw. ereignisgesteuerten Verarbeitung möglich (d.h. <500 ms), von Programmablauffunktionen aus auf Modulebene und unabhängig von der Steuerungstask ausgeführt werden. Hierbei werden folgende Eingangsvariablen verwendet:

- die physischen Eingänge des Moduls (%I)
- die Ausgangsbefehle des Moduls (%Q)
- die Fehlerinformationen der Kanäle bzw. des Moduls
- der Zustand der physischen Ausgänge des Moduls

Die Funktionen werden im Konfigurationsmodus mit Hilfe der Software PL7 Junior oder PL7 Pro ab Version 3.3 programmiert. Das Konfigurationsfenster der Ausgänge ist in zwei Hauptbereiche unterteilt:

- ein Bereich mit einem vereinfachten KOP-Netzwerk, das sich aus 4 Strompfaden mit jeweils 4 Kontakten zusammensetzt und eine funktionale Kombination von Eingangsvariablen ermöglicht.
- ein Bereich für die Inbetriebnahmefunktion, entweder zur direkten Steuerung des Ausgangs durch die konfigurierte Variablenkombination oder in der Form eines Funktionsbausteins (siehe Beispiele auf nachfolgender Seite).

Beispiele:



Liste der wichtigsten Funktionsbausteine:

- Timer-Funktionsbaustein Typ Arbeitskontakt,
- Timer-Funktionsbaustein Typ Ruhekontakt,
- Timer-Funktionsbaustein Typ Arbeitskontakt/Ruhekontakt,
- Timer-Funktionsbaustein mit zwei Werten,
- Timer-Funktionsbaustein Typ Arbeitskontakt/Ruhekontakt mit Auswahl der Werte,
- Monoflop-Funktionsbaustein, nachtriggerbar,
- Monoflop-Funktionsbaustein, träge, nicht nachtriggerbar,
- Monoflop-Funktionsbaustein mit zwei Werten,
- Oszillator-Funktionsbaustein,
- Zähler-Funktionsbaustein mit zwei Schwellwerten,
- Zähler-Funktionsbaustein mit einem Schwellwert und Monoflop,
- Funktionsbaustein zur Zeit- oder Längenmessung,
- Burst-Funktionsbaustein zur Erzeugung einer bestimmten Anzahl an Schwingungsperioden,
- PWM-Funktionsbaustein zur Erzeugung einer kontinuierlichen Schwingung mit fester Frequenz und variablem Tastverhältnis,
- Funktionsbaustein zur Erkennung von Geschwindigkeitsunterschreitung,
- Funktionsbaustein zur Überwachung der Geschwindigkeit,
- Funktionsbausteine zur Steuerung einer Aktion und Überprüfung, ob diese richtig durchgeführt wurde:
 - Funktionsbaustein Steuerung/Kontrolle Typ 1: (1 Steuersignal),
 - Funktionsbaustein Steuerung/Kontrolle Typ 2: (2 Steuersignale: Vorwärts/Rückwärts),
- Funktionsbaustein Steuerung während einer bestimmten Anzahl von Zählpunkten (einfache Positionierung),
- Funktionsbaustein zur Fehlermeldung,
- Flipflop-Funktionsbaustein, Typ D, mit Flankenspeicherung,
- Flipflop-Funktionsbaustein, Typ T, Division durch 2.

Diese Funktionsbausteine und die Implementierung der Software werden ausführlich im Benutzerhandbuch TLX DS 57 PL7 4xG.

Anschlüsse und Verkabelungsregeln

Verkabelungsregeln

• Externe Versorgungen für Geber und Stellglieder

Diese Versorgungen müssen mit **flinken Sicherungen** vor Kurzschlüssen und Überlasten geschützt werden.

⚠ Entspricht die Installation unter 24 VDC nicht den TBTS-Normen (Sicherheits-Kleinspannungen), muß das 0-V-Potential der Versorgung an die Schutzterde angeschlossen werden, und zwar möglichst nahe an der Versorgung.

• Eingänge

Bei Verwendung eines Moduls mit schnellen Eingängen TSX DEY 16FK/DMY 28FK muß die Filterungszeit der Eingänge an die gewünschte Funktion angepaßt werden: die Verwendung von Gebern mit Ausgängen mit mechanischen Kontakten erfordert eine Filterungszeit von ≥ 3 ms. Um eine schnellere Funktionsweise zu erreichen, sind Gleichstromeingänge und -geber zu verwenden, deren Antwortzeit unterhalb der von Wechselstromeingängen liegt.

• Ausgänge

Bei hohen Strömen sind die Signalleitungen zu trennen und jede einzelne durch eine flinke Sicherung zu schützen.

Es sind Drähte mit ausreichendem Querschnitt zu verwenden, um Spannungsabfall und Erhitzungen zu vermeiden.

• Kabelverlauf

Um Wechselstromkopplung einzuschränken, sind die Leistungskabel (Versorgungen, Leistungsschalter...) von den Eingangskabeln (Geber) und Ausgangskabeln (Stellglieder) getrennt zu verlegen.

Anschluß der Module mit Klemmleiste

Jede Klemme kann blanke Drähte oder Drähte mit Kabelhülsen oder offenen Kabelschuhen aufnehmen.

- minimal: 1 Draht von 0,2 mm² (AWG 24) ohne Kabelhülse
- maximal: 1 Draht von 2 mm² ohne Kabelhülse
1 Draht von 1,5 mm² mit Kabelhülse



Anschluß der Module mit HE10-Steckverbinder

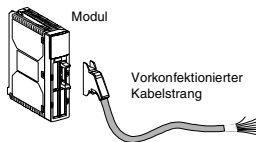
• Vorkonfektionierter Kabelstrang mit 20 Drähten, AWG 22 (0,34 mm²)

Ermöglicht den drahtweisen Anschluß der Ein-/Ausgänge an Geber, Stellglieder oder Anschlußklemmen.

2 Bestellnummern werden angeboten: **TSX CDP 301** (3 m) und **TSX CDP 501** (5 m).

TSX CDP 301 (3 m) und TSX CDP 501 (5 m).

Klemme / Draht	Klemme / Draht
1 weiß	2 braun
3 grün	4 gelb
5 grau	6 rosa
7 blau	8 rot
9 schwarz	10 violett
11 grau-rosa	12 rot-blau
13 weiß-grün	14 braun-grün
15 weiß-gelb	16 gelb-braun
17 weiß-grau	18 grau-braun
19 weiß-rosa	20 rosa-braun

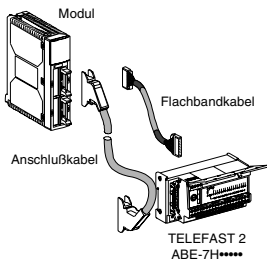


- **Flachbandkabel, AWG 28 (0,08 mm²)**

Ermöglicht den Anschluß der Ein-/Ausgänge an das Verkabelungsinterface TELEFAST 2. Wegen des geringen Querschnitts der Drähte wird empfohlen, Flachbandkabel nur bei Ein- oder Ausgängen mit geringem Strom (max. 100 mA) zu verwenden.

3 Kabeltypen werden angeboten:

TSX CDP 102 (1 m), TSX CDP 202 (2 m) und TSX CDP 302 (3 m).



- **Anschlußkabel, AWG 22 (0,34 mm²)**

Ermöglicht den Anschluß der Ein-/Ausgänge an das Verkabelungsmodul TELEFAST 2. Der Querschnitt der Kabel (0,34 mm²) erlaubt die Verwendung höherer Stromstärken als das Flachbandkabel (max. 500 mA).

5 Kabeltypen werden angeboten:

TSX CDP 053 (0,5 m), TSX CDP 103 (1 m), TSX CDP 203 (2 m), TSX CDP 303 (3 m) und TSX CDP 503 (5 m).

Maximales Anzugs-Drehmoment:

- Befestigungsschrauben des Moduls auf dem Rack: 2,0 Nm
- Schrauben der Klemmanschlußleiste TSX BLY 01: 0,8 Nm
- Schrauben des Kabelsteckverbinders TSX CDP •: 0,5 Nm

Kenndaten der Eingangsmodule mit Klemmleiste

Gleichstromeingänge (Spannung in VCC, Strom in mA)					
Bestellnummer TSX DEY-Modul		08D2/16	16D3	16A2	
Eingangsnennwerte		Spannung	24	48	24
		Strom	7	7	16
Eingangsgrenzwerte	im Zustand 1	Spannung	$\geq 11 \text{ V}$	$\geq 30 \text{ V}$	$\leq U_{al} - 14 \text{ V}$
		Strom	$\geq 6,5 \text{ (} U = 11 \text{ V)}$	$\geq 6,5 \text{ (} U = 30 \text{ V)}$	$\geq 6,5$
	im Zustand 0	Spannung	≤ 5	≤ 10	$\geq U_{al} - 5$
		Strom	≤ 2	≤ 2	≤ 2
Geberversorgung (inkl. Welligkeit)		19...30 V (1)	38...60 V	19...30 V (1)	
Eingangsimpedanz (bei $U = \text{Nennwert}$)		4 k Ω	7 k Ω	1,6 k Ω	
Logik		pos.	pos.	neg.	
CEI 1131-2		Typ 2	Typ 2	-	
Eingangstyp		Stromsenke	Stromsenke	ohmsch	
Parallelschaltung der Eingänge		ja	ja	ja	
Kompatibilität 2-Draht-/3-Draht-Näh.		CEI 947-5-2	CEI 947-5-2	CEI 947-5-2	
Schwellwert	Ok	$> 18 \text{ V}$	$> 36 \text{ V}$	$> 18 \text{ V}$	
	Fehler	$< 14 \text{ V}$	$< 24 \text{ V}$	$< 14 \text{ V}$	
Durchschlagsfestigkeit (50/ 60 Hz, 1 mn)		1500 V eff.	1500 V eff.	1500 V eff.	
Leistungsaufnahme (2)	5 V typisch	55 / 80 mA	80 mA	80 mA	
	Gebervers.typ. (mA)	25+(Nx 7)	25+(Nx 7)	15+(Nx 15)	
Verlustleistung (2) (W)		1+(Nx 0,15)	1+(Nx 0,3)	1+(Nx 0,4)	

Wechselstromeingänge (Spannung in VCC, Strom in mA)						
Bestellnummer TSX DEY-Modul		16A2	16A3	16A4	16A5	
Eingangsnennwerte		Spannung	24	48	100..120	200..240
		Strom	15	16	12	15
Eingangsgrenzwerte	im Zustand 1	Spannung	10	29	74	129
		Strom	6 (U = 10 V)	6 (U = 29 V)	6 (U = 74 V)	6 (U = 159 V)
	im Zustand 0	Spannung	5	10	20	40
		Strom	3 mA	4 mA	4 mA	4 mA
Geberversorgung		20...26 V	40...52 V	85...132 V	170...264 V	
Eingangsimpedanz		1,6 k Ω	3,2 k Ω	9,2 k Ω	20 k Ω	
CEI 1131-2		Typ 2	Typ 2	Typ 2	Typ 1	
Eingangstyp		ohmsch	kapazitiv	kapazitiv	kapazitiv	
Parallelschaltung der Eingänge		ja	ja	ja	ja	
Kompatibilität 2-Draht-/3-Draht-Näh.		CEI 947-5-2	CEI 947-5-2	CEI 947-5-2	CEI 947-5-2	
Schwellwert	Ok	$> 18 \text{ V}$	$> 36 \text{ V}$	$> 82 \text{ V}$	$> 164 \text{ V}$	
	Fehler	$< 14 \text{ V}$	$< 24 \text{ V}$	$< 40 \text{ V}$	$< 80 \text{ V}$	
Durchschlagsfestigkeit (50/ 60 Hz, 1 mn)		1500 V eff.	1500 V eff.	1500 V eff.	1500 V eff.	
Leistungsaufnahme (2)	5 V typisch	80 mA	80 mA	80 mA	80 mA	
	Gebervers.typ. (mA)	15+(Nx 15)	16+(Nx 16)	15+(Nx 15)	12+(Nx 12)	
Verlustleistung (2) (W)		1+(Nx 0,35)	1+(Nx 0,35)	1+(Nx 0,35)	1+(Nx 0,4)	

(1) bis 34 V (1 h / 24 h)

(2) N = Anzahl der Kanäle auf 1

Kenndaten der Eingangsmodule mit Steckverbindern

Gleichstromeingänge (Spannung in VCC, Strom in mA)						
Bestellnummer TSX DEY-Modul		16FK	32D2K	64D2K	32D3K	
Eingangsnennwerte	Spannung	24	24	24	48	
	Strom	3,5	3,5	3,5	7	
Eingangsgrenzwerte	im Zustand 1	Spannung	≥ 11 V	≥ 11 V	≥ 11 V	≥ 30 V
		Strom	3	3	3	6,5 (U = 30 V)
	im Zustand 0	Spannung	≤ 5	≤ 5	≤ 5	≤ 10
		Strom	1,5 mA	1,5 mA	1,5 mA	2 mA
Geberversorgung (inkl. Welligkeit)		19...30 V (1)	19...30 V (1)	19...30 V (1)	38...60 V	
Eingangsimpedanz (bei U=Nennwert)		6,3 kΩ	6,3 kΩ	6,3 kΩ	6,3 kΩ	
Logik		pos.	pos.	pos.	pos.	
Eingangstyp		Stromsenke	Stromsenke	Stromsenke	Stromsenke	
CEI 1131-2		Typ 1	Typ 1	Typ 1	Typ 2	
Parallelschaltung der Eingänge		ja	nein	nein	ja	
Kompatibilität 2-Draht-/3-Draht-Näh.		ja	ja	ja	ja	
Schwellwert		Ok	> 18 V	> 18 V	> 18 V	> 36 V
Geberspannung		Fehler	< 14 V	< 14 V	< 14 V	< 24 V
Durchschlagsfestigkeit (50/ 60 Hz, 1 mn)		1500 V eff.	1500 V eff.	1500 V eff.	1500 V eff.	
Leistungsaufnahme (2)	5 V typique	250 mA	135 mA	155 mA	300 mA	
	24V capteurs typ. (mA)	20+(Nx 3,4)	30+(Nx 3,5)	60+(Nx 3,5)	50+(Nx 7)	
Verlustleistung (2) (W)		1,2+(Nx 0,1)	1+(Nx 0,1)	1,5+(Nx 0,1)	2,5+(Nx 0,34)	

(1) bis 34 V (1 h / 24 h)

(2) N = Anzahl der Kanäle auf 1

Kenndaten der Ausgangsmodule mit Klemmleiste

Gleichstrom-Transistorausgänge (positive Logik)					
Bestellnummer TSX DSY-Modul		08T2 / 16T2	08T22	08T31	16T3
Nennwerte	Spannung	24 VCC/0,5A	24VCC	48VCC	48VCC
	Strom	0,5A	2A	1A	0,25A
Grenzwerte (pour für $U \leq 30$ oder 34 V, inkl. Welligkeit)	Spannung	19...30V(1)	19...30V(1)	38...60V	38...60V
	Strom/Kanal	0,625A	2,5A	1,25A	0,31A
	Strom/Modul	4A / 7A	14A	7A	4A
Leistung Glühlampe		6W	10W	10W	6W
Leckstrom	im Zustand 1	<0,5mA	<1mA	<1mA	<0,5mA
Spannungsabfall	im Zustand 0	<1,2V	<0,5V	<1V	<1,5V
Lastimpedanz, min.		48Ω	12Ω	48Ω	192Ω
Antwortzeit		1,2ms	200µs	300µs	1,2ms
Schwellwert	Ok	> 18 V	> 16 V	> 36 V	> 36 V
	Fehler	< 14 V	< 14 V	< 24 V	< 24 V
Durchschlagsfestigk. (50/60 Hz, 1 mn)		1500 V eff.	1500 V eff.	1500 V eff.	1500 V eff.
Leistungsaufnahme	5 V typisch	55/80 mA	55 mA	55 mA	80 mA
	Stellgliederver.	30/40mA	30mA	30mA	40mA
Verlustleistung in watt (13)		1,1+(Nx 0,75)	1,3+(Nx 0,2)	2,2+(Nx 0,55)	2,4+(Nx 0,85)

Relaisausgänge, thermischer Strom 3 A						
Bestellnummer TSX DSY-Modul		08RS / 16RS				
Betriebs- grenzspannung	Gleichstrom	10...34VCC				
	Wechselstrom	19...264VCA				
Thermischer Strom		3A				
Wechsel- strom- last	ohmsch Betr.art AC12	Spannung	24 VCA	48 VCA	100...120 VCA	200...240 VCA
		Leistung	50VA (5)	50VA (6) 11VA (4)	110VA (6) 220VA (4)	220VA (6)
	induktiv Betr.art AC14 und AC15	Spannung	24 VCA	48 VCA	100...120 VCA	200...240 VCA
		Leistung	24VA (4)	10VA (10) 24VA (8)	10VA (11) 50VA (7) 110VA (2)	10VA (11) 50VA (9) 110VA (6) 220VA (1)
Antwortzeit	ohmsch Betr.art DC12	Spannung	24 VCC			
		Leistung	24 W (6) 40 W (3)			
	induktiv Betr.art DC13	Spannung	24 VCC			
		Leistung	10 W (8) 24W (6)			
Antwortzeit	Einschalten	< 8ms				
	Einschalten	< 10ms				
Isolierung (50/60 Hz, 1 mn)		2000 V eff.				
Leistungsaufnahme	5 V typisch	55/80 mA				
	24 V Relais typisch (12)	(Nx 8,5)mA				
Verlustleistung in watt (13)		0,25+(Nx 0,2)				

Gleichstrom-Relaisausgänge						
Bestellnummer TSX DSY-Modul			08R4D			
Betriebsgrenzspannung		Gleichstrom	19...143VCC			
		Wechselstrom	untersagt			
Thermischer Strom			(max. 6 A pro Gemeinsamer)			
Gleichstromlast	ohmsch Betr.art DC12	Spannung	24 VCC	48 VCC	100...130 VCC	
		Leistung	50 W (6) 100 W (3)	100 W (6) 200 W (3)	220 W (6) 440 W (3)	
	induktiv Betr.art DC13	Spannung	24 VCC	48 VCC	110 VCC	
		Leistung	20 W (8) 50 W (6)	50 W (8) 100 W (6)	110 W (8) 220 W (6)	
Antwortzeit		Einschalten	< 10ms			
		Ausschalten	< 15ms			
Isolierung (50/60 Hz, 1 mn)			2000 V eff.			
Leistungsaufnahme		5 V typisch		55 mA		
		24 V Relais typisch (12)		(Nx 10)mA		
Verlustleistung in watt (13) W			0,25+(Nx 0,24)			

Relaisausgänge, thermischer Strom, 5 A						
Bestellnummer TSX DSY-Modul			08R5A			
Betriebsgrenzspannung		Gleichstrom	19...60VCC			
		Wechselstrom	19...264 VCA			
Thermischer Strom			(max. 6 A pro Gemeinsamer)			
Wechselstromlast	ohmsch Betr.art DC12	Spannung	24 VCA	48 VCA	100...120 VCA	200...240 VCA
		Leistung	100 VA (5)	100 VA (6) 200 VA (4)	220 VA (6) 440 VA (4)	440 VA (6)
	induktiv Betr.art AC14 und AC15	Spannung	24 VCA	48 VCA	100...120 VCA	200...240 VCA
		Leistung	50 VA (4)	20 VA (10) 50 VA (8)	20 VA (11) 110 VA (7) 220 VA (2)	20 VA (11) 110 VA (9) 220 VA (6) 440 VA (1)
Gleichstromlast	ohmsch Betr.art DC12	Spannung	24 VCC	48 VCC		
		Leistung	24 W (6) 50 W (3)	50 W (6) 100 W (3)		
	induktiv Betr.art DC13	Spannung	24 VCC	48 VCC		
		Leistung	10 W (8) 24W (6)	24 W (8) 50 W (6)		
Antwortzeit		Einschalten	< 10ms			
		Ausschalten	< 15ms			
Isolierung (50/ 60 Hz, 1 mn)			2000 V eff.			
Leistungsaufnahme		5 V typisch		55 mA		
		24 V Relais typisch (12)		(Nx 10)mA		
Verlustleistung in watt (13)			0,25+(Nx 0,24)			

- (1) bis 34 V (1 h / 24 h) (4) $0,3 \times 10^6$ Schaltspiele (7) 1×10^6 Schaltspiele (10) 3×10^6 Schaltspiele
 (2) $0,1 \times 10^6$ Schaltspiele (5) $0,5 \times 10^6$ Schaltspiele (8) $1,5 \times 10^6$ Schaltspiele (11) 5×10^6 Schaltspiele
 (3) $0,15 \times 10^6$ Schaltspiele (6) $0,7 \times 10^6$ Schaltspiele (9) 2×10^6 Schaltspiele (12) 10×10^6 Schaltspiele
 (13) N = Anz.der Kanäle auf 1

Triac-Ausgänge			
Modulbestellnummer TSX DSY		08S5 / 16S5	16S4
Betriebsgrenzspannung		41...264 VCA	20...132 VCA
Zulässiger Strom	TSX DSY 08S5	2A / Kanal - 12A / Modul	1A / Kanal - 12A / Modul
	TSX DSY 16S5	1A / Kanal- 12A / Modul	
Antwortzeit	Einschalten	< 10ms	< 10ms
	Ausschalten	< 10ms	< 10ms
Isolierung (50/ 60 Hz, 1 mn)		2000 V eff.	2000 V eff.
Leistungsaufnahme 5 V typisch	TSX DSY 08S5	125 mA	220 mA
	TSX DSY 16S5	220 mA	
Verlustleistung (W)	TSX DSY 08S5	0,5W + 1W/A pro Ausg.	0,85W + 1W/A pro Ausg.
	TSX DSY 16S5	0,5W + 1W/A pro Ausg.	

Kenndaten der Ausgangsmodule mit Steckverbindern

Gleichstrom-Transistorausgänge (pos. Logik)			
Modulbestellnummer TSX DSY		32T2K	64T2K
Nennwerte	Spannung	24 VCC	24 VCC
	Strom	0,1 A	0,1 A
Grenzwerte (für $U \leq 30$ oder 34 V, inkl. Welligkeit)	Spannung	19...30 V(1)	19...30 V(1)
	Strom / Kanal	0,125 A	0,125 A
	Strom / Modul	3,2 A	5 A
Leistung Glühlampe		1,2 W (max.)	1,2 W (max.)
Leckstrom	im Zustand 0	<0,1mA für $U=30V$	<0,1mA für $U=30V$
Spannungsabfall	im Zustand 1	<1,5 V für $I = 0,1 A$	<1,5 V für $I = 0,1 A$
Lastimpedanz, min.		220 Ω	220 Ω
Parallelschaltung der Eingänge		Ja : 3 max.	Ja : 3 max.
Antwortzeit		1,2ms	1,2ms
Schwellwert	Ok	> 18 V	> 16 V
	Fehler	< 14 V	< 14 V
Durchschlagsfestigk. (50/ 60 Hz, 1 mn)		1500 V eff.	1500 V eff.
Leistungsaufnahme	5 V typique	135 mA	155 mA
	24 V capteurs typ.	30 mA	60 mA
Verlustleistung (2) (W)		1,6 +(Nx 0,1)	2,4+(Nx 0,1)

(1) bis 34 V (1 h / 24 h)

(2) N = Anzahl der Kanäle

Kenndaten der kombinierten Ein-/Ausgangsmodule mit Steckverbindern

Kenndaten der Eingänge			
Bestellnummer TSX DMY-Modul		28FK / 28RFK	
Eingangsnennwerte		Spannung	24 VCC
		Strom	3,5 mA
Eingangsgrenzwerte	im Zustand 1	Spannung	≥ 11 V
		Strom	≥ 3 mA
	im Zustand 0	Spannung	≤ 5 V
		Strom	$\leq 1,5$ mA
Geberversorgung (inkl. Welligkeit)		19...30 V bis 34 V (1 h / 24 h)	
Eingangsimpedanz (bei U=Nennwert)		6,3 k Ω	
Eingangstyp		Stromsenke	
Parallelschaltung der Eingänge		Ja	
Kompatibilität 2-Draht-/3-Draht-Näh.		Ja	
Schwellwert	Ok	> 18 V	
	Fehler	< 14 V	
Geberspannung			
Durchschlagsfestigkeit (50/ 60 Hz, 1 mn)		1500 V eff.	
Leistungsaufnahme	5 V typisch	300 mA	
	24 V Gebertypisch	20+(Nx 3,5) mA	
Verlustleistung (W)		0,1	

Kenndaten der Ausgänge			
Bestellnummer TSX DMY-Modul		28FK / 28RFK	
Ausgangsnennwerte		Spannung	24 VCC
		Strom	0,5 A
Ausgangsgrenzwerte		Spannung	19...30 V bis 34 V (1 h / 24 h)
		Strom / Kanal	0,625 mA
		Strom / Modul	4 A
Leistung Glühlampe		6 W	
Leckstrom	im Zustand 0	<1 mA	
Spannungsabfall	im Zustand 1	<1,2 V	
Lastimpedanz, min.		48 Ω	
Antwortzeit		0,6 ms	
Schwellwert	Ok	> 18 V	
	Fehler	< 14 V	
Stellgliedspannung			
Durchschlagsfestigkeit (50/ 60 Hz, 1 mn)		1500 V eff.	
Leistungsaufnahme	24 V Stellglieder	30 / 40 mA	
Verlustleistung		1 W + 0,75 W pro Ausg. im Zustand 1	

Wartung / Diagnose

Die LEDs auf der Vorderseite des Moduls ermöglichen eine schnelle Diagnose von deren Zustand.

- 3 LEDs für den Modulzustand informieren über die Betriebsart des Moduls
 - **RUN** (grün): Modulzustand (leuchtet: normaler Betrieb; erloschen: Fehler im Modul)
 - **ERR** (rot) : interne Fehler (leuchtet: Fehler im Modul; blinkt: Kommunikationsfehler)
 - **I/O** (rot) : externe Fehler (leuchtet: Überlast, Kurzschluß, Fehler Geber-/Stellgliedversorgung; blinkt: Fehler in Klemmleiste)

⚠ Während des Selbsttests blinken die LEDs RUN, ERR und I/O.

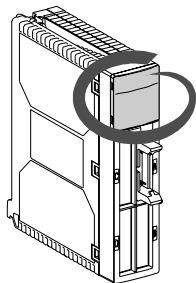
- 8, 16 oder 32 Kanalzustands-LEDs informieren über den Zustand eines jeden Ein-/Ausgangs (leuchtet: Kanal im Zustand 1; blinkt: Fehler auf dem Kanal, Überlast oder Kurzschluß; erloschen: Kanal im Zustand 0).

Außerdem gibt die Kontrollleuchte **+32** auf den Modulen mit 64 Kanälen an, welche Kanalgruppe angezeigt wird (erloschen: Kanäle 0 bis 31; leuchtet: Kanäle 32 bis 63). Über einen Drucktaster (nur bei Modulen mit 64 Kanälen) kann die Kanalgruppe ausgewählt werden.

Bei kombinierten Modulen mit 28 E/A

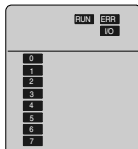
(16 E + 12 A):

- die LEDs 0 bis 15 zeigen den Zustand der Eingänge an,
- die LEDs 16 bis 27 zeigen den Zustand der Ausgänge an.



DEUTSCH

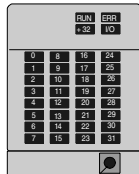
Module mit 8 Kanälen




Module mit 16 Kanälen



Module mit 28/32/64 Kanälen



Drucktaster

	leuchtet 	blinkt 	erloschen 
RUN	Normalbetrieb	-	Modulfehler oder Modul ohne Spannung
ERR	interner Fehler Modulfehler	Kommunikationsfehler, wenn RUN leuchtet Module Modul nicht konfiguriert, wenn RUN erloschen (1)	kein Modulfehler
I/O	externer Fehler: Überlast, Kurzschluß, Spannungs- fehler der Geber/Stell- glieder	Klemmleistenfehler	kein externer Fehler
0...i	Kanal im Zustand 1	Kanalfehler, Überlast oder Kurzschluß	Kanal im Zustand 0

(1) Dieser Zustand ist erst ab den Modulversionen $\geq V2.0$ verfügbar.

Betriebsbedingungen

Betriebstemperatur		0...60° C
Relative Luftfeuchtigkeit		10...95% (ohne Kondensatbildung)
Höhenlage		0...2000 m
Festigkeit	Vibration	IEC 68-2-6, Versuch Fc, Stärke 2 g
	Stöße	IEC 68-2-27, Versuch Ea
Verhalten bei elektrostatischen Entladungen		IEC 1000-4-2, Niveau 3
Störfestigkeit	elektromagnetische Felder	IEC 1000-4-3, Niveau 3
	kurze Spannungsspitzen	IEC 1000-4-4, Niveau 3
	Stoßwellen	IEC 1000-4-5
	gedämpfte Wellen	IEC 1000-4-12
Verhalten bei NF-Störungen		IEC 1131-2
Lagertemperatur		-25...+70° C
Mechanische Sicherheit		IP 20 mit Abdeckung TSX RKA 01

Consignes générales de sécurité

Racks standard TSX RKY ** et extensibles TSX RKY **EX

Présentation	7
Description physique	8
Encombresments	9
Montage / Fixation	9
Règles d'implantation	11
Adressage des racks d'une station automate	12
Adresses des modules	14
Implantation des modules	15
Montage des modules et borniers	18
Constitution d'une station automate avec processeur TSX P57	20
Constitution d'une station automate avec processeur PCX 57	22
Câbles d'extension BusX	24
Terminaison de ligne TSX TLYEX	25
Câche de protection d'une position inoccupée	28
Repérage	29

Modules alimentation PSY ***

Présentation	31
Catalogue	31
Description physique	32
Fonctions auxiliaires	33
Implantation / Montage	34
Caractéristiques	35
Règles de raccordements	39

Raccordements

Mise à la terre des racks	41
Raccordement des alimentations	41
Raccordement du relais alarme	44

TSX P57

Présentation	45
Description physique	46
Implantation / Montage	48
Précautions	49
Fonctions auxiliaires	50
Diagnostic à partir des voyants de visualisation	58
Caractéristiques	59

Modules d'entrées / sorties TOR

Présentation	67
Description physique	67
Rappel catalogue	68
Implantation / Montage	70
Fonctionnalités	70
Moyens de raccordement et règles de câblage	73
Caractéristiques des modules d'entrées à bornier	75
Caractéristiques des modules d'entrées à connecteur(s)	76
Caractéristiques des modules de sorties à bornier	77
Caractéristiques des modules de sorties à connecteur(s)	79
Caractéristiques modules mixtes d'entrées/sorties à connecteurs	80
Maintenance / Diagnostic	81
Conditions de service	82

1 Généralités

La présente documentation s'adresse à des personnes qualifiées sur le plan technique pour mettre en œuvre, exploiter et maintenir les produits qui y sont décrits. Pour une utilisation "avancée" des produits s'adresser à l'agence la plus proche pour obtenir des renseignements complémentaires. La présente documentation fournit un cadre légal concernant l'utilisation des produits Telemecanique Modicon Micro et Premium et des documentations associées.

Le contenu de la documentation n'est pas contractuel et ne peut en aucun cas étendre ou restreindre les clauses de garantie contractuelles.

2 Qualification des personnes

Seules des **personnes qualifiées** sont autorisées à mettre en œuvre, exploiter ou maintenir les produits. L'intervention d'une personne non qualifiée ou le non-respect des consignes de sécurité contenues dans ce document ou apposées sur les équipements, peut mettre en cause la sécurité des personnes et/ou la sûreté du matériel de façon irrémédiable.

3 Avertissements

Les avertissements servent à prévenir les risques particuliers encourus par les personnels et/ou le matériel. Ils sont signalés dans les documentations et sur les produits par une marque d'avertissement:

Attention

Signifie que la non application de la consigne ou la non prise en compte de l'avertissement conduit ou peut conduire à des lésions corporelles graves, pouvant entraîner la mort ou/et à des dommages importants du matériel.

Important ou

Indique une consigne particulière dont la non-application peut conduire à des lésions corporelles légères ou/et à des dommages matériels.

Remarque

Met en exergue une information importante relative au produit, à sa manipulation ou à sa documentation d'accompagnement.

4 Conformité d'utilisation

Les produits décrits dans les documentations **sont conformes aux Directives Européennes** (*) auxquelles ils sont soumis (marquage CE). Toutefois, ils ne peuvent être utilisés de manière correcte, que dans les applications pour lesquelles ils sont prévus dans les différentes documentations et en liaison avec des produits tiers agréés.

(*) Directives DCEM et DBT concernant la Compatibilité Electromagnétique et la Basse Tension.

5 Installation et mise en œuvre des équipements

Il est important de respecter les règles suivantes, lors de l'installation et de la mise en service des équipements. De plus, si l'installation contient des liaisons numériques, il est impératif d'appliquer les règles élémentaires de câblage, présentées dans le manuel "compatibilité électromagnétique des réseaux et bus de terrain industriels", **référéncé TSX DG KBLF**.

- Respecter scrupuleusement les consignes de sécurité, contenues dans la documentation ou sur les équipements à installer et mettre en œuvre.
- Le type d'un équipement définit la manière dont celui-ci doit être installé :
 - un équipement encastrable (par exemple, un pupitre d'exploitation) doit être encastré,
 - un équipement incorporable (par exemple, un automate programmable) doit être placé dans une armoire ou un coffret,

-un équipement «de table» ou portable (par exemple, un terminal de programmation ou un notebook) doit rester avec son boîtier fermé,

•Si l'équipement est connecté à demeure, il sera nécessaire d'intégrer dans son installation électrique, un dispositif de sectionnement de l'alimentation et un coupe circuit de protection sur surintensité et de défaut d'isolement. Si ce n'est pas le cas, la prise secteur sera mise à la terre et facilement accessible.

L'équipement doit être raccordé à la masse de protection.

- Si l'équipement est alimenté en 24 ou en 48 V continu, il y a lieu de protéger les circuits basse tension. N'utiliser que des alimentations conformes aux normes en vigueur.
- Vérifier que les tensions d'alimentation restent à l'intérieur des plages de tolérance définies dans les caractéristiques techniques des équipements.
- Toutes les dispositions doivent être prises pour qu'une reprise secteur (immédiate, à chaud ou à froid) n'entraîne pas d'état dangereux pour les personnes ou pour l'installation.
- Les dispositifs d'arrêt d'urgence doivent rester efficaces dans tous les modes de fonctionnement de l'équipement, même anormal (par exemple, coupure d'un fil). Le réarmement de ces dispositifs ne doit pas entraîner des redémarrages non contrôlés ou indéfinis.
- Les câbles véhiculant des signaux doivent être placés de telle façon que les fonctions d'automatismes ne soient pas perturbées par influences capacitatives, inductives, électromagnétiques, ...
- Les équipements d'automatisme et leurs dispositifs de commande doivent être installés de façon à être protégés contre des manœuvres inopinées.
- Afin d'éviter qu'un manque de signaux n'engendre des états indéfinis dans l'équipement d'automatisme, les mesures de sécurité adéquates seront prises pour les entrées et sorties.

6 Fonctionnement des équipements

La sûreté de fonctionnement d'un dispositif représente son aptitude à éviter l'apparition de défaillances et à minimiser leurs effets lorsqu'elles se sont produites.

Un défaut interne à un système de commande sera dit de type :

- Passif, s'il se traduit par un circuit de sortie ouvert (aucun ordre n'est donné aux actionneurs).
- Actif, s'il se traduit par un circuit de sortie fermé (un ordre est envoyé aux actionneurs).

Du point de vue de la sécurité, un défaut d'un type donné sera dangereux ou non selon la nature de la commande effectuée en fonctionnement normal. Un défaut passif est dangereux si la commande normale est une opération d'alarme; un défaut actif est dangereux s'il maintient ou active une commande non désirée. Le concepteur du système devra se prémunir, **par des dispositifs extérieurs à l'automate programmable**, contre les défauts actifs internes à cet automate, signalés ou non signalés.

7 Caractéristiques électriques et thermiques

Le détail des caractéristiques électriques et thermiques des équipements figure dans les documentations techniques associées (manuels de mise en œuvre, instructions de service).

8 Maintenance

Conduite à tenir pour le dépannage

- Les réparations sur un équipement d'automatisme ne doivent être effectuées que par du personnel qualifié (technicien S.A.V ou technicien agréé par Schneider Automation). Lors de remplacement de pièces ou de composants, n'utiliser que des pièces d'origine.
 - Avant d'intervenir sur un équipement, couper dans tous les cas son alimentation et verrouiller mécaniquement les pièces susceptibles de mouvements.
- Remplacement et recyclage des piles usagées. Utiliser des piles de même type que celles d'origine et éliminer les piles défectueuses comme des déchets toxiques.
-

Présentation

Les racks TSX RKY ••• assurent les fonctions suivantes :

- fonctions mécaniques: ils permettent la fixation de l'ensemble des modules d'une station automate (alimentation, processeur, E/S TOR,) et peuvent être fixés dans des armoires, des bâtis de machine ou sur panneaux,

- fonctions électriques: ils intègrent un bus, appelé Bus X qui assure la distribution des alimentations nécessaires à chaque module d'un même rack et des signaux de service et de données pour l'ensemble de la station automate dans le cas où celle-ci comporte plusieurs racks.

2 familles de racks (standard et extensibles) sont proposées en plusieurs modularités (4, 6, 8, 12 positions) :

- racks standard : ils permettent de constituer une station automate limitée à **1 seul rack**,

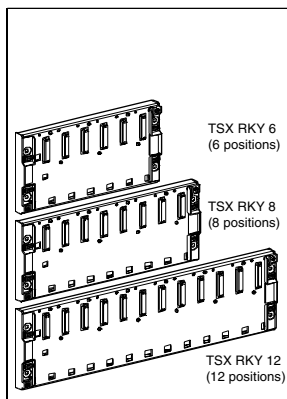
- racks extensibles : ils permettent de constituer une station automate qui peut comporter :

- **8 racks maximum** TSX RKY 12EX

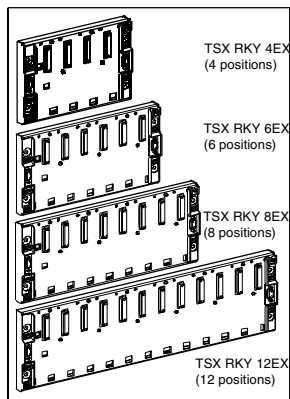
- **16 racks maximum** TSX 4EX/6EX/8EX

Ces racks sont répartis sur un bus appelé bus X et dont la longueur maximale ne doit pas dépasser 100 mètres. La continuité du Bus X d'un rack vers un autre rack est assurée par un câble d'extension bus de caractéristiques spécifiques.

Racks standards

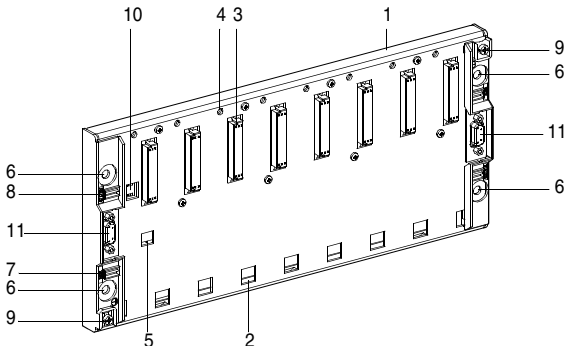


Racks extensibles



Description physique

Le rack représenté ci-dessous est un rack extensible TSX RKY 8EX. Les racks standard ne comportent pas de micro-interrupteurs (repère 10) et de connecteurs SUB D 9 pts (repère 11).



1 Tôle métallique assurant les fonctions de support de la carte électronique BusX et protection de celle-ci contre les parasites de type EMI/ESD, de support des modules, de rigidité mécanique du rack.

2 Fenêtres destinées à l'ancrage des ergots des modules.

3 Connecteurs 1/2 DIN 48 points femelles assurant la connection entre le rack et les modules. Ils sont protégés par des caches qui doivent être retirés avant la mise en place des modules. Le connecteur le plus à gauche, repéré PS est toujours dédié au module alimentation du rack ; les autres connecteurs repérés 00 à ●● sont destinés à recevoir tous les autres types de modules.

4 Trous taraudés recevant la vis de fixation du module.

5 Fenêtre assurant le détrompage lors du montage du module alimentation qui ne pourra être monté dans aucune autre position.

6 Trous pour vis M6 permettant la fixation du rack sur un support.

7 Emplacement pour repérage de l'adresse du rack.

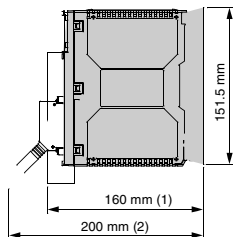
8 Emplacement pour repérage de l'adresse réseau de la station.

9 Bornes de terre pour mise à la terre du rack.

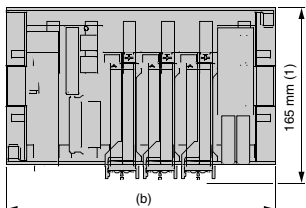
10 Micro-interrupteurs pour codage de l'adresse du rack. Ces micro-interrupteurs n'existent que sur les racks extensibles TSX RKY 4EX/6EX/8EX/12EX.

11 Connecteurs SUB D 9 points femelles permettant le déport du BusX vers un autre rack. Ces connecteurs n'existent que sur les racks extensibles TSX RKY 4EX/6EX/8EX/12EX.

Encombremments



- (1) avec modules borniers à vis
 (2) profondeur maximale avec tous types de modules et leurs connectiques associées

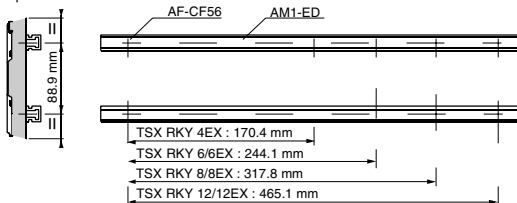


Références racks	(b) en mm
TSX RKY 4EX	187,9 mm
TSX RKY 6/6EX	261,6 mm
TSX RKY 8/8EX	335,3 mm
TSX RKY 12/12EX	482,6 mm

Montage / Fixation

•Montage sur profilé DIN largeur 35 mm

Fixation par 4 vis M6x25 + rondelles et écrous 1/4 de tour couissant AF1-CF56

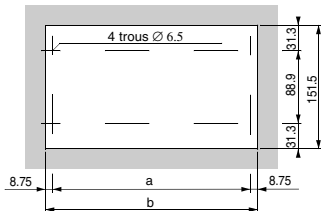


•Montage sur panneau : plan de perçage

(cotes en millimètres)

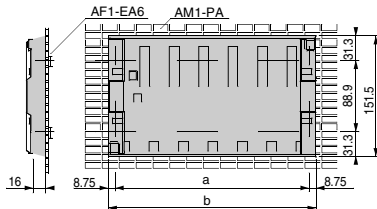
Références racks	a	b
TSX RKY 4EX	170,41	87,9
TSX RKY 6/6EX	244,1	261,6
TSX RKY 8/8EX	317,8	335,3
TSX RKY 12/12EX	465,1	482,6

cotes a et b en millimètres



•Montage sur platine perforée

Telequick AM1-PA

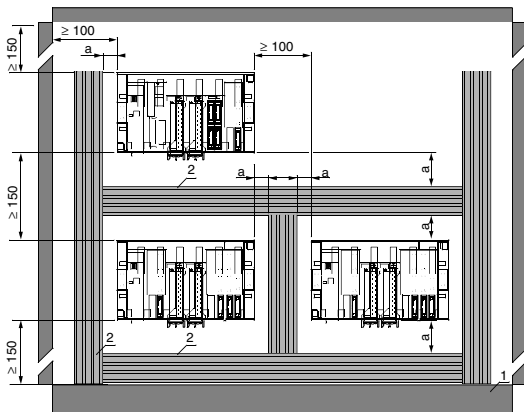


Fixer le rack par 4 vis M6x25 + rondelles et écrous clips AF1-EA6. (cotes a et b : voir tableau page précédente).

•Couple de serrage des vis de fixation: 2.0 N.m maximum

Règles d'implantation

Les racks TSX RKY ••• doivent être installés horizontalement et sur un plan vertical.



$a \geq 50 \text{ mm}$

1 appareillage ou enveloppe

2 goulotte ou lyre de câblage

Adressage des racks d'une station automate

- Station constituée à partir d'un rack standard

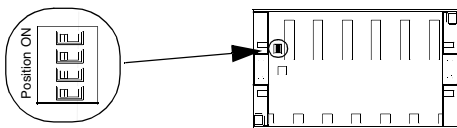
La station est toujours limitée à un seul rack et l'adresse du rack est implicite et a toujours pour valeur 0.

- Station constituée à partir de racks extensibles

Pour chaque rack de la station, 4 micro-interrupteurs situés sur le rack permettent:

- le codage de l'adresse du rack sur le Bus X (0 à 7): micro-interrupteurs 1 à 3,
- le codage de 2 racks (4, 6 ou 8 emplacements) sur la même adresse: micro-interrupteur 4. Cette fonctionnalité n'est gérée que par les logiciels PL7 Junior et PL7 Pro de version $V \geq 3.3$

Les différents codage devront être fait avant montage du module alimentation.



Adresse rack	00	01	02	03	04	05	06	07
4								
3								
2								
1								
	ON OFF	ON OFF	ON OFF	ON OFF	ON OFF	ON OFF	ON OFF	ON OFF

Affectation des adresses aux différents racks :

- Adresse 0 : Cette adresse est toujours affectée au rack qui supporte:
 - physiquement le processeur TSX P57,
 - virtuellement le processeur PCX 57.
 Ce rack pouvant être situé dans une position quelconque de la chaîne,
- Adresses 1 à 7 : Elles peuvent être affectées dans un ordre quelconque à tous les autres racks de la station.

⚠ Si par erreur, deux ou plusieurs racks sont positionnés involontairement à la même adresse (autre que l'adresse 0), les racks concernés passent en défaut, de même que tous leurs modules.

Après avoir effectué l'adressage correct des racks d'adresse erronée, il est nécessaire d'effectuer une mise sous tension/hors tension de l'alimentation des racks concernés.

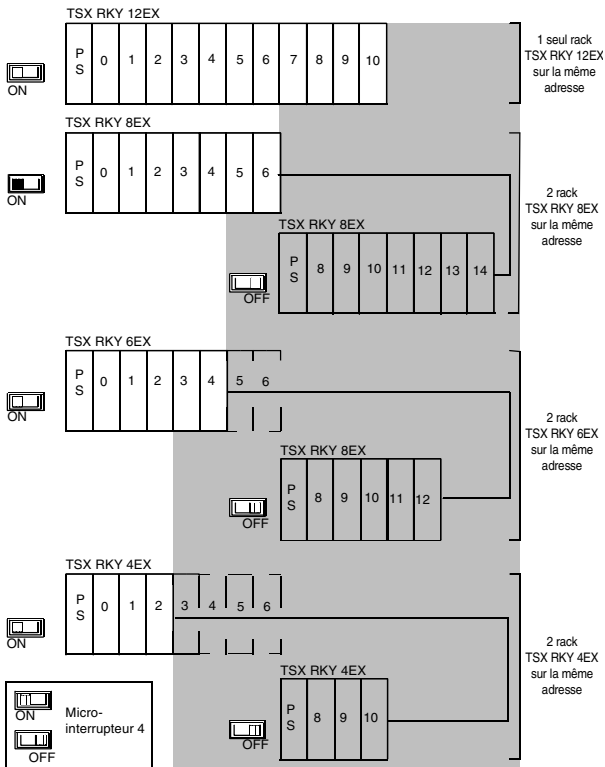
Notes: 1cette remarque ne concerne que les racks de référence TSX RKY ●●EX,

2 si deux ou plusieurs racks sont à l'adresse 0, le rack supportant le processeur ne passe pas en défaut.

Principe d'adressage de 2 racks sur la même adresse (voir schéma de principe ci-contre).

Cette fonctionnalité n'est gérée que par les logiciels PL7 Junior et PL7 Pro de version $V \geq 3.3$

- Les racks TSX RKY 12EX ne pourront pas recevoir un deuxième rack sur la même adresse,
- Les racks TSX RKY 4EX/6EX/8EX pourront être mixés entre eux,
- Deux racks TSX RKY 4EX/6EX/8EX de même adresse ne seront pas forcément chaînés l'un à la suite de l'autre; l'ordre de répartition physique n'aura pas d'importance.



Adresses des modules

L'adresse d'un module est géographique et sera fonction de la position du module dans le rack.
L'adresse de chaque position est indiquée au dessous de chaque connecteur, le connecteur repéré PS est toujours dédié à l'alimentation.

Adresses modules en fonction des types de racks

•Racks standard

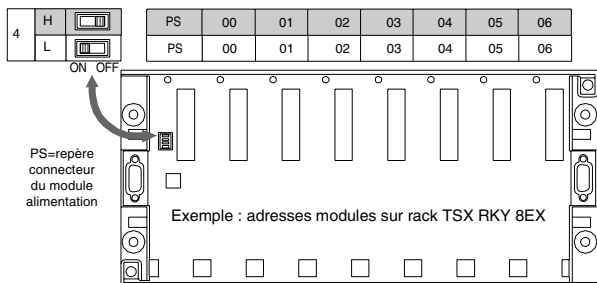
- Racks TSX RKY 6: adresses 00 à 04,
- Racks TSX RKY 8 : adresses 00 à 06,
- Racks TSX RKY 12 : adresses 00 à 10,

•Racks extensibles

L'adresse d'un module sera fonction de la position du micro-interrupteur 4 (voir tableau ci-dessous).

Type de racks	Adresses modules	
	micro-interrupteur 4 en position ON	micro-interrupteur 4 en position OFF
Rack TSX RKY 4EX	00 à 02	08 à 10
Rack TSX RKY 6EX	00 à 04	08 à 12
Rack TSX RKY 8EX	00 à 06	08 à 14
Rack TSX RKY 12EX	00 à 10	non utilisable

Adresses modules



Note: les adresses grisées ne sont accessibles qu'à partir des logiciels PL7 Junior ou PL7 Pro de version V ≥ 3.3

Implantation des modules

•Sur racks standard ou extensible d'adresse 0 avec processeur TSX P57

Le rack d'adresse 0 reçoit obligatoirement un module alimentation et le module processeur. Les automates Premium disposant de deux types d'alimentations (format standard ou double format), la position du processeur sera fonction du type d'alimentation utilisé.

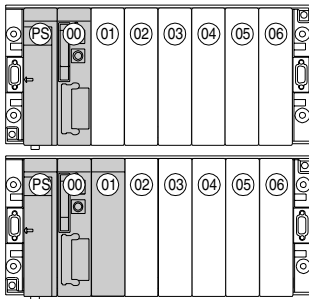
Utilisation d'un module alimentation format standard :

- le module alimentation occupe systématiquement la position PS,

-le module processeur format standard peut être implanté en position 00 (position préférentielle) ou en position 01 (dans ce cas la position 00 est indisponible).

-le module processeur double format est implanté dans les positions 00 et 01 (position préférentielle) ou dans les positions 01 et 02 (dans ce dernier cas la position 00 est indisponible),

-les autres modules sont implantés à partir des positions 01, 02 ou 03 selon l'implantation du processeur.



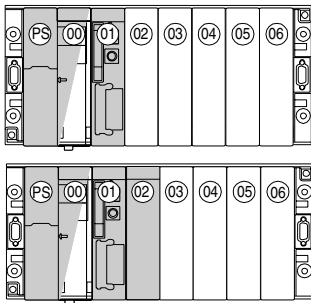
Utilisation d'un module alimentation double format :

-le module alimentation occupe systématiquement les positions PS et 00,

-le module processeur format standard est implanté obligatoirement en position 01,

-le module processeur double format est implanté dans les positions 01 et 02,

-les autres modules sont implantés à partir de la position 02 ou 03 selon le type de processeur (format standard ou double format)..

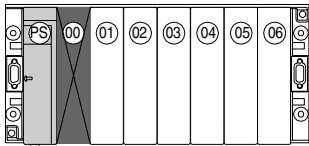


•Sur racks extensible d'adresse 0 avec processeur PCX 57 intégrable dans un PC

Le processeur PCX 57 intégré dans le PC occupe virtuellement une position sur le rack d'adresse 0; cette position virtuelle sera inoccupée. Les automates Premium disposant de deux types d'alimentation (format standard ou double format), la position du processeur sera fonction du type d'alimentation utilisé.

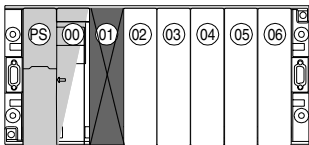
Utilisation d'un module alimentation format standard :

- le module alimentation occupé systématiquement la position PS,
- la position 00, emplacement virtuel du processeur doit être inoccupée.
- les autres modules sont implantés à partir de la position 01.



Utilisation d'un module alimentation double format :

- le module alimentation occupe systématiquement les positions PS et 00,
- la position 01, emplacement virtuel du processeur doit être inoccupée.
- les autres modules sont implantés à partir de la position 02.

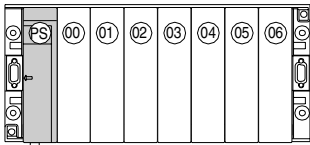


•Sur rack extensible d'adresse 1 à 7

Chaque rack doit être pourvu d'un module alimentation soit au format standard, soit double format.

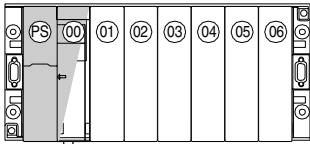
**Utilisation d'un module alimentation
format standard :**

- le module alimentation occupe systématiquement la position PS,
- les autres modules sont implantés à partir de la position 00.



**Utilisation d'un module alimentation
double format :**

- le module alimentation occupe systématiquement les positions PS et 00,
- les autres modules sont implantés à partir de la position 01.

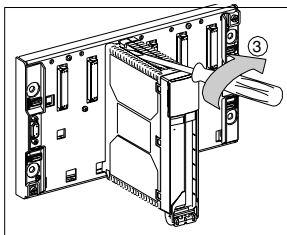
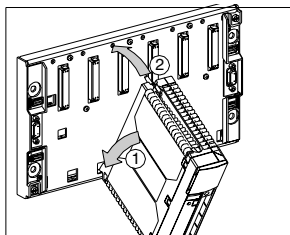


Montage des modules et borniers

Le montage et démontage des modules, peut être effectué sous tension à l'exception des modules alimentation, processeur et des cartes de communication PCMCIA.

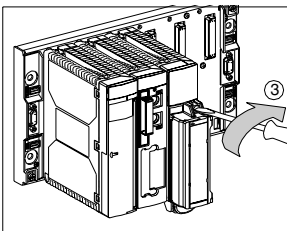
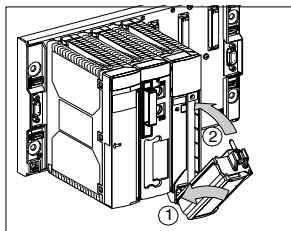
⚠ L'insertion/extraction d'un module sous tension doit se faire obligatoirement par vissage ou dévissage manuel et bornier ou connecteur HE10 déconnecté avec l'alimentation capteurs/pré-actionneurs coupée si celle-ci est supérieure à 48V.

•Montage des modules avec bornier à vis



•Mise en place d'un bornier à vis sur un module

Le premier montage d'un bornier à vis sur un module entraîne le codage du bornier par rapport au module sur lequel il est monté. Ce codage s'effectue par transfert de 2 plots codés du module sur le bornier. Ce code mécanique interdit par la suite le montage du bornier ainsi codé sur un module d'un autre type.



Note: Lors du remplacement d'un module en place sur le rack par un autre module, le bornier à vis connecté sur l'ancien module est déjà pourvu des plots de codage relatifs à celui-ci. Deux cas peuvent se présenter:

- **Module en panne, à remplacer par un module de même type** : afin de pouvoir mettre en place le bornier sur le nouveau module, il sera d'abord nécessaire d'enlever les plots de codage situés sur le nouveau module avant d'effectuer le montage du bornier,
- **Remplacement d'un module par un autre type de module** : extraire d'abord les anciens plots de codage situés sur le bornier avant d'effectuer le montage selon la procédure décrite ci-dessus.

Constitution d'une station automate avec processeur TSX P57

A partir de racks standard TSX RKY 6/8/12

Les racks standard permettent de constituer une station automate limitée à **un seul rack**.

• A partir de racks extensibles TSX RKY 4EX/6EX/8EX/12EX

Les racks extensibles permettent de constituer une station automate pouvant comporter au maximum:

Station TSX P57 10:

-2 racks TSX RKY 12EX,

-4 racks TSX RKY 4EX/6EX/8EX.

Station TSX P57 20/57 30/57 40:

-8 racks TSX RKY 12EX,

-16 racks TSX RKY 4EX/6EX/8EX.

Une même station peut comporter des racks 4, 6, 8 et 12 emplacements qui sont reliés entre eux par des câbles d'extension BusX (repère 1). Le BusX devra être adapté à chacune de ses extrémités par une terminaison de ligne (repère 2).

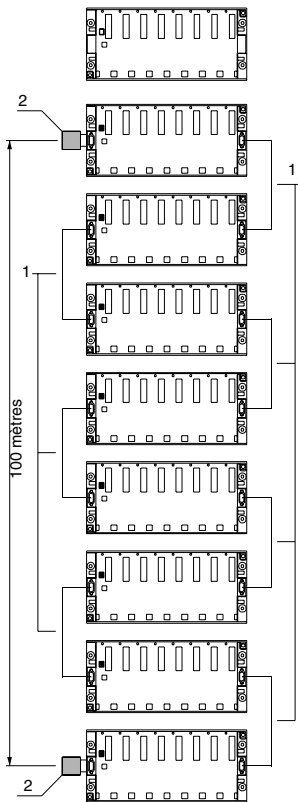
-câbles d'extension BusX

Le raccordement entre racks est réalisé par des câbles TSX CBY ●●0K qui sont raccordés sur le connecteur SUB D 9 points situé à gauche et à droite de chaque rack extensible. Comme il n'existe pas de notion d'arrivée et de départ au niveau des connecteurs SUB D 9 points, l'arrivée d'un câble en provenance d'un rack ou le départ d'un câble vers un autre rack peut être fait indifféremment à partir du connecteur droit ou gauche.

-terminaison de ligne

Les deux racks extensibles situés aux extrémités du Bus X reçoivent **obligatoirement** sur le connecteur non utilisé une terminaison de ligne TSX TLYEX repérées A/ et /B.

-longueur maximale des câbles



La longueur cumulée de l'ensemble des câbles TSX CBY ••0K utilisés dans une station automate ne devra jamais excéder 100 mètres.

Si une station automate TSX P57 nécessite des distances entre racks supérieures à 100 mètres, un module de déport bus X (TSX REY 200) permet à partir du rack supportant le processeur, le déport de deux segments de bus X à une distance maximale de 250 mètres; chaque segment de bus X pouvant avoir une distance maximale de 100 mètres.

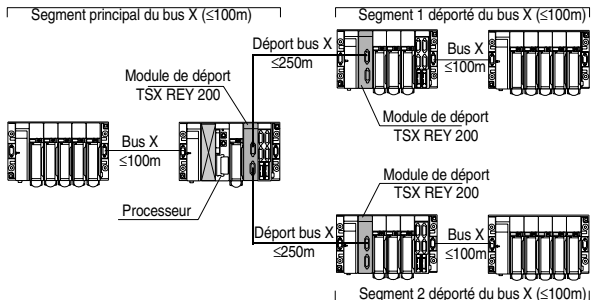
Le nombre maximum de racks de la station demeure identique à celui d'une station sans module de déport:

•Station TSX P57 10:

- 2 racks TSX RKY 12EX,
- 4 racks TSX RKY 4EX/6EX/8EX.

•Station TSX P57 20/57 30/57 40:

- 8 racks TSX RKY 12EX,
- 16 racks TSX RKY 4EX/6EX/8EX.



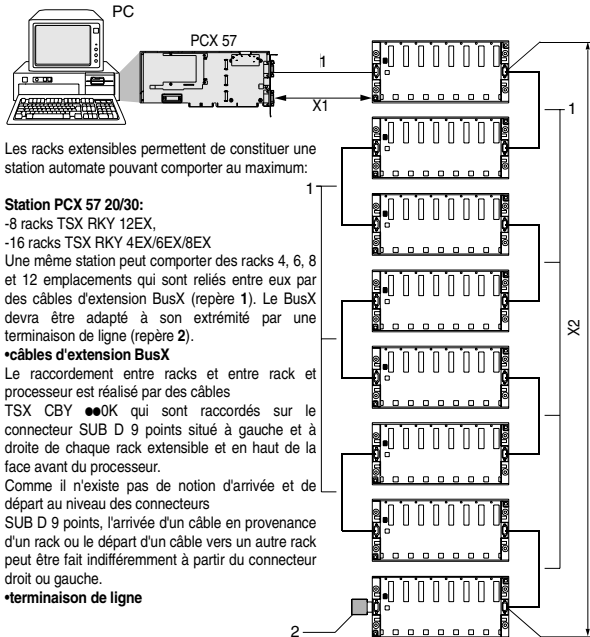
La mise en oeuvre d'un déport de bus X est décrite dans l'instruction de service livrée avec le module TSX REY 200.

Terminologie

- Station TSX 57 10: station équipée d'un processeur TSX P57 10•/15•
- Station TSX 57 20: station équipée d'un processeur TSX P57 20•/25•/2•23
- Station TSX 57 30: station équipée d'un processeur TSX P57 30•/35•/3623
- Station TSX 57 40: station équipée d'un processeur TSX P57 45•/4823

Constitution d'une station automate avec processeur PCX 57

Dans ce cas, la station automate sera constituée à partir de racks extensibles TSX RKY 4EX/6EX/8EX/12EX.



Les racks extensibles permettent de constituer une station automate pouvant comporter au maximum:

Station PCX 57 20/30:

- 8 racks TSX RKY 12EX,
- 16 racks TSX RKY 4EX/6EX/8EX

Une même station peut comporter des racks 4, 6, 8 et 12 emplacements qui sont reliés entre eux par des câbles d'extension BusX (repère 1). Le BusX devra être adapté à son extrémité par une terminaison de ligne (repère 2).

•câbles d'extension BusX

Le raccordement entre racks et entre rack et processeur est réalisé par des câbles TSX CBY ●●0K qui sont raccordés sur le connecteur SUB D 9 points situé à gauche et à droite de chaque rack extensible et en haut de la face avant du processeur.

Comme il n'existe pas de notion d'arrivée et de départ au niveau des connecteurs

SUB D 9 points, l'arrivée d'un câble en provenance d'un rack ou le départ d'un câble vers un autre rack peut être fait indifféremment à partir du connecteur droit ou gauche.

•terminaison de ligne

Le rack extensible situé à l'extrémité du chaînage reçoit **obligatoirement** sur le connecteur non utilisé une terminaison de ligne TSX TLYEX repère 2.

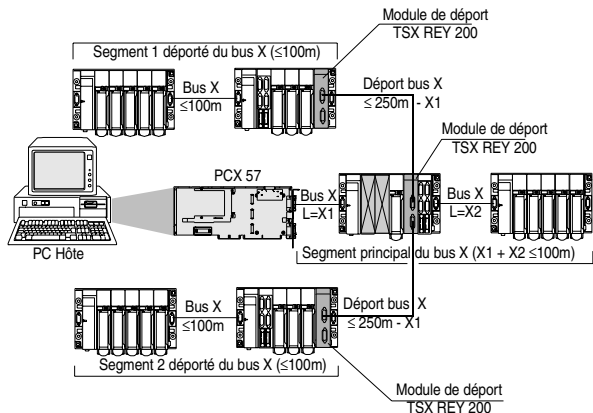
D'origine, le processeur PCX 57 est équipé pour être situé en tête de ligne, en conséquence l'équivalent de la terminaison de ligne A/ est intégrée dans celui-ci.

•**longueur maximale des câbles:** la longueur cumulée ($X1 + X2$) de l'ensemble des câbles TSX CBY ●●0K utilisés dans une station automate ne devra jamais excéder 100 mètres.

Si une station automate PCX 57 nécessite des distances entre racks supérieures à 100 mètres, un module de déport bus X (TSX REY 200) permet à partir du rack supportant virtuellement le processeur, le déport de deux segments de bus X à une distance maximale de 250 mètres; chaque segment de bus X pouvant avoir une distance maximale de 100 mètres.

Le nombre maximum de racks de la station demeure identique à celui d'une station sans module de déport:

- Station PCX 57 20/30:
- 8 racks TSX RKY 12EX,
- 16 racks TSX RKY 4EX/6EX/8EX.



La mise en oeuvre d'un déport de bus X est décrite dans l'instruction de service livrée avec le module TSX REY 200.

Terminologie

- Station PCX 57 20: station équipée d'un processeur TPCX 57 203
- Station PCX 57 30: station équipée d'un processeur TPCX 57 353

Câbles d'extension BusX

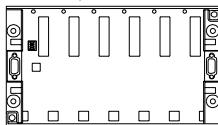
•Câbles d'extension BusX: TSX CBY ●●0K (●● ≥ 02)

Ces câbles, de longueur prédéterminée permettent le chaînage des racks extensibles TSX RKY ●●EX. Dans le cas d'utilisation d'un processeur PCX 57, ils permettent également le raccordement entre le processeur intégré au PC et le premier rack de la station. Ils sont équipés à chaque extrémité d'un connecteur SUB D 9 points.

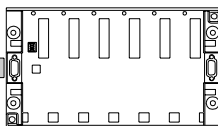
Note: ces câbles ne véhiculent pas de tension d'alimentation, chaque rack ayant son propre module alimentation.

Références	Longueurs
TSX CBY 010K (●● ≥ 02)	1 mètre
TSX CBY 030K (●● ≥ 02)	3 mètres
TSX CBY 050K (●● ≥ 02)	5 mètres
TSX CBY 120K (●● ≥ 02)	12 mètres
TSX CBY 180K (●● ≥ 02)	18 mètres
TSX CBY 280K (●● ≥ 02)	28 mètres
TSX CBY 380K (●● ≥ 02)	38 mètres
TSX CBY 500K (●● ≥ 02)	50 mètres
TSX CBY 720K (●● ≥ 02)	72 mètres
TSX CBY 1000K (●● ≥ 02)	100 mètres

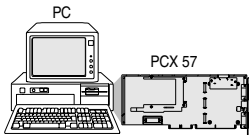
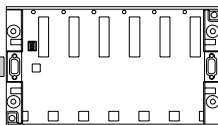
Station avec processeur TSX P57



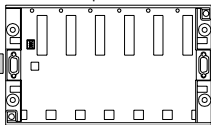
TSX CBY ●●0K



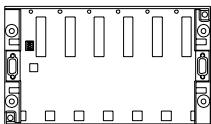
TSX CBY ●●0K



Station avec processeur PCX 57



TSX CBY ●●0K



⚠ La longueur cumulée de l'ensemble des câbles utilisés dans une station automate ne doit pas excéder 100 mètres.

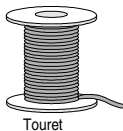
⚠ L'insertion ou l'extraction d'un câble TSX CBY ●●0K doit se faire obligatoirement avec l'ensemble des racks de la station hors tension.

•Câbles d'extension Bus X: TSX CBY 1000 (touret de longueur 100 mètres)

Pour des longueurs de Bus X inférieures à 100 mètres entre 2 racks, mais différentes de celles proposées en câbles équipés de connecteurs, utiliser obligatoirement le câble TSX CBY 1000. Ce câble doit être équipé à chacune de ses extrémités de connecteurs de raccordement TSX CBY K9, à monter par l'utilisateur. La procédure de montage est décrite dans l'instruction de service, livrée avec le câble et les connecteurs.

La mise en oeuvre de ce câble nécessite de disposer des éléments suivants:

-Un touret de câble TSX CBY 1000 avec 2 testeurs pour vérifier le câble après réalisation des divers raccordements,



-Un lot de 2 connecteurs 9 points TSX CBY K9 avec divers accessoires,

-un kit TSX CBY ACC10 comprenant 2 pinces à sertir et un extracteur de contacts à utiliser en cas d'erreur.

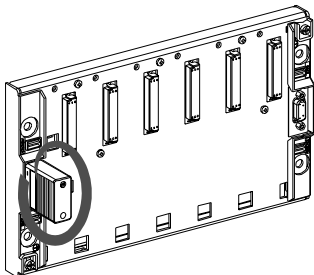


TSX CBY ACC10

**Terminaison de ligne TSX TLYEX**

Dans le cas d'utilisation de racks extensibles, le Bus X doit être adapté à chacune de ses extrémités par une terminaison de ligne constituée d'un connecteur SUB D 9 points et d'un capot contenant les éléments d'adaptation. Cette terminaison de ligne se monte sur le connecteur SUB D 9 points non utilisé des racks extensibles situés en bout de ligne.

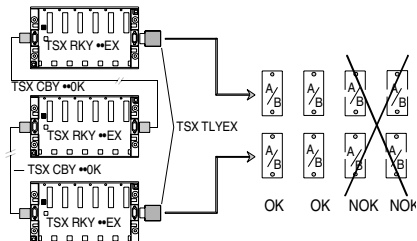
Les terminaisons de ligne TSX TLY EX sont vendues par quantité indivisible de 2 et repérées A/ et /B. Le bus doit comporter obligatoirement une terminaison A/ à l'une de ses extrémités et une terminaison /B à l'autre extrémité sans ordre prédéfini.



⚠ L'insertion ou l'extraction d'une terminaison de ligne doit se faire obligatoirement avec l'ensemble des racks de la station hors tension.

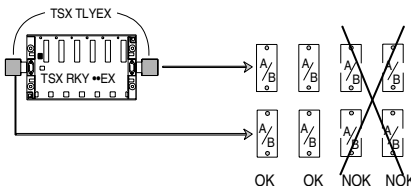
•Positionnement des terminaisons de ligne sur une station automate avec processeur TSX P57

-sur une station automate comportant plusieurs racks extensibles TSX RKY ●●EX.

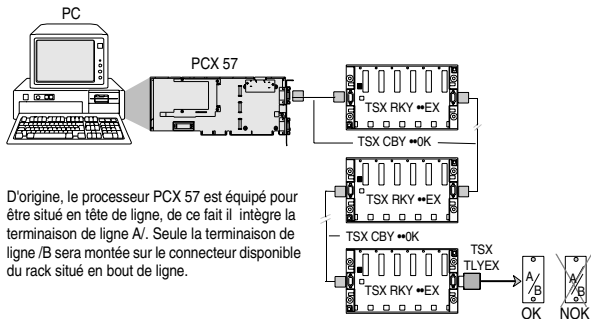


-sur une station automate ne comportant qu'un seul rack extensible.

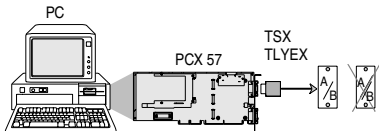
Dans ce cas, il est obligatoire de monter une terminaison de ligne sur chaque connecteur SUB D 9 points du rack



•Positionnement des terminaisons de ligne sur une station automate avec processeur PCX 57

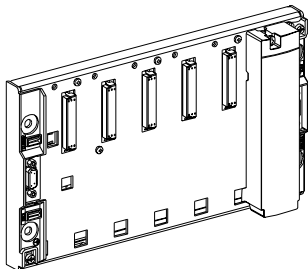
**Cas particulier:**

Dans le cas où aucun élément n'est raccordé sur le connecteur Bus X du processeur, la terminaison de ligne /B doit être installée **obligatoirement** sur ce connecteur.



Câche de protection d'une position innocuée

Si une position est innocuée sur un rack,
il est conseillé de monter dans cette
position un cache TSX RKA 02.



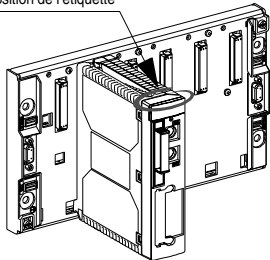
Repérage

•Repérage des positions des modules sur le rack

Chaque rack est livré avec une planche d'étiquettes adhésives permettant de repérer la position de chaque module.

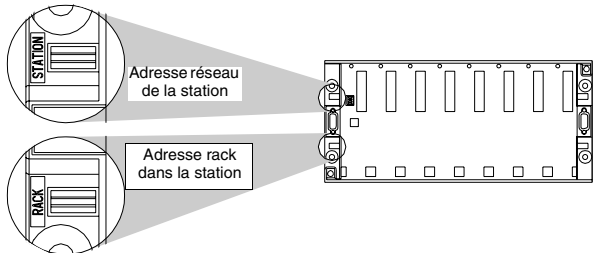
PS	00	01	02	03	04	05	06
07	08	09	10	11	12	13	14

Position de l'étiquette



•Repérage rack

Chaque rack est livré avec un lot de brochettes de repères encliquetables permettant le repérage de l'adresse rack dans la station et de l'adresse réseau de la station.



Présentation

Les modules alimentation TSX PSY ●●● délivrent toutes les tensions nécessaires au fonctionnement des modules installés sur chaque rack TSX RKY ●●●. Chaque rack disposant de son propre module alimentation.

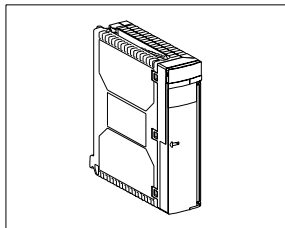
Afin de répondre aux différents besoins, plusieurs types de modules sont proposés:

- Modules pour réseau à courant alternatif 110-220VCA au format standard et double format,
- Modules pour réseau à courant continu 24 VCC non isolé au format standard et double format.
- Module pour réseau à courant continu 24...48 VCC isolé au double format.

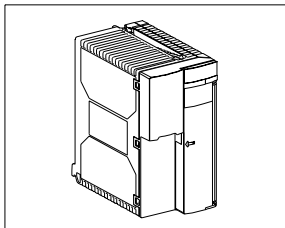
De plus, chaque module dispose en plus de fonctions auxiliaires telles que:

- Un bloc de visualisation,
- Un relais alarme,
- Un emplacement permettant de recevoir une pile pour la sauvegarde des données en mémoire RAM interne du processeur,
- Un bouton poussoir de type pointe de crayon qui simule lorsqu'il est actionné une coupure de l'alimentation, provoquant une reprise à chaud de l'application,
- Une alimentation capteurs 24 VCC (uniquement sur les modules alimentés à partir d'un réseau à courant alternatif.

Modules format standard



Modules double format



Catalogue

Format module	Tension réseau alimentation	Puissance utile totale	Alimentation capteurs	Références
standard	100...240VCA	26W	24VCC / 0.6A	TSX PSY 2600
double	100...120VCA	50W	24VCC / 0.8A	TSX PSY 5500
	200...240VCA	77/85/100W (1)	24VCC / 1.6A	TSX PSY 8500
standard	24 VCC	26W	-	TSX PSY 1610
double	24 VCC	50W	-	TSX PSY 3610
double	24...48 VCC	50W	-	TSX PSY 5520

(1) 77W à 60°C, 85W à 55°C, 100W à 55°C avec un rack ventilé

Description physique

1 Bloc de visualisation comprenant:

- un voyant OK (vert), allumé si le fonctionnement est normal,
- un voyant BAT (rouge), allumé si la pile est défectueuse ou absente,
- un voyant 24V (vert), allumé si la tension capteur est présente et correcte. Voyant présent uniquement sur TSX PSY 2600/5500/8500.

2 Bouton poussoir RESET à pointe de crayon. Provoque une reprise à chaud lorsqu'il est actionné.

3 Emplacement pour pile de sauvegarde mémoire RAM interne du processeur.

4 Volet de protection de la face avant du module.

5 Bornier à vis pour raccordement:

- au réseau d'alimentation,
- du contact du relais alarme,
- de l'alimentation capteur pour les modules alimentés en courant alternatif TSX PSY 2600/5500/8500.

6 Orifice permettant le passage d'un collier de serrage des câbles.

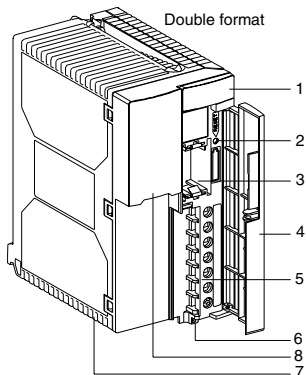
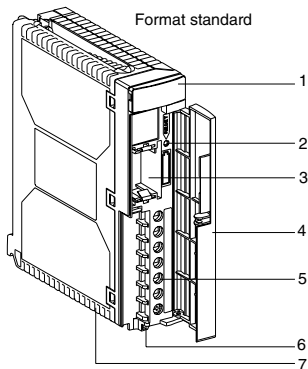
7 Fusible situé sous le module et assurant la protection:

- de la tension 24 VR sur le module alimentation non isolée TSX PSY 3610.
- de la tension primaire sur le module alimentation à courant continu non isolée TSX PSY 1610.

Note: sur les alimentations TSX PSY 2600/5500/5520/8500, le fusible de protection de la tension primaire est interne au module et non accessible.

8 Sélecteur de tension 110/220, présent uniquement sur le module alimentation TSX PSY 5500/8500.

A la livraison, ce sélecteur est positionné sur 220.

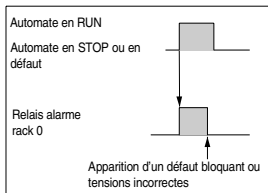


Fonctions auxiliaires

•**Relais alarme** : situé dans chaque module alimentation, ce relais dispose d'un contact libre de potentiel accessible sur le bornier de raccordement du module.

-Relais alarme du module situé sur le rack

supportant le processeur (rack 0) : En fonctionnement normal (automate en RUN), le relais est actionné et son contact fermé (état 1). Sur tout arrêt même partiel, apparition d'un défaut bloquant, tensions de sorties incorrectes ou disparition de la tension secteur, le relais retombe et le contact s'ouvre (état 0).



Note: dans le cas d'utilisation d'un processeur de type PCX 57, le relais alarme n'est pas géré et est donc constamment ouvert. Si cette fonction est indispensable au bon fonctionnement de l'installation, ce relais alarme peut être remplacé par l'utilisation d'une sortie à relais d'un module situé sur le Bus X ou sur le bus FIPIO. Pour cela, cette sortie devra être une sortie à relais configurée avec un repli à 0 et initialisée à l'état 1 en début d'exécution du programme application.

-Relais alarme des modules situés sur les autres racks (racks 1 à 7) :

Dans ce cas, dès la mise sous tension du module alimentation et si les tensions de sorties sont correctes, le relais alarme est actionné et son contact fermé (état 1). Sur disparition de la tension secteur ou si les tensions de sorties sont incorrectes, le relais retombe (état 0).

Ces modes de fonctionnement permettent d'utiliser ces contacts dans des circuits externes à sécurité positive comme par exemple l'asservissement des alimentations des pré-actionneurs..

•**Pile de sauvegarde** : Elle assure la sauvegarde de la mémoire RAM interne du processeur TSX P57. Livrée dans le même conditionnement que le module, elle doit être mise en place par l'utilisateur en respectant les polarités.

-Caractéristiques de la pile : pile au lithium chlorure de thionyle, 3,6V / 0,8 Ah, taille 1 / 2AA.

-Référence en pièce de rechange : TSX PLP 01.

-Contrôle de l'état de la pile : En cas de problèmes, le voyant BAT s'allume. Dans ce cas, changer la pile immédiatement.

-Durée de sauvegarde par la pile:

Température ambiante hors fonctionnement		≤ 30°C	40°C	50°C	60°C
Temps de sauvegarde	Automate hors tension 12Heures/jour	5 ans	3 ans	2ans	1an
	Automate hors tension 1Heure/jour	5 ans	5 ans	4,5ans	4 ans

-Autonomie de sauvegarde durant le changement de la pile : le changement de pile doit s'effectuer avec le module sous tension ou immédiatement après une mise hors tension. Dans ce dernier cas, le temps d'intervention est limité. Au delà d'un certain temps, les données en mémoire RAM peuvent être perdues.

Température ambiante durant la mise hors tension	20°C	30°C	40°C	50°C
Temps de sauvegarde	2h	45mn	20mn	8mn

Note: avec un processeur PCX 57, il est inutile de mettre une pile en place dans l'alimentation du rack accueillant virtuellement le processeur (rack d'adresse 0). Dans ce cas la pile assurant la sauvegarde de la mémoire RAM interne du processeur est montée sur celui-ci.

•**Visualisation** : 3 voyants (OK, BAT, 24V) sur les modules TSX PSY 2600/5500 /8500 et 2 voyants (OK, BAT) sur les modules TSX PSY 1610/3610/5520.



-voyant OK (vert) : allumé en fonctionnement normal, éteint si les tensions de sorties ne sont plus présentes ou correctes,

-voyant BAT (rouge) : allumé si absence de pile, pile usagée, non conforme ou à l'envers et éteint en fonctionnement normal,

-voyant 24V (vert) : allumé en fonctionnement normal, éteint si la tension 24V capteurs n'est plus présente.

•**Bouton poussoir RESET** : les actions sur ce bouton poussoir (pression et relâchement) se traduisent vis à vis de l'application par une reprise à chaud.

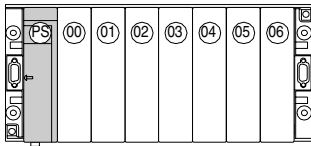
•**Alimentation capteurs** : disponible sur les alimentations à courant alternatif TSX PSY 2600/5500/8500, elle permet l'alimentation en 24 VCC des capteurs.

Implantation / Montage

•Implantation

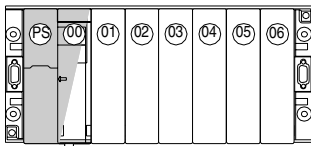
-Modules alimentation au format standard TSX PSY 2600/1610 :

Ils s'implantent dans le premier emplacement de chaque rack TSX RKY ●●● et occupe la position PS,



-Modules alimentation double format TSX PSY 3610/5500/5520/8500 :

Ils s'implantent dans les deux premiers emplacements de chaque rack TSX RKY ●●● et occupe les positions PS et 00.



Note : les modules alimentation sont pourvus d'un système de détrompage qui ne permet leur implantation qu'aux emplacements désignés ci-dessus.

•**Montage** : (voir chapitre "montage des modules" du présent document)

⚠ Un module alimentation TSX PSY ●●● doit être monté ou démonté avec les alimentations externes hors tension.

Caractéristiques

•Alimentations non isolées pour réseau à courant continu

Références modules		TSX PSY 1610	TSX PSY 3610	
Primaire	Tensions nominales	24 VCC	24 VCC	
	Tensions limites (1) (ondulation incluse)	19,2...30 VCC (possible jusqu'à 34V pendant 1H / 24 H)		
	Courant nominal absorbé	≤ 1,5 A à 24 V	≤ 2,7 A à 24 V	
	Mise sous tension initiale à 25°C (2)	I appel	≤ 100 A à 24 V	≤ 150 A
		I _t à l'enclenchement	0,2 As à 24 V	0,5 As à 24 V
		I _{st} à l'enclenchement	12,5 A ² s à 24 V	20 A ² s à 24 V
	Durée micro-coupures acceptées	≤ 1 ms	≤ 1 ms	
Protection intégrée sur entrée + (fusible situé sous le module)	par fusible 5x20,UL temporisé, 3,5 A	non		
Secondaire	Puissance utile totale	30 W	50 W	
	Sortie 5 VCC	Tension nominale	5 VCC	5,1 VCC
		Puissance	15 W	35 W
	Sortie 24VR (3) (24V relais)	Tension nominale	U primaire – 0,6V	U primaire – 0,6V
		Puissance	15 W	19 W
Protection des sorties contre (4)	surcharges/courts-circuits/surtensions			
Puissance dissipée		10 W	15 W	
Conformité aux normes		CEI 1131-2	CEI 1131-2	

(1) dans le cas d'alimentation de modules "sorties à relais" la plage est réduite à 21,6...26,4V.

(2) ces valeurs sont à prendre en compte pour le dimensionnement des dispositifs de protection deligne en amont de l'alimentation.

(3) sortie 24 V --- destinée à l'alimentation des relais des modules "sorties à relais".

(4) la sortie 24 VR est protégée par un fusible situé sous le module (4 A, 5x20, type M).

Alimentation isolées pour réseau à courant continu (suite)

Références modules			TSX PSY 5520
Primaire	Tensions nominales		24...48 VCC
	Tensions limites (ondulation incluse)		19,2...60 VCC
	Courant nominal absorbé		≤ 3 A à 24 V ≤ 1,5 A à 24 V
	Mise sous tension initiale à 25°C (1)	I appel	≤ 15 A à 24 V ≤ 15 A à 24 V
		I _t à l'enclenchement	7 As à 24 V 6 As à 48 V
		I _{pt} à l'enclenchement	50 A ² s à 24 V 55 A ² s à 48 V
	Durée micro-coupures acceptées		≤ 1 ms
Protection intégrée sur entrée +		par fusible interne, non accessible	
Secondaire	Puissance utile totale		50 W
	Sortie 5 VCC	Tension nominale	5,1 VCC
		Puissance	35 W
	Sortie 24VR (2) (24V relais)	Tension nominale	24VCC
		Puissance	19 W
Protection des sorties contre les surcharges/courts-circuits/surtensions			
Puissance dissipée			20 W
Conformité aux normes			CEI 1131-2
Isolement	Tenue diélectrique	primaire/secondaire	2000V eff - 50/60 Hz - 1mn
		primaire/terre	2000V eff - 50/60 Hz - 1mn

(1) ces valeurs sont à prendre en compte pour le dimensionnement des dispositifs de protection de ligne en amont de l'alimentation.

(2) sortie 24 V...: a destinée à l'alimentation des relais des modules "sorties à relais".

Contact du relais alarme

Tension limite d'emploi		19...264VCA	10...30VCC		
Charge courant alternatif	Tensions usuelles	24 VCA	48 VCA	110 VCA	220 VCA
	Puissance sur charge résistive	50 VA	50 VA	110 VA	220 VA
	Puissance sur charge inductive	50 VA	50 VA	110 VA	220 VA
Charge courant continu	Tensions usuelles	24 VCC			
	Puissance sur charge résistive ou inductive	24W			
isolement	contact/masse	2000 Veff - 50/60 Hz - 1 mn			
Protections à intégrer aux bornes de la charge		RC ou MOV en ~, diode décharge en ...			

(1) possible jusqu'à 34 VCC pendant 1 heure par 24 heures

•Alimentation isolées pour réseau à courant alternatif

Références modules			TSX PSY 2600	TSX PSY 5500
Primaire	Tensions nominales		100...240VCA	100...120/ 200...240VCA
	Tensions limites		85...264VCA	85...140/ 190...264VCA
	Fréquence nominale/limite		50-60/47-63Hz	
	Puissance apparente		50VA	
	Courant nominal absorbé		≤ 0,5 A à 100 V ≤ 0,3 A à 240 V	≤ 1,7 A à 100 V ≤ 0,5 A à 240 V
	Mise sous tension initiale à 25°C (2)	I appel	≤ 37 A à 100 V ≤ 75 A à 240 V	≤ 38 A à 100V ≤ 38 A à 100V
		I _t à l'enclenchement	0,034 As à 100 V 0,067 As à 240 V	0,11 As à 100 V 0,11 As à 240 V
		I _t à l'enclenchement	0,63 A ² s à 100 V 2,6 A ² s à 240 V	4 A ² s à 100 V 2 A ² s à 240 V
	Durée micro-coupures acceptées		≤ 10 ms	≤ 10 ms
	Protection intégrée sur phase par fusible		interne non accessible	
Secondaire	Puissance utile totale		26 W	50 W
	Sortie 5 VCC	Tension nominale	5,1 VCC	5,1 VCC
		Puissance	25 W	35 W
	Sortie 24VR (2)	Tension nominale	24 VCC	24 VCC
		Puissance	15 W	19 W
	Sortie 24VC (3)	Tension nominale	24 VCC	24 VCC
		Puissance	12 W	19 W
Protection des sorties contre les surcharges/courts-circuits/surtensions				
Puissance dissipée		10 W	20 W	
Conformité aux normes		CEI 1131-2		
Isolement	Tenue diélectrique	primaire/secondaire	2000V eff - 50/60 Hz - 1mn	
		primaire/terre	2000V eff - 50/60 Hz - 1mn	

(1)ces valeurs sont à prendre en compte pour le dimensionnement des dispositifs de protection de ligne en amont de l'alimentation.

(2)sortie 24 V_{CC} a destinée à l'alimentation des relais des modules "sorties à relais".

(3)sortie 24 V_{CC} a destinée à l'alimentation des capteurs. Elle ne peut pas être mise en parallèle avec une alimentation externe.

•Alimentation isolées pour réseau à courant continu (suite)

Références modules			TSX PSY 8500
Primaire	Tensions nominales		100...120/200...240VCA
	Tensions limites		85...140/170...264VCA
	Fréquence nominale/limite		50-60/47-63Hz
	Puissance apparente		150VA
	Courant nominal absorbé		≤ 1,4 A à 100 V ≤ 0,5 A à 240 V
	Mise sous tension initiale à 25°C (1)	I appel	≤ 30 A à 100 V ≤ 60 A à 240 V
		I _t à l'enclenchement	0,15 As à 100 V 0,15 As à 240 V
		I _t à l'enclenchement	15 A ² s à 100 V 8 A ² s à 240 V
	Durée micro-coupures acceptées		≤ 10 ms
Protection intégrée sur phase par fusible interne non accessible			
Secondaire	Puissance utile totale		77/85/100 W (2)
	Sortie 5 VCC	Tension nominale	5,1 VCC
		Puissance	75 W
	Sortie 24VR (3)	Tension nominale	non fournie
		Puissance	non fournie
	Sortie 24VC (4)	Tension nominale	24 VCC
		Puissance	38 W
Protection des sorties contre les surcharges/courts-circuits/surtensions			
Puissance dissipée		20 W	
Conformité aux normes		CEI 1131-2	
Isolement	Tenue diélectrique	primaire/secondaire	2000V eff - 50/60 Hz - 1mn
		primaire/terre	2000V eff - 50/60 Hz - 1mn

(1) ces valeurs sont à prendre en compte pour le dimensionnement des dispositifs de protection de ligne en amont de l'alimentation.

(2) 77W à 60°C, 85W à 60°C, 100W à 55°C avec rack ventilé par modules ventilation TSX FAN •

(3) sortie 24 V --- non fournie sur cette alimentation. Le montage de modules de sorties à relais est donc interdit sur les racks disposant de ce module alimentation.

(4) sortie 24 V --- destinée à l'alimentation des capteurs. Elle ne peut pas être mise en parallèle avec une alimentation externe.

•Conditions de service des automates Premium**Fonctionnement**

Température ambiante de fonctionnement	0°C...60°C
Humidité relative	10% à 95% (sans condensation)
Altitude	0 à 2000 mètres

Stockage

Température de stockage	- 25°C à + 70°C
Humidité relative	5% à 95% (sans condensation)

Règles de raccordements

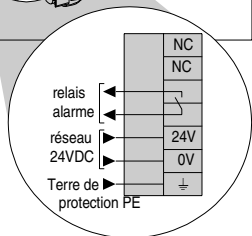
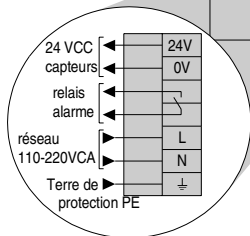
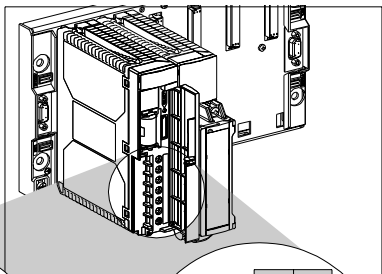
•**Raccordements** : Le bornier des modules alimentation est muni de bornes à vis étrier imperdables permettant le raccordement de 1 fils de section maximale $2,5\text{mm}^2$ ou 2 fils de section $1,5\text{mm}^2$ avec embouts. La sortie des fils s'effectue verticalement vers le bas, ceux-ci pouvant être maintenus par un collier serre-câbles. Pour les alimentations à courant continu, limiter la longueur du câble de raccordement au réseau afin de prévenir les pertes en ligne éventuelles (voir ci-dessous).

Références modules	Longueur câbles
TSX PSY 1610	30 mètres (60 mètres aller/retour) avec fils de cuivre de 2,5 mm 20 mètres (40 mètres aller/retour) avec fils de cuivre de 1,5 mm ²
TSX PSY 3610/5520	(30 mètres aller/retour) avec fils de cuivre de 2,5 mm ² 10 mètres (20 mètres aller/retour) avec fils de cuivre de 1,5 mm ²

•**Couple de serrage des vis à étrier sur bornier** : 0.8 N.m maximum

•**Protections** : Prévoir un dispositif de protection et de coupure de l'alimentation en amont de la station automate.

Note : les alimentations à courant continu ayant un fort courant d'appel, il est déconseillé de les utiliser sur des réseaux à courant continu ayant une protection en limitation de courant ré-entrante (fold back)

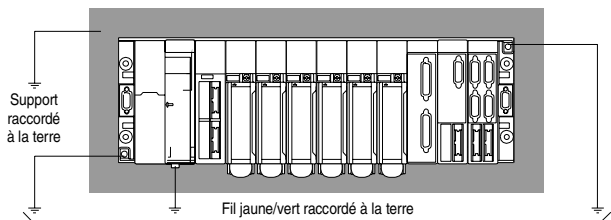


Alimentation pour réseau à courant alternatif :
TSX PSY 2600/5500/8500

⚠ TSX PSY 5500/8500 : positionner le sélecteur de tension en fonction de la tension réseau disponible
110 ou 220 VCA

Alimentation pour réseau à courant continu : TSX PSY 1610/3610/5520
(1) 24...48 VCC pour l'alimentation
TSX PSY 5520

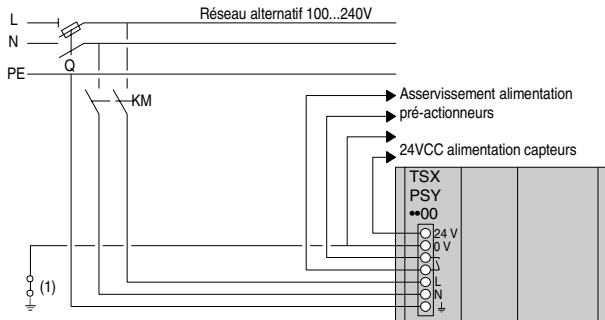
Mise à la terre des racks



Important : Le 0V interne est relié à la masse. La masse devant être elle même reliée à la terre.

Raccordement des alimentations

•Modules TSX PSY 2600 / 5500 / 8500



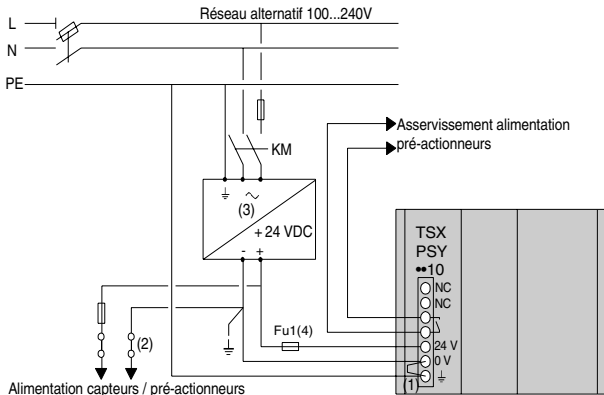
Q:Sectionneur général.

KM :Contacteur de ligne ou disjoncteur.

Ces alimentations sont équipées d'origine d'un fusible de protection en série avec l'entrée L, situé à l'intérieur du module et non accessible .

(1) barette d'isolement pour recherche d'un défaut de mise à la masse.

• Modules d'alimentation non isolés TSX PSY 1610/3610



Q: Sectionneur général.

KM : Contacteur de ligne ou disjoncteur.

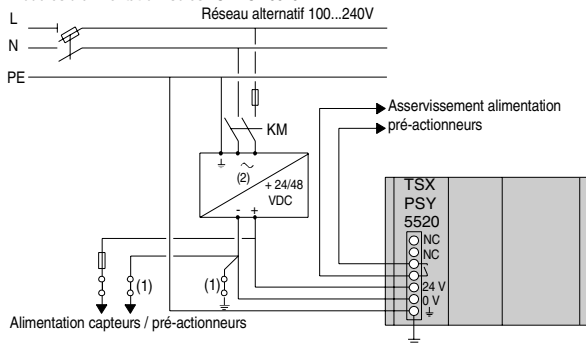
(1) shunt externe fourni avec le module alimentation

(2) barette d'isolement pour recherche d'un défaut de mise à la masse. Il est nécessaire dans ce cas de débrancher l'alimentation afin de déconnecter le réseau de la masse.

(3) possibilité d'utiliser une alimentation process TSX SUP 1●●1

(4) fusible de protection externe (4 A, type temporisé) uniquement sur module TSX PSY 3610. Le module TSX PSY 1610 est équipé d'origine d'un fusible de protection (3,5A, 5x20, UL, type temporisé), situé sous le module et en série avec l'entrée 24V.

•Modules d'alimentation isolés TSX PSY 5520



Q:Sectionneur général.

KM :Contacteur de ligne ou disjoncteur.

(1) barette d'isolement pour recherche d'un défaut de mise à la masse

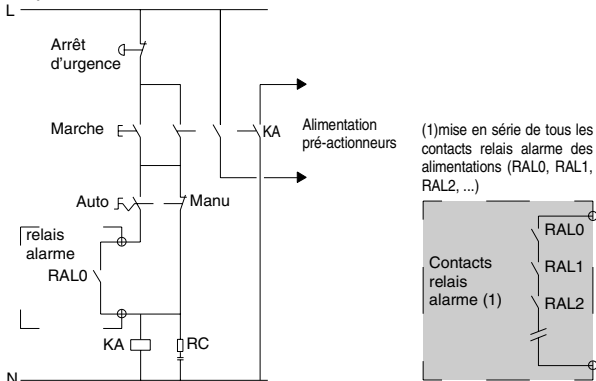
(2)possibilité d'utiliser une alimentation process TSX SUP 1●●1

Le module TSX PSY 5520 est équipé d'origine d'un fusible de protection en série avec l'entrée 24V, situé à l'intérieur du module et non accessible .

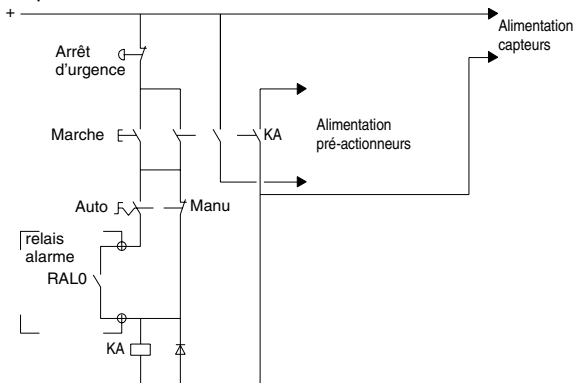
Raccordement du relais alarme

Asservissement des alimentations capteurs et pré-actionneurs

•Exemple 1: station automate alimentée en courant alternatif



•Exemple 2: station automate alimentée en courant continu



Présentation

Une large gamme de processeurs, de performances et capacités croissantes est proposée pour répondre au mieux aux différents besoins des utilisateurs (voir liste des caractéristiques située à la section à la fin du chapitre Processeurs).

Les processeurs TSX P57 sont intégrables sur racks TSX RKY**.

Ils gèrent l'ensemble d'une station automate constituée de modules d'entrées/sorties TOR, de modules analogiques et de modules métier (comptage, commande d'axes, commande pas à pas, communication,) qui sont réparties sur un ou plusieurs racks connectés sur le Bus X.

Chaque processeur intègre :

- une mémoire RAM interne sauvegardée qui peut recevoir le programme application et qui peut être étendue par une carte d'extension mémoire PCMCIA (RAM ou FLASH EPROM),
- un horodateur,
- 2 prises terminal (TER et AUX) (uniquement TER pour les TSX P57 554/5634) qui permettent de raccorder simultanément plusieurs équipements (terminal de programmation, terminal de dialogue opérateur, ...),
- un emplacement pour une carte de communication PCMCIA (Modbus+, FIPWAY, FIPIO Agent, UNI-TELWAY, liaisons séries).
- une liaison FIPIO maître sur les TSX P57 •5• et TSX P57 •8•
- une liaison Ethernet sur les TSX P57 ••23 et TSX P57 ••34.
- une liaison USB sur les TSX P57 554/5634

Selon sa référence commerciale, un processeur Premium peut être configuré et programmé par l'atelier logiciel PL7 ou Unity Pro.

De façon générale, tous les processeurs dont la référence commerciale se termine par "3" sont programmés par PL7. Ceux dont la référence commerciale se termine par "4" sont programmés par Unity Pro. Toutefois, certains processeurs programmés par PL7 peuvent être mis à niveau pour être programmés par Unity Pro.

Unity Pro constitue une nouvelle génération d'atelier logiciel qui offre des compléments de services de programmation et d'exploitation par rapport à PL7:

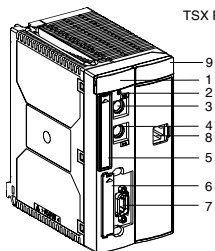
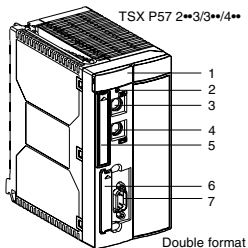
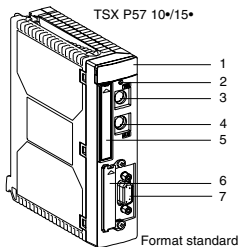
Un langage supplémentaire: le diagramme en blocs fonctions (FBD).

La possibilité de créer des types structure (DDTs) imbriquées entre-elles.

La possibilité d'imbriquer les DFBs.

Enfin, des services complémentaires de diagnostic, comme la recherche de cause d'une erreur dans la logique du programme.

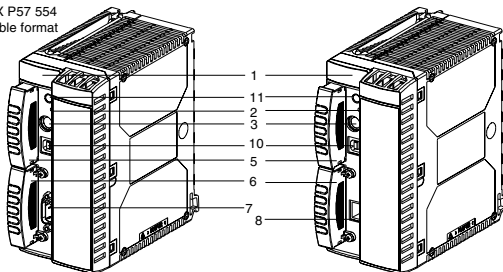
Description physique



Double format
(avec liaison Ethernet embarquée)

TSX P57 5634
double format
(avec liaison Ethernet embarquée)

TSX P57 554
double format



- 1 Bloc de visualisation comprenant 4 à 6 voyants selon modèle :**
- voyants RUN, ERR, I/O, TER sur tous les processeurs,
 - voyant FIP sur les processeurs équipés d'une liaison FIPIO maître intégrée (TSX P57 •5• et TSX P57 •8••).
 - voyants STS, ACT, sur les processeurs équipés d'une liaison Ethernet (TSX P57 •63• et TSX P57 •8••)
- 2 Bouton RESET** à pointe de crayon provoquant un démarrage à froid de l'automate lorsqu'il est actionné.
- Processeur en fonctionnement normal : démarrage à froid en STOP ou en RUN, selon procédure définie en configuration.
 - Processeur en défaut : démarrage forcé en STOP.
- 3 Prise terminal** : connecteur TER (mini-DIN 8 points). Elle permet de raccorder un terminal de type FTX ou compatible PC, ou de connecteur l'automate au bus Uni-Telway au travers du boîtier d'isolement TSX P ACC 01. Ce dernier permet d'alimenter en 5V le périphérique qui lui est raccordé (dans la limite du courant disponible fourni par l'alimentation).
- 4 Prise terminal** : connecteur AUX (mini-DIN 8 points). Elle permet de raccrocher un périphérique auto-alimenté (terminal, pupitre de dialogue opérateur ou imprimante (pas de fourniture de tension sur ce connecteur).
- 5 Emplacement pour une carte d'extension mémoire au format PCMCIA type 1.**
- ⚠ En l'absence de carte mémoire, cet emplacement est équipé d'un cache qu'il est obligatoire de maintenir en place; son extraction provoquant l'arrêt du processeur.
- 6 Emplacement pour une carte de communication au format PCMCIA type 3** qui permet le raccordement au processeur d'une voie de communication Fipway, Fipio Agent, Uni-Telway, liaison série, Modbus, Modbus Plus, ...
- Cet emplacement peut aussi contenir une carte de stockage de fichiers SRAM (pour les processeurs TSX P57 554/5634).
- En l'absence de carte de communication, cet emplacement est équipé d'un cache.
- 7 Connecteur SUB D 9 points** pour raccordement du bus FIPIO maître. Ce connecteur n'est présent que sur les processeurs TSX P57 •5• et TSX P57 •8••.
- 8 Connecteur RJ 45** pour raccordement au réseau Ethernet. Ce connecteur n'est présent que sur les processeurs TSX P57 ••23, TSX P57 ••34 et TSX P57 554.
- 9 Bloc de visualisation de l'ETY PORT** comprenant 6 voyants :
- voyants RUN (vert), ERR (rouge), COL (rouge), STS (jaune), TX (jaune) et RX (jaune).
- 10 Port USB** : Il permet de raccorder un terminal de programmation. Ce connecteur n'est présent que sur les processeurs TSX P57 554/5634.
- 11 Bouton de demande d'extraction de la carte PCMCIA de stockage de fichiers SRAM.**
- Ce bouton doit être appuyé avant d'extraire la carte, une led indique l'état de la demande.
- Note** : Le connecteur (TER) et le connecteur (AUX) proposent par défaut le mode de communication Uni-Telway maître à 19 200 bauds et par configuration le mode Uni-Telway esclave ou le mode caractère ASCII.

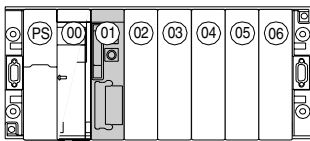
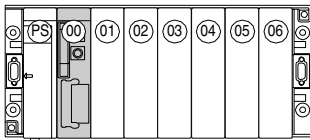
• Implantation d'un module processeur au format standard

Le module processeur TSX P57 au format standard s'implante sur un rack TSX RKY **, en position 00 ou 01 selon le type de module d'alimentation utilisé (format standard ou double format) :

-si le rack est équipé d'un module d'alimentation au format standard TSX PSY 1610/2600, le processeur s'installe en position 00 (position préférentielle) ou en position 01, dans ce cas la position 00 est indisponible.

-si le rack est équipé d'un module d'alimentation double format TSX PSY 3610/5500/5520, 8500, le processeur s'installe en position 01.

⚠ Le montage du module processeur sur le rack doit obligatoirement s'effectuer avec l'alimentation du rack HORS TENSION.



• Implantation d'un module processeur double format

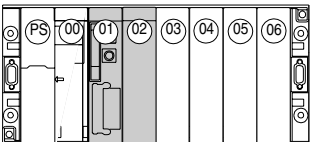
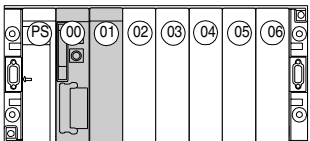
Le module processeur TSX P57 double format s'implante sur un rack TSX RKY **, en position 00 et 01 ou 01 et 02 selon le type de module d'alimentation utilisé (format standard ou double format) :

-si le rack est équipé d'un module d'alimentation au format standard TSX PSY 1610/2600, le processeur s'installe en position 00 et 01 (positions préférentielles) ou en position 01 et 02, dans ce dernier cas la position 00 est indisponible.

-si le rack est équipé d'un module d'alimentation double format

TSX PSY 3610/5500/5520, 8500, le processeur s'installe en position 01 et 02.

⚠ Le montage du module processeur sur le rack doit obligatoirement s'effectuer avec l'alimentation du rack HORS TENSION.



Pour le montage des modules sur le rack, se reporter à l'instruction de service des racks.

Précautions

⚠ Dans le cas du remplacement d'un processeur TSX P57 par un autre processeur non vierge (processeur ayant déjà été programmé et contenant une application), il est obligatoire de couper la puissance sur tous les organes de commande de la station automate. Avant de remettre la puissance sur les organes de commande, s'assurer que le processeur contient bien l'application prévue.

⚠ Manipuler les processeurs TSX P57 0244/1•4 avec précaution en raison de la température élevée (85°C) de leur radiateur.

⚠ Pour les processeurs TSX P57 0244/104/154, le module accolé au processeur ne doit pas avoir une puissance dissipée supérieure à :

10W pour une température ambiante de fonctionnement de 60°C,

16W pour une température ambiante de fonctionnement de 25°C.

Dans le cas contraire il devra être installé sur un autre emplacement du rack.

Fonctions auxiliaires

•Prise terminal et prise auxiliaire

2 connecteurs mini-DIN 8 points (liaison RS 485 non isolée) permettent de raccorder respectivement

-TER : un terminal de type FTX ou compatible PC ou de connecter l'automate au bus UNI-TELWAY, au travers du boîtier d'isolement TSX P ACC 01. Cette prise fournit l'alimentation 5 V pour alimenter le périphérique qui lui est raccordé,

-AUX : un terminal de dialogue opérateur ou une imprimante. Cette prise ne fournit pas l'alimentation 5 V.

Par défaut, les prises " TER et AUX" proposent le mode de communication UNI-TELWAY maître à 19200 bauds et par configuration le mode UNI-TELWAY esclave ou caractères ASCII.

Les câbles adaptés pour ces prises sont les câbles

TSX PCX 1031 et TSX PCX 3030.

•Port USB

1 connecteur de type série "B" permet de raccorder un terminal de programmation.

La prise USB utilise le protocole USB V1.1 à 12 Mbits/s.

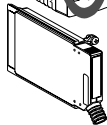
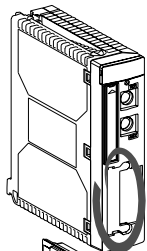
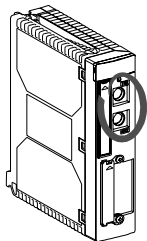
Le câble de liaison est le câble XCA USB 033.

• Emplacement pour carte de communication PCMCIA

Cet emplacement, en face avant du processeur, permet de recevoir une carte de communication, au format PCMCIA type 3 :

- TSX SCP 111 : multiprotocole RS 232 D,
- TSX SCP 112 : multiprotocole boucle de courant 20 mA,
- TSX SCP 114 : multiprotocole RS 485, compatible RS 422 isolée,
- TSX MBP 100: Modbus +,
- TSX FPP 10 / 20 : FIPIO Agent / FIPWAY,
- TSX FPP 200 : FIPWAY,
- FCS SCP 111 : protocole spécifique sur support RS 232,
- FCS SCP 114 : protocole spécifique sur support RS 485,
- TSX CPP 100/110 : CAN OPEN.

⚠ La mise en place/extraction d'une carte de communication s'effectue obligatoirement processeur HORS TENSION.



Carte PCMCIA
de communication

• Mémoire RAM interne

Cette mémoire reçoit l'application (données, programme et constantes) et sa capacité varie selon le type de processeur

Si la taille de l'application est supérieure à celle de la RAM, il est possible d'étendre la mémoire par une carte d'extension mémoire PCMCIA. Dans ce cas, le programme et les constantes sont mémorisés dans la carte d'extension mémoire PCMCIA et les données dans la mémoire RAM interne.

La mémoire RAM interne peut être sauvegardée par une pile optionnelle (TSX PLP 01),

située dans le module alimentation.

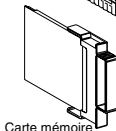
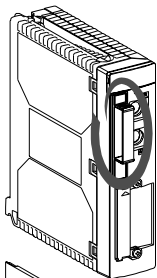
La sauvegarde de l'application n'est effective que si les modules alimentation et processeur restent en place sur le rack. (voir durée de sauvegarde mémoire RAM interne).

(1) Lorsque l'application est en RAM interne, la capacité mémoire est limitée à 96 Kbytes.

Lorsque l'application est en carte PCMCIA, la capacité mémoire RAM interne est portée à 176 Kbytes.

• Emplacement pour carte d'extension mémoire PCMCIA

Cet emplacement, en face avant du processeur, permet de recevoir une carte mémoire optionnelle au format PCMCIA type 1. **En l'absence de carte, il est obligatoire de maintenir le cache en place.**



Carte mémoire

3 familles de cartes sont proposées :

- **Cartes mémoire standard** : Deux types sont proposés :

- **RAM sauvegardée** pour les phases de création et de mise au point du programme application. La sauvegarde est réalisée par une pile amovible contenue dans la carte,
- **FLASH EPROM** lorsque le programme application est opérationnel (mise au point terminée),

- **Carte mémoire de type BACKUP** pour charger le programme en RAM interne, sans l'utilisation d'un terminal. Une telle carte nécessite d'être au préalable chargée avec le programme application dont la taille doit être < à 32 Kbytes.

- Cartes mémoire de type application + fichiers

Elles disposent en plus de la zone de stockage application traditionnelle:

- d'une zone fichier permettant d'archiver des données par programme,
- d'une zone permettant l'archivage de la base de symboles de l'application. Cette base de symboles est compressée pour tenir sans aucune contrainte dans la zone qui lui est allouée. Cette zone n'existe que sur certaines cartes.

Deux types de carte sont proposées :

- carte extension mémoire application + fichiers de type RAM sauvegardée. La mémoire est sauvegardée par une pile amovible intégrée dans la carte mémoire,
- carte extension mémoire application + fichiers de type FLASH EPROM. Dans ce cas, la zone de stockage de données est en RAM sauvegardée, ce qui implique que ce type de carte doit être équipé d'une pile de sauvegarde.

⚠ La mise en place / extraction d'une carte mémoire peut s'effectuer **SOUS TENSION** (provoque un démarrage à froid). Pour être opérationnelle, une carte mémoire doit être équipée d'un préhenseur. Si le programme contenu dans la carte mémoire PCMCIA comporte l'option RUN AUTO, le processeur démarrera automatiquement en RUN après insertion de la carte.

Référence des cartes d'extension mémoire PCMCIA de type standard et backup (cartes compatibles PL7):

Réf.	Type	Capacité	Compatibilité processeurs TSX P57			
			P57 1•3	P57 2•3 P57 2•23	P57 3•3 P57 3623	P57 453 P57 4823
TSX MRP 032P	RAM	32 K16	Oui	Oui	Oui	Oui
TSX MRP 064P	RAM	64 K16	Oui	Oui	Oui	Oui
TSX MRP 0128P	RAM	128 K16	Non	Oui	Oui	Oui
TSX MRP 0256P	RAM	256 K16	Non	Oui	Oui	Oui
TSX MFP 032P	FLASH EPROM	32 K16	Oui	Oui	Oui	Oui
TSX MFP 064P	FLASH EPROM	64 K16	Oui	Oui	Oui	Oui
TSX MFP 0128P	FLASH EPROM	128 K16	Non	Oui	Oui	Oui
TSX MFP BAK032P	RAM/Backup	32 K16	Oui	Oui	Oui	Oui

Référence des cartes d'extension mémoire PCMCIA de type standard et backup (cartes compatibles Unity Pro):

Réf.	Type/Capacité		Capacité mémoire maximale gérée par les processeurs (K8 = kilo octets)					
	Application	Data	TSX 57 0244	TSX 57 1•4	TSX 57 2•4	TSX 57 3•4	TSX 57 4•4	TSX 57 5•4
TSX MRPP 128K	RAM/128K8	0	Limitée à 128K8	Totalité	Totalité	Totalité	Totalité	-
TSX MRPP 224K	RAM/224K8	0	Limitée à 128K8	Totalité	Totalité	Totalité	Totalité	-
TSX MRPP 384K	RAM/384K8	0	Limitée à 128K8	Limitée à 224K8	Totalité	Totalité	Totalité	-
TSX MFPP 128K	FLASH EPROM/ 128K8	0	Limitée à 128K8	Totalité	Totalité	Totalité	Totalité	-
TSX MFPP 224K	FLASH EPROM / 224K8	0	Limitée à 128K8	Totalité	Totalité	Totalité	Totalité	-
TSX MFPP 384K	FLASH EPROM/ 384K8	0	Limitée à 128K8	Limitée à 224K8	Totalité	Totalité	Totalité	-

TSX MFPP 512K	FLASH EPROM/ 512K8	0	Limitée à 128K8	Limitée à 224K8	Totalité	Totalité	Totalité	Totalité
TSX MFPP 001M	FLASH EPROM/ 1024K8	0	Limitée à 128K8	Limitée à 224K8	Limitée à 768K8	Totalité	Totalité	Totalité
TSX MFPP 002M	FLASH EPROM/ 2048K8	0	-	Limitée à 224K8	Limitée à 768K8	Totalité	Totalité	Totalité
TSX MFPP 004M	FLASH EPROM/ 4096K8	0	-	Limitée à 768K8	Limitée à 1792K8	Totalité à 2048K8	Totalité	Totalité
TSX MFP B 096K	RAM/Backup	96 K8	Limitée à 96K8	Totalité	Totalité	Totalité	Totalité	Totalité

Note : Toutes les cartes PCMCIA peuvent être insérées dans n'importe quel processeur à l'exception des processeurs TSX P57 554/5634 qui n'acceptent pas les cartes de faible capacité TSX MRPP128/224/384K et TSX MFPP128/224/384K.

La taille application utilisable est limitée aux caractéristiques du processeur.

Référence des cartes d'extension mémoire de type application + stockage de données ou symboles (cartes compatibles PL7) :

Réf.	Type / Capacité			Compatibilité processeurs TSX P57			
	Zone application	Zone Data (RAM)	Zone symbole (RAM)	P57 1*3	P57 2*3 P57 2*23	P57 3*3 P57 3623	P57 453 P57 4823
TSX MRP 232P	RAM/32 K16	128 K16	-	Oui	Oui	Oui	Oui
TSX MRP 264P	RAM/64 K16	128 K16	-	Oui	Oui	Oui	Oui
TSX MRP 2128P	RAM/128 K16	128 K16	128 K16	Non	Oui	Oui	Oui
TSX MRP 3256P	RAM/256 K16	640 K16	128 K16	Non	Oui	Oui	Oui
TSX MRP 3384P	RAM/384 K16	640 K16	-	Non	Oui	Oui	Oui
TSX MRP 0512P	RAM/512 K16	-	256 K16	Non	Oui	Oui	Oui
TSX MRPC 007M	RAM/960K16	384 K16	640 K16	Non	Non	Non	Oui (*)
TSX MFP 232P	FLASH/EPROM 32 K16	128 K16	-	Oui	Oui	Oui	Oui
TSX MFP 232P	FLASH/EPROM 32 K16	128 K16	-	Oui	Oui	Oui	Oui

(*) Usage réservé

⚠ Pour la TSX MRPC 007M, la zone application de 960K16 est répartie en 2*480K16 :

- 480K16 pour le code exécutable,
- 480K16 pour les commentaires et informations graphiques.

Référence des cartes d'extension mémoire type application + stockage de données (cartes compatibles Unity Pro):

Réf.	Type	Capacité		Capacité mémoire maximale gérée par les processeurs (K8 = kilo octets) (1)					
	Type	Appl.	Zone Data	TSX 57 0244	TSX 57 1•4	TSX 57 2•4	TSX 57 3•4	TSX 57 4•4	TSX 57 5•4
TSX MRPC 448K (2)	RAM	448K8	448K8	-	Limitée à 224/ 256K	Totalité	Totalité	Totalité	-
		96 à 448K8	0 à 352K8						
TSX MRPC 768K (2)	RAM	768K8	768K8	-	Limitée à 224/ 256K	Totalité	Totalité	Totalité	Totalité
		192 à 768K8	0 à 576K8						
TSX MRPC 001M (2)	RAM	1024K8	1024K8	-	Limitée à 224/ 256K	Limitée à 768/832K	Totalité	Totalité	Totalité
		192 à 1024K8	0 à 832K8						
TSX MRPC 001M7 (2)	RAM	1024K8	1024K8	-	Limitée à 224/ 256K	Limitée à 768/832K	Totalité	Totalité	Totalité
		192 à 1024K8	0 à 832K8						
TSX MRPC 002M (2)	RAM	2048K8	2048K8	-	Limitée à 224/ 256K	Limitée à 768/ 2880K	Limitée à 1792/ 2880K	Totalité	Totalité
		192 à 2048K8	0 à 1856K8						
TSX MRPC 003M (2)	RAM	3072K8	3072K8	-	Limitée à 224/ 256K	Limitée à 768/ 2880K	Limitée à 1792/ 2880K	Limitée à 2048/ 2880K	Totalité
		192 à 3072K8	0 à 2880K8						
TSX MRPC 007M (2)	RAM	7168K8	7168K8	-	Limitée à 224/ 256K	Limitée à 768/ 2880K	Limitée à 1792/ 2880K	Limitée à 2048/ 6976K	Limitée à 4096/ 6976K
		192 à 7168K8	0 à 6976K8						
TSX MCPC 224K	Flash EPROM	224K8	256K8	Limitée à 128/ 256K	Totalité	Totalité	Totalité	Totalité	-
TSX MCPC 512K	Flash EPROM	512K8	512K8	Limitée à 128/ 256K	Limitée à 224/ 256K	Totalité	Totalité	Totalité	Totalité
TSX MCPC 002M	Flash EPROM	2048K8	1024K8	Limitée à 128/ 256K	Limitée à 224/ 256K	Limitée à 768/ 1024K	Limitée à 1792/ 1024K	Totalité	Totalité

(1) notation des limites : le premier nombre mentionne la limite de la zone application, le second la limite de la zone Data, exemple : limitée à 224/256K signifie zone application limitée à 224K8 et zone Data limitée à 256K8.

(2) PCMCIA ayant leurs zones mémoire application et fichiers de capacité flottante et non figée.

Toutes les cartes PCMCIA peuvent être insérées dans n'importe quel processeur à l'exception des processeurs TSX P57 554/5634 qui n'acceptent pas les cartes de faible capacité TSX MCPC 224K et TSX MRPC 448K. La taille application utilisable est limitée aux caractéristiques du processeurs.

Référence des cartes mémoire de type stockage de données (cartes compatibles PL7)

Références	Type / Capacité	Compatibilité processeurs TSX P57		
	Zone fichier (RAM)	P57 2*3 P57 2*23	P57 3*3 P57 3623	P57 453 P57 4823
TSX MRP DS 2048 P	2048 K16	Oui	Oui	Oui

Référence des cartes d'extension mémoire de type stockage de données

Réf.	Type	Capacité		Capacité mémoire maximale gérée par les processeurs (K8 = kilo octets)				
		Appli.	Zone Data (RAM)	TSX 57 0244/1*4	TSX 57 2*4	TSX 57 3*4	TSX 57 4*4	TSX 57 5*4
TSX MRPF 004M	RAM	0	4096K8	-	4096K8	4096K8	4096K8	4096K8
TSX MRPF 008M	RAM	0	8192K8	-	8192K8	8192K8	8192K8	8192K8

Toutes les cartes PCMCIA peuvent être insérées dans n'importe quel processeur à l'exception des processeurs TSX P57 0244 et 1*4.

•Bouton RESET

Une action sur ce bouton poussoir à pointe de crayon, provoque un démarrage à froid de l'application :
 -processeur en fonctionnement : démarrage en STOP ou en RUN suivant configuration,
 -processeur en défaut : démarrage forcé en STOP.

•Fonction RUN/STOP

Elle permet la mise en exécution ou l'arrêt du programme application, depuis un terminal de programmation ou une entrée TOR définie en configuration. La mise en STOP depuis cette entrée physique est prioritaire par rapport à la mise en RUN depuis un terminal.

•Horodateur

L'horodateur intégré au processeur gère la date et l'heure courante ainsi que la date et l'heure du dernier arrêt de l'application. Cette gestion s'effectue même lorsque le processeur est hors tension, à la condition qu'il soit monté sur le rack avec le module d'alimentation, équipé d'une pile de sauvegarde.

⚠ Le démontage du processeur provoque la perte de la date et de l'heure au bout d'un certain temps.

•Durée de sauvegarde RAM interne et horodateur

-Durée de sauvegarde par la pile

Température ambiante hors fonctionnement		≤30°C	40°C	50°C	60°C
Temps de sauvegarde	Automate hors tension 12 Heures/jour	5 ans	3 ans	2 ans	1 ans
	Automate hors tension 1 Heure/jour	5 ans	5 ans	4,5 ans	4 ans

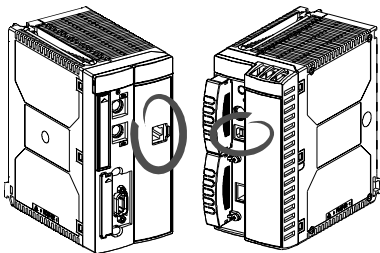
-Autonomie de sauvegarde durant le changement de la pile (automate hors tension) ou le démontage du module alimentation ou processeur. Le temps d'intervention est limité; au delà d'un certain temps, les données en mémoire RAM peuvent être perdues.

Température ambiante durant la mise hors tensions	20°C	30°C	40°C	50°C
Temps de sauvegarde	2h	45mn	20mn	8mn

•Liaison Ethernet sur TSX P57 **23/34**

Certains processeurs disposent d'une liaison Ethernet embarquée, permettant de gérer 64 connexions TCP en utilisant le service messagerie port 502, de scruter 64 équipements au maximum en utilisant le service IO Scanning.

Une prise RJ45 permet le raccordement au réseau Ethernet.



•Liaison FIPIO maître sur TSX P57 •5• et TSX P57 •8•

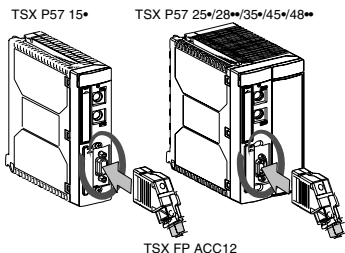
Certains processeurs disposent d'une liaison FIPIO maître intégrée permettant de gérer un bus FIPIO sur lequel peuvent être connectés 1 à 127 équipements tels que :

- des modules d'E/S déportés de type Momentum et TBX (TOR et analogiques),
- des pupitres de commande de type CCX 17,
- des variateurs de vitesse de type ATV58,
- des équipements conformes aux profils standard, ...

Un connecteur SUB D 9 points situé sur

le plastron avant permet le raccordement au bus FIPIO par l'intermédiaire d'un connecteur TSX FP ACC12.

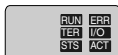
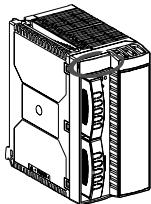
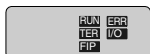
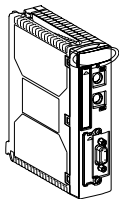
Note : La mise en oeuvre complète d'un bus FIPIO (type architecture, type de câble à utiliser, accessoires de câblage, ...) est développée dans le manuel de référence du bus FIPIO.



Diagnostic à partir des voyants de visualisation

4 à 7 voyants selon le type de processeur, situés en face avant permettent un diagnostic rapide sur l'état de l'automate :

- **RUN** (vert) : état de l'application (**allumé** : fonctionnement normal; **clignotant** : automate en STOP ou en défaut logiciel bloquant ; **éteint** : automate non configuré, application absente, non valide, incompatible avec le type de processeur ou automate en erreur, défaut processeur ou système.),
- **ERR** (rouge) : défauts processeur ou carte mémoire ou carte de communication PCMCIA (**allumé** : automate en erreur, défaut processeur ou défaut système ; **clignotant**: automate non configuré, application absente, non valide ou incompatible avec le type de processeur, automate en défaut logiciel bloquant, défaut pile carte mémoire, défaut bus X (1); **éteint**: fonctionnement normal),
- **I/O** (rouge) : défauts d'E/S (**allumé** : défaut entrées/sorties, provenant d'un module ou d'une voie ou défaut de configuration, **clignotant** : défaut bus X (1) ; **éteint** : fonctionnement normal),
- **TER** (jaune) : il signale l'activité sur la prise terminal (**clignotant** : échange en cours sur la prise terminal).
- **FIP** (jaune) : uniquement sur processeurs TSX P57 •5• et TSX P57 •8•, il signale l'activité sur le bus FIPIO (**clignotant**: échanges en cours, sur le bus FIPIO).
- **STS** (jaune) : uniquement sur processeurs TSX P57 5634.
- **ACT** (jaune) : uniquement sur processeurs TSX P57 5634.



(1) un défaut bus X est signalé par un clignotement simultané des voyants ERR et I/O.

Caractéristiques

•Caractéristiques générales processeurs TSX P57 “compatibles PL7”

Processeurs TSX P57	103	153	203/ 2623	253/ 2823
Caractéristiques maximales de la station				
Racks TSX RKY 12EX	2	2	8	8
Racks TSX RKY 4EX/6EX/8EX	4	4	16	16
Emplacements modules (1)	21[27]	21[27]	87[111]	87[111]
E/S TOR en rack sur bus X	512	512	1024	1024
E/S analogiques sur bus X	24	24	80	80
Voies métier sur bus X (2)	8	8	24	24
Nombre de boucles de régulation	0	0	30	30
Nombre de voies de régulation	0	0	10	10
Connexion UNI-TELWAY (prise terminale)	1	1	1	1
Connexion réseau (3) (FIPWAY, ETHWAY/TCP/IP, Modbus +, Ethernet)	1	1	1	1
Connexion FIPIO maître intégré	-	63	-	127
Connexion bus de terrain tiers (INTERBUS-S, ...) (4)	0	0	1	1
Connexion bus de terrain AS-i	2	2	4	4
Fonctions				
Horodateur sauvegardable	oui	oui	oui	oui
Mémoire				
RAM interne (5) (K16)	32	32	48	64
Extension mémoire max. (K16)	64	64	160	160
Mémoire maximale (K16)	96	96	208	224
Structure application				
Tâche maître	1	1	1	1
Tâche rapide	1	1	1	1
Traitement sur événements	32	32	64	64
Temps d'exécution pour 1K instructions en ms (6)				
RAM interne	0.95	0.95	0.28	0.28
Carte PCMCIA	1.18	1.18	0.40	0.40
Logiciel de programmation (7)	PL7 Junior/PL7 Pro (Windows NT/2000/XP)			
Langages	Ladder, Grafset, Littéral structuré, List			

(1) Avec modules au format standard, hors module alimentation et processeur.

21 emplacements avec 2 racks TSX RKY 12EX, 27 emplacements avec 4 racks TSX RKY 8EX, 87 emplacements avec 8 racks TSX RKY 12EX, 111 emplacements avec 16 racks TSX RKY8EX.

(2) Voies métiers = voies de comptage, commande d'axes, commande pas à pas, communication, ...) voir définition et comptabilisation des différentes voies métier.

(3) La liaison Ethernet embarquée des TSX P57 ••23 est comprise dans le nombre de connexion réseau.

(4) INTERBUS-S, PROFIBUS-DP

(5) Sauvegardable par pile située sur le module d'alimentation.

(6) 65% Booléen/35% Numérique.

(7) PL7 ≥ V4.3 pour les processeurs TSX P57 ••23.

•Caractéristiques générales processeurs TSX P57 “compatibles PL7” (suite)

Processeurs TSX P57	303/ 3623	353	453/ 4823
Caractéristiques maximales de la station			
Racks TSX RKY 12EX	8	8	8
Racks TSX RKY 4EX/6EX/8EX	16	16	16
Emplacements modules (1)	87[111]	87[111]	87[111]
E/S TOR en rack sur bus X	1024	1024	2048
E/S analogiques sur bus X	128	128	256
Voies métier sur bus X (2)	32	32	64
Nombre de boucles de régulation	45	45	60
Nombre de voies de régulation	15	15	20
Connexion UNI-TELWAY (prise terminale)	2	2	2
Connexion réseau (3) (FIPWAY, ETHWAY/TCP/IP, Modbus +, Ethernet)	3	3	4
Connexion FIPIO maître intégré	-	127	127
Connexion bus de terrain tiers (INTERBUS-S, ...) (4)	2	2	2
Connexion bus de terrain AS-i	8	8	8
Fonctions			
Horodateur sauvegardable	oui	oui	oui
Mémoire			
RAM interne (5)	(K16)	64/80	80/96
Extension mémoire max.	(K16)	384	384
Mémoire maximale	(K16)	464	480
Structure application			
Tâche maître	1	1	1
Tâche rapide	1	1	1
Traitement sur événements (dont 1 prioritaire)	64	64	64
Temps d'exécution pour 1K instructions en ms (6)			
RAM interne	0.21	0.21	0.11
Carte PCMCIA	0.32	0.32	0.11
Logiciel de programmation (7)	PL7 Junior/PL7 Pro (Windows NT/2000/XP)		
Langages	Ladder, Grafcet, Littéral structuré, List		

- (1) Avec modules au format standard, hors module alimentation et processeur.
21 emplacements avec 2 racks TSX RKY 12EX, 27 emplacements avec 4 racks TSX RKY 8EX, 87 emplacements avec 8 racks TSX RKY 12EX, 111 emplacements avec 16 racks TSX RKY8EX.
- (2) Voies métiers = voies de comptage, commande d'axes, commande pas à pas, communication, ...) voir définition et comptabilisation des différentes voies métier.
- (3) La liaison Ethernet embarquée des TSX P57 ••23 est comprise dans le nombre de connexion réseau.
- (4) INTERBUS-S, PROFIBUS-DP
- (5) Sauvegardable par pile située sur le module d'alimentation.
sur TSX P57 453 : si application en RAM interne, capacité mémoire = 96 Kbytes; si application en carte PCMCIA, capacité mémoire RAM interne = 176 Kbytes.
- (6) 65% Booléen/35% Numérique.
- (7) PL7 ≥ V4.3 pour les processeurs TSX P57 ••23.

Caractéristiques générales processeurs TSX P57 "compatibles Unity Pro" (suite)

TSX P57	0244	104	1634	154	204
Caractéristiques maximales de la station					
Racks TSX RKY 12EX	1	2	2	2	8
Racks TSX RKY 4EX/6EX/8EX	1	4	4	4	16
Emplacements modules (1)	10	21	21	21	87
E/S TOR en rack sur bus X	256	512	512	512	1024
E/S analogiques sur bus X	12	24	24	24	80
Voies métier sur bus X (2)	4	8	8	8	24
Nombre de boucles de régulation	-	-	-	-	30
Nombre de voies de régulation	-	-	-	-	10
Connexion UNI-TELWAY (prise terminale)	1	1	1	1	1
Connexion réseau (3)					
(FIPWAY, ETHWAY/TCP/IP, Modbus +, Ethernet)	1	1	1	1	1
Connexion FIPIO maître (intégrée) nbre équipements	-	-	-	63	-
Connexion bus de terrain tiers (INTERBUS-S, ...)	-	-	-	-	1
Connexion bus de terrain AS-I	1	2	2	2	4
Fonctions					
Horodateur sauvegardable	oui	oui	oui	oui	oui
Mémoire					
RAM interne (4) (K8)	96	96	96	96	160
Carte PCMCIA (max.) (K8)	128	224	224	224	768
Structure application					
Tâche maître	1	1	1	1	1
Tâche rapide	1	1	1	1	1
Traitement sur événements (dont 1 prioritaire)	32	32	32	32	64
Vitesse d'exécution (en Kins/ms)					
RAM interne (100% booléen)	4,76	4,76	4,76	4,76	4,76
RAM interne (65% booléen + 35% numérique)	3,57	3,57	3,57	3,57	3,57
Carte PCMCIA (100% booléen)	3,10	3,10	3,10	3,10	3,70
Carte PCMCIA (65% booléen + 35% numérique)	2,10	2,10	2,10	2,10	2,50
Overhead système					
Tâche MAST					
Sans utilisation du bus Fipio	1 ms	1 ms	1 ms	1 ms	1 ms
Avec utilisation du bus Fipio	-	-	-	1 ms	-
Tâche FAST	0,30	0,30	0,30	0,30	0,30

(1) Avec modules au format standard, hors module alimentation et processeur.

21 emplacements avec 2 racks TSX RKY 12EX, 27 emplacements avec 4 racks TSX RKY 8EX, 87 emplacements avec 8 racks TSX RKY 12EX, 111 emplacements avec 16 racks TSX RKY 8EX.

(2) voies métiers = voies de comptage, commande d'axes, commande pas à pas, communication, ...)

(3) La liaison Ethernet embarquée des TSX P57 2634/2834/3634/4834/5634 est comprise dans le nombre de connexion réseau.

(4) Sauvegardable par pile située sur le module d'alimentation.

•Caractéristiques générales processeurs TSX P57 “compatibles Unity Pro” (suite)

TSX P57	254	2634	304	354
Caractéristiques maximales de la station				
Racks TSX RKY 12EX	8	8	8	8
Racks TSX RKY 4EX/6EX/8EX	16	16	16	16
Emplacements modules (1)	87	87	87	87
E/S TOR en rack sur bus X	1024	1024	1024	1024
E/S analogiques sur bus X	80	80	128	80
Voies métier sur bus X (2)	24	24	32	32
Nombre de boucles de régulation	30	30	45	45
Nombre de voies de régulation	10	10	15	15
Connexion UNI-TELWAY (prise terminale)	1	1	1	1
Connexion réseau (3) (FIPWAY, ETHWAY/TCP/IP, Modbus +, Ethernet)	1	1	3	3
Connexion FIPIO maître (intégrée) nbre équipements	127	-	-	127
Connexion Ethernet (intégrée)	1	1	-	-
Connexion bus de terrain tiers (INTERBUS-S, ...)	1	1	3	3
Connexion bus de terrain AS-i		8	8	8
Fonctions				
Horodateur sauvegardable		oui	oui	oui
Mémoire				
RAM interne (4) (K8)	768	160	192	170
Carte PCMCIA (max.) (K8)		768	1792	1024
Structure application				
Tâche maître	1	1	1	1
Tâche rapide	64	1	1	1
Traitement sur événements (dont 1 prioritaire)		64	64	64
Vitesse d'exécution (en Kins/ms)				
RAM interne (100% booléen)	3,57	4,76	6,67	6,67
RAM interne (65% booléen + 35% numérique)	3,70	3,57	4,76	4,76
Carte PCMCIA (100% booléen)	2,50	3,70	4,55	4,55
Carte PCMCIA (65% booléen + 35% numérique)		2,50	3,13	3,13
Overhead système				
Tâche MAST	1 ms			
Sans utilisation du bus Fipio	1 ms	1 ms	1 ms	1 ms
Tâche FAST	0,35 ms	0,30 ms	0,35 ms	0,35 ms

- (1) Avec modules au format standard, hors module alimentation et processeur.
21 emplacements avec 2 racks TSX RKY 12EX, 27 emplacements avec 4 racks TSX RKY 8EX, 87 emplacements avec 8 racks TSX RKY 12EX, 111 emplacements avec 16 racks TSX RKY 8EX.
- (2) Voies métiers = voies de comptage, commande d'axes, commande pas à pas, communication, ...)
- (3) La liaison Ethernet embarquée des TSX P57 2634/2834/3634/4834/5634 est comprise dans le nombre de connexion réseau.
- (4) Sauvegardable par pile située sur le module d'alimentation.

Caractéristiques générales processeurs TSX P57 "compatibles Unity Pro" (suite)

TSX P57	3634	454	4634
Caractéristiques maximales de la station			
Racks TSX RKY 12EX	8	8	8
Racks TSX RKY 4EX/6EX/8EX	16	16	16
Emplacements modules (1)	87	87	87
E/S TOR en rack sur bus X	1024	2048	2048
E/S analogiques sur bus X	128	256	256
Voies métier sur bus X (2)	32	48	64
Nombre de boucles de régulation	45	60	60
Nombre de voies de régulation	15	20	20
Connexion UNI-TELWAY (prise terminale)	1	1	1
Connexion réseau (3) (FIPWAY, ETHWAY/TCP/IP, Modbus +, Ethernet)	3	4	4
Connexion FIPIO maître (intégrée) nbre équipements	-	127	-
Connexion Ethernet (intégrée)	1	-	1
Connexion bus de terrain tiers (INTERBUS-S, ...)	3	4	4
Connexion bus de terrain AS-i	8	8	8
Fonctions			
Horodateur sauvegardable	oui	oui	oui
Mémoire			
RAM interne (4) (K8)	192	320	320/440 (5)
Carte PCMCIA (max.) (K8)	1792	2048	2048
Structure application			
Tâche maître	1	1	1
Tâche rapide	1	1	1
Traitement sur évènements (dont 1 prioritaire)	64	64	64
Vitesse d'exécution (en Kins/ms)			
RAM interne (100% booléen)	6,67	15,5	15,5
RAM interne (65% booléen + 35% numérique)	4,76	11,4	11,4
Carte PCMCIA (100% booléen)	4,55	15,5	15,5
Carte PCMCIA (65% booléen + 35% numérique)	3,13	11,4	11,4
Overhead système			
Tâche MAST			
Sans utilisation du bus Fipio	1 ms	1 ms	1 ms
Tâche FAST	0,35 ms	0,08 ms	0,08 ms

- (1) Avec modules au format standard, hors module alimentation et processeur.
21 emplacements avec 2 racks TSX RKY 12EX, 27 emplacements avec 4 racks TSX RKY 8EX, 87 emplacements avec 8 racks TSX RKY 12EX, 111 emplacements avec 16 racks TSX RKY8EX.
- (2) Voies métiers = voies de comptage, commande d'axes, commande pas à pas, communication, ...)
- (3) La liaison Ethernet embarquée des TSX P57 2634/2834/3634/4834/5634 est comprise dans le nombre de connexion réseau.
- (4) Sauvegardable par pile située sur le module d'alimentation.
- (5) 1° chiffre lorsque l'application est en RAM interne, 2° chiffre lorsque l'application est en carte mémoire.

•Caractéristiques générales processeurs TSX P57 “compatibles Unity Pro” (suite)

TSX P57	554	5634
Caractéristiques maximales de la station		
Racks TSX RKY 12EX	8	8
Racks TSX RKY 4EX/6EX/8EX	16	16
Emplacements modules (1)	87	87
E/S TOR en rack sur bus X	2040	2040
E/S analogiques sur bus X	512	512
Voies métier sur bus X (2)	64	64
Nombre de boucles de régulation	90	90
Nombre de voies de régulation	30	30
Connexion UNI-TELWAY (prise terminale)	1	1
Connexion réseau (3)		
(FIPWAY, ETHWAY/TCP/IP, Modbus +, Ethernet)	4	5
Connexion FIPIO maître (intégrée) nbre équipements	127	-
Connexion Ethernet (intégrée)	-	1
Connexion bus de terrain tiers (INTERBUS-S, ...)	2	2
Connexion bus de terrain AS-i	8	8
Fonctions		
Horodateur sauvegardable	oui	oui
Mémoire		
RAM interne (4) (K8)	640/896 (5)	640/896 (5)
Carte PCMCIA (max.) (K8)	4096	4096
Structure application		
Tâche maître	1	1
Tâche rapide	1	1
Tâche auxiliaire	4	4
Traitement sur événements (dont 1 prioritaire)	128	128
Vitesse d'exécution (en Kins/ms)		
RAM interne (100% booléen)	19,80	19,80
RAM interne (65% booléen + 35% numérique)	14,20	14,20
Carte PCMCIA (100% booléen)	19,80	19,80
Carte PCMCIA (65% booléen + 35% numérique)	14,20	14,20
Overhead système		
Tâche MAST	1 ms	1 ms
Tâche FAST	0,07 ms	0,07 ms

- (1) Avec modules au format standard, hors module alimentation et processeur.
21 emplacements avec 2 racks TSX RKY 12EX, 27 emplacements avec 4 racks TSX RKY 8EX, 87 emplacements avec 8 racks TSX RKY 12EX, 111 emplacements avec 16 racks TSX RKY8EX.
- (2) Voies métiers = voies de comptage, commande d'axes, commande pas à pas, communication, ...)
- (3) La liaison Ethernet embarquée des TSX P57 2634/2834/3634/4834/5634 est comprise dans le nombre de connexion réseau.
- (4) Sauvegardable par pile située sur le module d'alimentation.
- (5) 1° chiffre lorsque l'application est en RAM interne, 2° chiffre lorsque l'application est en carte mémoire.

•Caractéristiques électriques

Capacité	Consommation sur 5 VDC du module alimentation TSX PSY • en mA		Puissance dissipée en Watt	
	Typique	Maximale	Typique	Maximale
TSX P57 0244	750	1050	3,7	5,2
TSX P57 10 •	750	1050	3,7	5,2
TSX P57 16 • •	1550	1160	4,1	5,8
TSX P57 15 •	830	2170	7,7	10,8
TSX P57 20 •	750	1050	3,7	5,2
TSX P57 26 • •	1550	1160	4,1	5,8
TSX P57 25 •	830	2170	7,7	10,8
TSX P57 30 •	1000	1400	5	7
TSX P57 36 • •	1800	1510	5,4	7,5
TSX P57 35 •	1080	2520	9	12,6
TSX P57 45 •	1580	2210	7,9	11
TSX P57 46 • •	1780	2490	8,9	12,5
TSX P57 554	1580	2210	7,9	11
TSX P57 5634	1780 mA	2490 mA	8,9 W	12,5W

•Comptabilisation des voies métiers

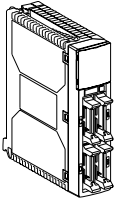
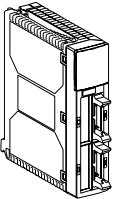
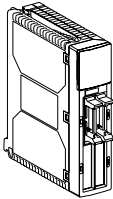
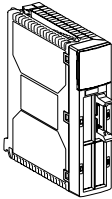
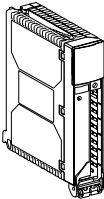
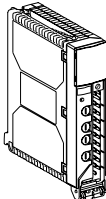
Métier		Module/carte	Voie métier	Nombre
Comptage		TSX CTY 2A	oui	2
		TSX CTY 2C	oui	2
		TSX CTY 4A	oui	4
		TSX CCY 1128	oui	1
Commande de mouvement	Axe	TSX CAY 21/22	oui	2
		TSX CAY 41/ 42	oui	4
		TSX CAY 33	oui	3
		TSX CAY 84	oui	32 (1)
	Pas à pas	TSX CFY 11	oui	1
		TSX CFY 21	oui	2
Pesage		TSX ISP Y100/101	oui	2
Communication	Liaisons série	TSX SCP 11 •• (dans le processeur)	non	0 (2)
		TSX SCP 11 •• (dans le TSX SCY 21601)	oui	1
		TSX JNP 11 •• (dans le TSX SCY 21601)	oui	1
		TSX SCY 21601 (voie intégrée)	oui	1
	FIPIO Agent	TSX FPP 10 (dans le processeur)	non	0 (2)
	FIPIO maître	intégrée au processeur	non	0 (2)
	Modem	TSX MDM 10	oui	1

Note : Seules les voies métier configurées doivent être prises en compte.

(1) 1 voie minimum.

(2) Voies à ne pas prendre en compte pour le calcul du nombre de voies métier maximum supportées par le processeur.

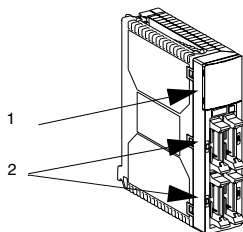
Présentation

Modularité	64 E ou 64 S	32 E ou 32 S	32 E ou 28 E/S	16 E
Connectique Connecteurs HE 10				
Connectique Bornier à vis (bornier non représenté)			8/16 E ou 8/16 E/S	8 ou 16 S
				

Description physique

Modules à connecteurs HE 10 :

- 1 Bloc de visualisation.
 - 2 Connecteurs HE10 protégés par un capot.
- Ces connecteurs permettent le raccordement des capteurs et pré-actionneurs soit directement via des torons précâblés ; soit au travers d'embases de raccordement TELEFAST 2.



Modules à bornier à vis

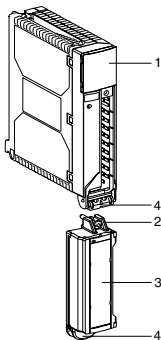
- 1 Bloc de visualisation.
- 2 Bornier à vis débrochable pour le raccordement direct des capteurs et pré-actionneurs.
- 3 Porte d'accès aux bornes à vis. Celui-ci sert également de support à l'étiquette de repérage.
- 4 Dispositif de détrompage

⚠ Le bornier est livré séparément, sous la référence TSX BLY 01.

•Étiquette de repérage

Cette étiquette amovible est livrée avec le module, pour être placée à l'intérieur de la porte (3). Imprimée recto/verso, elle visualise les informations suivantes :

- porte fermée : la référence du module et la nature des voies. Dans une case, renseignée par l'utilisateur, l'adresse du module et la désignation symbolique des voies,
- porte ouverte : le câblage des entrées et/ou des sorties, avec le numéro des voies et le numéro des bornes de raccordement.



Rappel catalogue

Modules d'entrées TSX DEY ..

Référence	Modularité	Connect.	Tension	Isolement	Logique	Filtrage	CEI 1131-2
DEY 08 D2	8 (1)	Bornier	24 VCC	Oui	Positive	4 ms	Type 2
DEY 16 D2	16 (1)	Bornier	24 VCC	Oui	Positive	4 ms	Type 2
DEY 16 D3	16 (1)	Bornier	48VCC	Oui	Positive	4 ms	Type 2
DEY 16 A2	16 (2)	Bornier	24 VCC 24 VCA	Oui	Négative -	10 ms 50/60 Hz	- Type 2
DEY 16 A3	16 (2)	Bornier	48 VCA	Oui	-	50/60 Hz	Type 2
DEY 16 A4	16 (2)	Bornier	115 VCA	Oui	-	50/60 Hz	Type 2
DEY 16 A5	16 (2)	Bornier	230 VCA	Oui	-	50/60 Hz	Type 1
DEY 16 FK	16 (3)	HE 10	24 VCC	Oui	Positive	0,1..7,5 ms	Type 1
DEY 32 D2K	32 (3)	HE 10	24 VCC	Oui	Positive	4 ms	Type 1
DEY 32 D3K	32 (1)	HE 10	48VCC	Oui	Positive	4 ms	Type 2
DEY 64 D2K	64 (3)	HE 10	24 VCC	Oui	Positive	4 ms	Type 1

(1) Compatibilité DDP 2 et 3 fils CEI 947-5-2

(2) Compatibilité DDP 2 fils AC CEI 947-5-2

(3) Compatibilité DDP 2 et 3 fils Telemecanique

Modules de sorties TSX DSY ..

Référence (5)	Modularité	Connect.	Tension	Courant	Logique	Protection	Temps de réponse
DSY 08 T2	8 (T)	Bornier	24 VCC	0,5 A	Positive	oui (1)	1,2 ms
DSY 08 T22	8 (T)	Bornier	24 VCC	2 A	Positive	oui (1)	0,2 ms
DSY 08 T31	8 (T)	Bornier	48VCC	1 A	Positive	oui (1)	0,2 ms
DSY 16 T2	16 (T)	Bornier	24 VCA	0,5 A	Positive	oui (1)	1,2 ms
DSY 16 T3	16 (T)	Bornier	48VCA	0,5 A	Positive	oui (1)	1,2 ms
DSY 08 R5 (3)	8 (R)	Bornier	24 VCC 24...240 VCA	3 A	-	non	0→ 1<8ms 1→ 0<10ms
DSY 08 R4D (3)	8 (R)	Bornier	24...110 VCC	5 A	-	oui (2)	0→ 1<10ms 1→ 0<15ms
DSY 08 R5A (3)	8 (R)	Bornier	24...48 VCC 24...240 VCA	5 A	-	oui (2)	
DSY 16 R5 (3)	16 (R)	Bornier	24 VCC 24...240 VCA	3 A	-	non	
DSY 08 S5 (3) (4)	8 (S)	Bornier	48...220 VCA	2 A	-	oui (2)	0→ 1<10ms 1→ 0<10ms
DSY 16 S4 (3) (4)	16 (S)	Bornier	24...110 VCA	1 A	-	non	
DSY 16 S5	16 (S)	Bornier	48...220 VCA	1 A	-	oui (2)	
DSY 32 T2K	32 (T)	HE 10	24 VCC	0,1 A	Positive	oui (1)	1,2 ms
DSY 64 T2K	64 (T)	HE 10	24 VCC	0,1 A	Positive	oui (1)	1,2 ms

(1) Les sorties intègrent un dispositif de protection contre les courts-circuits et les surcharges. Les modules sont protégés contre les inversions de polarité.

(2) Les sorties sont protégées par fusibles interchangeable, accessibles en face avant des modules.

(3) Un dispositif coupe automatiquement les sorties lors du déverrouillage du bornier.

(4) Le repli des sorties est configurable pour tous les modules, à l'exception des modules de sorties triacs.

(5) Toutes les sorties sont isolées.

(T) Sorties à transistors

(R) Sorties à relais

(S) Sorties triacs

Module mixte d'entrées/sorties TSX DMY 28FK/28RFK

Modularité	Connect.	Tension	Courant	Logique	Protection	Filtrage	Temps de réponse	CEI 1131
16 Entrées	HE 10	24 VCC	-	Positive	-	0,1..7,5 ms	-	Type 1
12 Sorties (T)	HE 10	24 VCC	0,5 A	Positive	oui	-	0,5 ms	oui

Note: Les sorties intègrent un dispositif de protection contre les courts-circuits et les surcharges. Le module est protégé contre les inversions de polarité. Toutes les entrées et sorties sont isolées

(T) Sorties à transistors

Les modules d'entrées/sorties TOR, se positionnent indifféremment sur un rack TSX RKY ...

⚠ Le montage /démontage d'un module sur le rack peut s'effectuer rack sous tension ; mais il est obligatoire de couper la tension capteurs et pré-actionneurs et de déconnecter le bornier.

Fonctionnalités

Entrées à générateur de courant

Les entrées à courant continu 24 VCC et 48 VCC sont du type "générateur de courant". Quelle que soit la tension d'entrée supérieure à 11 V (pour les entrées 24 VCC) ou 20 V (pour les entrées 48 VCC), le courant d'entrée est constant.

Protection des sorties statiques à courant continu

Toutes les sorties statiques protégées, sont équipées d'un dispositif qui permet, lorsqu'une sortie est active, de détecter l'apparition d'une surcharge ou d'un court-circuit. Un tel défaut provoque la désactivation de la sortie (disjonction) et la signalisation du défaut (le voyant de la voie en défaut clignote et le voyant I/O du processeur s'allume). Pour réactiver une sortie disjonctée, il est nécessaire de la réarmer.

Réarmement des sorties

Le réarmement d'une sortie disjonctée peut être automatique ou commandé, selon le choix effectué en configuration. Le réarmement est demandé pour les sorties statiques à courant continu ou pour les sorties à relais et triacs protégées par un fusibles interchangeable. Il s'effectue par groupe de 8 voies, mais reste sans effet pour les voies non activées ou sans défaut.

- si le réarmement est automatique, il est exécuté par le module toutes les 10 s, jusqu'à la disparition du défaut qui permet de le prendre en compte,
- si le réarmement est commandé par le programme application ou via une console, il sera pris en compte si le défaut a disparu. Il est nécessaire d'attendre au minimum 10 s entre deux réarmements.

Repli des sorties

Lors d'un défaut bloquant, toutes les sorties d'un module sont positionnées dans un état déterminé par l'utilisateur en configuration : maintien dans l'état, repli à 0 ou repli à 1.

Partage des entrées / sorties

Chaque module est découpé fonctionnellement en groupes de 8 voies qui peuvent être affectés à des tâches différentes de l'application (par exemple, pour un module à 16 voies, les voies 0 à 7 peuvent être affectées à la tâche MAST et les voies 8 à 15 à la tâche FAST).

Les voies d'un même groupe possèdent les modes de marche et la gestion de fonctionnalités communs (repli et réarmement des sorties).

Filtrage programmable sur les entrées

Les modules TSX DEY 16FK et TSX DMY 28FK/28RFK permet de configurer le temps de filtrage des entrées entre 0 et 7,5 ms (4 ms par défaut).

⚠ Pour éviter la prise en compte de rebonds lors de la fermeture de contacts mécaniques, il est conseillé d'utiliser un temps de filtrage supérieur à 3 ms.

Mémorisation d'état

Les modules TSX DEY 16FK et TSX DMY 28 FK permettent, au travers de la mémorisation d'état, la prise en compte d'impulsions très courtes et de durée inférieure à un temps de cycle automate. Le changement d'état de l'entrée est pris en compte pour être traité au cycle suivant dans la tâche.

⚠ Le temps qui sépare l'arrivée de 2 impulsions sur une même entrée doit être au moins égal à 2 temps de cycle.

La durée minimale de l'impulsion doit être supérieure au temps de filtrage configuré.

Gestion des événements

Les modules TSX DEY 16FK et TSX DMY 28FK permettent de configurer jusqu'à 16 entrées qui permettent la prise en compte d'événements et leur traitement immédiat par le processeur (traitement sur interruption).

Contrôle de la présence bornier

Tous les modules à bornier sont équipés d'un dispositif qui contrôle la présence du bornier sur le module et qui signale un défaut si le bornier est absent ou mal enclenché.

Contrôle des courts-circuits et surcharges

Les modules de sorties statiques sont équipés d'un dispositif qui contrôle l'état de la charge. Le court-circuit ou la surcharge d'une ou plusieurs sorties provoquent l'apparition d'un défaut et la disjonction des sorties incriminées.

Contrôle de la tension capteur

Tous les modules d'entrées sont équipés d'un dispositif qui contrôle que la tension d'alimentation des capteurs et du module est suffisante pour garantir le bon fonctionnement des voies d'entrées. Si cette tension devient inférieure à un seuil, un défaut est signalé.

⚠ L'alimentation capteur doit être protégée par un fusible rapide de 0,5 A.

Contrôle de la tension pré-actionneur

Tous les modules à sorties statiques sont équipés d'un dispositif qui contrôle que la tension d'alimentation des pré-actionneurs et du module est suffisante pour garantir le bon fonctionnement des voies de sorties. Si cette tension devient inférieure à un seuil, un défaut est signalé.

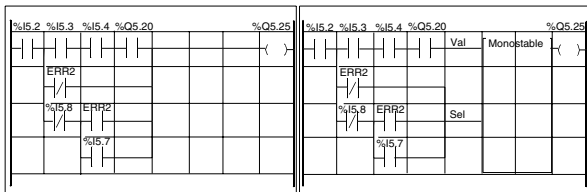
Fonctions réflexes et temporisateurs sur module TSX DMY 28RFK

Ce module permet de réaliser des applications ayant besoin d'un temps de réponse plus rapide que la tâche FAST ou qu'un traitement sur évènement (<500 ms) à partir de fonctions d'automatisme exécutées au niveau du module et déconnectées de la tâche automate en utilisant comme variables d'entrées:

- les entrées physiques du module (%I),
- les commandes de sorties du module (%Q),
- les informations de défaut voies ou module,
- les états des sorties physiques du module.

Ces fonctions se programment en mode configuration à partir des logiciels PL7 Junior ou PL7 Pro de version $V \geq 3.3$. L'écran de configuration de chaque sortie est composé de deux parties principales:

- une partie représentant un réseau ladder d'ergonomie simplifiée comprenant 4 lignes de 4 contacts qui permet de réaliser une fonction combinatoire de variables d'entrées,
- une partie représentant la fonction mise en oeuvre qui peut être soit la commande directe de la sortie à partir de la fonction combinatoire configurée, soit un bloc fonction. (voir exemples page suivante).



Liste des principaux blocs fonction:

- bloc fonction temporisateur type travail,
- bloc fonction temporisateur type repos,
- bloc fonction temporisateur type travail et repos,
- bloc fonction temporisateur avec deux valeurs,
- bloc fonction temporisateur type travail/repos avec sélection des valeurs,
- bloc fonction monostable redéclenchable,
- bloc fonction monostable temporisé, non redéclenchable,
- bloc fonction monostable avec deux valeurs,
- bloc fonction oscillateur,
- bloc fonction compteur à 2 seuils,
- bloc fonction compteur à un seuil avec monostable,
- bloc fonction intervalomètre permettant de mesurer un temps ou une longueur,
- bloc fonction Burst permettant de générer un nombre défini de périodes d'oscillateur,
- bloc fonction PWM permettant de générer une oscillation continue à fréquence fixe mais à rapport cyclique variable,
- bloc fonction détection de sous vitesse,
- bloc fonction surveillance de vitesse,
- blocs fonctions commande/contrôle permettant de commander une action et de vérifier qu'au bout d'un certain temps elle s'est bien effectuée:
 - bloc fonction commande/contrôle type 1: (1 seul contrôle),
 - bloc fonction commande/contrôle type 2: (2 contrôles: AV et AR),
- bloc fonction commande pendant un nombre de points de comptage (positionnement simple),
- bloc fonction signalisation de défaut,
- bloc fonction bascule D, mémorisation de front,
- bloc fonction bascule T, division par 2

La description de ces différents blocs fonctions et leur mise en oeuvre logicielle sont développées dans le manuel métier TLX DS 57 PL7 4xF.

Moyens de raccordement et règles de câblage

Règles de câblage

•Alimentations externes pour capteurs et pré-actionneurs

Ces alimentations doivent être protégées contre les courts-circuits et les surcharges, par des fusibles à fusion rapide.

⚠ Lorsque l'installation en 24 VCC n'est pas réalisée selon les normes TBTS (très basse tension de sécurité), il est obligatoire de relier le 0 V de l'alimentation à la terre de protection, et cela au plus près de l'alimentation.

•Entrées

L'utilisation d'un module d'entrées rapides TSX DEY 16FK/DMY 28FK nécessite d'adapter le temps de filtrage des entrées à la fonction désirée : l'utilisation de capteurs avec sorties à contacts mécaniques oblige à avoir un temps de filtrage ≥ 3 ms. Pour obtenir un fonctionnement plus rapide, utiliser des entrées et des capteurs à courant continu dont le temps de réponse est inférieur à celui des entrées à courant alternatif.

•Sorties

Si les courants sont importants, segmenter les départs en protégeant chacun d'eux par un fusible à fusion rapide. Utiliser des fils de section suffisante, afin d'éviter les chutes de tension et les échauffements.

•Cheminement des câbles

Afin de limiter les couplages en alternatif, séparer les câbles de puissance (alimentations, contacteurs de puissance, ...) des câbles d'entrées (capteurs) et de sorties (pré-actionneurs).

Raccordement des modules avec bornier à vis

Chaque borne peut recevoir des fils nus ou équipés d'embouts ou de cosses ouvertes.

- au minimum : 1 fil de 0,2 mm² (AWG 24) sans embout,
- au maximum : 1 fil de 2 mm² sans embout ou 1 fil de 1,5 mm² avec embout.



Raccordement des modules à connecteurs HE10

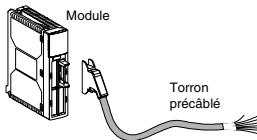
•Toron précâblé de 20 fils, jauge 22 (0,34 mm²)

Il permet le raccordement fil à fil des entrées / sorties vers des capteurs, pré-actionneurs ou bornes de raccordement.

2 références sont proposées :

TSX CDP 301 (3 mètres) et **TSX CDP 501** (5 mètres).

Borne / Fil	Borne / Fil
1 blanc	2 marron
3 vert	4 jaune
5 gris	6 rose
7 bleu	8 rouge
9 noir	10 violet
11 gris-rose	12 rouge-bleu
13 blanc-vert	14 marron-vert
15 blanc-jaune	16 jaune-marron
17 blanc-gris	18 gris-marron
19 blanc-rose	20 rose-marron



•Nappe de raccordement toronée et gainée, jauge 28 (0,08 mm²)

Elle permet le raccordement des entrées / sorties vers des interfaces de raccordement et d'adaptation à câblage rapide TELEFAST 2. Compte tenu de la faible section des fils, il est recommandé d'utiliser la nappe de raccordement uniquement sur des entrées ou sorties à faible courant (≤ 100 mA).

3 références sont proposées :

TSX CDP 102 (1 mètre), **TSX CDP 202** (2 mètres) et **TSX CDP 302** (3 mètres).

•Câble de raccordement, jauge 22 (0,34 mm²)

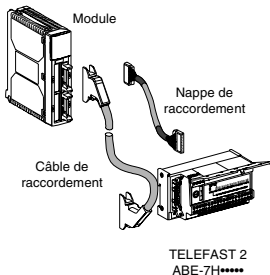
Il permet le raccordement des entrées / sorties vers des interfaces de raccordement et d'adaptation à câblage rapide TELEFAST 2.

La section des fils (0,34 mm²), permet le passage de courant plus élevés que la nappe de raccordement (- 500 mA).

5 références sont proposées : **TSX CDP 053** (0,5 mètre), **TSX CDP 103** (1 mètre), **TSX CDP 203** (2 mètres), **TSX CDP 303** (3 mètres) et **TSX CDP 503** (5 mètres).

Couples de serrage maximum:

- sur vis de fixation du module sur le rack : 2.0 N.m
- sur vis du bornier de raccordement TSX BLY 01: 0.8 N.m
- sur vis des connecteurs des câbles TSX CDP • : 0.5 N.m



Caractéristiques des modules d'entrées à bornier

Entrées à courant continu (valeurs d'entrées : tension en VCC, courant en mA)					
Référence module TSX DEY		08D2/16	16D3	16A2	
Valeurs nominales		Tension	24	48	24
		Courant	7	7	16
Valeurs limites d'entrée	à l'état 1	Tension	≥ 11 V	≥ 30 V	≤ Ual - 14 V
		Courant	≥ 6,5 (U = 11 V)	≥ 6,5 (U = 30 V)	≥ 6,5
	à l'état 0	Tension	≤ 5	≤ 10	≥ Ual - 5
		Courant	≤ 2	≤ 2	≤ 2
Alimentation capteurs (ondulation comprise)		19...30 V (1)	38...60 V	19...30 V (1)	
Impédance d'entrée (à U nominale)		4 kΩ	7 kΩ	1,6 kΩ	
Logique		positive	positive	positive	
Conformité CEI 1131-2		Type 2	Type 2	Type 2	
Type d'entrée		puits de courant	puits de courant	résistive	
Parallélisation des entrées		Oui	Oui	oui	
Compatibilité DDP 2 fils / 3 fils		CEI 947-5-2	CEI 947-5-2	CEI 947-5-2	
Seuil de contrôle tension capteur		Ok	> 18 V	> 36 V	> 18 V
		Défaut	< 14 V	< 24 V	< 14 V
Rigidité diélectrique (50/ 60 Hz, 1 mn)		1500 V eff.	1500 V eff.	1500 V eff.	
Consommation (2)		5 V typique	55 / 80 mA	80 mA	80 mA
		alim. capteurs typ. (mA)	25+(Nx 7)	25+(Nx 7)	15+(Nx 15)
Puissance dissipée (2) (W)		1+(Nx 0,15)	1+(Nx 0,3)	1+(Nx 0,4)	

Entrées à courant alternatif (valeurs d'entrées : tension en VCA, courant en mA)						
Référence module TSX DEY		16A2	16A3	16A4	16A5	
Valeurs nominales d'entrée		Tension	24	48	100..120	200..240
		Courant	15	16	12	15
Valeurs limites d'entrée	à l'état 1	Tension	10	29	74	129
		Courant	6 (U = 10 V)	6 (U = 29 V)	6 (U = 74 V)	6 (U = 159 V)
	à l'état 0	Tension	5	10	20	40
		Courant	3 mA	4 mA	4 mA	4 mA
Alimentation capteurs		20...26 V	40...52 V	85...132 V	170...264 V	
Impédance d'entrée		1,6 kΩ	3,2 kΩ	9,2 kΩ	20 kΩ	
Conformité CEI 1131-2		Type 2	Type 2	Type 2	Type 1	
Type d'entrée		résistive	résistive	résistive	résistive	
Parallélisation des entrées		Oui	Oui	oui	oui	
Compatibilité DDP 2 fils / 3 fils		CEI 947-5-2	CEI 947-5-2	CEI 947-5-2	CEI 947-5-2	
Seuil de contrôle tension capteur		Ok	> 18 V	> 36 V	> 82 V	> 164 V
		Défaut	< 14 V	< 24 V	< 40 V	< 80 V
Rigidité diélectrique (50/ 60 Hz, 1 mn)		1500 V eff.	1500 V eff.	1500 V eff.	1500 V eff.	
Consommation		5 V typique	80 mA	80 mA	80 mA	80 mA
		alim. capteurs typ. (mA)	15+(Nx 15)	16+(Nx 16)	15+(Nx 15)	12+(Nx 12)
Puissance dissipée (2) (W)		1+(Nx 0,35)	1+(Nx 0,35)	1+(Nx 0,35)	1+(Nx 0,4)	

(1) jusqu'à 34 V (1 h / 24 h)

(2) N = nbre de voies à 1

Caractéristiques des modules d'entrées à connecteur(s)

Entrées à courant continu (valeurs d'entrées : tension en VCC, courant en mA)							
Référence module TSX DEY		16FK	32D2K	64D2K	32D3K		
Valeurs nominales d'entrée		Tension	24	24	24	48	
		Courant	3,5	3,5	3,5	7	
Valeurs limites d'entrée		à l'état 1	Tension	≥ 11 V	≥ 11 V	≥ 11 V	≥ 30 V
			Courant	3	3	3	6,5 (U = 30 V)
		à l'état 0	Tension	≤ 5	≤ 5	≤ 5	≤ 10
			Courant	1,5 mA	1,5 mA	1,5 mA	2 mA
Alimentation capteurs (ondulation comprise)		19...30 V (1)	19...30 V (1)	19...30 V (1)	38...60 V		
Impédance d'entrée		6,3 kΩ	6,3 kΩ	6,3 kΩ	6,3 kΩ		
Logique		positive	positive	positive	résistive		
Type d'entrée		puits de courant	puits de courant	puits de courant	puits de courant		
Conformité CEI 1131-2		Type 1	Type 1	Type 1	Type 2		
Parallélisation des entrées		Oui	Non	Non	oui		
Compatibilité DDP 2 fils / 3 fils		Oui	Oui	Oui	Oui		
Seuil de contrôle tension capteur		Ok	> 18 V	> 18 V	> 18 V	> 36 V	
		Défaut	< 14 V	< 14 V	< 14 V	< 24 V	
Rigidité diélectrique (50/ 60 Hz, 1 mn)		1500 V eff.	1500 V eff.	1500 V eff.	1500 V eff.		
Consommation (2)		5 V typique	250 mA	135 mA	155 mA	300 mA	
		24V capteurs typ. (mA)	20+(Nx 3,4)	30+(Nx 3,5)	60+(Nx 3,5)	50+(Nx 7)	
Puissance dissipée (2) (W)		1,2+(Nx 0,1)	1+(Nx 0,1)	1,5+(Nx 0,1)	2,5+(Nx 0,34)		

(1) jusqu'à 34 V (1 h / 24 h)

(2) N = nbre de voies à 1

Caractéristiques des modules de sorties à bornier

Sorties statiques pour courant continu (logique positive)						
Référence module TSX DSY		08T2 / 16T2	08T22	08T31	16T3	
Valeurs nominales d'entrée		Tension	24 VCC/0,5A	24VCC	48VCC	48VCC
		Courant	0,5A	2A	1A	0,25A
Valeurs limites (pour $U \leq 30$ ou 34V, ondulation incluse)		Tension	19...30V(1)	19...30V(1)	38...60V	38...60V
		Courant/voie	0,625A	2,5A	1,25A	0,31A
		Courant/module	4A /7A	14A	7A	4A
Puissance lampe à filament de tungstène			6W	10W	10W	6W
Courant de fuite		à l'état 0	<0,5mA	<1mA	<1mA	<0,5mA
Tension de déchet		à l'état 1	<1,2V	<0,5V	<1V	<1,5V
Impédance de charge mini			48Ω	12Ω	48Ω	192Ω
Temps de réponse			1,2ms	200μs	300μs	1,2ms
Seuil de contrôle tension pré-actionneur		Ok	> 18 V	> 16 V	> 36 V	> 36 V
		Défaut	< 14 V	< 14 V	< 24 V	< 24 V
Rigidité diélectrique (50/ 60 Hz, 1 mn)			1500 V eff.	1500 V eff.	1500 V eff.	1500 V eff.
Consommation		5 V typique	55/80 mA	55 mA	55 mA	80 mA
		alim. pré-actionneurs	30/40mA	30mA	30mA	40mA
Puissance dissipée en watt (13)			1,1+(Nx 0,75)	1,3+(Nx 0,2)	2,2+(Nx 0,55)	2,4+(Nx 0,85)

Sorties à relais, courant thermique 3A

Référence module TSX DSY		08RS / 16R5				
Tension limite d'emploi		Courant continu	10...34VCC			
		Courant alternatif	19...264VCA			
Courant thermique		3A				
Charge courant alternatif	Résistive régime AC12	Tension	24 VCA	48 VCA	100...120 VCA	200...240 VCA
		Puissance	50VA (5)	50VA (6) 11VA (4)	110VA (6) 220VA (4)	220VA (6)
	Inductive régime AC14 & AC15	Tension	24 VCA	48 VCA	100...120 VCA	200...240 VCA
		Puissance	24VA (4)	10VA (10) 24VA (8)	10VA (11) 50VA (7) 110VA (2)	10VA (11) 50VA (9) 110VA (6) 220VA (1)
Charge courant continu	Résistive régime DC12	Tension	24 VCC			
		Puissance	24 W (6) 40 W (3)			
	Inductive régime DC13	Tension	24 VCC			
		Puissance	10 W (8) 24W (6)			
Temps de réponse		Enclenchement	< 8ms			
		Déclenchement	< 10ms			
Isolement (50/ 60 Hz, 1 mn)			2000 V eff.			

Consommation	5 V typique	55/80 mA
	24V relais typique (12)	(Nx 8,5)mA
Puissance dissipée en watt (13)	0,25+(Nx 0,2)	

Sorties à relais pour courant continu

Référence module TSX DSY		08R4D				
Tension limite d'emploi	Courant continu	19...143VCC				
	Courant alternatif	interdit				
Courant thermique		5A (maxi 6A par commun)				
Charge courant continu	Résistive régime DC12	Tension	24 VCC	48 VCC	100...130 VCC	
		Puissance	50 W (6)	100 W (6)	220 W (6)	
			100 W (3)	200 W (3)	440 W (3)	
	Inductive régime DC13	Tension	24 VCC	48 VCC	110 VCC	
		Puissance	20 W (8)	50 W (8)	110 W (8)	
			50 W (6)	100 W (6)	220 W (6)	
Temps de réponse		Enclenchement	< 10ms			
		Déclenchement	< 15ms			
Isolement (50/ 60 Hz, 1 mn)		2000 V eff.				
Consommation	5 V typique	55 mA				
	24V relais typique (12)	(Nx 10)mA				
Puissance dissipée en watt (13)	0,25+(Nx 0,24)					

Sorties à relais, courant thermique 8A

Référence module TSX DSY		08R5A				
Tension limite d'emploi	Courant continu	19...60VCC				
	Courant alternatif	19...264 VCA				
Courant thermique		5 A (maxi. 6A par commun)				
Charge courant alternatif	Résistive régime AC12	Tension	24 VCA	48 VCA	100...120 VCA	200...240 VCA
		Puissance	100 VA (5)	100 VA (6)	220 VA (6)	440 VA (6)
				200 VA (4)	440 VA (4)	
	Inductive régime AC14 & AC15	Tension	24 VCA	48 VCA	100...120 VCA	200...240 VCA
		Puissance	50 VA (4)	20 VA (10)	20 VA (11)	20 VA (11)
				50 VA (8)	110 VA (7)	110 VA (9)
				220 VA (2)	220 VA (6)	
					440 VA (1)	
Charge courant continu	Résistive régime DC12	Tension	24 VCC	48 VCC		
		Puissance	24 W (6)	50 W (6)		
			50 W (3)	100 W (3)		
	Inductive régime DC13	Tension	24 VCC	48 VCC		
		Puissance	10 W (8)	24 W (8)		
			24W (6)	50 W (6)		
Temps de réponse		Enclenchement	< 10ms			
		Déclenchement	< 15ms			
Isolement (50/ 60 Hz, 1 mn)		2000 V eff.				

Consommation	5 V typique	55 mA
	24V relais typique (12)	(Nx 10)mA
Puissance dissipée en watt (13)		0,25+(Nx 0,24)

(1) jusqu'à 34 V (1 h / 24 h) (4) 0,3 x 10⁶ manoeuvres (7) 1 x 10⁶ manoeuvres (10) 3 x 10⁶ manoeuvres ((13) N = nbre de voies à 1
 (2) 0,1 x 10⁶ manoeuvres (5) 0,5 x 10⁶ manoeuvres (8) 1,5 x 10⁶ manoeuvres (11) 5 x 10⁶ manoeuvres
 (3) 0,15 x 10⁶ manoeuvres (6) 0,7 x 10⁶ manoeuvres (9) 2 x 10⁶ manoeuvres (12) 10 x 10⁶ manoeuvres

Caractéristiques des modules de sorties à connecteur(s)

Sorties à triacs		08S5 / 16S5	16S4
Référence module TSX DSY			
Tension limite d'emploi		41...264 VCA	20...132 VCA
Courant admissible	TSX DSY 08S5	2A / voie - 12A / module	1A / voie - 12A / module
	TSX DSY 16S5	1A / voie - 12A / module	
Temps de réponse	Enclenchement	< 10ms	< 10ms
	Déclenchement	< 10ms	< 10ms
Isolément (50/ 60 Hz, 1 mn)		2000 V eff.	2000 V eff.
Consommation 5V typique	TSX DSY 08S5	125 mA	220 mA
	TSX DSY 16S5	220 mA	
Puissance dissipée (W)	TSX DSY 08S5	0,5W + 1W/A par sortie	0,85W + 1W/A par sortie
	TSX DSY 16S5	0,5W + 1W/A par sortie	

Sorties statiques pour courant continu (logique positive)

Référence module TSX DSY		32T2K	64T2K
Valeurs nominales	Tension	24 VCC	24 VCC
	Courant	0,1 A	0,1 A
Valeurs limites (pour U _s ≤ 30 ou 34V ondulation incluse)	Tension	19...30 V(1)	19...30 V(1)
	Courant/voie	0,125 A	0,125 A
	Courant/module	3,2 A	5 A
Puissance lampe à filament de tungstène		1,2 W (maximum)	1,2 W (maximum)
Courant de fuite	à l'état 0	<0,1mA pour U=30V	<0,1mA pour U=30V
Tension de déchet	à l'état 1	<1,5 V pour I = 0,1 A	<1,5 V pour I = 0,1 A
Impédance de charge mini		220 Ω	220 Ω
Parallélisation des sorties		Oui : 3 maxi	Oui : 3 maxi
Temps de réponse		1,2ms	1,2ms
Seuil de contrôle	Ok	> 18 V	> 16 V
	Défaut	< 14 V	< 14 V
Rigidité diélectrique (50/ 60 Hz, 1 mn)		1500 V eff.	1500 V eff.
Consommation	5 V typique	135 mA	155 mA
	24 V capteurs typ.	30 mA	60 mA
Puissance dissipée (2) (W)		1,6 +(Nx 0,1)	2,4+(Nx 0,1)

(1) jusqu'à 34 V (1 h / 24 h)

(2) N = nbre de voies

Caractéristiques modules mixtes d'entrées/sorties à connecteurs

Caractéristiques des entrées			
Référence module TSX DMY		28FK / 28RFK	
Valeurs nominales d'entrée		Tension	24 VCC
		Courant	3,5 mA
Valeurs limites d'entrée	à l'état 1	Tension	≥ 11 V
		Courant	≥ 3,5 mA
	à l'état 0	Tension	≤ 5 V
		Courant	≤ 1,5 mA
Alimentation capteurs (ondulation comprise)		19...30 V jusqu'à 34 V (1 h / 24 h)	
Impédance d'entrée (à U nominale)		6,3 kΩ	
Type d'entrée		puits de courant	
Parallélisation des entrées		Oui	
Compatibilité DDP 2 fils / 3 fils		Oui	
Seuil de contrôle tension capteur		Ok	> 18 V
		Défaut	< 14 V
Rigidité diélectrique (50/ 60 Hz, 1 mn)		1500 V eff.	
Consommation		5 V typique	300 mA
		24 V capteurs typique	20+(Nx 3,5) mA
Puissance dissipée (W)		0,1	

Caractéristiques des sorties			
Référence module TSX DMY		28FK / 28RFK	
Valeurs nominales de sortie		Tension	24 VCC
		Courant	0,5 A
Valeurs limites d'entrée		Tension	19...30 V jusqu'à 34 V (1 h / 24 h)
		Courant / voie	0,625 mA
		Courant / module	4 A
Puissance lampe à filament de tungstène		6 W	
Courant de fuite		à l'état 0	<1 mA
Tension de déchet		à l'état 1	<1,2 V
Impédance de charge mini			48 Ω
Temps de réponse			0,6 ms
Seuil de contrôle tension pré-actionneur		Ok	> 18 V
		Défaut	< 14 V
Rigidité diélectrique (50/ 60 Hz, 1 mn)			1500 V eff.
Consommation		24 V pré-actionneurs	30 / 40 mA
Puissance dissipée			1 W + 0,75 W par sortie à 1

Maintenance / Diagnostic

Les voyants d'état, en face avant du module, permettent un diagnostic rapide de celui-ci :

- 3 voyants d'état du module renseignent sur le mode de fonctionnement du module
 - RUN (vert : état du module (allumé : marche normale; éteint : module en défaut),
 - ERR (rouge) : défauts internes (allumé : module en panne; clignotant : défaut de communication),
 - I/O (rouge) : défauts externes (allumé : surcharge, court-circuit, défaut tension capteurs / pré-actionneurs; clignotant : défaut bornier).

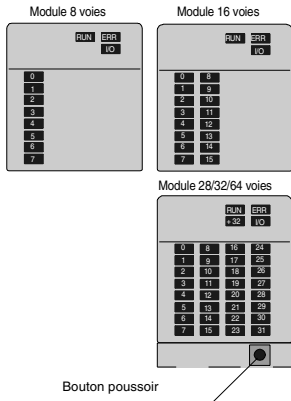
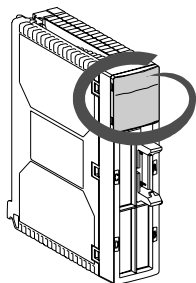
⚠ Pendant les auto-test les voyants RUN, ERR et I/O clignotent.




- 8, 16 ou 32 voyants d'état des voies renseignent sur l'état de chaque entrée ou sortie (allumé : voie à l'état 1; clignotant : voie en défaut, surcharge ou court-circuit; éteint : voie à l'état 0).

De plus, le voyant +32, présent sur les modules à 64 voies, indique le groupe de voies qui est visualisé (éteint : voies 0 à 31; allumé : voies 32 à 63). Un bouton poussoir (présent uniquement sur les modules 64 voies) permet de sélectionner le groupe de voies.

Dans le cas du module mixte d'entrées/sorties 28E/S (16E + 12S):

- les voyants 0 à 15 visualisent l'état des entrées,
- les voyants 16 à 27 visualisent l'état des sorties.



	Allumé 	Clignotant 	Eteint 
RUN	Marche normale	-	Module en défaut ou hors tension
ERR	Défaut interne module en panne	Défaut de communication voyant RUN allumé Module non configuré si voyant RUN éteint (1)	Pas de défaut module
I/O	Défaut externe: surcharge, court-circuit, défaut tension capteurs/pré-actionneurs	Défaut bornier	Pas de défaut externe
0...I	voie à l'état 1	Voie en défaut, surcharge ou court-circuit	Voie à l'état 0

(1) Cet état n'est disponible que sur les versions de module $V \geq V2.0$.

Conditions de service

Température de fonctionnement		0...60° C
Humidité relative		10...95% (sans condensation)
Altitude de fonctionnement		0...2000 m
Immunité aux	vibrations	IEC 68-2-6, essai Fc, sévérité 2 g
	chocs	IEC 68-2-27, essai Ea
Tenue aux décharges électrostatiques		IEC 1000-4-2, niveau 3
Immunité aux	champs électromagnétiques	IEC 1000-4-3, niveau 3
	transitoires rapides	IEC 1000-4-4, niveau 3
	ondes de chocs	IEC 1000-4-5
	ondes oscillatoires amorties	IEC 1000-4-12
Tenue aux parasites BF		IEC 1131-2
Température de stockage		-25...+70° C
Sécurité mécanique		IP 20 avec caches TSX RKA 01

Recomendaciones generales de seguridad

Racks estándares TSX RKY ** y extensibles TSX RKY **EX

Presentación	7
Descripción física	8
Dimensiones	9
Montaje / Fijación	9
Normas de instalación	10
Direccionamiento de los racks de una estación automática	11
Direcciones de los módulos	13
Instalación de los módulos	14
Montaje de los módulos y borneros	16
Constitución de una estación automática con procesador TSX P57	17
Constitución de una estación automática con procesador PCX 57	19
Cables de extensión Bus X	21
Terminación de línea TSX TLYEX	22
Tapa de protección de una posición no ocupada	24
Identificación	24

Módulos de alimentación TSX PSY ***

Presentación	27
Catálogo	27
Descripción física	28
Funciones auxiliares	29
Instalación / Montaje	30
Características	31
Reglas de conexión	35

Conexiones

Puesta a tierra de los racks	37
Conexión de las alimentaciones	37
Conexión del relé alarma	40

TSX P57

Presentación	41
Descripción física	42
Instalación / Montaje	44
Precauciones	45
Funciones auxiliares	46
Diagnóstico a partir de los indicadores de visualización	54
Características	55

Presentación general de los módulos de entradas/salidas TON

Presentación	63
Descripción física	63
Resumen del catálogo	64
Instalación / Montaje	66
Funciones	66
Medios de conexión y normas de cableado	69
Características de los módulos de entradas con bornero	71
Características de los módulos de salidas con bornero	73
Características de los módulos de salidas con conector(es)	75
Características del módulo mixto de entradas/salidas con conectores	76
Mantenimiento / Diagnóstico	77
Condiciones de servicio	78

1 Información general

La presente documentación va dirigida a personas técnicamente cualificadas para la instalación, explotación y mantenimiento de los productos que aquí se describen. Para un uso «avanzado» de dichos productos, diríjase a la agencia más cercana, a fin de obtener información adicional.

El contenido de la documentación no es contractual y no podrá en ningún caso ampliar o restringir las cláusulas de garantía contractuales.

2 Cualificación del personal

Sólo un **personal cualificado** está autorizado para instalar, explotar o mantener los productos. La intervención de una persona no cualificada o el incumplimiento de las recomendaciones de seguridad, incluidas en el presente documento o que se adjuntan con los equipos, puede poner en peligro la seguridad del personal y/o la seguridad del hardware, de forma irremediable.

3 Advertencias

Las advertencias sirven para prevenir riesgos concretos que pueden sufrir el personal y/o el hardware. Se indican en las documentaciones y en los productos mediante una llamada de atención: Cuidado

Significa que la no aplicación de la recomendación o el incumplimiento de la advertencia provoca o puede provocar lesiones físicas graves, que pueden ocasionar la muerte y/o importantes desperfectos en el material.

Importante o

Indica una recomendación concreta cuyo incumplimiento puede provocar lesiones físicas leves y/o daños en el hardware.

Nota

Destaca una información importante sobre el producto, su manipulación o su documentación complementaria.

4 Conformidad de uso

Los productos que se describen en las documentaciones **están conformes con las Directrices Europeas** (*) a las que están sometidas (acreditación CE). Sin embargo, sólo se podrán utilizar de manera correcta en aquellas aplicaciones para las que están previstos en las distintas documentaciones y en terceros productos autorizados.

(*) Directrices DCEM y DBT relativas a la Compatibilidad Electromagnética y a la Baja tensión.

5 Instalación de los equipos

Durante la instalación de los equipos, es importante que se respeten las normas siguientes. Además, si la instalación contiene enlaces numéricos, será necesario aplicar las normas elementales para el cableado que se detallan en la guía del usuario, **referencia TSX DG KBL**.

•Se deben respetar al pie de la letra las recomendaciones de seguridad incluidas en la documentación o en los equipos que se van a instalar.

•El tipo de equipo determina la manera en que se tiene que instalar:

- un equipo empotrable (por ejemplo, una consola de explotación) tendrá que empotrarse,
- un equipo incorporable (por ejemplo, un autómatas programable) tendrá que colocarse en un armario o en una caja,
- un equipo «de sobremesa» o portátil (por ejemplo, un terminal de programación o un ordenador portátil) permanecerá con su caja cerrada,

Si el equipo está conectado de forma fija, será necesario integrar en su instalación eléctrica un dispositivo de seccionamiento de la alimentación y un cortacircuito de protección en caso de que se produzca un exceso de tensión o un fallo de aislamiento. Si no es este el caso, la toma de la red eléctrica se conectará a tierra y será fácilmente accesible. **El equipo se tendrá que conectar a la masa de protección.**

- Si el equipo está alimentado con 24 ó 48 v de corriente continua, habrá que proteger los circuitos de baja tensión. Sólo se utilizarán alimentaciones conformes con las normas vigentes.
- Se debe comprobar que las tensiones de alimentación permanecen dentro de los márgenes de tolerancia definidos en las características técnicas de los equipos.
- Se tendrán que seguir todas las disposiciones necesarias para que la conexión a la red eléctrica (inmediata, en caliente o en frío) no suponga riesgos para el personal o para la instalación.
- Los dispositivos de parada de emergencia tendrán que ser eficaces en todos los modos de funcionamiento del equipo, incluso en situaciones anormales (por ejemplo, el corte de un cable). El restablecimiento de estos dispositivos no deberá provocar rearranques incontrolados o indefinidos.
- Los cables que transportan señales tendrán que estar colocados de manera que las funciones de los automatismos no se vean afectadas por influencias capacitivas, inductivas y electromagnéticas...
- Los equipos de automatismo y sus dispositivos de control se tendrán que instalar de manera que queden protegidos contra maniobras inopinadas.
- Para evitar que una falta de señales provoque estados indefinidos en el equipo de automatismo, se tendrán que tomar las medidas de seguridad adecuadas para las entradas y las salidas.

6 Funcionamiento de los equipos

La seguridad en el funcionamiento de un dispositivo representa su capacidad para evitar la aparición fallos y minimizar sus efectos una vez que se han producido.

Un fallo interno a un sistema de control se denominará de tipo:

- Pasivo, si se manifiesta por medio de un circuito de salida abierto (los accionadores no reciben ninguna orden).
- Activo, si se manifiesta por medio de un circuito de salida cerrado (se envía una orden a los accionadores).

En lo que se refiere a la seguridad, un determinado fallo será peligroso según la naturaleza de la orden realizada en funcionamiento normal. Un fallo pasivo es peligroso si el comando normal es una operación de alarma; un fallo activo es peligroso si mantiene o activa un comando no deseado.

El diseñador del sistema deberá tomar ciertas precauciones, **usando dispositivos externos al autómatas programable**, contra fallos activos internos a dicho autómatas, indicados o no.

7 Características eléctricas y térmicas

El detalle de las características eléctricas y térmicas de los equipos aparece en la documentación técnica asociada (manuales de instalación, instrucciones de servicio).

8 Mantenimiento

Indicaciones para realizar la reparación

- Las reparaciones de un equipo de automatismo sólo las realizará personal cualificado (técnico S.A.V o técnico autorizado por Schneider Automation SA). Para la sustitución de piezas o componentes sólo se utilizarán piezas originales.
- Antes de intervenir sobre un equipo hay que interrumpir, en todos los casos, su alimentación y bloquear mecánicamente las piezas susceptibles de movimientos.

Sustitución y reciclado de pilas usadas

Se deben utilizar pilas del mismo tipo que las originales y eliminar las pilas defectuosas como desechos tóxicos.

Presentación

Los racks TSX RKY aseguran las funciones siguientes:

- funciones mecánicas: permiten la fijación del conjunto de los módulos de una estación automática (alimentación, procesador, E/S TON...) y se pueden fijar en armarios, bastidores de máquina o en paneles,
- funciones eléctricas: integran un bus, denominado Bus X, que asegura la distribución de las alimentaciones necesarias para cada módulo de un mismo rack y de las señales de servicio y datos para el conjunto de la estación automática por si ésta incluye varios racks.

Se proponen 2 tipos de racks (estándares y extensibles) en varias modularidades (4, 6, 8, 12 posiciones):

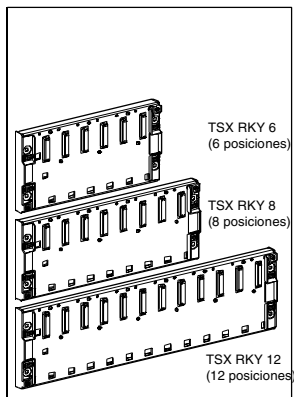
- racks estándares: permiten constituir una estación automática limitada a **1 solo rack**,

- racks extensibles: permiten constituir una estación automática que puede incluir:

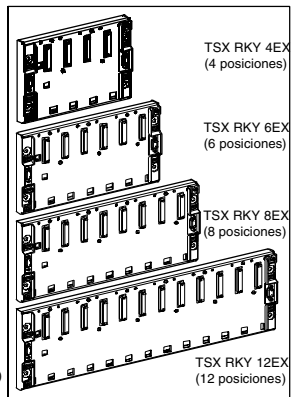
- **8 racks como máximo** TSX 4EX/6EX/8EX
- **16 racks como máximo** TSX 4EX/6EX/8EX

Estos racks están repartidos en un bus denominado bus X cuya longitud máxima no debe exceder los 100 metros. La continuidad del Bus X de un rack hacia otro rack está asegurada por un cable de extensión del bus con unas características específicas.

Racks estándares

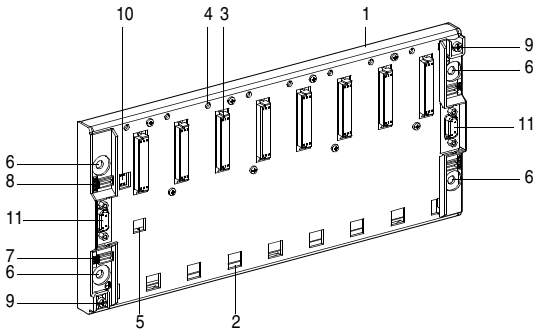


Racks extensibles



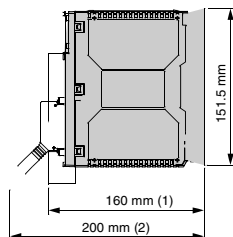
Descripción física

El siguiente rack es un rack extensible *TSX RKY 8EX*. Los racks estándares no incluyen microinterruptores (marca 10) ni conectores SUB D 9 patillas (marca 11).

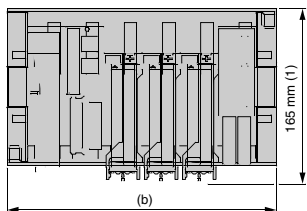


- 1 Chapa metálica que asegura las funciones de soporte de la tarjeta electrónica Bus X y de protección de ésta contra los parásitos de tipo EMI/ESD, de soporte de los módulos, de rigidez mecánica del rack.
- 2 Ventanas destinadas al anclaje de los topes de los módulos.
- 3 Conectores 1/2 DIN 48 patillas hembra que aseguran la conexión entre el rack y los módulos. Están protegidos por tapas que deben retirarse antes de colocar los módulos. El conector situado más a la izquierda, con referencia PS, se dedica siempre al módulo alimentación del rack; los demás conectores con referencia 00 a están destinados a recibir los demás tipos de módulos.
- 4 Orificios para albergar el tornillo de fijación del módulo.
- 5 Ventana que asegura el decodificador durante el montaje del módulo alimentación que no se podrá montar en ninguna otra posición.
- 6 Orificios para tornillos M6 que permiten la fijación del rack en un soporte.
- 7 Alojamiento para referenciar la dirección del rack.
- 8 Alojamiento para referenciar la dirección de la estación.
- 9 Bornes para conectar a tierra del rack.
- 10 Microinterruptor para codificación de la dirección del rack. Estos microinterruptores sólo existen en los racks extensibles TSX RKY 4EX/6EX/8EX/12EX.
- 11 Conectores SUB D 9 patillas hembra para conectar a distancia del Bus X con otro rack. Dichos conectores sólo existen en los racks extensibles TSX RKY 4EX/6EX/8EX/12EX.

Dimensiones



- (1) con módulos de borneros con tornillos
 (2) profundidad máxima con todos los tipos de módulos y conécticas asociadas

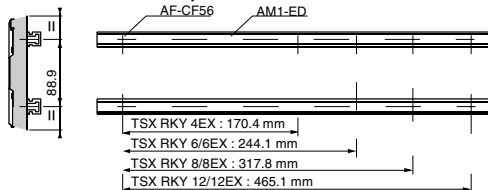


Referencias racks	(b) en mm
TSX RKY 4EX	187,9 mm
TSX RKY 6/6EX	261,6 mm
TSX RKY 8/8EX	335,3 mm
TSX RKY 12/12EX	482,6 mm

Montaje / Fijación

• Montaje sobre perfilado DIN de 35 mm de ancho

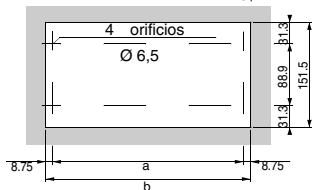
Fijación con 4 tornillos M6x25 + arandelas y tuercas 1/4 de vuelta deslizante AF1-CF56



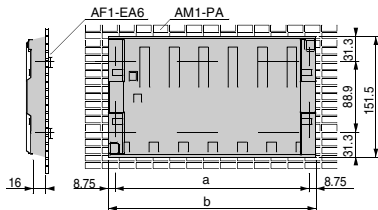
• Montaje sobre panel: plan de perforación (lados en milímetros)

Referencias racks	a	b
TSX RKY 4EX	170,41	87,9
TSX RKY 6/6EX	244,1	261,6
TSX RKY 8/8EX	317,8	335,3
TSX RKY 12/12EX	465,1	482,6

lados a y b en milímetros



•Montaje sobre platina perforada Telequick AM1-PA

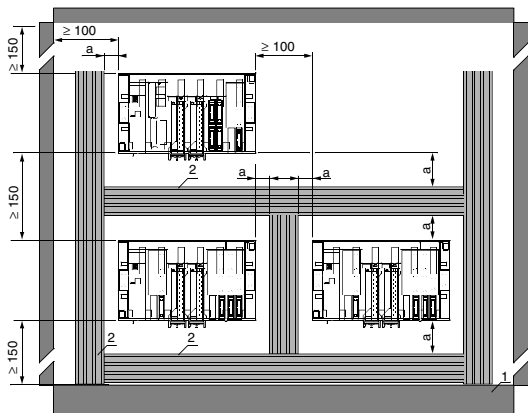


Fije el rack con 4 tornillos M6x25 + arandelas y tuercas de clip AF1-EA6. (lados a y b : véase la tabla de la página anterior).

•Par de apriete de los tornillos de fijación: 2.0 N.m máximo

Normas de instalación

Los racks TSX RKY se deben instalar horizontalmente y en un plano vertical.



$a \geq 50 \text{ mm}$

1 equipo o cubierta

2 canal o codo cableado

Direccionamiento de los racks de una estación automática

- Estación constituida a partir de un rack estándar

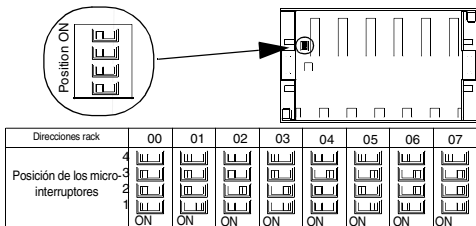
La estación siempre está limitada a un solo rack y la dirección del rack está implícita y tiene siempre valor 0.

- Estación constituida a partir de racks extensibles

Para cada rack de la estación, 4 microinterruptores situados en el rack permiten:

- codificar la dirección del rack en el Bus X (0 a 7): microinterruptores 1 a 3,
- codificar 2 racks (4, 6 u 8 alojamientos) en la misma dirección: microinterruptor 4.

Los programas PL7 Junior y PL7 Pro versiones $V \geq 3.3$ son los únicos que administran esta función. La codificación de la dirección se deberá hacer antes de montar el módulo de alimentación



Asignación de las direcciones a los diferentes racks:

- Dirección 0: Esta dirección siempre se atribuye al rack que soporte:

- físicamente el procesador TSX P57,
- virtualmente el procesador PCX 57.

Este rack puede estar situado en cualquier posición de la cadena,

- Direcciones 1 a 7: Se pueden asignar en cualquier orden a los demás racks de la estación.

⚠ Si por error, dos o más racks se colocan involuntariamente en la misma dirección (que no sea la dirección 0), los racks implicados pasan al estado de fallo, al igual que todos sus módulos.

Después de haber efectuado el direccionamiento correcto de los racks de dirección errónea, es necesario conectar/desconectar la alimentación de los racks en cuestión.

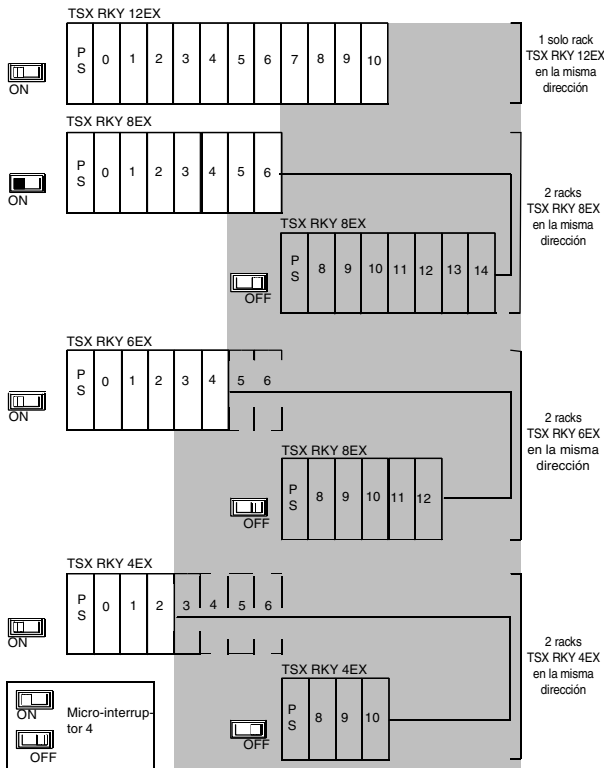
Notas: 1 esta observación sólo se refiere a los racks de referencia TSX RKY EX,

2 si dos o más racks están en la dirección 0, el rack que soporta el procesador no se pone en estado de fallo.

Principio de direccionamiento de 2 racks en la misma dirección (véase el esquema contiguo). Los programas PL7 Junior y PL7 Pro versiones $V \geq 3.3$ son los únicos que gestionan esta función.

- Los racks TSX RKY 12EX no podrán recibir un segundo rack en la misma dirección,

- Los racks TSX RKY 4EX/6EX/8EX se podrán mezclar entre sí,
- Dos racks TSX RKY 4EX/6EX/8EX de misma dirección no estarán forzosamente encadenados uno a continuación del otro; el orden de repartición físico no tendrá importancia



Direcciones de los módulos

La dirección de un módulo es geográfica y depende de la posición del módulo en el rack. La dirección de cada posición está indicada debajo de cada conector. El conector con referencia PS está siempre reservado para la alimentación.

Direcciones de los módulos en función de los tipos de racks

•Racks estándares

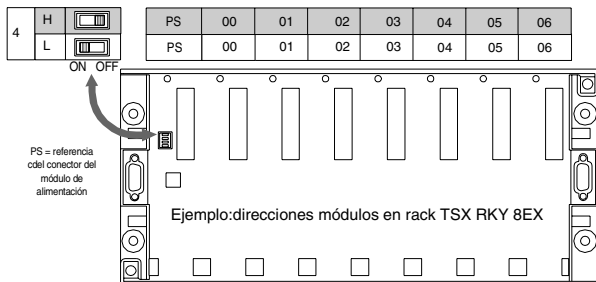
- Racks TSX RKY 6: direcciones 00 a 04,
- Racks TSX RKY 8: direcciones 00 a 06,
- Racks TSX RKY 12: direcciones 00 a 10,

•Racks extensibles

La dirección de un módulo dependerá de la posición del microinterruptor 4 (véase el siguiente cuadro).

Tipos de racks	Direcciones módulos	
	microinterruptor 4 en posición ON	microinterruptor 4 en posición OFF
Rack TSX RKY 4EX	00 a 02	08 a 10
Rack TSX RKY 6EX	00 a 04	08 a 12
Rack TSX RKY 8EX	00 a 06	08 a 14
Rack TSX RKY 12EX	00 a 10	no utilizable

Direcciones módulos



Nota: sólo se puede acceder a las direcciones sombreadas a partir de los programas PL7 Junior y PL7 Pro versiones V ≥ 3.3

Instalación de los módulos

•En racks estándares o extensibles de dirección 0 con procesador TSX P57

El rack de dirección 0 recibe obligatoriamente un módulo alimentación y el módulo procesador. Ya que los autómatas Premium disponen de dos tipos de alimentación (formato estándar o formato doble), la posición del procesador dependerá del tipo de alimentación utilizado.

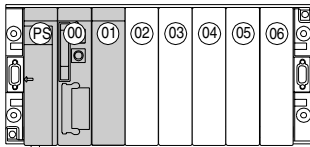
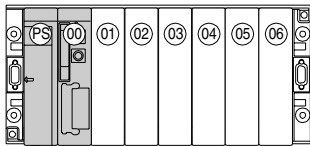
Utilización de un módulo alimentación de formato estándar:

-el módulo alimentación ocupa sistemáticamente la posición PS,

-el módulo procesador de formato estándar se puede instalar en la posición 00 (posición preferente) o en la posición 01 (en este caso la posición 00 no está disponible),

-el módulo procesador de formato doble se puede instalar en las posiciones 00 y 01 (posición preferente) o en las posiciones 01 y 02 (en este último caso, la posición 00 no está disponible),

-los demás módulos se instalan a partir de las posiciones 01, 02 o 03 según la instalación del procesador.



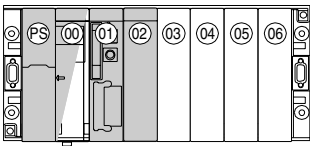
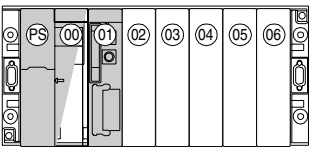
Utilización de un módulo alimentación de formato doble:

-el módulo alimentación ocupa sistemáticamente las posiciones PS y 00,

-el módulo procesador de formato estándar se instala obligatoriamente en la posición 01,

-el módulo de procesador de formato doble se instala en las posiciones 01 y 02,

-los demás módulos se instalan a partir de las posiciones 02 o 03 según el tipo de procesador (formato estándar o formato doble).

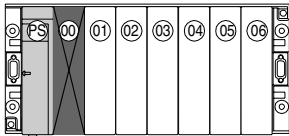


•En racks extensibles de dirección 0 con procesador PCX 57 integrable en un PC

El procesador PCX 57, integrado en el PC, ocupa virtualmente una posición en el rack de dirección 0. Dicha posición virtual estará desocupada. Ya que los autómatas Premium disponen de dos tipos de alimentación (formato estándar o formato doble), la posición del procesador dependerá del tipo de alimentación utilizado.

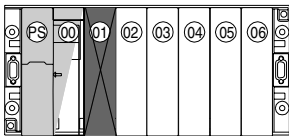
Utilización de un módulo de alimentación formato estándar:

- el módulo de alimentación ocupa sistemáticamente la posición PS,
- la posición 00, alojamiento virtual del procesador, debe estar desocupada.
- los demás módulos se instalan a partir de la posición 01.



Utilización de un módulo alimentación de formato doble:

- el módulo alimentación ocupa sistemáticamente las posiciones PS y 00,
- la posición 01, alojamiento virtual del procesador, debe estar desocupada.
- los demás módulos se instalan a partir de la posición 02.

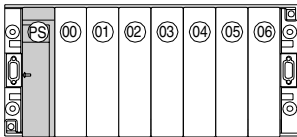


•En rack extensible de dirección 1 a 7

Cada rack debe estar provisto de un módulo de alimentación de formato estándar o de formato doble.

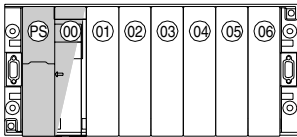
Utilización de un módulo de alimentación de formato estándar:

- el módulo alimentación ocupa sistemáticamente la posición PS,
- los demás módulos se instalan a partir de la posición 00.



Utilización de un módulo de alimentación formato doble:

- el módulo alimentación ocupa sistemáticamente las posiciones PS y 00,
- los demás módulos se instalan a partir de la posición 01.

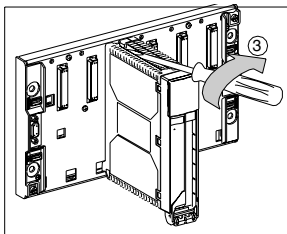
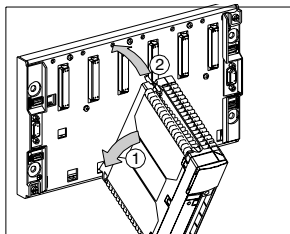


Montaje de los módulos y borneros

El montaje y desmontaje de los módulos se puede realizar con tensión **salvo para los módulos de alimentación, el procesador y las tarjetas de comunicación PCMCIA.**

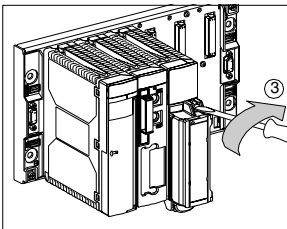
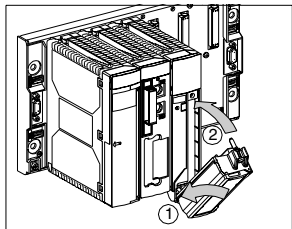
⚠ La inserción/extracción de un módulo con tensión se debe hacer obligatoriamente **por atornillamiento o desatornillamiento manual y con el bornero o el conector HE10 desconectado** y la alimentación sensores/preaccionadores interrumpida si ésta es superior a 48V.

• Montaje de los módulos con bornero de tornillos



• Colocación de un bornero de tornillos sobre un módulo

El primer montaje de un bornero de tornillos sobre un módulo implica la codificación del bornero con respecto al módulo sobre el que se monta. Dicha codificación se efectúa por transferencia de 2 contactos codificados del módulo sobre el bornero. Este código mecánico impide el posterior montaje del bornero codificado de este modo en un modelo de otro tipo.



Nota: Cuando se sustituye un módulo colocado en un rack por otro módulo, el bornero de tornillos conectado al antiguo módulo ya cuenta con los contactos de codificación relativos al mismo. Se pueden dar dos casos:

- **Módulo averiado, que se debe reemplazar por un módulo del mismo tipo:** para poder colocar el bornero sobre el nuevo módulo, primero será preciso levantar los contactos de codificación situados en el nuevo módulo antes de realizar el montaje del bornero,
- **Sustitución de un módulo por otro de distinto tipo:** extraiga primero los antiguos contactos de codificación situados en el bornero y realice a continuación el montaje según el proceso ya descrito,

Constitución de una estación automática con procesador TSX P57

A partir de racks estándares TSX RKY6/8/12
Los racks estándares permiten constituir una estación automática limitada a **un solo rack**.

•A partir de racks extensibles**TSX RKY 4EX/6EX/8EX/12EX**

Los racks extensibles permiten constituir una estación automática que puede incluir como máximo:

Estación TSX P57 10:

-2 racks TSX RKY 12EX,

-4 racks TSX RKY 4EX/6EX/8EX.

Estación TSX P57 20/57 30/57 40:

-8 racks TSX RKY 12EX,

-16 racks TSX RKY 4EX/6EX/8EX.

Una misma estación puede incluir racks de 4, 6, 8 y 12 alojamientos vinculados entre sí por cables de extensión Bus X (referencia 1). El Bus X deberá adaptarse en cada uno de sus extremos con una terminación de línea (referencia 2).

-cables de extensión Bus X

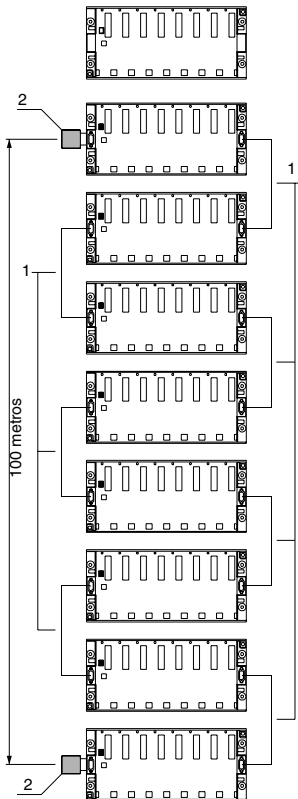
La conexión entre los racks se realiza con cables TSX CBY 0K que se conectan con el conector SUB D 9 patillas situado a la izquierda y a la derecha de cada rack extensible. Como no existe noción de entrada y salida a nivel de los conectores SUB D 9 patillas, la llegada de un cable procedente de un rack o la salida de un cable hacia otro rack, se puede hacer indistintamente a partir de los conectores derecho o izquierdo.

-terminación de línea

Los dos racks extensibles situados en los extremos del Bus X reciben **obligatoriamente**, en el conector no utilizado, una terminación de línea TSX TLYEX, con referencia A/ y/B.

-longitud máxima de los cables

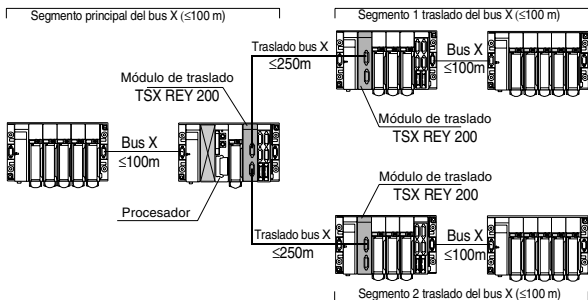
La longitud acumulada del conjunto de los cables TSX CBY 0K utilizados en una estación automática nunca deberá exceder los 100 metros..



Si una estación automática TSX P57 requiere distancias entre racks superiores a 100 metros, un módulo de traslado del bus X (TSX REY 200) permite, a partir del rack que soporta el procesador, trasladar dos segmentos de bus X a una distancia máxima de 250 metros; cada segmento de bus X puede tener una distancia máxima de 100 metros.

El número máximo de racks de la estación sigue siendo idéntico al de una estación sin módulo de traslado:

- Estación TSX P57 10:
 - 2 racks TSX RKY 12EX,
 - 4 racks TSX RKY 4EX/6EX/8EX.
- Estación TSX P57 20/57 30/57 40:
 - 8 racks TSX RKY 12EX,
 - 16 racks TSX RKY 4EX/6EX/8EX.



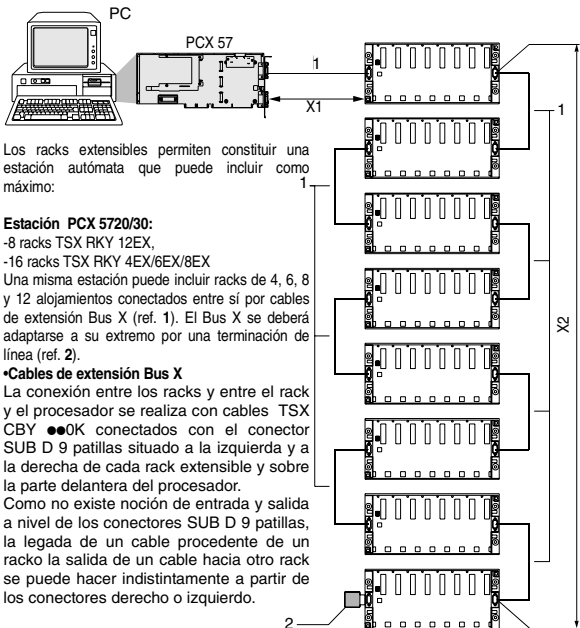
La instalación de un traslado de bus X se describe en las instrucciones de servicio suministradas al módulo TSX REY 200.

Terminología

- Estación TSX 57 10: estación equipada con un procesador TSX P57 10/15
- Estación TSX 57 20: estación equipada con un procesador TSX P57 20/25/2
- Estación TSX 57 30: estación equipada con un procesador TSX P57 30/35/3623
- Estación TSX 57 40: estación equipada con un procesador TSX P57 40/45/4823

Constitución de una estación automática con procesador PCX 57

En este caso, la estación automática se constituirá a partir de racks extensibles TSX RKY 4EX/6EX/8EX/12EX.



Los racks extensibles permiten constituir una estación automática que puede incluir como máximo:

Estación PCX 5720/30:

- 8 racks TSX RKY 12EX,
- 16 racks TSX RKY 4EX/6EX/8EX

Una misma estación puede incluir racks de 4, 6, 8 y 12 alojamientos conectados entre sí por cables de extensión Bus X (ref. 1). El Bus X se deberá adaptarse a su extremo por una terminación de línea (ref. 2).

•Cables de extensión Bus X

La conexión entre los racks y entre el rack y el procesador se realiza con cables TSX CBY ●●0K conectados con el conector SUB D 9 patillas situado a la izquierda y a la derecha de cada rack extensible y sobre la parte delantera del procesador.

Como no existe noción de entrada y salida a nivel de los conectores SUB D 9 patillas, la llegada de un cable procedente de un racko la salida de un cable hacia otro rack se puede hacer indistintamente a partir de los conectores derecho o izquierdo.

•Terminación de línea

El rack extensible situado en el extremo de la cadena recibe **obligatoriamente**, en el conector no utilizado, una terminación de línea TSX TLYEX, referencia/B.

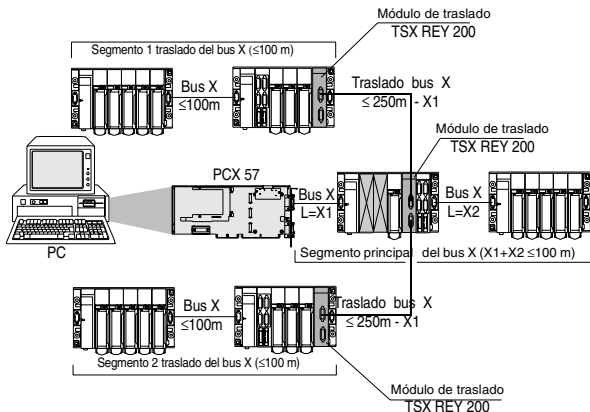
De origen, el procesador PCX 57 está equipado para situarse al principio de la línea, el equivalente de la terminación de línea /A está integrado en el mismo.

•Longitud máxima de los cables: la longitud acumulada ($X1 + X2$) del conjunto de los cables TSX CBY 0K utilizados en una estación automática nunca deberá exceder los 100 metros.

Si una estación automática PCX 57 requiere distancias entre racks superiores a 100 metros, un módulo de traslado bus X (TSX REY 200) permite a partir del rack que soporta virtualmente el procesador, trasladar dos segmentos de bus X a una distancia máxima de 250 metros; cada segmento de bus X puede tener una distancia máxima de 100 metros.

El número máximo de racks de la station sigue siendo idéntico al de una estación sin módulo de traslado:

- Estación PCX 5720/30:
- 8 racks TSX RKY 12EX,
- 16 racks TSX RKY 4EX/6EX/8EX.



La instalación de un traslado de bus X se describe en las instrucciones de servicio suministradas con el módulo TSX REY 200.

Terminología

- Estación PCX 57 10: estación equipada con un procesador TPCX 57 203
- Estación TSX 57 30: estación equipada con un procesador TPCX 57 353

Cables de extensión Bus X

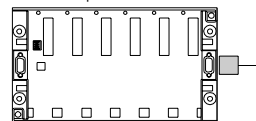
•Cables de extensión Bus X: TSX CBY 0K (••≥ 02) Estación con procesador

Estos cables, de longitud predeterminada, permiten encadenar los racks extensibles TSX RKY EX. Si se utiliza un procesador PCX 57, dichos cables permiten también conectar el procesador integrado en el PC y el primer rack de la estación. Están equipados en cada extremo con un conector SUB D 9 patillas.

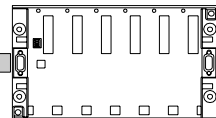
Nota: estos cables no transportan tensión de alimentación, ya que cada rack posee su propio módulo de alimentación.

Referencias	Longitudes
TSX CBY 010K (••≥ 02)	1 metro
TSX CBY 030K (••≥ 02)	3 metros
TSX CBY 050K (••≥ 02)	5 metros
TSX CBY 120K (••≥ 02)	12 metros
TSX CBY 180K (••≥ 02)	18 metros
TSX CBY 280K (••≥ 02)	28 metros
TSX CBY 380K (••≥ 02)	38 metros
TSX CBY 500K (••≥ 02)	50 metros
TSX CBY 720K (••≥ 02)	72 metros
TSX CBY 1000K (••≥ 02)	100 metros

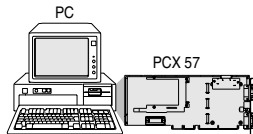
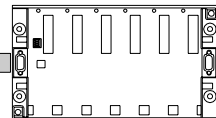
Estación con procesador TSX P57



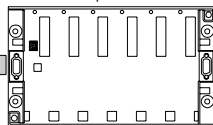
TSX CBY ••0K



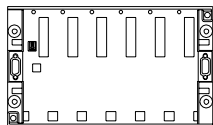
TSX CBY ••0K



Estación con procesador PCX 57



TSX CBY ••0K



⚠ La longitud acumulada del conjunto de cables utilizados en una estación automática no debe exceder los 100 metros.

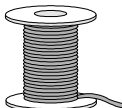
⚠ La inserción o la extracción de un cable TSX CBY 0K debe hacerse obligatoriamente con el conjunto de los racks de la estación apagados.

•Cables de extensión Bus X: TSX CBY 1000 (carrete de 100 metros de largo)

Para longitudes de Bus X inferiores a 100 metros entre 2 racks, pero diferentes de las propuestas para cables equipados de conectores, utilice obligatoriamente el cable TSX CBY 1000. El usuario debe montar unos conectores de empalme TSC CBY K9 en cada uno de los extremos del cable. El procedimiento de montaje se describe en las instrucciones de servicio que se entregan con el cable y los conectores.

Para instalar este cable son necesarios los siguientes elementos:

-Un carrete de cable TSX CBY 1000 y 2 comprobadores del cable (para comprobar las diferentes conexio-nes),



Carrete



Comprobadores



Conectores
TSX CBY K9

-Un lote de 2 conectores 9 patillas TSX CBY K9 con varios accesorios,

-un kit TSX CBY ACC10 que incluye 2 pinzas para engarzar y un extractor de contactos que se debe utilizar en caso de error.



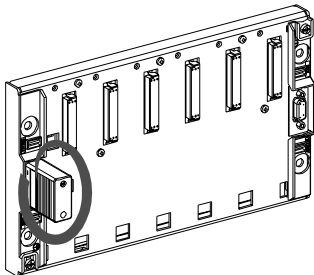
TSX CBY ACC10



Terminación de línea TSX TLYEX

Si se usan racks extensibles, el Bus X se debe adaptar a cada uno de sus extremos con una terminación de línea constituida por un conector SUB D 9 patillas y una tapa con los elementos de adaptación. Esta terminación de línea se monta sobre el conector SUB D 9 patillas libre de los racks extensibles situados al final de la línea.

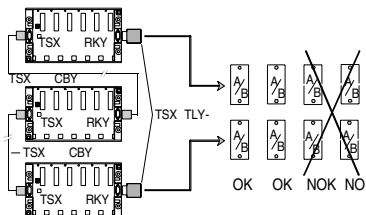
Las terminaciones de línea TSX TLY EX se venden de 2 en 2 con la referencia A/ y /B. El bus debe incluir obligatoriamente una terminación A/ en uno de sus extremos y una terminación /B en el otro sin orden predefinido.



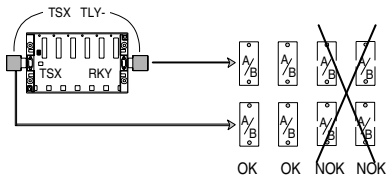
⚠ La inserción o la extracción de una terminación de línea debe hacerse obligatoriamente con el conjunto de los racks apagados.

•Colocación de las terminaciones de línea en una estación automática con procesador TSX P57

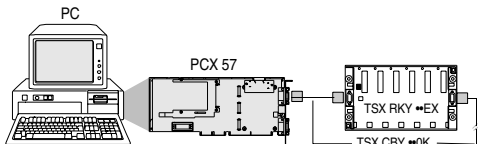
-en una estación automática que consta de varios racks extensibles TSX RKY ••EX.



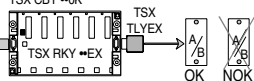
-en una estación automática que sólo consta de un rack extensible. En este caso, es obligatorio montar una terminación de línea en cada conector SUB D 9 patillas del rack.



•Colocación de las terminaciones de línea en una estación automática con procesador PCX 57

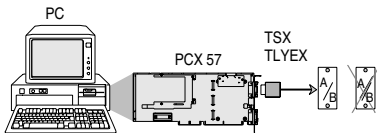


De origen, el procesador PCX 57 estequ Coastado para situarse al principio de la línea e integra la terminación de línea A/. Sólo la terminación de línea /B se montará en el conector disponible del rack situado en el extremo de la línea.



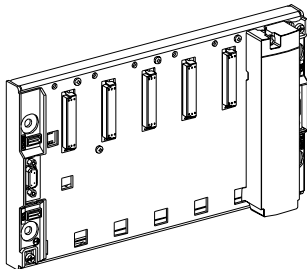
Caso particular:

En caso de que no haya ningún elemento conectado al conector Bus X del procesador, la terminación de línea /B se debe instalar **obligatoriamente** en dicho conector.



Tapa de protección de una posición no ocupada

Si en un rack hay alguna posición sin ocupar, no es aconsejable montar en dicha posición una tapa TSX RKA 02.

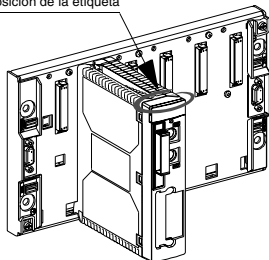


Identificación

•Identificación de las posiciones de los módulos en el rack

Cada rack se entrega con un conjunto de etiquetas adhesivas para referenciar la posición de cada módulo.

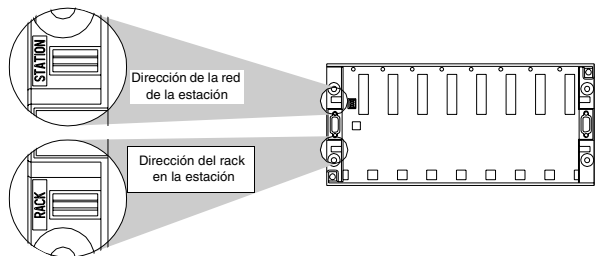
Posición de la etiqueta



PS	00	01	02	03	04	05	06	
	07	08	09	10	11	12	13	14

•Identificación del rack

Cada rack se entrega con un lote de patillas de referencia conectables que facilitan la dirección del rack en la estación y la dirección de la red de la estación.



Presentación

Los módulos alimentación TSX PSY ●●● suministran todas las tensiones necesarias para el funcionamiento de los módulos instalados en cada rack TSX RKY ●●●. Cada rack tiene su propio módulo de alimentación.

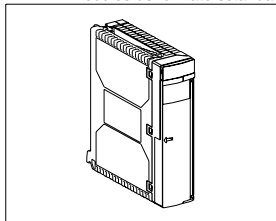
Para responder a las diferentes necesidades, proponemos varios tipos de módulos:

- Módulos para red de corriente alterna 110-220VCA de formato estándar y formato doble,
- Módulos para red de corriente continua 24 VCC no aislada de formato estándar y formato doble.
- Módulo para red de corriente continua 24...48 VCC aislada de formato doble.

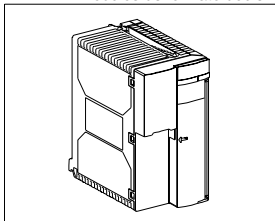
Además, cada módulo dispone por otra parte de funciones auxiliares como:

- Un bloque de visualización,
- Un relé alarma,
- Un alojamiento en el que se puede integrar una pila para la salvaguarda de los datos almacenados en la memoria RAM interna del procesador,
- Un botón pulsador de tipo punta de lápiz que simula, cuando se acciona, un corte de la alimentación que provoca un rearranque de la aplicación en caliente,
- Una alimentación para los sensores 24 VCC (exclusivamente en los módulos alimentados a partir de una red de corriente alterna).

Módulos de formato estándar



Módulos de formato doble



Catálogo

Formato módulo	Tensión red alimentación	Potencia útil total	Alimentación sensores	Referencias
estándar	100...240VCA	26W	24VCC / 0.6A	TSX PSY 2600
doble	100...120VCA	50W	24VCC / 0.8A	TSX PSY 5500
	200...240VCA	77/85/100W (1)	24VCC / 1.6A	TSX PSY 8500
estándar	24 VCC	26W	-	TSX PSY 1610
doble	24 VCC	50W	-	TSX PSY 3610
doble	24...48 VCC	50W	-	TSX PSY 5520

(1) 77 W a 60°C, 85 W a 55°C, 100 W a 55°C con rack ventilado

Descripción física

1 Bloque de visualización que incluye:

- un indicador OK (verde), encendido si el funcionamiento es normal,
- un indicador BAT (rojo), encendido si la pila está defectuosa o si no hay pila,
- un indicador 24V (verde), encendido si la tensión del sensor está presente y es correcta. Este indicador está presente exclusivamente en los TSX PSY 2600/5500/8500.

2 Botón pulsador RESET de punta de lápiz que provoca una reinicialización del aparato en caliente cuando se acciona.

3 Alojamiento para pila de salvaguarda de la memoria RAM interna del procesador.

4 Pantalla de protección de la parte frontal del módulo.

5 Bornero de tornillos para la conexión:

- a la red de alimentación,
- al contacto del relé de alarma,
- a la alimentación del sensor para los módulos alimentados por corriente alterna TSX PSY 2600/5500/8500.

6 Orificio por el que pasa una abrazadera para ajustar los cables.

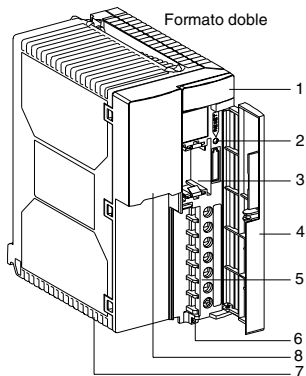
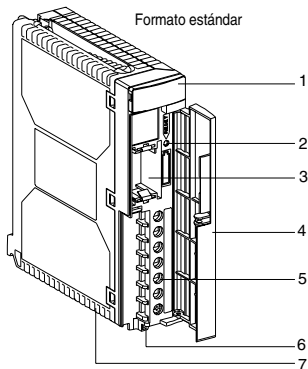
7 Fusible situado debajo del módulo y que asegura la protección:

- de la tensión 24 VR en el módulo de alimentación no aislado TSX PSY 3610.
- de la tensión primaria en el módulo de alimentación de corriente continua no aislado TSXPSY1610.

Nota: con alimentaciones TSX PSY 2600/5500/5520/8500, el fusible de protección de la tensión primaria es interno al módulo y no se puede acceder al mismo.

8 Selector de tensión 110/220, presente exclusivamente en el módulo de alimentación TSX PSY 5500/8500.

En su entrega, dicho selector está colocado en posición 220.



Funciones auxiliares

•**Relé alarma:** situado en cada módulo de alimentación, dicho relé dispone de un contacto libre de potencial accesible en el bornero de conexión del módulo.

•**Relé alarma del módulo situado en el rack que soporta el procesador (rack 0):** En funcionamiento normal (autómata en RUN), el relé está accionado y su contacto cerrado (estado 1). Si se produce cualquier parada, incluso parcial, un fallo bloqueante, tensiones de salida incorrectas, o desaparece la corriente, el relé vuelve a caer y el contacto se abre (estado 0).

Nota: si se utiliza un procesador de tipo PCX 57, el relé alarma no se administra y se encuentra por tanto constantemente abierto. Si esta función es imprescindible para el buen funcionamiento de la instalación, dicho relé alarma puede ser reemplazado por la utilización de una salida de relé de un módulo situado en el Bus X o en el bus FIPIO. Para eso, dicha salida tendrá que ser una salida con relé configurada y con un retorno a 0, e iniciada en el estado 1 cuando se empieza a ejecutar el programa aplicación.

•**Relé alarma de los módulos situados en los demás racks (racks 1 a 7):**

En este caso, al encender el módulo de alimentación y si las tensiones de salidas son correctas, el relé alarma se acciona y su contacto se cierra (estado 1). Si desaparece la tensión del sector o si las tensiones de salidas son incorrectas, el relé vuelve a caer (estado 0).

Estos modos de funcionamiento permiten utilizar dichos contactos en circuitos externos de seguridad positiva como el servomando de las alimentaciones de los preaccionadores.

•**Pila de seguridad:** Asegura la salvaguarda de la memoria RAM interna del procesador TSX P57. Se entrega en las mismas condiciones que el módulo y la debe colocar el usuario respetando las polaridades.

-Características de la pila: pila de litio cloruro de tionil, 3,6V / 0,8 Ah, tamaño 1 / 2AA.

-Referencia de la pieza de recambio: TSX PLP 01.

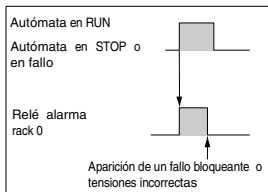
-Control del estado de la pila: En caso de problemas, el piloto BAT se enciende. En este caso, cambiar la pila inmediatamente.

-Duración de salvaguarda con la pila:

Temperatura ambiente sin funcionar		≤30°C	40°C	50°C	60°C
Tiempo de salvaguarda	Autómata sin tensión 12 Horas/día	5 años	3 años	años	años
	Autómata sin tensión 1Hora/día	5 años	5 años	4,años	4 años

-Autonomía de salvaguarda durante el cambio de la pila: el cambio de pila se debe efectuar con el módulo encendido o inmediatamente después de haberlo desconectado. En este último caso, el tiempo de intervención está limitado. Pasado un determinado período de tiempo, los datos de la memoria RAM pueden perderse

Temperatura ambiente durante la desconexión	20°C	30°C	40°C	50°C
Tiempo de salvaguarda	2h	45mn	20mn	8mn



Nota: con un procesador PCX 57, es inútil colocar una pila en la alimentación del rack que acoge virtualmente el procesador (rack de dirección 0). En este caso, la pila que asegura la salvaguarda de la memoria RAM interna del procesador se monta sobre el mismo.

•**Visualización** : 3 indicadores (OK, BAT, 24V) en los módulos TSX PSY 2600/5500/8500 y 2 indicadores (OK, BAT) en los módulos TSX PSY 1610/3610/5520.



-indicador OK (verde): encendido en funcionamiento normal, apagado si las tensiones de salidas ya no están presentes o son incorrectas,

-indicador BAT (rojo): encendido si no hay pila, si la pila está gastada, no es conforme, o si está al revés, y apagado en funcionamiento normal,

-indicador 24V (verde): encendido en funcionamiento normal, apagado si la tensión 24V de los sensores desaparece.

•**Botón pulsador RESET**: las acciones efectuadas sobre este pulsador (presionar y soltar) se traducen, con respecto a la aplicación, en un rearranque en caliente.

•**Alimentación de los sensores**: disponible en las alimentaciones de corriente alterna

TSX PSY 2600/5500/8500. Suministra la alimentación de 24 VCC de los sensores.

Instalación / Montaje

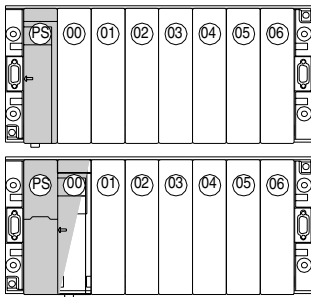
•Instalación

-Módulos de alimentación de formato estándar TSX PSY 2600/1610 :

Se instalan en el primer alojamiento de cada rack TSX RKY●●● ocupan la posición PS,

-Módulos de alimentación de formato doble TSX PSY 3610/5500/5520/8500:
Se instalan en los dos primeros alojamientos de cada rack TSX RKY ●●● y ocupan las posiciones PS y 00.

Nota: los módulos de alimentación están provistos de un sistema decodificador que sólo permite su instalación en los alojamientos anteriormente mencionados.



•**Montaje** : (véase capítulo "montaje de los módulos" del presente documento)

⚠ Un módulo de alimentación TSX PSY ●●● se debe montar o desmontar con las alimentaciones externas apagadas.

Características

•Alimentaciones no aisladas para red de corriente continua

Referencias		TSX PSY 1610	TSX PSY 3610	
Primaria	Tensiones nominales		24 VCC	24 VCC
	Tensiones límite (1) (ondulación incluida)		19,2...30 VCC (posible hasta 34V durante 1H / 24 H)	
	Corriente nominal absorbida		≤ 1,5 A a 24 V	≤ 2,7 A a 24 V
	Puesta bajo tensión inicial a 25°C (2)	I llamada	≤ 100 A a 24 V	≤ 150 A
		I _t en la conexión	0,2 As a 24 V	0,5 As a 24 V
	Duración microcortes aceptados		≤ 1 ms	≤ 1 ms
	Protección integrada en entrada + (fusible situado debajo del módulo)		por fusible 5x20, UL temporizado, 3,5 A	no
Secundaria	Potencia útil total		30 W	50 W
	Salida 5 VCC	Tensión nominal	5 VCC	5,1 VCC
		Potencia	15 W	35 W
	Salida 24VR (3) (24V relé)	Tensión nominal	U primaria - 0,6V	U primaria - 0,6V
		Potencia	15 W	19 W
Protección de las salidas contra (4)		sobrecargas/cortocircuitos/sobretensiones		
Potencia disipada		10 W	15 W	
Conformidad con las normas		CEI 1131-2	CEI 1131-2	

- (1) en el caso de alimentación de módulos "salidas con relés" el margen se reduce a 21,6...26,4V.
- (2) estos valores se tienen que tomar en cuenta para el dimensionamiento de los dispositivos de protección de línea delante de la alimentación.
- (3) salida 24 V --- destinada a la alimentación de los relés de los módulos "salidas con relés".
- (4) la salida 24 VR está protegida por un fusible situado debajo del módulo (4 A, 5x20, tipo M).

•Alimentaciones aisladas para red de corriente continua (continuación)

Referencias módulos		TSX PSY 5520	
Primaria	Tensiones nominales		24...48 VCC
	Tensiones límites (ondulación incluida)		19,2...60 VCC
	Corriente nominal absorbida		≤ 3 A à 24 V ≤ 1,5 A à 24 V
	Puesta bajo tensión inicial a 25°C (1)	I llamada	≤ 15 Aà 24 V ≤ 15 Aà 24 V
		I _t en la conexión	7 As à 24 V 6 As à 48 V
		I _{pt} en la conexión	50 A²s à 24 V 55 A²s à 48 V
	Duración microcortes aceptados		≤ 1 ms
Protección integrada en entrada +		por fusible interno, no accesible	
Secundaria	Potencia útil total		50 W
	Potencia útil total 5 VCC	Tensión nominal	5,1 VCC
		Potencia	35 W
	Sortie 24VR (2) (24V relais)	Tensión nominal	24VCC
		Potencia	19 W
Protección de las salidas contra sobrecargas/cortocircuitos/sobretensiones			
Potencia disipada		20 W	
Conformidad con las normas		CEI 1131-2	
Aislamiento	Resistencia dieléctrica	primaria/secundaria	2000V eff - 50/60 Hz - 1min.
		primaria/tierra	2000V eff - 50/60 Hz - 1min.

(1) estos valores se tienen que tomar en cuenta para el dimensionamiento de los dispositivos de protección de línea delante de la alimentación.

(2) salida 24 V --- destinada a la alimentación de los relés de los módulos "salidas con relés".

•Contacto del relé alarma

Tensión límite de uso		19...264VCA		10...30VCC	
Carga corriente alterna	Tensiones usuales	24 VCA	48 VCA	110 VCA	220 VCA
	Potencia sur charge résistive	50 VA	50 VA	110 VA	220 VA
	Potencia sur charge inductive	50 VA	50 VA	110 VA	220 VA
Carga corriente continua	Tensiones usuales	24 VCC			
	Potencia sobre carga resistiva o inductiva	24W			
Aislamiento	contacto/masa	2000 V eff - 50/60 Hz - 1 min.			
Protecciones a integrar en los bornes de la carga		RC o MOV en ~, diodo de descarga en ---			

(1) Posible hasta 34V durante 1H / 24 H

•Alimentaciones para red de corriente alterna

Referencias módulos			TSX PSY 2600	TSX PSY 5500
Primaria	Tensiones nominales		100...240VCA	100...120/ 200...240VCA
	Tensiones límite		85...264VCA	85...140/ 190...264VCA
	Frecuencia nominal/límite		50-60/47-63Hz	
	Potencia aparente		50VA	
	Corriente nominal absorbida		≤ 0,5 A à 100 V ≤ 0,3 A à 240 V	≤ 1,7 A à 100 V ≤ 0,5 A à 240 V
	Puesta bajo tensión inicial a 25°C (2)	llamada	≤ 37 A à 100 V ≤ 75 A à 240 V	≤ 38 A à 100V ≤ 38 A à 100V
		It en la conexión	0,034 As à 100 V 0,067 As à 240 V	0,11 As à 100 V 0,11 As à 240 V
		I ² t en la conexión	0,63 A ² s à 100 V 2,6 A ² s à 240 V	4 A ² s à 100 V 2 A ² s à 240 V
	Duración microcortes aceptados		≤ 10 ms	
	Protección integrada en fase por fusible interno, no accesible			
Secundaria	Potencia útil total		26 W	50 W
	Sortie 5 VCC	Tensión nominal	5,1 VCC	5,1 VCC
		Potencia	25 W	35 W
	Salida 24VR (2)	Tensión nominal	24 VCC	24 VCC
		Potencia	15 W	19 W
	Salida 24VC (3)	Tensión nominal	24 VCC	24 VCC
Potencia		12 W	19 W	
Protección de las salidas contrasobrecargas/cortocircuitos/sobretensiones				
Potencia disipada			10 W	20 W
Conformidad con las normas			CEI 1131-2	CEI 1131-2
Aislamiento	Resistencia dieléctrica	primaria/secundaria	2000V eff - 50/60 Hz - 1min	
		primaria/tierra	2000V eff - 50/60 Hz - 1min	

- 1) estos valores se tienen que tomar en cuenta para el dimensionamiento de los dispositivos de protección de línea delante de la alimentación.
- (2) salida 24 V --- destinada a la alimentación de los relés de los módulos "salidas con relés".
- (3) salida 24 V --- destinada a la alimentación de los sensores. No se puede poner en paralelo con una alimentación externa.

Alimentaciones para red de corriente alterna (continuación)

Referencias módulos			TSX PSY 8500
Primaria	Tensiones nominales		100...120/200...240VCA
	Tensiones límite		85...140/170...264VCA
	Frecuencia nominal/límite		50-60/47-63Hz
	Potencia aparente		150VA
	Corriente nominal absorbida		≤ 1,4 A à 100 V ≤ 0,5 A à 240 V
	Puesta bajo tensión inicial à 25°C (1)	I llamada	≤ 30 A à 100 V ≤ 60 A à 240 V
		II en la conexión	0,15 As à 100 V 0,15 As à 240 V
		III en la conexión	15 A²s à 100 V 8 A²s à 240 V
	Duración microcortes aceptados		≤ 10 ms
Protección integrada en fase por fusible interno, no accesible			
Secundaria	Potencia útil total		77/85/100 W (2)
	Salida 5 VCC	Tensión nominal	5,1 VCC
		Potencia	75 W
	Sortie 24VR (3)	Tensión nominal	no suministrada
		Potencia	no suministrada
	Sortie 24VC (4)	Tensión nominal	24 VCC
		Potencia	38 W
Protección de las salidas contra sobrecargas/cortocircuitos/sobretensiones			
Potencia disipada			20 W
Conformidad con las normas			CEI 1131-2
Aislamiento	Resistencia dieléctrica	primaria/secundaria	3000V eff - 50/60 Hz - 1mn
		primaria/tierra	3000V eff - 50/60 Hz - 1mn

- (1) estos valores se tienen que tomar en cuenta para el dimensionamiento de los dispositivos de protección de línea delante de la alimentación.
- (2) 77W à 60°C, 85W à 60°C, 100W à 55°C con rack ventilado por módulos de ventilación TSX FAN•
- (3) salida 24 V --- no suministrada en esta alimentación. No se pueden por tanto montar módulos de salidas con relés en los racks que tengan este módulo de alimentación.
- (4) salida 24 V --- destinada a la alimentación de los sensores. No se puede poner en paralelo con una alimentación externa.

•Condiciones de servicio de los autómatas Premium

Funcionamiento

Temperatura ambiente de funcionamiento	0°C...60°C
Humedad relativa	10% a 95% (sin condensación)
Altitud	0 a 2000 metros

Almacenamiento

Temperatura de almacenamiento	- 25°C à + 70°C
Humedad relativa	5% à 95% (sin condensación)

Reglas de conexión

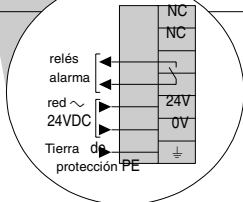
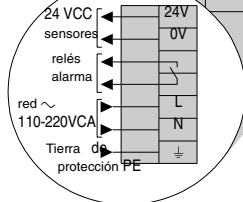
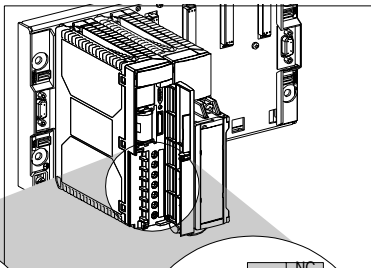
•**Conexiones** : El bornero de los módulos alimentación está provisto de bornes de tornillo en estribo imperdibles que permiten la conexión de 1 cable de sección máxima $2,5 \text{ mm}^2$ o 2 cables de sección $1,5 \text{ mm}^2$ con terminales. La salida de los cables se efectúa verticalmente hacia abajo, ya que éstos se pueden mantener por una brida de ajusta-cables. Para las alimentaciones de corriente continua, limitar la longitud del cable de conexión a la red para prevenir las pérdidas eventuales en la línea (ver abajo).

Referencias módulos	Longitud cables
TSX PSY 1610	30 metros (60 metros ida/vuelta) con cables de cobre de $2,5 \text{ mm}^2$
	20 metros (40 metros ida/vuelta) con cables de cobre de $1,5 \text{ mm}^2$
TSX PSY 3610/5520	15 metros (30 metros ida/vuelta) con cables de cobre de $2,5 \text{ mm}^2$
	10 metros (20 metros ida/vuelta) con cables de cobre de $1,5 \text{ mm}^2$

•**Par de apriete de los tornillos de estribo en bornero**: 0,8 N.m máximo

•**Protecciones** : Prevea un dispositivo de protección y de corte de la alimentación en la parte delantera de la estación automática.

Nota: ya que las alimentaciones de corriente continua tienen una fuerte corriente de llamada, no es aconsejable utilizarlas en redes de corriente continua con una protección en la limitación de corriente de vuelta (fold back)

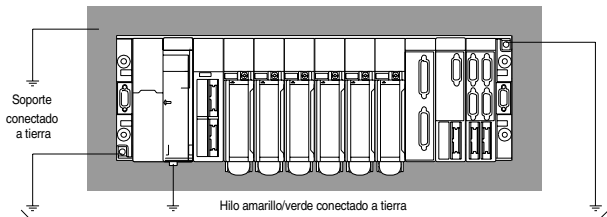


Alimentación para red de corriente alterna:
TSX PSY 2600/5500/8500

⚠ TSX PSY 5500/8500: colocar el selector de tensión según la tensión de la red disponible
110 o 220 VCA

Alimentación para red de corriente continua: TSX PSY 1610/3610/5520
(1) 24...48 VCC para la alimentación
TSX PSY 5520

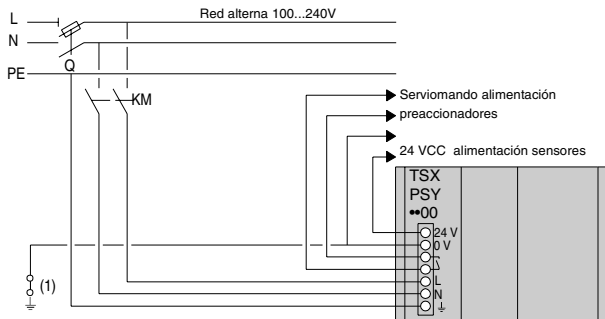
Puesta a tierra de los racks



Importante : El 0V interno está conectado a la masa. La masa tiene también que estar conectada a tierra.

Conexión de las alimentaciones

•Módulos TSX PSY 2600 / 5500 / 8500



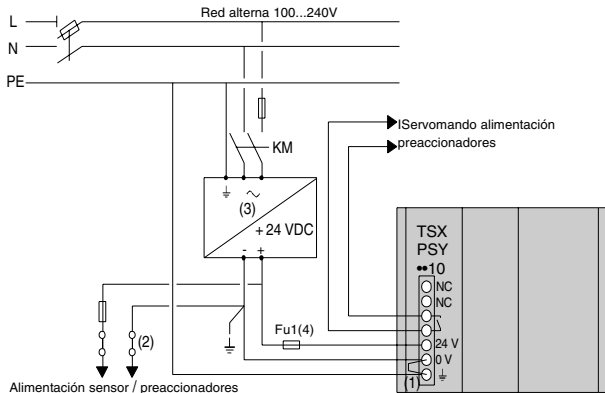
Q: Interruptor de desconexión general.

KM: Contactor de línea o disyuntor.

Estas alimentaciones están equipadas de origen con un fusible de protección en serie con la entrada L situado en el interior del módulo y al que no es posible acceder.

(1) regleta de aislamiento para búsqueda de un fallo de puesta a la masa.

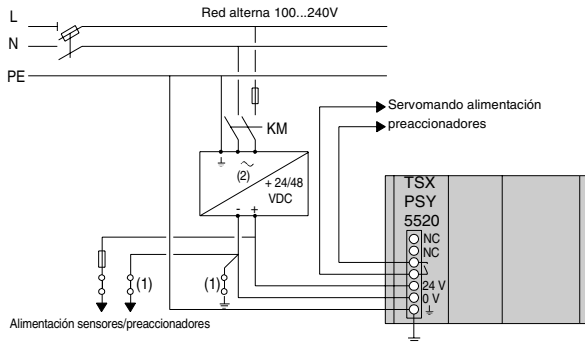
•Módulos de alimentación no aislados TSX PSY 1610 / 3610



Q: Interruptor de conexión general.
KM : Contactor de línea o disyuntor.

- (1) shunt externo entregado con el módulo de alimentación
- (2) regleta de aislamiento para búsqueda de un fallo de puesta a masa. Es necesario en este caso cortar la alimentación para desconectar la red de la masa.
- (3) posibilidad de utilizar una alimentación processTSX SUP 1●●1
- (4) fusible de protección externo (4 A, tipo temporizado) únicamente en módulo TSX PSY 3610. El módulo TSX PSY 1610 está equipado de serie con un fusible de protección (3,5A, 5x20, UL, tipo temporizado), situado debajo del módulo y en serie con la entrada 24V.

•Módulo de alimentación aislado TSX PSY 5520



Q: Interruptor de desconexión general.

KM :Contactor de línea o disyuntor.

(1) regleta de aislamiento para búsqueda de un fallo de puesta a masa

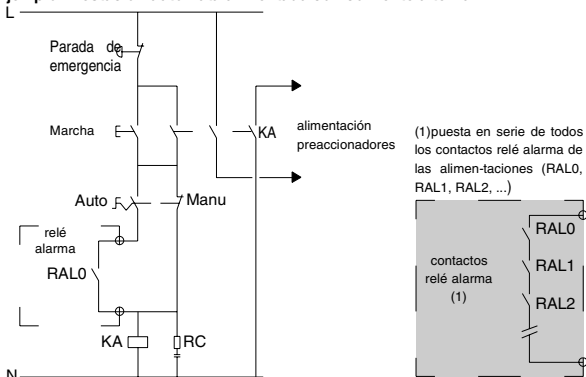
(2) posibilidad de utilizar una alimentación procesada TSX SUP 1●●1

El módulo TSX PSY 5520 está equipado de origen con un fusible de protección en serie con la entrada 24V situado en el interior del módulo y al que no es posible acceder.

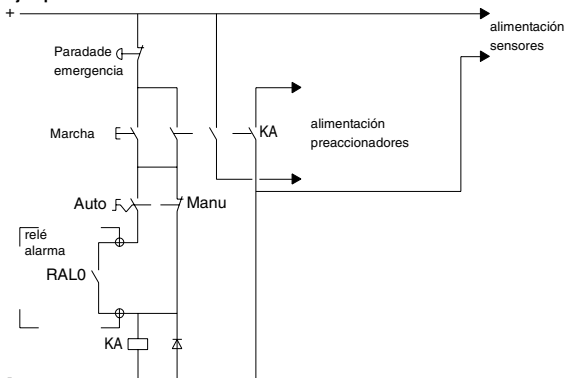
Conexión del relé alarma

Servomando de las alimentaciones de sensores y preaccionadores

• Ejemplo 1: estación automática alimentada con corriente alterna



• Ejemplo 2: estación automática alimentada con corriente continua



Presentación

Con el fin de responder lo mejor posible a las diversas necesidades de los usuarios, se propone una extensa gama de procesadores, rendimientos y capacidades.

Los procesadores TSX 57 pueden integrarse en racks TSX RKY**.

Los procesadores TSX gestionan el conjunto de una estación automática constituida de módulos de entradas/salidas TON, de módulos analógicos y de módulos de función específica (contaje, control de ejes, control paso a paso, comunicación, ...) que están repartidos en uno o varios racks conectados al Bus X.

Cada procesador incluye:

- Una memoria RAM interna guardada que puede recibir el programa de aplicación y que se puede ampliar con una tarjeta de extensión de memoria PCMCIA (RAM o FLASH EPROM)
- Un reloj calendario
- 2 tomas de terminal (TER y AUX) (exclusivamente TER para TSX P57 554/5634) que permiten conectar de manera simultánea varios equipos (terminal de programación, terminal de diálogo operador, ...)
- Un alojamiento para una tarjeta de comunicación PCMCIA (Modbus+, FIPWAY, FIPIO Agente, UNI-TELWAY, enlaces series)
- Un enlace FIPIO maestro en los TSX P57 •5• y TSX P57 •8•
- Un enlace Ethernet en los TSX P57 •23 y •34.
- Un enlace USB en los TSX P57 554/5634.

Según su referencia comercial, los procesadores Premium pueden configurarse y programarse con las herramientas de software PL7 o Unity Pro.

Generalmente, los procesadores cuya referencia comercial acaba en "3" se programan con PL7 y los que terminan en "4" utilizan Unity Pro. No obstante, algunos procesadores programados mediante PL7 pueden actualizarse para que puedan programarse con Unity Pro.

Unity Pro constituye una nueva generación de herramientas de software que ofrece servicios de programación y de utilización complementarios a PL7. Algunos de éstos son:

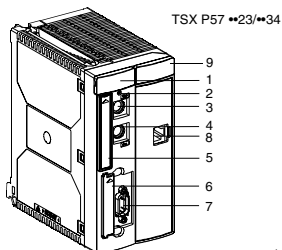
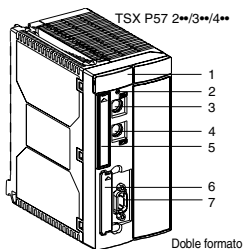
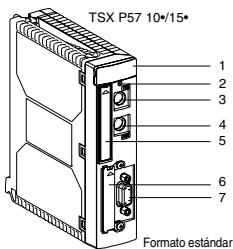
Un lenguaje suplementario: el diagrama en bloques de función (FBD).

La posibilidad de crear tipos de estructuras (DDT) imbricados entre sí.

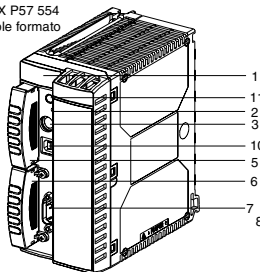
La posibilidad de imbricar los archivos DFB.

Finalmente, servicios adicionales de diagnóstico, como la investigación de las causas de un error dentro de la estructura lógica de los programas.

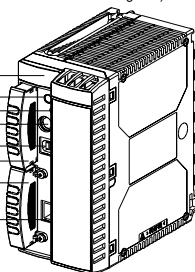
Descripción física



TSX P57 554
doble formato



TSX P57 5634 doble formato
(con enlace Ethernet integrado)



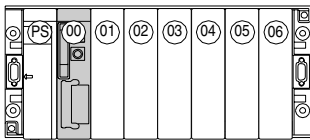
- 1 Bloque de visualización que incluye 4 o 5 indicadores dependiendo del modelo:
 - Indicadores RUN, ERR, E/S, TER en todos los procesadores
 - Indicador FIP en los procesadores equipado de un enlace FIPIO maestro integrado (TSX P57 •53 y TSX P57 •823)
- 2 Botón RESET activado mediante un instrumento de punta fina que provoca un arranque en frío del autómatas cuando se acciona.
 - Procesador en funcionamiento normal: arranque en frío en STOP o en RUN, dependiendo del procedimiento establecido en la configuración.
 - Fallo en el procesador: arranque forzado en STOP.
- 3 Toma terminal TER para conectar un periférico autoalimentado o no (terminal de programación o ajuste, consola de diálogo operador, impresora...).
- 4 Toma de diálogo operador AUX que permite conectar un periférico autoalimentado (terminal de programación o ajuste, consola de diálogo operador, impresora...).
- 5 Alojamiento para una tarjeta de memoria de formato PCMCIA tipo 1.
! En ausencia de la tarjeta de memoria, este alojamiento está equipado de un cache que se debe mantener obligatoriamente en su ubicación, ya que su extracción provocaría que el procesador se detuviese.
- 6 Alojamiento para tarjeta de comunicación de formato PCMCIA tipo 3 para conectar al procesador de una vía de comunicación. En ausencia de la tarjeta de comunicación, este alojamiento está equipado con un cache.
- 7 Conector SUB D 9 puntos para conectarlo al bus FIPIO maestro. Conector presente únicamente en los procesadores TSX P57 •53 y TSX P57 •823.
- 8 Conector RJ 45 para conectar a la red Ethernet. Este conector sólo está presente en los procesadores TSX P57 ••23, TSX P57 ••34 y TSX P57 554.
- 9 Bloque de visualización del ETY PORT que incluye 6 indicadores:
 - Indicadores RUN (verde), ERR (rojo), COL (rojo), STS (amarillo), TX (amarillo) y RX (amarillo).
- 10 Puerto USB Permite conectar un terminal de programación. Este conector sólo está presente en los procesadores TSX P57 554/5634.
- 11 Extraiga el botón de comando para el almacenaje de archivo de la tarjeta SRAM de PCMCIA. Este botón debe ser empujado hacia abajo antes de quitar la tarjeta. El estado del comando es indicado por un LED

Nota: De forma predeterminada, el conector TER y el conector AUX proponen la modalidad de comunicación Uni-Telway maestro a 19.200 baudios y mediante configuración la modalidad Uni-Telway esclavo o la modalidad de caracteres ASCII.

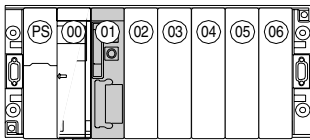
•Instalación de un módulo procesador de formato estándar

El módulo procesador TSX P57 con formato estándar se instala en un rack TSX RKY **, en posición 00 ó 01 en función del tipo de módulo de alimentación que se utilice (formato estándar o doble formato):

-Si el rack está equipado con un módulo de alimentación de formato estándar TSX PSY 1610/2600, el procesador se instala en posición 1610/2600, lel procesador se instala en posición 00 (posición preferente) o en posición 01, en este caso la posición 00 no está disponible.



-Si el rack está equipado con un módulo de alimentación de formato doble TSX PSY 3610/5500/5520, 8500, el procesador se instala en posición 01.

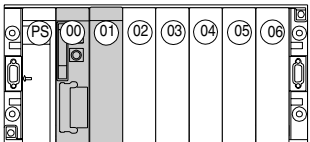


! El montaje del módulo procesador en el rack se debe realizar obligatoriamente con la alimentación del rack DESCONECTADA.

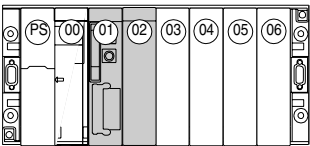
•Instalación de un módulo procesador de formato doble

El módulo procesador TSX P57 de formato doble se instala en un rack TSX RKY **, en posición 00 y 01 ó 01 y 02 en función del tipo de módulo de alimentación que se utilice (formato estándar o formato doble):

-Si el rack está equipado con un módulo de alimentación de formato estándar TSX PSY 1610/2600, el procesador se instala en posición 00 y 01 (posiciones preferentes) o en posición 01 y 02, en este último caso la posición 00 no está disponible.



-Si el rack está equipado con un módulo de alimentación de doble formato TSX PSY 3610/5500/5520, 8500, el procesador se instala en posición 01 y 02.



⚠ El montaje del módulo procesador en el rack se debe realizar obligatoriamente con la alimentación del rack IDESCONECTADA.

Para montar los módulos en el rack véanse las instrucciones de servicio de los racks.

Precauciones

⚠ Si se reemplaza un procesador TSX 57 por otro procesador que no sea virgen (procesador que ya se haya programado y que contenga una aplicación), es obligatorio cortar la alimentación previamente de todos los dispositivos de control de la estación automática. Antes de volver a conectar los dispositivos de control, asegúrese de que el procesador contenga la aplicación prevista.

⚠ Manipule los procesadores TSXP57 0244/1X4 con precaución, debido a la elevada temperatura (85 °C) de su radiador.

⚠ Para los procesadores TSX P57 0244/104/154, el módulo asignado al procesador no puede tener una pérdida de potencia superior a:

10 W para una temperatura ambiente de funcionamiento de 60 °C

16 W para una temperatura ambiente de funcionamiento de 25 °C

En caso contrario, deberá instalarse en otra ubicación del bastidor.

•Toma terminal y toma auxiliar

2 conectores mini-DIN de 8 puntos (enlace RS 485 no aislado) que permite conectar respectivamente:

-TER: un terminal de tipo FTX o compatible con PC o conectar el automático al bus UNI-TELWAY, a través de la caja de aislamiento TSX P ACC 01. Esta toma abastece de alimentación de 5 V para alimentar a los periféricos a los que está conectada,

-AUX: un terminal de diálogo operador o una impresora. Esta toma no abastece de alimentación de 5 V.

Por defecto, las tomas "TER y AUX" proponen el modo de comunicación UNI-TELWAY maestro a 19.200 baudios y, mediante configuración, el modo UNI-TELWAY esclavo o caracteres ASCII.

Los cables adaptados para estos conectores son los cables TSX PCX 1031 y TSX PCX 3030.

Puerto USB

Un conector de tipo serie "B" permite conectar un terminal de programación.

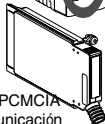
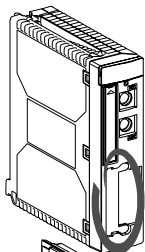
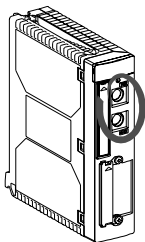
El conector USB utiliza el protocolo USB V1.1 a 12 Mbits/s. El cable de conexión es el cable XCA USB 033.

•Alojamiento para una tarjeta de comunicación PCMCIA

Este alojamiento de la parte frontal del procesador puede recibir una tarjeta de comunicación PCMCIA tipo 3:

- TSX SCP 111 : multiprotocolo RS 232 D,
- TSX SCP 112 : arjeta multiprotocolo de bucle de corriente 20 mA,
- TSX SCP 114 : multiprotocolo RS 485, compatible con RS 42 aislada,
- TSX MBP 100: Modbus +,
- TSX FPP 10 / 20 : FIPIO Agent / FIPWAY,
- TSX FPP 200 : FIPWAY,
- FCS SCP 111 : protocolo específico en el soporte RS 232,
- FCS SCP 114 : protocolo específico en el soporte RS 485,
- TSX CPP 100/110 : CAN OPEN.

⚠ La instalación/extracción de una tarjeta de comunicación se efectúa obligatoriamente con el procesador DESCONECTADO.



Tarjeta PCMCIA de comunicación

•Memoria RAM interna

Esta memoria recibe la aplicación (datos, programa y constantes), y su capacidad varía en función del tipo de procesador

Si el tamaño de la aplicación es superior al de la RAM, es posible ampliar la memoria mediante una tarjeta de extensión de memoria PCMCIA. En este caso, el programa y las constantes se almacenan en la tarjeta de extensión de memoria PCMCIA y los datos en la memoria RAM interna.

La memoria RAM interna se puede guardar mediante una pila opcional (TSX PLP 01), situada en el módulo de alimentación. **El guardado de la aplicación sólo es efectiva si los módulos de alimentación y el procesador permanecen colocados en el rack.** (Consulte la duración de guardado de la memoria RAM interna.)

(1) Cuando la aplicación se encuentra en RAM interna, la capacidad de la memoria se ve limitada a 96 Kpalabras.

Cuando la aplicación se encuentra en la tarjeta PCMCIA, la capacidad de la memoria RAM interna se coloca a 176 Kpalabras.

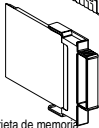
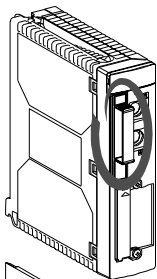
• Alojamiento para una tarjeta de extensión de memoria PCMCIA

Este alojamiento, situado en la parte frontal del procesador, permite recibir una tarjeta de memoria opcional al formato PCMCIA tipo 1. **En ausencia de tarjeta, es obligatorio mantener el cache en su ubicación.**

Se proponen 3 familias de tarjetas:

-**Tarjetas de memoria estándar:** Se proponen dos tipos:

- **RAM guardada** para las fases de creación y de puesta a punto del programa de aplicación. El guardado se realiza mediante una pila amovible incluida en la tarjeta,
- **FLASH EPROM** cuando el programa de aplicación es operativo (puesta a punto terminada),
- **Tarjeta de memoria de tipo BACKUP** para cargar el programa en RAM interna sin utilizar un terminal. Este tipo de tarjeta necesita que la carguen previamente con el programa de aplicación cuyo tamaño debe ser < de 32 Kpalabras.



Tarjeta de memoria

-Tarjetas de memoria de tipo aplicación + archivos

Además del área de almacenamiento de aplicación tradicional disponen:

- De un área de archivos para guardar datos por programa.
- De un área para guardar la base de símbolos de la aplicación. Dicha base de símbolos está comprimida para ocupar sin problemas el área que le ha sido asignada. Esta área sólo existe en determinadas tarjetas.

Se proponen dos tipos de tarjetas:

- Tarjeta de tipo RAM salvaguardada
- Tarjeta de tipo FLASH EPROM + RAM salvaguardada para almacenar los datos.

⚠ La instalación / extracción de una tarjeta de memoria puede realizarse en modo CONECTADO (provoca un arranque en frío). Para que sea operativa, una tarjeta de memoria deberá estar equipada con un prensor. Si el programa que incluye la tarjeta de memoria PCMCIA dispone de la opción RUN AUTO, el procesador arrancará de manera automática en RUN una vez que se haya insertado la tarjeta.

Referencia de las tarjetas de extensión de memoria PCMCIA de tipo estándar y backup (Tarjetas compatibles PL7) :

Referencias	Tipo	Capacidad	Compatibilidad de los procesadores TSX P57			
			P57 1*3	P57 2*3 P57 2*23	P57 3*3 P57 3623	P57 453 P57 4823
TSX MRP 032P	RAM	32 K16	Sí	Sí	Sí	Sí
TSX MRP 064P	RAM	64 K16	Sí	Sí	Sí	Sí
TSX MRP 0128P	RAM	128 K16	No	Sí	Sí	Sí
TSX MRP 0256P	RAM	256 K16	No	Sí	Sí	Sí
TSX MFP 032P	FLASH EPROM	32 K16	Sí	Sí	Sí	Sí
TSX MFP 064P	FLASH EPROM	64 K16	Sí	Sí	Sí	Sí
TSX MFP 0128P	FLASH EPROM	128 K16	No	Sí	Sí	Sí
TSX MFP BAK032P	RAM/Backup	32 K16	Sí	Sí	Sí	Sí

Referencia de las tarjetas de ampliación de memoria PCMCIA de tipo estándar y copia de seguridad (Tarjetas compatibles Unity Pro) :

Referencias	Tipo/ Capacidad	Datos	Capacidad de memoria máxima que gestionan los procesadores (K8 = kilo octets)					
			TSX 57 0244	TSX 57 1*4	TSX 57 2*4	TSX 57 3*4	TSX 57 4*4	TSX 57 5*4
TSX MRPP 128K	RAM/128K8	0	Limitada a 128K8	Totalidad	Totalidad	Totalidad	Totalidad	-
TSX MRPP 224K	RAM/224K8	0	Limitada a 128K8	Totalidad	Totalidad	Totalidad	Totalidad	-
TSX MRPP 384K	RAM/384K8	0	Limitada a 128K8	Limitada a 224K8	Totalidad	Totalidad	Totalidad	-
TSX MFPP 128K	FLASH EPROM/128K8	0	Limitada a 128K8	Totalidad	Totalidad	Totalidad	Totalidad	-
TSX MFPP 224K	FLASH EPROM /224K8	0	Limitada a 128K8	Totalidad	Totalidad	Totalidad	Totalidad	-
TSX MFPP 384K	FLASH EPROM/ 384K8	0	Limitada a 128K8	Limitée à 224K8	Totalidad	Totalidad	Totalidad	-

TSX MFPP 512K	FLASH EPROM/ 512K8	0	Limitada a 128K8	Limitada a 224K8	Totalidad	Totalidad	Totalidad	Totalidad
TSX MFPP 001M	FLASH EPROM/ 1024K8	0	Limitada a 128K8	Limitada a 224K8	Limitada a 768K8	Totalidad	Totalidad	Totalidad
TSX MFPP 002M	FLASH EPROM/ 2048K8	0	-	Limitada a 224K8	Limitada a 768K8	Totalidad	Totalidad	Totalidad
TSX MFPP 004M	FLASH EPROM/ 4096K8	0	-	Limitada a 768K8	Limitada a 1792K8	Limitada a 2048K8	Totalidad	Totalidad
TSX MFP B 096K	RAM/Backup	96 K8	Limitada a 96K8	Totalidad	Totalidad	Totalidad	Totalidad	Totalidad

Nota: Todas las tarjetas PCMCIA pueden insertarse en cualquier procesador, excepto en los procesadores TSX P57 554/5634, que no admiten las tarjetas de poca capacidad TSX MRPP128/224/384K y TSX MFPP128/224/384K .

El tamaño de la aplicación que puede utilizarse dependerá de las características del procesador.

Referencia de las tarjetas de memoria de tipo aplicación + archivos o símbolos (Tarjetas compatibles PL7) :

Referencias	Tipo/capacidad			Compatibilidad de los procesadores TSX P57			
	Área de aplicación	Campo archivos (RAM)	Campo símbolos (RAM)	P57 1*3	P57 2*3 P57 2*23	P57 3*3 P57 3623	P57 453 P57 4823
TSX MRP 232P	RAM/32 K16	128 K16	-	Sí	Sí	Sí	Sí
TSX MRP 264P	RAM/64 K16	128 K16	-	Sí	Sí	Sí	Sí
TSX MRP 2128P	RAM/128 K16	128 K16	128 K16	No	Sí	Sí	Sí
TSX MRP 3256P	RAM/256 K16	640 K16	128 K16	No	Sí	Sí	Sí
TSX MRP 3384P	RAM/384 K16	640 K16	-	No	Sí	Sí	Sí
TSX MRP 0512P	RAM/512 K16	-	256 K16	No	Sí	Sí	Sí
TSX MRPC007M	RAM/960K16	384 K16	640 K16	No	No	No	Sí (*)
TSX MFP 232P	FLASH/ EPROM 32 K16	128 K16	-	Sí	Sí	Sí	Sí
TSX MFP 232P	FLASH/ EPROM 32 K16	128 K16	-	Sí	Sí	Sí	Sí

(*) Uso reservado

! Para TSX MRPC 007M, la zona de aplicación de 960K16 se distribuye en 2*480K16:

- 1 480K16 para el código ejecutable y
- 1 480K16 para los comentarios e información gráfica.

Referencia de las tarjetas de ampliación de memoria de tipo aplicación + archivos (Tarjetas compatibles Unity Pro) :

Referencias	Tipo	Capacidad		Capacidad de memoria máxima que gestionan los procesadores (K8 = kilo octets) (1)					
	Tipo	Appl.	Datos	TSX 57 0244	TSX 57 1•4	TSX 57 2•4	TSX 57 3•4	TSX 57 4•4	TSX 57 5•4
TSX MRPC 448K (2)	RAM	448K8	448K8	-	Limitada a 224/ 256K	Totalidad	Totalidad	Totalidad	-
		96 a 448K8	0 a 352K8						
TSX MRPC 768K (2)	RAM	768K8	768K8	-	Limitada a 224/ 256K	Totalidad	Totalidad	Totalidad	Totalidad
		192 a 768K8	0 a 576K8						
TSX MRPC 001M (2)	RAM	1024K8	1024K8	-	Limitada a 224/ 256K	Limitada a 768/ 832K	Totalidad	Totalidad	Totalidad
		192 a 1024K8	0 a 832K8						
TSX MRPC 001M7 (2)	RAM	1024K8	1024K8	-	Limitada a 224/ 256K	Limitada a 768/ 832K	Totalidad	Totalidad	Totalidad
		192 a 1024K8	0 a 832K8						
TSX MRPC 002M (2)	RAM	2048K8	2048K8	-	Limitada a 224/ 256K	Limitada a 768/ 2880K	Limitada a 1792/ 2880K	Totalidad	Totalidad
		192 a 2048K8	0 a 1856K8						
TSX MRPC 003M (2)	RAM	3072K8	3072K8	-	Limitada a 224/ 256K	Limitada a 768/ 2880K	Limitada a 1792/ 2880K	Limitada a 2048/ 2880K	Totalité
		192 a 3072K8	0 a 2880K8						
TSX MRPC 007M (2)	RAM	7168K8	7168K8	-	Limitada a 224/ 256K	Limitada a 768/ 2880K	Limitada a 1792/ 2880K	Limitada a 2048/ 6976K	Limitada a 4096/ 6976K
		192 a 7168K8	0 a 6976K8						
TSX MCPC 224K	Flash EPROM	224K8	256K8	Limitada a 128/ 256K	Totalidad	Totalidad	Totalidad	Totalidad	-
TSX MCPC 512K	Flash EPROM	512K8	512K8	Limitada a 128/ 256K	Limitada a 224/ 256K	Totalidad	Totalidad	Totalidad	Totalidad
TSX MCPC 002M	Flash EPROM	2048K8	1024K8	Limitada a 128/ 256K	Limitada a 224/ 256K	Limitada a 768/ 1024K	Limitada a 1792/ 1024K	Totalidad	Totalidad

1) notación de los límites: el primer número menciona el límite del área de aplicación y el segundo el límite del área de datos, por ejemplo: limitada a 224/256 K significa área de aplicación limitada a 224 Kb y área de datos limitada a 256 Kb.

(2) PCMCIA con áreas de memoria de aplicación y ficheros de capacidad flotante y no inmovilizada.

Todas las tarjetas PCMCIA pueden insertarse en cualquier procesador, excepto en los procesadores TSX P57 554/5634, que no admiten las tarjetas de poca capacidad TSX MCPC224K y TSX MRPC 448K.. El tamaño de la aplicación que puede utilizarse dependerá de las características del procesador.

Referencia de las tarjetas de memoria de tipo archivo (tarjetas compatibles PL7):

Referencias	Tipo/capacidad	Compatibilidad de los procesadores TSX P57		
	Área de fich. (RAM)	P57 2*3 P57 2*23	P57 3*3 P57 3623	P57 453 P57 4823
TSX MRP DS 2048 P	2048 K16	Sí	Sí	Sí

Referencia de las tarjetas de memoria de tipo archivo

Referencias	Tipo	Capacidad		Capacidad de memoria máxima que gestionan los procesadores (K8 = kilo octets)				
		Apli.	Área de fich. (RAM)	TSX 57 0244/1*4	TSX 57 2*4	TSX 57 3*4	TSX 57 4*4	TSX 57 5*4
TSX MRPF 004M	RAM	0	4096K8	-	4096K8	4096K8	4096K8	4096K8
TSX MRPF 008M	RAM	0	8192K8	-	8192K8	8192K8	8192K8	8192K8

Todas las tarjetas PCMCIA se pueden insertar en cualquier procesador, excepto en los procesadores TSX P57 0244 y 1*4.

•Botón RESET

Al pulsar el botón pulsador de punta de lápiz, se provoca un arranque en frío de la aplicación:

- Procesador en funcionamiento: arranque en STOP o en RUN según la configuración
- Procesador en fallo: arranque forzado en STOP

•Función RUN / STOP

Permite ejecutar o detener el programa de aplicación, desde un terminal de programación o una entrada TON definida en la configuración. La puesta en STOP desde esta entrada física es prioritaria con respecto a la puesta en RUN desde un terminal.

•Reloj calendario

El reloj calendario integrado en el procesador muestra la fecha y la hora actual así como la fecha y la hora de la última parada de la aplicación. Dicha gestión se efectúa incluso cuando el procesador está desconectado, a condición de que esté montado sobre el rack con el módulo de alimentación equipado con una pila de seguridad.

⚠ Si se desmonta el procesador se perderá la fecha y la hora al cabo de un tiempo dado.

•Duración de salvaguarda de la RAM interna y del reloj calendario

-Duración de salvaguarda mediante la pila

Temperatura ambiente cuando no está en funcionamiento		≤30°C	40°C	50°C	60°C
Tiempo de guardado	Autómata desconectado 12 Horas/día	5 años	3 años	2 años	1 años
	Autómata desconectado 1 Hora/día	5 años	5 años	4.5 años	4 años

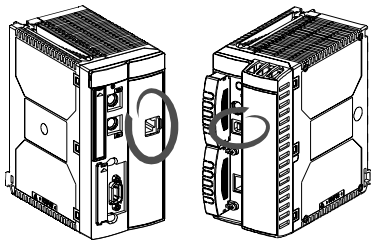
-Autonomía de guardado durante el cambio de la pila (autómata desconectado) o desmontaje del módulo de alimentación o del procesador. El tiempo de intervención está limitado. Pasado cierto período de tiempo los datos en la memoria RAM podrían perderse.

Temperatura ambiente durante la desconexión	20°C	30°C	40°C	50°C
Tiempo de guardado	2h	45mn	20mn	8mn

•Enlace Ethernet en TSX P57 **23/**34

Algunos procesadores disponen de un enlace Ethernet integrado, que permite gestionar 64 conexiones TCP utilizando el servicio de mensajería puerto 502, que escruta 64 equipos como máximo utilizando el servicio de Exploración de E/S.

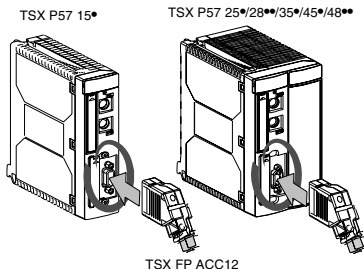
Una toma RJ45 situada en la segunda parte del módulo permite realizar la conexión a la red Ethernet.



•Enlace FIPIO maestro en TSX P57 •5• y TSX P57 •8••

Algunos procesadores disponen de un enlace FIPIO maestro integrado, que permite gestionar un bus FIPIO al que se pueden conectar de 1 a 127 equipos, tales como:

- Módulos de E/S remotas de tipo Momentum y TBX (TON y analógicas),
- Consolas de control de tipo CCX 17,
- Variadores de velocidad de tipo ATV58,
- Equipos conformes con los perfiles estándares, ...



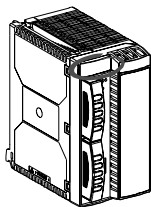
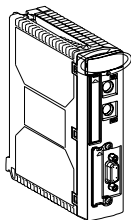
Un conector SUB D 9 patillas colocado en el panel frontal permite la conexión con el bus FIPIO mediante un conector TSX FP ACC12.

Nota: La instalación completa de un bus FIPIO (tipo de arquitectura, tipo de cable que se debe utilizar, accesorios de cableado...) se detalla en el manual de referencia del bus FIPIO.

Diagnóstico a partir de los indicadores de visualización

4 a 7 indicadores en función del tipo de procesador, situados en la parte frontal, lo que permite un diagnóstico rápido sobre el estado del autómatas :

- **RUN** (verde): estado de la aplicación (**encendido**: funciona-normales; **intermitente**: autómatas en STOP o en estado de fallo de software bloqueante; **apagado**: autómatas no configurados, aplicación ausente, no válida, incompatible con el tipo de procesador o autómatas, en error, fallo del procesador o del sistema),
- **ERR** (rojo): fallos del procesador de la tarjeta de memoria o de la tarjeta de comunicación PCMCIA (**encendido**: autómatas en error, fallo del procesador o fallo del sistema; **intermitente**: autómatas no configurados, aplicación ausente, no válida o incompatible con el tipo de procesador, autómatas en fallo de programa bloqueante, fallo de pila de la tarjeta de memoria, fallo del bus X (1); **apagado**: funcionamiento normal),
- **E/S** (rojo): fallos de E/S (**encendido**: fallo entradas/salidas, procedente de un módulo o de una vía o fallo de configuración, **intermitente**: fallo del bus X (1); **apagado**: funcionamiento normal),
- **TER** (amarillo): señala la actividad en la toma terminal (**intermitente**: intercambio efectuándose en la toma terminal)
- **FIP** (amarillo): exclusivamente en los procesadores TSX P57 •5• y TSX P57 •8•, muestra la actividad del bus FIPIO (**intermitente**: intercambios efectuándose en el bus FIPIO).
- **STS** (amarillo): exclusivazmente en los procesadores TSX P57 5634.
- **ACT** (amarillo): exclusivazmente en los procesadores TSX P57 5634.



(1) Aparece un fallo del bus X mediante un parpadeo simultáneo de los indicadores ERR y E/S.

Características

• Características generales de los procesadores TSX 57 (tarjetas compatibles PL7)

Procesadores TSX P57	103	153	203/ 2623	253/ 2823	
Características máximas de la estación					
Racks TSX RKY 12EX	2	2	8	8	
Racks TSX RKY 4EX/6EX/8EX	4	4	16	16	
Alojamientos de los módulos (1)	21[27]	21[27]	87[111]	87[111]	
E/S TOR en rack sur bus X	512	512	1024	1024	
E/S analógicas en un bus X	24	24	80	80	
Vías de función específica en un bus X (2)	8	8	24	24	
Número de bucles de regulación	0	0	30	30	
Número de vías de regulación	0	0	10	10	
Conexión UNI-TELWAY (toma terminal)	1	1	1	1	
Conexión de red (3) (FIPWAY, ETHWAY/TCP/IP, Modbus +, Ethernet)	1	1	1	1	
Conexión FIPIO maestro integrado	-	63	-	127	
Conexión bus de tercer terreno (INTERBUS-S, ...) (4)	0	0	1	1	
Conexión de bus de terreno AS-i	2	2	4	4	
Funciones					
Reloj calendario que se puede guardar	Sí	Sí	Sí	Sí	
Memoria					
RAM interna (5)	(K16)	32	32	48	64
Extensión máxima de memoria	(K16)	64	64	160	160
Memoria máxima	(K16)	96	96	208	224
Estructura de aplicación					
Tarea servidor	1	1	1	1	
Tarea rápida	1	1	1	1	
Tratamiento sobre sucesos (donde 1 tiene prioridad)	32	32	64	64	
Tiempo de ejecución para 1K instrucciones (6)					
RAM interna	0.95	0.95	0.28	0.28	
Tarjeta PCMCIA	1.18	1.18	0.40	0.40	
Software de programación (7)	PL7 Junior/PL7 Pro (Windows NT/2000/XP)				
Lenguajes	Ladder, Grafcet, Literal estructurado, List				

- (1) Con módulos de formato estándar, salvo el módulo de alimentación y el procesador.
21 alojamientos con 2 racks TSX RKY 12EX, 27 alojamientos con 4 racks TSX RKY 8EX, 87 alojamientos con 8 racks TSX RKY 12EX, 111 alojamientos con 16 racks TSX RKY 8EX.
- (2) Vías de función específica = vías de contaje, control de ejes, control paso a paso, comunicación, ... Consulte la definición y la contabilización de las diferentes vías de función específica.)
- (3) El enlace Ethernet integrado de los TSX P57 ••23 está incluido en el número de conexión de red.
- (4) INTERBUS-S, PROFIBUS-DP.
- (5) Se puede guardar por pila situada en el módulo de alimentación.
- (6) 65% Booleano/35% Numérico.
- (7) PL7 ≥ V4.3 para los procesadores TSX P57 ••23

Características generales de los procesadores TSX 57 (continuación)

Procesadores TSX P57	303/ 3623	353	453/ 4823
Características máximas de la estación			
Racks TSX RKY 12EX	8	8	8
Racks TSX RKY 4EX/6EX/8EX	16	16	16
Alojamientos de los módulos (1)	87[111]	87[111]	87[111]
E/S TON en rack en un bus X	1024	1024	2048
E/S analógicas en un bus X	128	128	256
Vías de función específica en un bus X (2)	32	32	64
Número de bucles de regulación	45	45	60
Número de vías de regulación	15	15	20
Conexión UNI-TELWAY (toma terminal)	2	2	2
Conexión de red (3) (FIPWAY, ETHWAY/TCP/IP, Modbus +, Ethernet)	3	3	4
Conexión FIPIO maestro integrado	-	127	127
Conexión de bus de terreno tercero (INTERBUS-S, ...) (4)	2	2	2
Conexión de bus de terreno AS-i	8	8	8
Funciones			
Reloj calendario que se puede guardar	oui	oui	oui
Memoria			
RAM interna (5) (K16)	64/80	80/96	96/176
Extensión máxima de memoria (K16)	384	384	512
Memoria máxima (K16)	464	480	688
Estructura de aplicación			
Tarea servidor	1	1	1
Tarea rápida	1	1	1
Tratamiento sobre sucesos (donde 1 tiene prioridad)	64	64	64
Tiempo de ejecución para 1K instrucciones (6)			
RAM interna	0.21	0.21	0.11
Tarjeta PCMCIA	0.32	0.32	0.11
Software de programación (7)	PL7 Junior/PL7 Pro (bajo Windows NT/2000/XP)		
Lenguajes	Ladder, Grafcet, Literal estructurado, List		

- (1) Con módulos de formato estándar, salvo el módulo de alimentación y el procesador.
21 alojamientos con 2 racks TSX RKY 12EX, 27 alojamientos con 4 racks TSX RKY 8EX, 87 alojamientos con 8 racks TSX RKY 12EX, 111 alojamientos con 16 racks TSX RKY 8EX.
- (2) Vías de función específica = vías de contaje, control de ejes, control paso a paso, comunicación, ... Consulte la definición y la contabilización de las diferentes vías de función específica.)
- (3) El enlace Ethernet integrado de los TSX P57 ••23 está incluido en el número de conexión de red.
- (4) INTERBUS-S, PROFIBUS-DP.
- (5) Se puede guardar por pila situada en el módulo de alimentación.
En TSX P57 453: si la aplicación está en RAM interna, la capacidad de la memoria = 96 Kpalabras; si la aplicación está en tarjeta PCMCIA, la capacidad de la memoria RAM interna = 176 Kpalabras.
- (6) 65% Booleano/35% Numérico.
- (7) PL7 ≥ V4.3 para los procesadores TSX P57 ••23.

Características generales de los procesadores TSX 57 "Tarjetas compatibles Unity Pro"

TSX P57	104	154	204	254
Características máximas de la estación				
Bastidores TSX RKY 12EX	2	2	8	8
Bastidores TSX RKY 4EX/6EX/8EX	4	4	16	16
Emplazamientos de los módulos (1)	21	21	87	87
E/S TON en bastidor del bus	512	512	1024	1024
E/S analógicas en un bus X	24	24	80	80
Canales de función específica en un bus X (2)	8	8	24	24
Número de bucles de regulación	-	-	30	30
Número de canales de regulación	-	-	10	10
Conexión UNI-TELWAY (puerto de terminal)	1	1	1	1
Conexión de red (3) (FIPWAY, ETHWAY/TCP/IP, Modbus +, Ethernet)	1	1	1	1
Conexión Fipio maestro (integrada) nº de equipos	-	63	-	127
Conexión de bus de campo de terceros (INTERBUS-S, ...)	-	-	1	1
Conexión de bus de campo AS-i	2	2	4	4
Funciones				
Reloj-calendario que se puede guardar	Sí	Sí	Sí	Sí
Memoria				
RAM interna (4) (K8)	96	96	160	192
Tarjeta PCMCIA (máx.) (K8)	224	224	768	768
Estructura de la aplicación				
Tarea maestra	1	1	1	1
Tarea rápida	1	1	1	1
Tratamiento por sucesos (de los cuales 1 tiene prioridad)	32	32	64	64
Velocidad de ejecución (Kins/ms)				
RAM interna (100% booleano)	(5)	(5)	4,76	4,76
RAM interna (65% booleano+ 35% numérico)	(5)	(5)	3,57	3,57
Tarjeta PCMCIA (100% booleano)	(5)	(5)	3,70	3,70
Tarjeta PCMCIA (65% booleano+ 35% numérico)	(5)	(5)	2,50	2,50
Saturación del sistema				
Tarea MAST				
Sin utilización del bus Fipio	(5)	(5)	1 ms	(5)
Con utilización del bus Fipio	-	(5)	-	(5)
Tarea FAST	(5)	(5)	0,30 ms	(5)

(1) Con módulos de formato estándar, salvo el módulo de alimentación y el procesador.

21 emplazamientos con 2 bastidores TSX RKY 12EX, 27 emplazamientos con 4 bastidores TSX RKY 8EX,

87 emplazamientos con 8 bastidores TSX RKY 12EX, 111 emplazamientos con 16 bastidores TSX RKY8EX.

(2) Canales de función específica = canales de conteo, control de ejes, control paso a paso, comunicación...

(3) La conexión Ethernet integrada de los TSX P57 2634/2834/3634/4834/5634 está incluida en el número de conexiones de red.

(4) Se puede guardar mediante la pila situada en el módulo de alimentación.

Características generales de los procesadores TSX 57 "Tarjetas compatibles Unity Pro"(continuación)

TSX P57	254	2634	304	354
Características máximas de la estación				
Bastidores TSX RKY 12EX	8	8	8	8
Bastidores TSX RKY 4EX/6EX/8EX	16	16	16	16
Emplazamientos de los módulos (1)	87	87	87	87
E/S TON en bastidor del bus X	1024	1024	1024	1024
E/S analógicas en un bus X	80	80	128	80
Canales de función específica en un bus X (2)	24	24	32	32
Número de bucles de regulación	30	30	45	45
Número de canales de regulación	10	10	15	15
Conexión UNI-TELWAY (puerto de terminal)	1	1	1	1
Conexión de red (3) (FIPWAY, ETHWAY/TCP/IP, Modbus +, Ethernet)	1	1	3	3
Conexión Fipio maestro (integrada) nº de equipos	127	-	-	127
Conexión Ethernet (integrada)	1	1	-	-
Conexión de bus de campo de terceros (INTERBUS-S, ...)	1	1	3	3
Conexión de bus de campo AS-i		8	8	8
Funciones				
Reloj-calendario que se puede guardar		Sí	Sí	Sí
Memoria				
RAM interna (4) (K8)	768	160	192	170
Tarjeta PCMCIA (máx.) (K8)		768	1792	1024
Estructura de la aplicación				
Tarea maestra	1	1	1	1
area rápida	64	1	1	1
Tratamiento por sucesos (de los cuales 1 tiene prioridad)		64	64	64
Velocidad de ejecución (Kins/ms)				
RAM interna (100% booleano)	3,5	4,76	6,67	6,67
RAM interna (65% booleano + 35% numérico)	3,70	3,57	4,76	4,76
Tarjeta PCMCIA (100% booleano)	2,5	3,70	4,55	4,55
Tarjeta PCMCIA (65% booleano + 35% numérico)	2,50	2,50	3,13	3,13
Saturación del sistema				
Tarea MAST	1 ms			
Sin utilización del bus Fipio	1 ms	1 ms	1 ms	1 ms
Tarea FAST	0,35 ms	0,30 ms	0,35 ms	0,35 ms

- (1) Con módulos de formato estándar, salvo el módulo de alimentación y el procesador.
21 emplazamientos con 2 bastidores TSX RKY 12EX, 27 emplazamientos con 4 bastidores TSX RKY 8EX,
87 emplazamientos con 8 bastidores TSX RKY 12EX, 111 emplazamientos con 16 bastidores TSX RKY8EX.
- (2) Canales de función específica = canales de conteo, control de ejes, control paso a paso, comunicación...
- (3) La conexión Ethernet integrada de los TSX P57 2634/2834/3634/4834/5634 está incluida en el número de conexiones de red.
- (4) Se puede guardar mediante la pila situada en el módulo de alimentación.

Características generales de los procesadores TSX 57 "Tarjetas compatibles Unity Pro"(continuación)

TSX P57	3634	454	4634
Características máximas de la estación			
Bastidores TSX RKY 12EX	8	8	8
Bastidores TSX RKY 4EX/6EX/8EX	16	16	16
Emplazamientos de los módulos (1)	87	87	87
E/S TON en bastidor del bus X	1024	2048	2048
E/S analógicas en un bus X	128	256	256
Canales de función específica en un bus X (2)	32	48	64
Número de bucles de regulación	45	60	60
Número de canales de regulación	15	20	20
Conexión UNI-TELWAY (puerto de terminal)	1	1	1
Conexión de red (3) (FIPWAY, ETHWAY/TCP/IP, Modbus +, Ethernet)	3	4	4
Conexión Fipio maestro (integrada) nº de equipos	-	127	-
Conexión Ethernet (integrada)	1	-	1
Conexión de bus de campo de terceros (INTERBUS-S, ...)	3	4	4
Conexión de bus de campo AS-i	8	8	8
Funciones			
Reloj-calendario que se puede guardar	Si	Si	Si
Memoria			
RAM interna (4) (K8)	192	320	320/440 (5)
Tarjeta PCMCIA (máx.) (K8)	1792	2048	2048
Estructura de la aplicación			
Tarea maestra	1	1	1
Tarea rápida	1	1	1
Tratamiento por sucesos (de los cuales 1 tiene prioridad)	64	64	64
Velocidad de ejecución (Kins/ms)			
RAM interna (100% booleano)	6,67	15,5	15,5
RAM interna (65% booleano + 35% numérico)	4,76	11,4	11,4
Tarjeta PCMCIA (100% booleano)	4,55	15,5	15,5
Tarjeta PCMCIA (65% booleano + 35% numérico)	3,13	11,4	11,4
Saturación del sistema			
Tarea MAST			
Sin utilización del bus Fipio	1 ms	1 ms	1 ms
Tarea FAST	0,35 ms	0,08 ms	0,08 ms

- (1) Con módulos de formato estándar, salvo el módulo de alimentación y el procesador.
21 emplazamientos con 2 bastidores TSX RKY 12EX, 27 emplazamientos con 4 bastidores TSX RKY 8EX,
87 emplazamientos con 8 bastidores TSX RKY 12EX, 111 emplazamientos con 16 bastidores TSX RKY8EX.
- (2) Canales de función específica = canales de conteo, control de ejes, control paso a paso, comunicación...
- (3) La conexión Ethernet integrada de los TSX P57 2634/2834/3634/4834/5634 está incluida en el número de conexiones de red.
- (4) Se puede guardar mediante la pila situada en el módulo de alimentación.
- (5) 1ª cifra cuando la aplicación está en RAM interna, 2ª cifra cuando la aplicación se encuentra en la tarjeta de memoria.

Características generales de los procesadores TSX 57 "Tarjetas compatibles Unity Pro"
(continuación)

TSX P57	554	5634
Características máximas de la estación		
Bastidores TSX RKY 12EX	8	8
Bastidores TSX RKY 4EX/6EX/8EX	16	16
Emplazamientos de los módulos (1)	87	87
E/S TON en bastidor del bus X	2040	2040
E/S analógicas en un bus X	512	512
Canales de función específica en un bus X (2)	64	64
Número de bucles de regulación	90	90
Número de canales de regulación	30	30
Conexión UNI-TELWAY (puerto de terminal)	1	1
Conexión de red (3)		
(FIPWAY, ETHWAY/TCP/IP, Modbus +, Ethernet)	4	5
Conexión Fipio maestro (integrada) n° de equipos	127	-
Conexión Ethernet (integrada)	-	1
Conexión de bus de campo de terceros (INTERBUS-S, ...)	2	2
Conexión de bus de campo AS-i	8	8
Funciones		
Reloj-calendario que se puede guardar	Sí	Sí
Memoria		
RAM interna (4)	(K8)	640/896 (5)
Tarjeta PCMCIA (máx.)	(K8)	4096
Estructura de la aplicación		
Tarea maestra	1	1
Tarea rápida	1	1
Tarea auxiliar	4	4
Tratamiento por sucesos (de los cuales 1 tiene prioridad)	128	128
Velocidad de ejecución (Kins/ms)		
RAM interna (100% booleano)	19,80	19,80
RAM interna (65% booleano + 35% numérico)	14,20	14,20
Tarjeta PCMCIA (100% booleano)	19,80	19,80
Tarjeta PCMCIA (65% booleano + 35% numérico)	14,20	14,20
Saturación del sistema		
Tarea MAST	1 ms	1 ms
Tarea FAST	0,07 ms	0,07 ms

- (1) Con módulos de formato estándar, salvo el módulo de alimentación y el procesador.
21 emplazamientos con 2 bastidores TSX RKY 12EX, 27 emplazamientos con 4 bastidores TSX RKY 8EX,
87 emplazamientos con 8 bastidores TSX RKY 12EX, 111 emplazamientos con 16 bastidores TSX RKY8EX.
- (2) Canales de función específica = canales de conteo, control de ejes, control paso a paso, comunicación...
- (3) La conexión Ethernet integrada de los TSX P57 2634/2834/3634/4834/5634 está incluida en el número de conexiones de red.
- (4) Se puede guardar mediante la pila situada en el módulo de alimentación.
- (5) 1ª cifra cuando la aplicación está en RAM interna, 2ª cifra cuando la aplicación se encuentra en la tarjeta de memoria.

•Características eléctricas

Capacidad	Consumo en 5 VDC del módulo de alimentación TSX PSY • en mA		Potencia disipada en Watt	
	Típica	Máxima	Típica	Máxima
TSX P57 0244	750	1050	3.7	5.2
TSX P57 10•	750	1050	3.7	5.2
TSX P57 15•	1550	1160	4.1	5.8
TSX P57 20•	830	2170	7.7	10.8
TSX P57 26••	750	1050	3.7	5.2
TSX P57 25•	1550	1160	4.1	5.8
TSX P57 28••	830	2170	7.7	10.8
TSX P57 30•	1000	1400	5	7
TSX P57 36••	1800	1510	5.4	7.5
TSX P57 35•	1080	2520	9	12.6
TSX P57 45•	1580	2210	7.9	11
TSX P57 48••	1780	2490	8.9	12.5
TSX P57 554	1580	2210	7.9	11
TSX P57 5634	1780 mA	2490 mA	8.9 W	12.5W

• Contabilización de las vías de función específica

Función específica		Módulo/tarjeta	Vía función específica	Número
Contaje		TSX CTY 2A	Sí	2
		TSX CTY 2C	Sí	2
		TSX CTY 4A	Sí	4
		TSX CCY 1128	Sí	1
Control de movimiento	Eje	TSX CAY 21/22	Sí	2
		TSX CAY 41/ 42	Sí	4
		TSX CAY 33	Sí	3
		TSX CAY 84	Sí	32 (1)
	Paso a paso	TSX CFY 11	Sí	1
		TSX CFY 21	Sí	2
Pesaje		TSX ISP Y100/101	Sí	2
Comunicación	Enlace serie	TSX SCP 11••(en el procesador)	No	0 (2)
		TSX SCP 11•• (dans le TSX SCY 21601)	Sí	1
		TSX JNP 11•• (dans le TSX SCY 21601)	Sí	1
		TSX SCY 21601(en el procesador)	Sí	1
	FIPIO Agente	TSX FPP 10 (dans le processeur)	No	0 (2)
	FIPIO Maestro	integrado en el procesador	No	0 (2)
	Módem	TSX MDM 10	Sí	1

Nota: Sólo tienen que tenerse en cuenta las vías de función configuradas.

(1) 1 vía como mínimo.

(2) Vías que no se deben tomar en cuenta para el cálculo del número máximo de vías función soportadas por el procesador.

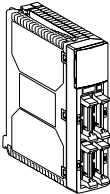
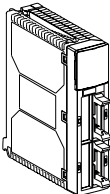
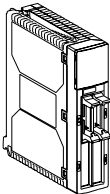
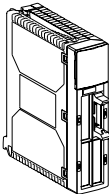
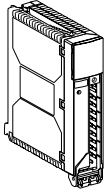
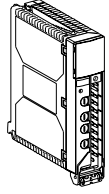
Referencias	Tipo	Capacidad	Compatibilidad de los procesadores TSX P57			
			P57 1•3	P57 2•3 P57 2•23	P57 3•3 P57 3623	P57 453 P57 4823
TSX MRP 032P	RAM	32 K16	Sí	Sí	Sí	Sí
TSX MRP 064P	RAM	64 K16	Sí	Sí	Sí	Sí
TSX MRP 0128P	RAM	128 K16	No	Sí	Sí	Sí
TSX MRP 0256P	RAM	256 K16	No	Sí	Sí	Sí
TSX MFP 032P	FLASH EPROM	32 K16	Sí	Sí	Sí	Sí
TSX MFP 064P	FLASH EPROM	64 K16	Sí	Sí	Sí	Sí
TSX MFP 0128P	FLASH EPROM	128 K16	No	Sí	Sí	Sí
TSX MFP BAK032P	RAM/Backup	32 K16	Sí	Sí	Sí	Sí

Referencia de las tarjetas de ampliación de memoria de tipo aplicación + ficheros (Tarjetas compatibles Unity Pro) :

Referencias	Tipo/ Capacidad	Data	Compatibilidad de los procesadores (K8 = kilo bytes)					
			TSX 57 0244	TSX 57 1•4	TSX 57 2•4	TSX 57 3•4	TSX 57 4•4	TSX 57 5•4
TSX MRPP 128K	RAM/128K8	0	Limitada a 128K8	Total	Total	Total	Total	-
TSX MRPP 224K	RAM/224K8	0	Limitada a 128K8	Total	Total	Total	Total	-
TSX MRPP 384K	RAM/384K8	0	Limitada a 128K8	Limitada a 224K8	Total	Total	Total	-
TSX MFPP 128K	FLASH EPROM/ 128K8	0	Limitada a 128K8	Total	Total	Total	Total	-
TSX MFPP 224K	FLASH EPROM / 224K8	0	Limitada a 128K8	Total	Total	Total	Total	-
TSX MFPP 384K	FLASH EPROM/ 384K8	0	Limitada a128K8	Limitada a 224K8	Total	Total	Total	-
TSX MFPP 512K	FLASH EPROM/ 512K8	0	Limitada a 128K8	Limitada a 224K8	Total	Total	Total	Total

TSX MFPP 001M	FLASH EPROM/ 1024K8	0	Limitada a 128K8	Limitada a 224K8	Limitada a 768K8	Total	Total	Total
TSX MFPP 002M	FLASH EPROM/ 2048K8	0	-	Limitada a 224K8	Limitada a 768K8	Total	Total	Total
TSX MFPP 004M	FLASH EPROM/ 4096K8	0	-	Limitada a 768K8	Limitada a 1792K8	Limitada a 2048K8	Total	Total
TSX MFP B 096K	RAM/Backup	96 K8	Limitada a 96K8	Total	Total	Total	Total	Total

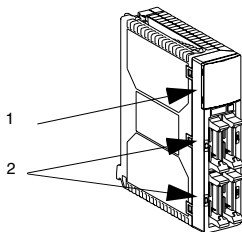
Presentación

Modularidad	64 E o 64 S	32 E o 32 S	32 E o 28E/S	16 E
Conéctica Conectores HE 10				
Conéctica			8/16 E o 8/16 E/S	8 o 16 S
Bornero de tornillos (Bornero no representado)				

Descripción física

Módulos con conectores HE 10 :

- 1 Bloques de visualización.
- 2 Conectores HE10 protegidos con una tapa. Estos conectores permiten la conexión de los detectores y preaccionadores, bien directamente por medio de cables trenzados precableados; bien por medio de bases de conexión TELEFAST 2.



Módulos con bornero de tornillos

- 1 Bloque de visualización.
- 2 Bornero de tornillos extraíble para la conexión directa de sensores y preaccionadores.
- 3 Puerta de acceso a los bornes de tornillos que también sirve de soporte para la etiqueta de identificación.
- 4 Dispositivo descodificador

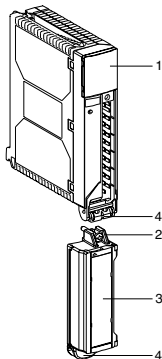
⚠ El bornero se entrega por separado, con la referencia TSX BLY 01..

•Etiqueta de identificación

Esta etiqueta amovible se entrega con el módulo y se tiene que colocar dentro de la puerta (3). Está impresa tanto por el anverso como por el reverso y facilita la siguiente información :

-con la puerta cerrada: la referencia del módulo y la naturaleza de las vías. En una casilla, que rellenará el usuario, la dirección del módulo y la designación simbólica de las vías,

-con la puerta abierta: el cableado de las entradas y/o salidas con el número de las vías y el número de los bornes de conexión.



Resumen del catálogo

Módulos de entradas TSX DEY ..

Referencia	Modular.	Conect.	Tensión	Aislam.	Lógica	Filtrado	IEC 1131-2
DEY 08 D2	8 (1)	Bornero	24 VCC	Sí	Positiva	4 ms	Tipo 2
DEY 16 D2	16 (1)	Bornero	24 VCC	Sí	Positiva	4 ms	Tipo 2
DEY 16 D3	16 (1)	Bornero	48VCC	Sí	Positiva	4 ms	Tipo 2
DEY 16 A2	16 (2)	Bornero	24 VCC	Sí	Negativa	10 ms	-
			24 VCA	Sí	-	50/60 Hz	Tipo 2
DEY 16 A3	16 (2)	Bornero	48 VCA	Sí	-	50/60 Hz	Tipo 2
DEY 16 A4	16 (2)	Bornero	115 VCA	Sí	-	50/60 Hz	Tipo 2
DEY 16 A5	16 (2)	Bornero	230 VCA	Sí	-	50/60 Hz	Tipo 1
DEY 16 FK	16 (3)	HE 10	24 VCC	Sí	Positiva	0,1..7,5 ms	Tipo 1
DEY 32 D2K	32 (3)	HE 10	24 VCC	Sí	Positiva	4 ms	Tipo 1
DEY 32 D3K	32 (1)	HE 10	48VCC	Sí	Positiva	4 ms	Tipo 2
DEY 64 D2K	64 (3)	HE 10	24 VCC	Sí	Positiva	4 ms	Tipo 1

(1) Compatibilidad DDP 2 y 3 hilos CEI 947-5-2

(2) Compatibilidad DDP 2 hilos AC CEI 947-5-2

(3) Compatibilidad DDP 2 y 3 hilos Telemecanique

Presentación general de los módulos de entradas/salidas TON

Modules de sorties TSX DSY ..

Referencia (5)	Modular.	Conect.	Tensión	Corriente	Lógica	Protección	Tiempo de respuesta
DSY 08 T2	8 (T)	Bornero	24 VCC	0,5 A	Positiva	Sí (1)	1,2 ms
DSY 08 T22	8 (T)	Bornero	24 VCC	2 A	Positiva	Sí (1)	0,2 ms
DSY 08 T31	8 (T)	Bornero	48VCC	1 A	Positiva	Sí (1)	0,2 ms
DSY 16 T2	16 (T)	Bornero	24 VCA	0,5 A	Positiva	Sí (1)	1,2 ms
DSY 16 T3	16 (T)	Bornero	48VCA	0,5 A	Positiva	Sí (1)	1,2 ms
DSY 08 R5 (3)	8 (R)	Bornero	24 VCC	3 A	-	No	0 → 1 < 8ms
			24...240 VCA				1 → 0 < 10ms
DSY 08 R4D (3)	8 (R)	Bornero	24...110 VCC	5 A	-	Sí (2)	0 → 1 < 10ms
			24...240 VCA				1 → 0 < 15ms
DSY 08 R5A (3)	8 (R)	Bornero	24...48 VCC	5 A	-	Sí (2)	
DSY 16 R5 (3)	16 (R)	Bornero	24 VCC	3 A	-	No	
			24...240 VCA				
DSY 08 S5 (3)	8 (S)	Bornero	48...220 VCA	2 A	-	Sí (2)	0 → 1 < 10ms
							1 → 0 < 10ms
DSY 16 S4 (3)	16 (S)	Bornero	24...110 VCA	1 A	-	No	
DSY 16 S5	16 (S)	Bornero	48...220 VCA	1 A	-	Sí (2)	
DSY 32 T2K	32 (T)	HE 10	24 VCC	0,1 A	Positiva	Sí (1)	1,2 ms
DSY 64 T2K	64 (T)	HE 10	24 VCC	0,1 A	Positiva	Sí (1)	1,2 ms

- (1) Las salidas incluyen un dispositivo de protección contra los cortocircuitos y las sobrecargas. Los módulos están protegidos contra las inversiones de polaridad.
- (2) Las salidas están protegidas con fusibles intercambiables a los que se puede acceder desde la parte frontal de los módulos.
- (3) Un dispositivo corta automáticamente las salidas durante el desbloqueo del bornero.
- (4) El retorno de las salidas es configurable para todos los módulos, excepto para los módulos de salidas de triacs.
- (5) Todas las salidas están aisladas.

(T) Salidas de transistores

(R) Salidas de relé

(S) Salidas de triacs

Módulo mixto de entradas/salidas TSX DMY 28FK/28RFK

Modularidad	Conect.	Tensión	Corriente	Lógica	Protección	Filtrado	Tiempo de respuesta	IEC 1131
16 Entradas	HE 10	24 VCC	-	Positiva	-	0,1..7,5 ms	-	Type 1
12 Salidas (T)	HE 10	24 VCC	0,5 A	Positiva	Sí	-	0,5 ms	Sí

Nota: Las salidas incluyen un dispositivo de protección contra los cortocircuitos y las sobrecargas. El módulo está protegido contra las inversiones de polaridad.

Todas las entradas y salidas están aisladas

(T) Salidas con transistores

Instalación / Montaje

Los módulos de entradas/salidas TON, se colocan indiferentemente en un rack TSX RKY ...
Para el montaje de los módulos en el rack, véanse las instrucciones de servicio de los racks .

⚠ El montaje / desmontaje de un módulo en el rack se puede realizar con el rack conectado; pero es obligatorio interrumpir la corriente de los sensores y preaccionadores así como desconectar el bornero.

Funciones

Entradas con generador de corriente

Las entradas de corriente continua 24 VCC y 48 VCC son de tipo "generador de corriente". Sea cual sea la tensión de entrada, siempre y cuando sea superior 11 V (para las entradas 24 VCC) o 20 V (para las entradas de 48 VCC), la corriente de entrada es constante.

Protección de las salidas estáticas de corriente continua

Todas las salidas estáticas protegidas están equipadas con un dispositivo que permite, cuando una salida está activa, detectar la aparición de una sobrecarga o de un cortocircuito. Un fallo de esa naturaleza provoca la desactivación de la salida (disyunción) y la indicación del fallo (el indicador de la vía con el fallo parpadea y el piloto I/O del procesador se enciende). Para volver a activar una salida en disyunción, es necesario volver a arrancarla

Restablecimiento de las salidas

El restablecimiento de una salida en disyunción puede ser automático o controlado, según la configuración. Las salidas estáticas de corriente continua, o las de relé o de triacs protegidas por un fusible intercambiable son las que solicitan el restablecimiento. Se efectúa por grupos de 8 vías, pero permanece sin efecto para las vías que no estén activadas o que no registren fallos.

- si el restablecimiento es automático, lo ejecutará el módulo cada 10 s, hasta que desaparezca el fallo que permite que se tome en cuenta,
- si el restablecimiento es controlado por el programa de aplicación o por medio de una consola, se tendrá en cuenta si desaparece el fallo. Hay que esperar como mínimo 10 s entre dos restablecimientos.

Retorno de las salidas

Cuando se produce un fallo bloqueante, el usuario coloca todas las salidas de un módulo en un estado determinado en configuración: mantenimiento en estado 0 o retorno a 1.

Descomposición de entradas / salidas

Cada módulo se divide funcionalmente en grupos de 8 vías que se pueden asignar a las distintas tareas de la aplicación (por ejemplo, para un módulo de 16 vías, las vías 0 a 7 pueden asignarse a la tarea MAST y las vías 8 a la 15 a la tarea FAST).

Las vías de un mismo grupo poseen los modos de marcha y el control de funciones comunes (retorno y restablecimiento de las salidas).

Filtrado programable en las entradas

Los módulos TSX DEY 16FK y TSXDMY 28FK/28RFK permiten configurar el tiempo de filtrado de las entradas entre 0 y 7,5 ms (4 ms por defecto).

⚠ Para evitar que se registren rebotes durante el cierre de los contactos mecánicos, es aconsejable utilizar un tiempo de filtrado superior a 3 ms.

Memorización de estado

Los módulos TSX DEY 16FK y TSX DMY 28 FK permiten, por medio de la memorización del estado, tener en cuenta impulsos muy cortos y de duración inferior a un tiempo de ciclo automática. El cambio de estado de la entrada se tiene en cuenta para ser tratado en el ciclo siguiente en la tarea.

⚠ El tiempo que transcurre entre 2 impulsos en una misma entrada debe ser igual a 2 tiempos de ciclo como mínimo. La duración mínima del impulso debe ser superior al tiempo de filtrado configurado

Control de sucesos

Los módulos TSX DEY 16FK y TSX DMY 28KF permiten configurar hasta 16 entradas que permiten registrar los sucesos y su tratamiento inmediato por parte del procesador (tratamiento al producirse interrupción).

Control de la presencia del bornero

Todos los módulos con bornero están equipados con un dispositivo que registra la presencia del bornero sobre el módulo y que da una señal de fallo si el bornero no está o si está mal enclavado.

Control de los cortocircuitos y las sobrecargas

Los módulos de salidas estáticas están equipados con un dispositivo que controla el estado de carga. El cortocircuito o la sobrecarga de una o varias salidas provocan la aparición de una señal de fallo y la disyunción de las salidas afectadas.

Control de tensión en el sensor

Todos los módulos de entradas están equipados con un dispositivo que controla que la tensión de alimentación de los sensores, así como del módulo, sea suficiente como para garantizar el buen funcionamiento de las vías de entradas. Si esta tensión se vuelve inferior a cierto umbral aparece una señal de fallo.

⚠ La alimentación del sensor se tendrá que proteger con un fusible rápido de 0,5 A.

Control de tensión en el preaccionador

Todos los módulos de salidas estáticas están equipados con un dispositivo que determina si la tensión de alimentación de los preaccionadores, así como del módulo, es suficiente como para garantizar el buen funcionamiento de las vías de salidas. Si esta tensión se vuelve inferior a cierto umbral aparece una señal de fallo.

Funciones reflejas y temporizadores en el módulo TSX DMY 28RFK

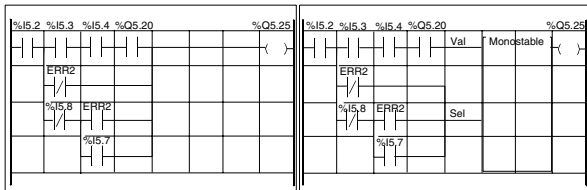
Este módulo permite realizar aplicaciones que requieran un tiempo de respuesta más rápido que la tarea FAST o que un tratamiento por sucesos (<500 ms) a partir de funciones de automatismo ejecutadas en el módulo y desconectadas de la tarea automática utilizando como variables de entrada:

- las entradas físicas del módulo (%I),
- los controles de salida del módulo (%Q),
- la información de defecto de las vías o el módulo,
- los estados de las salidas físicas del módulo.

Estas funciones se programan en modo configuración a partir de los software PL7 Junior o PL7 Pro de versión V ≥ 3.3. La pantalla de configuración de cada salida está formada por dos partes principales:

- una parte que representa una red de contactos de ergonomía simplificada con 4 líneas de 4 contactos que permiten realizar una función combinada de variables de entrada,
- una parte que representa la función de instalación, que puede ser, bien el control directo de la salida a partir de la función combinada configurada, bien un bloque de función. (véanse los ejemplos en la página siguiente).

Ejemplos



Lista de los principales bloques de función:

- bloque de función temporizador tipo trabajo,
- bloque de función temporizador tipo reposo,
- bloque de función temporizador tipo trabajo y reposo,
- bloque de función temporizador con dos valores,
- bloque de función temporizador tipo trabajo/reposo con selección de valores,
- bloque de función monoestable reactivable,
- bloque de función monoestable temporizado, no reactivable,
- bloque de función monoestable con dos valores,
- bloque de función oscilador,
- bloque de función contador de dos umbrales,
- bloque de función contador de un umbral con monoestable,
- bloque de función contador de intervalos para medir un tiempo o una longitud,
- bloque de función Burst para generar un número definido de períodos de oscilador,
- bloque de función PWM para generar una oscilación continua de frecuencia fija pero con relación cíclica variable,
- bloque de función de detección de subvelocidad,
- bloque de función de supervisión de velocidad,
- bloques de función mando/control para controlar una acción y comprobar, transcurrido un tiempo determinado, que se ha realizado correctamente:
 - bloque de función mando/control de tipo 1: (1 solo control),
 - bloque de función mando/control de tipo 2: (2 controles: AV y AR),
- bloque de función de mando durante un número de puntos de contaje (posicionamiento simple),
- bloque de función de señalización de fallos,
- bloque de función basculación D, memorización frontal,
- bloque de función basculación T, división por 2,

La descripción de los distintos bloques de función y su instalación de software se desarrolla en el manual de TLX DS 57 PL7 4xS.

Medios de conexión y normas de cableado

Normas de cableado

•Alimentaciones externas para sensores y preaccionadores

Estas alimentaciones deben protegerse contra cortocircuitos y sobrecargas por medio de **fusibles de fusión rápida**.

⚠ **Cuando la instalación en 24 VCC no se efectúa según las normas TBTS (muy baja tensión de seguridad), es obligatorio volver a conectar el 0 v de la alimentación a tierra de protección, lo más cerca posible de la alimentación.**

•Entradas

Si se utiliza un módulo de entradas rápidas TSX DEY 16FK /DMY 28FK, es necesario adaptar el tiempo de filtrado de las entradas a la función deseada: el uso de sensores con salidas de contactos mecánicos obliga a tener un tiempo de filtrado ≥ 3 ms. Para obtener un funcionamiento más rápido se deben utilizar entradas y sensores de corriente continua cuyo tiempo de respuesta sea inferior al de las entradas de corriente alterna.

•Salidas

Si las corrientes son importantes, será necesario segmentar las salidas protegiéndolas con un fusible de fusión rápida.

Se deben utilizar cables de sección suficiente para evitar caídas de tensión y calentamientos.

•Encaminamiento de los cables

Con el fin de limitar los acoplamientos en corriente alterna, es preciso separar los cables de potencia (alimentaciones, contactores de potencia...) de los cables de entradas (sensores) y de salidas (preaccionadores).

Conexión de los módulos con el bornero de tornillos

Cada borne puede recibir cables desnudos o equipados con conteras o con terminales abiertos.

- como mínimo: 1 cable de 0,2 mm² (AWG 24) sin contera,
- como máximo: 1 cable de 2 mm² sin contera o
1 cable de 1,5 mm² con contera

5,5 mm
max.



Conexión de los módulos con los conectores HE10

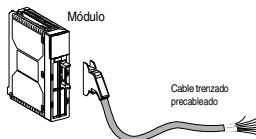
•Cable trenzado precableado de 20 hilos, calibre 22 (0,34 mm)

Permite la conexión hilo por hilo de las entradas / salidas hacia los sensores, preaccionadores o bornes de conexión.

Se proponen 2 referencias: **TSX CDP 301** (3 metros) y **TSX CDP 501** (5 metros).

TSX CDP 301 (3 metros) et **TSX CDP 501** (5 metros).

Borne / Hilo	Borne / Hilo
1 blanco	2 marrón
3 verde	4 amarillo
5 gris	6 rosa
7 azul	8 rojo
9 negro	10 violeta
11 gris-rosa	12 rojo-azul
13 blanco-verde	14 marrón-verde
15 blanco-amar.	16 amar.-marrón
17 blanco-gris	18 gris-marrón
19 blanco-rosa	20 rosa-marrón



•**Superficie de conexión trenzada y cableada, calibre 28 (0,08 mm²)**

Permite conectar entradas / salidas con interfaces de conexión y de adaptación decableado rápido TELEFAST 2. Teniendo en cuenta la pequeña sección de los cables, es aconsejable utilizar la superficie de conexión, exclusivamente en las entradas o salidas de corriente débil (- 100 mA).

Se proponen 3 referencias:

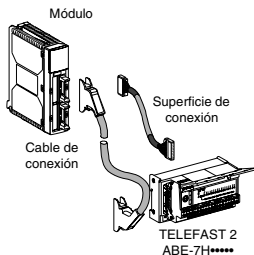
TSX CDP 102 (1 metro), **TSX CDP 202** (2 metros) y **TSX CDP 302** (3 metros).

•**Cable de conexión, calibre 22 (0,34 mm²)**

Permite conectar entradas / salidas con interfaces de conexión y de adaptación de cableado rápido TELEFAST 2.

La sección de los cables (0,34 mm²), permite el paso de corrientes mayores que la superficie de conexión (- 500 mA)..

Existen 5 referencias: **TSX CDP 053** (0,5 metros), **TSX CDP 103** (1 metro), **TSX CDP 203** (2 metros), **TSX CDP 303** (3 metros) y **TSX CDP 503** (5 metros).



Pares de apriete máximos:

- en el tornillo de fijación del módulo en el rack: 2.0 N.m
- en el tornillo del bornero de conexión TSX BLY 01: 0.8 N.m
- en el tornillo de los conectores de los cables TSX CDP •:0.5 N.m

Características de los módulos de entradas con bornero

Entradas de corriente continua : (Valores de entradas : Tensión en VCA, Corriente en mA)		08D2/16	16D3	16A2	
Referencia del módulo TSX DEY					
Valores nominales de entrada	Tensión	24	48	24	
	Corriente	7	7	16	
Valores límites de entrada	en estado 1	Tensión	≥ 11 V	≥ 30 V	≤ Ual - 14 V
		Corriente	≥ 6,5 (U = 11 V)	≥ 6,5 (U = 30 V)	≥ 6,5
	en estado 0	Tensión	≤ 5	≤ 10	≥ Ual - 5
		Corriente	≤ 2	≤ 2	≤ 2
Alim. de los sensores (ondulación incluida)		19...30 V (1)	38...60 V	19...30 V (1)	
Impedancia de entrada (con U nominal)		4 kΩ	7 kΩ	1,6 kΩ	
Lógica		positiva	positiva	negativa	
Conformidad IEC 1131-2		Tipo 2	Tipo 2	-	
Tipo de entrada		pozo de corriente	pozo de corriente	resistiva	
Paralelización de las entradas		Sí	Sí	Sí	
Compatibilidad DDP 2 fils / 3 fils		CEI 947-5-2	CEI 947-5-2	CEI 947-5-2	
Umbral de control tensión del sensor	Ok	> 18 V	> 36 V	> 18 V	
	Fallo	< 14 V	< 24 V	< 14 V	
Rigidez dieléctrica (50/ 60 Hz, 1 mn)		1500 V eff.	1500 V eff.	1500 V eff.	
Consumo (2)	5 V típico	55 / 80 mA	80 mA	80 mA	
	alim. sensores típ. (mA)	25+(Nx 7)	25+(Nx 7)	15+(Nx 15)	
Potencia disipada (2) (W)		1+(Nx 0,15)	1+(Nx 0,3)	1+(Nx 0,4)	

Entradas de corriente alterna (Valores de entradas : Tensión en VCA, Corriente en mA)		16A2	16A3	16A4	16A5	
Referencia del módulo TSX DEY						
Valores nominales de entrada	Tensión	24	48	100..120	200..240	
	Corriente	15	16	12	15	
Valores límites de entrada	en estado 1	Tensión	10	29	74	129
		Corriente	6 (U = 10 V)	6 (U = 29 V)	6 (U = 74 V)	6 (U = 159 V)
	en estado 0	Tensión	5	10	20	40
		Corriente	3 mA	4 mA	4 mA	4 mA
Alim. de los sensores		20...26 V	40...52 V	85...132 V	170...264 V	
Impedancia de entrada		1,6 kΩ	3,2 kΩ	9,2 kΩ	20 kΩ	
Conformidad IEC 1131-2		Type 2	Type 2	Type 2	Type 1	
Tipo de entrada		resistiva	capacitiva	capacitiva	capacitiva	
Paralelización de las entradas		Sí	Sí	Sí	Sí	
Compatibilidad DDP 2 hilos / 3 hilos		CEI 947-5-2	CEI 947-5-2	CEI 947-5-2	CEI 947-5-2	
Umbral de control tensión del sensor	Ok	> 18 V	> 36 V	> 82 V	> 164 V	
	Fallo	< 14 V	< 24 V	< 40 V	< 80 V	
Rigidez dieléctrica (50/ 60 Hz, 1 min.)		1500 V eff.	1500 V eff.	1500 V eff.	1500 V eff.	
Consumo	5 V típico	80 mA	80 mA	80 mA	80 mA	
	alim. sens. típ. (mA)	15+(Nx 15)	16+(Nx 16)	15+(Nx 15)	12+(Nx 12)	
Potencia disipada por vía (2)		1+(Nx 0,35)	1+(Nx 0,35)	1+(Nx 0,35)	1+(Nx 0,4)	

(1) hasta 34 V (1 h / 24 h)

(2) N = núm. de vías de 1

Características de los módulos de entradas con conector(es)

Entradas de corriente alterna (Tensión en VCC, corriente en mA)						
Referencia del módulo TSX DEY		16FK	32D2K	64D2K	32D3K	
Valores nominales de entrada		Tensión	24	24	24	48
		Corriente	3,5	3,5	3,5	7
Valores límites de entrada	en estado 1	Tensión	≥ 11 V	≥ 11 V	≥ 11 V	≥ 30 V
		Corriente	3	3	3	6,5 (U = 30 V)
	en estado 0	Tensión	≤ 5	≤ 5	≤ 5	≤ 10
		Corriente	1,5 mA	1,5 mA	1,5 mA	≤ 2 mA
Alimentación sensores (ondulación incluida)		19...30 V (1)	19...30 V (1)	19...30 V (1)	38...60 V	
Impedancia de entrada		6,3 kΩ	6,3 kΩ	6,3 kΩ	6,3 kΩ	
Lógica		positiva	positiva	positiva	resistiva	
Tipo de entrada		pozo de corriente	pozo de corriente	pozo de corriente	pozo de corriente	
Conformidad IEC 1131-2		Tipo 1	Tipo 1	Tipo 1	Tipo 2	
Paralelización de las entradas		Sí	No	No	Sí	
Compatibilidad DDP 2 hilos/ 3 hilos		Sí	Sí	Sí	Sí	
Umbral de control		Ok	> 18 V	> 18 V	> 18 V	> 36 V
		Fallo	< 14 V	< 14 V	< 14 V	< 24 V
Intensidad detector						
Rigidez dieléctrica (50/ 60 Hz, 1 min.)		1500 V eff.	1500 V eff.	1500 V eff.	1500 V eff.	
Consumo (2)		5 V típico	250 mA	135 mA	155 mA	300 mA
		24 V sensores típ. (mA)	20+(Nx 3,4)	30+(Nx 3,5)	60+(Nx 3,5)	50+(Nx 7)
Potencia disipada (2) (W)		1,2+(Nx 0,1)	1+(Nx 0,1)	1,5+(Nx 0,1)	2,5+(Nx 0,34)	

(1) hasta 34 V (1 h / 24 h)

(2) N = núm. de vías de 1

Características de los módulos de salidas con bornero

Salidas estáticas para corriente continua (lógica positiva)					
Referencia módulo TSX DSY		08T2 / 16T2	08T22	08T31	16T3
Valores nominales de entrada	Tensión	24 VCC/0,5A	24VCC	48VCC	48VCC
	Corriente	0,5A	2A	1A	0,25A
Valores límites (para U ≤ 30 ó 34 V, ondulación incluida)	Tensión	19...30V(1)	19...30V(1)	38...60V	38...60V
	Corriente/vía	0,625A	2,5A	1,25A	0,31A
	Corriente/módulo	4A /7A	14A	7A	4A
Potencia lámpara de filamento de tungsteno		6W	10W	10W	6W
Corriente de fuga	en estado 0	<0,5mA	<1mA	<1mA	<0,5mA
Tensión residual	en estado 1	<1,2V	<0,5V	<1V	<1,5V
Impedancia de carga mínima		48Ω	12Ω	48Ω	192Ω
Tiempo de respuesta		1,2ms	200μs	300μs	1,2ms
Umbral de control tensión preaccionador	Ok	> 18 V	> 16 V	> 36 V	> 36 V
	Fallo	< 14 V	< 14 V	< 24 V	< 24 V
Rigidez dieléctrica (50/ 60 Hz, 1 mn)		1500 V eff.	1500 V eff.	1500 V eff.	1500 V eff.
Consumo	5 V típico	55/80 mA	55 mA	55 mA	80 mA
	alim. preaccionadores	30/40mA	30mA	30mA	40mA
Potencia disipada en watt (13)		1,1+(Nx 0,75)	1,3+(Nx 0,2)	2,2+(Nx 0,55)	2,4+(Nx 0,85)

Salidas de relé, corriente térmica 3 A						
Referencia de módulo TSX DSY		08RS / 16RS				
Tensión límite de utilización	Corriente continua	10...34VCC				
	Corriente alternativa	19...264VCA				
Corriente térmica		3A				
Carga corriente alterna	Resistiva régimen AC12	Tensión	24 VCA	48 VCA	100...120 VCA	200...240 VCA
		Potencia	50VA (5)	50VA (6) 11VA (4)	110VA (6) 220VA (4)	220VA (6)
	Inductiva régimen AC14 & AC15	Tensión	24 VCA	48 VCA	100...120 VCA	200...240 VCA
		Potencia	24VA (4)	10VA (10) 24VA (8)	10VA (11) 50VA (7) 110VA (2)	10VA (11) 50VA (9) 110VA (6) 220VA (1)
Carga corriente continua	Resistiva régimen DC12	Tensión	24 VCC			
		Potencia	24 W (6) 40 W (3)			
	Inductiva régimen DC13	Tensión	24 VCC			
		Potencia	10 W (8) 24W (6)			
Tiempo de respuesta	Conexión	< 8ms				
	Desconexión	< 10ms				
Aislamiento (50/ 60 Hz, 1 mn)		2000 V eff.				
Consumo	5 V típico	55/80 mA				
	24V relé típico (12)	(Nx 8,5)mA				
Potencia disipada en watt (13)		0,25+(Nx 0,2)				

Salidas de relé para corriente continua						
Referencia de módulo TSX DSY			08R4D			
Tensión límite de utilización	Corriente continua		19...143VCC			
	Corriente alterna		prohibida			
Corriente térmica			5A (máximo 6 A por común)			
Carga de corriente continua	Resistiva régimen DC12	Tensión	24 VCC	48 VCC	100...130 VCC	
		Potencia	50 W (6) 100 W (3)	100 W (6) 200 W (3)	220 W (6) 440 W (3)	
	Inductiva régimen DC13	Tensión	24 VCC	48 VCC	110 VCC	
		Potencia	20 W (8) 50 W (6)	50 W (8) 100 W (6)	110 W (8) 220 W (6)	
Tiempo de respuesta	Conexión		< 10ms			
	Desconexión		< 15ms			
Aislamiento (50/ 60 Hz, 1 mn)			2000 V eff.			
Consumo	5 V típico		55 mA			
	24V relé típico (13)		(Nx 10)mA			
Potencia disipada en watt (13)			0,25+(Nx 0,24)			

Salidas de relé, corriente térmica 5A						
Referencia de módulo TSX DSY			08R5A			
Tensión límite de utilización	Corriente continua		19..60VCC			
	Corriente alterna		19...264 VCA			
Corriente térmica			5 A (maxi. 6A par commun)			
Carga corriente alterna	Resistiva régimen AC12	Tensión	24 VCA	48 VCA	100...120 VCA	200...240 VCA
		Potencia	100 VA (5)	100 VA (6) 200 VA (4)	220 VA (6) 440 VA (4)	440 VA (6)
	Inductiva régimen AC14 & AC15	Tensión	24 VCA	48 VCA	100...120 VCA	200...240 VCA
		Potencia	50 VA (4)	20 VA (10) 50 VA (8)	20 VA (11) 110 VA (7) 220 VA (2)	20 VA (11) 110 VA (9) 220 VA (6) 440 VA (1)
Carga corriente continua	Resistiva régimen DC12	Tensión	24 VCC	48 VCC		
		Potencia	24 W (6) 50 W (3)	50 W (6) 100 W (3)		
	Inductiva régimen DC13	Tensión	24 VCC	48 VCC		
		Potencia	10 W (8) 24W (6)	24 W (8) 50 W (6)		
Tiempo de respuesta	Conexión		< 10ms			
	Desconexión		< 15ms			
Aislamiento (50/ 60 Hz, 1 mn)			2000 V eff.			
Consumo	5 V típico		55 mA			
	24V relé típico (13)		(Nx 10)mA			
Potencia disipada en watt (13)			0,25+(Nx 0,24)			

- (1) hasta 34 V (1 h / 24 h) (5) 0,5 x 10⁶ maniobras (9) 2 x 10⁶ maniobras (13) N = núm. de vías de 1
 (2) 0,1 x 10⁶ maniobras (6) 0,7 x 10⁶ maniobras (10) 3 x 10⁶ maniobras
 (3) 0,15 x 10⁶ maniobras (7) 1 x 10⁶ maniobras (11) 5 x 10⁶ maniobras
 (4) 0,3 x 10⁶ maniobras (8) 1,5 x 10⁶ maniobras (12) 10 x 10⁶ maniobras

Salidas de triacs			
Referencia de módulo TSX DSY		08S5 / 16S5	16S4
Tensión límite de utilización		41...264 VCA	
Corriente admisible	TSX DSY 08S5	2A / voie - 12A / módulo	1A / voie - 12A / módulo
	TSX DSY 16S5	1A / voie - 12A / módulo	
Tiempo de respuesta	Conexión	< 10ms	< 10ms
	Desconexión	< 10ms	< 10ms
Aislamiento (50/60 Hz, 1 min.)		2000 V eff.	2000 V eff.
Consumo 5 V típico	TSX DSY 08S5	125 mA	220 mA
	TSX DSY 16S5	220 mA	
Potencia disipada (W)	TSX DSY 08S5	0,5W + 1W/A por salida	0,85W + 1W/A por salida
	TSX DSY 16S5	0,5W + 1W/A por salida	

Características de los módulos de salidas con conector(es)

Salidas estáticas para corriente continua (lógica positiva)			
Referencia de módulo TSX DSY		32T2K	64T2K
Valores nominales	Tensión	24 VCC	24 VCC
	Corriente	0,1 A	0,1 A
Valores límites (para $U \leq 30$ ó 34 V ondulación incluida)	Tensión	19...30 V(1)	19...30 V(1)
	Corriente / vía	0,125 A	0,125 A
	Corr./módulo	3,2 A	5 A
Potencia lámpara de filamento de tungsteno		1,2 W (máximo)	1,2 W (máximo)
Corriente de fuga	à l'état 0	<0,1mA pour U=30V	<0,1mA pour U=30V
Tensión residual	à l'état 1	<1,5 V pour I = 0,1 A	<1,5 V pour I = 0,1 A
Impedancia de carga mínima		220 Ω	220 Ω
Paralelización de las salidas		Sí : 3 máximo	Sí : 3 máximo
Tiempo de respuesta		1,2ms	1,2ms
Umbral de control de tensión preaccionador	Ok	> 18 V	> 16 V
	Fallo	< 14 V	< 14 V
Rigidez dieléctrica (50/60 Hz, 1 min.)		1500 V eff.	1500 V eff.
Consumo	5 V típico	135 mA	155 mA
	24 V sensores tip.	30 mA	60 mA
Potencia disipada (2) (W)		1,6 +(Nx 0,1)	2,4+(Nx 0,1)

(1) hasta 34 V (1 h / 24 h)

(2) N = núm. de vías

Características del módulo mixto de entradas/salidas con conectores

Características de las entradas

Referencia de módulo TSX DMY		28FK / 28RFK	
Valores nominales de entrada	Tensión	24 VCC	
	Corriente	3,5 mA	
Valores límites de entrada	en estado 1	Tensión	≥ 11 V
		Corriente	3 mA
	en estado 0	Tensión	≤ 5 V
		Corriente	≤ 1,5 mA
Alimentación de los detectores (ondulación incluida)		19...30 V (hasta 34 V (1 h / 24 h))	
Impedancia de entrada (de U nominal)		6,3 kΩ	
Tipo de entrada		pozo de corriente	
Paralelización de las entradas		Si	
Compatibilidad DDP 2 hilos / 3 hilos		Si	
Umbral de control tensión de detector	Ok	> 18 V	
	Fallo	< 14 V	
Rigidez dieléctrica (50/ 60 Hz, 1 mn)		1500 V eff.	
Consumo	5 V típico	300 mA	
	24 V de sensores típico	20+(Nx 3,5) mA	
Potencia disipada (W)		0,1	

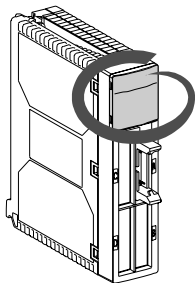
Características de las salidas

referencia de módulo TSX DMY		28FK / 28RFK
Valores nominales de salida	Tensión	24 VCC
	Corriente	0,5 A
Valores límites de salida	Tensión	19...30 V (hasta 34 V (1 h / 24 h))
	Corriente / vía	0,625 mA
	Corriente / módulo	4 A
Potencia de lámpara de filamento de tungsteno		6 W
Corriente de fuga	en estado 0	<1 mA
Tensión residual	en estado 1	<1,2 V
Impedancia de carga mínima		48 Ω
Tiempo de respuesta		0,6 ms
Umbral de control de la tensión del preaccionador	Ok	> 18 V
	Fallo	< 14 V
Rigidez dieléctrica (50/ 60 Hz, 1 mn)		1500 V eff.
Consumo	24 V preaccionadores	30 / 40 mA
Potencia disipada		1 W + 0,75 W par salida en estado 1

Mantenimiento / Diagnóstico

Los indicadores de estado de la parte frontal del módulo permiten elaborar un diagnóstico rápido del mismo :

- 3 indicadores de estado del módulo informan sobre el modo de funcionamiento del módulo
 - RUN (verde): estado del módulo (encendido: funcionamiento normal; apagado: módulo en fallo),
 - ERR (rojo): fallos internos (encendido: módulo averiado; intermitente: fallo de comunicación),
 - I/O (rojo): fallos externos (encendido: sobrecarga, cortocircuito, fallo de tensión en los detectores/preaccionadores; intermitente: fallo del bornero).



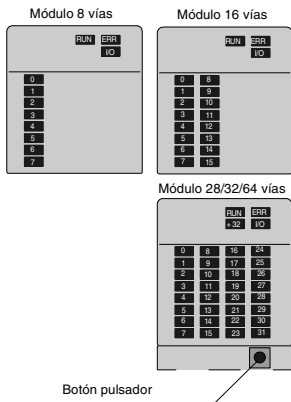
⚠ Durante las pruebas automáticas, los indicadores RUN, ERR e I/O parpadean.



- 8, 16 ó 32 indicadores de estado de vías informan sobre el estado de cada entrada o salida (encendido: vía en estado 1; intermitente: vía en fallo, sobrecarga o cortocircuito; apagado: vía en estado 0).

Además, el intermitente +32, presente en los módulos de 64 vías, indica el grupo de vías visualizado (apagado: vías 0 a 31; encendido: vías 32 a 63). Un botón pulsador (presente únicamente en los módulos de 64 vías) permite seleccionar el grupo de vías.

En el caso del módulo mixto de entradas/salidas 28E/S (16E + 12S):

- los indicadores 0 a 15 indican el estado de las entradas,
- los indicadores 16 a 27 indican el estado de las salidas.



	Encendido	Intermitente 	Apagado 
RUN	Funcionamiento normal	-	Módulo en fallo o sin tensión
ERR	Fallo interno module en panne	Fallo de comunicación si indicador RUN encendido Módulo no configurado si indicador RUN apagado(1)	Ningún fallo módulo
I/O	Fallo externo: sobrecarga, cortocircuito, fallo de tensión en sensores / preaccionadores	Fallo bornero	Ningún fallo externo
0...i	Vía en estado 1	Vía en fallo, sobrecarga o cortocircuito	Vía en estado 0

(1) Este estado únicamente está disponible en las versiones de módulo V ≥ V2.0.

Condiciones de servicio

Temperatura de funcionamiento		0...60° C
Humedad relativa		10...95% (sin condensación)
Altitud de funcionamiento		0...2000 m
Inmunidad a	las vibraciones	IEC 68-2-6, prueba Fc, severidad 2 g
	los choques	IEC 68-2-27, prueba Ea
Resistencia a las descargas electrostáticas		IEC 1000-4-2, nivel 3
Inmunidad a	os campos electromagnéticos	IEC 1000-4-3, nivel 3
	los transiciones rápidas	IEC 1000-4-4, nivel 3
	las ondas de choque	IEC 1000-4-5
	las ondas oscilatorias amortiguadas	IEC 1000-4-12
Resistencia contra parásitos BF		IEC 1131-2
Temperatura de almacenamiento		-25...+70° C
Seguridad mecánica		IP 20 con tapas TSX RKA 01

Procedure generali di sicurezza

Procedure generali di sicurezza

Presentazione	7
Descrizione fisica	8
Dimensioni d'ingombro	9
Montaggio / fissaggio	9
Regole d'installazione	10
Indirizzamento del rack di una stazione PLC	11
Indirizzi del modulo	13
Installazione dei moduli	14
Montaggio dei moduli e delle morsettiere	16
Costituzione di una stazione PLC con processore TSX P57	17
Costituzione di una stazione PLC con processore PCX 57	19
Cavi di estensione BusX	21
Terminazione di linea TSX TLYEX	22
Coperchietto di protezione di una posizione non occupata	24
Identificazione	24

Moduli di alimentazione TSX PSY ***

Presentazione	27
Catalogo	27
Descrizione fisica	28
Funzioni ausiliarie	29
Installazione / montaggio	30
Caratteristiche	31
Regole dei collegamenti	35

Connessioni

Messa a terra dei rack	37
Connessione delle alimentazioni	37
Connessioni del relè d'allarme	40

TSX P57

Presentazione	41
Descrizione fisica	42
Installazione / Montaggio	44
Precauzioni.....	45
Funzioni ausiliari	46
Diagnostica a partire dagli indicatori di visualizzazione	54
Caratteristiche	55

Presentazione generale dei moduli di I/O digitali

Presentazione	61
Descrizione fisica	61
Riferimento del catalogo	62
Installazione / Montaggio	64
Funzionalità	64
Mezzi di collegamento e regole di cablaggio	67
Caratteristiche dei moduli d'ingresso a morsettiera	69
Caratteristiche dei moduli d'ingresso a connettore(i)	70
Caratteristiche dei moduli d'uscita a morsettiera	71
Caratteristiche dei moduli di uscita a connettore(i)	73
Caratteristiche del modulo misto di I/O a connettori	74
Manutenzione / Diagnostica	75
Condizioni ambientali di esercizio	76

1 Generalità

La presente documentazione si indirizza al personale tecnicamente qualificato per la messa in opera, utilizzo e manutenzione dei prodotti qui descritti. Per un utilizzo «avanzato» dei prodotti, rivolgersi al centro di assistenza locale per ottenere tutte le informazioni complementari.

Il contenuto della documentazione non implica un legame contrattuale e non può in nessun caso estendere o restringere le clausole relative alla garanzia contrattuale.

2 Qualifica del personale addetto

Solo le **persone qualificate** sono autorizzate a mettere in opera, utilizzare o eseguire la manutenzione per questi prodotti. L'intervento di personale non qualificato o il non rispetto delle procedure di sicurezza contenute in questo documento o indicate sulle apparecchiature può compromettere la sicurezza degli addetti e/o quella delle apparecchiature in maniera irrimediabile.

3 Avvertenze

Le avvertenze servono a prevenire rischi particolari all'incolumità delle persone e/o danni alle apparecchiature. Esse sono segnalate nelle documentazioni e sui prodotti con un apposito marchio di avvertenza:

Attenzione :

Significa che se non si applica la procedura o non si tiene conto dell'avvertenza si corrono gravi rischi per l'incolumità personale, e/o danni irreparabili alle apparecchiature.

Importante o

Indica una procedura particolare che se non viene applicata può comportare leggere lesioni corporali e/o danni alle apparecchiature.

Nota : Mette in evidenza un'informazione importante relativa al prodotto, alla sua manipolazione o alla documentazione correlata.

4 Conformità di utilizzo

I prodotti descritti nelle presenti documentazioni **sono conformi alle Direttive Europee** (*) alle quali aderiscono (marchio CE). Tuttavia, il loro utilizzo è corretto soltanto quando sono destinati alle applicazioni indicate nella relativa documentazione e in connessione con i prodotti terzi conformi ed omologati.

(*) Direttive DCEM e DBT concernenti la Compatibilità Elettromagnetica e la Bassa Tensione.

5 Installazione e messa in opera delle apparecchiature

E' importante rispettare le seguenti regole durante l'installazione e la messa in opera delle apparecchiature. Inoltre, se l'installazione prevede delle connessioni numeriche, è assolutamente indispensabile applicare le regole di base per il cablaggio, presentate nel manuale "compatibilità elettromagnetica delle reti e dei bus di campo industriali", **con il riferimento TSX DG KLB** o nel manuale **TSX DR NET**, intercalare C.

- Rispettare scrupolosamente le procedure di sicurezza contenute nella documentazione allegata o riportate sulle apparecchiature da installare o da mettere in opera.
- Il tipo di apparecchiatura definisce il modo in cui tale apparecchiatura deve essere installata:
 - un'apparecchiatura incastrabile (ad esempio, una postazione di dialogo operatore) deve essere incastrata,
 - un'apparecchiatura incorporabile (ad esempio, un PLC) deve essere installata in un armadietto o in un apposito contenitore,
 - un'apparecchiatura «da tavolo» o portatile (ad esempio, un terminale di programmazione o un notebook) deve essere utilizzato chiuso nel suo contenitore,

•Se l'apparecchiatura è collegata in permanenza, occorrerà integrare nel suo impianto elettrico un dispositivo di interruzione dell'alimentazione e un salvavita di protezione dalle sovratensioni e da eventuali difetti d'isolamento. In caso contrario è necessario che la presa di rete disponga di una messa a terra adeguata e che sia facilmente accessibile. **L'apparecchiatura deve essere collegata alla massa di protezione.**

- Se l'apparecchiatura è alimentata con 24 o con 48 Vcc, si devono proteggere i circuiti a bassa tensione. Utilizzare solo alimentazioni in conformità alle norme in vigore.
- Verificare che le tensioni di alimentazione non superino i campi di tolleranza definiti nelle specifiche tecniche delle apparecchiature.
- Devono essere adottate tutte le misure di sicurezza necessarie affinché un'eventuale interruzione e conseguente ritorno dell'alimentazione (immediata, con riavvio a caldo o a freddo) non provochi uno stato pericoloso per gli addetti o per le apparecchiature.
- I dispositivi di arresto d'emergenza devono rimanere efficienti in tutti i modi di funzionamento dell'apparecchiatura e anche durante un funzionamento anormale (ad esempio, interruzione di un cavo). La riattivazione di questi dispositivi non deve provocare riavvii non controllati o non definiti.
- I cavi che trasportano segnali devono essere intradati in modo tale che le funzioni di automazione non siano disturbate da influssi capacitivi, induttivi, elettromagnetici ...
- L'impianto d'automazione e i relativi dispositivi di comando devono essere installati in modo da essere protetti contro manovre imprevedute.
- Per evitare che la mancanza di segnali provochi stati non definiti nell'impianto di automazione, devono essere prese delle misure di sicurezza adeguate sugli ingressi e sulle uscite (I/O).

6 Funzionamento delle apparecchiature

I criteri di sicurezza nel funzionamento di un dispositivo rappresentano la capacità ad evitare guasti e a minimizzare i loro effetti quando questi si verificano.

Un guasto interno di un sistema di comando sarà di tipo:

- Passivo, se il risultato è un circuito d'uscita aperto (nessun comando agli attuatori).
- Attivo, se il risultato è un circuito d'uscita chiuso (invio di un comando agli attuatori).

Da un punto di vista della sicurezza, un dato tipo di guasto è pericoloso o meno secondo il tipo di comando eseguito in funzionamento normale. Un guasto passivo è pericoloso se il comando normale è un'operazione d'allarme, un guasto attivo è pericoloso se mantiene o attiva un comando non desiderato.

Il progettista del sistema dovrà premunirsi, **tramite dei dispositivi esterni al PLC**, contro i guasti attivi interni al PLC, segnalati o non segnalati.

7 Caratteristiche elettriche e termiche

I dettagli delle caratteristiche elettriche e termiche delle apparecchiature sono contenuti nella documentazione tecnica associata (manuali di installazione, istruzioni di servizio).

8 Manutenzione

Prassi da seguire per gli interventi di assistenza

- Le riparazioni su un sistema d'automazione devono essere eseguite solo da personale qualificato (tecnico S.A.V o tecnico qualificato da Schneider Automation). Nella sostituzione di parti o componenti utilizzare esclusivamente ricambi originali.
- Prima di intervenire su un'apparecchiatura, togliere in tutti i casi l'alimentazione e bloccare meccanicamente le parti suscettibili di movimento.

Sostituzione e riciclaggio delle batterie usate. Utilizzare batterie dello stesso tipo di quelle d'origine e smaltire le batterie usate considerandole come residui tossici.

Presentazione

I rack TSX RKY ••• assicurano le seguenti funzioni:

- funzioni meccaniche: consentono il fissaggio dell'insieme dei moduli di una stazione PLC (alimentazione, processore, I/O TOR,) in armadietti, appositi supporti o pannelli,
- funzioni elettriche: integrano un bus, denominato bus X, e assicurano la distribuzione delle alimentazioni necessarie ad ogni modulo di uno stesso rack e dei segnali di servizio e di dati per il PLC se questo comporta più rack.

Sono disponibili due famiglie di rack (standard e di estensione) in 4 diverse modularità (4, 6, 8, 12 posizioni) :

- rack standard: consentono la creazione di una stazione PLC limitata a **un solo rack**,

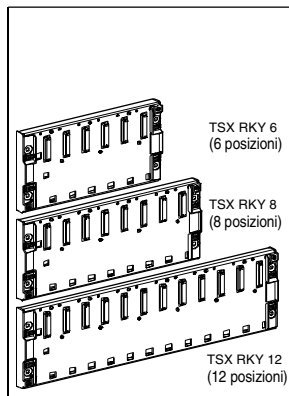
- rack di estensione: consentono la creazione di una stazione PLC che può includere:

- al massimo 8 rack TSX RKY 12EX

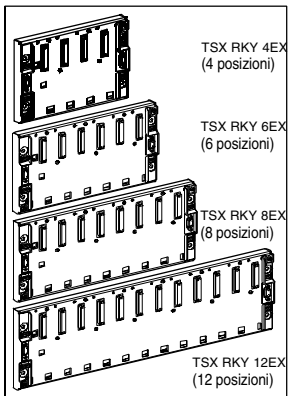
- al massimo 16 rack TSX 4EX/6EX/8EX

Questi rack sono distribuiti su un bus denominato Bus X, la cui lunghezza massima non deve eccedere i 100 metri. La continuità del Bus X tra i rack è assicurata da un cavo di estensione bus con caratteristiche specifiche.

Rack standard

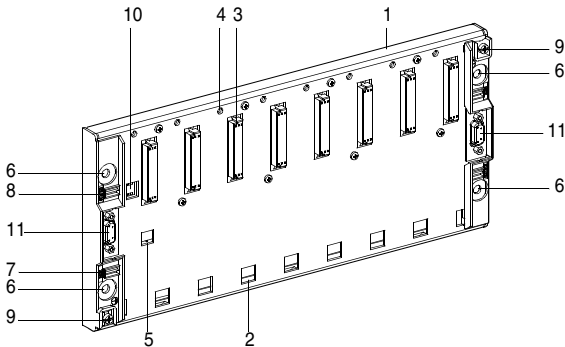


Rack di estensione



Descrizione fisica

Il rack rappresentato qui sotto è un rack di estensione TSX RKY 8EX. I rack standard non dispongono di micro-interruttori (rif.10) e dei connettori SUB D 9 pin (rif.11).



1 Lamierino metallico che assicura il supporto della scheda elettronica BusX con relativa protezione contro i parassiti di tipo EMI/ESD, il supporto dei moduli e la rigidità meccanica del rack.

2 Finestrelle per il fissaggio delle chiavette di inserzione dei moduli.

3 Connettori 1/2 DIN 48 pin femmine che assicurano il collegamento tra il rack e i moduli. Sono protetti da coperchietti che devono venir ritirati prima dell'installazione dei moduli. Il connettore di sinistra, identificato con PS, è sempre dedicato al modulo di alimentazione del rack; gli altri connettori identificati con 00 - ●● servono ad accogliere tutti gli altri tipi di moduli.

4 Fori filettati predisposti per la vite di fissaggio del modulo.

5 Finestrella che impedisce il montaggio del modulo di alimentazione in un'altra posizione.

6 Fori per viti M6 che permettono il fissaggio del rack su un supporto.

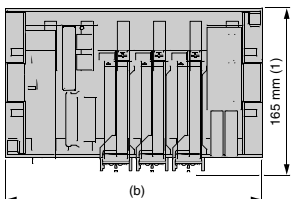
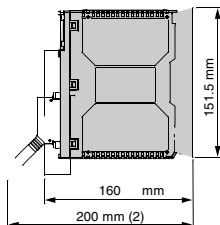
7 Sede per l'identificazione dell'indirizzo del rack.

8 Sede per l'identificazione dell'indirizzo di rete della stazione.

9 Morsettiere per messa a terra del rack.

10 Micro-interruttori per la codifica dell'indirizzo del rack. Questi micro-interruttori esistono solo sui rack di estensione TSX RKY 4EX/6EX/8EX/12EX.

11 Connettori SUB D 9 pin femmina che consentono di portare il BusX verso un altro rack. Questi connettori esistono solo sui rack di estensione TSX RKY 4EX/6EX/8EX/12EX.

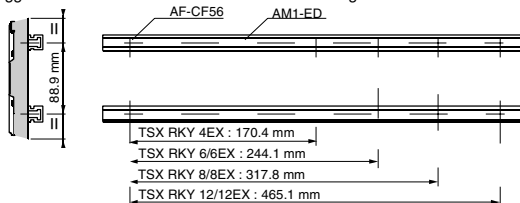
Dimensioni d'ingombro


- (1) per moduli morsetti a vite
 ((2) profondità massima con tutti i tipi di moduli e il cablaggio associato

Modello di rack	(b) in mm
TSX RKY 4EX	187,9 mm
TSX RKY 6/6EX	261,6 mm
TSX RKY 8/8EX	335,3 mm
TSX RKY 12/12EX	482,6 mm

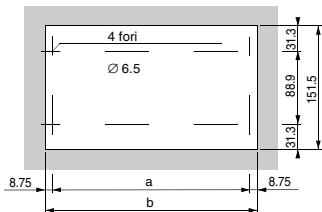
Montaggio / fissaggio
•Montaggio su profilato DIN larghezza 35 mm

Fissaggio con 4 viti M6x25 + rondelle e dadi da 1/4 di giro scorrevole AF1-CF56

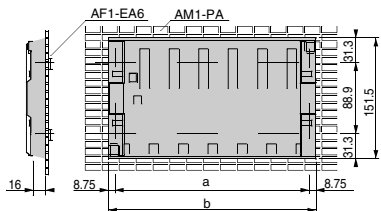

•Montaggio su pannello: piano di perforazione (dimensioni in millimetri)

Références racks	a	b
TSX RKY 4EX	170,4	87,9
TSX RKY 6/6EX	244,1	261,6
TSX RKY 8/8EX	317,8	335,3
TSX RKY 12/12EX	465,1	482,6

dimensioni a e b in millimetri



•Montaggio su piastra perforata Telequick AM1-PA



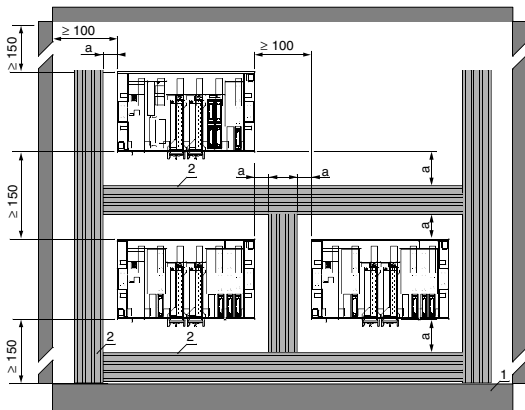
Fissare il rack con 4 viti M6x25 + rondelle e dadi clips AF1- EA6.

(dimensioni a e b: vedere tabella pagina precedente).

•Coppia di serraggio delle viti: massimo 2.0 N.m

Regole d'installazione

I rack TSX RKY ●●● devono essere installati orizzontalmente e su un piano verticale.



$a \geq 50 \text{ mm}$

1 apparecchiatura o custodia

2 canalina o passacavi

Indirizzamento del rack di una stazione PLC

•Stazione costituita a partire da un rack standard

La stazione è sempre limitata a un solo rack; l'indirizzo del rack è implicito e ha sempre valore 0.

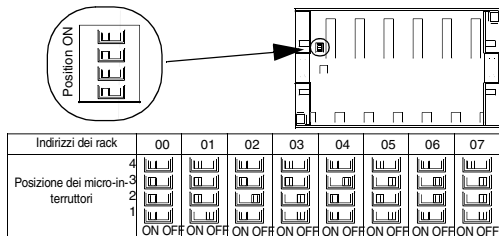
•Stazione costituita a partire da rack di estensione

Per ogni rack della stazione, 4 micro-interruttori situati sul rack consentono:

- la codifica dell'indirizzo del rack sul Bus X (da 0 a 7): micro-interruttori da 1 a 3,
- la codifica di 2 rack (4, 6 o 8 alloggiamenti) allo stesso indirizzo: micro-interruttore 4. Questa funzione è gestita solo dai software PL7 Junior e PL7 Pro versione

V ≥ 3.3

Le codifiche dovranno essere eseguite prima del montaggio del modulo di alimentazione.



Assegnazione degli indirizzi ai diversi rack:

- Indirizzo 0: questo indirizzo viene sempre assegnato al rack che supporta:
- fisicamente il processore TSX P57,
- virtualmente il processore PCX 57.

Il rack può essere situato in una posizione qualsiasi della catena,

- Indirizzi da 1 a 7: questi indirizzi possono essere assegnati in un qualsiasi ordine a tutti gli altri rack della stazione.

⚠ Se, per errore, due o più rack sono posizionati involontariamente allo stesso indirizzo (che non sia l'indirizzo 0), i rack in questione passano in errore, e lo stesso faranno i loro moduli.

Dopo aver effettuato l'indirizzamento corretto dei rack d'indirizzo sbagliato, è necessario effettuare un'accensione/spegnimento dell'alimentazione dei rack.

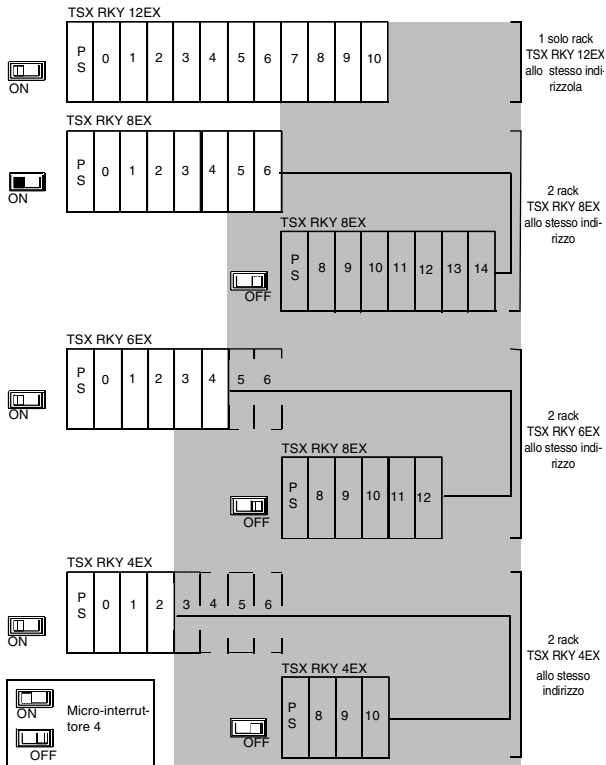
Nota : 1 questa nota si riferisce solo ai rack modello TSX RKY ••EX,

2 se all'indirizzo 0 si trovano due o più rack, il rack che supporta il processore non entra in condizione di errore.

Principio d'indirizzamento di 2 rack sullo stesso indirizzo (v. schema alla pagina seguente).

Questa funzione è gestita solo dai software PL7 Junior e PL7 Pro versione V ≥ 3.3

- I rack TSX RKY 12EX non accettano un secondo rack sullo stesso indirizzo.
- I rack TSX RKY 4EX/6EX/8EX possono essere mischiati tra di loro.
- Due rack TSX RKY 4EX/6EX/8EX con lo stesso indirizzo non devono essere necessariamente installati uno successivo all'altro; l'ordine di ripartizione fisica non ha alcuna importanza.



Indirizzi del modulo

L'indirizzo del modulo è di tipo geografico ed è in funzione della sua posizione nel rack. L'indirizzo di ciascuna posizione è indicato sopra ogni connettore; il connettore indicato come PS è sempre dedicato all'alimentazione.

Indirizzi dei moduli in funzione dei tipi di rack

•Rack standard

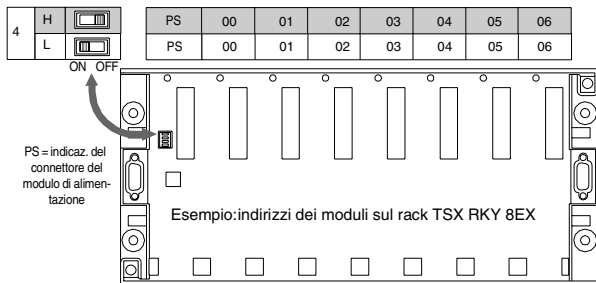
- Rack TSX RKY 6: indirizzi da 00 a 04,
- Rack TSX RKY 8: indirizzi da 00 a 06,
- Rack TSX RKY 12: indirizzi da 00 a 10,

•Rack di estensione

L'indirizzo di un modulo sarà in funzione della posizione del micro-interruttore 4 (vedere indirizzi indicati sopra).

Tipi di rack	Indirizzi dei moduli	
	micro-interruttore 4 in posizione ON	micro-interruttore 4 in posizione OFF
Rack TSX RKY 4EX	00 à 02	08 à 10
Rack TSX RKY 6EX	00 à 04	08 à 12
Rack TSX RKY 8EX	00 à 06	08 à 14
Rack TSX RKY 12EX	00 à 10	non utilizzabile

Indirizzi dei moduli



Nota: gli indirizzi in grigio sono accessibili solo con i software PL7 Junior o PL7 Pro versione V ≥ 3.3

Installazione dei moduli

•Sui rack standard o di estensione d'indirizzo 0 con processore TSX P57

Il rack d'indirizzo 0 riceve obbligatoriamente un modulo di alimentazione e il modulo processore. I PLC Premium dispongono di due tipi di alimentazione (formato standard o formato doppio); la posizione del processore sarà in funzione del tipo di alimentazione utilizzata.

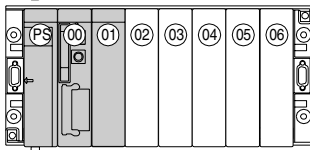
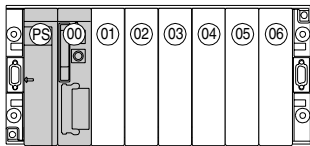
Utilizzo di un modulo di alimentazione formato standard:

-il modulo di alimentazione occupa sistematicamente la posizione PS,

-il modulo processore formato standard può essere installato nella posizione 00 (posizione preferenziale) o in posizione 01 (in questo caso la posizione 00 non è disponibile),

-il modulo processore formato doppio è installato nelle posizioni 00 e 01 (posizione preferenziale) o nelle posizioni 01 e 02 (in quest'ultimo caso la posizione 00 non è disponibile),

-gli altri moduli sono installati a partire dalle posizioni 01, 02 o 03 a seconda dell'installazione del processore.



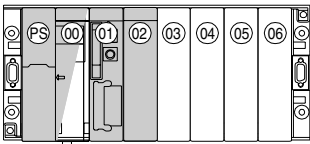
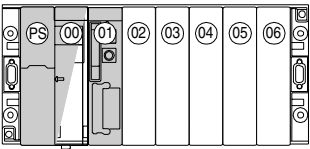
Utilizzo di un modulo di alimentazione doppio formato:

-il modulo di alimentazione occupa sistematicamente le posizioni PS e 00,

-il modulo processore formato standard è installato obbligatoriamente in posizione 01,

-il modulo processore formato doppio è installato nelle posizioni 01 e 02,

-gli altri moduli sono installati a partire dalla posizione 02 o 03 a seconda del tipo di processore (formato standard o formato doppio).

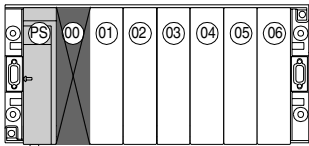


• Su rack di estensione d'indirizzo 0 con processore PCX 57 integrabile in un PC

Il processore PCX 57 integrato nel PC occupa virtualmente una posizione sul rack d'indirizzo 0; questa posizione virtuale sarà inoccupata. I PLC Premium dispongono di due tipi di alimentazione (formato standard o formato doppio), per cui la posizione del processore sarà in funzione del tipo di alimentazione utilizzata

Utilizzo di un modulo di alimentazione formato standard :

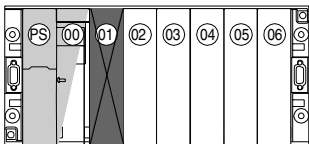
il modulo di alimentazione occupa sistematicamente la posizione PS, la posizione 00, slot virtuale del processore, deve restare inoccupata, -gli altri moduli sono installati a partire dalla posizione 01.



Utilizzo di un modulo di alimentazione formato doppio:

-il modulo di alimentazione occupa sistematicamente le posizioni PS e 00, la posizione 01, slot virtuale del processore deve essere inoccupata,

-gli altri moduli sono installati a partire dalla posizione 02.

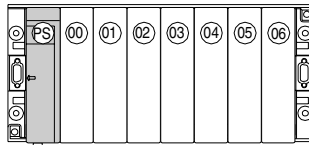


• Su rack di estensione d'indirizzo da 1 a 7

Ogni rack deve essere provvisto di un modulo di alimentazione di formato standard o di formato doppio.

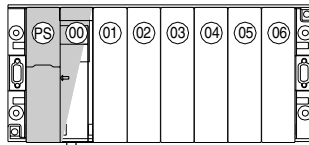
Utilizzo di un modulo di alimentazione formato standard:

-il modulo di alimentazione occupa sistematicamente la posizione PS, -gli altri moduli sono installati a partire dalla posizione 00.



Utilizzo di un modulo di alimentazione formato doppio :

-il modulo di alimentazione occupa sistematicamente le posizioni PS e 00, -gli altri moduli sono installati a partire dalla posizione 01.

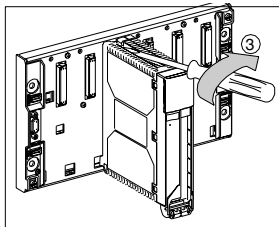
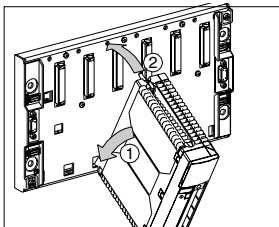


Montaggio dei moduli e delle morsettiere

Il montaggio/smontaggio dei moduli può essere eseguito con il rack sotto tensione **ad eccezione dei moduli alimentazione, processore e le schede di comunicazione PCMCIA.**

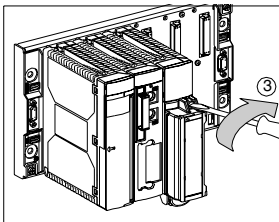
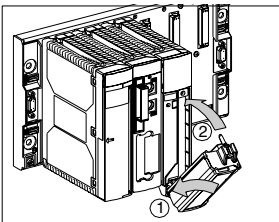
⚠ E' obbligatorio effettuare l'inserzione/estrazione di un modulo sotto tensione **tramite montaggio/smontaggio manuale delle viti e sconnessione della morsetteria o connettore HE10** e con l'alimentazione sensori/preattuatori scollegata se superiore a 48V.

• Montaggio dei moduli con morsetteria a vite



• Montaggio di una morsetteria a vite su un modulo

Il primo montaggio di una morsetteria a vite su un modulo necessita della codifica della morsetteria rispetto al modulo su cui è montata. Tale codifica si effettua per trasferimento di 2 inserti codificati del modulo sulla morsetteria. Il codice meccanico impedisce in seguito il montaggio della morsetteria così codificata su un modulo di un altro tipo.



Nota: quando si sostituisce un modulo installato su un rack con un altro modulo, la morsetteria a vite connessa al vecchio modulo è già provvista di inserti di codifica ad esso relativi. Possono verificarsi due situazioni:

- **Modulo non funzionante, da sostituire con un modulo dello stesso tipo:** per installare la morsetteria sul nuovo modulo, bisogna innanzitutto togliere gli inserti di codifica situati sul nuovo modulo prima di effettuare il montaggio della morsetteria,
- **Sostituzione di un modulo con un altro tipo di modulo:** estrarre i vecchi inserti di codifica situati sulla morsetteria prima di effettuare il montaggio secondo la procedura di cui sopra.

Costituzione di una stazione PLC con processore TSX P57

A partire da rack standard TSX RKY 6/8/12
I rack standard permettono di costituire una stazione PLC limitata a **un solo rack**

• **A partire da rack di estensione TSX RKY 4EX/6EX/8EX/12EX**

I rack di estensione permettono di costituire una stazione PLC che può includere al massimo:

Stazione TSX P57 10:

-2 racks TSX RKY 12EX,

-4 racks TSX RKY 4EX/6EX/8EX.

Stazione TSX P57 20/57 30/57 40:

-8 racks TSX RKY 12EX,

-16 racks TSX RKY 4EX/6EX/8EX.

Una stessa stazione può disporre di rack a 4, 6, 8 e 12 slot, collegati tra di loro con degli appositi cavi di estensione BusX (riferimento 1). Il BusX deve essere adattato a ciascuna delle sue estremità con una terminazione di linea (riferimento 2).

-Cavi di estensione BusX

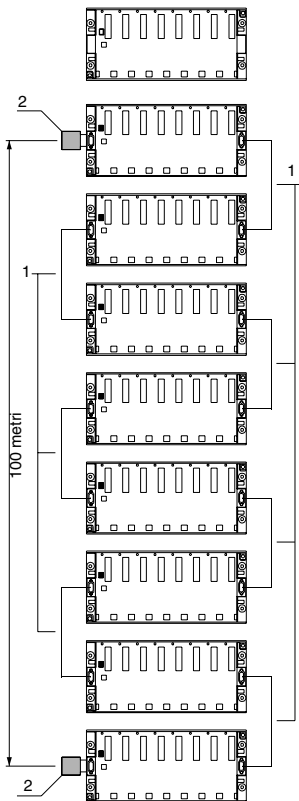
Il collegamento tra rack viene effettuato tramite cavi TSX CBY ●●0K connessi con un connettore SUB D 9 pin situato a sinistra e destra di ogni rack di estensione. Dato che non esiste un concetto di arrivo e partenza per dei connettori SUB D 9 pin, l'arrivo di un cavo proveniente da un rack o la partenza verso un altro rack può essere fatta sia dal connettore di destra che da quello di sinistra.

-Terminazione di linea

I due rack situati alle estremità del Bus X devono avere **obbligatoriamente** sul connettore non utilizzato una terminazione di linea TSX TLYEX indicata da A/ e /B.

-Lunghezza massima dei cavi

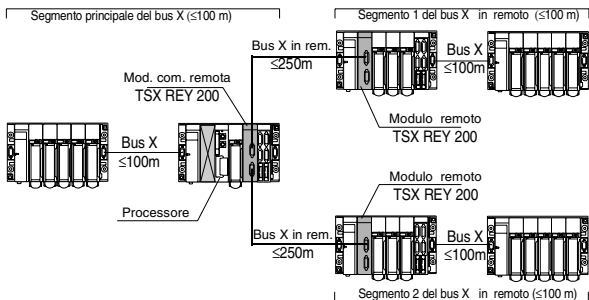
La lunghezza totale dell'insieme dei cavi TSX CBY ●●0K utilizzati in una stazione PLC non deve mai superare i 100 metri.



Se una stazione PLC TSX P57 necessita di distanze tra i rack superiori a 100 metri, un modulo di bus X remoto (TSX REY 200) consente, a partire dal rack che supporta il processore, l'installazione dei due segmenti del bus X a una distanza massima di 250 metri; ogni segmento del bus X può avere una distanza massima di 100 metri.

Il numero massimo dei rack della stazione è identico a quello di una stazione senza modulo remoto:

- Stazione TSX P57 10:
-2 rack TSX RKY 12EX,
-4 rack TSX RKY 4EX/6EX/8EX.
- Stazione TSX P57 20/57 30/57 40:
-8 rack TSX RKY 12EX,
-16 rack TSX RKY 4EX/6EX/8EX.



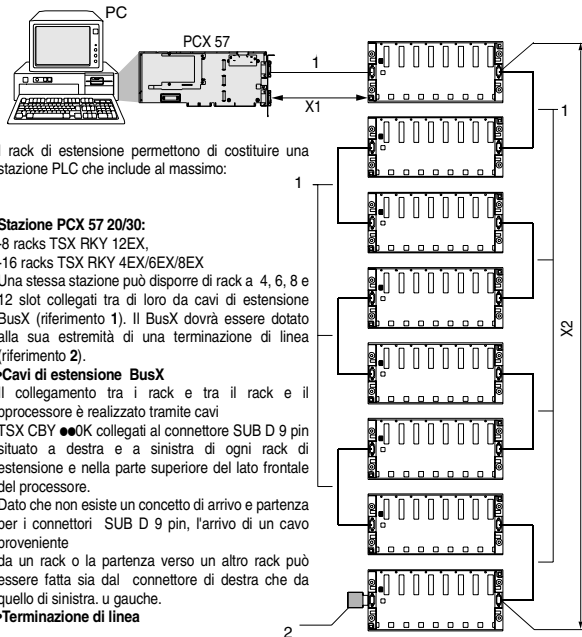
La procedura per l'installazione in remoto del bus X è descritta nelle Istruzioni d'uso allegate al modulo TSX REY 200.

Terminologia

- Stazione TSX 57 10: stazione dotata di processore TSX P57 10*/15*
- Stazione TSX 57 20: stazione dotata di processore TSX P57 20*/25*/2*23
- Stazione TSX 57 30: stazione dotata di processore TSX P57 30*/35*/3623
- Stazione TSX 57 40: stazione dotata di processore TSX P57 45*/4823

Costituzione di una stazione PLC con processore PCX 57

In questo caso la stazione PLC viene costituita a partire dai rack di estensione TSX RKY 4EX/6EX/8EX/12EX.



I rack di estensione permettono di costituire una stazione PLC che include al massimo:

Stazione PCX 57 20/30:

-8 racks TSX RKY 12EX,

-16 racks TSX RKY 4EX/6EX/8EX

Una stessa stazione può disporre di rack a 4, 6, 8 e 12 slot collegati tra di loro da cavi di estensione BusX (riferimento 1). Il BusX dovrà essere dotato alla sua estremità di una terminazione di linea (riferimento 2).

•Cavi di estensione BusX

Il collegamento tra i rack e tra il rack e il processore è realizzato tramite cavi TSX CBY ●●0K collegati al connettore SUB D 9 pin situato a destra e a sinistra di ogni rack di estensione e nella parte superiore del lato frontale del processore.

Dato che non esiste un concetto di arrivo e partenza per i connettori SUB D 9 pin, l'arrivo di un cavo proveniente

da un rack o la partenza verso un altro rack può essere fatta sia dal connettore di destra che da quello di sinistra. u gauche.

•Terminazione di linea

Il rack situato all'estremità del concatenamento deve **obbligatoriamente** avere sul connettore non utilizzato una terminazione di linea TSX TLYEX indicata da /B.

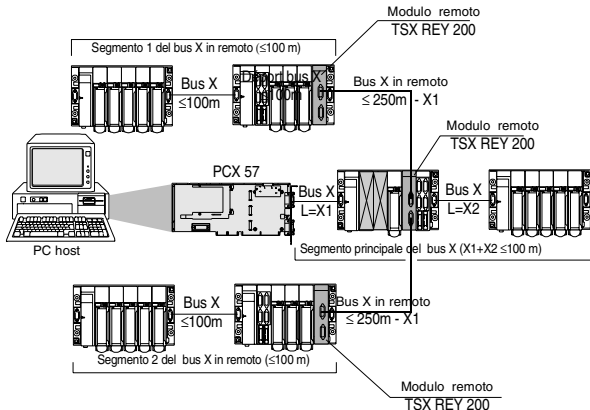
All'origine, il processore PCX 57 è predisposto per essere installato all'inizio della linea, per cui integra già il dispositivo di terminazione della linea A/.

•Lunghezza massima dei cavi: la lunghezza totale ($X1 + X2$) dell'insieme dei cavi TSX CBY ●●0K utilizzato in un PLC non deve mai essere superiore a 100 metri.

Se una stazione PLC PCX 57 necessita di distanze tra i rack superiori a 100 metri, un modulo di bus X remoto (TSX REY 200) consente, a partire dal rack che supporta virtualmente il processore, l'installazione dei due segmenti del bus X a una distanza massima di 250 metri; ogni segmento del bus X può avere una distanza massima di 100 metri.

Il numero massimo di rack della stazione resta identico a quello di una stazione senza modulo per l'installazione a distanza:

- Stazione PCX 57 20/30:
-8 rack TSX RKY 12EX,
-16 rack TSX RKY 4EX/6EX/8EX.



La procedura per l'installazione in remoto del bus X è descritta nelle Istruzioni d'uso allegate al modulo TSX REY 200.

Terminologia

- Stazione PCX 57 20: stazione dotata di processore TPCX 57 203
- Stazione PCX 57 30: stazione dotata di processore TPCX 57 353

Cavi di estensione BusX

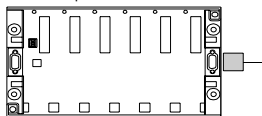
•Cavi d'estensione BusX: TSX CBY ●●0K (●●≥ 02)

Questi cavi, di lunghezza predeterminata, permettono il concatenamento dei rack di estensione TSX RKY ●●EX. Se si utilizza un processore PCX 57, essi permettono anche il raccordo tra il processore integrato al PC e il primo rack della stazione. Essi dispongono ad ogni estremità di un connettore SUB D 9 pin.

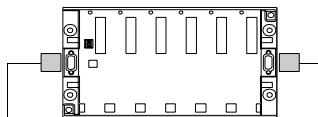
Nota: questi cavi non trasportano tensioni di alimentazione, in quanto ogni rack dispone del proprio modulo di alimentazione.

Références	Longueurs
TSX CBY 010K (●● ≥ 02)	1 metro
TSX CBY 030K (●● ≥ 02)	3 metri
TSX CBY 050K (●● ≥ 02)	5 metri
TSX CBY 120K (●● ≥ 02)	12 metri
TSX CBY 180K (●● ≥ 02)	18 metri
TSX CBY 280K (●● ≥ 02)	28 metri
TSX CBY 380K (●● ≥ 02)	38 metri
TSX CBY 500K (●● ≥ 02)	50 metri
TSX CBY 720K (●● ≥ 02)	72 metri
TSX CBY 1000K (●● ≥ 02)	100 metri

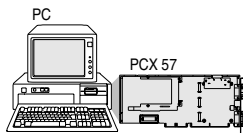
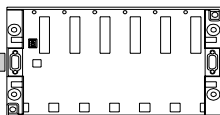
Station avec processeur TSX P57



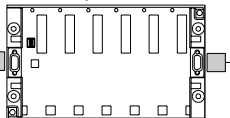
TSX CBY ●●0K



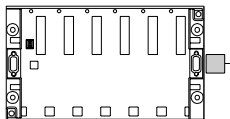
TSX CBY ●●0K



Stazione con processore PCX 57



TSX CBY ●●0K



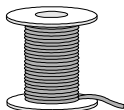
⚠ La lunghezza totale dell'insieme dei cavi utilizzati in una stazione PLC non deve mai essere superiore a 100 metri.

⚠ L'operazione di installazione o di disinstallazione di un cavetto TSX CBY ●●0K deve essere svolta obbligatoriamente con l'insieme dei rack della stazione fuori tensione.

•Cavi d'estensione Bus X: TSX CBY 1000 (bobina di lunghezza 100 metri)

Per lunghezze di Bus X tra due rack inferiori a 100 metri, ma diverse da quelle proposte precostituite con connettori, utilizzare obbligatoriamente il cavo TSX CBY 1000. Questo cavo deve essere predisposto ad ogni capo con dei connettori di raccordo TSX CBY K9, a montaggio utente. La procedura di montaggio è descritta nelle Istruzioni d'uso che accompagnano cavi e connettori. La messa in opera del cavo richiede la disponibilità dei seguenti elementi:

-Una bobina di cavo TSX CBY 1000 con due dispositivi di prova per collaudare il cavo dopo la realizzazione dei diversi raccordi.



Bobina



Disp. test



Connettori
TSX CBY K9

Un lotto di 2 connettori 9 pin TSX CBY K9 con diversi accessori.

-Un kit TSX CBY ACC10 che contiene 2 pinze crimp e un estrattore di contatti da utilizzare in caso di errore.



TSX CBY ACC10

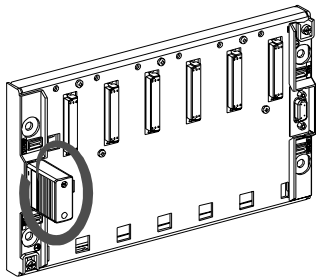


Terminazione di linea TSX TLYEX

Se si utilizzano rack di estensione, il Bus X deve essere dotato, a ciascuna estremità, di una terminazione di linea costituita da un connettore SUB D 9 pin e da un coperchietto per coprire gli elementi di adattamento. Questa terminazione di linea si monta sul connettore SUB D 9 pin non utilizzata dai rack di estensione posti a fine linea.

Le terminazioni di linea TSX TLY EX sono vendute per quantità indivisibili di 2 e indicate con A/ e /B. Il bus deve disporre obbligatoriamente di una terminazione A/ ad una delle sue estremità e una terminazione /B all'altra estremità senza un ordine predefinito.

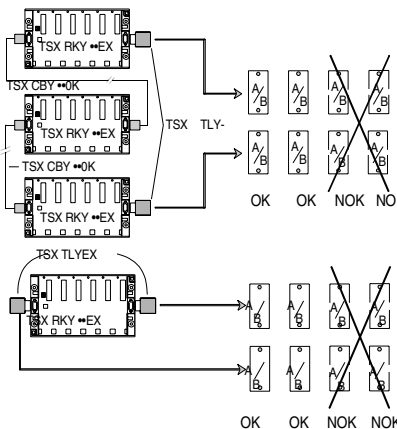
⚠ L'installazione o la disinstallazione di una terminazione di linea deve essere svolta obbligatoriamente con l'insieme del rack della stazione fuori tensione.



•Posizionamento delle terminazioni di linea su una stazione PLC con processore TSX P57

-su una stazione PLC che dispone di più rack di estensione TSX RKY ••EX.

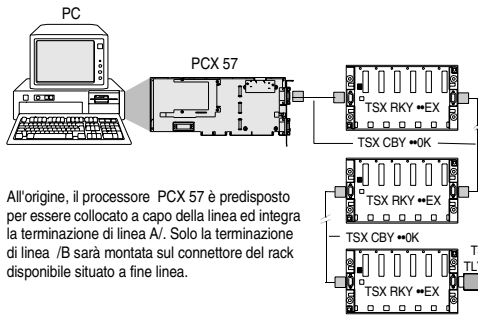
-su una stazione PLC che dispone di un solo rack di estensione.



-su una stazione PLC che dispone di un solo rack di estensione.

In questo caso è obbligatorio montare una terminazione di linea su ogni connettore SUB D 9 pin del rack.

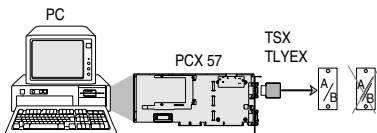
•Posizionamento delle terminazioni di linea su una stazione PLC con processore PCX 57



All'origine, il processore PCX 57 è predisposto per essere collocato a capo della linea ed integra la terminazione di linea A/. Solo la terminazione di linea /B sarà montata sul connettore del rack disponibile situato a fine linea.

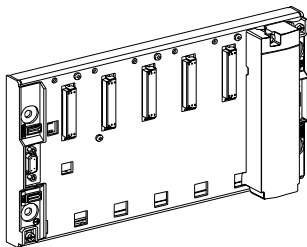
Caso particolare:

Nel caso in cui nessun elemento sia raccordato sul connettore del Bus X del processore, la terminazione di linea /B deve essere installata **obbligatoriamente** su questo connettore.



Coperchietto di protezione di una posizione non occupata

Una posizione non occupata su un rack deve essere protetta con l'apposito coperchietto.



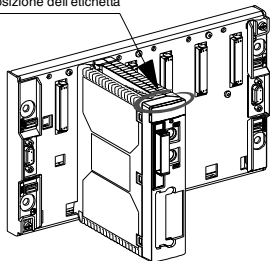
Identificazione

•Identificazione delle posizioni dei moduli sul rack

Ogni rack dispone di un foglio di etichette adesive che permettono di identificare la posizione di ogni modulo.

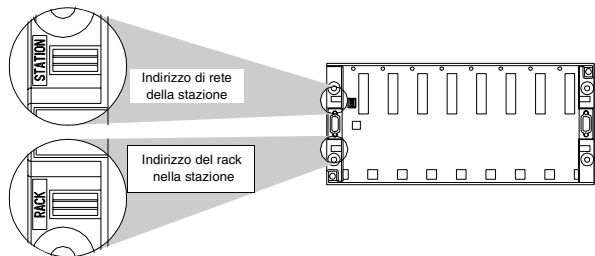
PS	00	01	02	03	04	05	06
07	08	09	10	11	12	13	14

Posizione dell'etichetta



•Identificazione del rack

Ogni rack è consegnato con un lotto di spinette inseribili di riferimento che permettono di identificare l'indirizzo del rack nella stazione e l'indirizzo di rete della stazione.



Presentazione

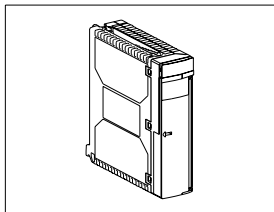
I moduli di alimentazione TSX PSY ●●●● procurano la corrente necessaria al funzionamento dei moduli installati su ogni rack TSX RKY ●●●. Ogni rack dispone del proprio modulo di alimentazione. Per rispondere ai vari bisogni, sono disponibili vari tipi di moduli:

- Moduli per rete a corrente alternata 110-220VCA formato standard e formato doppio,
- Moduli per rete a corrente continua 24 VCC non isolata formato standard e doppio,
- Moduli per rete a corrente continua 24...48 VCC isolata formato doppio.

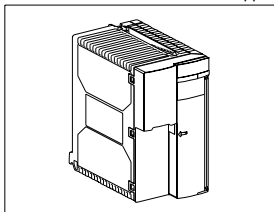
Inoltre ogni modulo dispone di funzioni ausiliarie come:

- Un blocco di visualizzazione,
- Un relè d'allarme,
- Un alloggiamento per una batteria per la salvaguardia dei dati in memoria RAM interna del processore,
- Un pulsante a punta di matita che simula, se azionato, un'interruzione di elettricità, provocando un riavvio a caldo dell'applicazione,
- Alimentazione sensori 24 VCC (solo sui moduli alimentati a partire da una rete a corrente alternata).

Moduli formato standard



Moduli formato doppio



Catalogo

Formato modulo	Tensione di rete alimentazione	Potenza utile totale	Alimentazione sensori	Modelli
standard	100...240VCA	26W	24VCC / 0.6A	TSX PSY 2600
doppio	100...120VCA	50W	24VCC / 0.8A	TSX PSY 5500
	200...240VCA	77/85/100W (1)	24VCC / 1.6A	TSX PSY 8500
standard	24 VCC	26W	-	TSX PSY 1610
doppio	24 VCC	50W	-	TSX PSY 3610
doppio	24...48 VCC	50W	-	TSX PSY 5520

(1) 77W à 60°C, 85W à 55°C, 100W à 55°C con rack ventilato

Descrizione fisica

1 Blocco visualizzazione comprendente :

- spia OK (verde), accesa se il funzionamento è normale,
- spia BAT (rossa), accesa se la batteria è s carica o assente,
- spia 24V (verde), accesa se la tensione del sensore è presente e corretta. La spia è presente unicamente sul TSX PSY 2600/5500/8500.

2 Pulsante RESET a punta di matita. Provoca un riavvio a caldo se azionato.

3 Alloggiamento per batteria di backup memoria RAM interna del processore.

4 Sportellino di protezione del lato anteriore del modulo.

5 Morsettieria a vite per il raccordo:

- alla rete di alimentazione,
- del contatto del relé allarme,
- dell'alimentazione sensore per i moduli alimentati con corrente alternata TSX PSY 2600/5500/8500.

6 Fessura che permette il passaggio di una ghiera di serraggio dei cavi.

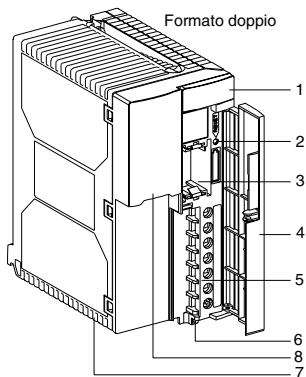
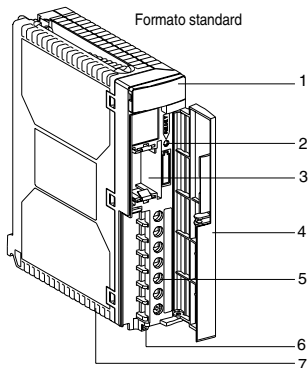
7 Fusibile situato sotto il modulo che assicura la protezione:

- della tensione 24 VR sul modulo di alimentazione non isolato TSX PSY 3610,
- della tensione primaria sul modulo di alimentazione a corrente continua non isolato TSX PSY 1610.

Nota: nelle alimentazioni TSX PSY 2600/5500/5520/8500, il fusibile di protezione della tensione primaria è interno al modulo e non accessibile.

8 Selettore di tensione 110/220, presente unicamente sul modulo di alimentazione TSX PSY 5500/8500.

Alla consegna, tale selettore è posizionato su 220.

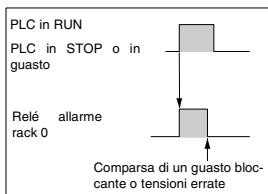


Funzioni ausiliarie

Relé d' allarme: situato in ogni modulo di alimentazione, questo relé dispone di un contatto libero di potenziale accessibile sulla morsettiera di raccordo del modulo.

-Relé d'allarme del modulo situato sul rack che supporta il processore (rack 0):

Durante il normale funzionamento (PLC in RUN), il relé è attivato e il suo contatto è chiuso (stato 1). Ad ogni arresto anche parziale, all'apparizione di un guasto bloccante, con tensioni di uscita errate o scomparsa della tensione di rete, il relé cade e si apre il contatto (stato 0).



Nota: con un processore di tipo PCX 57, il relé d'allarme non è gestito e rimane quindi sempre aperto. Se questa funzione è indispensabile al buon funzionamento dell'installazione, il relé può essere sostituito con l'uso di un'uscita a relé di un modulo posto sul Bus X o sul bus FIPIO. In questo caso, l'uscita dovrà essere un'uscita a relé configurata con un riposizionamento di sicurezza a 0 e inizializzata allo stato 1, all'inizio dell'esecuzione del programma applicativo.

- Relé d'allarme dei moduli situati su altri rack (rack 1 - 7):

In questo caso, se il modulo di alimentazione è messo sotto tensione e se le tensioni di uscita sono corrette, il relé è attivato e il contatto chiuso (stato 1). Se si interrompe la tensione di rete o se le tensioni d'uscita sono errate, il relé si apre (stato 0).

Questi modi di funzionamento permettono l'utilizzazione di tali contatti in circuiti esterni con sicurezza positiva, come ad esempio l'asservimento delle alimentazioni dei preattuatori.

•**Batteria di backup:** garantisce il salvataggio della memoria interna RAM del processore TSX/PMX 57. La batteria è consegnata con il modulo e adeguatamente imballata, per cui spetta all'utente installarla rispettando le polarità.

-Caratteristiche della batteria: litio cloruro di tionile, 3,6V / 0,8 Ah, capacità 1 / 2AA.

-Codice parte di ricambio: TSX PLP 01.

-Controllo dello stato della batteria: in condizione di guasto si accende la spia BAT. In questo caso, sostituirla immediatamente.

-Durata del backup con la batteria:

Temperatura ambiente a riposo		≤30°C	40°C	50°C	60°C
Tempo di salvataggio	PLC fuori tensione 12ore/giorno	5 anni	3 anni	2 anni	1 anno
	PLC fuori tensione 1ora/giorno	5 anni	5 anni	4,5 anni	4 anni

Autonomia del salvataggio durante la sostituzione della batteria: la sostituzione deve effettuarsi con il modulo sotto tensione o subito dopo aver tolto la tensione. In quest'ultimo caso, il tempo di intervento è limitato. Dopo un certo tempo, i dati in memoria RAM possono essere persi.

Temperatura ambiente fuori tensione		20°C	30°C	40°C	50°C
Tempo di salvataggio		2h	45mn	20mn	8mn

Nota: con un processore PCX 57, non serve installare una batteria nell'alimentazione del rack che accoglie virtualmente il processore (rack d'indirizzo 0). In questo caso la batteria che garantisce il salvataggio della memoria RAM interna del processore è montata su quest'ultimo.

•**Visualizzazione:** 3 spie (OK, BAT, 24V) sui moduli TSX PSY 2600/5500 /8500 e 2 spie (OK, BAT) sui moduli TSX PSY 1610/3610/5520.



-spia OK (verde): accesa durante il funzionamento normale,

spenta con tensioni di uscita escluse o non corrette,

-spia BAT (rossa): accesa in caso di batteria mancante, esaurita, non conforme o con polarità invertita e spenta durante il funzionamento normale,

-spia 24V (verde): accesa durante il funzionamento, spenta in assenza di tensione di 24V ai sensori.

•**Pulsante RESET:** premendo e rilasciando questo pulsante si provoca un riavvio a caldo dell'applicazione.

•**Alimentazione dei sensori:** disponibile sulle applicazioni a corrente alternata TSX PSY 2600/5500/8500, consente l'alimentazione a 24 VCC dei sensori.

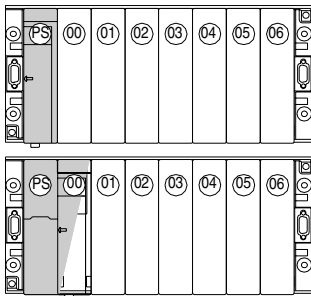
Installazione / montaggio

•Installazione

-I moduli di alimentazione a formato standard TSX PSY 2600/1610 si installano nel primo alloggiamento di ogni rack TSX RKY ●●● e occupano la posizione PS,

-I moduli di alimentazione a formato doppio TSX PSY 3610/5500/5520/8500 si installano nei due primi alloggiamenti di ogni rack TSX RKY ●●● e occupano le posizioni PS e 00.

Nota: i moduli di alimentazione sono dotati di un dispositivo anti-errore che permette la loro installazione solo negli alloggiamenti qui indicati.



•**Montaggio:** (vedere capitolo "montaggio dei moduli" nel presente documento)

⚠ Un modulo di alimentazione TSX PSY ●●●● deve essere montato o smontato escludendo la tensione delle alimentazioni esterne.

Caratteristiche

•Alimentazioni non isolate per rete a corrente continua

Riferimento moduli		TSX PSY 1610	TSX PSY 3610	
Primario	Tensioni nominali	24 VCC	24 VCC	
	Tensioni limite (1) (ondulazione inclusa)	19,2...30 VCC possib. fino a 34V durante 1H / 24 H		
	Corrente nominale assorbita	≤ 1,5 A a 24 V	≤ 2,7 A a 24 V	
	Messa sotto	I richiamo	≤ 100 A a 24 V	≤ 150 A
	tensione inziale a 25°C (2)	I _t all'innesco	0,2 As a 24 V	0,5 As a 24 V
		I _{pt} all'innesco	12,5 A ² s a 24 V	20 A ² s a 24 V
	Durata micro-interruzioni accettate	≤ 1 ms	≤ 1 ms	
Protezione integrata su ingresso+ per (fusibile situato sotto il modulo)	fusibile 5x20,UL non temporizzato, 3,5 A	non		
Secondario	Potenza utile totale	30 W	50 W	
	Uscita 5 VCC	Tensioni nominali	5 VCC	5,1 VCC
		Potenza	15 W	35 W
	Uscita 24VR (3) (24V relé)	Tensioni nominali	U primaria – 0,6V	U primaria – 0,6V
		Potenza	15 W	19 W
Protezione uscite contro (4)	sovraccarichi/cortocircuiti/sovratensioni			
Assorbimento		10 W	15 W	
Conformità alle norme		CEI 1131-2	CEI 1131-2	

- (1) Nel caso di alimentazione di moduli "uscite a relé" l'intervallo è ridotto a 21,6...26,4V.
 (2) Questi valori devono venire presi in considerazione per il dimensionamento dei dispositivi di protezione di linea a monte dell'alimentazione.
 (3) Uscita 24 V --- destinata all'alimentazione dei relé dei moduli "uscite a relé".
 (4) L'uscita 24 VR è protetta da un fusibile situato sotto il modulo (4 A, 5x20, tipo M).

•Alimentazioni isolate per rete a corrente continua (continua)

Riferimento moduli		TSX PSY 5520	
Primario	Tensioni nominali		24...48 VCC
	Tensioni limite (ondulazione incl.)		19,2...60 VCC
	Corrente nominale assorbita		≤ 3 A à 24 V ≤ 1,5 A à 24 V
	Messa sotto tensione iniziale a iniziale 25°C (1)	I richiamo	≤ 15 Aà 24 V ≤ 15 Aà 24 V
		I _t all'innesco	7 As à 24 V 6 As à 48 V
		I _{pt} a ll'innesco	50 A ² s à 24 V 55 A ² s à 48 V
Durata micro-interruzioni accettate		≤ 1 ms	
Protezione integrata all'ingresso+		per fusibile interno, non accessibile	
Secondario	Potenza utile totale		50 W
	Uscita 5 VCC	Tensioni nominali	5,1 VCC
		Potenza	35 W
	Uscita 24VR (2) (24V relé)	Tensioni nominali	24VCC
		Potenza	19 W
Protezione uscite controsovraccarichi/cortocircuiti/sovratensioni			
Assorbimento		20 W	
Conformità alle norme		CEI 1131-2	
Isolamento	Tenuta dielettrica	primaria/secondaria	2000V eff - 50/60 Hz - 1mn
		primaria/terra	2000V eff - 50/60 Hz - 1mn

(1) Questi valori devono venire presi in considerazione per il dimensionamento dei dispositivi di protezione di linea a monte dell'alimentazione.

(2) Uscita 24 V --- predisposta all'alimentazione dei relé dei moduli "uscite a relé".

•Contatto del relé allarme

Tensione limite d'utilizzo		19...264VCA		10...30VCC	
Carica corrente alternata	Tensioni usuali	24 VCA	48 VCA	110 VCA	220 VCA
	Potenza su carica resistiva	50 VA	50 VA	110 VA	220 VA
	Potenza su carica induttiva	50 VA	50 VA	110 VA	220 VA
Carica corrente continua	Tensioni usuali	24 VCC			
	Potenza su carica resistiva o induttiva	24W			
Isolamento	contatto/massa	2000 Veff - 50/60 Hz - 1 mn			
Protezioni da integrare ai limiti della carica		RC o MOV in ~, diodo di scarica in ---			

(1) Possibile fino a 34 VCC durante 1 ora per 24 ore

•Alimentazioni per rete a corrente alternata

Riferimento moduli			TSX PSY 2600	TSX PSY 5500
Primario	Tensioni nominali		100...240VCA	100...120/ 200...240VCA
	Tensioni limite		85...264VCA	85...140/ 190...264VCA
	Frequenza nominale/limite		50-60/47-63Hz	
	Potenza apparentee		50VA	
	Corrente nominale assorbita		≤ 0,5 A à 100 V ≤ 0,3 A à 240 V	≤ 1,7 A à 100 V ≤ 0,5 A à 240 V
	Messa sotto tensione iniziale a 25°C (1)	I richiamo	≤ 37 A à 100 V ≤ 75 A à 240 V	≤ 38 A à 100V ≤ 38 A à 100V
		I _t all'innesco	0,034 As à 100 V 0,067 As à 240 V	0,11 As à 100 V 0,11 As à 240 V
		I ² t all'innesco	0,63 A ² s à 100 V 2,6 A ² s à 240 V	4 A ² s à 100 V 2 A ² s à 240 V
	Durata micro-interruzioni accettate		≤ 10 ms	≤ 10 ms
	Protezione integrata su fase per fusibile interno, non accessibile			
Secondario	Potenza utile totale		26 W	50 W
	Uscita 5 VCC	Tensioni nominali	5,1 VCC	5,1 VCC
		Potenza	25 W	35 W
	Uscita 24VR (2)	Tensioni nominali	24 VCC	24 VCC
		Potenza	15 W	19 W
	Uscita 24VC (3)	Tensioni nominali	24 VCC	24 VCC
		Potenza	12 W	19 W
Protezione uscite controsovaccarichi/cortocircuiti/sovratensioni				
Assorbimento			10 W	20 W
Conformità alle norme			CEI 1131-2	CEI 1131-2
Isolamento	Tenuta dielettrica	rimaria/secondaria	2000V eff - 50/60 Hz - 1mn	
		primaria/terra	2000V eff - 50/60 Hz - 1mn	

- (1) Questi valori devono essere presi in considerazione per il dimensionamento dei dispositivi di protezione di linea a monte dell'alimentazione.
- (2) Uscita 24 V --- destinata all'alimentazione dei relé dei moduli "uscite a relé".
- (3) Uscita 24 V --- destinata all'alimentazione dei sensori. Non può venire messa in parallelo con un'alimentazione esterna.

•Alimentazioni per rete a corrente alternata (continua)

Riferimento moduli			TSX PSY 8500
Primario	Tensioni nominali		100...120/200...240VCA
	Tensioni limite		85...140/170...264VCA
	Frequenza nominale/limite		50-60/47-63Hz
	Potenza apparente		150VA
	Corrente nominale assorbita		≤ 1,4 A a 100 V ≤ 0,5 A a 240 V
	Messa sotto tensione iniziale a 25°C (1)	I richiamo	≤ 30 A a 100 V ≤ 60 A a 240 V
		I _t all'innesco	0,15 As a 100 V 0,15 As a 240 V
		I ² t all'innesco	15 A ² s a 100 V 8 A ² s a 240 V
	Durata micro-interruzioni accettate		≤ 10 ms
Protezione integrata su fase per fusibile interno, non accessibile			
Secondario	Potenza utile totale		77/85/100 W (2)
	Uscita 5 VCC	Tensione nominale	5,1 VCC
		Potenza	75 W
	Uscita 24VR (3)	Tensione nominale	non fornita
		Potenza	non fornita
	Uscita 24VC (4)	Tensione nominale	24 VCC
		Potenza	38 W
Protezione uscite contro sovraccarichi/cortocircuiti/sovratensioni			
Assorbimento			20 W
Conformità alle norme			CEI 1131-2
Isolamento	Tenuta dielettrica	primaria/secondaria	2000V eff - 50/60 Hz - 1mn
		primaria/terra	2000V eff - 50/60 Hz - 1mn

- (1) Questi valori devono essere presi in considerazione per il dimensionamento dei dispositivi di protezione di linea a monte dell'alimentazione.
- (2) 77W a 60°C, 85W a 60°C, 100W a 55°C con rack ventilato per moduli ventilazione TSX FAN •
- (3) Uscita 24 V --- non fornita con questa alimentazione. Il montaggio dei moduli di uscite a relé di conseguenza non è ammesso sui rack che dispongono di questo modulo di alimentazione.
- (4) Uscita 24 V --- destinata all'alimentazione dei sensori. Non può essere messa in parallelo con un'alimentazione esterna.

•Condizioni di servizio dei PLC Premium

Funzionamento

Temperatura ambientale di funzionamento	0°C...60°C
Umidità relativa	10% à 95% (senza condensa)
Altitudine	0 à 2000 metri

Stoccaggio

Temperatura di stoccaggio	- 25°C a + 70°C
Umidità relativa	5% à 95° (senza condensa)

Regole dei collegamenti

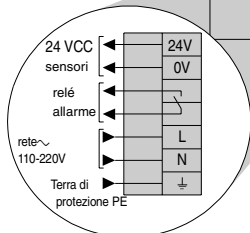
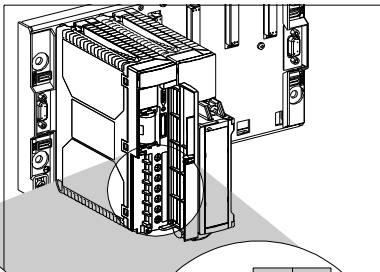
•**Collegamenti:** la morsettiera dei moduli di alimentazione è dotata di morsetti a vite con staffetta anti-caduta che consentono il raccordo di 1 filo di sezione massima di 2,5mm² o di 2 fili di sezione di 1,5 mm² con capicorda. L'uscita dei fili avviene verticalmente verso il basso; i fili possono essere tenuti insieme da un serracavo. Per le alimentazioni a corrente continua, limitare la lunghezza del cavo di raccordo alla rete, al fine di prevenire eventuali perdite in linea (vedere sotto).

Riferimento moduli	Lunghezza cavi
TSX PSY 1610	30 m. (60 metri andata/ritorno) con filo di rame di 2,5 mm ² 20 m. (40 metri andata/ritorno) con filo di rame di 1,5 mm ²
TSX PSY 3610/5520	15 m. (30 metri andata/ritorno) con filo di rame di 2,5 mm ² 10 m. (20 metri andata/ritorno) con filo di rame di 1,5 mm ²

•**Coppia di serraggio delle viti a staffetta sulla morsettiera:** 0.8 N.m max.

•**Protezioni:** prevedere un dispositivo di protezione e di interruzione della alimentazione a monte della stazione PLC

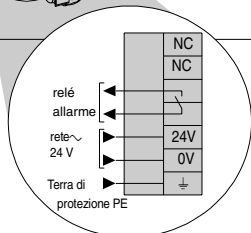
Nota: poiché le alimentazioni a corrente continua hanno una forte corrente di richiamo, si consiglia di utilizzarle su reti a corrente continua con protezione di limitazione di corrente di ritorno (fold back).



Alimentazione per rete a corrente alternata:

TSX PSY 2600/5500/8500

⚠ TSX PSY 5500/8500: posizionare il selettore di tensione in funzione della tens. di rete disponibile 110 o 220 VAC 110 ou 220 VCA

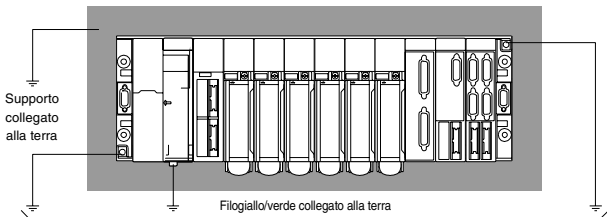


Alimentazione per rete a corrente continua:

TSX PSY 1610/3610/5520

(1) 24...48 VCC per l'alimentazione TSX PSY 5520

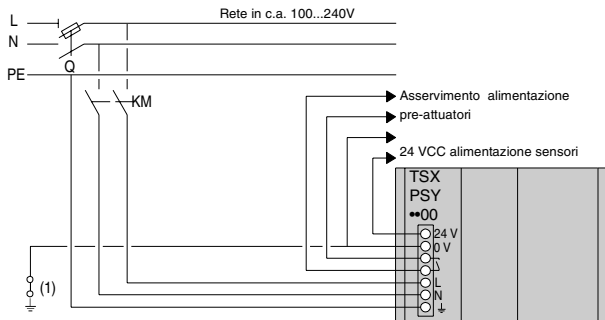
Messa a terra dei rack



Importante : Lo 0V interno è collegato alla massa, la quale a sua volta deve essere collegata alla terra.

Connessione delle alimentazioni

•Moduli TSX PSY 2600 / 5500 / 8500



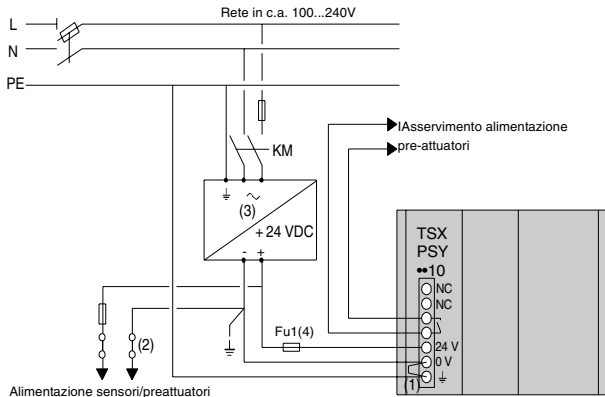
Q: Sezionatore generale.

KM: Contattore di linea o disgiuntore.

Queste alimentazioni sono fornite all'origine con un fusibile di protezione in serie con l'ingresso L, situato all'interno del modulo e non accessibile.

(1) Barretta d'isolamento per ricerca di un difetto della messa a terra.

•Moduli di alimentazione non isolati TSX PSY 1610 / 3610

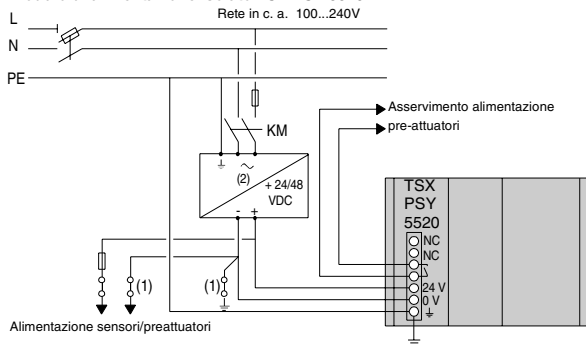


Q: Sezionatore generale.

KM: Contattore di linea o disgiuntore.

- (1) Shunt esterno fornito con il modulo di alimentazione
- (2) Barretta d'isolamento per la ricerca di un difetto della messa a terra. E' necessario in questo caso togliere l'alimentazione per scollegare la rete dalla massa.
- (3) Possibilità di utilizzare un'alimentazione processo TSX SUP 1●●1
- (4) Fusibile di protezione esterna (4 A, tipo temporizzato) unicamente sul modulo TSX PSY 3610. Il modulo TSX PSY 1610 è fornito all'origine con un fusibile di protezione (3,5A, 5x20, UL, tipo temporizzato), situato sotto il modulo e in serie con l'ingresso a 24V.

•Modulo di alimentazione isolato TSX PSY 5520



Q:Sezionatore generale.

KM:Contattore di linea o disgiuntore.

(1) Barretta d'isolamento per la ricerca di un difetto della messa a terra

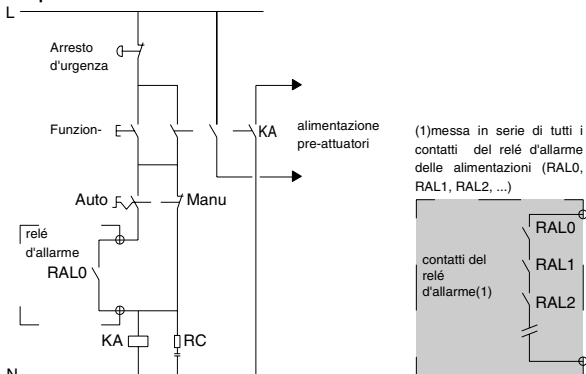
(2) Possibilità di utilizzare un'alimentazione processo TSX SUP 1●●1

Il modulo TSX PSY 5520 è fornito all'origine con un fusibile di protezione in serie con l'ingresso a 24V, situato all'interno del modulo e non accessibile.

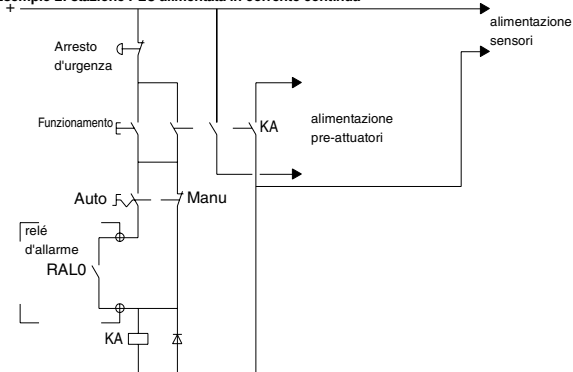
Connessioni del relè d'allarme

Asservimento delle alimentazioni sensori e preattuatori

• Esempio 1: stazione PLC alimentata in corrente alternata



• Esempio 2: stazione PLC alimentata in corrente continua



Presentazione

È disponibile una vasta gamma di processori, con prestazioni e capacità crescenti, mirata a soddisfare le diverse esigenze degli utenti.

I processori TSX 57 sono integrabili sui rack TSX RKY**.

I processori TSX gestiscono l'insieme di una stazione PLC costituita da moduli di I/O digitali, moduli analogici e moduli di funzione specifica (conteggio, comando d'asse, comando passo passo, comunicazione, ecc...) che sono ripartiti su uno o più rack collegati al Bus X.

Ogni processore integra:

- una memoria RAM interna salvata che può ricevere il programma applicativo ed essere estesa per mezzo di una scheda di estensione memoria PCMCIA (RAM o FLASH EPROM),
- un orodatario,
- 2 porte o prese terminale (TER e AUX), (unicamente TER per i TSX P57 554/5634), che permettono di raccordare simultaneamente più apparecchiature (terminale di programmazione, pannello di dialogo operatore, ecc.),
- uno slot per una scheda di comunicazione PCMCIA (Modbus+, FIPWAY, FIPIO Agent, UNITELWAY, collegamento seriale),
- una connessione FIPIO master sui TSX P57 *5* e TSX P57 *8**,
- una connessione Ethernet sui TSX P57 **23 et TSX P57 **34,
- una connessione USB sui TSX P57 554/5634.

Un processore Premium può essere configurato e programmato dall'atelier software PL7 o Unity Pro, a seconda del codice di riferimento commerciale.

In generale, tutti i processori il cui codice di riferimento commerciale finisce con "3" sono programmati da PL7. Quelli il cui codice di riferimento commerciale finisce con "4" sono programmati da Unity Pro. È possibile, tuttavia, eseguire gli aggiornamenti di livello di alcuni processori programmati da PL7 per essere programmati da Unity Pro.

Unity Pro costituisce una nuova generazione di atelier software che offre servizi operativi e di programmazione addizionali rispetto a PL7:

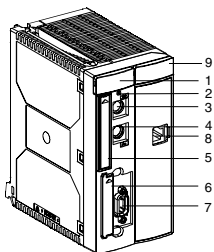
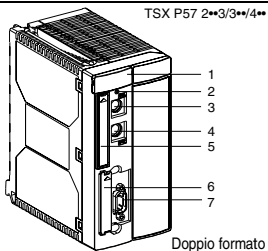
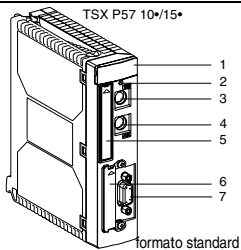
Un linguaggio aggiuntivo: il diagramma in blocchi funzione (FBD).

La possibilità di creare tipi di struttura (DDT) annidati tra loro.

La possibilità di annidare i DFB.

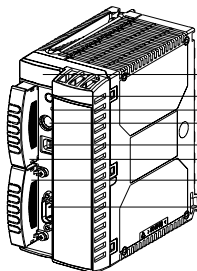
Infine, servizi complementari di diagnostica, come la ricerca della causa di un errore nella logica del programma.

Descrizione fisica

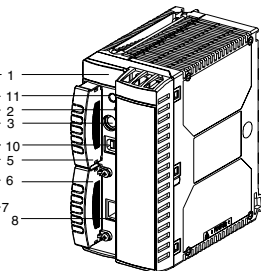


Doppio formato
(conconnessione Ethernet integra)

TSX P57 554
doppio formato



TSX P57 5634
doppio formato
(conconnessione Ethernet integra)



- 1** Blocco di visualizzazione che comprende 4 o 5 spie secondo il modello:
- spie RUN, ERR, I/O, TER su tutti i processori,
 - spia FIP sui processori equipaggiati di una connessione FIPIO master integrata (TSX P57 •5• e TSX P57 •8••).
 - spie STS, ACT, sui processori equipaggiati di una connessione Ethernet (TSX P57 •63• et TSX P57 •8••)
- 2** Pulsante RESET per punta fine che provoca il riavvio a freddo del PLC quando è azionato.
- Processore in funzionamento normale: riavvio a freddo in STOP o RUN, secondo la procedura definita in fase di configurazione.
 - Processore guasto: riavvio forzato in STOP.
- 3** Presa terminale: connettore TER (mini-DIN 8 punti). Permette il raccordo di un terminale di tipo FTX o compatibile PC, oppure il raccordo del modulo al bus Uni-Telway attraverso la scatola di isolamento TSX P ACC 01. Quest'ultima permette di alimentare a 5V la periferica a essa raccordata (nei limiti della corrente disponibile fornita dall'alimentazione).
- 4** Presa terminale: connettore AUX (mini-DIN 8 punti). Permette il raccordo di una periferica autoalimentata (terminale, pannello di dialogo operatore o stampante) (nessuna fornitura di corrente su questo connettore).
- 5** Slot per una scheda di memoria PCMCIA Tipo 1.
- Quando non è presente la scheda di memoria, questo slot dispone di una piastrina di copertura che è obbligatorio mantenere in posizione; se la si toglie si provoca l'arresto del processore.
- 6** Area assegnata per una scheda di comunicazione di formato PCMCIA tipo 3 che permette il raccordo al processore di un'uscita di comunicazione Fipway, Fipio Agent, Uni-Telway, collegamento seriale, Modbus, Modbus Plus, ...
- Quest'area puo anche accogliere una scheda di stoccaggio di file SRAM (per i processori TSX P57 554/5634).
- In caso di assenza di scheda di comunicazione, l'area assegnata é provvista di una piastrina di copertura.
- 7** Connettore SUB D a 9 pin per il raccordo del bus FIPIO master. Connettore presente solo sui processori TSX P57 •5• e TSX P57 •8••.
- 8** Connettore RJ 45 per il collegamento alla rete Ethernet. Questo connettore è presente solo sui processori TSX P57 ••23, TSX P57 ••34 e TSX P57 554.
- 9** Blocco di visualizzazione dell'ETY PORT che comprende 6 spie:
- spia RUN (verde), ERR (rossa), COL (rossa), STS (gialla), TX (gialla) e RX (gialla).
- 10** Porto USB. Consente di collegare un terminale di programmazione. Questo connettore è presente unicamente sui processori TSX P57 554/5634
- 11** Pulsante di richiesta di estrazione della scheda PCMCIA di stoccaggio di file SRAM.
- Questo pulsante deve essere pigiato prima di estrarre la carta, un led indica lo stato della richiesta.

Nota: il connettore (TER) e il connettore (AUX) propongono di default il modo di comunicazione Uni-Telway master a 19200 bauds e configurabili il modo Uni-Telway slave o ASCII.

•Installazione di un modulo processore dal formato standard

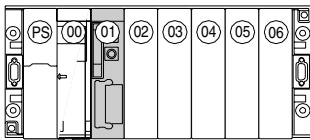
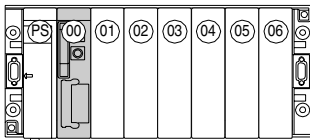
Il modulo processore TSX P57 dal formato standard si installa in un rack TSX RKY **, in posizione 00 o 01 secondo il tipo di modulo d'alimentazione utilizzato (formato standard o doppio formato):

-Se il rack è equipaggiato con un modulo d'alimentazione dal formato standard TSX PSY 1610/2600, il processore viene installato nella posizione 00 (posizione preferenziale)

o nella posizione 01, in questo caso la posizione 00 non è però disponibile.

-Se il rack è equipaggiato con un modulo d'alimentazione con il formato doppio TSX PSY 3610/5500/5520, 8500, il processore viene installato nella posizione 01.

! Il montaggio del modulo processore sul rack deve obbligatoriamente effettuarsi con l'alimentazione del rack FUORI TENSIONE..



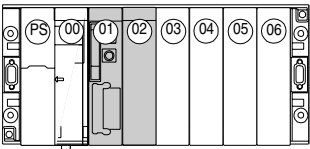
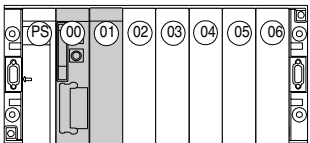
•Installazione di un modulo processore dal formato doppio

Il modulo processore TSX P57 a doppio formato si installa in un rack TSX RKY **, in posizione 00 o 01 secondo il tipo di modulo d'alimentazione utilizzato (formato standard o doppio formato):

- Se il rack è equipaggiato con un modulo d'alimentazione dal formato standard TSX PSY 1610/2600, il processore viene installato nelle posizioni 00 e 01 (posizioni preferenziali) o nelle posizioni 01 e 02, in questo caso la posizione 00 non è però disponibile.

- Se il rack è equipaggiato con un modulo d'alimentazione con il formato doppio TSX PSY 3610/5500/5520, 8500, il processore viene installato nella posizione 01 e nella posizione 02.

! Il montaggio del modulo processore sul rack deve obbligatoriamente effettuarsi con l'alimentazione del rack FUORI TENSIONE.



Per il montaggio dei moduli su rack, fare riferimento alle istruzioni relative ai rack.

Precauzioni

! Nel caso di sostituzione di un processore TSX 57 con un altro processore non vuoto (processore che è già stato programmato e contenente un'applicazione), è obbligatorio togliere l'alimentazione a tutti i dispositivi di comando della stazione PLC. Prima di ridare tensione, assicurarsi che il processore contenga effettivamente la nuova applicazione.

! Maneggiare i processori TSXP57 0244/1X4 con precauzione a causa della temperatura elevata (85°C) del dissipatore di calore integrato.

! Per i processori TSX P57 0244/104/154, il modulo affiancato al processore non deve avere un valore di dissipazione superiore a:

10W per una temperatura d'esercizio fino 60°C e

16W per una temperatura d'esercizio fino a 25°C.

Nel caso contrario il modulo dovrà essere installato in un altro alloggiamento del rack

•Porta Terminal e Aux

2 connettori mini-DIN a 8 pin (connessione RS 485 non isolata) consentono di raccordare rispettivamente:

-TER: un terminale di tipo FTX o compatibile PC oppure di collegare il PLC al bus UNI-TELWAY, attraverso una scatola di isolamento TSX P ACC 01. Questa presa fornisce l'alimentazione di 5 V destinata ad alimentare la periferica eventualmente collegata,

- AUX: un terminale di dialogo operatore o una stampante. Questa presa non fornisce l'alimentazione di 5 V.

Di default, le porte o prese "TER e AUX" offrono la modalità di comunicazione UNI-TELWAY master a 19200 baud e, con la configurazione, la modalità UNI-TELWAY slave o caratteri ASCII.

I cavi adatti a queste prese sono i cavi TSX PCX 1031 e TSX PCX 3030.

Porta USB

1 connettore di tipo serie "B" consente di collegare un terminale di programmazione.

La presa USB utilizza il protocollo USB V1.1 a 12 Mbit/s.

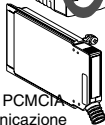
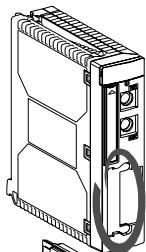
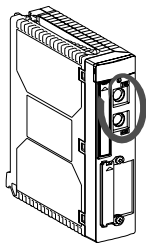
Il cavo di collegamento è il cavo XCA USB 033.

•Slot per scheda di comunicazione PCMCIA

Questo alloggiamento o slot, posto sul frontale del processore, permette di installare una scheda di comunicazione PCMCIA Tipo 3:

- TSX SCP 111: multiprotocollo RS 232 D,
- TSX SCP 112: multiprotocollo, loop di corrente 20 mA,
- TSX SCP 114: multiprotocollo RS 485, compatibile RS 422 isolata,
- TSX MBP 100: Modbus+,
- TSX FPP 10 / 20: FIPIO Agent / FIPWAY,
- TSX FPP 200 FIPWAY,
- FCS SCP 111: protocollo specifico con supporto RS 232,
- FCS SCP 114: protocollo specifico con supporto RS 485,
- TSX CPP 100/110: CAN OPEN.

! L'installazione / disinstallazione di una scheda di comunicazione deve essere effettuata con il processore FUORI TENSIONE.



Scheda PCMCIA di comunicazione

•Memoria RAM interna

Questa memoria riceve l'applicazione (dati, programma e costanti) e la sua capacità varia secondo il tipo di processore.

Se la dimensione dell'applicazione è superiore alla capacità della RAM, è possibile espandere la memoria con una scheda di estensione PCMCIA. In questo caso, il programma e le costanti vengono memorizzate nella scheda PCMCIA e i dati nella RAM interna.

La memoria RAM interna viene mantenuta con una batteria opzionale (TSX PLP 01), posta nel modulo di alimentazione. **Il backup dell'applicazione è effettivo solo se il modulo d'alimentazione e il processore restano in posizione sul rack.** (Vedere la durata del backup della memoria RAM interna).

(1) Quando l'applicazione si trova nella RAM interna, la capacità di memoria è limitata a 96 Kparole.

Quando l'applicazione si trova nella scheda PCMCIA, la capacità di memoria RAM interna è aumentata a 176 Kparole.

• Alloggiamento di una scheda di estensione memoria PCMCIA

Questo slot, nella parte anteriore del processore, permette di ricevere una scheda di memoria PCMCIA

Tipo 1. **Quando non è presente la scheda, è obbligatorio mantenere il coperchietto di chiusura dello slot.**

Sono disponibili 3 famiglie di schede:

- **Schede di memoria standard:** Vengono proposti due tipi:

- **RAM salvata** per le fasi di creazione e di debug del programma applicativo. Il salvataggio viene mantenuto con una batteria rimovibile contenuta nella scheda,
- **FLASH EPROM** quando il programma applicativo è operativo (debug terminato),

- **Scheda di memoria di tipo BACKUP** per caricare il programma nella RAM interna, senza l'utilizzo di un terminale. Tale scheda deve avere prima caricato il programma applicativo, la cui dimensione deve essere < a 32 Kparole.

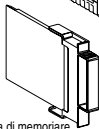
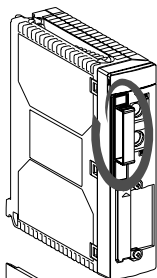
-Schede di memoria di tipo applicazione + file

Queste schede dispongono, oltre all'area di memorizzazione dell'applicazione standard:

- di un'area dei file per l'archivio dei dati di programma,
- di un'area per la memorizzazione della base dei simboli dell'applicazione. Tale base è stata compattata per fare in modo che rientri nell'area assegnata. Quest'area è presente solo su determinate schede.

Sono disponibili due tipi di schede:

- scheda di estensione memoria applicazione + file di tipo RAM registrato. La memoria è registrata da una batteria amovibile integrata nella scheda di estensione memoria.



Scheda di memoria

- scheda di estensione memoria applicazione + file di tipo FLASH EPROM. In questo caso, la zona di stoccaggio dei dati é in RAM registrato; questo implica che questo tipo di scheda di estensione memoria deve essere equipaggiata di una batteria di salvaguardia.

! L'installazione / rimozione di una scheda di memoria può essere fatta SOTTO TENSIONE (provoca un riavvio a freddo). Per essere operativa, una scheda di memoria deve essere predisposta con un'apposita maniglietta. Se il programma contenuto nella scheda di memoria PCMCIA comporta l'opzione RUN AUTO, il processore si avvia automaticamente in RUN dopo l'inserimento della scheda.

Codice delle schede di memoria d'estensione PCMCIA di tipo standard e sostegno(schede compatibili PL7):

Riferimenti	Tipo	Capacità	Compatibilità con i processori TSX/TPMX			
			P57 1•3	P57 2•3 P57 2•23	P57 3•3 P57 3623	P57 453 P57 4823
TSX MRP 032P	RAM	32 K16	Si	Si	Si	Si
TSX MRP 064P	RAM	64 K16	Si	Si	Si	Si
TSX MRP 0128P	RAM	128 K16	No	Si	Si	Si
TSX MRP 0256P	RAM	256 K16	No	Si	Si	Si
TSX MFP 032P	FLASH EPROM	32 K16	Si	Si	Si	Si
TSX MFP 064P	FLASH EPROM	64 K16	Si	Si	Si	Si
TSX MFP 0128P	FLASH EPROM	128 K16	No	Si	Si	Si
TSX MFP BAK032P	RAM/Backup	32 K16	Si	Si	Si	Si

Codice delle schede di memoria d'estensione PCMCIA di tipo standard e backup (schede compatibili Unity Pro):

Rif.	Tipo/Capacità	Dati	Capacità memoria massima gestita dal processore (K8 = kilobytes)						TSX 57 5•4
			TSX 57 0244	TSX 57 1•4	TSX 57 2•4	TSX 57 3•4	TSX 57 4•4		
TSX MRPP 128K	RAM/128K8	0	Limitata a 128K8	Totalità	Totalità	Totalità	Totalità	-	
TSX MRPP 224K	RAM/224K8	0	Limitata a 128K8	Totalità	Totalità	Totalità	Totalità	-	
TSX MRPP 384K	RAM/384K8	0	Limitata a 128K8	Limitata a 224K8	Totalità	Totalità	Totalità	-	
TSX MFPP 128K	FLASH EPROM/ 128K8	0	Limitata a 128K8	Totalità	Totalità	Totalità	Totalità	-	

TSX MFPP 224K	FLASH EPROM / 224K8	0	Limitata a 128K8	Totalità	Totalità	Totalità	Totalità	-
TSX MFPP 384K	FLASH EPROM/ 384K8	0	Limitata a 128K8	Limitata a 224K8	Totalità	Totalità	Totalità	-
TSX MFPP 512K	FLASH EPROM/ 512K8	0	Limitata a 128K8	Limitata a 224K8	Totalità	Totalità	Totalità	Totalità
TSX MFPP 001M	FLASH EPROM/ 1024K8	0	Limitata a 128K8	Limitata a 224K8	Limitata a 768K8	Totalità	Totalità	Totalità
TSX MFPP 002M	FLASH EPROM/ 2048K8	0	-	Limitata a 224K8	Limitata a 768K8	Totalità	Totalità	Totalità
TSX MFPP 004M	FLASH EPROM/ 4096K8	0	-	Limitata a 768K8	Limitata a 1792K8	Totalità a 2048K8	Totalità	Totalità
TSX MFP B 096K	RAM/Backup	96 K8	Limitata a 96K8	Totalità	Totalità	Totalità	Totalità	Totalità

Nota: le schede PCMCIA possono essere inserite in tutti i tipi di processori eccettuato i processori TSX P57 554/5634 che non sono compatibili con le schede a capacità limitata TSX MRPP128/224/384K e TSX MFPP128/224/384K.

La dimensione dell'applicazione utilizzabile è limitata alle caratteristiche del processore.

Codice delle schede di memoria di tipo applicazione + file o simboli (schede compatibili PL7):

Riferimenti	Tipo / Capacità			Compatibilità con i processori TSX / TPMX			
	Area applicazione	Area file (RAM)	Area simbolo (RAM)	P57 1•3	P57 2•3 P57 2•23	P57 3•3 P57 3623	P57 453 P57 4823
TSX MRP 232P	RAM/32 K16	128 K16	-	Si	Si	Si	Si
TSX MRP 264P	RAM/64 K16	128 K16	-	Si	Si	Si	Si
TSX MRP 2128P	RAM/128 K16	128 K16	128 K16	No	Si	Si	Si
TSX MRP 3256P	RAM/256 K16	640 K16	128 K16	No	Si	Si	Si
TSX MRP 3384P	RAM/384 K16	640 K16	-	No	Si	Si	Si
TSX MRP 0512P	RAM/512 K16	-	256 K16	No	Si	Si	Si

TSX MRPC 007M	RAM/960K16	384 K16	640 K16	No	No	No	Si (*)
TSX MFP 232P	FLASH/ EPROM 32 K16	128 K16	-	Si	Si	Si	Si
TSX MFP 232P	FLASH/ EPROM 32 K16	128 K16	-	Si	Si	Si	Si

(*) Uso riservato

! per il TSX MRPC 007M, la zona applicazione di 960K16 è suddivisa in 2*480K16:

- 1 480K16 per il codice eseguibile,
- 1 480K16 per i commenti e le informazioni grafiche.

Codice delle schede di memoria di tipo applicazione + file (schede compatibili Unity Pro):

Rif.	Tipo	Capacità		Capacità memoria massima gestita dal processore (K8 = kilobytes)					
		Applic.	Area file	TSX 57 0244	TSX 57 1•4	TSX 57 2•4	TSX 57 3•4	TSX 57 4•4	TSX 57 5•4
TSX MRPC 448K (2)	RAM	448K8	448K8	-	Limitata a 224/ 256K	Totalità	Totalità	Totalità	-
		96 a 448K8	0 a 352K8						
TSX MRPC 768K (2)	RAM	768K8	768K8	-	Limitata a 224/ 256K	Totalità	Totalità	Totalità	Totalità
		192 a 768K8	0 a 576K8						
TSX MRPC 001M (2)	RAM	1024K8	1024K8	-	Limitata a 224/ 256K	Limitata a 768/832K	Totalità	Totalità	Totalità
		192 a 1024K8	0 a 832K8						
TSX MRPC 001M7 (2)	RAM	1024K8	1024K8	-	Limitata a 224/ 256K	Limitata a 768/832K	Totalità	Totalità	Totalità
		192 a 1024K8	0 a 832K8						
TSX MRPC 002M (2)	RAM	2048K8	2048K8	-	Limitata a 224/ 256K	Limitata a 768/ 2880K	Limitata a 1792/ 2880K	Totalità	Totalità
		192 a 2048K8	0 a 1856K8						
TSX MRPC 003M (2)	RAM	3072K8	3072K8	-	Limitata a 224/ 256K	Limitata a 768/ 2880K	Limitata a 1792/ 2880K	Limitata a 2048/ 2880K	Totalità
		192 a 3072K8	0 a 2880K8						
TSX MRPC 007M (2)	RAM	7168K8	7168K8	-	Limitata a 224/ 256K	Limitata a 768/ 2880K	Limitata a 1792/ 2880K	Limitata a 2048/ 6976K	Limitata a 4096/ 6976K
		192 a 7168K8	0 a 6976K8						

TSX MCPC 224K	Flash EPROM	224K8	256K8	Limitata a 128/ 256K	Totalità	Totalità	Totalità	Totalità	-
TSX MCPC 512K	Flash EPROM	512K8	512K8	Limitata a 128/ 256K	Limitata a 224/ 256K	Totalità	Totalità	Totalità	Totalità
TSX MCPC 002M	Flash EPROM	2048K8	1024K8	Limitata a 128/ 256K	Limitata a 224/ 256K	Limitata a 768/ 1024K	Limitata a 1792/ 1024K	Totalità	Totalità

(1) spiegazione dei limiti: il primo numero si riferisce al limite della zona applicazione, il secondo al limite della zona Data. Esempio: limitata a 224/256K vuol dire che la zona applicazione è limitata a 224K8 e la zona Data è limitata a 256K8.

(2) PCMCIA dotate di zone memoria applicazione e file di capacità variabile e non fissa.

Le schede PCMCIA possono essere inserite in tutti i tipi di processori eccettuato i processori TSX P57 554/5634 che non sono compatibili con le schede a capacità limitata TSX MCPC224K e TSX MRPF 448K. La taille application utilizzabile è limitata alle caratteristiche del processore.

Codice delle schede di memoria di tipo file (schede compatibili PL7)

Riferimenti	Tipo / Capacità		Compatibilità con i processori TSX / TPMX		
	Area file (RAM)		P57 2*3	P57 3*3	P57 453
TSX MRP DS 2048 P	2048 K16		P57 2*23	P57 3623	P57 4823
			Si	Si	Si

Codice delle schede di memoria di tipo file

Riferimenti	Tipo	Capacità		Capacità memoria massima gestita dal processore (K8 = kilobytes)				
		Applic.	Area file (RAM)	TSX 57 0244/1*4	TSX 57 2*4	TSX 57 3*4	TSX 57 4*4	TSX 57 5*4
TSX MRPF 004M	RAM	0	4096K8	-	4096K8	4096K8	4096K8	4096K8
TSX MRPF 008M	RAM	0	8192K8	-	8192K8	8192K8	8192K8	8192K8

Le schede PCMCIA possono essere inserite in tutti i tipi di processori eccettuato i processori TSX P57 0244 y 1*4.

• Pulsante RESET

Premendo questo pulsante con una punta fine si provoca l'avvio a freddo dell'applicazione:

- processore funzionante: avvio in STOP o in RUN a seconda della configurazione,
- processore guasto: avvio forzato in STOP.

• Funzione RUN / STOP

Questa funzione permette di avviare o interrompere il programma applicativo, a partire da un terminale di programmazione o un ingresso digitale definito nella configurazione. L'impostazione in STOP da questo ingresso fisico è prioritaria rispetto all'impostazione in RUN da un terminale.

• Orodatario

L'orodatario integrato al processore gestisce la data e l'ora corrente nonché la data e l'ora dell'ultimo arresto dell'applicazione. La gestione viene mantenuta anche quando il processore non è alimentato, a condizione che esso sia montato sul rack con il modulo di alimentazione predisposto con una batteria di backup.

! Lo smontaggio del processore provoca, dopo un dato tempo, la perdita dei dati della data e dell'ora.

• Durata del salvataggio della RAM interna e dell'orodatario.

- Durata del salvataggio con la batteria

Temperatura ambiente d'immagazzinamento		≤30°C	40°C	50°C	60°C
Durata con il salvataggio	PLC fuori tensione, 12 ore/giorno	5 anni	3 anni	2 anni	1 anno
	con PLC fuori tensione, 1 ora/giorno	5 anni	5 anni	4,5 anni	4 anni

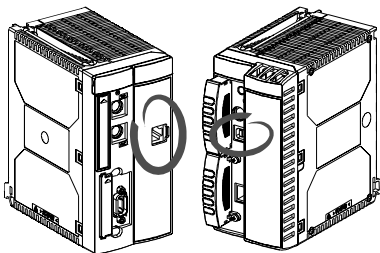
- Autonomia di salvataggio durante la sostituzione della batteria (PLC non alimentato) o la rimozione del processore. Il tempo d'intervento è limitato; oltre un certo lasso di tempo si possono perdere i dati della memoria RAM.

Temperatura ambiente durante il periodo di non funzionamento	20°C	30°C	40°C	50°C
Durata del salvataggio	2h	45mn	20mn	8mn

•Connessione Ethernet su TSX P57 ••23/••34

Alcuni processori dispongono di una connessione Ethernet integrata, che permette di gestire 64 connessioni TCP utilizzando la funzione di messaggeria porta 502, per analizzare 64 apparecchiature al massimo utilizzando la funzione di IO Scanning.

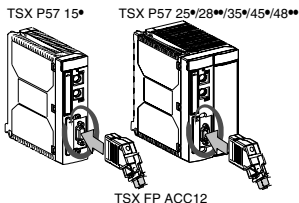
Una presa RJ45 posta sulla seconda parte del modulo permette di collegarsi alla rete Ethernet.



•Connessione FIPIO master sui TSX P57 •5• e TSX P57 •8••.

Alcuni processori dispongono di una connessione FIPIO master integrata che permette di gestire un bus FIPIO sul quale possono essere collegate da 1 a 127 apparecchiature quali:

- dei moduli di I/O remoti di tipo Momentum e TBX (digitali e analogici),
- pannelli di comando di tipo CCX 17,
- variatori di velocità di tipo ATV58,
- apparecchiature conformi ai profili standard,
-



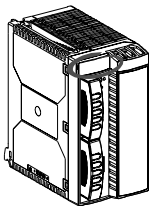
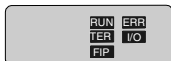
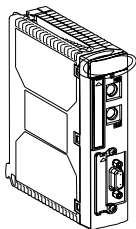
Un connettore SUB D 9 pin posto sulla parte frontale consente di collegarsi al bus FIPIO tramite un connettore TSX FP ACC12.

Nota: la messa in opera completa di un bus FIPIO (tipo di architettura, tipo di cavo da utilizzare, accessori di cablaggio, ...) è trattata nel manuale di riferimento del bus FIPIO.

Diagnostica a partire dagli indicatori di visualizzazione

4 a 7 spie secondo il tipo di processore, poste sulla parte frontale che permettono di effettuare una diagnosi rapida del PLC:

- **RUN** (verde): stato dell'applicazione (**accesa**: funzionamento normale **lampeggiante**: PLC in STOP o guasto software bloccante; **spenta**: PLC non configurato, applicazione non presente, non valida, incompatibile con il tipo di processore o PLC in errore, guasto al processore o di sistema),
- **ERR** (rosso): guasto al processore o alla scheda di memoria o alla scheda di comunicazione PCMCIA (**accesa**: PLC in errore, guasto processore o di sistema; **lampeggiante**: PLC non configurato, applicazione assente, non valida o incompatibile con il tipo di processore, PLC in errore software bloccante, guasto alla batteria della scheda di memoria, guasto al bus X (1); **spento**: funzionamento normale),
- **I/O** (rosso): guasto di I/O (**acceso**: errore di I/O proveniente da un modulo o da un canale oppure un errore di configurazione, **lampeggiante**: guasto al bus X (1); **spento**: funzionamento normale),
- **TER** (giallo): segnala l'attività sulla porta terminale (**lampeggiante**: scambio in corso sulla porta terminale).
- **FIP** (giallo): solo sui processori TSX P57 •53 et TSX P57 •823, segnala l'attività sul bus FIPIO (**lampeggiante**: scambi in corso sul bus FIPIO).
- **STS** (giallo): solo sui processori TSX P57 5634.
- **ACT** (giallo): solo sui processori TSX P57 5634.



(1) Un guasto al bus X viene segnalato con un lampeggio simultaneo delle spie ERR e I/O.

Caratteristiche

•Caratteristiche generali dei processori TSX 57 “compatibili PL7”

Processori TSX P57	103	153	203/ 2623	253/ 2823
Caratteristiche massime della stazione				
Rack TSX RKY 12EX	2	2	8	8
Rack TSX RKY 4EX/6EX/8EX	4	4	16	16
Alloggiamenti moduli (1)	21[27]	21[27]	87[111]	87[111]
I/O digitali sul bus X	512	512	1024	1024
I/O analogici sul bus X	24	24	80	80
Canali di funzione sul bus X (2)	8	8	24	24
Numero di loop di regolazione	0	0	30	30
Numero di canali di regolazione	0	0	10	10
Connessione UNI-TELWAY (porta terminale)	2	2	2	2
Connessione alla rete (3) (FIPWAY, ETHWAY/TCP/ IP, Modbus +, Ethernet)	1	1	1	1
Connessione FIPIO master integrato	-	63	-	127
Connessione a bus di campo di terzi (INTERBUS-S, ...) (4)	0	0	1	1
Connessione bus di campo AS-i	2	2	4	4
Funzioni				
Orodatario memorizzabile	Si	Si	Si	Si
Memoria				
RAM interna (5) (K16)	32	32	48	64
Estensione di memoria max. (K16)	64	64	160	160
Memoria massima (K16)	96	96	208	224
Struttura applicazione				
Task master	1	1	1	1
Task veloce	1	1	1	1
Elaborazione di evento (di cui 1 prioritario)	32	32	64	64
Tempo d'esecuzione per 1K istruzioni (6)				
Scheda PCMCIA	0.95	0.95	0.28	0.28
Scheda PCMCIA	1.18	1.18	0.40	0.40
Software di programmazione (7)				
Linguaggi	PL7 Junior/PL7 Pro (in Windows 95/98/2000 o NT Ladder, Grafcet, Letterale strutturato, Lista			

- (1) Per moduli dal formato standard, senza modulo di alimentazione e processore.
21 slot con 2 rack TSX RKY 12EX, 27 slot con 4 rack TSX RKY 8EX,
87 slot con 8 rack TSX RKY 12EX, 111 slot con 16 rack TSX RKY8EX.
- (2) Canali di funzioni specifiche = conteggio, comando d'asse, comando passo passo, comunicazione, ... (Vedere definizione e conteggio dei diversi canali di funzione specifica).
- (3) La connessione Ethernet integrata dei TSX P57 ••23 è compresa nel numero delle connessioni dirette.
- (4) INTERBUS-S, PROFIBUS-DP
- (5) Salvataggio mantenuto con batteria posta sul modulo d'alimentazione.
- (6) 65% booleane / 35% numeriche.
- (7) PL7 ≥ V4.3 per i processori TSX P57 ••23.

•Caratteristiche generali dei processori TSX 57 "compatibili PL7" (continuazione)

Processori TSX P57	303/ 3623	353	453/ 4823
Caratteristiche massime della stazione			
Racks TSX RKY 12EX	8	8	8
Racks TSX RKY 4EX/6EX/8EX	16	16	16
EAlloggiamenti moduli (1)	87[111]	87[111]	87[111]
I/O digitali sul bus X	1024	1024	2048
I/O analogici sul bus X	128	128	256
Canali di funzione sul bus X (2)	32	32	64
Numero di loop di regolazione	45	45	60
Numero di canali di regolazione	15	15	20
Connessione UNI-TELWAY (porta terminale)	2	2	2
Connessione alla rete (3)(FIPWAY,ETHWAY/TCP/IP,Modbus+, Ethernet)	3	3	4
Connessione FIPIO master integrato	-	127	127
Connessione bus di campo di terzi (INTERBUS-S, ...) (4)	2	2	2
Connessione bus di campo AS-i	8	8	8
Funzioni			
Orodatorio memorizzabile	Si	Si	Si
Memoria			
RAM interna (5)	(K16) 64/80	80/96	96/176
Estensione di memoria max.	(K16) 384	384	512
Memoria massima	(K16) 464	480	688
Struttura applicazione			
Task master	1	1	1
Task veloce	1	1	1
Elaborazione di evento (di cui 1 prioritario)	64	64	64
Tempo d'esecuzione per 1K istruzioni (6)			
Della RAM interna	0.21	0.21	0.11
Scheda PCMCIA	0.32	0.32	0.11
Software di programmazione (7)	PL7 Junior/PL7 Pro (in Windows 95/98/2000 o NT)		
Linguaggi	Ladder, Grafcet, Letterale strutturato, Lista		

- (1) Per moduli dal formato standard, senza modulo di alimentazione e processore.
21 slot con 2 rack TSX RKY 12EX, 27 slot con 4 rack TSX RKY 8EX,
87 slot con 8 rack TSX RKY 12EX, 111 slot con 16 rack TSX RKY8EX.
- (2) Canali di funzioni specifiche = conteggio, comando d'asse, comando passo passo, comunicazione, ... (Vedere definizione e conteggio dei diversi canali di funzione specifica).
- (3) La connessione Ethernet integrata dei TSX P57 **23 è compresa nel numero delle connessioni di rete.
- (4) INTERBUS-S, PROFIBUS-DP.
- (5) Salvataggio mantenuto con batteria posta sul modulo d'alimentazione.
Su TSX P57 453: se l'applicazione è nella RAM interna, la capacità di memoria è = 96 Kparole; se l'applicazione è nella scheda PCMCIA, la capacità di memoria della RAM interna è = 176 Kparole.
- (6) 65% booleane / 35% numeriche.
- (7) PL7 ≥ V4.3 per i processori TSX P57 **23.

• Caratteristiche generali dei processori TSX 57 “compatibili Unity Pro”

TSX P57	0244	104	1634	154	204
Caratteristiche massime della stazione					
Rack TSX RKY 12EX	1	2	2	2	8
Rack TSX RKY 4EX/6EX/8EX	1	4	4	4	16
Alloggiamenti moduli (1)	10	21	21	21	87
I/O digitali sul bus X	256	512	512	512	1024
I/O analogici sul bus X	12	24	24	24	80
Canali di funzione sul bus X (2)	4	8	8	8	24
Numero di loop di regolazione	-	-	-	-	30
Numero di canali di regolazione	-	-	-	-	10
Connessione UNI-TELWAY (porta terminale)	1	1	1	1	1
Connessione alla rete (3) (FIPWAY, ETHWAY/TCP/IP, Modbus +, Ethernet)	1	1	1	1	1
Connessione FIPIO master (integrato)	-	-	-	63	-
Connessione Ethernet (integrato)	-	-	-	-	1
Connessione bus di campo AS-i	1	2	2	2	4
Funzioni					
Orodatario memorizzabile	SI	SI	SI	SI	SI
Memoria					
RAM interna (4) (K8)	96	96	96	96	160
Scheda PCMCIA (mass.) (K8)	128	224	224	224	768
Struttura applicazione					
Task master	1	1	1	1	1
Task veloce	1	1	1	1	1
Elaborazione di evento (di cui 1 prioritario)	32	32	32	32	64
Tempo d'esecuzione (in Kins/ms)					
RAM interna (100% booleane)	4,76	4,76	4,76	4,76	4,76
RAM interna (65% booleane + 35% numeriche)	3,57	3,57	3,57	3,57	3,57
Scheda PCMCIA (100% booleane)	3,10	3,10	3,10	3,10	3,70
Scheda PCMCIA (65% booleane + 35% numeriche)	2,10	2,10	2,10	2,10	2,50
Sovraccarico sistema					
Task MAST					
Senza utilizzo del bus Fipio	1 ms	1 ms	1 ms	1 ms	1 ms
Con utilizzo del bus Fipio	-	-	-	1 ms	-
Task FAST	0,30	0,30	0,30	0,30	0,30

(1) Per moduli dal formato standard, senza modulo di alimentazione e processore.

21 slot con 2 rack TSX RKY 12EX, 27 slot con 4 rack TSX RKY 8EX,

87 slot con 8 rack TSX RKY 12EX, 111 slot con 16 rack TSX RKY 8EX.

(2) Canali di funzioni specifiche = conteggio, comando d'asse, comando passo passo, comunicazione, ... (Vedere definizione e conteggio dei diversi canali di funzione specifica).

(3) La connessione Ethernet integrata dei TSX P57 •23 è compresa nel numero delle connessioni di rete..

(4) Salvataggio mantenuto con batteria posta sul modulo d'alimentazione..

• **Caratteristiche generali dei processori TSX 57 "compatibili Unity Pro"** (continuazione)

TSX P57	254	2634	304	354
Caratteristiche massime della stazione				
Rack TSX RKY 12EX	8	8	8	8
Rack TSX RKY 4EX/6EX/8EX	16	16	16	16
Alloggiamenti moduli (1)	87	87	87	87
I/O digitali sul bus X	1024	1024	1024	1024
I/O analogici sul bus X	80	80	128	80
Canali di funzione sul bus X (2)	24	24	32	32
Numero di loop di regolazione	30	30	45	45
Numero di canali di regolazione	10	10	15	15
Connessione UNI-TELWAY (porta terminale)	1	1	1	1
Connessione alla rete (3) (FIPWAY, ETHWAY/TCP/IP, Modbus +, Ethernet)	1	1	3	3
Connessione FIPIO master (integrato)	127	-	-	127
Connessione Ethernet (integrato)	1	1	-	-
Connessione a bus di campo di terzi (INTERBUS-S, ...)	1	1	3	3
Connessione bus di campo AS-I		8	8	8
Funzioni				
Orodatario memorizzabile		SI	SI	SI
Memoria				
RAM interna (4) (K8)	768	160	192	170
Scheda PCMCIA (mass.) (K8)		768	1792	1024
Struttura applicazione				
Task master	1	1	1	1
Task veloce	64	1	1	1
Elaborazione di evento (di cui 1 prioritario)		64	64	64
Tempo d'esecuzione (in Kins/ms)				
RAM interna (100% booleane)	3,5	4,76	6,67	6,67
RAM interna (65% booleane + 35% numeriche)	3,70	3,57	4,76	4,76
Scheda PCMCIA (100% booleane)	2,5	3,70	4,55	4,55
Scheda PCMCIA (65% booleane + 35% numeriche)		2,50	3,13	3,13
Sovraccarico sistema				
Task MAST				
Senza utilizzo del bus Fipio	1 ms	1 ms	1 ms	1 ms
Task FAST	0,35 ms	0,30 ms	0,35 ms	0,35 ms

- (1) Per moduli dal formato standard, senza modulo di alimentazione e processore.
21 slot con 2 rack TSX RKY 12EX, 27 slot con 4 rack TSX RKY 8EX,
87 slot con 8 rack TSX RKY 12EX, 111 slot con 16 rack TSX RKY8EX.
- (2) Canali di funzioni specifiche = conteggio, comando d'asse, comando passo passo, comunicazione,
... (Vedere definizione e conteggio dei diversi canali di funzione specifica).
- (3) La connessione Ethernet integrata dei TSX P57 •23 è compresa nel numero delle connessioni di rete.
- (4) Salvataggio mantenuto con batteria posta sul modulo d'alimentazione

• **Caratteristiche generali dei processori TSX 57 "compatibili Unity Pro"** (continuazione)

TSX P57	3634	454	4634
Caratteristiche massime della stazione			
Rack TSX RKY 12EX	8	8	8
Rack TSX RKY 4EX/6EX/8EX	16	16	16
Alloggiamenti moduli (1)	87	87	87
I/O digitali sul bus X	1024	2048	2048
I/O analogici sul bus X	128	256	256
Canali di funzione sul bus X (2)	32	48	64
Numero di loop di regolazione	45	60	60
Numero di canali di regolazione	15	20	20
Connessione UNI-TELWAY (porta terminale)	1	1	1
Connessione alla rete (3) (FIPWAY, ETHWAY/TCP/IP, Modbus +, Ethernet)	3	4	4
Connessione FIPIO master(integrato)	-	127	-
Connessione Ethernet (integrato)	1	-	1
Connessione a bus di campo di terzi (INTERBUS-S, ...)	3	4	4
Connessione bus di campo AS-i	8	8	8
Funzioni			
Orodatario memorizzabile	SI	SI	SI
Memoria			
RAM interna (4) (K8)	192	320	320/440 (5)
Scheda PCMCIA (mass.) (K8)	1792	2048	2048
Struttura applicazione			
Task master	1	1	1
Task veloce	1	1	1
Elaborazione di evento (di cui 1 prioritario)	64	64	64
Tempo d'esecuzione (in Kins/ms)			
RAM interna (100% booleane)	6,67	15,5	15,5
RAM interna (65% booleane + 35% numeriche)	4,76	11,4	11,4
Scheda PCMCIA (100% booleane)	4,55	15,5	15,5
Scheda PCMCIA (65% booleane + 35% numeriche)	3,13	11,4	11,4
Sovraccarico sistema			
Task MAST			
Senza utilizzo del bus Fipio	1 ms	1 ms	1 ms
Task FAST	0,35 ms	0,08 ms	0,08 ms

- (1) Per moduli dal formato standard, senza modulo di alimentazione e processore.
21 slot con 2 rack TSX RKY 12EX, 27 slot con 4 rack TSX RKY 8EX,
87 slot con 8 rack TSX RKY 12EX, 111 slot con 16 rack TSX RKY8EX.
- (2) Canali di funzioni specifiche = conteggio, comando d'asse, comando passo passo, comunicazione, ...
(Vedere definizione e conteggio dei diversi canali di funzione specifica).
- (3) La connessione Ethernet integrata dei TSX P57 ••23 è compresa nel numero delle connessioni dirette.
- (4) Salvataggio mantenuto con batteria posta sul modulo d'alimentazione.
- (5) 1° numero se l'applicazione è in RAM interna, 2° numero se l'applicazione è in scheda memoria.

• **Caratteristiche generali dei processori TSX 57 "compatibili Unity Pro"** (continuazione)

TSX P57	554	5634
Caratteristiche massime della stazione		
Rack TSX RKY 12EX	8	8
Rack TSX RKY 4EX/6EX/8EX	16	16
Alloggiamenti moduli (1)	87	87
I/O digitali sul bus X	2040	2040
I/O analogici sul bus X	512	512
Canali di funzione sul bus X (2)	64	64
Numero di loop di regolazione	90	90
Numero di canali di regolazione	30	30
Connessione UNI-TELWAY (porta terminale)	1	1
Connessione alla rete (3) (FIPWAY, ETHWAY/TCP/IP, Modbus +, Ethernet)	4	5
Connessione FIPIO master(integrato)	127	-
Connessione Ethernet (integrato)	-	1
Connessione a bus di campo di terzi (INTERBUS-S, ...)	2	2
Connessione bus di campo AS-i	8	8
Funzioni		
Orodatario memorizzabile	Sì	Sì
Memoria		
RAM interna (4) (K8)	640/896 (5)	640/896 (5)
Scheda PCMCIA (mass.) (K8)	4096	4096
Struttura applicazione		
Task master	1	1
Task veloce	1	1
Task ausiliaria	4	4
Elaborazione di evento (di cui 1 prioritario)	128	128
Tempo d'esecuzione(in Kins/ms)		
RAM interna (100% booleane)	19,80	19,80
RAM interna (65% booleane + 35% numeriche)	14,20	14,20
Scheda PCMCIA (100% booleane)	19,80	19,80
Scheda PCMCIA (65% booleane + 35% numeriche)	14,20	14,20
Sovraccarico sistema		
Task MAST	1 ms	1 ms
Task FAST	0,07 ms	0,07 ms

- (1) Per moduli dal formato standard, senza modulo di alimentazione e processore.
21 slot con 2 rack TSX RKY 12EX, 27 slot con 4 rack TSX RKY 8EX,
87 slot con 8 rack TSX RKY 12EX, 111 slot con 16 rack TSX RKY8EX.
- (2) Canali di funzioni specifiche = conteggio, comando d'asse, comando passo passo, comunicazione, ... (Vedere definizione e conteggio dei diversi canali di funzione specifica).
- (3) La connessione Ethernet integrata dei TSX P57 ••23 è compresa nel numero delle connessioni dirette.
- (4) Salvataggio mantenuto con batteria posta sul modulo d'alimentazione..
- (5) 1° numero se l'applicazione é in RAM interna, 2° numero se l'applicazione é in scheda memoria.

•Caratteristiche elettriche

Processori	Assorbimento con 5 VDC del modulo d'alimentazione TSX PSY • en mA		Assorbimento en Watt	
	Tipico	Max.	Tipico	Max.
TSX P57 0244	750	1050	3,7	5,2
TSX P57 10 •	750	1050	3,7	5,2
TSX P57 16 ••	1550	1160	4,1	5,8
TSX P57 15 •	830	2170	7,7	10,8
TSX P57 20 •	750	1050	3,7	5,2
TSX P57 26 ••	1550	1160	4,1	5,8
TSX P57 25 •	830	2170	7,7	10,8
TSX P57 30 •	1000	1400	5	7
TSX P57 36 ••	1800	1510	5,4	7,5
TSX P57 35 •	1080	2520	9	12,6
TSX P57 45 •	1580	2210	7,9	11
TSX P57 46 ••	1780	2490	8,9	12,5
TSX P57 554	1580	2210	7,9	11
TSX P57 5634	1780 mA	2490 mA	8,9 W	12,5W

•Conteggio dei canali di funzione specifica

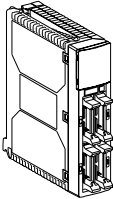
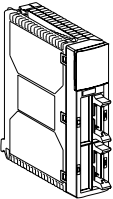
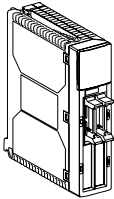
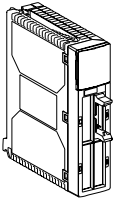
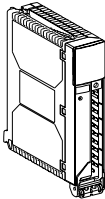
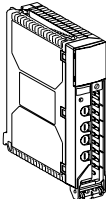
Funzione		Modulo/scheda	Canale funzione	Numero
Conteggio		TSX CTY 2A	Si	2
		TSX CTY 2C	Si	2
		TSX CTY 4A	Si	4
		TSX CCY 1128	Si	1
Comando di movimento	Asse	TSX CAY 21/22	Si	2
		TSX CAY 41/ 42	Si	4
		TSX CAY 33	Si	3
		TSX CAY 84	Si	32 (1)
	Passo passo	TSX CFY 11	Si	1
		TSX CFY 21	Si	2
Pesatura		TSX ISP Y100/101	Si	2
Comunicazione	Connessione seriale	TSX SCP 11 •• (nel processore)	No	0 (2)
		TSX SCP 11 •• (in TSX SCY 21601)	Si	1
		TSX JNP 11 •• (in TSX SCY 21601)	Si	1
		TSX SCY 21601 (canale integrato)	Si	1
	FIPIO Agent	TSX FPP10 (nel processore)	No	0 (2)
	FIPIO Master	integrato al processore	No	0 (2)
Modem		TSX MDM 10	Si	1

Nota: Si devono considerare solo i canali delle funzioni specifiche configurati.

(1) 1 canale minimo.

(2) Canali da non considerare per il calcolo del numero massimo di canali delle funzioni specifiche supportati dal processore.

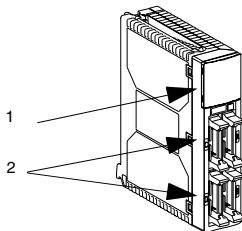
Presentazione

Modularità	64 I o 64 O	32 I o 32 O	32 I o 28I/O	16I
Conness. Connettori HE 10				
Conness. Morsettiera a vite (non rappresentata)			8/16 I o 8/16 I/O	8 o 16 O
				

Descrizione fisica

Moduli con connettori HE 10

- 1 Blocco di visualizzazione.
- 2 Connettori HE10 protetti da un coperchietto. Quest connettori consentono di collegare dei sensori e dei preattuatori, sia direttamente con cavo a trefoil precablato, sia tramite delle basi di raccordo TELEFAST 2.



Moduli con morsetteria a vite

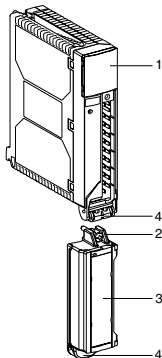
- 1 Blocco di visualizzazione.
- 2 Morsetteria a vite smontabile per il raccordo diretto di sensori e preattuatori.
- 3 Porta d'accesso ai morsetti. Su di essa è posta l'etichetta di identificazione.
- 4 Dispositivo antierrone.

⚠ La morsetteria viene fornita separatamente, con il codice di riferimento TSX BLY 01.

•Etichetta di reperimento

Questa etichetta removibile viene fornita con il modulo e deve essere posta all'interno dello sportellino (3). Stampata in fronte / retro, essa riporta le seguenti informazioni:

- sportellino chiuso: il codice del modulo e il tipo di canali. In un'apposita finestrella, compilata dall'utente, l'indirizzo del modulo e la designazione simbolica dei canali,
- sportellino aperto: i collegamenti degli I/O, con il numero dei canali e il numero dei morsetti di raccordo.



Riferimento del catalogo

Moduli d'ingresso TSX DEY..

Codice	Modularità	Connessione	Tensione	Isolamento	Logica	Filtro	CEI 1131-2
DEY 08 D2	8 (1)	Morsett.	24 VCC	Si	Positiva	4 ms	Tipo 2
DEY 16 D2	16 (1)	Morsett.	24 VCC	Si	Positiva	4 ms	Tipo 2
DEY 16 D3	16 (1)	Morsett.	48VCC	Si	Positiva	4 ms	Tipo 2
DEY 16 A2	16 (2)	Morsett.	24 VCC	Si	Negativa	10 ms	-
			24 VCA	Si	-	50/60 Hz	Tipo 2
DEY 16 A3	16 (2)	Morsett.	48 VCA	Si	-	50/60 Hz	Tipo 2
DEY 16 A4	16 (2)	Morsett.	115 VCA	Si	-	50/60 Hz	Tipo 2
DEY 16 A5	16 (2)	Morsett.	230 VCA	Si	-	50/60 Hz	Tipo 1
DEY 16 FK	16 (3)	HE 10	24 VCC	Si	Positiva	0,1..7,5 ms	Tipo 1
DEY 32 D2K	32 (3)	HE 10	24 VCC	Si	Positiva	4 ms	Tipo 1
DEY 32 D3K	32 (1)	HE 10	48VCC	Si	Positiva	4 ms	Tipo 2
DEY 64 D2K	64 (3)	HE 10	24 VCC	Si	Positiva	4 ms	Tipo 1

(1)Compatibilità DDP 2 e 3 fili CEI 947-5-2

(2)Compatibilità DDP 2 fili AC CEI 947-5-2

(3)Compatibilità DDP 2 e 3 fili Telemecanique

Moduli di uscita TSX DSY ..

Codice (5)	Modularità	Connessione	Tensione	Corrente	Logica	Protezione	Tempo di risposta
DSY 08 T2	8 (T)	Morsett.	24 VCC	0,5 A	Pos.	Si (1)	1,2 ms
DSY 08 T22	8 (T)	Morsett.	24 VCC	2 A	Pos.	Si (1)	0,2 ms
DSY 08 T31	8 (T)	Morsett.	48VCC	1 A	Pos.	Si (1)	0,2 ms
DSY 16 T2	16 (T)	Morsett.	24 VCA	0,5 A	Pos.	Si (1)	1,2 ms
DSY 16 T3	16 (T)	Morsett.	48VCA	0,5 A	Pos.	Si (1)	1,2 ms
DSY 08 R5 (3)	8 (R)	Morsett.	24 VCC 24...240 VCA	3 A	-	No	0 → 1 < 8ms 1 → 0 < 10ms
DSY 08 R4D (3)	8 (R)	Morsett.	24...110 VCC	5 A	-	Si (2)	0 → 1 < 10ms 1 → 0 < 15ms
DSY 08 R5A (3)	8 (R)	Morsett.	24...48 VCC 24...240 VCA	5 A	-	Si (2)	
DSY 16 R5 (3)	16 (R)	Morsett.	24 VCC 24...240 VCA	3 A	-	No	
DSY 08 S5 (3) (4)	8 (S)	Morsett.	48...220 VCA	2 A	-	Si (2)	0 → 1 < 10ms 1 → 0 < 10ms
DSY 16 S4 (3) (4)	16 (S)	Morsett.	24...110 VCA	1 A	-	No	
DSY 16 S5	16 (S)	Morsett.	48...220 VCA	1 A	-	Si (2)	
DSY 32 T2K	32 (T)	HE 10	24 VCC	0,1 A	Pos.	Si (1)	1,2 ms
DSY 64 T2K	64 (T)	HE 10	24 VCC	0,1 A	Pos.	Si (1)	1,2 ms

(1) Le uscite che integrano un dispositivo di protezione contro i cortocircuiti e i sovraccarichi. I moduli sono protetti contro le inversioni di polarità.

(2) Le uscite sono protette con fusibili intercambiabili, accessibili sulla parte frontale dei moduli.

(3) Il dispositivo disattiva automaticamente le uscite quando si aprono i morsetti.

(4) Tutti i moduli possono essere configurati per impostare le uscite in posizione di sicurezza, con l'eccezione dei moduli di uscita triac.

(5) Tutte le uscite sono isolate.

(T) Uscite a transistor

(R) Uscite a relè

(S) Uscite a triac

Modulo misto di I/O TSX DMY 28FK/28RFK

Modularità	Connessione	Tensione	Corrente	Logica	Protezione	Filtro	Tempo di risposta	CEI 1131
16 Ingressi	HE 10	24 VCC	-	Pos.	-	0,1..7,5 ms	-	Tipo1 1
12 Uscite (T)	HE 10	24 VCC	0,5 A	Pos.	Si	-	0,5 ms	Si

Nota: le uscite integrano un dispositivo di protezione contro i corto-circuiti e i sovraccarichi. Il modulo è protetto contro le polarità.

Tutti gli ingressi e le uscite sono isolate.

(T) Uscite a transistor

Installazione / Montaggio

I moduli di I/O digitali possono essere inseriti in ordine causale su un rack TSX RKY ...
Per il montaggio dei moduli su rack, fare riferimento alle istruzioni riportate nella documentazione relativa ai rack.

⚠ Il montaggio/smontaggio di un modulo da un rack può essere effettuato con il rack sotto tensione, ma è obbligatorio togliere la tensione ai sensori e ai preattuatori e scollegare la morsettiera.

Funzionalità

Ingressi a generatore di corrente

Gli ingressi a corrente continua 24 VCC e 48 VCC sono di tipo "generatore di corrente". La corrente di ingresso è costante qualunque sia la tensione d'ingresso superiore a 11 V (per gli ingressi a 24 VCC) o 20 V (per gli ingressi a 48 VCC).

Protezione delle uscite statiche a corrente continua

Tutte le uscite statiche protette sono predisposte con un dispositivo che permette, quando un'uscita è attiva, di rilevare il verificarsi di un sovraccarico o di un corto circuito. Questo tipo di guasto provoca l'interruzione dell'uscita e la segnalazione del guasto (la spia del canale guasto lampeggia e la spia di I/O del processore si accende). Per riattivare un'uscita interrotta, occorre riarmarla.

Riarmo delle uscite

Il riarmo di un'uscita interrotta può avvenire automaticamente o può essere comandata, a seconda della scelta effettuata a livello di configurazione. Il riarmo è richiesto per le uscite statiche a corrente continua o per le uscite a relè e triac protette da un fusibile intercambiabile. Quest'azione si effettua per gruppi di 8 canali, ma rimane senza effetto per i canali non attivati o che non presentano condizioni di guasto:

- se il riarmo è automatico, esso viene eseguito su ogni modulo ogni 10 s, fino a che il guasto è stato eliminato,
- se il riarmo è comandato dal programma applicativo o tramite un PC, esso verrà eseguito quando viene eliminato il difetto. Occorre attendere almeno 10 s tra due riarmi.

Posizionamento di sicurezza delle uscite

Quando si verifica un guasto bloccante, tutte le uscite di un modulo vengono impostate in uno stato determinato dall'utente a livello di configurazione: mantenimento stato, posizionamento a 0 o a 1.

Condivisione degli I/O

Ogni modulo è frazionato funzionalmente in gruppi di 8 canali che possono essere assegnati a task diversi dell'applicazione (ad esempio, per un modulo a 16 canali, i canali da 0 a 7 possono essere assegnati al task MAST e i canali da 8 a 15 al task FAST).

I canali di uno stesso gruppo posseggono in comune i modi di funzionamento e la gestione delle funzionalità (posizionamento e redistribuzione delle uscite).

Filtro programmabile sugli ingressi

I moduli TSX DEY 16FK e TSXDMY 28FK /28RFK permettono di configurare il tempo dell'azione di filtro sugli ingressi tra 0 e 7,5 ms (4 ms di default).

⚠ Per evitare di rilevare anche i picchi causati dalla chiusura dei contatti meccanici, si consiglia di utilizzare un tempo di filtro superiore a 3 ms.

Memorizzazione dello stato

I moduli TSX DEY 16FK e TSXDMY 28FK permettono, tramite la memorizzazione dello stato, di rilevare impulsi molto brevi e di durata inferiore a un ciclo di scansione del PLC. Il cambiamento di stato dell'ingresso viene letto ed elaborato al successivo ciclo del task.

⚠ Il periodo di tempo che separa due impulsi su uno stesso ingresso deve essere almeno uguale a due periodi di tempo del ciclo.

La durata minima d'impulso deve essere superiore al tempo di filtraggio configurato.

Gestione degli eventi

I moduli TSX DEY 16FK e TSX DMY 28FK permettono di configurare fino a 16 ingressi che consentono di rilevare gli eventi e di elaborarli immediatamente con il processore (elaborazione da interruzione).

Controllo della presenza della morsettiera

Tutti i moduli a morsettiera sono dotati di un dispositivo destinato a controllare che sul relativo modulo la morsettiera sia ben presente e, eventualmente, segnalare l'assenza o la sua installazione difettosa.

Controllo dei corto circuiti e dei sovraccarichi

I moduli di uscita statici sono dotati di un dispositivo di controllo dello stato del carico. Un corto circuito o un sovraccarico su una o più uscite provoca il guasto e di conseguenza l'interruzione delle relative uscite.

Controllo della tensione dei sensori

Tutti i moduli d'ingresso sono dotati di un dispositivo di controllo della tensione di alimentazione dei sensori e del modulo, che deve essere adeguata per garantire il buon funzionamento dei canali d'ingresso. Se tale tensione è inferiore al valore di soglia, viene segnalata una condizione di guasto.

⚠ L'alimentazione del sensore deve essere protetta con un fusibile ad azione rapida di 0,5 A.

Controllo della tensione dei preattuatori

Tutti i moduli con uscite statiche sono dotati di un dispositivo di controllo della tensione d'alimentazione dei preattuatori e del modulo, che deve essere adeguata per garantire il buon funzionamento dei canali d'uscita. Se tale tensione è inferiore al valore di soglia, viene segnalata una condizione di guasto.

Funzioni riflesse e temporizzatori sul modulo TSX DMY 28RFK

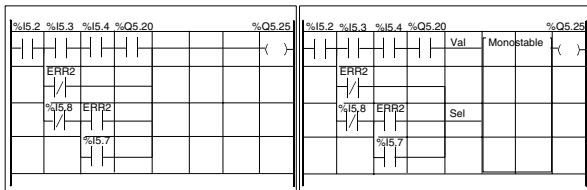
Questo modulo permette di realizzare delle applicazioni che richiedono un tempo di risposta più rapido di quello offerto dal task FAST o di un'elaborazione su evento (<500 ms) a partire da funzioni d'automazione eseguite a livello del modulo e non legate al task PLC utilizzando come variabili d'ingresso:

- gli ingressi fisici del modulo (%I),
- i comandi di uscita del modulo (%Q),
- le informazioni di guasto dei canali o del modulo,
- gli stati fisici del modulo.

Queste funzioni si programmano in modalità di configurazione con i programmi PL7 Junior o PL7 Pro dalla versione V ≥ 3.3. La schermata di configurazione di ogni uscita è composta da due parti principali:

- una parte rappresentante una rete ladder semplificata che comprende 4 linee di 4 contatti con i quali realizzare una funzione combinatoria delle variabili d'ingresso,
- una parte rappresentante la funzione di messa in opera che può essere sia il comando diretto dell'uscita, a partire dalla funzione combinatoria configurata, sia un blocco funzione (vedere gli esempi alla pagina che segue).

Esempi



Lista dei principali blocchi funzione:

- blocco funzione di temporizzatore tipo funzionamento,
- blocco funzione di temporizzatore tipo riposo,
- blocco funzione di temporizzatore tipo funzionamento e riposo,
- blocco funzione di temporizzatore con due valori,
- blocco funzione di temporizzatore tipo funzionamento/riposo con selezione dei valori,
- blocco funzione di monostabile riavviabile,
- blocco funzione di monostabile temporizzato, non riavviabile,
- blocco funzione di monostabile con due valori,
- blocco funzione di oscillatore,
- blocco funzione di contatore a 2 soglie,
- blocco funzione di contatore a una soglia con monostabile,
- blocco funzione per la misura di un periodo o di una lunghezza,
- blocco funzione Burst per la generazione di un numero definito di periodi d'oscillazione,
- blocco funzione PWM per generare un'oscillazione continua a frequenza fissa, ma con un rapporto ciclo variabile,
- blocco funzione di rilevamento sotto-velocità,
- blocco funzione di monitoraggio velocità,
- blocco funzioni comando/controllo per comandare un'azione e verificare che dopo un dato periodo di tempo è stata eseguita:
 - blocco funzione di comando/controllo tipo 1: (1 solo controllo),
 - blocco funzione di comando/controllo tipo 2: (2 controlli: AV e AR),
- blocco funzione di comando durante un numero di punti di conteggio (posizionamento semplice),
- blocco funzione di segnalizzazione guasto,
- blocco funzione di bistabile D, memorizzazione del fronte,
- blocco funzione di bistabile T, divisione per 2.

La descrizione di questi diversi blocchi funzione e la loro messa in opera a livello software sono trattati nel manuale delle funzioni specifiche TLX DS 57 PL7 4xF.

Mezzi di collegamento e regole di cablaggio

Regole di cablaggio

•Alimentazioni esterne per sensori e preattuatori.

Queste alimentazioni devono essere protette contro i corto circuiti e i sovraccarichi con dei **fusibili ad azione rapida**.

⚠ Quando l'installazione in 24 VCC non viene realizzata secondo le norme TBTS (tensione di sicurezza molto bassa), è obbligatorio collegare lo 0 V dell'alimentazione alla messa a terra di protezione, e questo il più vicino possibile all'alimentazione.

•Ingressi

L'utilizzo di un modulo d'ingresso veloce TSX DEY 16FK/DMY 28FK richiede di adattare i tempi di filtro degli ingressi alla funzione desiderata: l'uso di sensori con contatti meccanici impone l'adozione di tempi di filtro ≥ 3 ms. Per ottenere un funzionamento più veloce, utilizzare degli ingressi con sensori a corrente continua il cui tempo di risposta è inferiore a quello degli ingressi a corrente alternata.

•Uscite

Se le correnti sono importanti, segmentare i punti di partenza proteggendo ogni punto con un fusibile ad azione rapida.

Utilizzare fili di sezione adeguata onde evitare cadute di tensione e surriscaldamenti..

•Instradamento dei cavi

Allo scopo di limitare gli accoppiamenti in c.a., separare i cavi di potenza (alimentazione, contattori di potenza, ...) dai cavi di segnale d'ingresso (sensori) e d'uscita (pre-attuatori).

Raccordo dei moduli con morsetteria a vite

Ogni morsetto può ricevere due fili nudi o con puntali o capicorda aperti.

•minimo: 1 filo da 0,2 mm² (AWG 24) senza puntale,

•massimo: 1 filo da 2 mm² senza puntale
1 filo da 1,5 mm² con puntale.



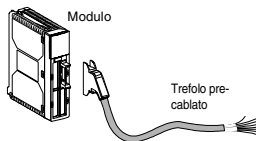
Raccordo dei moduli a connettori HE10

•Cavo a trefolo precablato di 20 fili, calibro 22 (0,34 mm²)

Esso permette il raccordo filo a filo degli I/O ai sensori, preattuatori o a morsettiere di raccordo.

Sono disponibili 2 tipi di cavi: **TSX CDP 301** (3 metri) e **TSX CDP 501** (5 metri).

Morsetto / Filo	Morsetto / Filo
1 bianco	2 marrone
3 verde	4 giallo
5 grigio	6 rosa
7 blu	8 rosso
9 nero	10 viola
11 grigio-rosa	12 rosso-blu
13 bianco-verde	14 marrone-verde
15 bianco-giallo	16 giallo-marrone
17 bianco-grigio	18 grigio-marrone
19 bianco-rosa	20 rosa-marrone

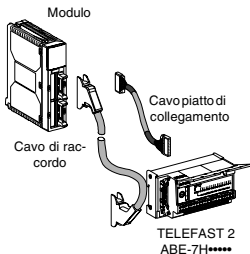


•Cavo di collegamento con guaina, calibro 28 (0,08 mm²)

Questo cavo permette di raccordare gli I/O alle interfacce di collegamento e di adattamento a cablaggio rapido TELEFAST 2. In considerazione della sezione minima dei fili, si raccomanda di utilizzare il cavo piatto per ingressi e uscite con bassi valori di corrente (≤ 100 mA).

Sono disponibili 3 tipi di cavi:

TSX CDP 102 (1 metro), **TSX CDP 202** (2 metri) e **TSX CDP 302** (3 metri).



••Cavo di raccordo, calibro 22 (0,34 mm²)

Questo cavo permette di raccordare gli I/O alle interfacce di collegamento e di adattamento a cablaggio rapido TELEFAST 2. La sezione dei fili (0,34 mm²), autorizza l'uso di correnti più elevate che con il cavo piatto (≤ 500 mA).

Sono disponibili 5 tipi di cavi: **TSX CDP 053** (0,5 metri), **TSX CDP 103** (1 metro), **TSX CDP 203** (2 metri), **TSX CDP 303** (3 metri) e **TSX CDP 503** (5 metri).

Coppie di serraggio massime:

- alle viti di fissaggio del modulo sul rack: 2.0 N.m
- alle viti della morsettiere di raccordo TSX BLY 01: 0.8 N.m
- alle viti dei connettori dei cavi TSX CDP •: 0.5 N.m

Caratteristiche dei moduli d'ingresso a morsetti

Ingressi in corrente continua (Tensione in VCC, Corrente in mA)					
Riferimento del modulo TSX DEY		08D2/16	16D3	16A2	
Valori nominali d'ingresso		Tensione	24	48	24
		Corrente	7	7	16
Valori limiti d'ingresso	stato 1	Tensione	≥ 11 V	≥ 30 V	≤ Ual - 14 V
		Corrente	≥ 6,5 (U = 11 V)	≥ 6,5 (U = 30 V)	≥ 6,5
	stato 0	Tensione	≤ 5	≤ 10	≥ Ual - 5
		Corrente	≤ 2	≤ 2	≤ 2
Alimentaz. sensori (ondulazione inclusa)		19...30 V (1)	38...60 V	19...30 V (1)	
Impedenza d'ingresso (U nominale)		4 kΩ	7 kΩ	1,6 kΩ	
Logica		positiva	positiva	negativa	
Conformità IEC 1131-2		Tipo 2	Tipo 2	Tipo 2	
Tipo d'ingresso		corrente sink	corrente sink	resistivo	
Parallelismo ingressi		Sì	Sì	Sì	
Compatibilità DDP 2 fili / 3 fili		EC 947-5-2	EC 947-5-2	EC 947-5-2	
Soglia rilev. tensione sensori	OK	> 18 V	> 36 V	> 18 V	
	Guasto	< 14 V	< 24 V	< 14 V	
Rigidità dielettrica (50/ 60 Hz, 1 mn)		1500 V eff.	1500 V eff.	1500 V eff.	
Consumo (2)	5 V tipico	55 / 80 mA	80 mA	80 mA	
	alim. sensori tip.(mA)	25+(Nx 7)	25+(Nx 7)	15+(Nx 15)	
Assorbimento(2) (W)		1+(Nx 0,15)	1+(Nx 0,3)	1+(Nx 0,4)	

Ingressi in corrente alternata (Valori d'ingresso : Tensione in VCA, Corrente in mA)						
Riferimento modulo TSX DEY		16A2	16A3	16A4	16A5	
Valori limite d'ingresso		Tensione	24	48	100...120	200...240
		Corrente	15	16	12	15
Valori limiti d'ingresso	stato 1	Tensione	10	29	74	129
		Corrente	6 (U = 10 V)	6 (U = 29 V)	6 (U = 74 V)	6 (U = 159 V)
	stato 0	Tensione	5	10	20	40
		Corrente	3 mA	4 mA	4 mA	4 mA
Alimentazione sensori		20...26 V	40...52 V	85...132 V	170...264 V	
Impedenza d'ingresso		1,6 kΩ	3,2 kΩ	9,2 kΩ	20 kΩ	
Conformità IEC 1131-2		Tipo 2	Tipo 2	Tipo 2	Tipo 1	
Tipo d'ingresso		resistivo	capacitivo	capacitivo	capacitivo	
Parallelismo ingressi		Sì	Sì	Sì	Sì	
Compatibilità DDP 2 fili / 3 fili		EC 947-5-2	EC 947-5-2	EC 947-5-2	EC 947-5-2	
Soglia rilev. tensione sensore	Ok	> 18 V	> 36 V	> 82 V	> 164 V	
	Guasto	< 14 V	< 24 V	< 40 V	< 80 V	
Rigidità dielettrica (50/ 60 Hz, 1 mn)		1500 V eff.	1500 V eff.	1500 V eff.	1500 V eff.	
Consumo	5 V tipico	80 mA	80 mA	80 mA	80 mA	
	alim. sensori tip. (mA)	15+(Nx 15)	16+(Nx 16)	15+(Nx 15)	12+(Nx 12)	
Assorbimento per canale (2) (W)		1+(Nx 0,35)	1+(Nx 0,35)	1+(Nx 0,35)	1+(Nx 0,4)	

(1) fino a 34 V (1 h / 24 h)

(2) N = n. di canali a 1

Caratteristiche dei moduli d'ingresso a connettore(i)

Codice modulo TSX DEY (Valori d'ingresso : Tensione en VCA, Corrente en mA)						
Riferimento del modulo TSX DEY		16FK	32D2K	64D2K	32D3K	
Valori nominali d'ingresso		Tensione	24	24	24	48
		Corrente	3,5	3,5	3,5	7
Valori limiti d'ingresso	stato1	Tensione	≥ 11 V	≥ 11 V	≥ 11 V	≥ 30 V
		Corrente	3	3	3	≥6,5 (U = 30 V)
	stato 0	Tensione	≤ 5	≤ 5	≤ 5	≤ 10
		Corrente	1,5 mA	1,5 mA	1,5 mA	≤2 mA
Alimentazione sensori (ondulazione inclusa)		19...30 V (1)	19...30 V (1)	19...30 V (1)	38...60 V	
Impedenza d'ingresso (U nominale)		6,3 kΩ	6,3 kΩ	6,3 kΩ	6,3 kΩ	
Logique		positiva	positiva	positiva	positiva	
Tipo d'ingresso		corrente sink	corrente sink	corrente sink	corrente sink	
Conformità IEC 1131-		Tipo 1	Tipo 1	Tipo 1	Tipo 2	
Parallelismo degli ingressi		Sì	No	No	Sì	
Compatibilità DDP 2 fili / 3 fil		Sì	Sì	Sì	Sì	
Soglia rilev. tensione sensore		Ok	> 18 V	> 18 V	> 18 V	> 36 V
		Guasto	< 14 V	< 14 V	< 14 V	< 24 V
Rigidità dielettrica (50/ 60 Hz, 1 mn)		1500 V eff.	1500 V eff.	1500 V eff.	1500 V eff.	
Consumo (2)		5 V tipico	250 mA	135 mA	155 mA	300 mA
		24 V sensori tip.	20+(Nx 3,4)	30+(Nx 3,5)	60+(Nx 3,5)	50+(Nx 7)
Assorbimento (2) (W)		1,2+(Nx 0,1)	1+(Nx 0,1)	1,5+(Nx 0,1)	2,5+(Nx 0,34)	

(1) fino a 34 V (1 h / 24 h)

(2) N = n. di canali a 1

Caratteristiche dei moduli d'uscita a morsettiere

Uscite statiche per corrente continua (logica positiva)						
Codice modulo TSX DSY		08T2 / 16T2	08T22	08T31	16T3	
Valori nominali d'ingresso		Tensione	24 VCC/0,5A	24VCC	48VCC	48VCC
		Corrente	0,5A	2A	1A	0,25A
Valori limiti (per $U \leq 30$ o 34 V, ondulazione inclusa)	Tensione		19...30V(1)	19...30V(1)	38...60V	38...60V
	Corren./can.		0,625A	2,5A	1,25A	0,31A
	Corrente/ modulo		4A/7A	14A	7A	4A
Potenza lampada a filamento di tungsteno			6W	10W	10W	6W
Corrente di fuga		stato 0	<0,5mA	<1mA	<1mA	<0,5mA
		stato 1	<1,2V	<0,5V	<1V	<1,5V
Tensione di scarto			48 Ω	12 Ω	48 Ω	192 Ω
Impedenza di carico min.			1,2ms	200 μ s	300 μ s	1,2ms
Tempo di risposta			> 18 V	> 16 V	> 36 V	> 36 V
Soglia rilev.		Ok	< 14 V	< 14 V	< 24 V	< 24 V
tensione preattuatore		Guasto				
Rigidità dielettrica (50/60 Hz, 1 mn)			1500 V eff.	1500 V eff.	1500 V eff.	1500 V eff.
Consumo		5 V tipico	55/80 mA	55 mA	55 mA	80 mA
		alim. preattuatori	30/40mA	30mA	30mA	40mA
Assorbimento in watt (13)			1,1+(Nx 0,75)	1,3+(Nx 0,2)	2,2+(Nx 0,55)	2,4+(Nx 0,85)

Uscite a relè, corrente termica 3 A

Riferimento modulo TSX DSY		08RS / 16RS				
Tensione limite d'impiego		Corrente continua	10...34VCC			
		Corrente alternata	19...264VCA			
Corrente termica			3A			
Carico corrente	Resistivo regime AC12	Tensione	24 VCA	48 VCA	100...120 VCA	200...240 VCA
		Potenza	50VA (5)	50VA (6) 11VA (4)	110VA (6) 220VA (4)	220VA (6)
	Induttivo regime AC14 & AC15	Tensione	24 VCA	48 VCA	100...120 VCA	200...240 VCA
		Potenza	24VA (4)	10VA (10) 24VA (8)	10VA (11) 50VA (7) 110VA (2)	10VA (11) 50VA (9) 110VA (6) 220VA (1)
Carico corrente continua	Resistivo regime DC12	Tensione	24 VCC			
		Potenza	24 W (6) 40 W (3)			
	Induttivo regime DC13	Tensione	24 VCC			
		Potenza	10 W (8) 24W (6)			
Tempo di risposta		Innesco	< 8ms			
		Disinnesco	< 10ms			
Isolamento (50/ 60 Hz, 1 mn)			2000 V eff.			
Consumo		5 V tipico	55/80 mA			
		24V relè tip. (12)	(Nx 8,5)mA			
Assorbimento in watt (13)			0,25+(Nx 0,2)			

Uscite relè per corrente continua						
Codice modulo TSX DSY			08R4D			
Tensione limite d'impiego	Corrente continua		19...143VCC			
	Corrente alternata		non ammesso			
Corrente termica			5A (max. 6 A per comune)			
Carico corrente continua	Resistivo regime DC12	Tensione	24 VCC	48 VCC	100...130 VCC	
		Potenza	50 W (6) 100 W (3)	100 W (6) 200 W (3)	220 W (6) 440 W (3)	
	Induttivo regime DC13	Tensione	24 VCC	48 VCC	110 VCC	
		Potenza	20 W (8) 50 W (6)	50 W (8) 100 W (6)	110 W (8) 220 W (6)	
Tempo di risposta	Innesco		< 10ms			
	Disinnesco		< 15ms			
Isolamento	(50/ 60 Hz, 1 mn)		2000 V eff.			
Consumo	5 V tipico 55 mA		55 mA			
	24 V relè tipico (12)		(Nx 10)mA			
Assorbimento in watt (13)			0,25+(Nx 0,24)			

Uscite relè, corrente termica 5 A						
Codice modulo TSX DSY			08R5A			
Tensione limite d'impiego	Corrente continua		19...60VCC			
	Corrente alternata		19...264 VCA			
Corrente termica			5 A (max. 6 A per comune)			
Carico corrente alternata	Resistivo regime AC12	Tensione	24 VCA	48 VCA	100...120 VCA	200...240 VCA
		Potenza	100 VA (5)	100 VA (6) 200 VA (4)	220 VA (6) 440 VA (4)	440 VA (6)
	Induttivo regime AC14 & AC15	Tensione	24 VCA	48 VCA	100...120 VCA	200...240 VCA
		Potenza	50 VA (4)	20 VA (10) 50 VA (8)	20 VA (11) 110 VA (7) 220 VA (2)	20 VA (11) 110 VA (9) 220 VA (6) 440 VA (1)
Carico corrente continua	Resistivo regime DC12	Tensione	24 VCC	48 VCC		
		Potenza	24 W (6) 50 W (3)	50 W (6) 100 W (3)		
	Induttivo regime DC13	Tensione	24 VCC	48 VCC		
		Potenza	10 W (8) 24W (6)	24 W (8) 50 W (6)		
Tempo di risposta	Innesco		< 10ms			
	Disinnesco		< 15ms			
Isolamento	(50/ 60 Hz, 1 mn)		2000 V eff.			
Consumo	5 V tipico		55 mA			
	24 V relè tipico (12)		(Nx 10)mA			
Assorbimento in watt (13)			0,25+(Nx 0,24)			

(1) fino a 34 V (1 h / 24 h)

(4) 0,3 x 10⁶ azioni(7) 1 x 10⁶ azioni(10) 3 x 10⁶ azioni

(13) N = n. di canali a 1

(2) 0,1 x 10⁶ azioni(5) 0,5 x 10⁶ azioni(8) 1,5 x 10⁶ azioni(11) 5 x 10⁶ azioni(3) 0,15 x 10⁶ azioni(6) 0,7 x 10⁶ azioni(9) 2 x 10⁶ azioni(12) 10 x 10⁶ azioni

Uscite a triac		08S5 / 16S5	16S4
Codice modulo TSX DSY		08S5 / 16S5	16S4
Tensione limite d'uso		41...264 VCA	20...132 VCA
Corrente ammessa	TSX DSY 08S5	2 A / canale- 12 A / modulo	1 A / canale- 12 A / modulo
	TSX DSY 16S5	1 A / canale- 12 A / modulo	
Tempo di risposta	Innesco	< 10ms	< 10ms
	Disinnesco	< 10ms	< 10ms
Isolamento (50/ 60 Hz, 1 mn)		2000 V eff.	2000 V eff.
Consumo 5 V tipico	TSX DSY 08S5	125 mA	220 mA
	TSX DSY 16S5	220 mA	
Assorbimento (W)	TSX DSY 08S5	0,5W + 1W/A /uscita	0,85W + 1 W/A /uscita
	TSX DSY 16S5	0,5W + 11W/A /uscita	

Caratteristiche dei moduli di uscita a connettore(i)

Uscite statiche per corrente continua (logica positiva)			
Codice modulo TSX DSY		32T2K	64T2K
Valori nominali	Tensione	24 VCC	24 VCC
	Corrente	0,1 A	0,1 A
Valori limite (1) (per $U \leq 30$ o 34 V, ondulazione inclusa)	Tensione	19...30 V(1)	19...30 V(1)
	Corrente/can.	0,125 A	0,125 A
	Corrente/modulo	3,2 A	5 A
Potenza lampada a filamento di tungsteno		1,2 W (maximum)	1,2 W (maximum)
Corrente di fuga	stato 0	< 0,1 mA per $U = 30$ V	< 0,1 mA per $U = 30$ V
Tensione di scarto	stato 1	< 1,5 V per $I = 0,1$ A	< 1,5 V per $I = 0,1$ A
Impedenza di carico min.		220 Ω	220 Ω
Parallelismo delle uscite		Si: 3 max.	Si: 3 max.
Tempo di risposta		1,2ms	1,2ms
Soglia controllo tens.	Ok	> 18 V	> 16 V
	Guasto	< 14 V	< 14 V
Rigidità dielettrica (50/ 60 Hz, 1 mn)		1500 V eff.	1500 V eff.
Consumo	5 V tipico	135 mA	155 mA
	24 V sensori tip.	30 mA	60 mA
Assorbimento (2) (W)		1,6 +(Nx 0,1)	2,4+(Nx 0,1)

(1) fino a 34 V (1 h / 24 h)

(2) N = n. di canali

Caratteristiche del modulo misto di I/O a connettori

Caratteristiche degli ingressi

Codice modulo TSX DMY		28FK / 28RFK	
Valori nominali d'ingresso	Tensione	24 VCC	
	Corrente	3,5 mA	
Valori limiti d'ingresso	stato 1	Tensione	≥ 11 V
		Corrente	3 mA
	stato 0	Tensione	≤ 5 V
		Corrente	≤ 1,5 mA
	Alimentazione sensori (ondulazione inclusa)		19...30 V (fino a 34 V (1 h / 24 h))
	Impedenza d'ingresso (U nominale)		6,3 kΩ
Tipo d'ingresso		corrente sink	
Parallellismo degli ingressi		SI	
Compatibilità DDP 2 fili / 3 fili		SI	
Soglia contr. tensione sensore	Ok	> 18 V	
	Guasto	< 14 V	
Rigidità dielettrica (50/ 60 Hz, 1 mn)		1500 V eff.	
Consumo	5 V tipico	300 mA	
	24 V sensori tipico	20+(Nx 3,5) mA	
Assorbimento		0,1	

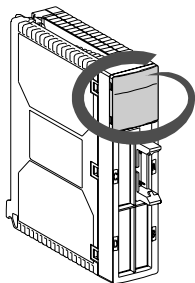
Caratteristiche delle uscite

Codice modulo TSX DMY		28FK / 28RFK
Valori nominali di uscita	Tensione	24 VCC
	Corrente	0,5 A
Valori limiti d'uscita	Tensione	19...30 V(fino a 34V (1h / 24h))
	Corrente/canale	0,625 mA
	Corrente/ modulo	4 A
Potenza lampada a filamento di tungsteno		6 W
Corrente di fuga	stato 0	<1 mA
Tensione di scarto	stato 1	<1,2 V
Impedenza di carico min.		48 Ω
Tempo di risposta		0,6 ms
Soglia contr. tensionetension preattuatore	Ok	> 18 V
	Guasto	< 14 V
Rigidità dielettrica (50/ 60 Hz, 1 mn)		1500 V eff.
Consumo	24 V preattuatori	30 / 40 mA
Assorbimento		1 W + 0,75 W per uscita allo stato 1

Manutenzione / Diagnostica

Le spie di stato posizionate sulla parte frontale del modulo, consentono di svolgere una :

- 3 spie di stato segnalano il funzionamento del modulo
 - RUN** (verde: stato del modulo (accesa: funzionamento normale; spenta: modulo guasto),
 - ERR** (rosso: guasti interni (accesa: modulo fuori servizio; lampeggiante: guasto di comunicazione),
 - **I/O** (rosso: guasti esterni (accesa: sovraccarico, corto circuito, tensione non corretta ai sensori / pre-azionatori; lampeggiante: morsetteria guasta).



⚠ Durante gli auto-test le spie RUN, ERR e I/O lampeggiano.

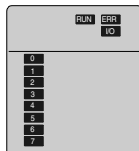
•8, 16 o 32 spie di stato dei canali segnalano lo stato di ogni ingresso o uscita (accesa: canale nello stato 1; lampeggiante: canale guasto, sovraccarico corto circuito; spento: canale nello stato 0).

Inoltre, la spia **+32**, presente sui moduli a 64 canali, indica il gruppo di canali visualizzati (spento: canali da 0 a 31; acceso: canali da 32 a 63). Un apposito pulsante (presente solo sul modulo a 64 canali) permette di selezionare il gruppo di canali.

Nel caso di un modulo misto di I/O 28/I/O (16 I + 12 O):

- le spie da 0 a 15 visualizzano lo stato degli ingressi,
- le spie da 16 a 27 visualizzano lo stato delle uscite.

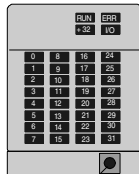
Modulo a 8 canali






Modulo a 16 canali



Modulo a 28/32/64 canali



Pulsante di selezione

	Accesa 	Lampeggiante 	Spenta 
RUN	Funzionamento normale	-	Modulo guasto o non alimentato
ERR	Guasto interno modulo guasto	Errore di comunicazione se spia RUN accesa Modulo non configurato se spia RUN spenta (1)	Nessun guasto modulo
I/O	Guasto esterno: sovraccarico, corto circuito, errore di tensione sensori/preattuatori	Guasto morsetteria	Nessun guasto esterno
0...i	canale allo stato 1	Canale guasto, sovraccarico corto circuito	Canale allo stato 0

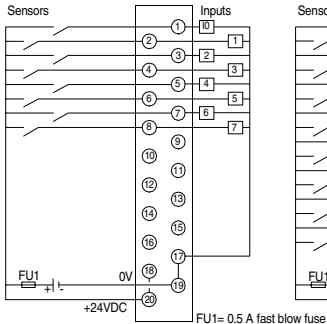
(1) Questo stato è disponibile solo sulle versioni del modulo V ≥ V2.0.

Condizioni ambientali di esercizio

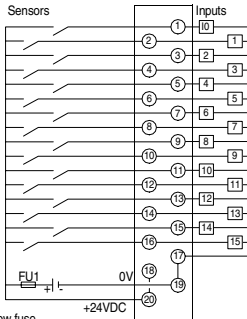
Temperatura di funzionamento		da 0 a 60° C
Umidità relativa		da 10 a 95% (senza condensa)
Altitudine di funzionamento		da 0 a 2000 m
Immunità alle	vibrazioni	IEC 68-2-6, prova Fc, severità 2 g
	shock	IEC 68-2-27, prova Ea
Tenuta alle scariche elettrostatiche		IEC 1000-4-2, livello 3
Immunità a	campi elettromagnetici	IEC 1000-4-3, livello 3
	transitori rapidi	IEC 1000-4-3, livello 3
	onde da shock	IEC 1000-4-5
	onde oscillatorie ammort.	IEC 1000-4-12
Tenuta ai parassiti in BF		IEC 1131-2
Temperatura di immagazzinamento		-25...+70° C
Sicurezza meccanica		IP 20 con coperchietti TSX RKA 01

Discrete input modules

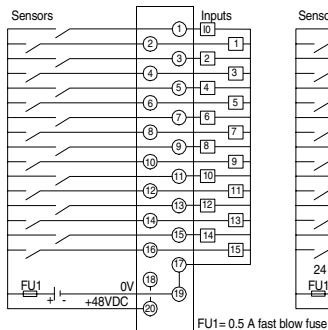
TSX DEY 08D2



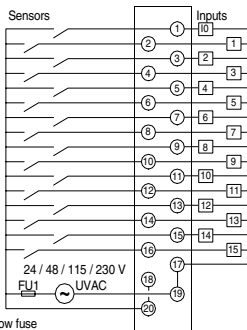
TSX DEY 16D2



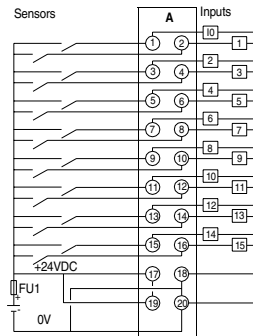
TSX DEY 16D3



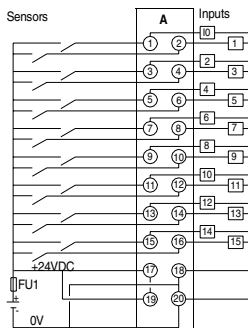
TSX DEY 16A2 / 16A3 / 16A4 / 16A5



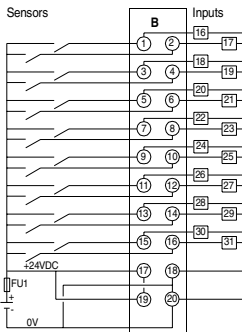
TSX DEY 16FK



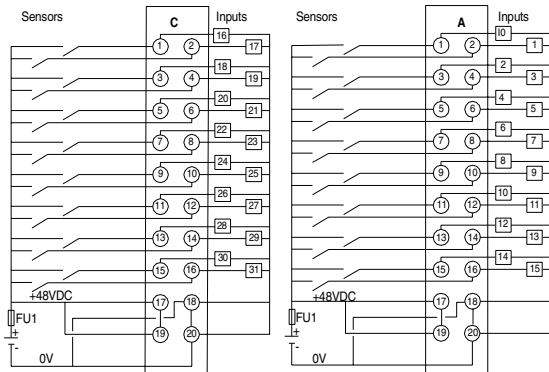
TSX DEY 32D2K



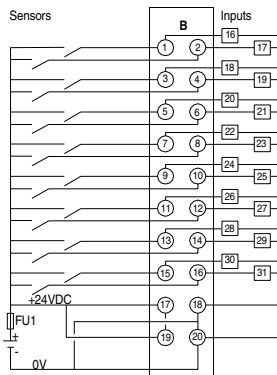
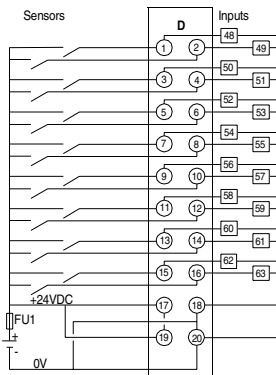
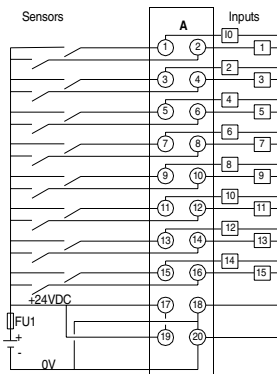
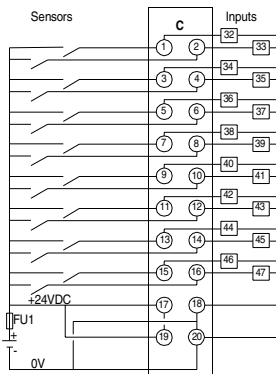
FU1= 0.5 A fast blow fuse



Pin number (HE10)	Wire colors (TSX CDP*01 cables), in English / Deutsch / Français / Español / Italiano
1	White / weiß / Blanc / Bianco / Bianco
2	Brown / braun / Marron / Marrón / Marrone
3	Green / grün / vert / Verde / Verde
4	Yellow / gelb / Jaune / Amarillo / Giallo
5	Grey / grau / Gris / Gris / Grigio
6	Pink / rosa / Rose / Rosa / Rosa
7	Blue / blau / Bleu / Azul / Blu
8	Red / rot / Rouge / Rojo / Rosso
9	Black / schwarz / Noir / Negro / Nero
10	Purple / violett / Violet / Morado / Viola
11	Grey - pink / grau - rosa / Gris - rose / Gris - rosa / Grigio - rosa
12	Red - blue / rot - blau / Rouge - bleu / Rojo - azul / Rosso - blu
13	White - green / weiß - grün / Blanc - vert / Bianco - verde / Bianco - verde
14	Brown - green / braun - grün / Marron - vert / Marrón - verde / Marrone - verde
15	White - yellow / weiß - gelb / Blanc - Jaune / Bianco - Amarillo / Bianco - giallo
16	Yellow - brown / gelb - braun / Jaune - marron / Amarillo - marrón / Giallo - marrone
17	White - grey / weiß - grau / Blanc - gris / Bianco - gris / Bianco - grigio

TSX DEY 32D3K (See TSX CDP *01 wiring above)


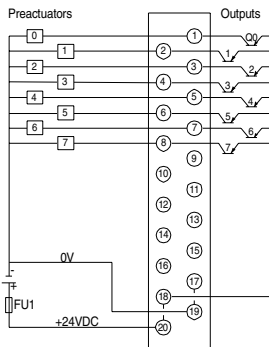
FU1= 0.5 A fast blow fuse



FU1= 0.5 A fast blow fuse

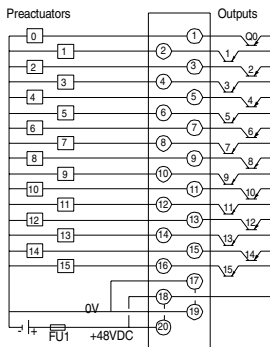
Discrete output modules

TSX DSY 08T2

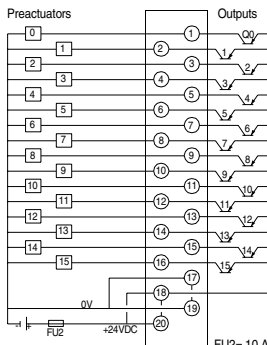


FU1= 6.3 A fast blow fuse

TSX DSY 16T3

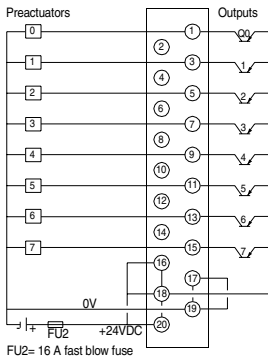


TSX DSY 16T2

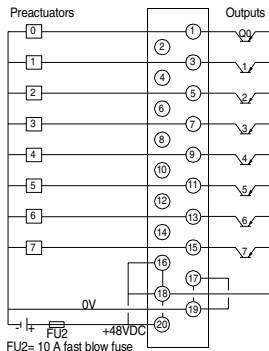


FU2= 10 A fast blow fuse

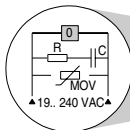
TSX DSY 08T22



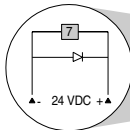
TSX DSY 08T31



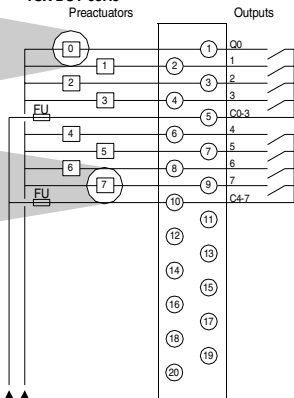
AC
LOAD



DC
LOAD

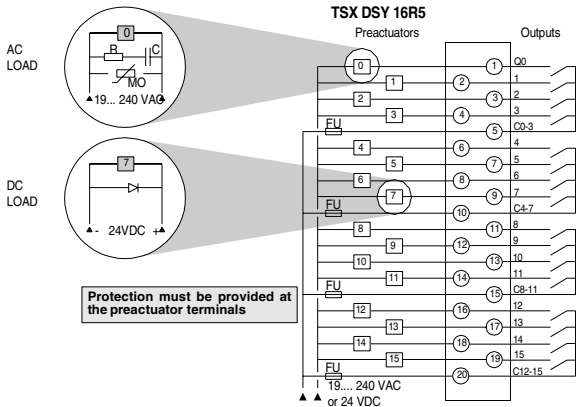


TSX DSY 08R5

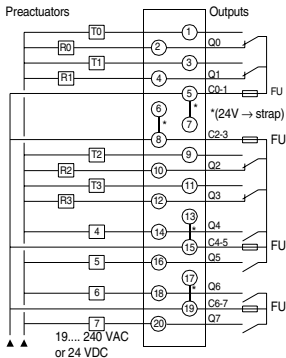


**Protection must be provided at
the preactuator terminals**

19... 240 VAC
or 24 VDC

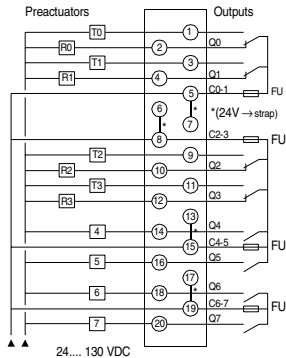


TSX DSY 08R5A



FU= 6.3 A
fast blow fuse

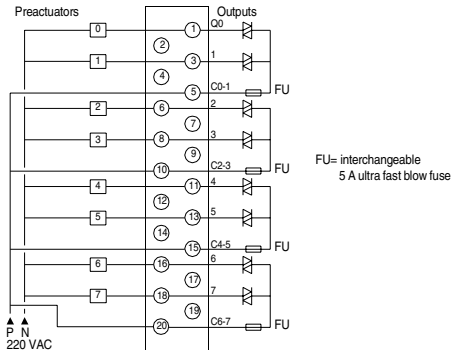
TSX DSY 08R4D



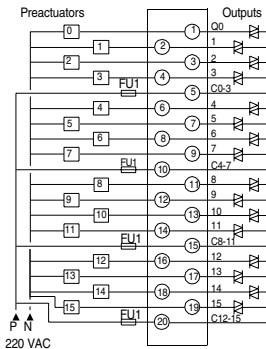
* make connection
if using 24 VAC or 24 VDC

FU= 6.3 A
fast blow fuse

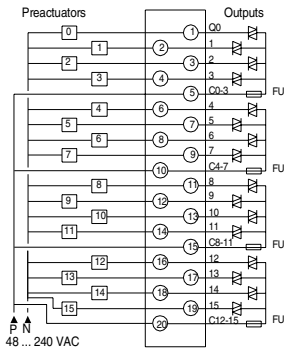
TSX DSY 08S5



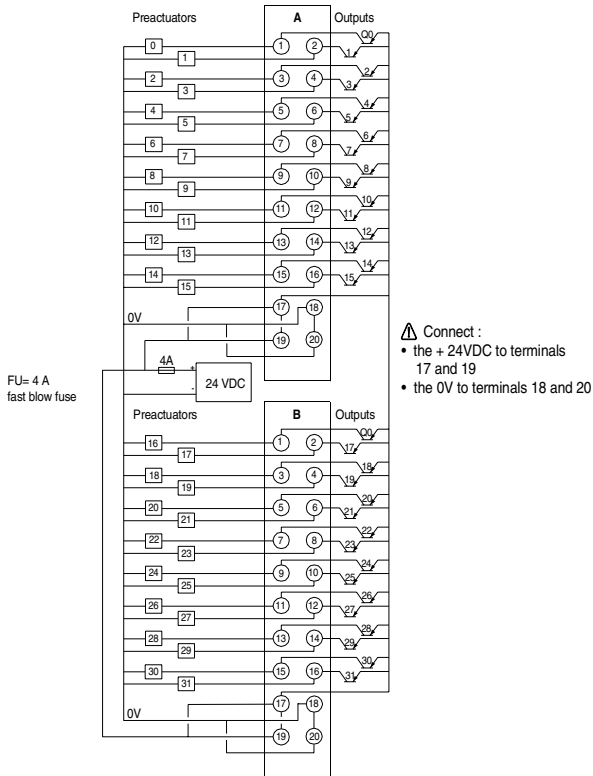
TSX DSY 16S4



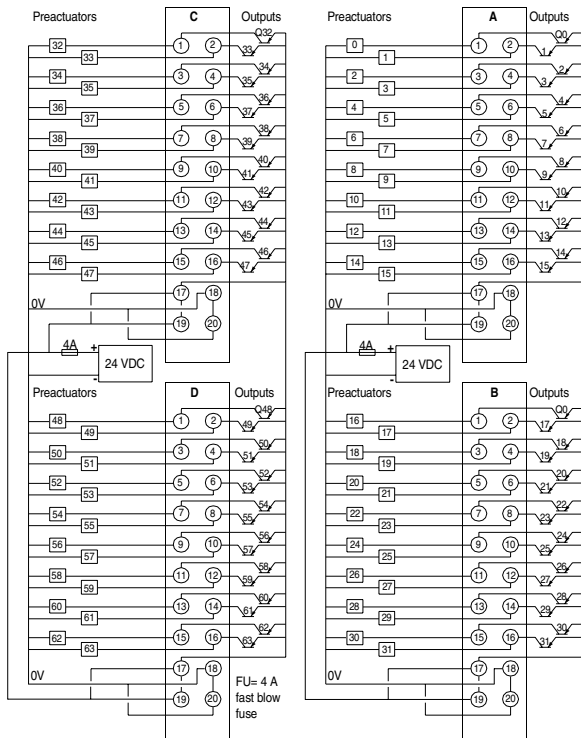
TSX DSY 16S5



TSX DSY 32T2K (See TSX CDP •01 wiring on page 3)



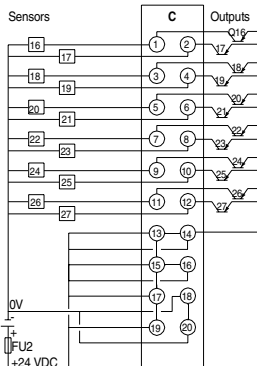
TSX DSY 64T2K (See TSX CDP •01 wiring on page 3)



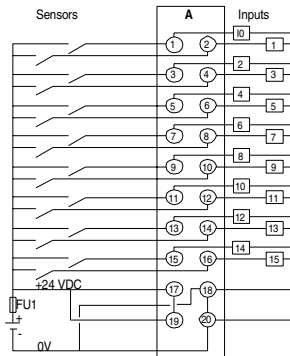
⚠ Connect the + 24VDC to terminals 17 and 19 and the 0V to terminals 18 and 20

Discrete mixed I/O module

TSX DMY 28FK/28RFK (See TSX CDP •01 wiring on page 3)



FU2= 2 A fast blow fuse



FU1= 0,5 A fast blow fuse

35006706 06

Schneider Electric

Headquarters

35, rue Joseph Monier
F - 92506 Rueil Malmaison Cedex

<http://www.schneider-electric.com>

Owing to changes in standards and equipment,
the characteristics given in the text and images
in this document are not binding us
until they have been confirmed with us.

Printed in

October 2009