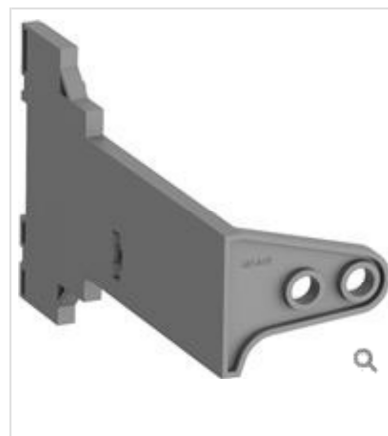


# MSAH1

[Print View..](#)  
[Print to Pdf..](#)

## General Information

<b>Extended Product Type:</b>	MSAH1
<b>Product ID:</b>	1SAM201909R1021
<b>EAN:</b>	4013614483615
<b>Catalog Description:</b>	MSAH1 Shaft Supporter
<b>Long Description:</b>	MSAH1 Shaft Supporter suitable for MS116, MS132/MO132



## Categories

Products » Low Voltage Products and Systems » Control Products » Manual Motor Starters » Manual Motor Starters Accessories

## Ordering

<b>EAN:</b>	4013614483615
<b>Minimum Order Quantity:</b>	1 piece
<b>Customs Tariff Number:</b>	39089000

## Container Information

<b>Package Level 1 Width:</b>	150.0 mm
<b>Package Level 1 Length:</b>	90.0 mm
<b>Package Level 1 Height:</b>	220.0 mm
<b>Package Level 1 Gross Weight:</b>	0.040 kg
<b>Package Level 1 Units:</b>	1 piece

## Dimensions

<b>Product Net Width:</b>	57.0 mm
<b>Product Net Height:</b>	90.0 mm
<b>Product Net Depth:</b>	145.0 mm
<b>Product Net Weight:</b>	0.035 kg

## Technical

<b>Shaft Diameter:</b>	6x6 mm
<b>Product Name:</b>	Shaft Supporter
<b>Suitable For:</b>	MS116 MS132 MO132
<b>Suitable for Product Class:</b>	Manual Motor Starters

## Environmental

<b>RoHS Status:</b>	Following EU Directive 2002/95/EC August 18, 2005 and amendment
---------------------	---

## Certificates and Declarations (Document Number)

<b>RoHS Information:</b>	1SAA963001-4407
--------------------------	-----------------