

Electrical connection

Connection	0.25 mm ² ...2.5 mm ²
Interconnected operation type	Series wiring: max. 2 devices Parallel wiring: not possible
Short-circuit protection	Forward characteristic

Electrical data

Derating	-2.5 %/°C > +61 °C
Efficiency typ.	89 %
Hold-up time	≥ 20 ms at 115 V AC ≥ 30 ms at 230 V AC
Input fuse	T 2 A
Input voltage	100...240 V AC, 1-phase
Input voltage	85...264 V AC 90...375 V DC
Input/output insulation voltage	3000 V AC
Inrush current	≤ 20 A at 115 V AC ≤ 40 A at 230 V AC
Isolation resistance	≥ 100 MOhm
Load control	±1 % single
Output capacity max.	60 W
Output voltage	24 VDC
Output voltage, tolerance	+1 %
Protection class	I
Rated input current	1.1 A at 115 V AC 600 mA at 230 V AC
Rated output current	2.5 A
Residual ripple max.	50 mV
Setting range	22.5...28.5 V DC
Settling time	2 ms

Switching Power Supplies
BAE PS-XA-1W-24-025-002
Order Code: BAE0005

BALLUFF

Switching frequency	80000 Hz
Turn-on time max.	1 s
Voltage control	1 %
Working frequency	47...63 Hz

Environmental conditions

Ambient temperature	-40...70 °C
Contamination scale	2
Cooling	Free convection
EN 60068-2-27, Shock	15 g, 11 ms, xyz-axis, 6 surfaces (3x)
EN 60068-2-6, Vibration	2 g, 10...500 Hz, xyz-axis, 60 min
IP rating	IP20
Over temperature	protected
Relative humidity	20...95 %, non-condensing
Storage temperature	-40...85 °C
Temperature coefficient max.	±0.03 %/K

Functional safety

MTTF (40 °C)	66 a
--------------	------

Remarks

Values measured at +25 °C and full load.

In parallel operation the load must be in a range of 10%-90% of the maximum load. The cable routing for the load must be symmetrical.

For further information about the MTTF and B10d see MTTF / B10d certificate

Indication of the MTTF- / B10d value does not represent a binding composition and/or life expectancy assurance; these are simply experiential values with no warranty implications. These declared values also do not extend the expiration period for defect claims or affect it in any way.

General data

Approval/Conformity	CE CCC cULus WEEE
Basic standard	EN 61204
Series	Standard
Short description	Switching power supply
Trademark	Global
Version	DIN rail

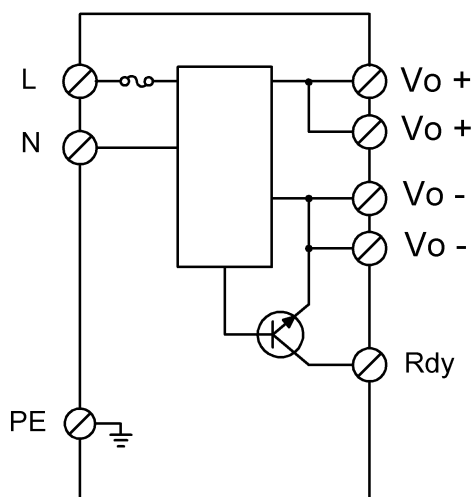
Material

Housing material	Plastic
------------------	---------

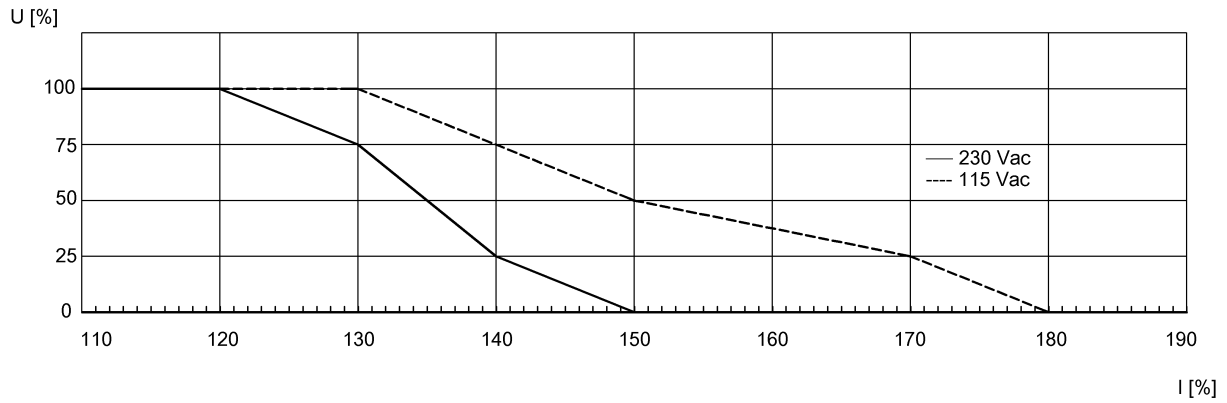
Mechanical data

Dimension	40.5 x 90 x 114 mm
Mounting	DIN rail mount
Weight	0.34 kg

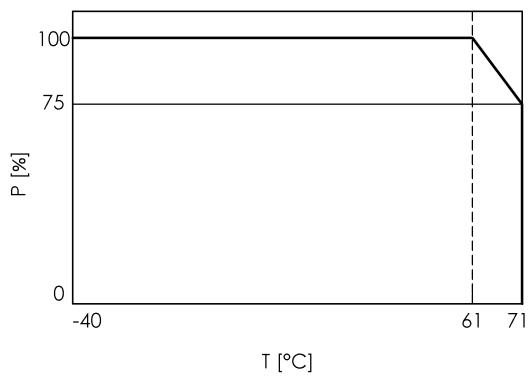
Wiring Diagrams



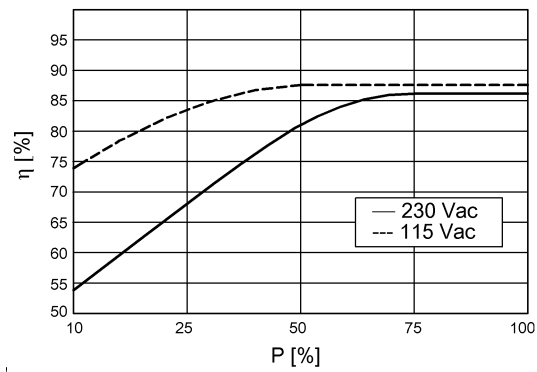
Help Views



Output characteristic curve (typ.)



Derating curve



Efficiency (typ.)