

Electrical connection

Connection	0.25 mm ² ...4 mm ²
Interconnected operation type	Parallel wiring: max. 3 devices Series wiring: max. 2 devices
Short-circuit protection	Forward characteristic

Electrical data

Derating	-2.5 %/°C > +61 °C
Efficiency typ.	86 %
Hold-up time	≥ 30 ms at 230 V AC ≥ 25 ms at 115 V AC
Input fuse	T 3.15 A
Input voltage	115/230 V AC automatic selection
Input voltage	90...132 V AC 180...264 V AC 210...375 V DC
Input/output insulation voltage	3000 V AC
Inrush current	≤ 24 A at 115 V AC ≤ 48 A at 230 V AC
Isolation resistance	≥ 100 MOhm
Load control	±5 % parallel ±1 % single
Output capacity max.	120 W
Output voltage	24 VDC
Output voltage, tolerance	+1 %
Protection class	I
Rated input current	830 mA at 230 V AC 2.2 A at 115 V AC
Rated output current	5 A
Residual ripple max.	50 mV

Switching Power Supplies
BAE PS-XA-1W-24-050-003
Order Code: BAE0006

BALLUFF

Setting range	22.5...28.5 V DC
Settling time	2 ms
Switching frequency	55000 Hz
Turn-on time max.	1 s
Voltage alarm max.	60 V DC/18 V AC
Voltage control	1 %
Working frequency	47...63 Hz

Environmental conditions

Ambient temperature	-35...70 °C
Contamination scale	2
Cooling	Free convection
EN 60068-2-27, Shock	15 g, 11 ms, xyz-axis, 6 surfaces (3x)
EN 60068-2-6, Vibration	2 g, 10...500 Hz, xyz-axis, 60 min
IP rating	IP20
Over temperature	protected
Relative humidity	20...95 %, non-condensing
Storage temperature	-40...85 °C
Temperature coefficient max.	±0.03 %/K

Functional safety

MTTF (40 °C)	61 a
--------------	------

General data

Approval/Conformity	CE CCC cULus WEEE
Basic standard	EN 61204
Series	Standard
Short description	Switching power supply
Trademark	Global
Version	DIN rail

Material

Housing material	Metal
------------------	-------

Mechanical data

Dimension	64 x 124.5 x 116.6 mm
Mounting	DIN rail mount
Weight	0.92 kg

Remarks

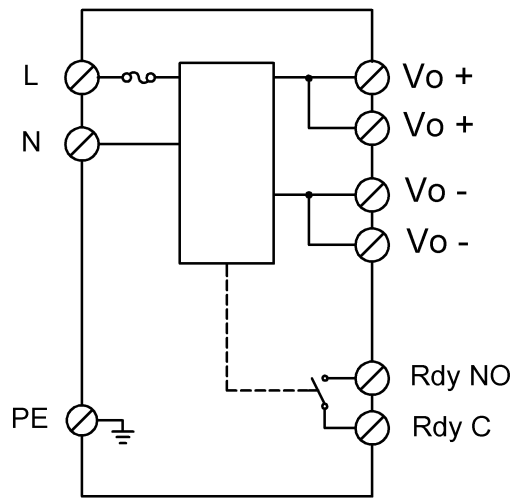
Values measured at +25 °C and full load.

In parallel operation the load must be in a range of 10%-90% of the maximum load. The cable routing for the load must be symmetrical.

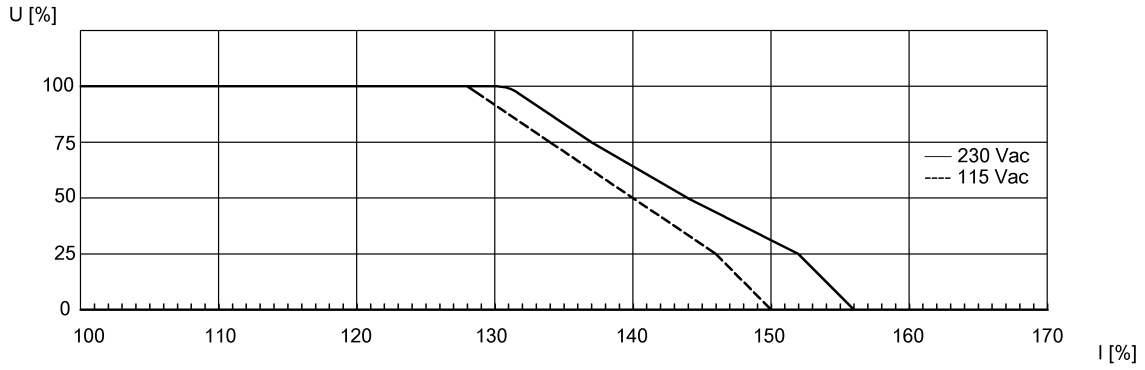
For further information about the MTTF and B10d see MTTF / B10d certificate

Indication of the MTTF- / B10d value does not represent a binding composition and/or life expectancy assurance; these are simply experiential values with no warranty implications. These declared values also do not extend the expiration period for defect claims or affect it in any way.

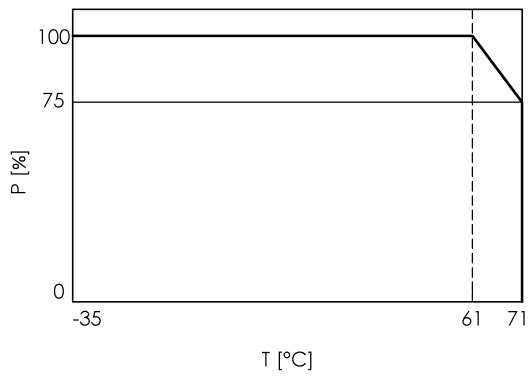
Wiring Diagrams



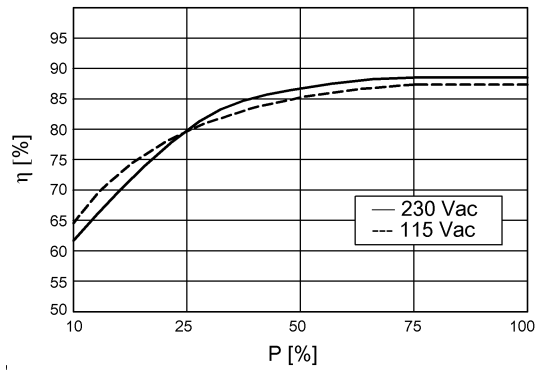
Help Views



Output characteristic curve (typ.)



Derating curve



Efficiency (typ.)