

Emergency stop and safety gate modules NA12D

CARLO GAVAZZI



- Safety Category 4 according to EN 954-1
- Redundant circuit
- Force guided relay contacts
- Dual channel input
- 2 NO safety outputs
- Failure diagnosis by LEDs
- Feedback circuit for external contactors monitoring
- Automatic or manual start

Product Description

Emergency stop and safety gate module according to EN 60204-1, EN 292-1 /-2, EN 418 and EN 1088. The safety module is in safety category 4 and is provided with 2 NO safety outputs. It can be used together with safety magnetic sensors SMS series, safety switches or emergency push buttons.

Ordering Key

NA12 D

Housing _____
 Application _____
 Controlled Devices _____
 Safety Outputs _____
 Safety Category _____

Electrical Specifications

| | |
|----------------------------|--|
| Power supply | 24 VAC -15/+10% 50-60Hz / 24 VDC -15/+10% |
| Power consumption | < 5 VA / 5 W |
| Safety outputs | 2 NO |
| Auxiliary outputs | -- |
| Contact ratings | |
| Resistive loads AC1 | 6 A @ 230 VAC |
| DC12 | 6 A @ 24 VDC |
| Small inductive loads AC15 | 3 A @ 230 VAC |
| DC13 | 2.5 A @ 24 VDC |

| | |
|--|--|
| Safety output contact fuse protection | 5 A fast or 4 A delayed |
| Insulation voltage | none |
| Supply to input | 4 kV 1.2/50µs |
| Supply to output | 4 kV 1.2/50µs |
| Input to output | Pollution degree 2 Overvoltage category III |

Time Specifications

| | |
|---------------------------------|----------|
| Delay on energisation | ≤ 150 ms |
| Delay on de-energisation | ≤ 30 ms |
| Recovery time | ≥ 30 ms |
| Channel simultaneity | ∞ |

Environmental Specifications

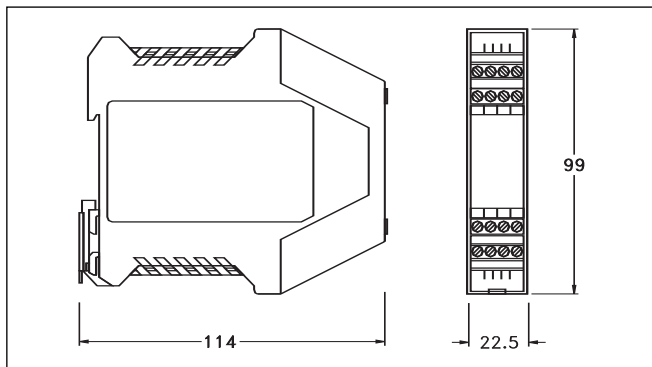
| | |
|------------------------------|------------------|
| Operating temperature | -20°C ... + 65°C |
| Storage temperature | -25°C ... + 65°C |

Mechanical Specifications

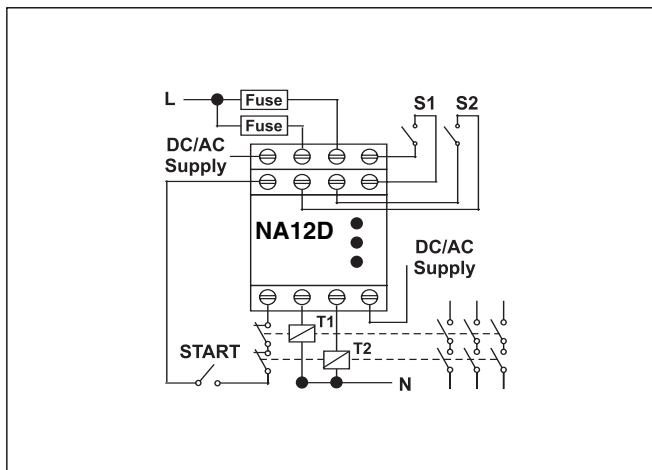
| | |
|------------------------------------|------------------------|
| Protection degree terminals | IP 20 |
| Protection degree housing | IP 40 |
| Housing material | Polyamid PA 6.6 |
| Housing type | 22.5 mm housing models |
| Mounting | DIN rail |

| | |
|---|---|
| Max cross section of external conductors | 2.5 mm ² flexible wire 2.5 mm ² rigid wire |
| Dimensions | 22.5 x 99 x 114 mm |
| Weight | 200 g |

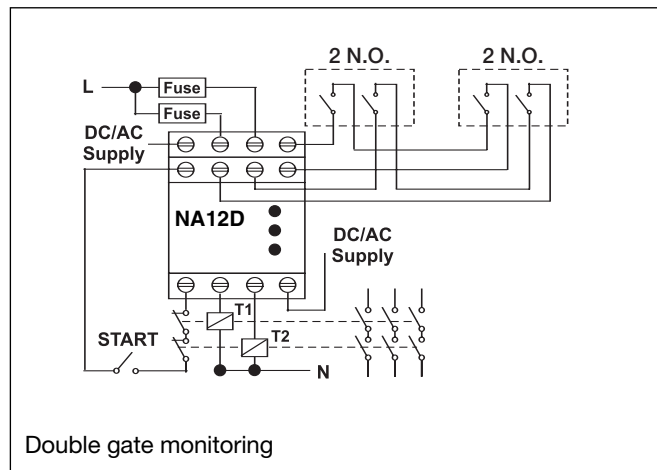
Dimensions



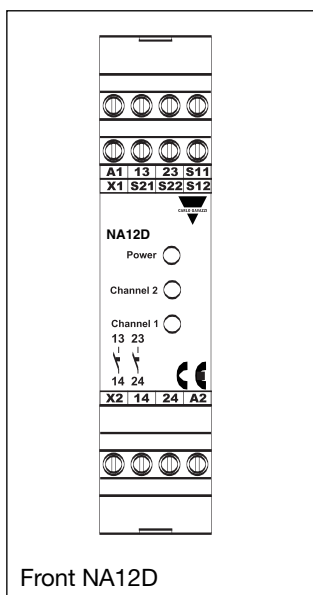
Wiring Diagrams



Application



Connection Sample



Connections

| Terminal | Function/Connection |
|----------|----------------------------------|
| A1 | +24 VDC or AC supply |
| A2 | GND or AC supply |
| S11-S12 | First input channel (NO) |
| S21-S22 | Second input channel (NO) |
| X1-X2 | Feedback and Reset circuit input |
| 13-14 | First safety output (NO) |
| 23-24 | Second safety output (NO) |