

**9PX8KSP
9PX10KSP
9PXEBM360SP**

**Installation
and user manual**

Copyright © 2014 **EATON**
All rights reserved.

Service and support:
Call your local service representative

SAFETY INSTRUCTIONS

SAVE THESE INSTRUCTIONS. This manual contains important instructions that should be followed during installation and maintenance of the UPS and batteries.

The 9PX models that are covered in this manual are intended for installation in an environment within 32 to 104°F / 0 to 40°C, free of conductive contaminant.

This equipment has been tested and found to comply with the limits for a Class A digital device, pursuant to Part 15 of the FCC Rules. These limits are designed to provide reasonable protection against harmful interference when the equipment is operated in a commercial environment. This equipment generates, uses, and can radiate radio frequency energy and, if not installed and used in accordance with the instruction manual, may cause harmful interference to radio communications. Operation of this equipment in a residential area is likely to cause harmful interference in which case the user will be required to correct the interference at his own expense.

Certification standards

- Safety: UL 1778 4th
CAN/CSA C22.2 No 107.3-05, Ed.2.
- EMC: IEC/EN 62040-1 / Ed.1: 2008
IEC/EN 62040-2 / Ed.2: 2006.
FCC part 15 Class A.
- Performance: IEC/EN 62040-3 / Ed.2.0: 2011.
- IEC 61000-4-2 (ESD): level 3.
- IEC 61000-4-3 (Radiated field): level 3.
- IEC 61000-4-4 (EFT): level 4.
- IEC 61000-4-5 (Fast transients): level 4.
- IEC 61000-4-6 (Electromagnetic field): level 3.
- IEC 61000-4-8 (Conducted magnetic field): level 4.

Special symbols

The following are examples of symbols used on the UPS or accessories to alert you to important information:



RISK OF ELECTRIC SHOCK - Observe the warning associated with the risk of electric shock symbol.



Important instructions that must always be followed.



Do not discard the UPS or the UPS batteries in the trash.
This product contains sealed lead acid batteries and must be disposed as it's explain in this manual.
For more information, contact your local recycling/reuse or hazardous waste center.



This symbol indicates that you should not discard waste electrical or electronic equipment (WEEE) in the trash. For proper disposal, contact your local recycling/reuse or hazardous waste center.



Information, advice, help.



Refer to the user manual of UPS accessories.

Safety of persons

- **RISK OF VOLTAGE BACKFEED.** The system has its own power source (the battery). Isolate the UPS and check for hazardous voltage upstream and downstream during lockout-tagout operation. Terminal blocks may be energized even if the system is disconnected from the AC power source.
- Dangerous voltage levels are present within the system. It should be opened exclusively by qualified service personnel.
- The system has its own power source (the battery). Consequently, the power outlets may be energized even if the systems is disconnected from the AC power source. Dangerous voltage levels are present within the system. It should be opened exclusively by qualified service personnel.
- The system must be properly grounded.
- The battery supplied with the system contains small amounts of toxic materials. To avoid accidents, the directives listed below must be observed:
 - Servicing of batteries should be performed or supervised by personnel knowledgeable about batteries and the required precautions.
 - When replacing batteries, replace with the same type and number of batteries or battery packs.
 - Do not dispose of batteries in a fire. The batteries may explode.
 - Batteries constitute a danger (electrical shock, burns). The short-circuit current may be very high.
- Precautions must be taken for all handling:
 - Wear rubber gloves and boots.
 - Do not lay tools or metal parts on top of batteries.
 - Disconnect charging source prior to connecting or disconnecting battery terminals.
 - Determine if battery is inadvertently grounded. If inadvertently grounded, remove source from ground. Contact with any part of a grounded battery can result in electrical shock. The likelihood of such shock can be reduced if such grounds are removed during installation and maintenance (applicable to equipment and remote battery supplies not having a grounded supply circuit).

Product safety

- The UPS connection instructions and operation described in the manual must be followed in the indicated order.
- **CAUTION** - To reduce the risk of fire, the unit connects only to a circuit provided with branch circuit overcurrent protection with:
 - 60A rating, for 8kVA models,
 - 60A rating, for 10kVA models,
 in accordance with the National Electric Code, ANSI/NFPA 70. The upstream circuit breaker must be easily accessible. The unit can be disconnected from AC power source by opening this circuit breaker.
- A means of disconnection and overcurrent protection devices shall be provided by others for permanently connected AC input/output circuits.
- Check that the indications on the rating plate correspond to your AC powered system and to the actual electrical consumption of all the equipment to be connected to the system.
- For **PLUGGABLE EQUIPMENT**, the socket-outlet shall be installed near the equipment and shall be easily accessible
- Never install the system near liquids or in an excessively damp environment.
- Never let a foreign body penetrate inside the system.
- Never block the ventilation grates of the system.
- Never expose the system to direct sunlight or source of heat.
- If the system must be stored prior to installation, storage must be in a dry place.
- The admissible storage temperature range is 32 to 104°F / 0 to 40°C.
- The system is not for use in a computer room AS DEFINED IN the standard for the Protection of Information Technology Equipment, ANSI/NFPA 75. Contact Eaton resellers to order a special battery kit, if needed to meet the ANSI/NFPA 75 requirement.

For Model 9PX8KSP, Disconnection Device - **CAUTION** - A disconnect switch shall be provided by others for AC output circuit. To reduce the risk of fire, connect only to a circuit provided with branch circuit overcurrent protection for 40 amperes rating in accordance with the National Electric Code. ANSI/NFPA 70.

For Model 9PX10KSP, Disconnection Device - **CAUTION** - A disconnect switch shall be provided by others for AC output circuit. To reduce the risk of fire, connect only to a circuit provided with branch circuit overcurrent protection for 45 amperes rating in accordance with the National Electric Code. ANSI/NFPA 70.

SAFETY INSTRUCTIONS

Special precautions

- The unit is heavy: wear safety shoes and use vacuum lifter preferentially for handling operations.
- All handling operations will require at least two people (unpacking, lifting, installation in rack system).
- For EBM, straps are provided only for unpacking manually the unit from the carton; don't use the straps to carry the unit around. The unit can slip from the straps during handling (risk of injury and product damage):
 - keep 12in / 30cm minimum distance between the straps
 - lift the unit carefully and keep it at low height
 - keep the unit horizontal during unpacking.
- Before and after the installation, if the UPS remains de-energized for a long period, the UPS must be energized for a period of 24 hours, at least once every 6 months (for a normal storage temperature less than 77°F (25°C)). This charges the battery, thus avoiding possible irreversible damage.
- During the replacement of the Battery Module, it is imperative to use the same type and number of element as the original Battery Module provided with the UPS to maintain an identical level of performance and safety. In case of doubt, don't hesitate to contact your EATON representative.
- All repairs and service should be performed by **AUTHORIZED SERVICE PERSONNEL ONLY**. There are **NO USER SERVICEABLE PARTS** inside the UPS.

| | |
|--|-----------|
| 1. Introduction..... | 6 |
| 1.1 Environmental protection..... | 6 |
| 2. Presentation..... | 8 |
| 2.1 Weights and dimensions | 8 |
| 2.2 Rear panel layout | 9 |
| 2.3 Accessories (optional)..... | 9 |
| 3. Installation for 9PX 8K SP and 9PX 10K SP..... | 10 |
| 3.1 Inspecting the equipment | 10 |
| 3.2 Unpacking the cabinet | 10 |
| 3.3 Checking the accessory kit (9PX 8K SP/9PX 10K SP) | 11 |
| 3.4 Tower installation | 12 |
| 3.5 Rack installation | 13 |
| 3.6 Connecting the internal battery | 14 |
| 4. Installation for EBM(s) | 15 |
| 4.1 Inspecting the equipment | 15 |
| 4.2 Unpacking the cabinet | 15 |
| 4.3 Checking the accessory kit..... | 16 |
| 4.4 Prepare installation | 17 |
| 4.5 Tower installation | 18 |
| 4.6 Rack installation | 19 |
| 4.7 Connecting the EBM(s) | 20 |
| 4.8 Connecting other accessories | 20 |
| 5. Power cables connection | 21 |
| 5.1 Installation requirements | 21 |
| 5.2 Hardwired Input/Output connection | 22 |
| 6. HMI and settings | 23 |
| 6.1 Control panel..... | 23 |
| 6.2 LCD description | 24 |
| 6.3 Display functions | 25 |
| 6.4 User settings | 25 |
| 7. Operation | 27 |
| 7.1 UPS startup and shutdown..... | 27 |
| 7.2 Operating modes | 28 |
| 7.3 Transferring the UPS between modes..... | 29 |
| 7.4 Configuring Bypass settings..... | 29 |
| 7.5 Configuring battery settings | 29 |
| 7.6 Retrieving the Event log..... | 30 |
| 7.7 Retrieving the Fault log..... | 30 |
| 8. Communication | 31 |
| 8.1 Communication ports | 31 |
| 8.2 Eaton Intelligent Power Software suite | 34 |
| 9. UPS maintenance | 35 |
| 9.1 Equipment care..... | 35 |
| 9.2 Storing the equipment | 35 |
| 9.3 When to replace batteries | 35 |
| 9.4 Replacing batteries | 36 |
| 9.5 Replacing the UPS equipped with a Maintenance Bypass (BPE20MBB1A)..... | 39 |
| 9.6 Recycling the used equipment | 39 |
| 10. Troubleshooting..... | 40 |
| 10.1 Typical alarms and faults | 40 |
| 10.2 Silencing the alarm | 42 |
| 10.3 Service and support..... | 42 |
| 11. Specifications | 43 |
| 11.1 Model specifications..... | 43 |
| 12. Glossary..... | 47 |

1. Introduction

Thank you for selecting an EATON product to protect your electrical equipment.

The 9PX range has been designed with the utmost care.

We recommend that you take the time to read this manual to take full advantage of the many features of your UPS (Uninterruptible Power System).

Before installing your 9PX, please read the booklet presenting the safety instructions. Then follow the indications in this manual.

To discover the entire range of EATON products and the options available for the 9PX range, we invite you to visit our web site at powerquality.eaton.com or contact your EATON representative.

1.1 Environmental protection

EATON has implemented an environmental-protection policy. Products are developed according to an eco-design approach.

Substances

This product does not contain CFCs, HCFCs or asbestos.

Packing

To improve waste treatment and facilitate recycling, separate the various packing components.

- The cardboard we use comprises over 50% of recycled cardboard.
- Sacks and bags are made of polyethylene.
- Packing materials are recyclable and bear the appropriate identification symbol



| Materials | Abbreviations | Number in the symbols |
|---------------------------|---------------|-----------------------|
| Polyethylene terephthalat | PET | 01 |
| High-density polyethylene | HDPE | 02 |
| Polyvinyl chloride | PVC | 03 |
| Low-density polyethylene | LDPE | 04 |
| Polypropylene | PP | 05 |
| Polystyrene | PS | 06 |

Follow all local regulations for the disposal of packing materials.

End of life

EATON will process products at the end of their service life in compliance with local regulations. EATON works with companies in charge of collecting and eliminating our products at the end of their service life.

Product

The product is made up of recyclable materials.

Dismantling and destruction must take place in compliance with all local regulations concerning waste.

At the end of its service life, the product must be transported to a processing center for electrical and electronic waste.

Battery

The product contains lead-acid batteries that must be processed according to applicable local regulations concerning batteries.

The battery may be removed to comply with regulations and in view of correct disposal.

1. Introduction

The Eaton® 9PX uninterruptible power system (UPS) protects your sensitive electronic equipment from the most common power problems, including power failures, power sags, power surges, brownouts, line noise, high voltage spikes, frequency variations, switching transients, and harmonic distortion. Power outages can occur when you least expect it and power quality can be erratic. These power problems have the potential to corrupt critical data, destroy unsaved work sessions, and damage hardware - causing hours of lost productivity and expensive repairs.

With the Eaton 9PX, you can safely eliminate the effects of power disturbances and guard the integrity of your equipment. Providing outstanding performance and reliability, the Eaton 9PX's unique benefits include:

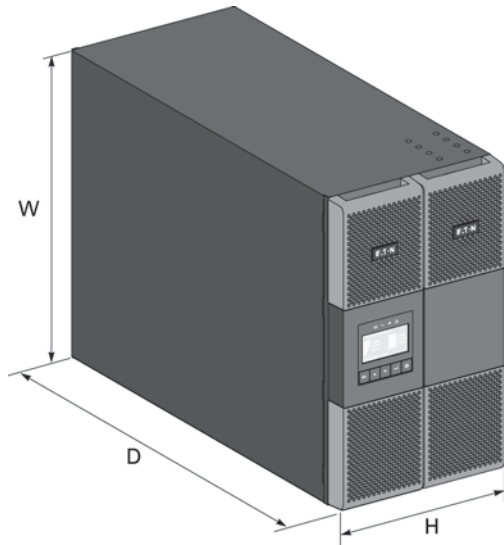
- True online double-conversion technology with high power density, utility frequency independence, and generator compatibility.
- ABM® technology that uses advanced battery management to increase battery service life, optimize recharge time, and provide a warning before the end of useful battery life.
- Selectable High Efficiency mode of operation.
- Standard communication options: Network-MS card (Web/SNMP), one RS-232 communication port, one USB communication port, and relay output contacts.
- Optional connectivity cards with enhanced communication capabilities (Modbus-MS, Relay-MS).
- Extended runtime with up to four Extended Battery Modules (EBMs) per UPS.
- Firmware that is easily upgradable without a service call.
- Remote On/Off control through Remote On/Off (ROO) and Remote Power Off (RPO) ports.
- Backed by worldwide agency approvals.

2. Presentation

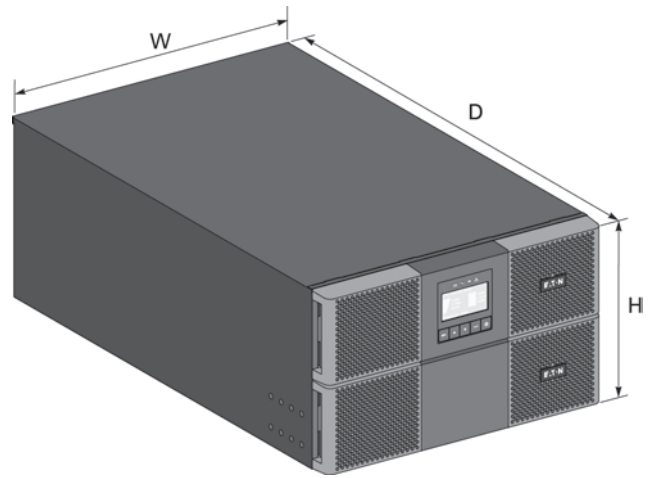
2.1 Weights and dimensions

9PX 8K SP / 9PX 10K SP

Tower installation



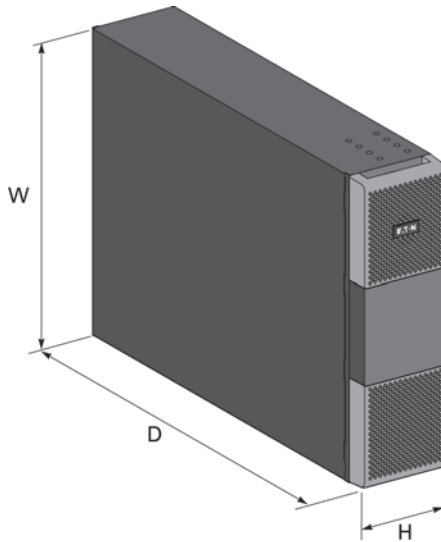
Rack installation



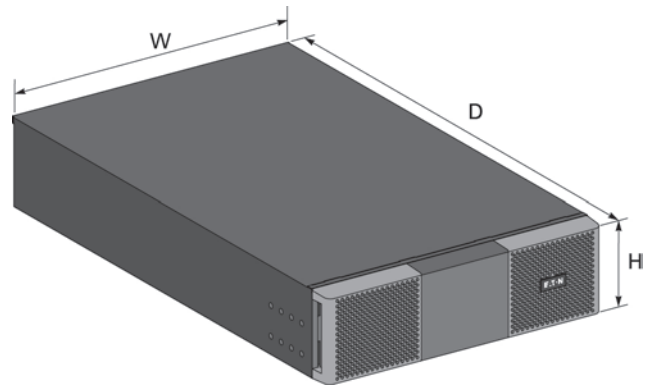
| Description | Weights (lb/kg) | Dimensions H x W x D (inch/mm) |
|-------------|-----------------|--------------------------------------|
| 9PX8KSP | 225 / 102 | 10.3 x 17.4 x 29.4 / 262 x 440 x 745 |
| 9PX10KSP | 225 / 102 | 10.3 x 17.4 x 29.4 / 262 x 440 x 745 |

9PX EBM 360SP

Tower installation



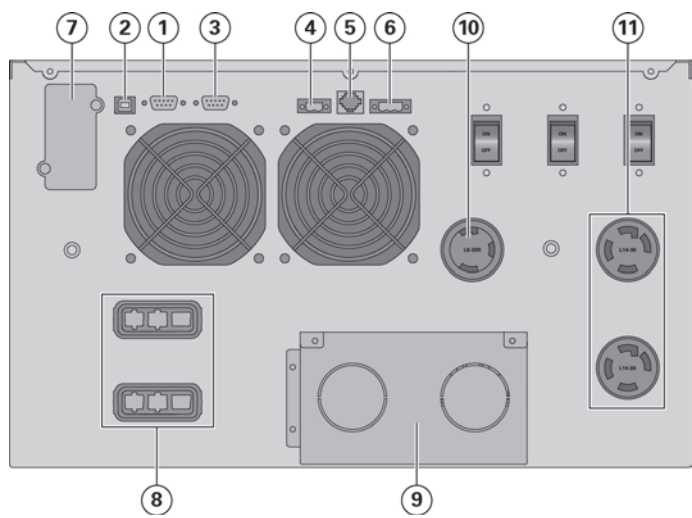
Rack installation



| Description | Weights (lb/kg) | Dimensions H x W x D (inch/mm) |
|-------------|-----------------|-------------------------------------|
| 9PXEBM360SP | 163.2 / 74 | 5.2 x 17.4 x 25.4 / 130 x 440 x 645 |

2.2 Rear panel layout

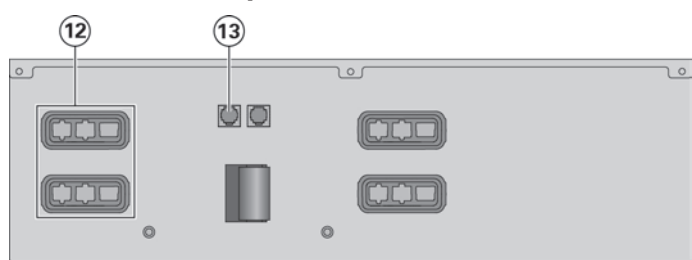
9PX 8K SP / 9PX 10K SP



- ① RS232 communication port
- ② USB communication port
- ③ Dry (relay) contacts communication port
- ④ Connector for MBP and ROO (Remote On/Off) control
- ⑤ Connectors for automatic recognition of battery module
- ⑥ Connector for RPO (Remote Power Off) control
- ⑦ Slot for optional communication card
- ⑧ Connector for battery module
- ⑨ Input/Output terminal blocks
- ⑩ (1) L6-30R outlet
- ⑪ (2) L14-30R outlets

9PX EBM 360SP

(Extended Battery Module of the 9PX 8K SP and 9PX 10K SP)



- ⑫ Connectors for battery modules (to the UPS or to the other battery modules)
- ⑬ Connectors for automatic recognition of battery modules

2.3 Accessories (optional)

| Part number | Description |
|-------------|--|
| 9PXEBM360SP | Extended Battery Module |
| Modbus-MS | Modbus and network card |
| Relay-MS | Relay card |
| BPE20MBB1A | External maintenance Bypass for 9PX8KSP and 9PX10KSP |
| BINTSYS | Battery Integration System |
| EBMCBL360 | 6 feet cable for 9PXEBM360SP |

3. Installation for 9PX 8K SP and 9PX 10K SP

3.1 Inspecting the equipment

If any equipment has been damaged during shipment, keep the shipping cartons and packing materials for the carrier or place of purchase and file a claim for shipping damage. If you discover damage after acceptance, file a claim for concealed damage.

To file a claim for shipping damage or concealed damage:

1. File with the carrier within 15 days of receipt of the equipment;
2. Send a copy of the damage claim within 15 days to your service representative.



Check the battery recharge date on the shipping carton label. If the date has passed and the batteries were never recharged, do not use the UPS. Contact your service representative.

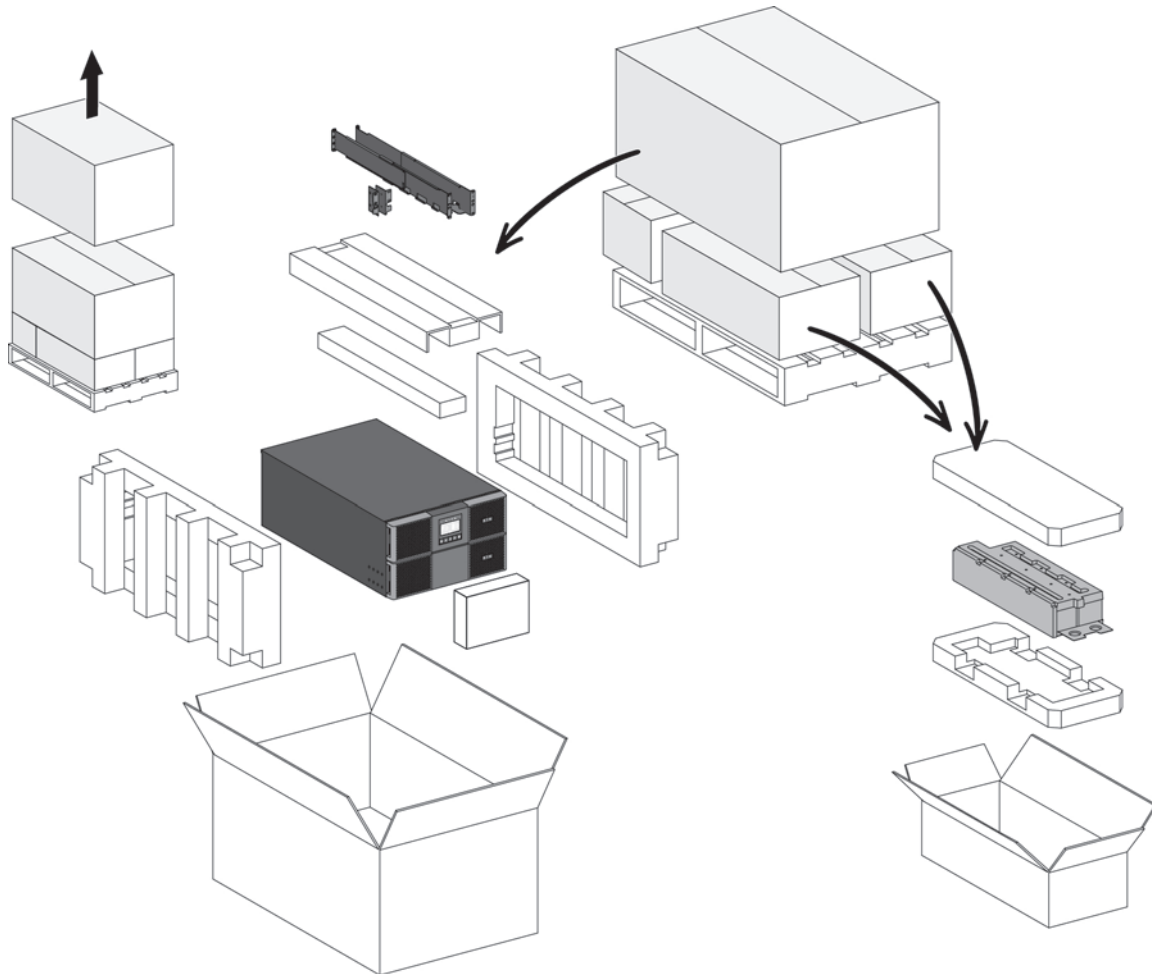
3.2 Unpacking the cabinet



- Unpacking the cabinet in a low-temperature environment may cause condensation to occur in and on the cabinet. Do not install the cabinet until the inside and outside of the cabinet are absolutely dry (hazard of electric shock).
- The cabinet is heavy (see "Weights and dimensions" on page 43). Follow Special precautions provided on page 4 and on the carton.

Unpack the equipment and remove all the packing materials and shipping carton.

Note: Do not lift the UPS from the front panel.



Unpacking UPS.

Discard or recycle the packaging in a responsible manner, or store it for future use.

Place the cabinet in a protected area that has adequate airflow and is free of humidity, flammable gas, and corrosion.

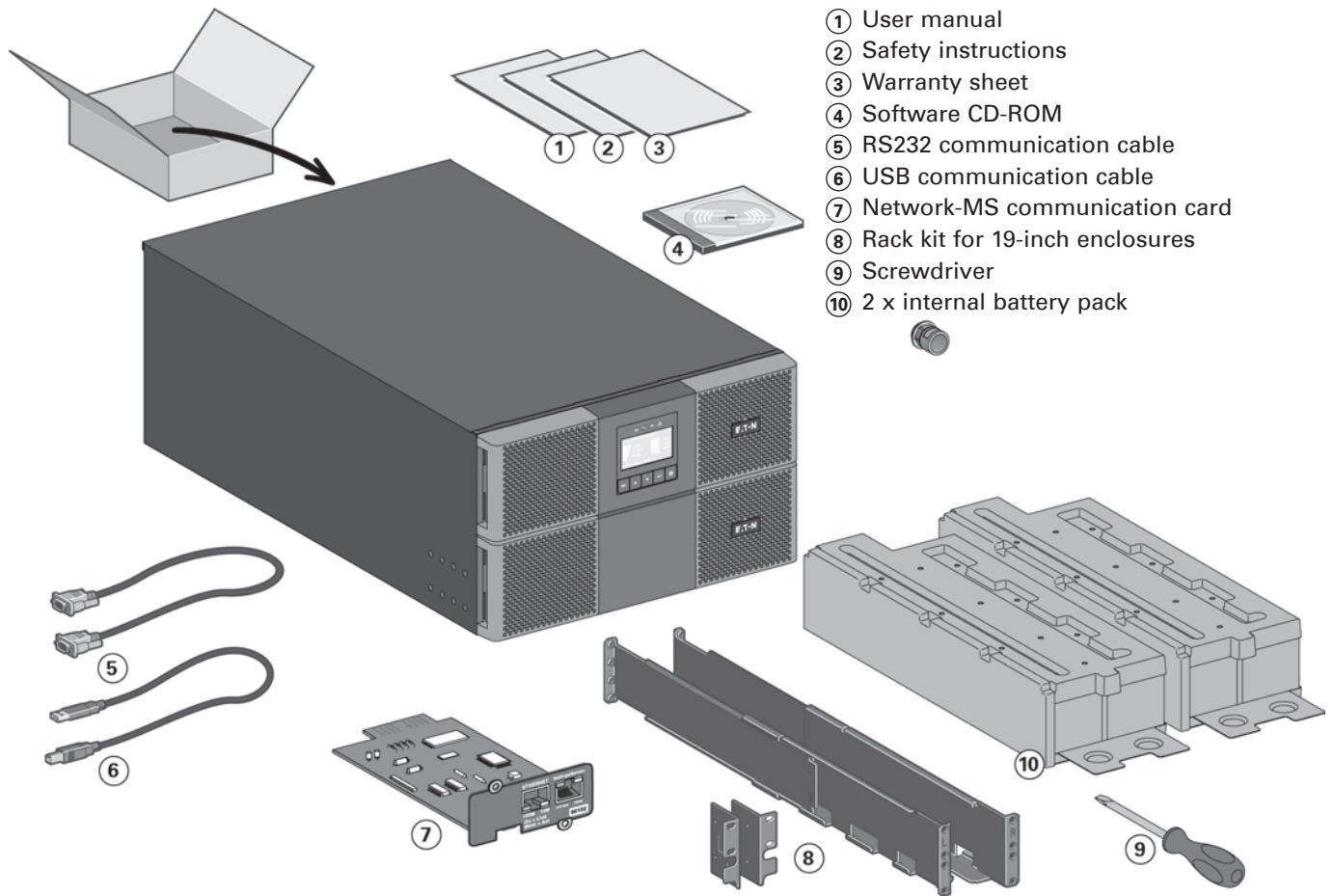


Packing materials must be disposed of in compliance with all local regulations concerning waste. Recycling symbols are printed on the packing materials to facilitate sorting.

3. Installation for 9PX 8K SP and 9PX 10K SP

3.3 Checking the accessory kit (9PX 8K SP/9PX 10K SP)

- Verify that the following additional items are included with the UPS:



3. Installation for 9PX 8K SP and 9PX 10K SP

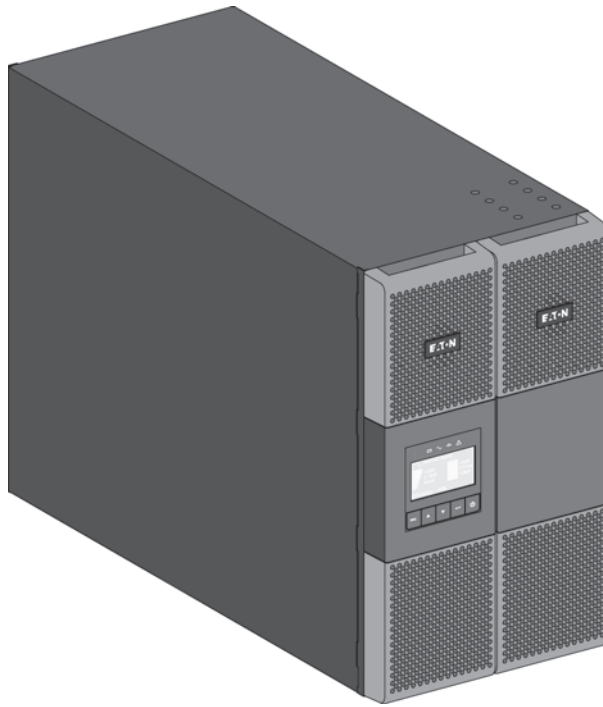
3.4 Tower installation



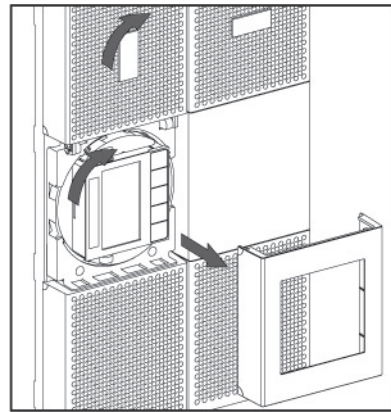
If you ordered other UPS accessories, refer to specific user manuals to check the tower installation with the UPS.

To install the cabinet:

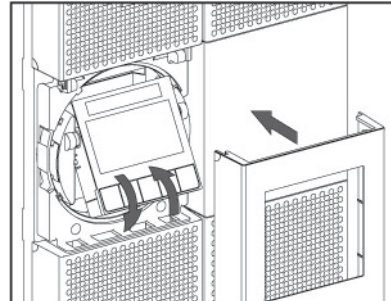
1. Place the UPS on a flat, stable surface in its final location.
2. Always keep 150 mm of free space behind the UPS rear panel.
3. If installing additional cabinets, place them next to the UPS in their final location.
4. Install mounting brackets to attach the EBM to UPS module (if EBM is present).



- Adjustment of the orientation of the LCD panel and of the logo.



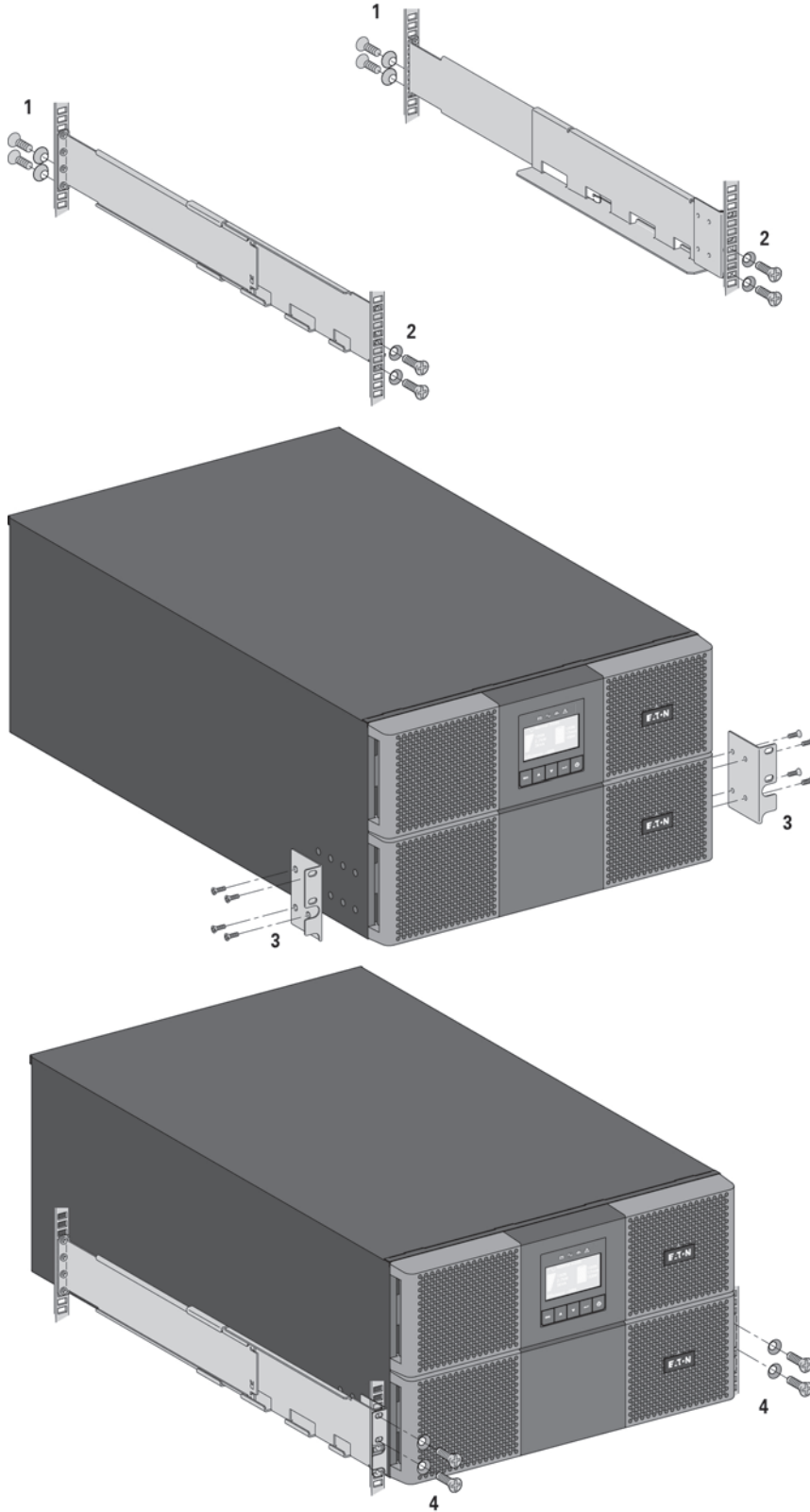
- Adjustment of the angle of vision of the LCD panel.



3. Installation for 9PX 8K SP and 9PX 10K SP

3.5 Rack installation

- Rack mounting of UPS and accessory modules.
Follow steps 1 to 4 for module mounting on the rails.



The rails and necessary hardware are supplied by EATON.

If you ordered other UPS accessories, refer to specific user manuals to check the rack installation with the UPS.



3. Installation for 9PX 8K SP and 9PX 10K SP

3.6 Connecting the internal battery

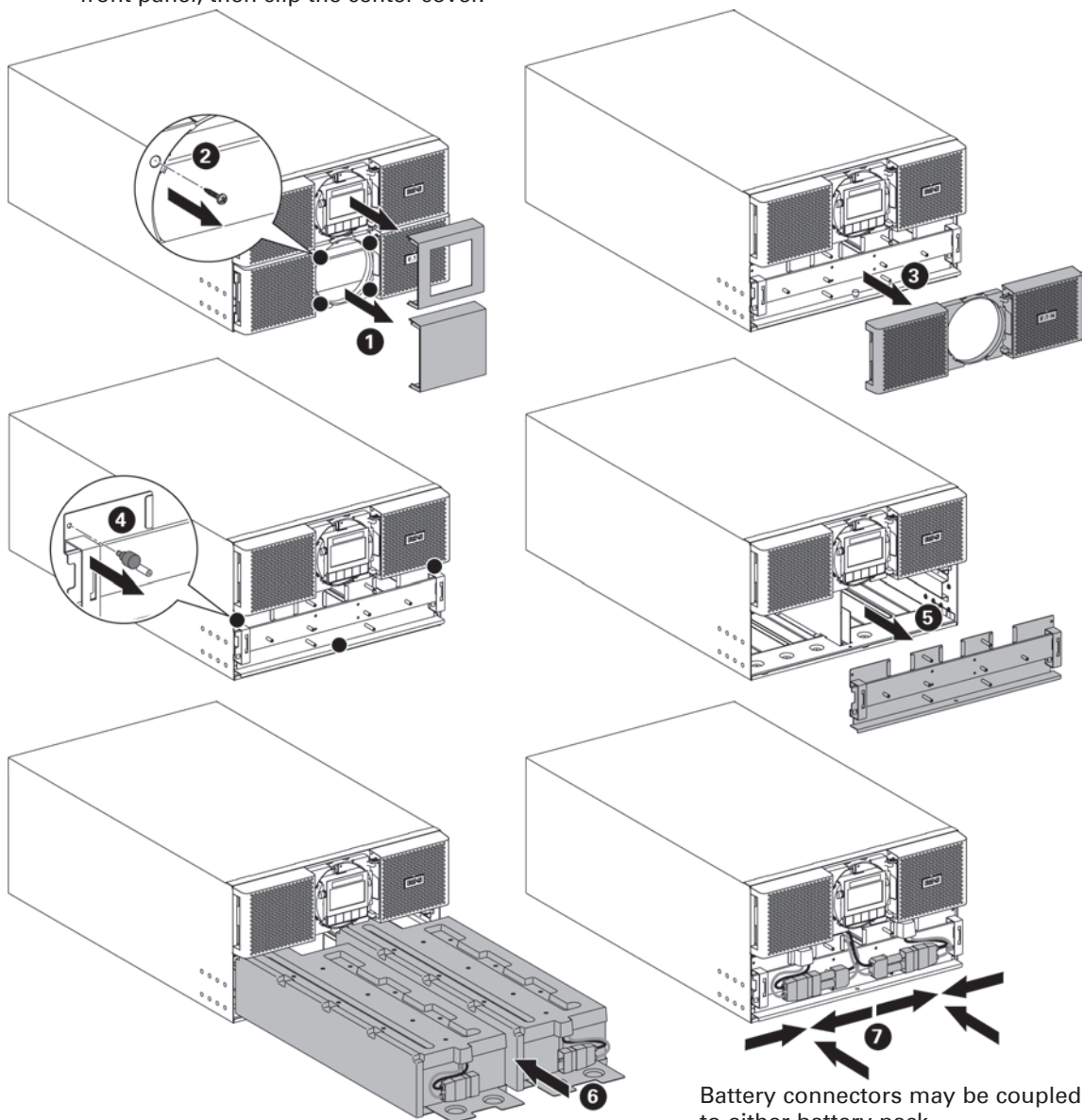


Do not make unauthorized changes to the UPS; otherwise, damage may occur to your equipment and void your warranty. Do not connect the UPS to utility until installation is completed.

This step requires two service personnel, the UPS and internal battery are heavy.

| Description | Weights (lb/kg) |
|---|-----------------|
| 9PX 8K SP/9PX 10K SP without internal battery | 91 / 41 |
| 9PX 8K SP/9PX 10K SP internal battery | 67.3 / 30.5 |

- Mount the UPS on rack.
- Remove the center cover of the front panel.
- Remove the four screws to open the front panel.
- Remove the three screws to pull out the metal protection cover of the battery.
- Put the battery pack, screw back the metal protection cover, connect the battery and put back the front panel, then clip the center cover.



A small amount of arcing may occur when connecting the internal batteries. This is normal and will not harm personnel. Connect the cables quickly and firmly.

4. Installation for EBM(s)

4.1 Inspecting the equipment

If any equipment has been damaged during shipment, keep the shipping cartons and packing materials for the carrier or place of purchase and file a claim for shipping damage. If you discover damage after acceptance, file a claim for concealed damage.

To file a claim for shipping damage or concealed damage:

1. File with the carrier within 15 days of receipt of the equipment;
2. Send a copy of the damage claim within 15 days to your service representative.



Check the battery recharge date on the shipping carton label. If the date has passed and the batteries were never recharged, do not use the EBM. Contact your service representative.

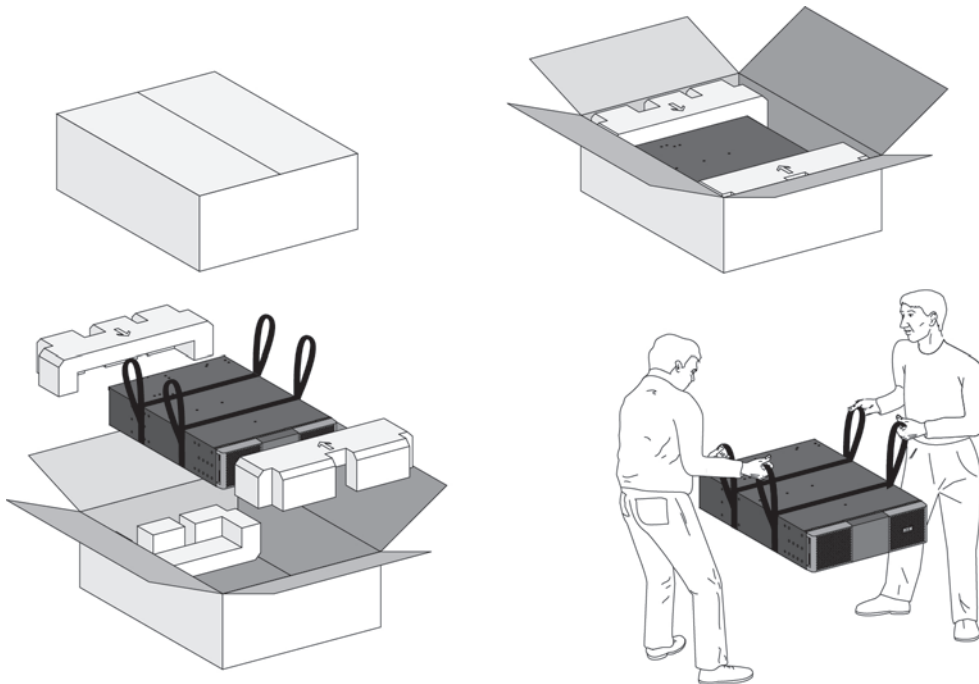
4.2 Unpacking the cabinet



- Unpacking the cabinet in a low-temperature environment may cause condensation to occur in and on the cabinet. Do not install the cabinet until the inside and outside of the cabinet are absolutely dry (hazard of electric shock).
- The cabinet is heavy (see "Weights and dimensions" on page 43). Follow Special precautions provided on page 4 and on the carton.

Unpack the equipment and remove all the packing materials and shipping carton.

Note: Do not lift the EBM from the front panel.



Unpacking Extended Battery Module.

Discard or recycle the packaging in a responsible manner, or store it for future use.

Place the cabinet in a protected area that has adequate airflow and is free of humidity, flammable gas, and corrosion.

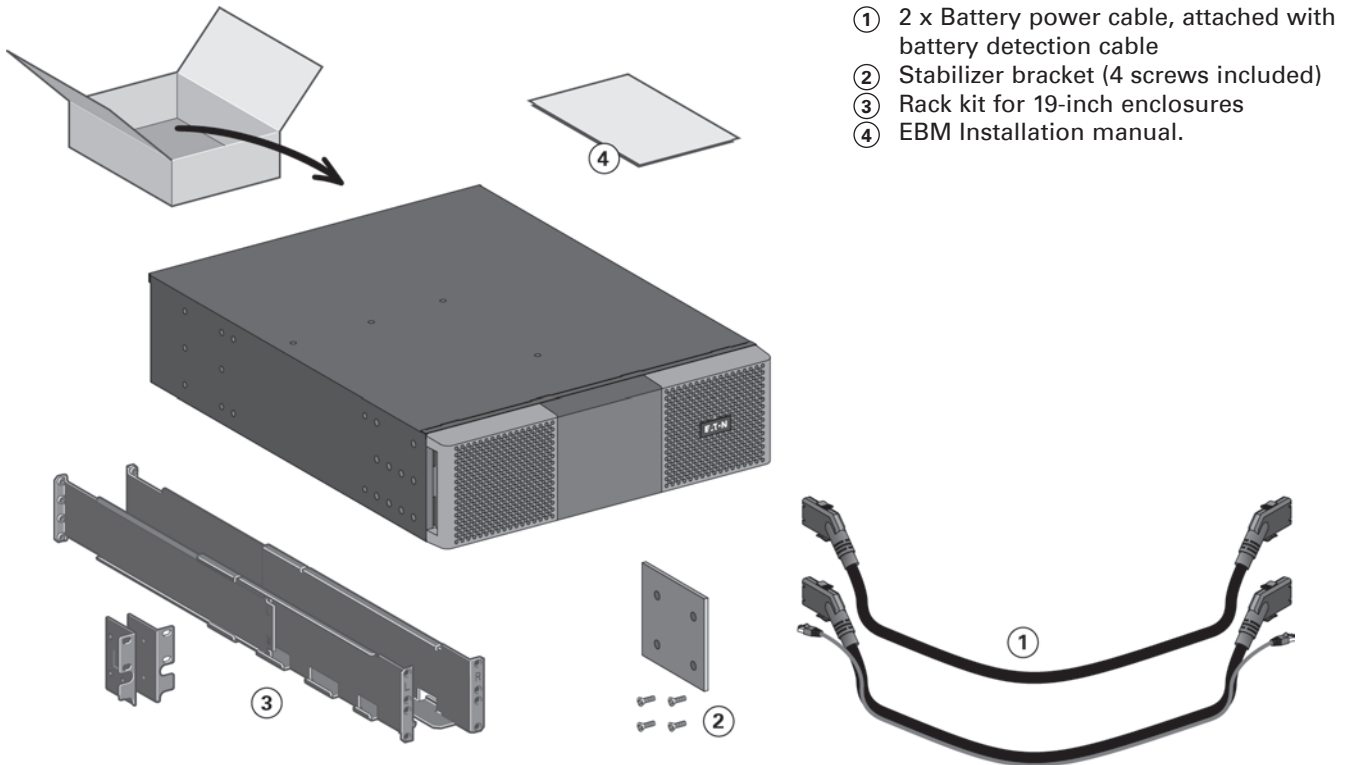


Packing materials must be disposed of in compliance with all local regulations concerning waste. Recycling symbols are printed on the packing materials to facilitate sorting.

4. Installation for EBM(s)

4.3 Checking the accessory kit

- If you ordered an optional Extended Battery Module (EBM), verify that the following additional items are included with the EBM:



4.4 Prepare installation



If you ordered other UPS accessories, refer to specific user manuals to check the rack installation with the UPS.

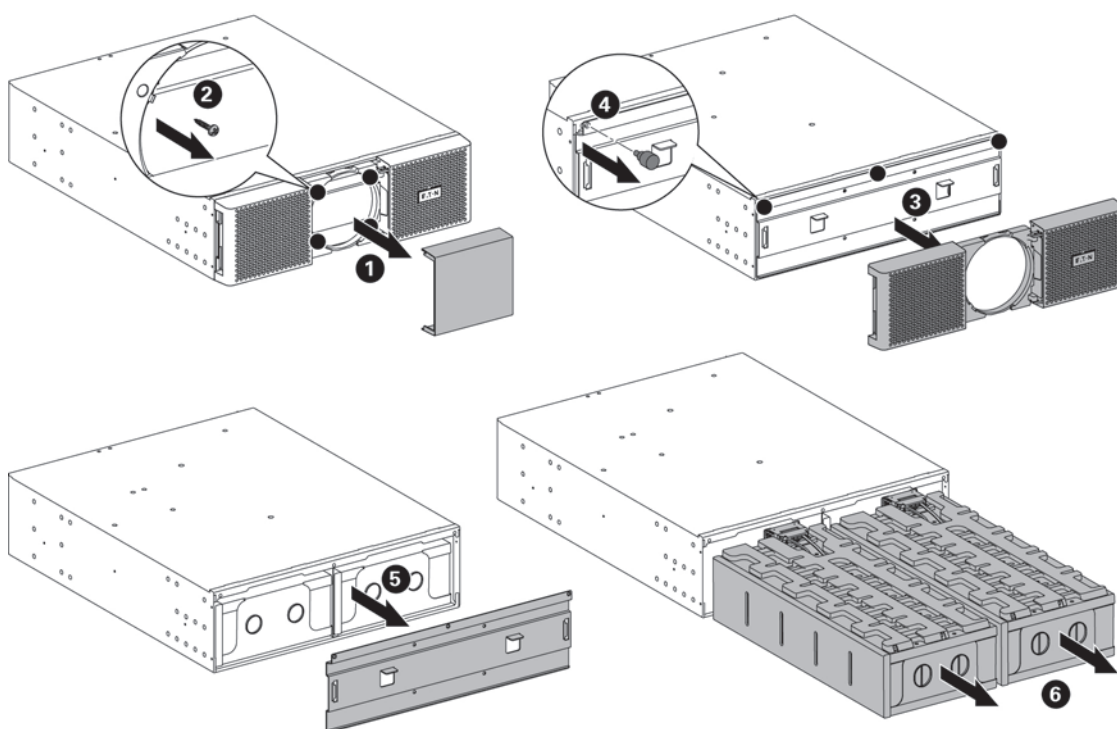
- Prepare EBM for rack mounting.



This step requires two service personnel.

The Extended Battery Module is very heavy.

| Description | Weights (lb/kg) |
|--|-----------------|
| 9PX EBM 360SP without internal battery | 28.7 / 13 |
| 9PX EBM 360SP internal battery | 67.3 / 30.5 |



To ease its rack mounting, you can remove the battery pack from the EBM as explained below.

- Remove the center cover of the front panel.
- Remove the four screws to open the front panel.
- Remove the three screws to pull out the metal protection cover of the battery.
- Pull out the plastic handle of the left and right battery packs, and slide the packs out slowly on to a flat and stable surface. Use two hands to support the battery packs. Set them aside for reinstalling after that the EBM is rack mounted.
- Mount the EBM on rack (see "Rack installation" on page 13).
- Put back the battery packs, screw back the metal protection cover and the front panel, then clip the center cover.

4. Installation for EBM(s)

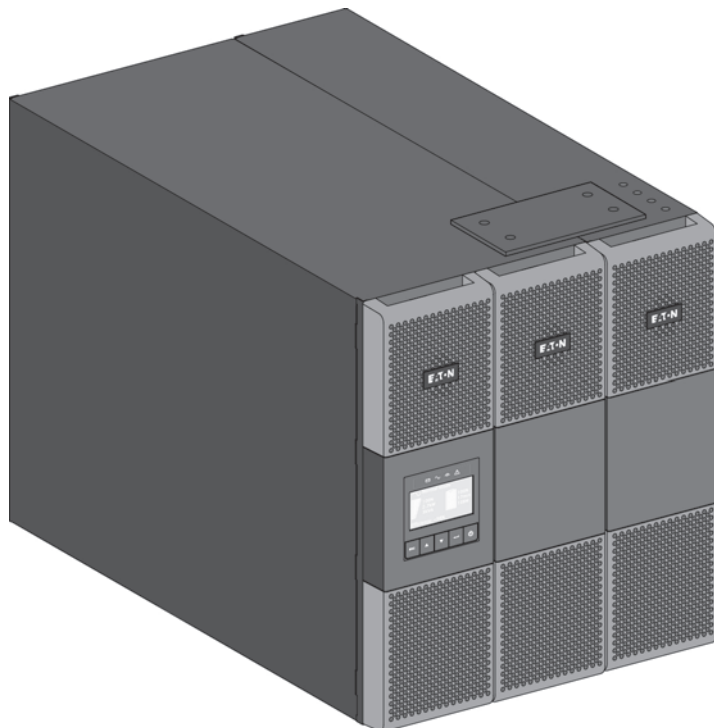
4.5 Tower installation



If you ordered other UPS accessories, refer to specific user manuals to check the tower installation with the UPS.

To install the cabinet:

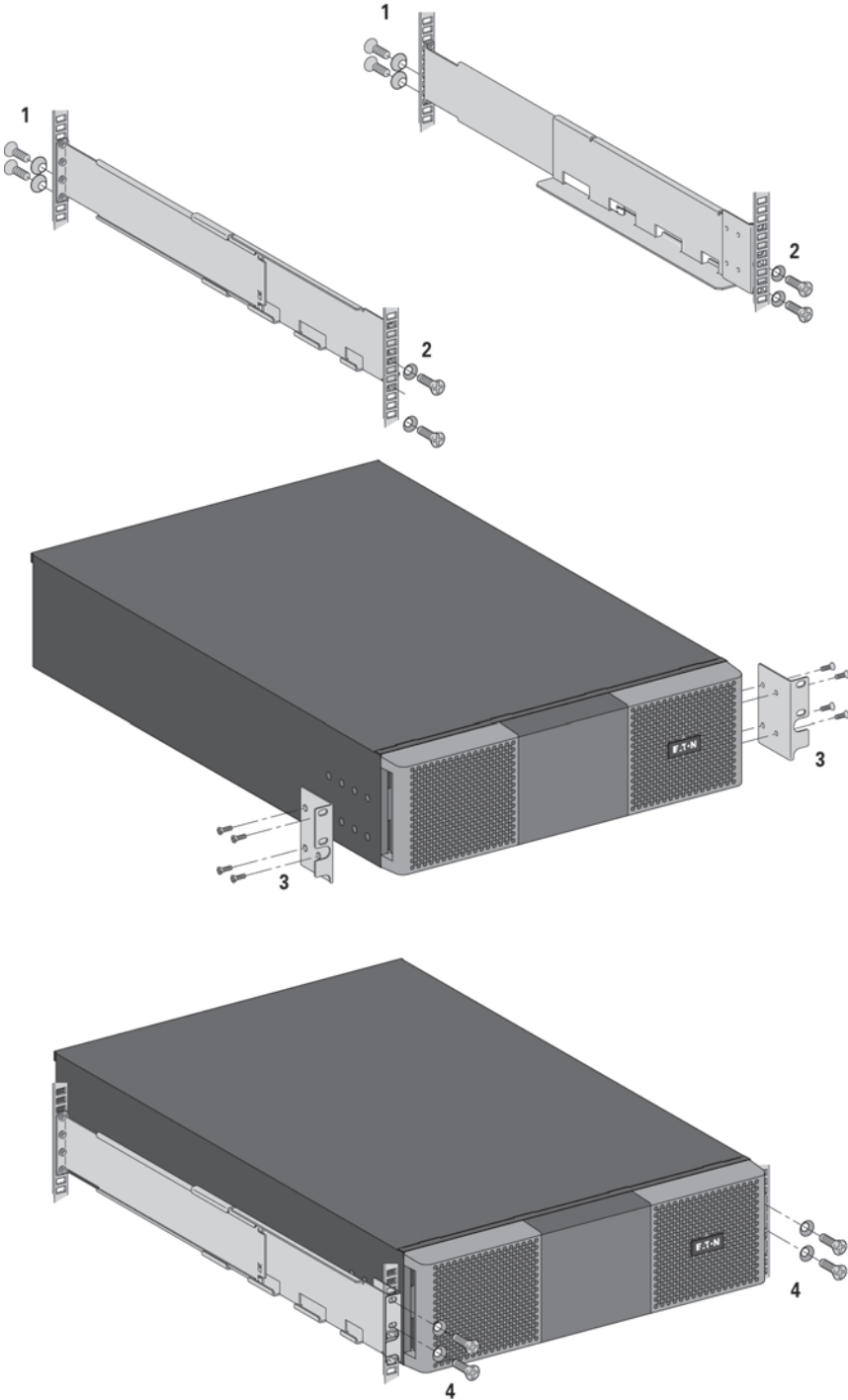
1. Place the UPS on a flat, stable surface in its final location.
2. Always keep 150 mm of free space behind the UPS rear panel.
3. If installing additional cabinets, place them next to the UPS in their final location.
4. Install mounting brackets to attach the EBM to UPS module.



4.6 Rack installation

- Rack mounting of UPS and accessory modules.

Follow steps 1 to 4 for module mounting on the rails.



The rails and necessary hardware are supplied by EATON.

If you ordered other UPS accessories, refer to specific user manuals to check the rack installation with the UPS.



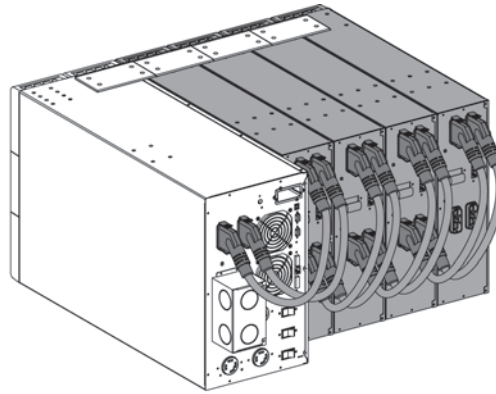
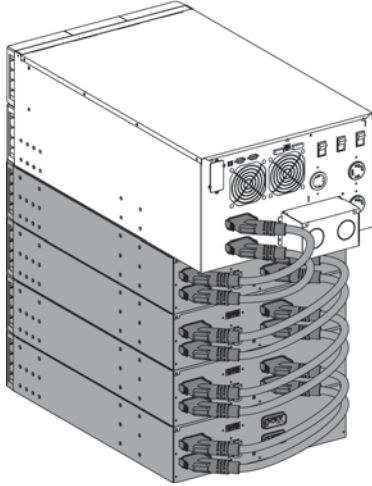
4. Installation for EBM(s)

4.7 Connecting the EBM(s)



A small amount of arcing may occur when connecting an EBM to the UPS. This is normal and will not harm personnel. Insert the EBM cable into the UPS battery connector quickly and firmly.

1. Plug the EBM power cable(s) into the battery connector(s). Up to 4 EBMs may be connected to the UPS.
2. Verify that the EBM connections are tight and that adequate bend radius and strain relief exist for each cable.
3. Connect the battery detection cable(s) to the connector of the UPS and of the EBM(s).
4. Check that the battery circuit breaker is switched to the "I" position (On).



4.8 Connecting other accessories




If you ordered other UPS accessories, refer to specific user manuals to check the connection to the UPS.

5.1 Installation requirements

1. Recommended upstream protection

| | UPS power rating | Upstream circuit breaker |
|------------|------------------|--------------------------|
| 9PX 8K SP | 8000VA | D Curve - 60A |
| 9PX 10K SP | 10000VA | D Curve - 60A |

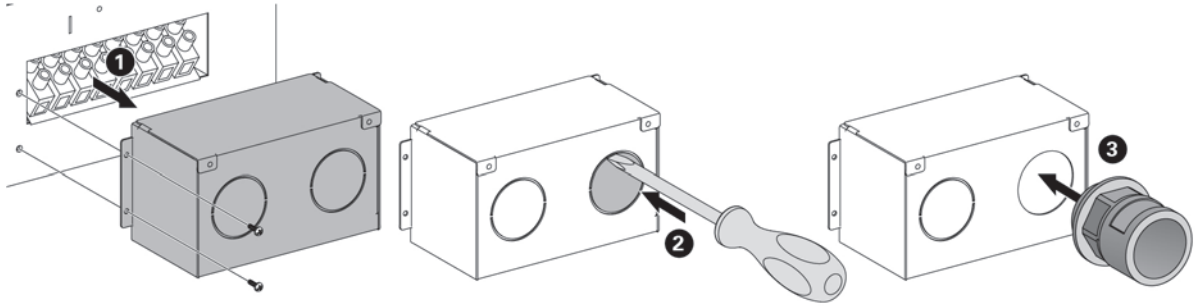
2. Recommended wire size

| Terminal position | Wire function | Terminal wire size rating | Minimum input wire size | Tightening torque |
|---|---------------|----------------------------------|---|--------------------|
| L1 | Phase | 8-4 AWG (10-25 mm ²) | 6 AWG (75°C) For 9PX 8K SP 4 AWG (75°C) For 9PX 10K SP | 18 lb in / 2.03 Nm |
| L2 | Phase | | | |
| N | Neutral | | | |
|  | Ground | | | |

Copper wire, solid or stranded.

5. Power cables connection

5.2 Access to terminal blocks



- Remove the terminal blocks cover (two screws).
- Punch the knockouts and insert the cables/conduits inside.



High leakage current:

Earth connection essential before connecting supply.

5.3 Hardwired Input/Output connection



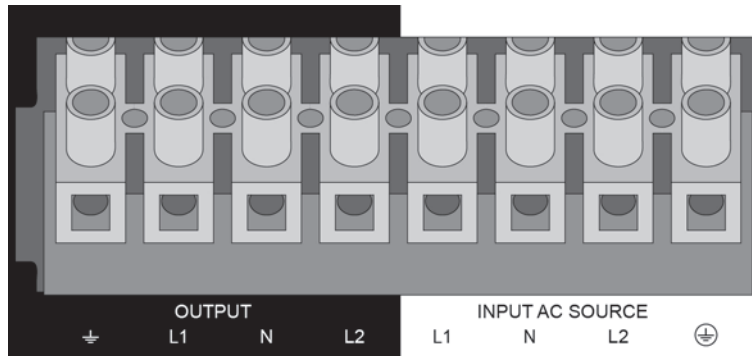
This type of connection must be carried out by qualified electrical personnel

Before carrying out any connection, check that the upstream protection devices (Input AC source) is open "O" (Off).

Always connect the ground wire first.



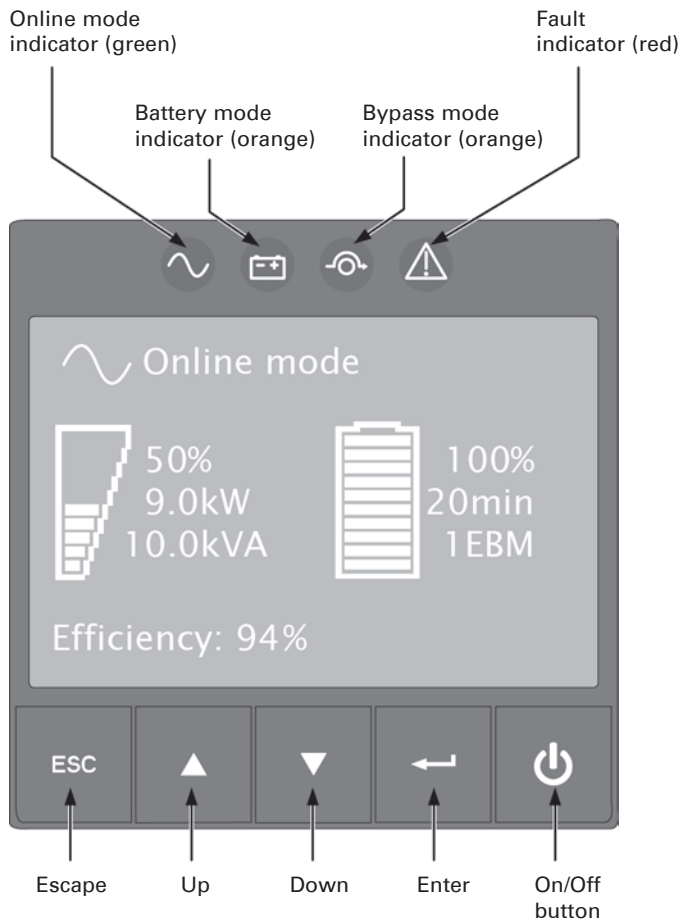
If you ordered an external maintenance Bypass such as, BPE20MBB1A, refer to specific user manual to check the terminal blocks connection of the UPS with this accessory.







1. Insert the Input AC cable through the cable gland.
2. Connect the four cables to the Input AC source terminal blocks.
3. Insert the Output cable through the cable gland.
4. Connect the four cables to the Output terminal blocks.
5. Put back and secure the terminal blocks cover with the screw.
6. Tighten the cable glands.

6.1 Control panel

The UPS has a five-button graphical LCD. It provides useful information about the UPS itself, load status, events, measurements and settings.



The following table shows the indicator status and description:

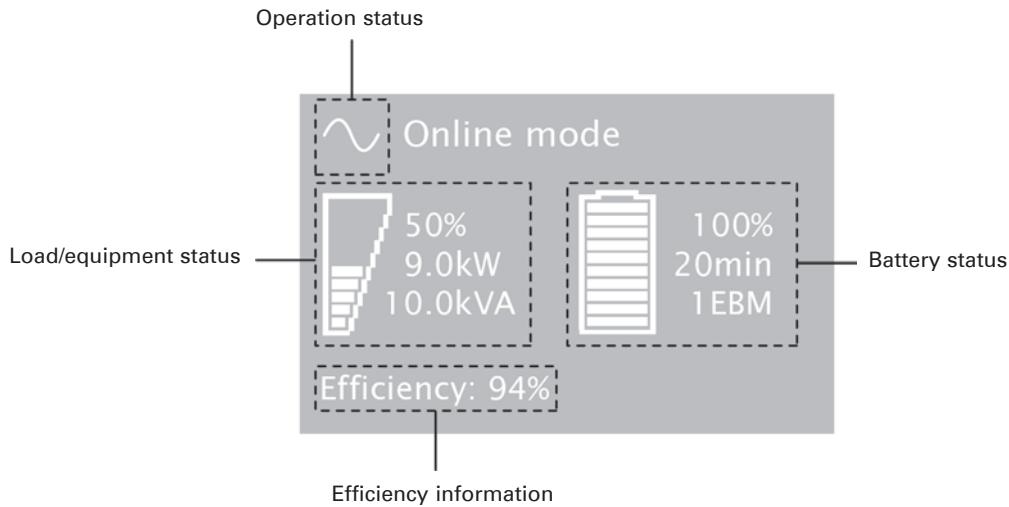
| Indicator | Status | Description |
|---|--------|--|
|  Green | On | The UPS is operating normally on Online or on High Efficiency mode. |
|  Orange | On | The UPS is on Battery mode. |
|  Orange | On | The UPS is on Bypass mode. |
|  Red | On | The UPS has an active alarm or fault. See "Troubleshooting" on page 40 for additional information. |

6. HMI and settings

6.2 LCD description








After 5 minutes of inactivity, the LCD displays the screen saver.

The LCD backlight automatically dims after 10 minutes of inactivity. Press any button to restore the screen.



The following table describes the status information provided by the UPS.

Note: If other indicator appears, see "Troubleshooting" on page 40 for additional information.

| Operation status | Cause | Description |
|---|---|--|
| Standby mode  | The UPS is Off. | Equipment is not powered until  button is pressed. |
| Online mode  | The UPS is operating normally. | The UPS is powering and protecting the equipment. |
| Battery mode  1 beep every 10 seconds | A utility failure has occurred and the UPS is on Battery mode. | The UPS is powering the equipment with the battery power. Prepare your equipment for shutdown. |
| End of backup time  1 beep every 3 seconds | The UPS is on Battery mode and the battery is running low. | This warning is approximate, and the actual time to shutdown may vary significantly. Depending on the UPS load and number of Extended Battery Modules (EBMs), the "Battery Low" warning may occur before the battery reaches 20% capacity. |
| High Efficiency mode  | The UPS is operating on High Efficiency mode. | The UPS is powering and protecting the equipment. |
| Bypass mode  | An overload or a fault has occurred, or a command has been received, and the UPS is in Bypass mode. | Equipment is powered but not protected by the UPS. |

6.3 Display functions

Press the Enter (↵) button to activate the menu options. Use the two middle buttons (▲ and ▼) to scroll through the menu structure. Press the Enter (↵) button to select an option. Press the ESC button to cancel or return to the previous menu.


| Main menu | Submenu | Display information or Menu function |
|------------------|-------------------------------|---|
| Measurements | | [Total Load] W VA A PF / [Load phase 1 (N-L1)] W VA A PF / [Load phase 2 (N-L2)] W VA A PF / [Input/Bypass] V- L1 V- L2 Hz / [Total Output (L1-L2)] V Hz (N-L1)V (N-L2)V / [Efficiency] % / [Battery] % min V1 V2 / [DC bus] V / [Average power usage] Wh / [Cumulat. power usage] kWh since date |
| Control | Go to Bypass / Go back normal | Transfers the UPS on Bypass mode / Transfers the UPS on Line mode |
| | Start battery test | Starts a manual battery test |
| | Reset fault state | Clears active fault |
| | Restore factory set | Returns all settings to original values |
| | Reset average power | Clears average power usage measurement |
| | Reset cumul. power | Clears cumulated power usage measurement |
| | Dry contacts test | Tests dry contact relay outputs |
| Settings | Local settings | Sets product general parameters |
| | In/Out settings | Sets Output parameters |
| | On/Off settings | Sets On/Off conditions |
| | Battery settings | Sets battery configuration |
| Event log | Event filter | Selects faults, alarms and/or events to display |
| | Event list | Displays the events stored |
| | Reset event list | Clears events |
| Fault log | Fault list | Displays the faults stored |
| | Reset fault list | Clears faults |
| Identification | | [Product type/model] / [Part/Serial number] / [UPS/NMC firmware] / [Com card IPv4], [Com card IPv6], [Com card MAC] / [Detected accessories] |
| Register product | | Links to Eaton registration website |

6.4 User settings

The following table displays the options that can be changed by the user.

| | Submenu | Available settings | Default settings |
|-----------------|-----------------------|---|--|
| Local settings | Language | [English] [Français] [Español] [Português] Menus, status, notices and alarms, UPS fault, Event Log data and settings are in all supported languages. | [English] User selectable when UPS is powered for the first time. |
| | Date/ time | Format: [International] [US] | [US] |
| | LCD | Modify LCD screen brightness and contrast to be adapted to room light conditions. | |
| | Audible alarm | [Enabled] [Disabled on battery] [Always disabled] Enable or disable the buzzer if an alarm occurs. | [Enabled] |
| In/Out settings | Output voltage | [100V] [110V] [115V] [120V] [127V] Can be changed only in Standby mode. | [120V] |
| | Output frequency | Frequency converter: [Enabled] [Disabled] Frequency settable in frequency converter mode. | [Disabled] |
| | Output mode | [Industrial] [Network] Set UPS behavior regarding transfer on Bypass. | [Network] |
| | Input volt hysteresis | Sets input voltage hysteresis from 1 to 10V. | [10V] |
| | High Efficiency mode | [Enabled] [Disabled] Power the output from Bypass for high efficiency. | [Disabled] |

6. HMI and settings

| | Submenu | Available settings | Default settings |
|-------------------------|------------------------|---|---|
| In/Out settings | Overload prealarm | [10%] ... [102%] Load % when overload alarm occurs. | [102%] |
| On/Off settings | Cold start | [Enabled] [Disabled] Authorize the product to start on battery power. | [Enabled] |
| | Forced reboot | [Enabled] [Disabled] If mains recover during a shutdown sequence: If set to Enabled, shutdown sequence will complete and wait 10 seconds prior to restart, If set to Disabled, shutdown sequence will not complete and restart will occur immediately. | [Enabled] |
| | Auto restart | [Enabled] [Disabled] Authorize the product to restart automatically when mains recovers after a complete battery discharge. | [Enabled] |
| | Auto start | [Enabled] [Disabled] The UPS automatically starts up as soon as mains power is available (no need to press the  button). | [Disabled] |
| | Energy saving | [Disabled] [100W] ... [1000W] If Enabled, UPS will shutdown after 5 min. of back-up time, if load is less than threshold. | [Disabled] |
| | Sleep mode | [Enabled] [Disabled] If Disabled, LCD and communication will turn OFF immediately after UPS is OFF. If Enabled, LCD and communication stays ON 1h30 min after UPS is OFF. | [Enabled] |
| | Remote command | [Enabled] [Disabled] If Enabled, shutdown or restart commands from software are authorized. | [Enabled] |
| | Bypass standby | [Enabled] [Disabled] Define if output is powered from Bypass in Standby mode. | [Disabled] |
| | Remote On/Off | [Bypass for MBP] [Enabled] [Disabled] If set for Bypass for MBP, the UPS will be forced to static bypass when signaled by the MBP for safe transfer. If set for Enabled, the UPS can be shutdown or started by Remote On/Off. | [Bypass for MBP] |
| Battery settings | Automatic battery test | In constant charge mode: [No test] [Every day] [Every week] [Every month] In ABM cycling mode : [No test] [Every ABM cycle] | [Every ABM cycle] |
| | Low battery warning | [0%] ... [100%] The alarm triggers when the set percentage of battery capacity is reached during back-up time. | [20%] |
| | Restart bat. level | [0%] ... [100%] If set, automatic restart will occur only when percentage of battery charge is reached. | [0%] |
| | Battery charge mode | [ABM cycling] [Constant charge] | [ABM cycling] |
| | External battery | [Auto detection] [Manual EBM set.] [Manual battery set.] [No battery] | [Auto detection] Using standard EBM, UPS detects automatically the number of EBM connected |
| | Deep Disch. protect. | [Yes] [No] If set to Yes, the UPS automatically prevents battery from deep discharge by adapting end of back-up time voltage threshold. Warranty void if set to No. | [Yes] |

7.1 UPS startup and shutdown








If you ordered an external maintenance Bypass such as, BPE20MBB1A, refer to specific user manuals to check the startup sequence of the UPS with this accessory.

Starting the UPS



Verify that the total equipment ratings do not exceed the UPS capacity to prevent an overload alarm.

To start the UPS:

1. Verify that the internal batteries are connected. See "Connecting the internal battery" on page 14.
2. If optional EBMs are installed, verify that the EBM are connected to the UPS.
See "Connecting the EBM(s)" on page 20.
3. Verify that the UPS terminal blocks are connected to AC source.
4. Set the upstream circuit breaker (not provided) to the "I" position (On) to switch on the utility power.
The UPS front panel display illuminates and shows EATON logo.
5. Verify that the UPS status screen shows , press  to start.
6. Press the  button on the UPS front panel for at least 3 seconds.
The UPS front panel display changes status to "UPS starting..."
7. Check the UPS front panel display for active alarms or notices. Resolve any active alarms before continuing. See "Troubleshooting" on page 40.
If the  indicator is on, do not proceed until all alarms are clear. Check the UPS status from the front panel to view the active alarms. Correct the alarms and restart if necessary.
8. Verify that the  indicator illuminates solid, indicating that the UPS is operating normally and powering the output.
The UPS should be in Online mode.





The internal batteries charge to 90% capacity in less than 3 hours. However, Eaton recommends that the batteries charge for 48 hours after installation or long-term storage.

Starting the UPS on Battery




Before using this feature, the UPS must have been powered by utility power with output enabled at least once. Battery start can be disabled. See "Coldstart setting" in user settings page 26.

To start the UPS on battery:

1. Press the  button on the UPS front panel until the UPS front panel display illuminates and shows a status of "UPS starting...".
The UPS cycles through Standby mode to Battery mode. The  indicator illuminates solid.
The UPS supplies power to your equipment.
2. Check the UPS front panel display for active alarms or notices. Resolve any active alarms before continuing. See "Troubleshooting" on page 40.
Check the UPS status from the front panel to view the active alarms. Correct the alarms and restart if necessary.

UPS shutdown

To shut down the UPS:


1. Press the  button on the UPS front panel. The UPS transfers to Standby mode.
2. Set the upstream circuit breaker (not provided) to the "O" position (Off) to switch off the utility power.

7. Operation


7.2 Operating modes

The Eaton 9PX front panel indicates the UPS status through the UPS indicators, see page 25.

Online mode

During Online mode, the  indicator illuminates solid and the UPS is powered from the utility. The UPS monitors and charges the batteries as needed and provides filtered power protection to your equipment. Optional High Efficiency and Energy Saving settings minimize heat contribution to the rack environment. See "User settings" on page 25.

Battery mode


When the UPS is operating during a power outage, the alarm beeps once every ten seconds and the  indicator illuminates solid. The necessary energy is provided by the battery.

When the utility power returns, the UPS transfers to Online mode operation while the battery recharges.

If battery capacity becomes low while in Battery mode, the audible alarm beeps once every 3 seconds. This warning is approximate, and the actual time to shutdown may vary significantly.

Shutdown all applications on the connected equipment because automatic UPS shutdown is imminent. When utility power is restored after the UPS shuts down, the UPS automatically restarts.

Bypass mode

In the event of a UPS overload or internal failure, the UPS transfers your equipment to utility power. Battery mode is not available and your equipment is not protected; however, the utility power continues to be passively filtered by the UPS. The  indicator illuminates.

Depending on overload conditions, the UPS remains in Bypass mode for at least 5 seconds and will stay in this mode if three transfers to Bypass occur within 20 minutes.

The UPS transfers to Bypass mode when:

- the user activates Bypass mode through the front panel.
- the UPS detects an internal failure.
- the UPS has an overtemperature condition.
- the UPS has an overload condition listed on "Electrical output" on page 44.



The UPS shuts down after a specified delay for overload conditions listed on "Electrical output" on page 44. The UPS remains on to alarm the fault.

High efficiency mode

In High Efficiency mode, the UPS operates normally on Bypass and transfers to Online (or Battery) mode in less than 10 ms when utility fails. Transfers to High Efficiency mode will be active after 5 minutes of Bypass voltage monitoring: if Bypass quality is not in tolerance, then the UPS will remain in Online mode.



Eaton recommends to use the HE mode only to protect I/T equipment.

To set the High Efficiency mode:

1. Put the UPS on Bypass: press any button to activate the menu options, select Control and Go to Bypass.
2. Then press Escape and select Settings, In/Out settings, and High Efficiency mode.
3. Select Enabled and Enter to confirm.
4. The UPS transfers to High Efficiency mode in 5 minutes.

Standby mode

When the UPS is turned-off and remains connected to AC source, the UPS is in Standby mode.

Depending if Bypass Standby setting is enabled, the output is powered but not protected.

The battery recharges when necessary and the communication ports are powered.

7.3 Transferring the UPS between modes

From Online (or Battery) to Bypass mode. Press any button to activate the menu options, then select Control and Go to Bypass.

From Bypass to Online (or Battery) mode. Press any button to activate the menu options, then select Control and Go back normal.

7.4 Configuring Bypass settings

The following settings are available for configuring Bypass operation.

Bypass transfer out of tolerance

1. Press any button to activate the menu options, then select Settings, Output settings, and Bypass transfer.
2. Select Enabled or Disabled for BP AC NOK, and Enter to confirm.
If Enabled, the UPS transfers to Bypass even if Bypass AC source is out of tolerance, depending on output mode. If Disabled, the UPS output is shutdown.

Interrupt time

This setting is displayed to define the break duration during transfer to Bypass, only if transfer out of tolerance is enabled. 10 ms or 20 ms can be selected.

7.5 Configuring battery settings

Automatic battery test

Automatic battery tests are done every week in constant charging mode and at each cycle in ABM mode. The tests frequency can be modified. During the test, the UPS transfers to Battery mode and discharges the batteries for 25 seconds under load.



Battery mode is not displayed and battery low alarm does not activate during a battery test.

The battery test may be cancelled due to bad conditions, or failed.

Low battery warning

During discharge, the low battery alarm is activated if the battery capacity goes below 20%. This threshold can be modified.

External battery setting

The number of Extended Battery Module is automatically detected, or can be set manually in number of EBM or in Ah.

Deep discharge protection

This setting is recommended to avoid damaging the battery. Warranty is void if deep discharge protection is disabled.

7. Operation

7.6 Retrieving the Event log

To retrieve the Event log through the display:

1. Press any button to activate the menu options, then select Event log.
2. Scroll through the listed events.

7.7 Retrieving the Fault log

To retrieve the Fault log through the display:

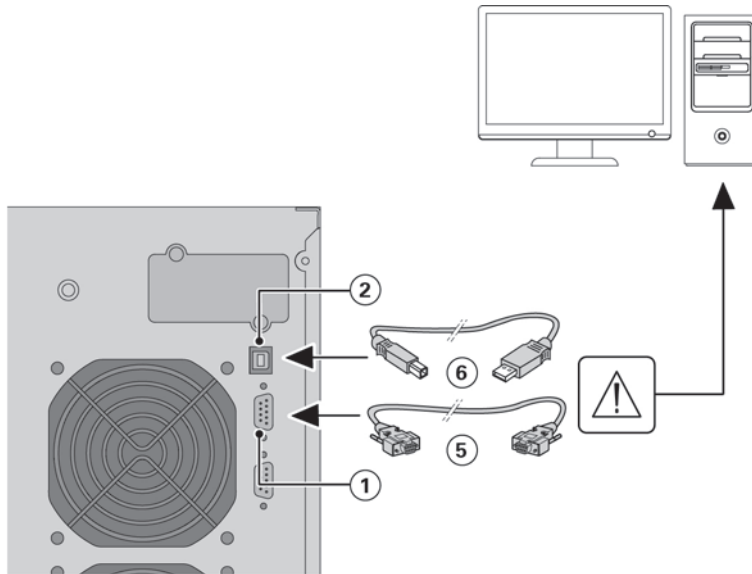
1. Press any button to activate the menu options, then select Fault log.
2. Scroll through the listed faults.

8. Communication

8.1 Communication ports

- **RS232 or USB communication ports**

The RS232 and USB communication ports cannot operate simultaneously.

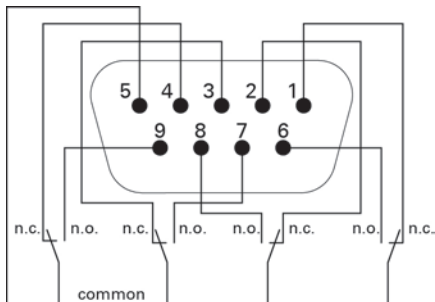


1. Connect the RS232 (5) or USB (6) communication cable to the serial or USB port on the computer.
2. Connect the other end of the communication cable (5) or (6) to the RS232 (1) or USB (2) communication port on the UPS.

The **UPS** can now communicate with EATON power management software.

- **Relay output contacts**

The UPS incorporates four relay outputs; each information is available with a close or open contact.



Status active information: (if contact between pin and common is closed)


- Pin 1: not on Bypass
- Pin 2: load not protected
- Pin 3: not low battery
- Pin 4: not on Battery
- Pin 5: user common
- Pin 6: on Bypass
- Pin 7: low battery
- Pin 8: load protected
- Pin 9: on Battery
- n.o.: contact normally open
- n.c.: contact normally closed

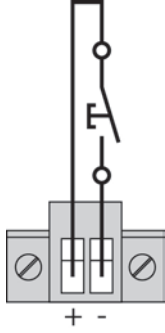


The relay output contacts must not be connected to any utility connected circuits. Reinforced insulation to the utility is required. The relay output contacts have a maximum rating of 250 Vac/5A.

8. Communication

- **Remote On/Off**


Remote On/Off allows remote action of  button to switch On/Off the UPS.



Normally open

When contact changes from open to closed, the UPS is switched-on (or stays On).
When contact changes from closed to open, the UPS is switched-off (or stays Off).



On/Off control via  button has priority over the remote control.

Remote On/Off is not Enabled as default setting and must be Enabled through menu.

- **Remote Power Off**

RPO is used to shutdown the UPS remotely. This feature can be used for shutting down the load and the UPS by thermal relay, for instance in the event of room over temperature. When RPO is activated, the UPS shuts down the output and all its power converters immediately. The UPS remains on to alarm the fault.



The RPO circuit is an IEC 60950 safety extra low voltage (SELV) circuit. This circuit must be separated from any hazardous voltage circuits by reinforced insulation.



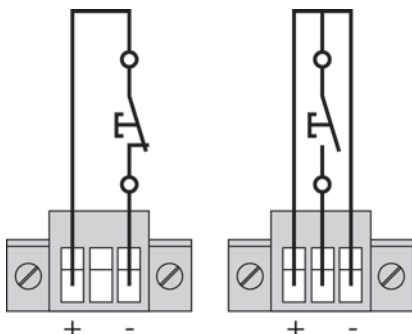
- The RPO must not be connected to any utility connected circuits. Reinforced insulation to the utility is required. The RPO switch must have a minimum rating of 27 Vdc and 20 mA and be a dedicated latching-type switch not tied into any other circuit. The RPO signal must remain active for at least 250 ms for proper operation.
- To ensure the UPS stops supplying power to the load during any mode of operation, the input power must be disconnected from the UPS when the Remote Power Off function is activated.



Leave the RPO connector installed in the RPO port on the UPS even if the RPO function is not needed.

RPO connections:

Internal power supply



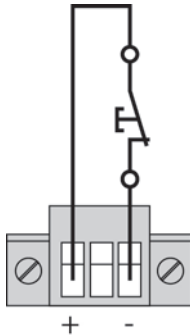
Normally closed

Normally open

Terminal wire size rating is 0.32-4 mm² (22-12 AWG).
Suggested wire size is 0.82 mm² (18 AWG).

Remote control connection and test

1. Check the UPS is shut down and the electrical supply network disconnected.
2. Remove RPO connector from the UPS by unfitting the screws.
3. Connect a normally closed volt-free contact between the two pins of connector.



Normally closed

Contact open: shut down of UPS

To return to normal operation, deactivate the external remote shut down contact and restart the UPS from the front panel.

4. Plug the RPO connector into the back of the UPS and fix the screws.
5. Connect and restart the UPS according to the previously described procedures.
6. Activate the external remote shut down contact to test the function.



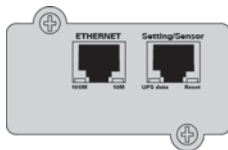
Always test the RPO function before applying your critical load to avoid accidental load loss.

• Connectivity Cards

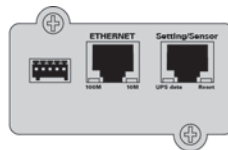
Connectivity cards allow the UPS to communicate in a variety of networking environments and with different types of devices. The 9PX models have one available communication bay for the following connectivity cards:

- **Network-MS card (standard)** - has SNMP and HTTP capabilities as well as monitoring through a Web browser interface; connects to Ethernet network. In addition, a Environmental Monitoring Probe can be attached to obtain humidity, temperature, smoke alarm, and security information.
- **Modbus-MS card** - has connection to Modbus protocol in addition to network management.
- **Relay-MS card** - has isolated dry contact (Form-C) relay outputs for UPS status: Utility failure, Battery low, UPS alarm/OK, or on Bypass.

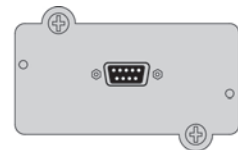
See "Installation of the communication cards", on page 34 for the location of the communication bay.



Network-MS card (standard)



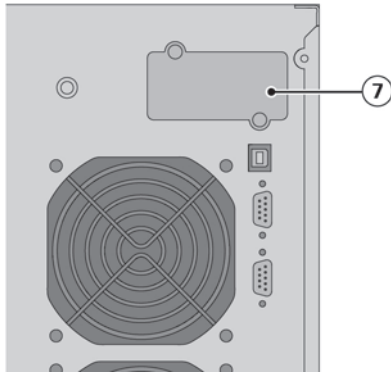
Modbus-MS card



Relay-MS card

8. Communication

Installation of the communication cards



It is not necessary to shutdown the UPS before installing a communication card.

1. Remove the slot cover ⑦ secured by screws.
2. Insert the communication card in the slot.
3. Secure the card cover with the 2 screws.

8.2 Eaton Intelligent Power Software suite

Each 9PX UPS ships with Eaton Intelligent Power Software suite. To begin installing, see the instructions accompanying the Software suite CD.

Eaton Software suite provides up-to-date graphics of UPS power and system data and power flow.

It also gives you a complete record of critical power events, and it notifies you of important UPS or power information.

If there is a power outage and the 9PX UPS battery power becomes low, Eaton Software suite can automatically shut down your computer system to protect your data before the UPS shutdown occurs.

9.1 Equipment care

For the best preventive maintenance, keep the area around the equipment clean and dust free. If the atmosphere is very dusty, clean the outside of the system with a vacuum cleaner. For full battery life, keep the equipment at an ambient temperature of 77°F (25°C).



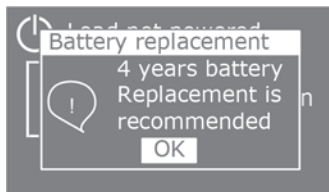
If the UPS requires any type of transportation, verify that the UPS is disconnected and turned off. The batteries are rated for a 3-5 year service life. The length of service life varies, depending on the frequency of usage and ambient temperature. Batteries used beyond expected service life will often have severely reduced runtimes. Replace batteries at least every 4 years to keep units running at peak efficiency.

9.2 Storing the equipment

If you store the equipment for a long period, recharge the battery every 6 months by connecting the UPS to utility power. The EBM charge to 90% capacity in less than 3 hours. However, Eaton recommends that the batteries charge for 48 hours after long-term storage. Check the battery recharge date on the shipping carton label. If the date has passed and the batteries were never recharged, do not use them. Contact your service representative.

9.3 When to replace batteries

When the battery replacement screen is displayed, it is recommended to replace the batteries. Contact your service representative to order new batteries.



9. UPS maintenance

9.4 Replacing batteries



DO NOT DISCONNECT the batteries while the UPS is in Battery mode.

Batteries can be replaced easily without turning off the UPS or disconnecting the load. If service personnel prefer to remove input power to change the batteries, see "UPS shutdown" on page 27.



Consider all warnings, cautions, and notes before replacing batteries.

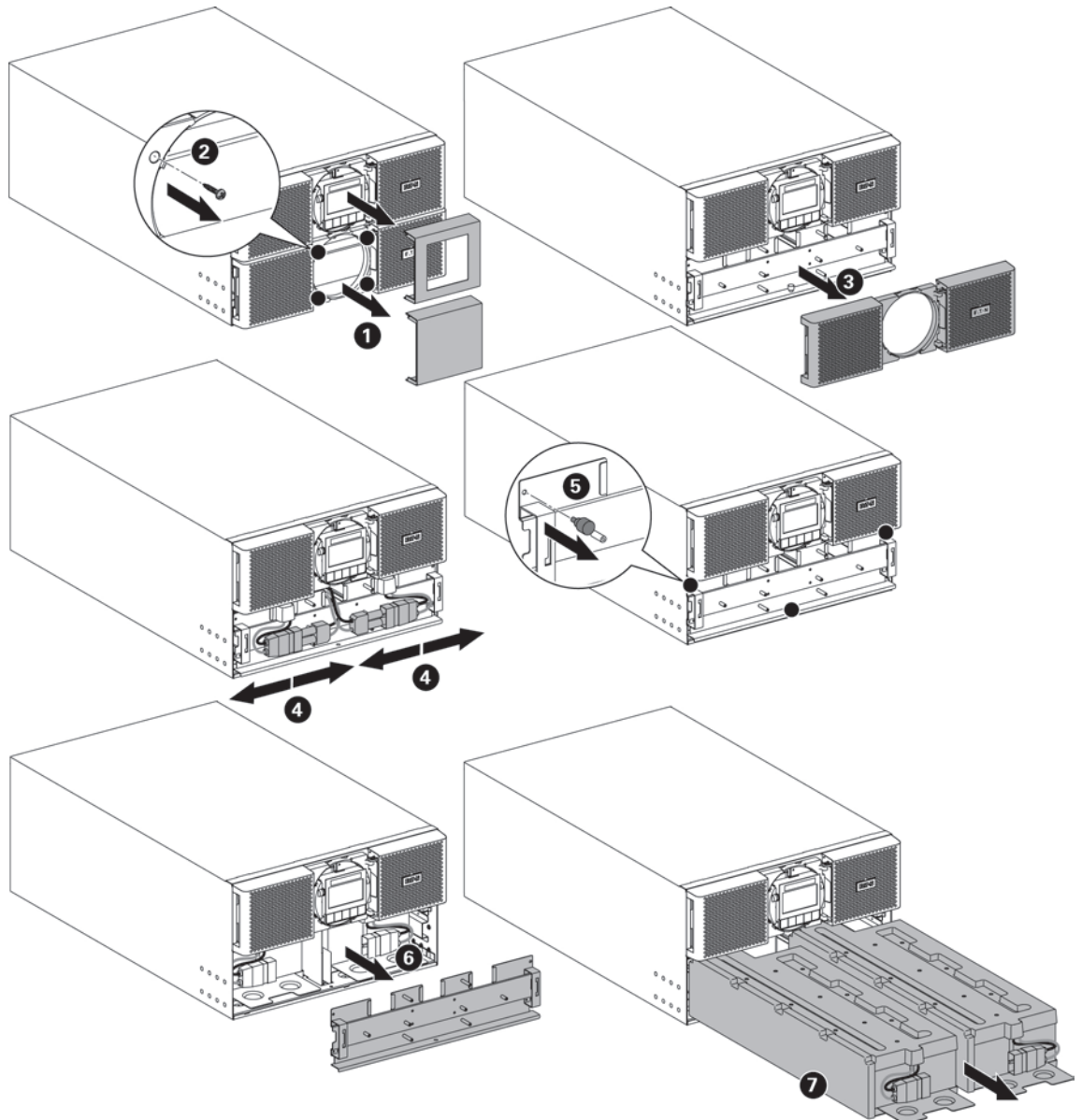
- Servicing should be performed by qualified service personnel knowledgeable of batteries and required precautions. Keep unauthorized personnel away from batteries.
- Batteries can present a risk of electrical shock or burn from high short circuit current. Observe the following precautions:
 1. Remove watches, rings, or other metal objects,
 2. Use tools with insulated handles,
 3. Do not lay tools or metal parts on top of batteries,
 4. Wear rubber gloves and boots.
- When replacing batteries, replace with the same type and number of batteries or battery packs. Contact your service representative to order new batteries.
- Proper disposal of batteries is required. Refer to your local codes for disposal requirements.
- Never dispose of batteries in a fire. Batteries may explode when exposed to flame.
- Do not open or mutilate the battery or batteries. Released electrolyte is harmful to the skin and eyes and may be extremely toxic.
- Determine if the battery is inadvertently grounded. If inadvertently grounded, remove source from ground. Contact with any part of a grounded battery can result in electrical shock. The likelihood of such shock can be reduced if such grounds are removed during installation and maintenance (applicable to equipment and remote battery supplies not having a grounded supply circuit).
- **ELECTRIC ENERGY HAZARD.** Do not attempt to alter any battery wiring or connectors. Attempting to alter wiring can cause injury.
- Disconnect charging source prior to connecting or disconnecting battery terminals.

- **Replacing the UPS internal battery**



The internal battery is heavy. Use caution when handling the heavy batteries.

| Description | Weights (lb/kg) |
|-----------------------------|-----------------|
| 9PX 8K SP internal battery | 67.3 / 30.5 |
| 9PX 10K SP internal battery | 67.3 / 30.5 |



To replace the battery pack:

- Remove the two center cover of the front panel.
- Remove the four screws to remove the bottom front panel.
- Remove the two screws to pull out the metal protection cover of the battery.



A ribbon cable connects the LCD control panel to the UPS. Do not pull on the cable or disconnect it.

- Pull out the plastic handle of the battery pack, and slide the pack out slowly on to a flat and stable surface. Use two hands to support the battery pack. See "Recycling the used equipment" on page 39 for proper disposal.
- Verify that the replacement batteries have the same rating as the batteries being replaced.
- Put the new battery pack into the UPS. Push the battery pack firmly to ensure a proper connection.
- Screw back the metal protection cover and the front panel, then clip the center cover.
- Continue to "Testing new batteries" on page 38.

9. UPS maintenance

• Replacing the EBM(s)

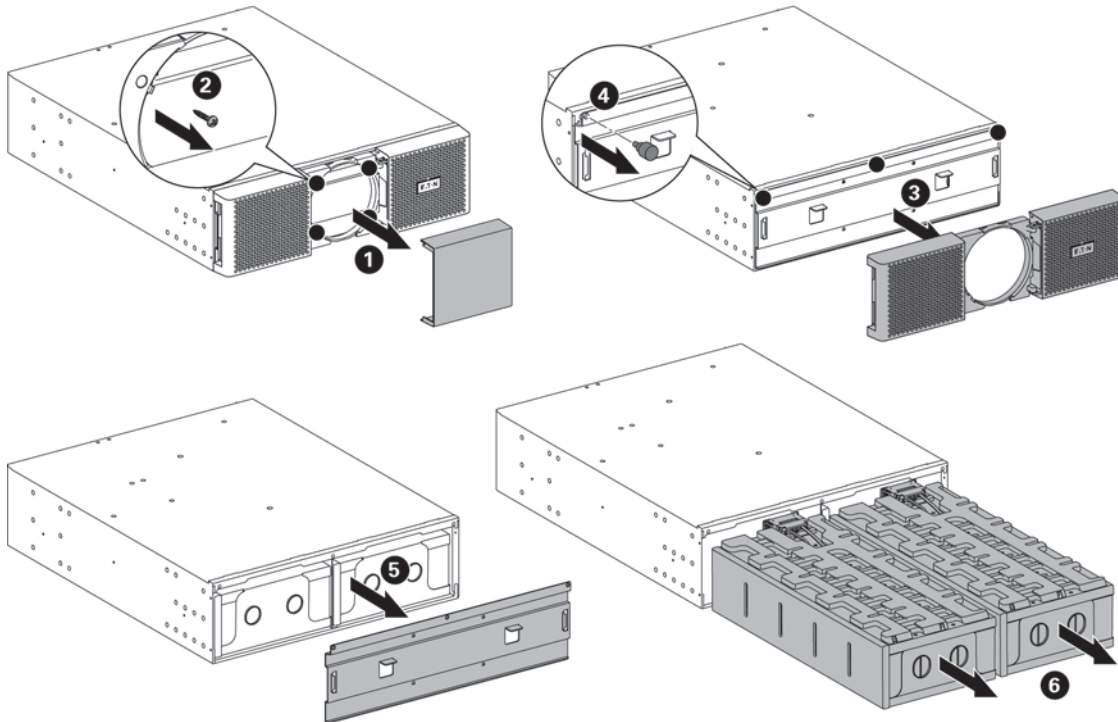


The EBM is heavy. Lifting the cabinet requires a minimum of two service personnel.

| Description | Weights (lb/kg) |
|---|-----------------|
| 9PX EBM 360 SP | 163.2 / 74 |
| 9PX EBM 360 SP without internal battery | 28.7 / 13 |
| 9PX EBM 360 SP internal battery | 67.3 / 30.5 |

To replace the EBM(s):

1. Unplug the EBM power cable and battery detection cable from the UPS.
If additional EBM(s) are installed, unplug the EBM power cable and battery detection cable from each EBM.



To ease EBM replacement:

You can remove the battery pack from the EBM as explained below.

- Remove the center cover of the front panel.
 - Remove the four screws to open the front panel.
 - Remove the three screws to pull out the metal protection cover of the battery.
 - Pull out the plastic handle of the left and right battery packs, and slide the packs out slowly on to a flat and stable surface. Use two hands to support the battery packs.
2. Replace the EBM(s). See "Recycling the used equipment" on page 39 for proper disposal.



A small amount of arcing may occur when connecting an EBM to the UPS. This is normal and will not harm personnel. Insert the EBM cable into the UPS battery connector quickly and firmly.

3. Plug the EBM cable(s) into the battery connector(s). Up to 4 EBMs may be connected to the UPS.
4. Verify that the EBM connections are tight and that adequate bend radius and strain relief exist for each cable.
5. Connect the battery detection cable(s) to the connector of the UPS and of the EBM(s).

• Testing new batteries

To test new batteries:

1. Charge the batteries for 48 hours.
2. Press any button to activate the menu options.
3. Select Control then Start battery test.
The UPS starts a battery test if the batteries are fully charged, the UPS is in Normal mode with no active alarms, and the bypass voltage is acceptable.
During the battery test, the UPS transfers to Battery mode and discharges the batteries for 25 seconds. The front panel displays "Battery test in progress" and the percentage of the test completed.

9.5 Replacing the UPS equipped with a Maintenance Bypass

The Maintenance Bypass allows service to replace the UPS without interrupting the connected loads.

Refer to the specific user manual for more information about the Maintenance Bypass.

9.6 Recycling the used equipment

Contact your local recycling or hazardous waste center for information on proper disposal of the used equipment.



- Do not dispose of the battery or batteries in a fire. Batteries may explode. Proper disposal of batteries is required. Refer to your local codes for disposal requirements.
- Do not open or mutilate the battery or batteries. Released electrolyte is harmful to the skin and eyes. It may be toxic.



Do not discard the UPS or the UPS batteries in the trash. This product contains sealed, lead acid batteries and must be disposed of properly. For more information, contact your local recycling/reuse or hazardous waste center.

Pb



Do not discard waste electrical or electronic equipment (WEEE) in the trash. For proper disposal, contact your local recycling/reuse or hazardous waste center.

10. Troubleshooting

The Eaton 9PX is designed for durable, automatic operation and also alerts you whenever potential operating problems may occur. Usually the alarms shown by the control panel do not mean that the output power is affected. Instead, they are preventive alarms intended to alert the user.

- Events are silent status information that are recorded into the Event log. Example = "AC freq in range".
- Alarms are recorded into the Event log and displayed on the LCD status screen with the logo blinking. Some alarms may be announced by a beep every 3 seconds. Example = "Battery low".
- Faults are announced by a continuous beep and red LED, recorded into the Fault log and displayed on the LCD with a specific message box. Example = Out. short circuit.







Use the following troubleshooting chart to determine the UPS alarm condition.



10.1 Typical alarms and faults

To check the Event log or Fault log :

1. Press any button on the front panel display to activate the menu options.
2. Press the ↓ button to select Event log or Fault log.
3. Scroll through the listed events or faults.

The following table describes typical conditions.

| Conditions | Possible cause | Action |
|---|---|--|
| Battery mode  LED is On. 1 beep every 10 seconds. | A utility failure has occurred and the UPS is in Battery mode. | The UPS is powering the equipment with battery power. Prepare your equipment for shutdown. |
| Battery low  LED is On. 1 beep every 3 seconds. | The UPS is in Battery mode and the battery is running low. | This warning is approximate, and the actual time to shutdown may vary significantly. Depending on the UPS load and number of Extended Battery Modules (EBMs), the "Battery Low" warning may occur before the batteries reach 20% capacity. |
| No battery  LED is On. Beep continuous. | The batteries are disconnected. | Verify that all batteries are properly connected. If the condition persists, contact your service representative. |
| Battery fault  LED is On. Beep continuous. | The battery test is failed due to bad or disconnected batteries, or the battery minimum voltage is reached in ABM cycling mode. | Verify that all batteries are properly connected. Start a new battery test : if the condition persists, contact your service representative. |
| The UPS does not provide the expected backup time. | The batteries need charging or service. | Apply utility power for 48 hours to charge the batteries. If the condition persists, contact your service representative. |
| Bypass mode  LED is on. | An overload or a fault has occurred, or a command has been received and the UPS is in Bypass mode. | Equipment is powered but not protected by the UPS. Check for one of the following alarms: overtemperature, overload or UPS failure. |
| Power overload  LED is On. Beep continuous. | Power requirements exceed the UPS capacity (greater than 100% of nominal; see page 44 for specific output overload ranges). | Remove some of the equipment from the UPS. The UPS continues to operate, but may switch to Bypass mode or shut down if the load increases. The alarm resets when the condition becomes inactive. |

| | | |
|--|---|---|
| <p>UPS overtemperature</p>  <p>LED is On. 1 beep every 3 seconds.</p> | <p>The UPS internal temperature is too high or a fan has failed. At the warning level, the UPS generates the alarm but remains in the current operating state. If the temperature rises another 10°C, the UPS transfers to Bypass mode or shuts down if Bypass is unusable.</p> | <p>If the UPS transferred to Bypass mode, the UPS will return to normal operation when the temperature drops 5°C below the warning level. If the condition persists, shut down the UPS. Clear vents and remove any heat sources. Allow the UPS to cool. Ensure the airflow around the UPS is not restricted. Restart the UPS. If the condition continues to persist, contact your service representative.</p> |
| <p>The UPS does not start.</p> | <p>The input source is not connected correctly.</p> | <p>Check the input connections.</p> |
| <p>Input bad wiring / Output bad wiring</p>  <p>Led is On. Beep continuous.</p> | <p>Input/Output cables are not connected to the correct terminal blocks.</p> | <p>Connect correctly the Input/Output cables.</p> |

10. Troubleshooting

10.2 Silencing the alarm

Press the ESC (Escape) button on the front panel display to silence the alarm. Check the alarm condition and perform the applicable action to resolve the condition. If the alarm status changes, the alarm beeps again, overriding the previous alarm silencing.

10.3 Service and support

If you have any questions or problems with the UPS, call your **Local Distributor** or your local service representative and ask for a UPS technical representative.

Please have the following information ready when you call for service:

- Model number
- Serial number
- Firmware version number
- Date of failure or problem
- Symptoms of failure or problem
- Customer return address and contact information

If repair is required, you will be given a Returned Material Authorization (RMA) number. This number must appear on the outside of the package and on the Bill Of Lading (if applicable). Use the original packaging or request packaging from the Help Desk or distributor. Units damaged in shipment as a result of improper packaging are not covered under warranty. A replacement or repair unit will be shipped, freight prepaid for all warrantied units.



For critical applications, immediate replacement may be available. Call the **Help Desk** for the dealer or distributor nearest you.

11.1 Model specifications

Table 1. UPS model list

| Model | Power ratings |
|----------|---|
| 9PX8KSP | 8000VA / 7200W at 120/208V, 100/200V, 110/220V, 115/230V, 120/240V, 127/220V output |
| 9PX10KSP | 8000VA / 7200W at 100/200V output |
| | 9000VA / 8100W at 110/220V output |
| | 10000VA / 9000W at 120/208V, 115/230V, 120/240V, 127/220V output |

Table 2. Extended Battery Module model list

| Model | Configuration | Battery voltage | For power ratings |
|-------------|---------------|-------------------------|--------------------|
| 9PXEBM360SP | Rack / Tower | 360Vdc (± 180 Vdc) | 8000VA and 10000VA |

Table 3. Weights and dimensions

| Model | Dimensions H x W x D (inch/mm) | Weight (lb/kg) |
|-------------|--------------------------------------|----------------|
| 9PX8KSP | 10.3 x 17.4 x 29.4 / 262 x 440 x 745 | 225 / 102 |
| 9PX10KSP | 10.3 x 17.4 x 29.4 / 262 x 440 x 745 | 225 / 102 |
| 9PXEBM360SP | 5.2 x 17.4 x 25.4 / 130 x 440 x 645 | 163.2 / 74 |

Table 4. Electrical input

| Nominal frequency | 50/60Hz auto-sensing | |
|-----------------------------|--|---------------|
| Frequency range | 50Hz: 40-70Hz before transfer to battery 60Hz: 40-70Hz before transfer to battery | |
| Bypass voltage range | -15% / +15% of nominal value (default) | |
| Model | Input voltage | Input current |
| 9PX8KSP | 100/200V | 43A |
| | 110/220V | 43A |
| | 115/230V | 43A |
| | 120/208V | 43A |
| | 120/240V | 43A |
| | 127/220V | 43A |
| 9PX10KSP | 100/200V | 46A |
| | 110/220V | 46A |
| | 115/230V | 46A |
| | 120/208V | 46A |
| | 120/240V | 46A |
| | 127/220V | 46A |

Table 5. Electrical input connections

| Model | Input connection |
|----------|------------------|
| 9PX8KSP | Hardwired |
| 9PX10KSP | |

11. Specifications

Table 6. Electrical output

| All models | Normal mode | Battery mode |
|-------------------------------|---|--|
| Voltage regulation | ±2% (Lx-N); ±5% (L1-L2) | ±10% |
| Efficiency | > 97% (High Efficiency mode) 94% for 9PX8KSP/9PX10KSP (Typical) | |
| Frequency regulation | Sync with line ±5% of nominal line frequency (outside this range: ±0.5% of auto-selected nominal frequency) | ±0.5% of auto-selected nominal frequency |
| Nominal output | 100/200V, 110/220V, 115/230V, 120/208V, 120/240V, 127/220V (voltage configurable) (Output Rating are in Table1 of 9.1 section) | |
| Frequency | 50 or 60Hz, autosensing or configurable as a frequency converter | |
| Output overload | 100-102%: no alarm 102-110%: load transfers to Bypass mode after 2 minutes 110-125%: load transfers to Bypass mode after 1 minute 125-150%: load transfers to Bypass mode after 10s > 150%: load transfers to Bypass mode after 900ms | 100-102%: no alarm 102-130%: load transfers to Bypass mode after 10s > 130%: load transfers to Bypass mode after 100ms |
| Output overload (Bypass mode) | 100-125% : no alarm 125-150% : UPS shuts down after 1 minute > 150% : UPS shuts down after 1s | |
| Voltage waveform | Sinewave | |
| Harmonic distortion | < 3% THDV on linear load < 5% THDV on non-linear load | |
| Transfer time | Online mode: 0 ms (no break) High Efficiency mode: 10ms maximum (due to loss of utility) | |
| Power factor | 0.9 | |
| Load crest ratio | 3 to 1 | |

Table 7. Electrical output connections

| Model | Output connection |
|----------------------|---|
| 9PX8KSP, 9PX10KSP | Hardwired (2) L14-30R outlets (1) L6-30R outlet |

Table 8. Environmental and safety

| | |
|---------------------------|--|
| EMC certifications | UL 1778 4th CAN/CSA C22.2 No 107.3-05 Ed.2 |
| EMC (Emissions)* | FCC part 15 Class A CISPR22 Class A AS/NZS 22 Class A IEC 61000-3-2 (-3-12) IEC 61000-3-3 (-3-11) |
| EMC (Immunity) | IEC 61000-2-2 IEC 61000-4-2, Level 3 IEC 61000-4-3, Level 3 IEC 61000-4-4, Level 4 (also on signal ports) IEC 61000-4-5, Level 4, Criteria B IEC 61000-4-6, Level 3 IEC 61000-4-8, Level 4 |

| | |
|------------------------------|--|
| Agency markings | CE / cULus / NOM |
| Operating temperature | 32 to 104°F (0 to 40°C) in Online mode, with linear derating for altitude Note: thermal protection switches load to Bypass in case of overheating. |
| Storage temperature | 32 to 104°F (0 to 40°C) with batteries 5 to 140°F (-15 to 60°C) without batteries |
| Transit temperature | -4 to 122°F (-20 to 50°C) |
| Relative humidity | 0 to 95% no condensing |
| Operating altitude | Up to 2,000 meters (6,562 ft) above sea level with 10% derating per 1000m |
| Transit altitude | Up to 10,000 meters (32,808 ft) above sea level |
| Audible noise | < 55 dBA at 1 meter typical |

Table 9. Battery

| | Internal batteries | EBM |
|-----------------------------------|---|-------------------------------|
| Rack / Tower configuration | 9PX8KSP/9PX10KSP: 360Vdc (±180Vdc) | 9PXEBM360SP: 360Vdc (±180Vdc) |
| Type CSB/HR1227WF2FR | Sealed, maintenance-free, valve-regulated, lead-acid, with minimum 3-year float service life at 77°F (25°C). Lifetime is reduced above 86°F (30°C). | |
| Monitoring | Advanced monitoring for earlier failure detection and warning | |
| Battery port | External three-pole SBS75G Brown + SBS75G White connectors on UPS for connection to EBM | |
| EBM battery cable length | 9PXEBMSP360: 50cm (19.7in) | |

Table 10. Communication options

| | |
|--------------------------------------|--|
| Communication bay | (1) available independent communication bay for connectivity cards |
| Compatible connectivity cards | Network-MS Modbus-MS Relay-MS |
| Communication ports | RS-232 (DB9): 1200-19200 bps USB: 19200 bps |
| Relay output contacts | (4) relay outputs (normally open or normally closed) |
| Remote On/Off | 2 pins jumper (normally closed) |
| Remote Power Off | 3 pins jumper (pin 1 & 3 normally closed) |

EATON Customer Care Center

Technical Support and Product Services



Technical questions? If you encounter a problem while following the instructions in this manual, or have questions about the operation, repair, or servicing of your equipment, please visit our web site powerquality.eaton.com for complete service information.

To insure that your questions are correctly answered, please obtain the part number, assembly number, and serial number of the unit and include them in any discussions or correspondence.

Part Number: _____

Assembly Number: _____

Serial number: _____

Who To Contact

For Technical Support, Customer Care Center, Customer FAQ please visit our website: powerquality.eaton.com

Scheduling Field Service Engineer Support

Scheduling of the EATON Field Service Engineers typically should be done 7 to 10 days before they are required on-site. If the startup of the UPS is critical to maintaining your schedule, please contact EATON, to insure a safe installation and start-up that will maintain the EATON warranty and insure smooth performance.

Return Policy for Single Phase Products (RMA)

Should you require factory service for your equipment, contact EATON Customer Care Center and obtain a Return Materials Authorization (RMA) prior to shipping your unit. Never ship equipment to EATON without first obtaining an RMA number.

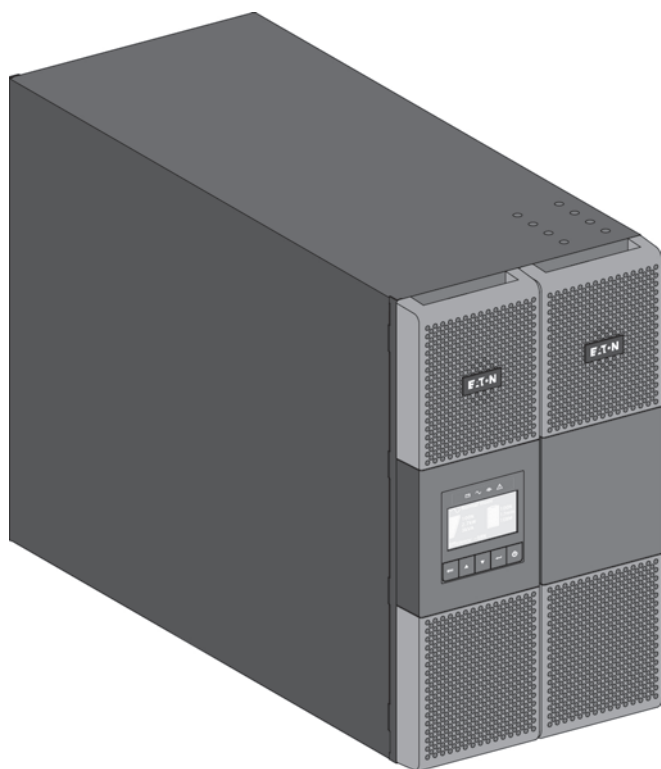
For further details please visit our website: powerquality.eaton.com

Date: _____

RMA Number: _____

Contact Name: _____

| | |
|--|---|
| Bypass AC source | Source supplying the bypass line. The equipment can be transferred to the bypass line if an overload occurs on the UPS output, for maintenance or in the event of a malfunction. |
| Frequency converter | Operating mode used to convert the AC-power frequency between the UPS input and output (50Hz -> 60Hz or 60Hz -> 50Hz). |
| Low-battery warning | This is a battery-voltage level indicating that battery power is low and that the user must take action to prevent the imminent break in the supply of power to the load. |
| Backup time | Time during which the load can be supplied by the UPS operating on battery power. |
| Load | Devices or equipment connected to the UPS output. |
| HE mode | Operating mode by which the load is supplied directly by the AC source if it is within the tolerances defined by the user. This mode reduces the consumption of electrical power |
| Manual bypass | Rotary switch controlled by the user, used to connect the loads directly to the AC source. Transfer of the load to the manual bypass enables UPS maintenance without interrupting the supply of power to the connected loads. |
| Normal (double conversion) mode | The normal UPS operating mode in which the AC source supplies the UPS which in turn supplies the connected loads (after electronic double conversion). |
| Input AC source | Input source of power for the UPS. |
| Relay contacts | Contacts supplying information to the user in the form of signals. |
| UPS | Uninterruptible Power Supply. |



**9PX8KSP
9PX10KSP
9PXEBM360SP**

**Manuel d'installation
et d'utilisation**

Copyright © 2014 **EATON**
Tous droits réservés.

SAV et assistance :
Contacter votre représentant SAV local

CONSIGNES DE SÉCURITÉ

GARDEZ CES CONSIGNES. Ce manuel contient des consignes importantes à suivre durant l'installation et la maintenance des ASI et des batteries.

Les modèles 9PX abordés dans ce manuel sont destinés à une installation dans un environnement exempt de contaminants conducteurs et dont la température est comprise entre 32 et 104°F / 0 et 40 °C.

Cet équipement a été testé et déclaré conforme aux limites fixées pour un appareil numérique de classe A, suivant la section 15 des réglementations de la FCC. Ces limites sont destinées à garantir une protection raisonnable contre les interférences nuisibles lorsque l'équipement est utilisé dans un environnement commercial. Cet équipement génère, utilise et peut dégager une énergie en radiofréquence et, s'il n'est pas installé et utilisé conformément au manuel d'instructions, il peut être à l'origine d'interférences nuisibles dans les communications radio. Le fonctionnement de cet équipement dans une zone résidentielle est susceptible de provoquer des interférences nuisibles, auquel cas l'utilisateur devra corriger les interférences à ses propres frais.

Normes de certification

- Sécurité : UL 1778 4^e.
CAN/CSA C22.2 No 107.3-05, Ed.2.
- EMC : CEI/EN 62040-1 / Ed.1: 2008
CEI/EN 62040-2 / Ed.2 : 2006.
FCC section 15 classe A.
- Performances : CEI/EN 62040-3 / Ed.2.0 : 2011.
- CEI 61000-4-2 (ESD) : niveau 3.
- CEI 61000-4-3 (champ de rayonnement) : niveau 3.
- CEI 61000-4-4 (EFT) : niveau 4.
- CEI 61000-4-5 (microcoupures) : niveau 4.
- CEI 61000-4-6 (champs électromagnétiques) : niveau 3.
- CEI 61000-4-8 (champ magnétique conducteur) : niveau 4.

Symboles spéciaux

Les symboles ci-après sont des exemples de symboles utilisés sur l'ASI ou les accessoires pour vous avertir d'informations importantes :



RISQUE DE CHOC ELECTRIQUE - Observez l'avertissement associé au symbole de risque de choc électrique.



Instructions importantes devant toujours être suivies.



Ne pas jeter l'ASI ni les batteries de l'ASI dans les ordures ménagères.
Ce produit contient des batteries au plomb scellées à éliminer conformément aux instructions du présent manuel.
Pour plus d'informations, contactez votre centre local de recyclage/réutilisation de déchets dangereux.



Ce symbole indique que vous ne devez pas jeter des équipements électriques ou électroniques usagés dans les ordures ménagères. Pour plus d'informations, contactez votre centre local de recyclage/réutilisation de déchets dangereux.



Information, conseil, aide.



Consultez le manuel des accessoires de l'onduleur.

Sécurité des personnes

- **RISQUE DE RÉALIMENTATION.** Le système dispose de sa propre alimentation (batterie). Isolez l'onduleur et vérifiez la présence de tensions dangereuses en amont et en aval lors du verrouillage et de l'étiquetage. Les bornes peuvent être sous tension, même si le système est déconnecté du secteur.
- Les tensions qui règnent à l'intérieur du système sont dangereuses. Il doit être ouvert exclusivement par des réparateurs qualifiés.
- Le système dispose de sa propre alimentation (batterie). En conséquence, les bornes peuvent être sous tension, même si le système est déconnecté du secteur. Les tensions qui règnent à l'intérieur du système sont dangereuses. Il doit être ouvert exclusivement par des réparateurs qualifiés.
- Le système doit être raccordé à la terre.
- La batterie fournie avec le système contient de petites quantités de substances toxiques. Pour éviter les accidents, respectez les directives ci-dessous :
 - L'entretien des batteries doit être effectué ou supervisé par du personnel qualifié et prenant les précautions requises.
 - Lorsque vous remplacez les batteries, utilisez le même type et le même nombre de batteries ou de blocs de batterie.
 - Ne jetez jamais les batteries au feu. Les batteries peuvent exploser.
 - Les batteries présentent certains dangers (électrocution, brûlures). Le courant des courts-circuits peut être très élevé.
- Toute manipulation doit être effectuée avec précaution :
 - Portez des gants et des bottes en caoutchouc.
 - Ne posez pas d'outils ou de pièces métalliques sur des batteries.
 - Débranchez la source de recharge avant de brancher ou débrancher les bornes d'une batterie.
 - Vérifiez que la batterie n'a pas été raccordée à la terre par mégarde. Dans ce cas, débranchez-la de la prise de terre. Le contact avec toute pièce d'une batterie mise à la terre peut provoquer une électrocution. Le risque d'électrocution peut être réduit si la prise de terre est débranchée pendant l'installation et l'entretien (alimentations de batterie d'équipement et distantes sans circuit d'alimentation raccordé à la terre).

Sécurité du produit

- Suivez les instructions de branchement et d'utilisation de l'ASI dans l'ordre indiqué dans le manuel. **MISE EN GARDE** - Pour réduire les risques d'incendie, l'unité est uniquement raccordée à un circuit doté d'une protection contre les surintensités pour les circuits de dérivation avec :
 - 60A pour modèles 8kVA,
 - 60A pour modèles 10kVA,
 conformément au Code électrique national, ANSI/NFPA 70 (États-Unis uniquement). Le disjoncteur amont doit être facile d'accès. L'unité peut être déconnectée du secteur en ouvrant ce disjoncteur.
- Pour les circuits d'entrée/sortie en C.A. branchés en permanence, un moyen de déconnexion et des dispositifs de protection contre la surintensité doivent être fournis par des tiers.
- Vérifiez que les indications figurant sur la plaque signalétique correspondent à votre système branché sur le secteur, ainsi qu'à la consommation électrique réelle de tous les équipements à raccorder au système.
- Dans le cas des **ÉQUIPEMENTS POUVANT ÊTRE CONNECTÉS**, la prise murale doit être à proximité et facile d'accès.
- N'installez jamais le système près de liquide ou dans un environnement excessivement humide.
- Ne laissez jamais un corps étranger entrer dans le système.
- Ne bloquez jamais les grilles de ventilation du système.
- N'exposez jamais le système à la lumière directe du soleil ou à une source de chaleur.
- Si vous devez entreposer le système avant de l'utiliser, entreposez-le dans un endroit sec.
- La plage de températures appropriées pour l'entreposage du système est de 32 à 104°F / 0 à 40°C.
- Ce système ne doit pas être utilisé dans une salle informatique, conformément à la norme de protection des équipements informatiques ANSI/NFPA 75 (États-Unis uniquement). Pour commander un kit de batteries spécial conforme aux normes ANSI/NFPA 75, contactez votre revendeur Eaton.

Pour le modèle 9PX8KSP, dispositif de déconnexion - **MISE EN GARDE** - un sectionneur doit être fourni par des tiers pour le circuit de sortie en C.A.. Afin de réduire les risques d'incendie, effectuer le branchement uniquement sur un circuit comportant un dispositif de protection de surintensité du circuit de dérivation de 40 ampères, conformément à la norme ANSI/NFPA 70 du NEC (National Electric Code, code national d'électricité américain).

Pour le modèle 9PX10KSP, dispositif de déconnexion - **MISE EN GARDE** - un sectionneur doit être fourni par des tiers pour le circuit de sortie en C.A.. Afin de réduire les risques d'incendie, effectuer le branchement uniquement sur un circuit comportant un dispositif de protection de surintensité du circuit de dérivation de 45 ampères, conformément à la norme ANSI/NFPA 70 du NEC (National Electric Code, code national d'électricité américain).

CONSIGNES DE SÉCURITÉ

Précautions spéciales

- L'unité est lourde : portez des chaussures de sécurité et utilisez de préférence un palonnier à ventouses pour les manipulations.
- Toutes les manipulations requièrent au moins deux personnes (déballage, soulèvement, installation dans un bâti).
- Pour l'EBM, les sangles sont uniquement fournies pour déballer manuellement l'unité du carton. Ne les utilisez pas pour transporter l'unité. L'unité peut glisser et tomber lorsque vous manipulez les sangles (risque de blessure et d'endommagement du produit) :
 - respectez une distance minimale de 30 cm/12 in entre les lanières
 - soulevez prudemment l'unité et transportez-la le plus bas possible par rapport au sol
 - veillez à ce que l'unité reste à l'horizontale pendant le déballage.
- Avant et après l'installation, si l'ASI demeure hors-tension pendant une longue période, mettez-le sous tension pendant 24 heures au moins une fois tous les six mois (à une température d'entreposage normale de moins de 77°F (25°C)). Vous chargez ainsi la batterie et évitez des dommages irréparables.
- Durant le remplacement de la batterie, il est essentiel d'utiliser le même type et le même nombre d'éléments que la batterie originale, fournie avec l'ASI, afin d'obtenir le même niveau de rendement et de sécurité. En cas de doute, n'hésitez pas à communiquer avec votre représentant .
- Toutes les réparations et interventions doivent être effectuées **EXCLUSIVEMENT PAR DU PERSONNEL AGRÉÉ**. L'onduleur ne renferme **AUCUNE PIÈCE RÉPARABLE PAR L'UTILISATEUR**.

| | |
|---|-----------|
| 1. Introduction..... | 6 |
| 1.1 Respect de l'environnement..... | 6 |
| 2. Présentation..... | 8 |
| 2.1 Poids et dimensions..... | 8 |
| 2.2 Configuration du panneau arrière..... | 9 |
| 2.3 Accessoires (option) | 9 |
| 3. Installation pour 9PX 8K SP / 9PX 10K SP | 10 |
| 3.1 Inspection de l'équipement | 10 |
| 3.2 Déballage de l'équipement | 10 |
| 3.3 Vérification du kit d'accessoires..... | 11 |
| 3.4 Position tour..... | 12 |
| 3.5 Position rack | 13 |
| 3.6 Raccordement de la batterie interne | 14 |
| 4. Installation pour EBM(s) | 15 |
| 4.1 Inspection de l'équipement | 15 |
| 4.2 Déballage de l'équipement | 15 |
| 4.3 Vérification du kit d'accessoires..... | 16 |
| 4.4 Préparation de l'installation | 17 |
| 4.5 Position tour..... | 18 |
| 4.6 Position rack | 19 |
| 4.7 Connexion du ou des EBM(s) | 20 |
| 4.8 Connexion d'autres accessoires | 20 |
| 5. Connexion des câbles de puissance | 21 |
| 5.1 Conditions d'installation..... | 21 |
| 5.2 Accès au bornier | 22 |
| 5.3 Connexion d'entrée/sortie câblée | 22 |
| 6. IHM et réglages | 23 |
| 6.1 Panneau de commande et d'affichage | 23 |
| 6.2 Description de l'écran LCD | 24 |
| 6.3 Fonctions d'affichage..... | 25 |
| 6.4 Paramètres utilisateur | 25 |
| 7. Fonctionnement | 27 |
| 7.1 Démarrage et arrêt de l'onduleur..... | 27 |
| 7.2 Modes opérationnels | 28 |
| 7.3 Transfert de l'onduleur entre les différents modes | 29 |
| 7.4 Configuration des paramètres Bypass..... | 29 |
| 7.5 Configuration des paramètres batterie | 29 |
| 7.6 Récupération du journal des événements | 30 |
| 7.7 Récupération du journal des défauts | 30 |
| 8. Communication | 31 |
| 8.1 Ports de communication | 31 |
| 8.2 Le Eaton Intelligent Power Software suite..... | 34 |
| 9. Entretien de l'Onduleur | 35 |
| 9.1 Entretien de l'équipement | 35 |
| 9.2 Entreposage de l'équipement..... | 35 |
| 9.3 Quand remplacer les batteries..... | 35 |
| 9.4 Remplacement des batteries..... | 36 |
| 9.5 Remplacement de l'ASI équipé d'un Bypass de maintenance (BPE20MBB1A)..... | 39 |
| 9.6 Recyclage des équipements usagés | 39 |
| 10. Dépannage..... | 40 |
| 10.1 Alarmes particulières et conditions..... | 40 |
| 10.2 Arrêt de l'alarme | 42 |
| 10.3 Service et support..... | 42 |
| 11. Caractéristiques..... | 43 |
| 11.1 Caractéristiques techniques du modèle | 43 |
| 12. Glossaire..... | 47 |

1. Introduction

Nous vous remercions d'avoir choisi un produit EATON pour la sécurité de vos applications.

La gamme 9PX a été élaborée avec le plus grand soin.
Pour exploiter au mieux les performances de votre ASI (Alimentation Sans Interruption), nous vous conseillons de prendre le temps de lire ce manuel.

Avant l'installation de 9PX, lire le livret qui présente les consignes de sécurité à respecter.
Suivre ensuite les instructions du présent manuel.

Nous vous invitons à découvrir l'offre de EATON ainsi que les options de la gamme 9PX en visitant notre site Web : powerquality.eaton.com, ou en contactant votre représentant EATON.

1.1 Respect de l'environnement


La société EATON s'est engagée dans une politique de protection et de préservation de l'environnement. Nos produits sont développés selon une démarche d'éco-conception.


Substances

Ce produit ne contient ni de CFC, ni de HCFC, ni d'amiante.

Emballage

Pour améliorer le traitement des déchets et faciliter le recyclage, séparer les éléments de l'emballage.

- Le carton est composé de plus de 50% de carton recyclé.
- Les sacs et sachets sont en polyéthylène.
- Les matériaux constituant l'emballage sont recyclables et marqués du symbole d'identification 

| Matériaux | Abréviations | Numéro dans les symboles  |
|----------------------------|--------------|--|
| Polyéthylène Téréphthalate | PET | 01 |
| Polyéthylène Haute Densité | HDPE | 02 |
| Polyvinyle Chloride | PVC | 03 |
| Polyéthylène Basse Densité | LDPE | 04 |
| Polypropylène | PP | 05 |
| Polystyrène | PS | 06 |

Suivre les réglementations locales en vigueur pour l'élimination de l'emballage.

Fin de vie

La société EATON s'est engagée à traiter les produits en fin de vie selon les réglementations locales. EATON travaille avec des sociétés en charge de la collecte et de l'élimination de nos produits en fin de vie.

Produit

Le produit est composé de matériaux recyclables. Son démantèlement et sa destruction doivent se faire en accord avec les réglementations locales en vigueur concernant les déchets.

Le produit en fin de vie doit être déposé dans un centre de traitement des déchets électriques et électroniques.

Batterie

Le produit contient des batteries au plomb qui doivent être traitées suivant les réglementations locales en vigueur concernant les batteries.

Pour suivre ces réglementations et éliminer la batterie de manière propre, il est possible de l'extraire du produit.

1. Introduction

L'alimentation Eaton® 9PX sans interruption (onduleur), protège votre équipement électronique sensible contre les problèmes d'alimentation les plus courants, telles que les pannes de courant, les chutes de courant, les surintensités, les parasites, les pics de haute tension, les variations de fréquence, les transitoires de commutation, et la distorsion harmonique.

En effet, les coupures de courant peuvent survenir lorsque vous vous y attendez le moins et la qualité du courant peut être irrégulière. Ces problèmes de courant ont le potentiel de corrompre les données critiques, de détruire des sessions de travail non enregistrées et d'endommager le matériel informatique - provoquant des pertes de productivité et des réparations onéreuses.

Avec le Eaton 9PX, vous pouvez éliminer de façon sûre les effets des pannes de courant et préserver votre équipement. Offrant une fiabilité et un fonctionnement remarquable, les avantages uniques du Eaton 9PX comprennent :

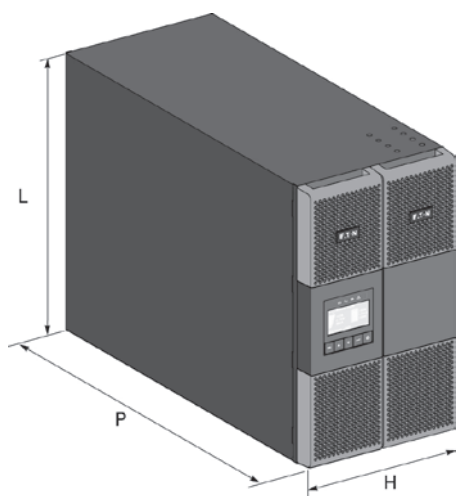
- une véritable technologie on line double-conversion avec haute densité de puissance, indépendance de la fréquence du secteur, et compatibilité avec groupe électrogène ;
- la technologie ABM®, pour la gestion intelligente des batteries, augmente leur durée de vie, optimise leur recharge et avertit de leur fin de vie bien avant qu'elle ne survienne ;
- un mode de fonctionnement sélectionnable haute performance ;
- des options de communication standard : Network-MS card (Web/SNMP), un port de communication RS-232, un port de communication USB, et des contacts de sortie de relais ;
- des cartes optionnelles de connectivité avec des capacités de communication améliorées (Modbus-MS, Relay-MS) ;
- un temps de secours étendu en utilisant jusqu'à quatre modules de batterie externe (EBM) ;
- un logiciel embarqué facilement évolutif sans appel aux services ;
- mise sous tension/hors tension à distance (ROO) et ports RPO.
- approuvé par de nombreux organismes dans le monde entier.

2. Présentation

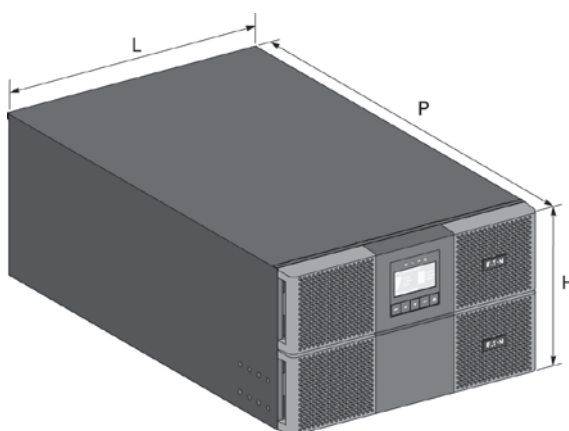
2.1 Poids et dimensions

9PX 8K SP / 9PX 10 SP

Position tour



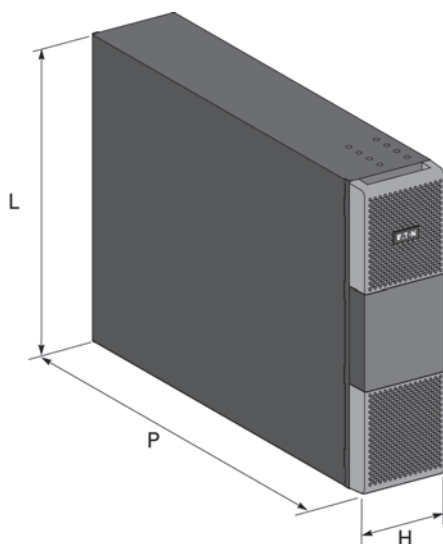
Position rack



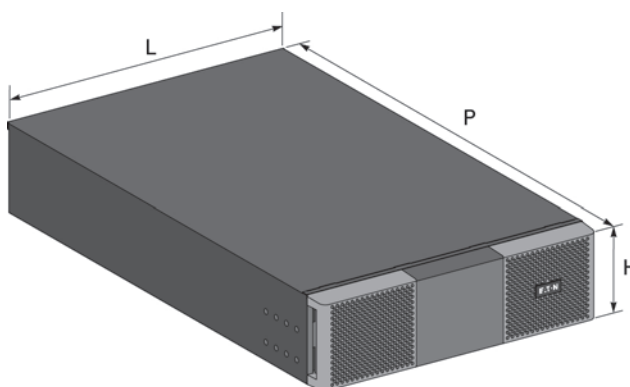
| Description | Poids (lb/kg) | Dimensions H x L x P (inch/mm) |
|-------------|---------------|--------------------------------------|
| 9PX8KSP | 225 / 102 | 10.3 x 17.4 x 29.4 / 262 x 440 x 745 |
| 9PX10KSP | 225 / 102 | 10.3 x 17.4 x 29.4 / 262 x 440 x 745 |

9PX EBM 360SP

Position tour



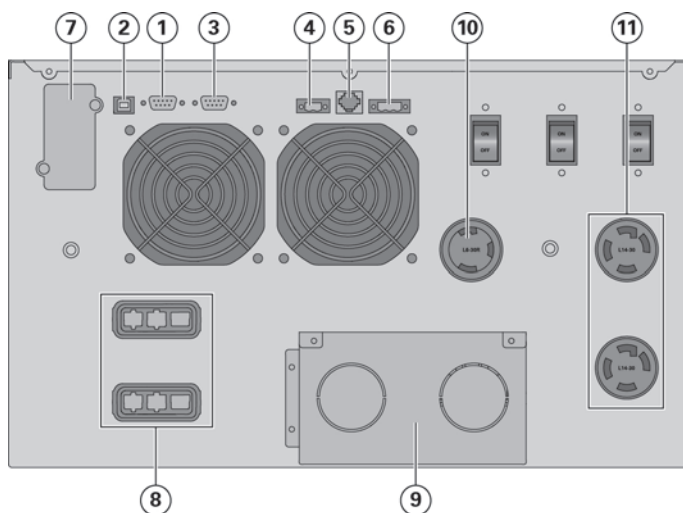
Position rack



| Description | Poids (lb/kg) | Dimensions H x L x P (inch/mm) |
|-------------|---------------|-------------------------------------|
| 9PXEBM360SP | 163.2 / 74 | 5.2 x 17.4 x 25.4 / 130 x 440 x 645 |

2.2 Configuration du panneau arrière

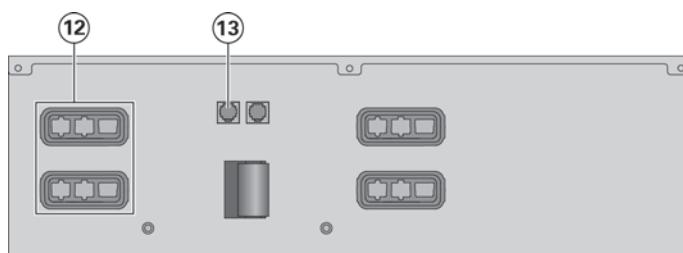
9PX 8K SP / 9PX 10K SP



- ① Port de communication RS232
- ② Port de communication USB
- ③ Port de communication par contacts secs (relais)
- ④ Connecteur MBP et ROO (Remote On/Off)
- ⑤ Connecteurs de reconnaissance automatique du module de batteries
- ⑥ Connecteur pour RPO (Remote Power Off)
- ⑦ Emplacement pour carte de communication optionnelle
- ⑧ Connecteur pour module de batterie
- ⑨ Bornier d'entrée/sortie
- ⑩ (1) Sortie L6-30R
- ⑪ (2) Sortie L14-30R

9PX EBM 360SP

(Module de batteries externes du 9PX 8K SP et 9PX 10K SP)



- ⑫ Connecteurs pour modules de batteries (vers l'ASI ou les autres modules de batteries)
- ⑬ Connecteurs de reconnaissance automatique des modules de batteries

2.3 Accessoires (option)

| Référence | Description |
|-------------|--|
| 9PXEBM360SP | Module de batteries externes |
| Modbus-MS | Carte Modbus et réseau |
| Relay-MS | Carte de relais |
| BPE20MBB1A | Bypass de maintenance externe pour 9PX8KSP et 9PX10KSP |
| BINTSYS | Système d'intégration de batteries |
| EBMCBL360 | Câble de 1,8 m. pour 9PXEBM360SP |

3. Installation pour 9PX 8K SP / 9PX 10K SP

3.1 Inspection de l'équipement

Si l'équipement a été endommagé pendant l'expédition, conservez les cartons d'expédition et le matériel d'emballage pour le transporteur ou le lieu de l'achat et faites une réclamation pour les dommages d'expédition. Si vous découvrez des dommages après acceptation, faites une réclamation pour les dommages dissimulés.

Pour présenter une réclamation à titre d'indemnisation des dommages d'expédition ou dissimulés :

1. Faites le constat avec le transporteur dans les 15 jours qui suivent la réception de l'équipement ;
2. Envoyez une copie de la réclamation dans les 15 jours qui suivent à votre représentant du service après-vente.



Vérifiez la date de recharge de batterie sur l'étiquette du carton d'expédition. Si la date a expiré et que les batteries n'ont jamais été rechargées, n'utilisez pas l'onduleur. Contactez votre représentant du service après-vente.

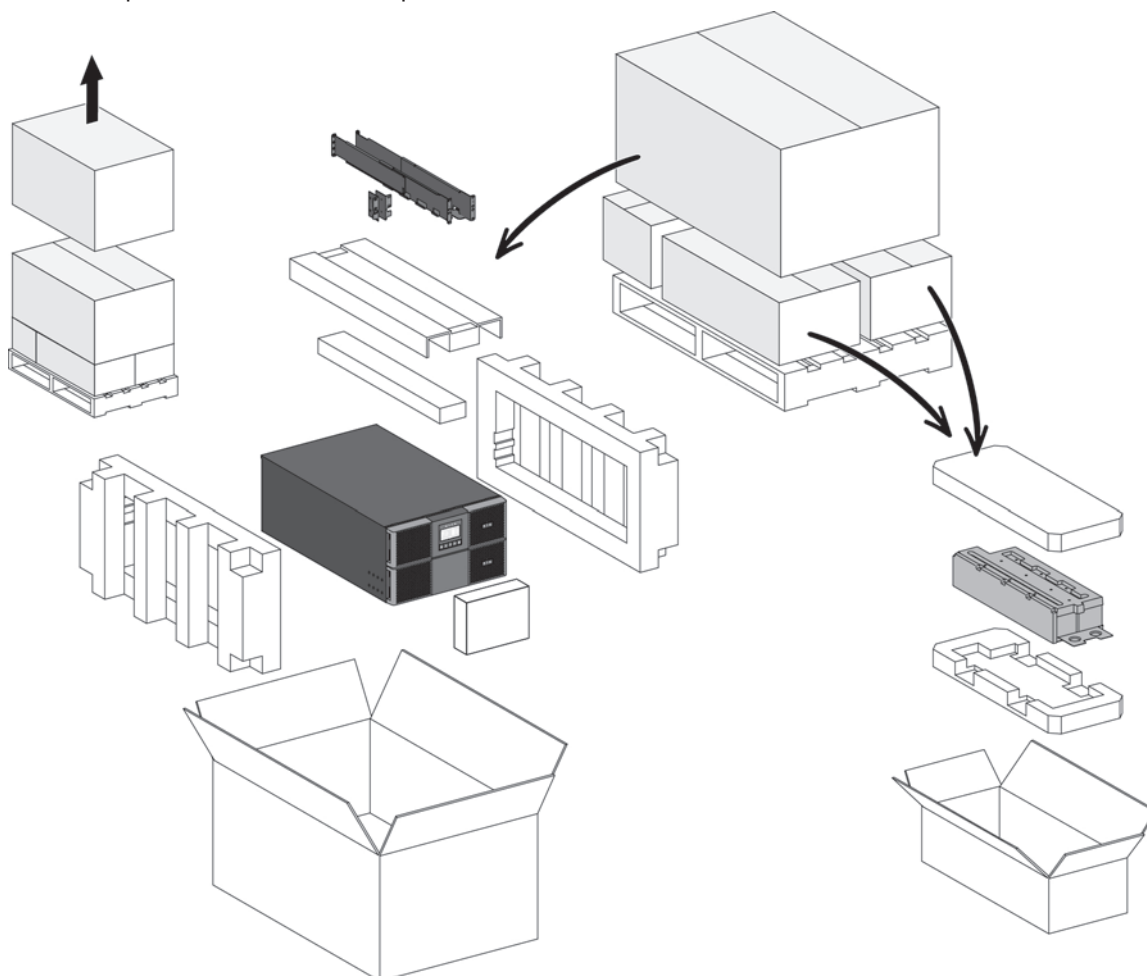
3.2 Déballage de l'équipement



- Déballer l'équipement dans un environnement à basse température risque de produire des phénomènes de condensation interne et externe. Ne l'installez pas avant d'être certain qu'il soit absolument sec (risque d'électrochoc).
- Le module est lourd "Poids et dimensions", page 43. Suivez les précautions spécifiques décrites à la page 4 et sur le carton.

Déballer l'appareil et jeter tous les matériaux d'emballage et le carton d'expédition.

Nota : Ne pas soulever l'onduleur par la face avant.



Déballage de l'onduleur.

Jetez ou réutilisez l'emballage d'une façon responsable, ou conservez-le pour des utilisations ultérieures. Mettez le module dans une zone protégée, convenablement aérée et exempte d'humidité, de gaz inflammable et de corrosion.

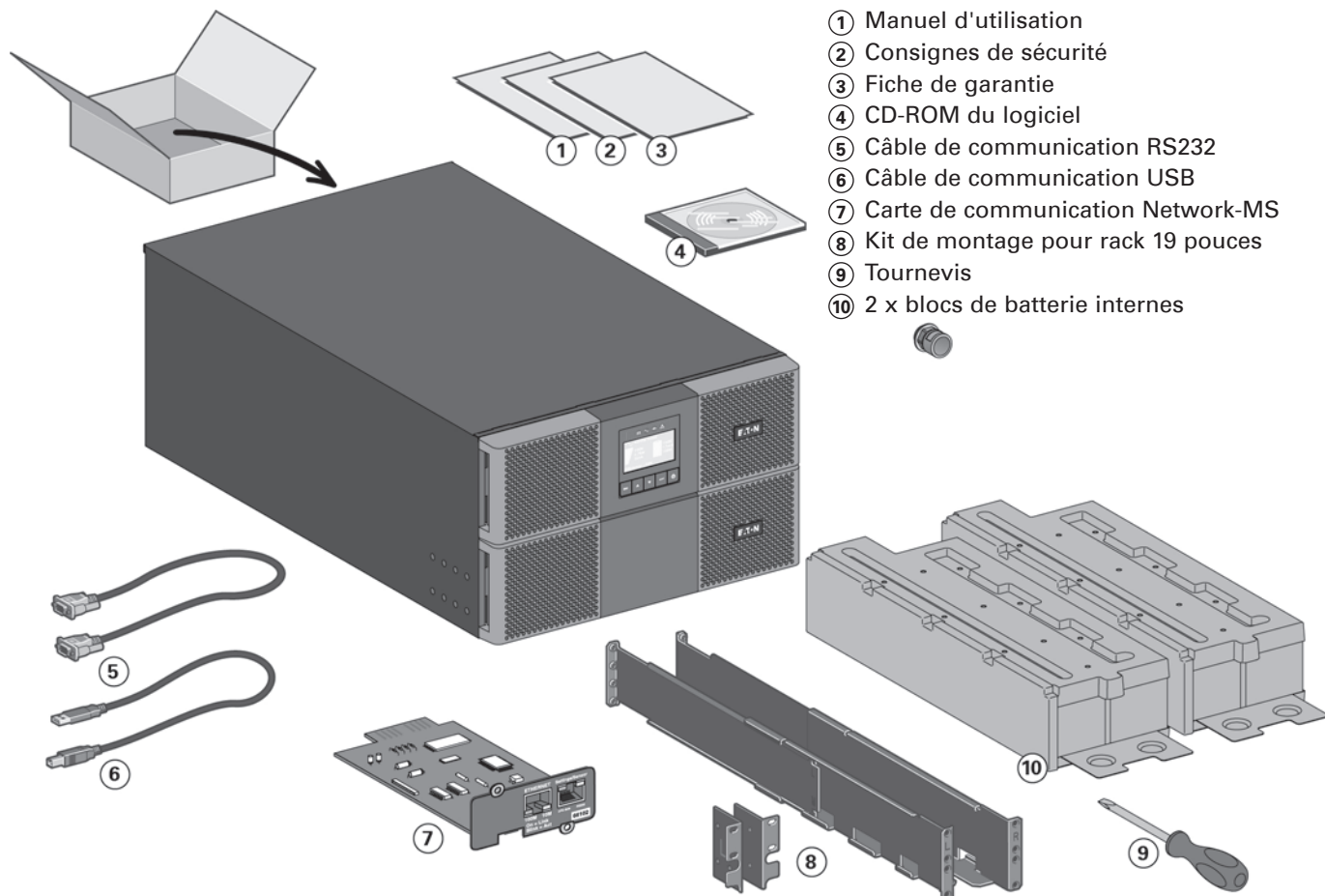
Les emballages doivent être éliminés conformément aux réglementations en vigueur concernant les déchets. Ils portent des symboles de recyclage pour faciliter le tri.



3. Installation pour 9PX 8K SP / 9PX 10K SP

3.3 Vérification du kit d'accessoires

- Vérifiez que les articles complémentaires suivants sont fournis avec l'onduleur :



- ① Manuel d'utilisation
- ② Consignes de sécurité
- ③ Fiche de garantie
- ④ CD-ROM du logiciel
- ⑤ Câble de communication RS232
- ⑥ Câble de communication USB
- ⑦ Carte de communication Network-MS
- ⑧ Kit de montage pour rack 19 pouces
- ⑨ Tournevis
- ⑩ 2 x blocs de batterie internes



3. Installation pour 9PX 8K SP / 9PX 10K SP

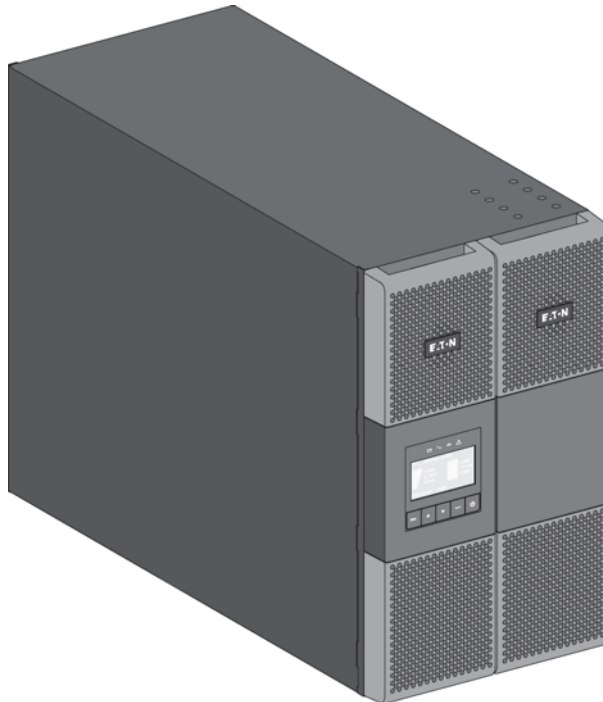
3.4 Position tour



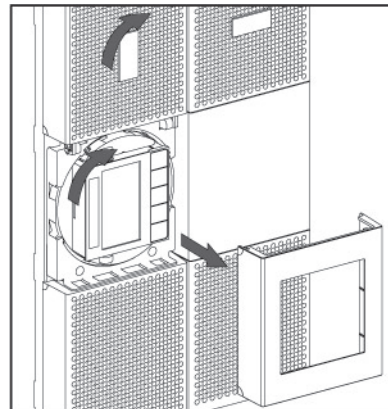
Si vous avez commandé d'autres accessoires pour onduleur, reportez-vous à leur manuel pour vérifier l'installation de l'onduleur en position tour.

Pour installer le module :

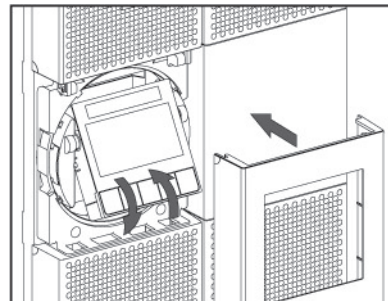
1. Mettez l'onduleur sur une surface plate et stable dans son emplacement final.
2. Veillez à toujours conserver un espace libre de 150 mm à l'arrière de l'onduleur.
3. Si vous installez des modules supplémentaires, mettez-les à côté de l'onduleur dans leur emplacement final.
4. Installez les supports de montage pour fixer l'EBM au module ASI (si l'EBM est présent).



- Orientation de l'écran LCD et du logo.



- Réglage de l'angle de vision de l'écran LCD.

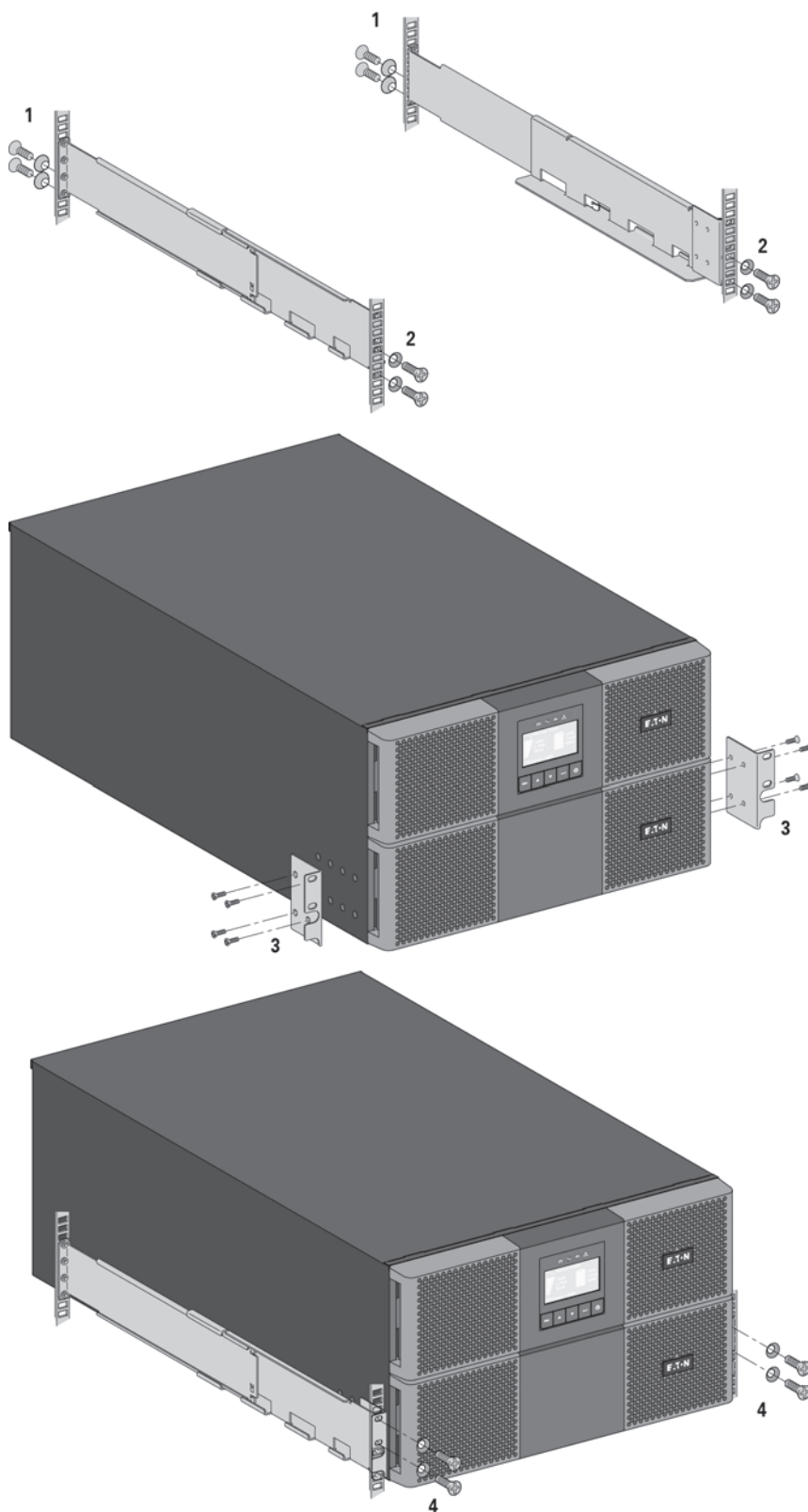


3. Installation pour 9PX 8K SP / 9PX 10K SP

3.5 Position rack

- Montage en rack de l'onduleur et des accessoires.

Suivre les étapes 1 à 4 pour le montage du module sur ses rails.



Les rails et le nécessaire de montage sont fournis par EATON.

Si vous avez commandé d'autres accessoires pour onduleur, reportez-vous à leur manuel pour vérifier l'installation de l'onduleur en position rack.



3. Installation pour 9PX 8K SP / 9PX 10K SP

3.6 Raccordement de la batterie interne

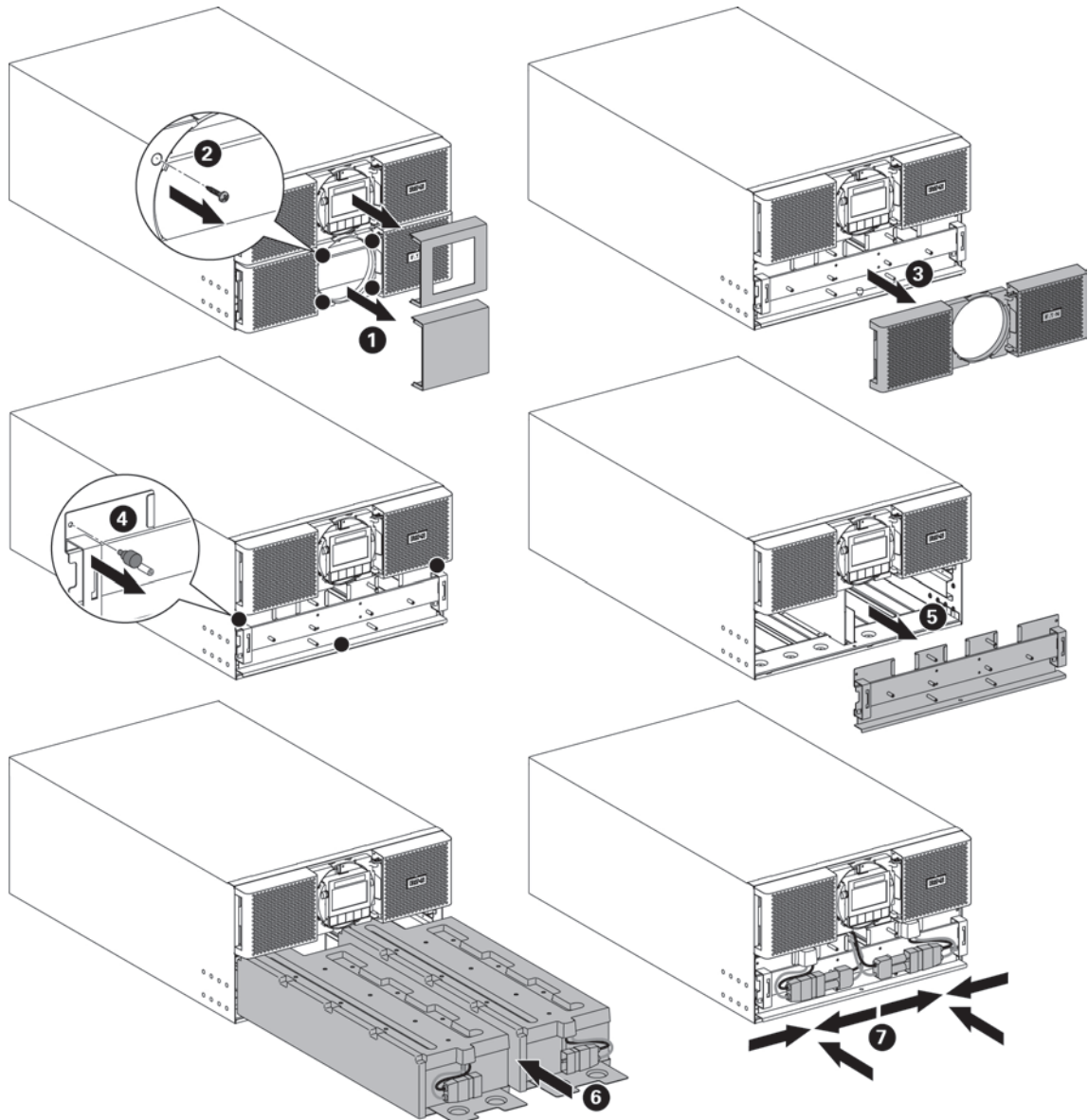


N'effectuez aucune modification sur l'ASI sans autorisation ; vous risqueriez d'endommager votre équipement et de perdre le bénéfice de la garantie.

Ne branchez pas l'ASI au secteur tant que l'installation n'est pas terminée.

Cette étape nécessite deux réparateurs, l'ASI et la batterie interne sont lourdes.

| Description | Poids (lb/kg) |
|--|---------------|
| 9PX 8K SP / 9PX 10K SP sans batterie interne | 91 / 41 |
| 9PX 8K SP / 9PX 10K SP batterie interne | 67.3 / 30.5 |



être couplés à l'un des blocs batterie.

- Montez l'ASI sur le rack.
- Retirez le cache central de la face avant.
- Retirez les quatre vis pour ouvrir le côté gauche de la face avant.
- Retirez les trois vis pour libérer la protection métallique de la batterie.
- Remettez le bloc batterie en place, vissez la protection métallique, connectez la batterie et remettez la face avant, puis le cache central en place.



Un petit arc électrique peut survenir lors du branchement des batteries internes. C'est normal et sans danger pour le personnel. Branchez les câbles rapidement et fermement.

4. Installation pour EBM(s)

4.1 Inspection de l'équipement

Si l'équipement a été endommagé pendant l'expédition, conservez les cartons d'expédition et le matériel d'emballage pour le transporteur ou le lie de l'achat et faites une réclamation pour les dommages d'expédition. Si vous découvrez des dommages après acceptation, faites une réclamation pour les dommages dissimulés.

Pour présenter une réclamation à titre d'indemnisation des dommages d'expédition ou dissimulés :

1. Faites le constat avec le transporteur dans les 15 jours qui suivent la réception de l'équipement ;
2. Envoyez une copie de la réclamation dans les 15 jours qui suivent à votre représentant du service après-vente.



Vérifiez la date de recharge de batterie sur l'étiquette du carton d'expédition. Si la date a expiré et que les batteries n'ont jamais été rechargées, n'utilisez pas l'EBM. Contactez votre représentant du service après-vente.

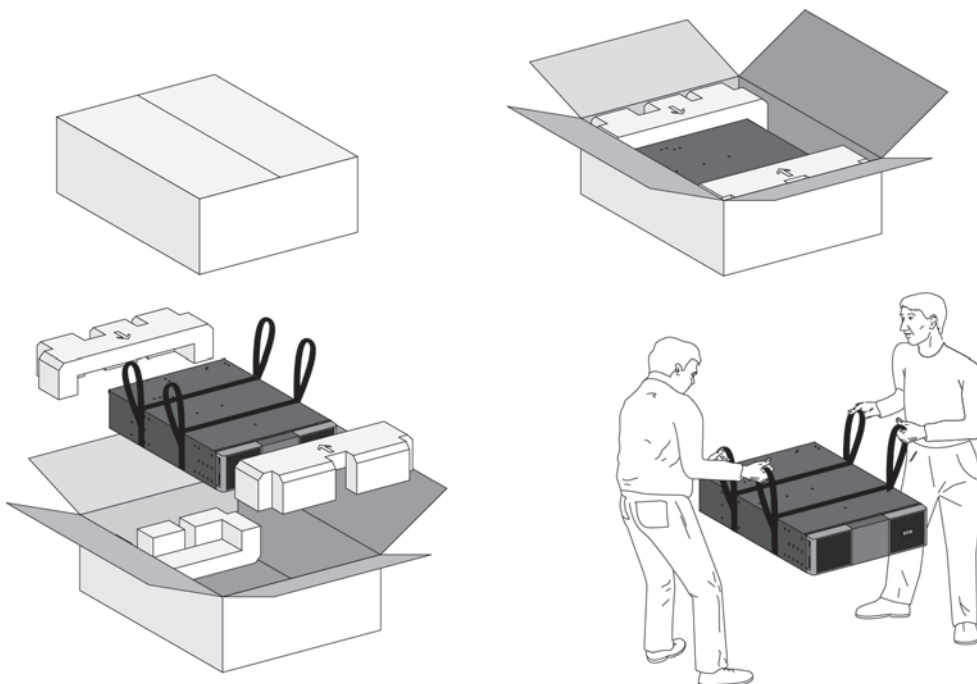
4.2 Déballage de l'équipement



- Déballer l'équipement dans un environnement à basse température risque de produire des phénomènes de condensation interne et externe. Ne l'installez pas avant d'être certain qu'il soit absolument sec (risque d'électrochoc).
- Le module est lourd "Poids et dimensions", page 43. Suivez les précautions spécifiques décrites à la page 4 et sur le carton.

Déballer l'appareil et jeter tous les matériaux d'emballage et le carton d'expédition.

Nota : Ne pas soulever l'EBM par la face avant.



Déballage de l'EBM.

Jetez ou réutilisez l'emballage d'une façon responsable, ou conservez-le pour des utilisations ultérieures. Mettez le module dans une zone protégée, convenablement aérée et exempte d'humidité, de gaz inflammable et de corrosion.

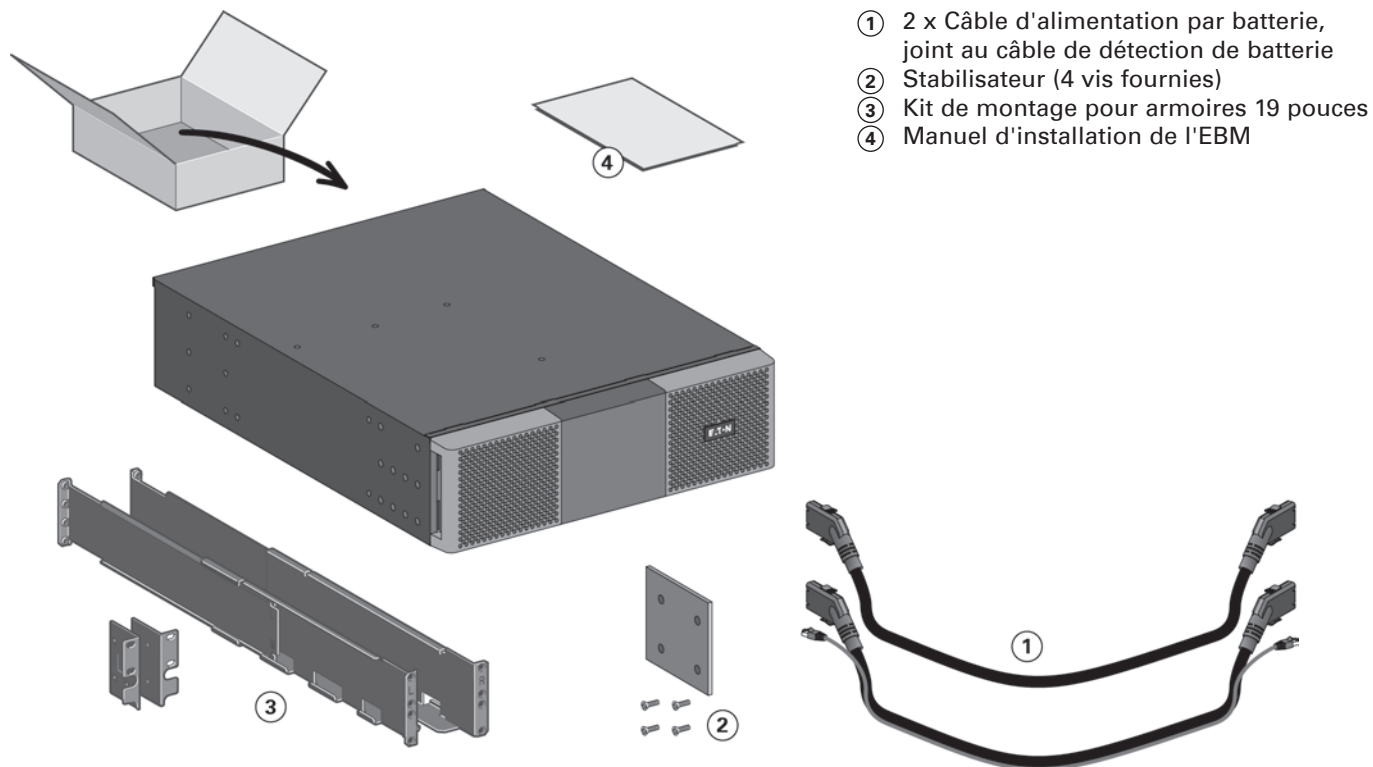


Les emballages doivent être éliminés conformément aux réglementations en vigueur concernant les déchets. Ils portent des symboles de recyclage pour faciliter le tri.

4. Installation des EBM(s)

4.3 Vérification du kit d'accessoires

- Si vous aviez commandé un module de batterie externe (optionnel), vérifiez que les articles complémentaires suivant sont compris :



4. Installation des EBM(s)

4.4 Préparation de l'installation



Si vous avez commandé d'autres accessoires pour onduleur, reportez-vous à leur manuel pour vérifier l'installation de l'onduleur en position rack.

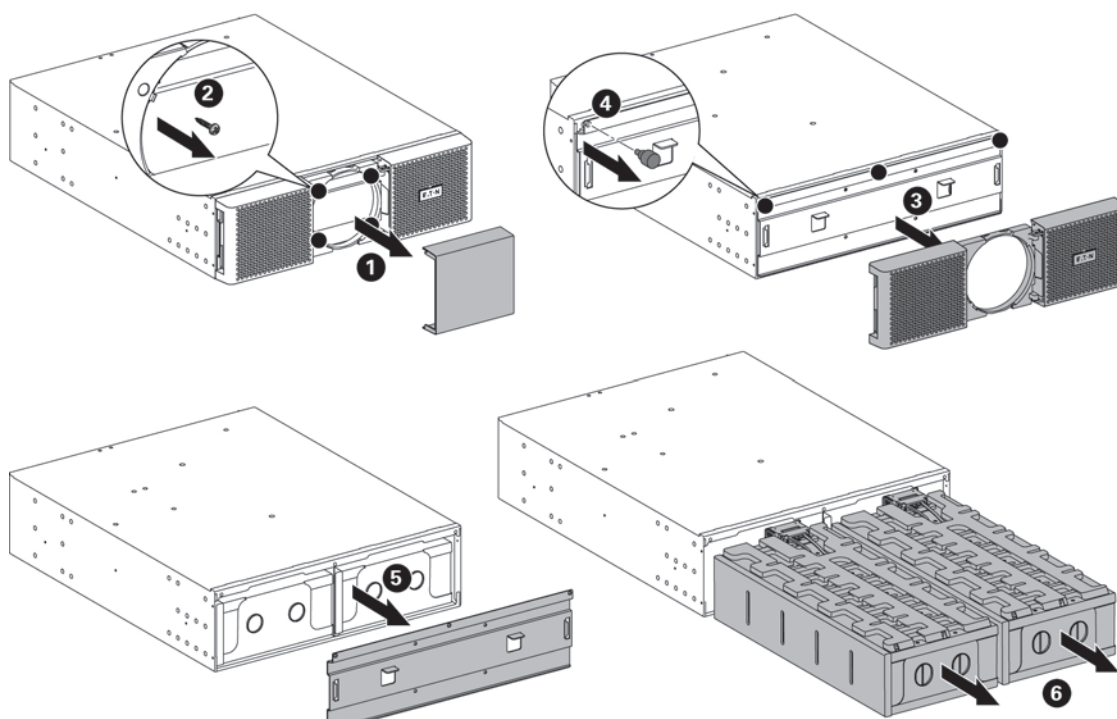
- Préparez l'EBM pour le montage en rack.



Cette étape nécessite deux réparateurs.

Le module de batteries externes est très lourd.

| Description | Poids (lb/kg) |
|-------------------------------------|---------------|
| 9PX EBM 360SP sans batterie interne | 28.7 / 13 |
| 9PX EBM 360SP batterie interne | 67.3 / 30.5 |



Pour faciliter son installation dans le rack, vous pouvez retirer les batteries, conformément aux instructions ci-dessous.

- Retirez le cache central de la face avant.
- Retirez les quatre vis pour ouvrir le côté gauche de la face avant.
- Retirez les trois vis pour retirer le capot métallique de protection de la batterie.
- Tirez sur la poignée en plastique à gauche et à droite des batteries puis faites-les glisser avec précaution sur une surface plate et stable. Soutenez les batteries avec les deux mains. Laissez-les de côté pour les réinstaller lorsque l'EBM sera installé dans le rack.
- Installation de l'EBM dans le rack "Position rack", page 13.
- Remettez les batteries en place. Vissez la protection métallique et la face avant puis remettez le cache central en place.

4. Installation des EBM(s)

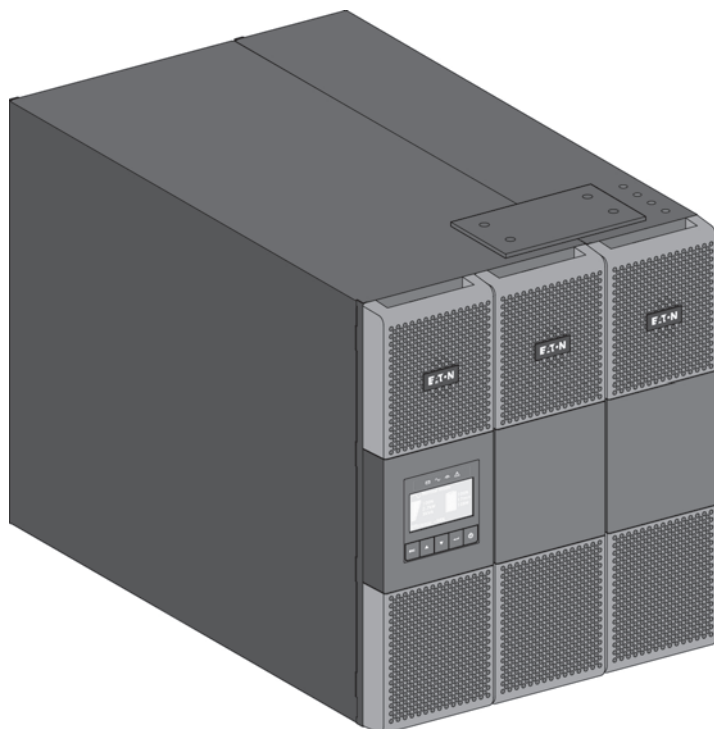
4.5 Position tour



Si vous avez commandé d'autres accessoires pour onduleur, reportez-vous à leur manuel pour vérifier l'installation de l'onduleur en position tour.

Pour installer le module :

1. Mettez l'onduleur sur une surface plate et stable dans son emplacement final.
2. Veillez à toujours conserver un espace libre de 150 mm à l'arrière de l'onduleur.
3. Si vous installez des modules supplémentaires, mettez-les à côté de l'onduleur dans leur emplacement final.
4. Installez les supports de montage pour fixer l'EBM au module ASI.

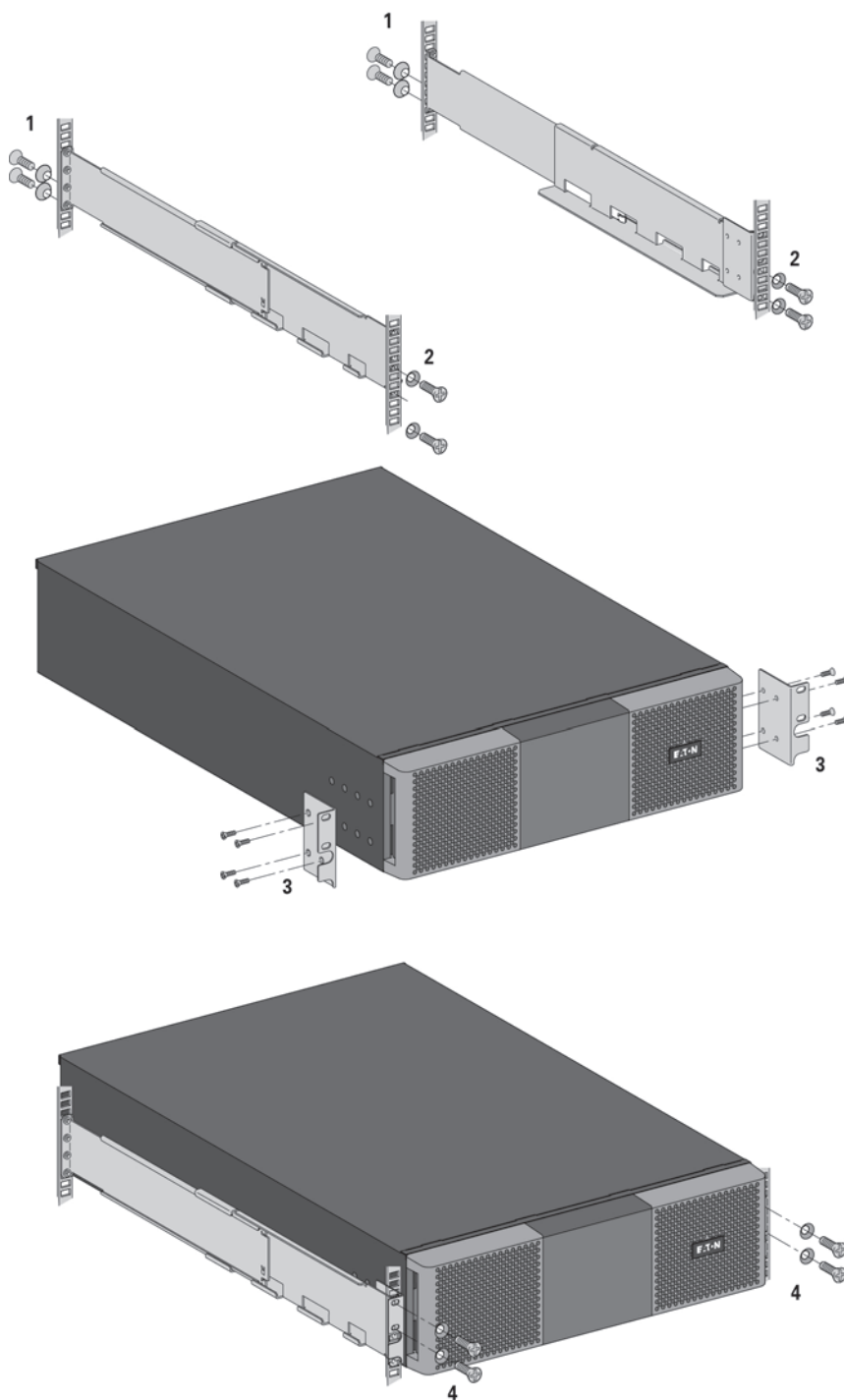


4. Installation des EBM(s)

4.6 Position rack

- Montage en rack de l'onduleur et des accessoires.

Suivre les étapes 1 à 4 pour le montage du module sur ses rails.



Les rails et le nécessaire de montage sont fournis par EATON.

Si vous avez commandé d'autres accessoires pour onduleur, reportez-vous à leur manuel pour vérifier l'installation de l'onduleur en position rack.



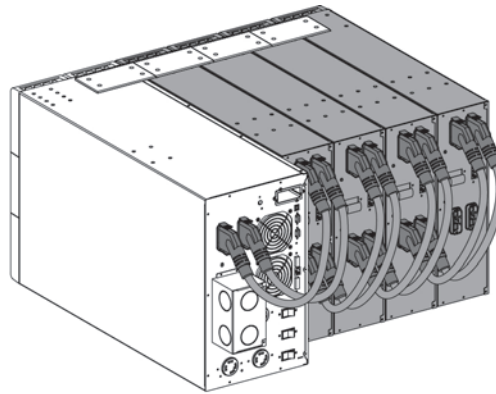
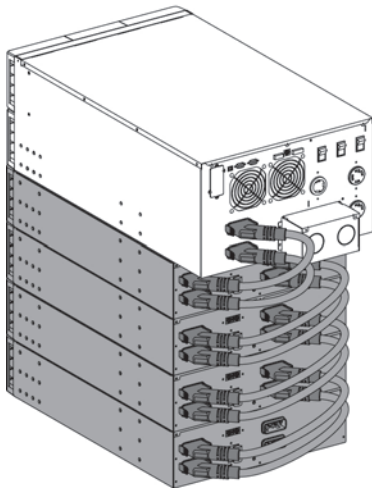
4. Installation des EBM(s)

4.7 Connexion du ou des EBM(s)



Un petit arc électrique peut survenir lors du branchement des EBM(s). Ceci est normal et ne nuira pas aux personnels. Insérez le câble EBM dans le connecteur batterie de l'onduleur rapidement et fermement.

1. Enfichez les câbles EBM dans le ou les connecteurs batterie. Jusqu'à 4 EBM(s) peuvent être connectés à l'onduleur.
2. Vérifiez que les connexions EBM sont serrées et que le rayon de courbure est adéquat pour chaque câble.
3. Branchez le ou les câbles de détection de batterie au connecteur de l'onduleur et du ou des EBM.
4. Vérifiez que le disjoncteur de la batterie est sur la position "I" (On).



4.8 Connexion d'autres accessoires

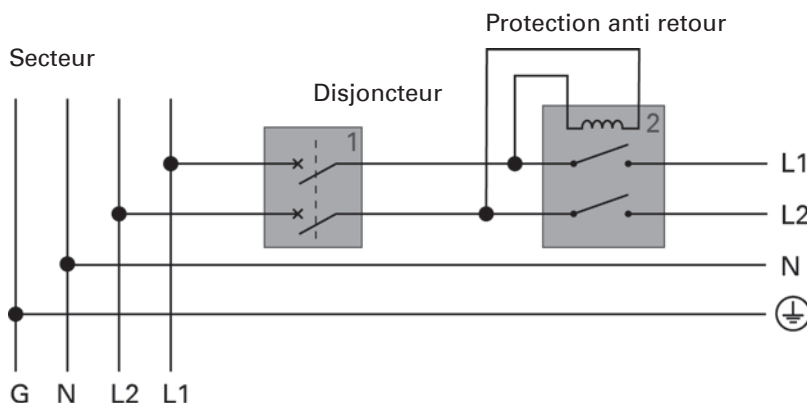


Si vous avez commandé d'autres accessoires pour onduleur, reportez-vous à leur manuel pour vérifier le branchement à l'onduleur.

5. Connexion des câbles de puissance

5.1 Conditions d'installation

Protection en amont et sections de câbles recommandés



Nota : évitez tout courant neutre via le disjoncteur ou la réalimentation.

1. Protection amont recommandée

| | Puissance nominale de l'onduleur | Disjoncteur de protection amont |
|------------|----------------------------------|---------------------------------|
| 9PX 8K SP | 8000VA | Courbe D - 60A |
| 9PX 10K SP | 10000VA | Courbe D - 60A |

2. Protection anti retour recommandée

L'un des contacteurs C.A. suivants utilisé comme dispositif de protection anti retour doit être externe à l'entrée principale de l'onduleur. Les contacteurs Eaton XCE050D suivants sont recommandés.

Veillez à utiliser le contacteur approprié en fonction de la tension sur site.

| Contacteur série EATON XTCE050D | | | | | | | | | | |
|---------------------------------|-------------|-------|----------|-----|-------|-----|----------|-----|-------|-----|
| Tension nominale de la bobine | Référence | Fréq. | Amorçage | | Chute | | Amorçage | | Chute | |
| | | | Min | Max | Min | Max | Min | Max | Min | Max |
| 208 | XTCE050D00D | 60 | 0,8 | 1,1 | 0,3 | 0,6 | 166 | 229 | 62 | 125 |
| 220 | XTCE050D00G | 60 | 0,8 | 1,1 | 0,3 | 0,6 | 176 | 242 | 66 | 132 |
| 240 | XTCE050D00B | 60 | 0,8 | 1,1 | 0,3 | 0,6 | 192 | 264 | 72 | 144 |

| Fabricant | Type | Intensité |
|--------------|---------|--------------------------------------|
| Moeller GMBH | DILM-50 | Usage général - 80A, 600VAC, 50/60Hz |

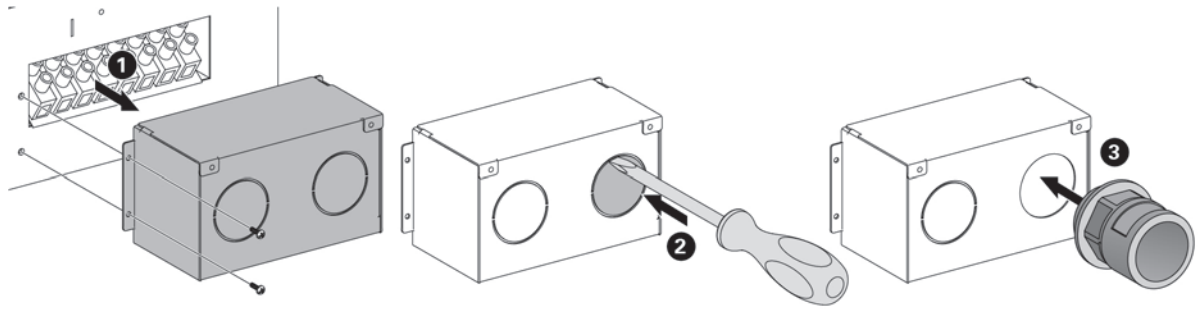
3. Taille de fil recommandée

| Borne | Fonction du fil | Tailles de fil proposées | Taille minimum de fil d'entrée | Couple de serrage |
|-------|-----------------|----------------------------------|---|--------------------|
| L1 | Phase | 8-4 AWG (10-25 mm ²) | 6 AWG (75°C) Pour 9PX 8K SP 4 AWG (75°C) Pour 9PX 10K SP | 18 lb in / 2.03 Nm |
| L2 | Phase | | | |
| N | Neutre | | | |
| ⊕ | Terre | | | |

Fil de cuivre, plein ou tressé.

5. Connexion des câbles de puissance

5.2 Accès au bornier



- Retirez la protection des borniers (deux vis).
- Enfoncez les alvéoles et insérez les câbles/gaines.



Fort courant de fuite :

Il est impératif de connecter le câble de terre avant les câbles de puissance.

5.3 Connexion d'entrée/sortie câblée



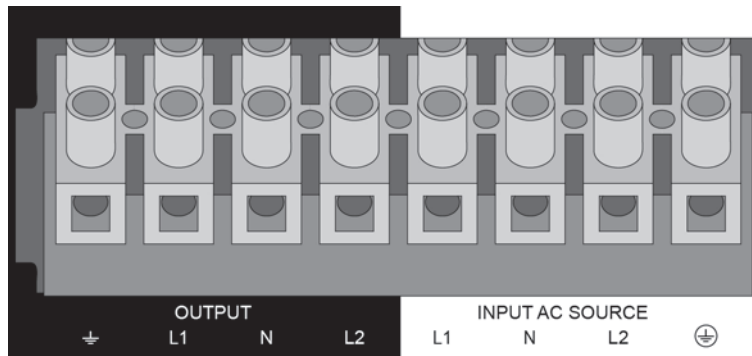
Ces raccordements doivent être réalisés par du personnel qualifié.

Avant d'effectuer les raccordements, vérifiez que le disjoncteur amont (source Input AC) est en position ouverte "O" (Off).

Toujours connecter le fil de terre en premier.



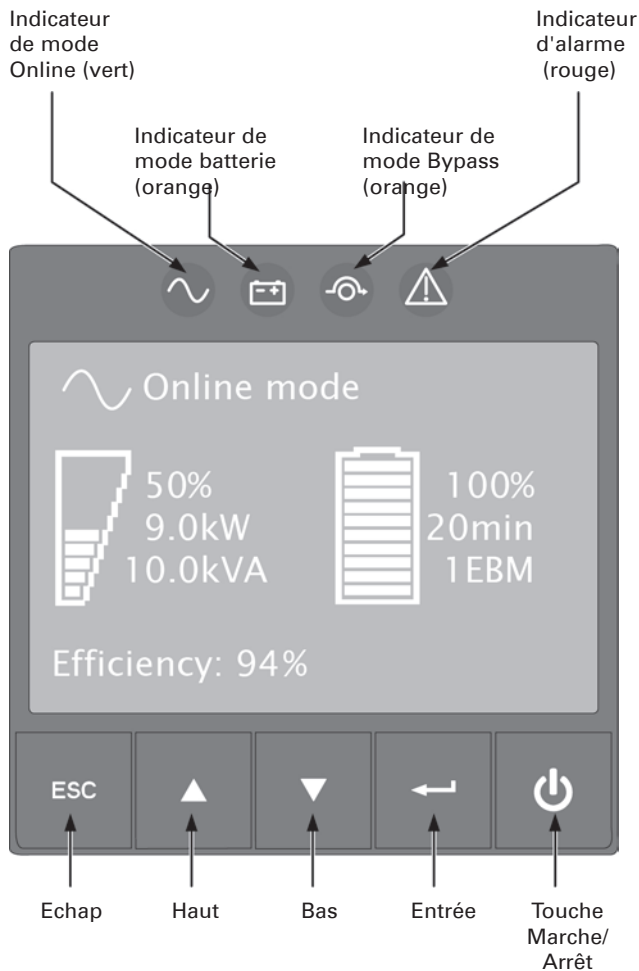
Si vous avez commandé un Bypass de maintenance externe par ex., BPE20MBB1A, consultez le manuel d'utilisation spécifique pour vérifier la connexion aux bornes de l'ASI avec cet accessoire.







1. Faire passer le câble d'entrée "Input AC" à travers le presse étoupe.
2. Raccorder les 4 conducteurs au bornier d'entrée "Input AC source".
3. Faire passer le câble de sortie à travers le presse étoupe
4. Raccorder les 4 conducteurs au bornier "Output".
5. Remettez et revissez le couvercle du bornier avec les vis.
6. Resserrez les presses étoupes.

6.1 Panneau de commande et d'affichage

L'ASI dispose d'un écran LCD graphique à cinq touches. Celui-ci fournit des informations utiles sur l'ASI lui-même, l'état de charge, les événements, les mesures et les paramètres.



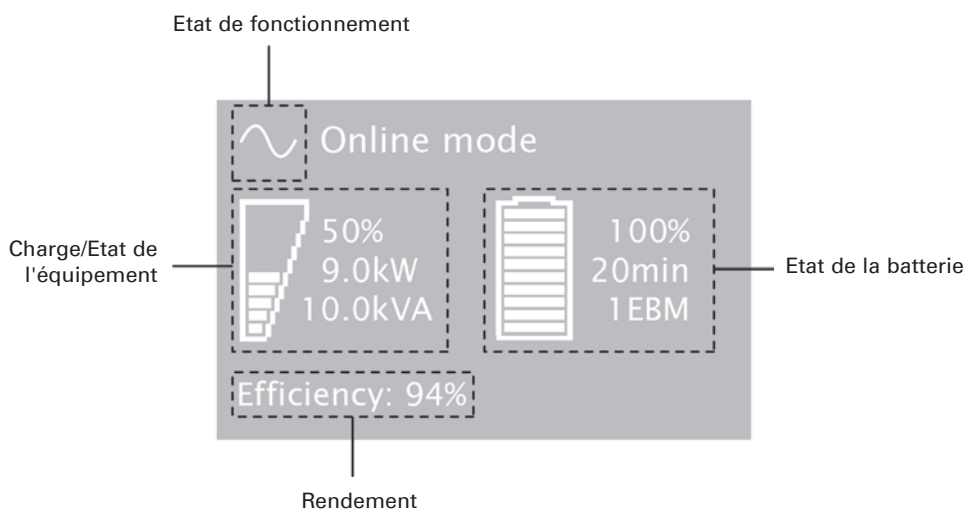
Le tableau ci-après montre l'état et la description des indicateurs :

| Indicateur | Etat | Description |
|---|--------|--|
|  Vert | Allumé | L'ASI fonctionne normalement en mode Online ou haut rendement. |
|  Orange | Allumé | L'ASI est en mode batterie. |
|  Orange | Allumé | L'ASI est en mode Bypass. |
|  Rouge | Allumé | L'ASI a une alarme ou un défaut actif. Voir la section "Dépannage", page 40 pour plus d'informations |

6. IHM et réglages








6.2 Description de l'écran LCD

Après 5 minutes d'inactivité, l'écran LCD affiche l'économiseur d'écran.
L'écran LCD rétroéclairé s'éteint automatiquement au bout de 10 minutes d'inactivité.
Appuyer sur n'importe quelle touche pour rallumer l'écran.



Le tableau suivant décrit les informations d'état fournies par l'ASI.

Nota : Si un autre indicateur apparaît, voir la section "Dépannage", page 40 pour plus d'informations.

| Etat de fonctionnement | Cause | Description |
|--|---|--|
|  Mode Veille | L'ASI est à l'arrêt. | L'équipement est hors tension tant que l'interrupteur  n'a pas été actionné. |
|  Mode Online | L'ASI fonctionne normalement. | L'ASI est en marche et protège l'équipement. |
|  1 bip émis toutes les 10 secondes Fin d'autonomie de la batterie | Une panne secteur s'est produite et l'ASI est en mode Batterie. | L'ASI alimente l'équipement avec l'alimentation de la batterie. Préparez votre équipement pour l'arrêt. |
|  1 bip émis toutes les 3 secondes | L'ASI fonctionne sur batterie et celle-ci est faible. | L'avertissement est approximatif et le temps réel avant l'arrêt peut varier de façon importante. Selon la charge de l'ASI et le nombre de modules de batterie en option, l'avertissement "Batterie faible" peut être émis avant que la batterie n'atteigne une capacité de 20 %. |
|  Mode haut rendement | L'ASI fonctionne en mode haut rendement. | L'ASI est en marche et protège l'équipement. |
|  Mode Bypass | Une surcharge ou une défaillance s'est produite, ou une commande a été reçue. L'ASI passe alors en mode Bypass. | Le matériel est sous tension, mais pas protégé par l'ASI. |

6. IHM et réglages

6.3 Fonctions d'affichage

Appuyer sur la touche Entrée (↵) pour activer les options de menu. Utiliser les deux touches du milieu (▲ et ▼) pour parcourir la structure des menus. Appuyer sur Entrée (↵) pour sélectionner une option. Appuyer sur la touche ESC pour annuler ou revenir au menu précédent.


| Menu principal | Sous-menu | Affichage d'informations ou fonction du menu |
|----------------------|---|---|
| Mesures | | [Total Load] W VA A PF / [Load phase 1 (N-L1)] W VA A PF / [Load phase 2 (N-L2)] W VA A PF / [Input/Bypass] V- L1 V- L2 Hz / [Total Output (L1-L2)] V Hz (N-L1)V (N-L2)V / [Efficiency] % / [Battery] % min V1 V2 / [DC bus] V / [Average power usage] Wh / [Cumulat. power usage] kWh since date |
| Contrôle | Passer en mode Bypass/ Passer en mode Normal | Transfère l'ASI en mode Bypass / Transfère l'ASI en mode Ligne |
| | Tester la batterie | Démarre un test manuel de la batterie |
| | Acquittement défaut | Efface l'alerte active |
| | Retour config usine | Rétablit les valeurs initiales de tous les paramètres |
| | Reset conso. moyenne | Remet à zéro les valeurs de consommation mesurées |
| | Reset conso. cumulée | Remet à zéro les valeurs de consommation cumulées |
| | Test contacts secs | Teste les relais de sortie à contacts secs |
| Réglages | Réglages locaux | Définit les paramètres généraux du produit |
| | Régl. entrée/sortie | Définit les paramètres de sortie |
| | Réglages On/Off | Définit les conditions de marche/arrêt |
| | Réglages batterie | Définit les paramètres de la batterie |
| Historique événement | Filtre événements | Sélectionne les pannes, les alarmes et/ou les événements à afficher |
| | Liste des événements | Affiche les événements mémorisés |
| | Effacer liste | Efface les événements |
| Historique défauts | Liste des défauts | Affiche les défauts mémorisés |
| | Effacer liste | Efface les défauts |
| Identification | | [Type/modèle] / [Produit/Num de série] / [Logiciel embarqué] / [Adresse IPv4], [Adresse IPv6] / [Adresse MAC] / [Accessoires détectés] |
| Enregistrer produit | | Lien vers le site d'enregistrement d'Eaton |

6.4 Paramètres utilisateur

Le tableau suivant affiche les options que l'utilisateur peut modifier.

| | Sous-menu | Paramètres disponibles | Paramètres par défaut |
|---------------------|---------------------|---|--|
| Réglages locaux | Langues | [English] [Français] [Español] [Português] Menus, état, avertissements et alarmes, les défauts de l'ASI, le journal des événements et les paramètres sont dans toutes les langues. | [English] Sélectionnable par l'utilisateur lors de la première mise en marche de l'ASI. |
| | Format date/heure | Format: [Internationale] [US] | [US] |
| | LCD | Permet d'adapter la luminosité et le contraste de l'écran LCD à l'éclairage de la pièce. | |
| | Alarme sonore | [Activé] [Désactivé en batterie] [Désactivé] Permet d'activer ou de désactiver le signal sonore lorsqu'une alarme se produit. | [Activé] |
| Régl. entrée/sortie | Tension de sortie | [100V] [110V] [115V] [120V] [127V] Peut être modifié uniquement en mode veille. | [208V] |
| | Fréquence de sortie | Convertisseur de fréquence : [Activé] [Désactivé] Fréquence définissable en mode convertisseur de fréquence. | [Désactivé] |
| | Mode sortie | [Industriel] [Réseau informatique] Définir le fonctionnement de l'onduleur lors du basculement en mode Bypass. | [Réseau informatique] |
| | Hystérésis V entrée | Définit une hystérèse de tension d'entrée de 1 à 10 V. | [10V] |
| | Mode haut rendement | [Activé] [Désactivé] Alimentation de sortie à partir du mode Bypass pour le mode haut rendement. | [Désactivé] |
| | Alarme surcharge | [10%] ... [102%] % de charge lors d'une alarme de surcharge. | [102%] |

6. IHM et réglages

| | Sous-menu | Paramètres disponibles | Paramètres par défaut |
|------------------------|----------------------------|--|---|
| Réglages ON/OFF | Démarrer sans réseau | [Activé] [Désactivé] Permet au produit de démarrer sur batterie. | [Activé] |
| | Redémarrage forcé | [Activé] [Désactivé] Si l'alimentation secteur est restaurée pendant une séquence d'arrêt. Si l'option Activé est sélectionnée, la séquence d'arrêt va jusqu'à son terme puis l'onduleur redémarre au bout de 10 s. Si c'est l'option Désactivé qui est sélectionnée, la séquence d'arrêt ne va pas jusqu'à son terme et le redémarrage est immédiat. | [Activé] |
| | Redémarrage auto | [Activé] [Désactivé] Permet au produit de redémarrer automatiquement lorsque le secteur est rétabli après une décharge complète de la batterie. | [Activé] |
| | Démarrage auto | [Activé] [Désactivé] L'onduleur démarre automatiquement dès que l'alimentation secteur est disponible (il n'est pas nécessaire d'appuyer sur le bouton ). | [Désactivé] |
| | Economie d'énergie | [Désactivé] [100W] ... [1000W] Si l'option Activé est sélectionnée, l'onduleur s'arrête au bout de 5 mn dès lors que la charge est inférieure au seuil. | [Désactivé] |
| | Mode veille | [Activé] [Désactivé] Si l'option est réglée sur Désactivé, l'écran LCD et l'interface de communication s'éteindront immédiatement après l'arrêt de l'ASI. | [Activé] |
| | Commande à distance | [Activé] [Désactivé] Si cette option est activée, les commandes logicielles d'arrêt ou de redémarrage sont autorisées. | [Activé] |
| | Bypass en veille | [Activé] [Désactivé] Spécifie si, en mode veille, la sortie est alimentée par Bypass. | [Désactivé] |
| | Marche/Arrêt distant (ROO) | Si l'option Bypass pour MBP est sélectionnée, l'onduleur sera forcé au bypass statique lorsqu'il sera signalé par le MBP pour un transfert sûr. Si l'option Activé est sélectionnée, l'onduleur peut être arrêté ou démarré par la commande Marche/Arrêt distant. | [Bypass pour MBP] |
| | Réglages batterie | Test batterie auto | En mode charge constante : [Jamais] [Quotidien] [Hebdomadaire] [Mensuel] En mode cycle ABM : [Jamais] [A chaque cycle ABM] |
| Notif. batt. faible | | [0%] ... [100%] L'alarme se déclenche lorsque le pourcentage défini de capacité de la batterie est atteint. | [20%] |
| % Batt. redémarrage | | [0%] ... [100%] Si cette option est réglée, le redémarrage automatique se produit lorsque le pourcentage de charge de batterie sélectionné est atteint. | [0%] |
| Mode charge batterie | | [Cycle ABM] [Charge constante] | [Cycle ABM] |
| Batterie externe | | [Auto détection] [Réglage EBM manuel] [Réglage Ah manuel] [Pas de batterie] | [Auto détection] Avec des EBM standard, l'onduleur détecte automatiquement le nombre d'EBM connectés. |
| Protect. déch. prof. | | [Oui] [Non] Si cette option est réglée sur Oui, l'ASI protège automatiquement la batterie d'une décharge profonde en adaptant le seuil de tension à la fin du temps de secours. La garantie est annulée si la valeur est Non. | [Oui] |

7.1 Démarrage et arrêt de l'onduleur



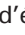


Si vous avez commandé un Bypass de maintenance externe par ex., BPE20MBB1A, consultez les manuels d'utilisation spécifiques pour vérifier la séquence de démarrage de l'ASI avec cet accessoire.


Démarrer l'onduleur




Vérifiez que les valeurs nominales totales de l'équipement ne dépassent pas la capacité de l'onduleur de prévenir une alarme de surcharge.

Pour démarrer l'onduleur :

1. Vérifiez que les batteries internes sont connectées. Voir "Raccordement de la batterie interne", page 14.
2. Si des EBM optionnels sont installés, vérifiez qu'ils sont connectés à l'onduleur. Voir "Connexion du ou des EBM(s)", page 20.
3. Vérifiez que les bornes de l'onduleur sont reliées à l'alimentation secteur.
4. Placez le disjoncteur amont (non fourni) sur la position "I" (marche) pour mettre sous tension. Le panneau avant de l'onduleur s'allume et affiche le logo EATON.
5. Vérifiez que l'écran d'état de l'onduleur indique , puis appuyez sur  pour démarrer.
6. Appuyez sur le bouton  du panneau avant de l'onduleur pendant au moins 3 secondes. L'afficheur de l'onduleur affiche le nouvel état : "Démarrage onduleur...".
7. Vérifiez l'écran sur la face avant de l'onduleur pour voir les alarmes déclenchées ou les avertissements. Résolez les problèmes indiqués par toutes les alarmes actives avant de continuer. Reportez-vous à la section "Dépannage", page 40.

Si l'indicateur  est allumé, ne continuez pas tant qu'il reste des alarmes actives. Vérifiez l'état de l'onduleur sur le panneau avant pour voir les alarmes actives. Résolez les problèmes signalés par les alarmes et redémarrez si nécessaire.

8. Vérifiez que le voyant  est allumé en permanence. Il indique alors que l'onduleur fonctionne normalement et que toutes les charges sont sous tension et protégées. L'onduleur doit être en mode Online.





Les batteries internes se chargent à 90 % en moins de 3 heures. Eaton recommande cependant que les batteries soient mises en charge pendant 48 heures après l'installation ou un entreposage prolongé.

Démarrage de l'ASI sur batterie




Avant d'utiliser cette fonction, l'onduleur doit avoir été mis sous tension par le secteur avec la sortie activée au moins une fois. Le démarrage sur batterie peut être désactivé. Voir le paramètre "Démarrage sans réseau" dans les réglages utilisateur, à la page 26.

Pour démarrer l'onduleur sur batterie :

1. Appuyez sur le bouton  sur la face avant de l'onduleur jusqu'à ce que l'afficheur s'allume et montre un état de "Démarrage de l'ASI".
L'onduleur passe du mode Veille au mode batterie. Le voyant  s'allume de façon continue. L'onduleur alimente votre équipement.
2. Vérifiez l'afficheur de l'onduleur pour voir les alarmes déclenchées ou les notifications. Résolez toutes les alarmes actives avant de continuer. Voir le "Dépannage", page 40.
Vérifiez l'état de l'onduleur sur la face avant pour voir les alarmes déclenchées. Corrigez les alarmes et redémarrez au besoin.

Arrêt de l'onduleur

Pour arrêter l'onduleur :

1. Appuyez sur le bouton  sur la face avant de l'onduleur. L'onduleur passe en mode veille.
2. Placez le disjoncteur amont (non fourni) sur la position "O" (arrêt) pour mettre hors tension.

7. Fonctionnement

7.2 Modes opérationnels


Les voyants en face avant indiquent l'état de l'onduleur Eaton 9PX, voir page 25.

Mode Online

En mode Online, le voyant  est fixe et l'onduleur est alimenté par le secteur.

Une fois le courant rétabli, l'onduleur passe en mode normal pendant que la batterie se recharge. En outre, il stabilise l'alimentation de votre équipement. Les modes haut rendement et économies d'énergie optionnels réduisent le dégagement de chaleur à proximité du rack. Reportez-vous aux réglages utilisateur, à la "Paramètres utilisateur", page 25.


Mode Batterie

Quand l'onduleur fonctionne pendant une panne secteur, une alarme sonore retentit toutes les cinq secondes et l'indicateur  s'allume de façon fixe. L'énergie fournie provient de la batterie.

Lorsque l'alimentation secteur est restaurée, l'onduleur bascule en mode Online, tandis que la batterie est remise en charge. Si la batterie s'affaiblit lorsque l'onduleur est en mode batterie, l'alarme retentit toutes les 3 secondes. L'avertissement est approximatif et le temps réel avant l'arrêt peut varier de façon importante.

Fermez toutes les applications des équipements connectés, car l'arrêt automatique de l'onduleur est imminent. Lorsque l'alimentation secteur est restaurée après l'arrêt de l'onduleur, celui-ci redémarre automatiquement.

Mode Bypass

En cas de surcharge de l'onduleur ou d'une panne interne, l'onduleur transfère votre équipement sur secteur. Le mode batterie n'est pas disponible et votre équipement n'est pas protégé. L'indicateur  s'allume.

Selon la surcharge, l'onduleur reste en mode Bypass au moins 5 secondes. Il reste dans ce mode si trois basculements sur le mode Bypass ont lieu sur une période de 20 minutes.

L'onduleur passe en mode Bypass si :

- l'utilisateur active le mode Bypass par la face avant.
- l'onduleur détecte une panne interne
- l'onduleur est en état de surchauffe
- l'onduleur présente une condition de surcharge recensée à la section "Sortie électrique", page 44.



En cas de surcharge, l'onduleur s'arrête après un délai spécifié à la section "Sortie électrique", page 44. L'onduleur reste allumé pour générer l'alarme du défaut.

Mode haut rendement

En mode haut rendement, l'onduleur fonctionne par défaut en mode Bypass et passe en mode Online (ou batterie) en moins de 10 ms en cas de panne de secteur. Les passages en mode haut rendement seront actifs après 5 minutes de surveillance de tension du mode Bypass : si la qualité du mode Bypass est hors tolérance, l'ASI reste en mode Online.



Eaton préconise d'utiliser le mode haut rendement uniquement pour protéger le matériel informatique.

Pour passer en mode haut rendement :

1. Basculement de l'ASI en mode Bypass : appuyez sur n'importe quel bouton pour activer les options du menu, sélectionnez Contrôle, puis Passer en Bypass.
2. Appuyez ensuite sur le bouton ESC et sélectionnez Paramètres, Régl. entrée/sortie, puis Mode haut rendement.
3. Sélectionnez Activé puis appuyez sur Entrée pour valider.
4. L'ASI passe en mode haut rendement en 5 minutes.

Mode veille

Lorsque l'onduleur est mis hors tension et qu'il reste connecté au secteur, il est en mode veille. Si le mode Bypass en veille est activé, la sortie est alimentée, mais pas protégée.

La batterie se remet en charge selon les besoins, et les ports de communication sont alimentés.

7.3 Transfert de l'onduleur entre les différents modes

Du mode Online (ou batterie) vers le mode Bypass. Appuyez sur l'un des boutons pour activer les options du menu, et sélectionnez Contrôle et Passer en mode Bypass.

Du mode Bypass au mode Online (ou batterie). Appuyez sur l'un des boutons pour activer les options du menu, et sélectionnez Contrôle et Passer en mode Normal.

7.4 Configuration des paramètres Bypass

Les paramètres suivants sont disponibles pour configurer le fonctionnement du Bypass.

Basculement sur le mode Bypass hors tolérance

1. Appuyez sur un bouton quelconque pour afficher les options du menu. Ensuite sélectionnez successivement Paramètres, Paramètres de sortie et Mode Bypass.
2. Sélectionnez Activé ou Désactivé pour BP AC NOK puis appuyez sur Entrée pour valider.
Si vous avez sélectionné Activé, l'onduleur passe en mode bypass, même si la source AC de bypass est hors tolérance, selon le mode de sortie. Si vous avez sélectionné Désactivé, la sortie de l'onduleur est coupée.

Durée d'interruption

Ce paramètre permet de définir la durée de l'interruption pendant le basculement en mode Bypass, mais uniquement si le basculement hors tolérance est activé. Il est possible de sélectionner 10 ms ou 20 ms.

7.5 Configuration des paramètres batterie

Test de batterie automatique

Les tests automatiques des batteries sont effectués chaque semaine en mode recharge constante et à chaque cycle du mode ABM. Il est possible de modifier la fréquence des tests.

Pendant le test, l'onduleur passe en mode batterie et décharge les batteries pendant 25 secondes.



Pendant un test, le mode batterie n'est pas affiché et l'alarme de batterie faible ne s'active pas.

Il est possible d'annuler un test de batterie si les conditions requises ne sont pas réunies ou en cas d'échec.

Avertissement de batterie faible

Pendant la décharge, l'alarme de batterie faible est activée si la capacité descend en dessous de 20 %. Il est possible de modifier ce seuil.

Configuration de batterie externe

Le nombre de module de batteries externes est détecté automatiquement, mais il est également possible de le configurer manuellement dans les options Nombre d'EBM ou Ah.

Protection décharge profonde

Cette option évite d'endommager la batterie. La garantie est en effet annulée si la protection contre les décharges profondes est désactivée.

7. Fonctionnement

7.6 Récupération du journal des événements

Pour rechercher le journal des événements par l'afficheur :

1. Appuyez sur l'un des boutons pour activer les options du menu, alors sélectionnez journal d'événements.
2. Parcourez les événements répertoriés.

7.7 Récupération du journal des défauts

Pour consulter le journal des défauts sur l'afficheur :

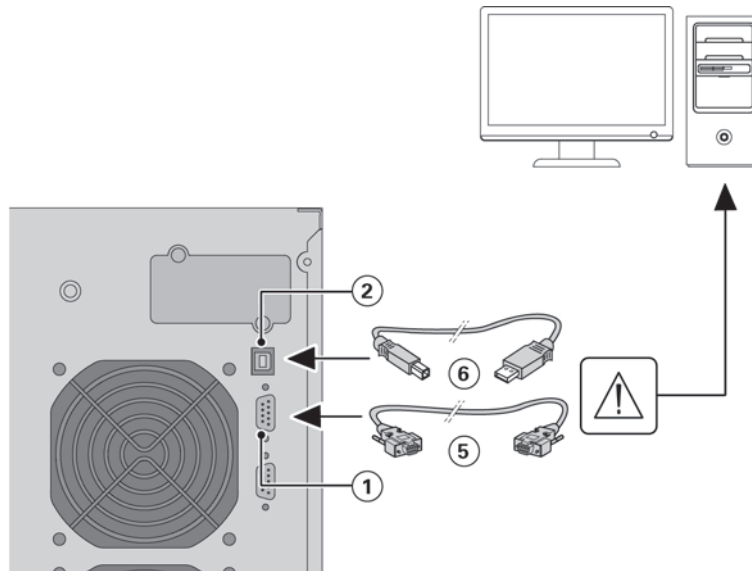
1. Appuyez sur un bouton quelconque pour activer les options du menu puis sélectionnez le journal des défaillances.
2. Parcourez la liste des défauts.

8. Communication

8.1 Ports de communication

• Port de communication RS232 ou USB

Le port de communication RS232 et le port de communication USB ne peuvent fonctionner simultanément.

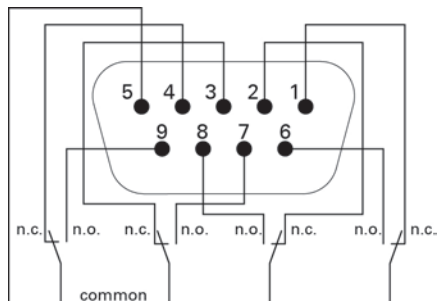


1. Connecter le câble de communication RS 232 ⑤ ou USB ⑥ sur le port série ou USB de l'équipement informatique.
2. Connecter l'autre extrémité du câble de communication ⑤ ou ⑥ sur le port de communication RS232 ① ou USB ② de l'ASI.

L'ASI peut désormais dialoguer avec un logiciel d'administration, de personnalisation ou de sécurité EATON.

• Contacts à relais de sortie

L'onduleur est équipé de quatre relais de sortie programmables. Chaque information est fournie par un contact ouvert ou fermé.



Etat actif : (si le contact entre la broche et la broche commune est fermé)


- Broche 1 : pas sur Bypass
- Broche 2 : charge non protégée
- Broche 3 : batterie normale
- Broche 4 : ne fonctionne pas sur batterie
- Broche 5 : commun utilisateur
- Broche 6 : sur Bypass
- Broche 7 : batterie faible
- Broche 8 : charge protégée
- Broche 9 : fonctionne sur batterie
- n.o. : contact normalement ouvert
- n.c. : contact normalement fermé

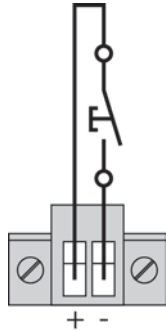


Les contacts à relais de sortie ne doivent être connectés à aucun circuit relié au secteur. L'isolation renforcée au secteur est obligatoire. Les contacts à relais de sortie ont une capacité nominale maximum de 250 Vac/5 A.

8. Communication

- **Remote On/Off (ROO)**


Cette commande permet d'actionner à distance le bouton  pour arrêter/redémarrer l'onduleur.



Normalement ouvert

Lorsque le contact se ferme, l'onduleur est mis (ou reste) sous tension.
Lorsque le contact s'ouvre, l'onduleur est mis (ou reste) hors tension.



L'activation/désactivation au moyen du bouton  est prioritaire sur la commande à distance.

La commande "Marche/Arrêt distant" n'est pas activée par défaut et doit être activée via le menu.

- **Arrêt distant**

Le RPO est utilisé pour arrêter l'onduleur à distance. Cette fonction peut être utilisée pour arrêter l'onduleur à distance, par exemple en cas de température trop élevée dans la salle. Si le RPO est activé, l'onduleur arrête la sortie et tous ses convertisseurs d'alimentation immédiatement. L'onduleur reste allumé pour générer l'alarme de l'erreur.



Le circuit RPO est un circuit supplémentaire de basse tension de sécurité (SELV) CEI 60950.
Ce circuit doit être séparé de tous les circuits dangereux de tension par l'isolation renforcée.



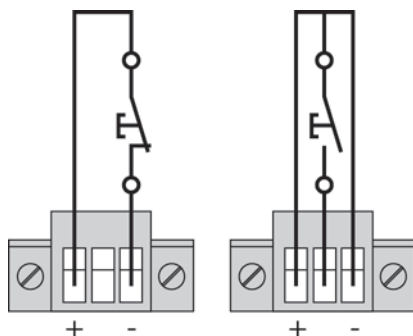
- Le RPO ne doit être connecté à aucun circuit connecté au secteur. L'isolation renforcée au secteur est exigée. L'interrupteur RPO doit avoir une valeur minimum de 27 Vcc et 20 mA et être un interrupteur de type à verrouillage non attaché à un autre circuit. Le signal RPO doit demeurer actif pendant au moins 250 ms pour le fonctionnement correct.
- Quand la fonction RPO est activée, il faut déconnecter l'entrée de l'onduleur pour être assuré qu'il n'alimentera pas la charge, quel que soit son mode de fonctionnement.



Laissez le connecteur RPO installé dans le port RPO sur l'onduleur même si la fonction RPO n'est pas nécessaire.

Connexions RPO :

Alimentation interne



Normalement
fermé

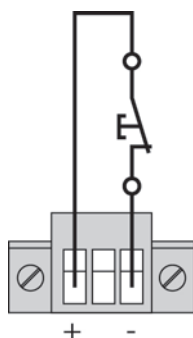
Normalement
ouvert

Le diamètre nominal du fil terminal est de 0,32-4 mm² (22-12 AWG).
Le diamètre conseillé est de 0,82 mm² (18 AWG).

8. Communication

Connexion et test de l'arrêt distant

1. Vérifiez que l'onduleur est en position arrêt et que le réseau électrique d'alimentation est déconnecté.
2. Otez le connecteur RPO en dévissant les vis.
3. Raccordez un contact sec isolé, de type normalement fermé, entre les deux broches du connecteur.



Normalement fermé

Contact ouvert : arrêt de l'onduleur.

Pour revenir en fonctionnement normal, désactivez le contact externe d'arrêt à distance et redémarrez l'onduleur par la face avant.

4. Embrochez le connecteur RPO à son emplacement sur la face arrière de l'onduleur.
5. Raccordez et redémarrez l'onduleur selon les procédures décrites précédemment.
6. Activez le contact externe d'arrêt à distance pour tester la fonction.



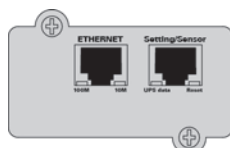
Testez toujours la fonction RPO avant d'appliquer votre charge critique pour éviter la perte de charge accidentelle.

• Cartes de communication

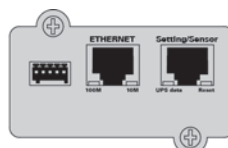
Les cartes de communication permettent à l'onduleur de communiquer dans une variété d'environnements de réseau et avec différents types de dispositifs. Le Eaton 9PX a une baie de communication disponible pour les cartes suivantes :

- **Network-MS Card (standard)** - dispose des capacités SNMP et HTTP aussi bien que de surveillance grâce à une interface web ; se connecte à un réseau Ethernet. De plus, une sonde d'environnement Eaton (EMP) peut être connectée à cette carte pour gérer l'humidité, la température, détecter la présence de fumée et les ouvertures de portes.
- **Modbus-MS Card** - cette carte gère le protocole Modbus en plus de l'administration de réseau.
- **Relay-MS Card** - dispose de sorties par relais (contact sec) informant sur l'état de l'onduleur : Défaut secteur, batterie faible, alarme onduleur/OK ou sur le Bypass.

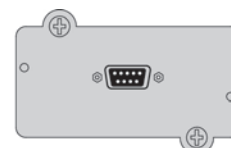
Voir "Installation des cartes de communication", page 34 pour l'emplacement de la baie de communication.



Network-MS card (standard)



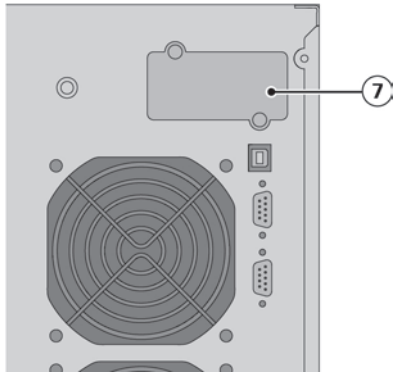
Modbus-MS card



Relay-MS card

8. Communication

Installation des cartes de communication



Il n'est pas nécessaire d'arrêter l'ASI pour installer la carte de communication :

1. Oter le plastron ⑦ de l'ASI fixé par des vis.
2. Insérer la carte de communication dans l'emplacement prévu.
3. Fixer le plastron de la carte à l'aide des 2 vis.

8.2 Le Eaton Intelligent Power Software suite

Chaque onduleur 9PX est fourni avec le Eaton Intelligent Power Software suite. Pour commencer l'installation, voir les instructions qui accompagnent le CD.

Eaton software Suite vous permet de visualiser graphiquement les données et l'état du système d'alimentation électrique. Il vous donne un enregistrement complet des événements critiques, et il vous communique des informations importantes sur l'onduleur ou l'alimentation. En cas de panne secteur prolongée et de faiblesse de la batterie de l'onduleur, Eaton Software Suite peut arrêter automatiquement votre système informatique pour protéger vos données avant que l'arrêt de l'onduleur ne se produise.

9. Entretien de l'Onduleur

9.1 Entretien de l'équipement

Pour un entretien préventif optimal, veillez à ce que l'espace autour de l'équipement reste propre et exempt de poussière.

Si le milieu est très poussiéreux, nettoyez l'extérieur du système avec un aspirateur. Pour une longue durée de vie des batteries, maintenez l'onduleur à une température ambiante de 77°F (25°C).



Si l'onduleur doit être transporté, assurez-vous qu'il est débranché et hors tension.

Les batteries dans l'onduleur ont une durée de vie nominale de 3 à 5 ans. Cette durée varie en fonction de la fréquence d'utilisation et de la température ambiante. Les batteries utilisées au delà de la durée de vie prévue auront souvent des autonomies très réduites. Remplacez les batteries tous les 5 ans afin que les unités fonctionnent à une efficacité maximale.

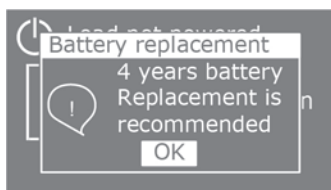
9.2 Entreposage de l'équipement

Si vous stockez l'onduleur pendant une longue période, rechargez la batterie tous les 6 mois en connectant l'onduleur au secteur. L'EBM charge à la capacité de 90% en moins de 3 heures. Cependant, Eaton recommande que les batteries soient mises en charge pendant 48 heures après l'installation ou le stockage de longue durée.

Vérifiez la date de recharge de batterie sur l'étiquette du carton d'expédition. Si la date a expiré et que les batteries n'ont jamais été rechargées, ne les utilisez pas. Contactez votre représentant du service après-vente.

9.3 Quand remplacer les batteries

Lorsque le message de remplacement s'affiche, il est conseillé de remplacer les batteries sans délai. Contactez le service après-vente pour commander les nouvelles batteries.



9. Entretien de l'Onduleur

9.4 Remplacement des batteries



NE DÉBRANCHEZ PAS les batteries si l'onduleur est en mode batterie.

Les batteries peuvent être remplacées facilement sans arrêter l'onduleur ou déconnecter la charge. Si les réparateurs préfèrent couper l'alimentation d'entrée avant de changer les batteries, voir "Arrêt de l'onduleur", page 27.

Considérez toutes les alarmes, les mises en garde, et les avertissements avant de remplacer les batteries.



- L'entretien doit être assuré par un personnel qualifié connaissant bien les batteries et les précautions exigées. Ne laissez pas le personnel non autorisé s'approcher des batteries.
- Les batteries peuvent présenter un risque d'électrochoc ou de brûlure à cause du courant de court circuit élevé. Prenez les précautions suivantes :
 1. Enlevez les montres, les bagues, ou d'autres objets métalliques,
 2. Utilisez des outils isolés,
 3. Ne posez pas les outils ou les pièces métalliques sur des batteries,
 4. Portez de gants et des bottes en caoutchouc.
- En remplaçant les batteries, utilisez les mêmes type et nombre de batteries ou de blocs de batterie. Veuillez contacter votre représentant du service après-vente pour commander les nouvelles batteries.
- L'élimination correcte des batteries est exigée. Référez-vous à votre réglementation locale pour connaître les dispositions d'élimination prévues.
- Ne jetez jamais les batteries au feu. Les batteries peuvent exploser si exposées aux flammes.
- N'ouvrez pas ou ne modifiez pas la ou les batteries. L'électrolyte relâché est nuisible à la peau et aux yeux et peut être extrêmement toxique.
- Déterminez si la batterie est mise à la terre par mégarde. En cas de mise à la terre par mégarde, retirez la source de la prise de masse. Le contact avec toute pièce d'une batterie mise à la masse peut provoquer un électrochoc. La probabilité d'un tel choc peut être réduite si de telles mises à la terre sont retirées pendant l'installation et la maintenance (applicables aux alimentations de batterie de équipement et distante n'ayant pas un circuit d'alimentation mis au sol).
- **RISQUE DU A L'ÉNERGIE ÉLECTRIQUE.** N'essayez pas de modifier un câblage ou un connecteur de batterie. Essayer de modifier le câblage peut entraîner des blessures.
- Déconnectez la source de charge avant de connecter ou de déconnecter des bornes de batterie.

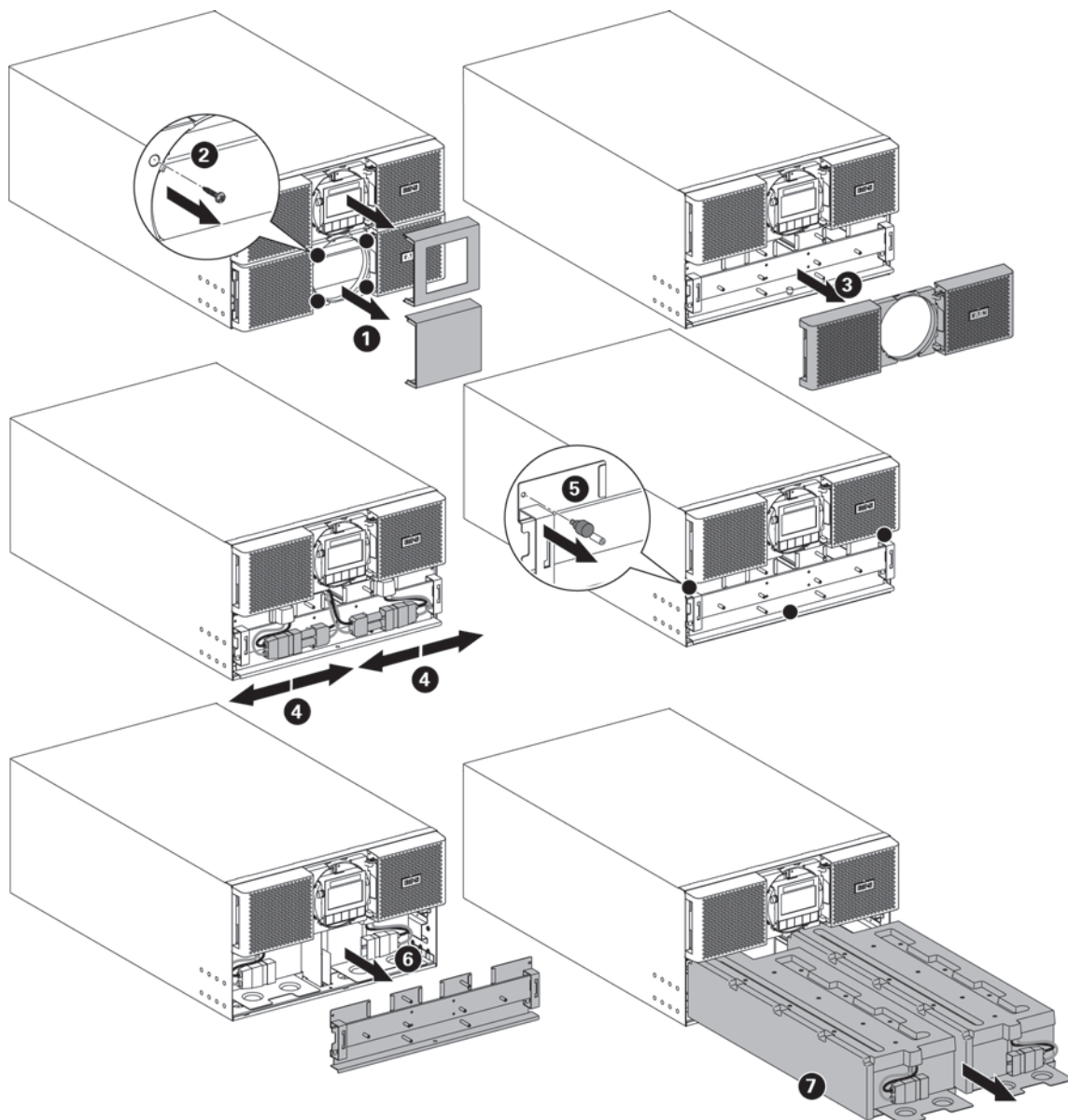
9. Entretien de l'Onduleur

• Remplacement de la batterie interne de l'ASI



La batterie interne est lourde. Les batteries doivent être manipulées avec précaution.

| Description | Poids (lb/kg) |
|-----------------------------|---------------|
| Batterie interne 9PX 8K SP | 67.3 / 30.5 |
| Batterie interne 9PX 10K SP | 67.3 / 30.5 |



Pour remplacer les batteries :

- Retirez les deux caches centraux de la face avant.
- Retirez les quatre vis pour retirer le bas de la face avant.
- Retirez les deux vis pour retirer le capot métallique de protection de la batterie.



Un câble plat connecte le panneau de contrôle LCD à l'onduleur. Ne tirez pas sur le câble ou ne le déconnectez pas.

- Tirez sur la poignée en plastique des batteries puis faites-les glisser avec précaution sur une surface plate et stable. Soutenez les batteries avec les deux mains. Pour savoir comment procéder, reportez-vous à "Recyclage des équipements usagés", page 39.
- Vérifiez que les nouvelles batteries ont la même puissance que les anciennes.
- Installez les nouvelles batteries dans l'ASI. Appuyez fermement dessus pour vous assurer qu'elles sont bien en place.
- Vissez la protection métallique et la face avant, puis fixez remettez le cache central en place.
- Allez à "Test de nouvelles batteries", page 38.

9. Entretien de l'Onduleur

• Remplacement du ou des EBM

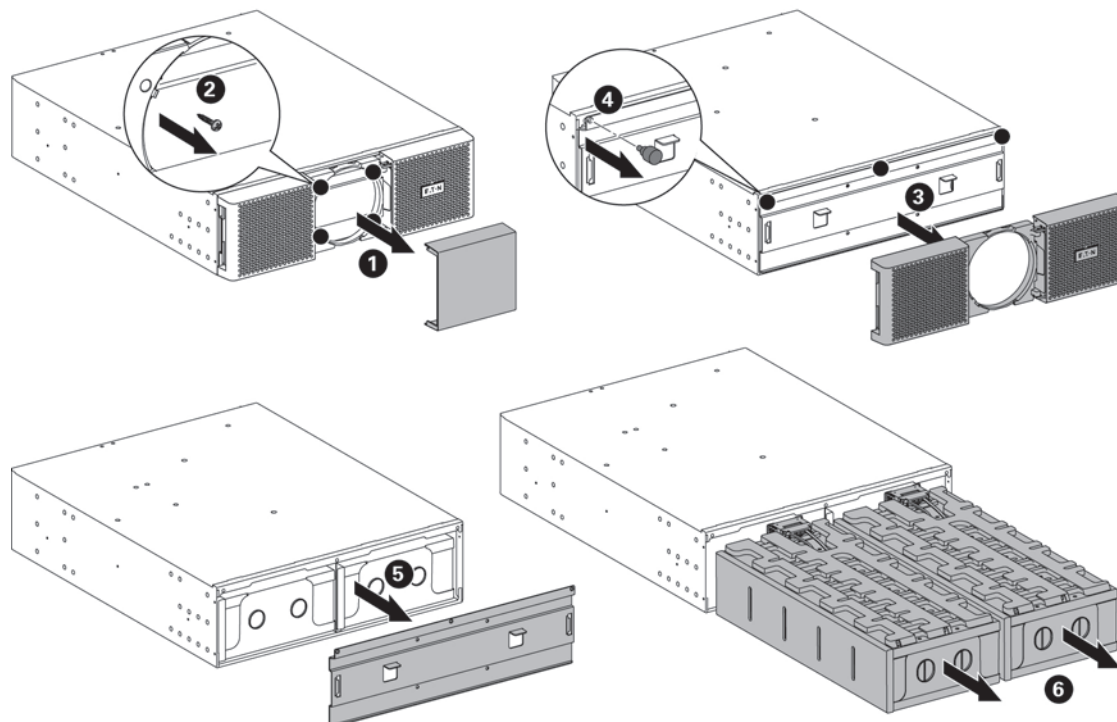


L'EBM est lourd. Soulever le module exige deux réparateurs au minimum.

| Description | Weights (lb/kg) |
|---|-----------------|
| 9PX EBM 360 SP | 163.2 / 74 |
| 9PX EBM 360 SP without internal battery | 28.7 / 13 |
| 9PX EBM 360 SP internal battery | 67.3 / 30.5 |

Pour remplacer le ou les EBM :

1. Débranchez le câble d'alimentation des EBM et le câble de détection de batterie de l'onduleur.
Si d'autres EBM sont installés, débranchez le câble d'alimentation et le câble de détection de batterie de chaque EBM.



Retirez les quatre vis pour retirer le bas de la face avant.

Vous pouvez retirer le bloc batterie de l'EBM comme expliqué ci-dessous.

- Retirez le cache central de la face avant.
 - Retirez les quatre vis pour ouvrir le côté gauche de la face avant.
 - Retirez les trois vis pour retirer le capot métallique de protection de la batterie.
 - Tirez sur la poignée en plastique des batteries puis faites-les glisser avec précaution sur une surface plate et stable. Soutenez les batteries avec les deux mains.
2. Remplacez le ou les EBM. Pour savoir comment procéder, reportez-vous à "Recyclage des équipements usagés", page 39.



Un petit arc électrique peut survenir lors du branchement de l'EBM. Ceci est normal et ne nuira pas au personnel. Insérez le câble EBM dans le connecteur de batterie de l'onduleur rapidement et fermement.

3. Enfichez le (ou les) câble(s) EBM dans le (ou les) connecteur(s) de batterie. Jusqu'à 4 EBM peuvent être connectés à l'onduleur.
 4. Vérifiez que les connexions EBM sont bien enclenchées.
 5. Branchez le ou les câbles de détection de batterie au connecteur de l'onduleur et du ou des EBM.
- ### • Test de nouvelles batteries

Pour tester les nouvelles batteries :

1. Rechargez les batteries pendant 48 heures.
2. Appuyez sur l'un des boutons pour activer les options du menu.
3. Sélectionnez le Contrôle puis Demarrer test de batterie.

L'onduleur commence un test de batterie si les batteries sont entièrement chargées, si l'onduleur est en mode Normal sans alarmes déclenchées, et si la tension Bypass est acceptable.

Pendant le test, l'onduleur passe au mode Batterie et décharge les batteries pendant 25 secondes.

Le panneau avant affiche "l'exécution du test de batterie" et le pourcentage du test complété.

9. Entretien de l'Onduleur

9.5 Remplacement de l'ASI équipé d'un Bypass de maintenance

Le Bypass de maintenance permet à la maintenance de remplacer l'ASI sans interrompre l'alimentation électrique de l'application connectée.

Consultez le manuel d'utilisation spécifique pour obtenir plus d'informations sur le Bypass de maintenance.

9.6 Recyclage des équipements usagés

Prenez contact avec votre centre local de collecte/recyclage de déchets dangereux pour connaître la procédure d'élimination des batteries usagées ou de l'onduleur.



- Ne jetez pas la ou les batteries au feu. Les batteries peuvent exploser. L'élimination correcte des batteries est exigée. Référez-vous à votre réglementation locale pour connaître les dispositions d'élimination prévues.
- N'ouvrez pas ou ne mutilez pas la ou les batteries. L'électrolyte relâché est nuisible à la peau et aux yeux. Il peut être toxique.



Pb

Ne jetez pas l'onduleur ou ses batteries avec les déchets. Ce produit contient des batteries plomb-acide scellées et doit être jeté correctement. Pour de plus amples informations, contactez votre centre local de collecte/recyclage ou de déchets dangereux.



Ne jetez pas de déchet d'équipement électrique ou électronique (DEEE) dans une poubelle. Pour connaître les procédures en vigueur, prenez contact avec votre centre local de collecte/ recyclage de déchets dangereux.



10. Dépannage

Eaton 9PX est conçu pour le fonctionnement continu et automatique et vous alertent de tout problème potentiel. Habituellement les alarmes montrées par le panneau de commande ne signifient pas que l'alimentation de sortie est affectée. Il s'agit plutôt d'alarmes préventives destinées à alerter l'utilisateur.

- Les événements sont des informations d'état silencieuses consignées dans le journal d'événements. Exemple : "fréquence AC OK".
- Les alarmes sont consignées dans le journal des événements et affichées sur l'écran LCD avec un logo clignotant. Certaines alarmes peuvent être signalées par 1 bip toutes les 3 secondes. Exemple : "Batterie faible".
- Les défauts sont signalés par un bip continu et une diode rouge, consignés dans le journal des défaillances et affichés sur l'écran LCD dans une boîte de message spécifique. Exemple : court-circuit.






Employez le synoptique de dépannage suivant pour déterminer les conditions d'alarme de l'onduleur.




10.1 Alarmes particulières et conditions

Pour consulter le journal d'événements ou des défauts :

1. Appuyez sur un bouton quelconque du panneau pour activer les options du menu.
2. Pour sélectionner le journal des événements ou le journal des défauts, appuyez sur le bouton ↓.
3. Parcourez la liste des événements ou des défauts.

Le tableau suivant décrit des situations typiques.

| Conditions | Cause possible | Action |
|---|--|--|
|  Mode batterie La LED est allumée. 1 bip toutes les 10 secondes. | Une panne secteur s'est produite et l'onduleur est en mode batterie. | L'onduleur alimente l'équipement par la batterie. Préparez votre équipement pour l'arrêt. |
|  Batterie faible La LED est allumée. 1 bip toutes les 3 secondes. | L'onduleur est en mode batterie et la batterie est faible. | Cet avertissement est approximatif et le temps réel à l'arrêt peut varier de manière significative. Selon la charge de l'onduleur et le nombre de modules batteries externes (EBMs) connectés, l'avertissement "Batterie faible" peut se produire avant que les batteries atteignent la capacité de 20%. |
|  Batteries déconnectées La LED est allumée. Bip continu. | Les batteries sont déconnectées. | Vérifiez que toutes les batteries sont correctement connectées. Si le problème persiste contactez votre représentant du service après-vente. |
|  Batterie défaillante La LED est allumée. Bip continu. | Le test de la batterie a échoué à cause de batteries défaillantes ou déconnectées, ou parce que la tension minimum des batteries a été atteinte en mode cycle ABM. | Vérifiez que toutes les batteries sont correctement connectées. Effectuez un nouveau test des batteries : si le problème persiste contactez votre représentant du service après-vente. |
| L'onduleur n'assure pas l'autonomie prévue. | Les batteries ont besoin d'être chargées ou réparées. | Mettez sous tension pendant 48 heures pour charger les batteries. Si le problème persiste contactez votre représentant du service après-vente. |
|  Mode Bypass La LED est allumée. | Une surcharge ou une défaillance s'est produite, ou une commande a été reçue alors que l'onduleur est en mode Bypass. | L'équipement est sous tension, mais pas protégé par l'onduleur. Vérifiez si l'une de ces alarmes s'est déclenchée : surchauffe, surcharge ou défaillance de l'onduleur. |

| | | |
|---|---|---|
| <p>Surcharge</p>  <p>La LED est allumée. Bip continu.</p> | <p>Les puissances requises dépassent la capacité de l'onduleur (supérieure à 100 % de la valeur nominale ; voir page 44 pour les plages de surcharge de sortie spécifiques).</p> | <p>Enlevez une partie de l'équipement de l'onduleur. L'onduleur continue à fonctionner, mais peut passer en mode Bypass ou s'arrêter si la charge augmente. L'alarme est s'arrête si la surcharge disparaît.</p> |
| <p>Surchauffe</p>  <p>La LED est allumée. 1 bip toutes les 3 secondes.</p> | <p>La température interne de l'onduleur est trop élevée ou un ventilateur est en panne. Au niveau de l'avertissement, l'onduleur génère l'alerte tout en restant dans l'état de fonctionnement actuel. Si la température monte encore de 10°C, l'onduleur passe au mode bypass ou s'arrête si le bypass est inutilisable.</p> | <p>Si l'onduleur passe en mode Bypass, il reviendra au fonctionnement normal dès que la température descend de 5°C en dessous du seuil critique. Si le problème persiste, arrêtez l'onduleur. Dégagez les orifices et retirez toutes les sources de chaleur. Permettez à l'onduleur de refroidir. Assurez-vous que l'aération autour de l'onduleur n'est pas limitée. Redémarrez l'onduleur. Si le problème continue à persister, veuillez contacter votre représentant du service après-vente.</p> |
| <p>L'onduleur ne démarre pas.</p> | <p>Le cordon d'alimentation n'est pas bien connecté.</p> | <p>Vérifiez la connexion du cordon d'alimentation.</p> |
| | <p>L'interrupteur d'arrêt d'urgence (RPO) est actif ou le connecteur RPO est absent.</p> | <p>Si le menu Etat de l'onduleur affiche l'avertissement "Alimentation d'urgence" désactivez l'entrée RPO.</p> |
| <p>Câblage d'entrée incorrect/ Câblage de sortie incorrect</p>  <p>La LED est allumée. Beep continu.</p> | <p>Les câbles d'entrée/sortie ne sont pas branchés aux bornes correctes.</p> | <p>Branchez les câbles d'entrée/sortie correctement.</p> |

10. Dépannage

10.2 Arrêt de l'alarme

Appuyez sur le bouton ESC du panneau pour activer les options du menu. Vérifiez les alarmes et faites le nécessaire pour résoudre le problème. Si l'état d'alarme change, l'alerte retentit de nouveau.

10.3 Service et support

Si vous avez des questions ou des problèmes avec l'onduleur, appelez votre **Distributeur Local** ou votre représentant du service après-vente et demandez un technicien de l'onduleur.

Veillez avoir les informations suivantes à portée de main quand vous demandez le service :

- Numéro de modèle
- Numéro de série
- Numéro de version du logiciel interne
- Date de survenue de la panne ou du problème
- Symptômes de la panne ou du problème
- Adresse de renvoi et informations de contact du client.

Si une réparation est requise, un Numéro d'Autorisation de Retour de Matériel (ARM) vous sera remis.

Ce numéro doit apparaître à l'extérieur de l'emballage et sur le bordereau d'expédition (si applicable).

Employez l'emballage d'origine ou demandez l'emballage au SAV ou au fournisseur. Les unités abîmées au cours de l'expédition en raison de l'emballage inapproprié ne sont pas couvertes par la garantie.

Une unité de remplacement ou de réparation sera expédiée, port payé, pour toutes les unités sous garantie.



Pour des applications critiques, le remplacement immédiat peut être disponible. Appelez le **Bureau d'Assistance** ou le vendeur ou distributeur le plus proche.

11. Caractéristiques

11.1 Caractéristiques techniques du modèle

Tableau 1. Liste de modèles ASI

| Modèle | Niveau de puissance |
|----------|---|
| 9PX8KSP | 8000VA / 7200W à 120/208V, 100/200V, 110/220V, 115/230V, 120/240V, 127/220V en sortie |
| 9PX10KSP | 8000VA / 7200W à 100/200V en sortie |
| | 9000VA / 8100W à 110/220V en sortie |
| | 10000VA / 9000W à 120/208V, 115/230V, 120/240V, 127/220V en sortie |

Tableau 2. Liste des modèles d'EBM

| Modèle | Configuration | Tension de batterie | Pour des valeurs nominales d'alimentation |
|-------------|---------------|-------------------------|---|
| 9PXEBM360SP | Rack / Tour | 360Vdc (± 180 Vdc) | 8000VA et 10000VA |

Tableau 3. Poids et dimensions

| Modèle (Module d'alimentation) | Dimensions H x L x P (mm / inch) | Poids (lb / kg) |
|--------------------------------|--------------------------------------|-----------------|
| 9PX8KSP | 10.3 x 17.4 x 29.4 / 262 x 440 x 745 | 225 / 102 |
| 9PX10KSP | 10.3 x 17.4 x 29.4 / 262 x 440 x 745 | 225 / 102 |
| 9PXEBM360SP | 5.2 x 17.4 x 25.4 / 130 x 440 x 645 | 163.2 / 74 |

Tableau 4. Entrée électrique

| Fréquence Nominale | 50/60Hz détection automatique | |
|--------------------------------|--|------------------|
| Plage de fréquence | 50Hz : 40-70Hz avant transfert à la batterie 60Hz : 40-70Hz avant transfert à la batterie | |
| Plage de tension bypass | -15% / +15% de la valeur nominale (par défaut) | |
| Modèle | Tension d'entrée | Courant d'entrée |
| 9PX8KSP | 100/200V | 43A |
| | 110/220V | 43A |
| | 115/230V | 43A |
| | 120/208V | 43A |
| | 120/240V | 43A |
| | 127/220V | 43A |
| 9PX10KSP | 100/200V | 46A |
| | 110/220V | 46A |
| | 115/230V | 46A |
| | 120/208V | 46A |
| | 120/240V | 46A |
| | 127/220V | 46A |

Tableau 5. Connexions électriques d'entrée

| Modèle | Connexion d'entrée |
|----------|--------------------|
| 9PX8KSP | Cablé |
| 9PX10KSP | |

11. Caractéristiques

Tableau 6. Sortie électrique

| Tous les modèles | Mode normal | Mode batterie |
|-----------------------------------|--|---|
| Régulation de tension | ±2% (Lx-N); ±5% (L1-L2) | ±10% |
| Rendement | > 97% (mode Haut Rendement) 94% pour 9PX8KSP/9PX10KSP (Typique) | |
| Régulation de fréquence | Synchronisation sur l'entrée si ±5% de la fréquence nominale (en dehors de cette plage : ±0.5% de la fréquence nominale auto détectée) | ±0.5% de fréquence nominale sélectionnée automatiquement |
| Tensions et puissances en sortie | 100/200V, 110/220V, 115/230V, 120/208V, 120/240V, 127/220V (tension configurable) (les puissances de sortie sont indiquées dans le Tableau 1 de la section 11.1) | |
| Fréquence | 50 ou 60Hz, détection automatique ou configuration en convertisseur de fréquence | |
| Surcharge de sortie (Mode normal) | 100-102% : pas d'alarme 102-110% : transferts de charge au mode bypass après 2 minutes 110-125% : transferts de charge au mode bypass après 1 minute 125-150% : transferts de charge au mode bypass après 10s > 150% : transferts de charge au mode bypass après 900ms | 100-102% : pas d'alarme 102-130% : transferts de charge au mode bypass après 10s > 130% : transferts de charge au mode bypass après 100ms |
| Surcharge de sortie (Mode Bypass) | 100-125%: no alarm 125-150%: l'onduleur s'arrête après 1 minute > 150%: l'onduleur s'arrête après 1s | |
| Forme d'onde de tension | Onde sinusoïdale | |
| Distorsion harmonique | < 3% THDV sur charge linéaire < 5% THDV sur charge non linéaire | |
| Temps de transfert | Mode online : 0 ms (pas d'interruption) Mode haut rendement : 10 ms maximum (en cas de la perte de secteur) | |
| Facteur de Puissance | 0,9 | |
| Facteur de crête | 3 à 1 | |

Tableau 7. Connexions électriques de sortie

| Modèle | Connexion de sortie |
|----------------------|---|
| 9PX8KSP, 9PX10KSP | Cablé (2) Sorties L14-30R (1) Sortie L6-30R |

Tableau 8. Environnement et sécurité

| | |
|---------------------------|--|
| Certifications CEM | UL 1778 4 ^e CAN/CSA C22.2 No 107.3-05 Ed.2 |
| CEM (Émissions)* | FCC part 15 Classe A CISPR22 Classe A AS/NZS 22 Classe A CEI 61000-3-2 (-3-12) CEI 61000-3-3 (-3-11) |
| CEM (immunité) | CEI 61000-2-2 CEI 61000-4-2, Niveau 3 CEI 61000-4-3, Niveau 3 CEI 61000-4-4, Niveau 4 (également sur les ports de communication) CEI 61000-4-5, Niveau 4, Critères B CEI 61000-4-6, Niveau 3 CEI 61000-4-8, Niveau 4 |

11. Caractéristiques

| | |
|--------------------------------------|---|
| Marquages d'agence | CE / cULus / NOM |
| Température de fonctionnement | 32 à 104°F (0 à 40 °C) en mode normal, avec un déclassement linéaire en fonction de l'altitude Nota : les protections thermiques transfèrent la charge sur Bypass en cas de surchauffe. |
| Température de stockage | 32 à 104°F (0 à 40°C) avec batteries 5 à 140°F (-15 à 60°C) sans batterie |
| Température de transport | -4 à 122°F (-20 à 50°C) |
| Humidité relative | 0 à 95% sans condensation |
| Altitude de fonctionnement | Jusqu'à 2000 mètres (6,562 ft) au-dessus de niveau de la mer avec déclassement de 10 % par tranche de 1000 m |
| Altitude de passage | Jusqu'à 10000 mètres (32,808 ft) au-dessus de niveau de la mer |
| Niveau sonore | < 55 dBA à 1 mètre typique |

Tableau 9. Batterie

| | Batteries internes | EBMs |
|----------------------------------|--|-------------------------------|
| Configuration Rack / Tour | 9PX8KSP/9PX10KSP: 360Vdc (±180Vdc) | 9PXEBM360SP: 360Vdc (±180Vdc) |
| Type CSB/HR1227WF2FR | Étanche, sans entretien, régulé par clapet, au plomb, minimum 3 ans de durée de vie à 77°F (25°C), La durée de vie est réduite au dessus de 86°F (30°C). | |
| Surveillance | Surveillance avancée pour une détection et un avertissement plus précoces des pannes | |
| Port de batterie | Connecteurs trois points externes SBS75G Marron + SBS75G Blanc sur l'ASI pour la connexion à l'EBM | |
| Longueur du câble EBM | 9PXEBMSP360: 50cm (19.7in) | |

Tableau 10. Options de communication

| | |
|--|--|
| Baie de communication | (1) baie indépendante pour cartes de connexion |
| Cartes de connexion compatibles | Network-MS Modbus-MS Relay-MS |
| Ports de communication | RS-232 (DB9) : 1200-19200 bps USB : 19200 bps |
| Contacts à relais de sortie | 4 relais de sortie (normalement ouverts ou normalement fermés) |
| ROO | Cavalier 2 broches (normalement fermé) |
| RPO | Cavalier 3 broches (broche 1 & 3 normalement fermé) |

SAV EATON

Support technique et produits



Des questions techniques ? Si vous rencontrez un problème avec les instructions de ce manuel, ou si vous avez des questions à poser sur le fonctionnement, la réparation ou l'entretien de votre équipement, rendez-vous sur notre site Internet powerquality.eaton.com pour plus de précisions.

Pour obtenir la réponse adéquate à vos questions, munissez-vous de la référence, du numéro de la pièce et du numéro de série, et mentionnez-les dans les entretiens téléphoniques et la correspondance.

Référence : _____

Numéro de la pièce : _____

Numéro de série : _____

Qui contacter

Pour le support technique, le SAV et les questions fréquentes, rendez-vous sur notre site Internet : powerquality.eaton.com

Rendez-vous pour intervention sur site

Les rendez-vous pour intervention sur site des techniciens EATON doivent être pris 7 à 10 jours à l'avance. Si le démarrage de l'onduleur est essentiel pour le respect de votre calendrier, contactez EATON. Nous nous chargerons de l'installation et de la mise en service, afin que vous puissiez bénéficier pleinement des performances et de la garantie EATON.

Politique de renvoi des produits (RMA)

Si vous devez renvoyer votre équipement à l'usine, contactez le SAV d'EATON et demandez une autorisation de retour (RMA) avant de l'expédier. Ne renvoyez jamais un équipement à EATON sans avoir obtenu préalablement un numéro de RMA.

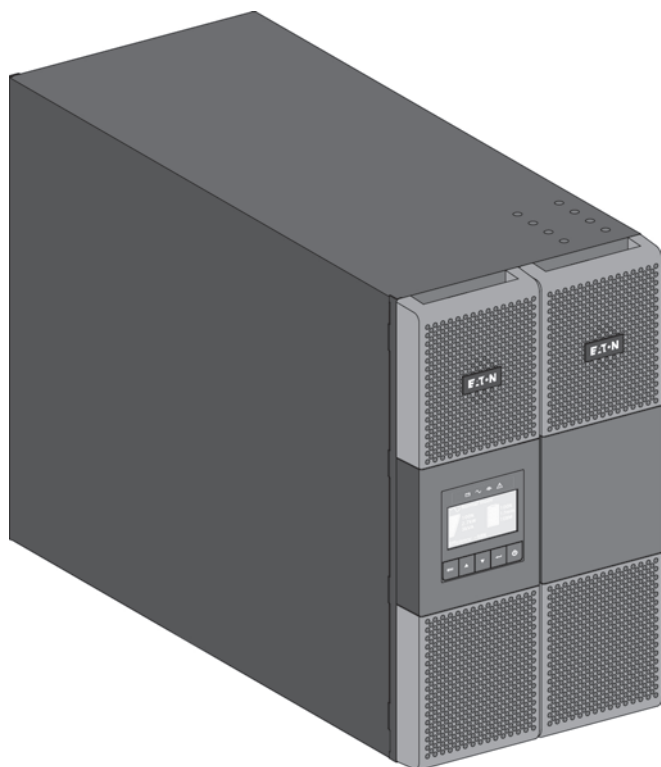
Pour plus de détails, rendez-vous sur notre site Internet : powerquality.eaton.com

Date : _____

Numéro RMA : _____

Personne à contacter : _____

| | |
|---|--|
| Bypass AC source | Réseau d'alimentation de la voie Bypass permettant d'alimenter l'application lors d'une surcharge en sortie de l'ASI, d'une maintenance ou d'un dysfonctionnement. |
| Convertisseur de fréquence | Mode de fonctionnement permettant de convertir la fréquence d'alimentation CA entre l'entrée et la sortie de l'onduleur (50 Hz -> 60 Hz ou 60 Hz -> 50 Hz). |
| Seuil de préalarme de fin d'autonomie batterie | Il s'agit d'un seuil du niveau de tension batterie permettant de détecter la fin prochaine de l'autonomie batterie et prendre alors les disposition imposées par la coupure prochaine de tension sur les équipements. |
| Autonomie | Temps pendant lequel les équipements sont alimentés par l'ASI fonctionnant sur batterie. |
| Equipements | Appareils ou dispositifs raccordés en sortie de l'ASI. |
| Mode HE | Mode de fonctionnement qui permet d'alimenter directement l'application par le réseau électrique si celui-ci est dans les limites de tolérances définies par l'utilisateur. Ce mode permet d'économiser l'énergie. |
| Manual bypass | Commutateur rotatif, actionné par l'utilisateur, permettant d'alimenter directement l'application par le réseau électrique. Le passage en bypass manuel permet la maintenance sans interrompre l'alimentation électrique de l'application connectée. |
| Mode normal ou double conversion | Mode de fonctionnement normal de l'ASI : le réseau électrique alimente l'ASI qui alimente l'application (après une double conversion électronique). |
| Input AC source | Source d'entrée d'alimentation pour l'ASI. |
| Contacts des relais | Informations délivrées sous forme de contacts destinées à l'utilisateur. |
| ASI | Alimentation Sans Interruption. |



**9PX8KSP
9PX10KSP
9PXEBM360SP**

**Manual de instalación
y del usuario**

Copyright © 2014 **EATON**
Todos los derechos reservados.

Servicio y asistencia:
Llame a su representante de servicio local.

INSTRUCCIONES DE SEGURIDAD

CONSERVE ESTAS INSTRUCCIONES. Este manual contiene instrucciones importantes que deben seguirse durante la instalación y el mantenimiento del SAI y de las baterías.

Los modelos de la serie 9PX a los que se refiere este manual están previstos para la utilización en un entorno a temperatura entre 32 a 104°F / 0 a 40°C, sin contaminantes conductivos.

Este equipo ha sido probado y clasificado como dispositivo digital de Clase B con arreglo al capítulo 15 de las normas de la FCC. Esta clasificación proporciona una protección moderada contra interferencias dañinas cuando el equipo se utiliza en un entorno comercial. Este equipo genera, utiliza y puede irradiar energía de radiofrecuencia y podría, en caso de no ser instalado o utilizado de acuerdo con el manual de instrucciones, causar interferencias perjudiciales en las comunicaciones de radio. El funcionamiento de este equipo en una zona residencial es susceptible de provocar interferencias dañinas, en tal caso, el usuario deberá hacerse cargo de corregir las interferencias.

Normas de certificación

- Seguridad: UL 1778 4°. CAN/CSA C22.2 No 107.3-05, Ed.2.
- EMC: IEC/EN 62040-1 / 1ª Edición: 2008
IEC/EN 62040-2 / 2ª Edición: 2006.
FCC capítulo 15 apartado B, Clase A.
- Rendimiento: IEC/EN 62040-3 / Edición 2.0: 2011.
- IEC 61000-4-2 (ESD): nivel 3.
- IEC 61000-4-3 (Campo de radiación): nivel 3.
- IEC 61000-4-4 (EFT): nivel 4.
- IEC 61000-4-5 (Ráfagas rápidas): nivel 4.
- IEC 61000-4-6 (Campo electromagnético): nivel 3.
- IEC 61000-4-8 (Campo magnético conducido): nivel 4.

Símbolos especiales

A continuación, mostramos unos ejemplos de símbolos usados en las unidades SAI o en los accesorios para avisarle de información importante:



RIESGO DE DESCARGA ELÉCTRICA: observe el aviso asociado al símbolo de riesgo de descarga eléctrica.



Instrucciones a seguir obligatoriamente.



Cuando deba desechar el SAI o sus baterías, no los mezcle con los residuos urbanos no seleccionados. Este producto contiene baterías de plomo selladas y se debe desechar tal como se describe en el presente manual.

Para más información, contacte con el centro de recogida de residuos peligrosos o de recogida selectiva local.



Este símbolo indica que no debe desechar los equipos eléctricos o electrónicos (WEEE) en el contenedor común. Para una correcta retirada, contacte con el centro de recogida de residuos peligrosos o de recogida selectiva local.



Informaciones, consejos, ayuda.



Consulte el manual de usuario de los accesorios del SAI.

Seguridad de las personas

- **RIESGO DE DESCARGA DETENSIÓN.** El sistema cuenta con su propia fuente de alimentación (la batería). Aísle el SAI y compruebe la existencia de tensión peligrosa aguas arriba y aguas abajo durante la operación de bloqueo y etiquetado. Los bloques de terminales pueden estar vivos aunque el sistema esté desconectado de la fuente de alimentación de CA.
- El sistema cuenta con un peligroso nivel de tensión. Sólo lo deberá abrir personal capacitado de servicio.
- El sistema cuenta con su propia fuente de alimentación (la batería). Por consiguiente, las tomas de suministro pueden estar vivos aunque el sistema esté desconectado de la fuente de alimentación de AC. El sistema cuenta con un peligroso nivel de tensión. Sólo lo deberá abrir personal capacitado de servicio.
- El sistema deberá contar con una buena puesta a tierra.
- La batería provista con el sistema contiene pequeñas cantidades de materiales tóxicos. Para evitar accidentes, se deberán seguir las siguientes directivas:
 - El servicio de las baterías debe ser efectuado o supervisado por personal experimentado en baterías y en las precauciones requeridas.
 - Al reemplazar las baterías, debe hacerse con baterías o paquetes de baterías del mismo tipo y referencia.
 - No debe desecharse las baterías en el fuego. Estas pueden explotar.
 - Las baterías constituyen un peligro (choque eléctrico, quemaduras). La corriente de cortocircuito puede ser muy alta.
- Debe tomarse precauciones durante toda manipulación:
 - Utilice guantes y botas de caucho.
 - No coloque herramientas ni piezas metálicas en la parte superior de las baterías.
 - Desconecte la fuente de carga antes de conectar o desconectar los terminales de la batería.
 - Compruebe si la batería ha sido puesta a tierra por inadvertencia. Si este es el caso, retire la fuente de la tierra. Si este es el caso, retire la fuente de la tierra. El contacto con toda pieza de una batería puesta a tierra puede provocar un choque eléctrico. Puede reducirse la probabilidad de dicho choque si se retiran las tomas a tierra durante la instalación y el mantenimiento (aplicable a los equipos y suministros de batería a distancia que no cuenten con un circuito de suministro puesto a tierra).

Seguridad del producto

- Las instrucciones para conexión y uso de la UPS descritas en este manual deben ser seguidas en el orden indicado.
- **PRECAUCIÓN:** Para reducir el riesgo de incendio, la unidad solo se conecta a un circuito dotado de protección de sobrecarga con circuito de derivación:
 - nominal de 60A, para modelos de 8kVA,
 - nominal de 60A, para modelos de 10kVA,
 de conformidad con el National Electric Code, ANSI/NFPA 70. El disyuntor aguas arriba debe estar en un lugar fácilmente accesible. La unidad puede desconectarse de la fuente de alimentación de CA abriendo este disyuntor.
- Los dispositivos de protección contra desconexión y sobrecarga eléctrica deben ser proporcionados por terceros para los circuitos de entrada y salida de CA que estén conectados de forma permanente.
- Controle que todas las indicaciones en la placa de datos coincidan con su sistema de alimentación de CA y con el consumo eléctrico real de todo el equipo conectado al sistema.
- Para EQUIPOS CONECTABLES, el enchufe-toma debe instalarse al lado del equipo, en un lugar fácilmente accesible.
- Nunca instale el sistema cerca de líquidos o en un ambiente excesivamente húmedo.
- Nunca permita que ingresen elementos extraños dentro del sistema.
- Nunca obstruya las rejillas de ventilación del sistema.
- Nunca exponga el sistema a la luz solar directa o a fuentes de calor.
- En caso que el sistema deba ser almacenado antes de su instalación, hágalo en un lugar seco.
- El rango admisible de temperatura es de 32 a 104°F / 0 a 40°C.
- El sistema no está pensado para utilizarse en una sala de ordenadores SEGÚN SE DISPONE en la Norma para la protección de equipos de la tecnología de la información, ANSI/NFPA 75 (sólo para instalaciones de EE.UU.).

Póngase en contacto con Eaton revendedores para pedir un kit de batería especial, si es necesario para cumplir con la norma ANSI/NFPA 75 requisito.

En el modelo 9PX8KSP, dispositivo de desconexión - **PRECAUCIÓN** - Una tercera parte deberá suministrar un interruptor de desconexión para el circuito de salida (output) de CA. Para reducir el riesgo de incendios, la unidad solo se conecta a un circuito dotado de protección de sobrecarga con circuito de derivación: 40A, de conformidad con el National Electrical Code, ANSI/NFPA 70.

En el modelo 9PX10KSP, dispositivo de desconexión - **PRECAUCIÓN** - Una tercera parte deberá suministrar un interruptor de desconexión para el circuito de salida (output) de CA. Para reducir el riesgo de incendios, la unidad solo se conecta a un circuito dotado de protección de sobrecarga con circuito de derivación: 45A, de conformidad con el National Electrical Code, ANSI/NFPA 70.

INSTRUCCIONES DE SEGURIDAD

Precauciones especiales

- La unidad es pesada: utilice calzado de seguridad y un elevador por vacío preferentemente durante las operaciones de manipulación.
- Todas las operaciones de manipulación requieren como mínimo la intervención de dos personas (desembalaje, elevación, instalación en sistema de racks).
- En el caso del EBM, se suministran correas únicamente para la extracción manual de la unidad del embalaje de cartón; estas correas no deben utilizarse para transportar la unidad. La unidad puede escaparse de las correas durante su manipulación (con el consiguiente riesgo de que se produzcan lesiones y se dañe el producto):
 - Mantener una distancia de 30 cm (12 in) como mínimo entre las correas.
 - Elevar la unidad con cuidado y mantenerla a poca altura.
 - Mantener la unidad horizontal durante el desembalaje.
- Antes y después de la instalación, si la UPS se mantiene descargada por un largo período, la UPS debe ser cargada por un período de 24 horas al menos una vez cada 6 meses (con temperaturas normales de almacenamiento inferiores a 77°F (25 °C)). Esto permite cargar la batería y evitar posibles daños irreversibles.
- Durante el reemplazo del Módulo de la batería, es imperativo utilizar el mismo tipo y número de elemento que el Módulo de batería original provisto con la UPS para mantener el mismo nivel de rendimiento y seguridad. En caso de duda, póngase inmediatamente en contacto con su representante EATON.
- Todas las reparaciones y mantenimiento deberían realizarlas **SÓLO PERSONAL DE SERVICIO TÉCNICO AUTORIZADO. NO HAY PARTES REPARABLES POR EL USUARIO** dentro del SAI.

| | |
|---|-----------|
| 1. Introducción | 6 |
| 1.1 Respeto medioambiental | 6 |
| 2. Presentación..... | 8 |
| 2.1 Pesos y dimensiones | 8 |
| 2.2 Disposición del panel trasero | 9 |
| 2.3 Accesorios (opcionale)..... | 9 |
| 3. Instalación para 9PX 8K SP y 9PX 10K SP | 10 |
| 3.1 Inspección del equipo | 10 |
| 3.2 Desembalaje del armario | 10 |
| 3.3 Comprobación del kit de accesorios | 11 |
| 3.4 Posición de torre | 12 |
| 3.5 Posición de rack | 13 |
| 3.6 Conexión de la batería interna | 14 |
| 4. Instalación de los EBM(s)..... | 15 |
| 4.1 Inspección del equipo | 15 |
| 4.2 Desembalaje del armario | 15 |
| 4.3 Comprobación del kit de accesorios | 16 |
| 4.5 Posición de torre | 18 |
| 4.6 Posición de rack | 19 |
| 4.7 Conexión de los EBM | 20 |
| 4.8 Conexión de los accesorios adicionales | 20 |
| 5. Encendido de los cables de suministro | 21 |
| 5.1 Requisitos para la instalación | 21 |
| 5.2 Acceso a los terminales de conexión..... | 22 |
| 5.3 Conexión de entrada/salida (input/output) cableada | 22 |
| 6. HMI (interfaz hombre-máquina) y ajustes | 23 |
| 6.1 Panel de control | 23 |
| 6.2 Descripción de la pantalla LCD | 24 |
| 6.3 Funciones de la pantalla..... | 25 |
| 6.4 Configuración ajustable por el usuario | 25 |
| 7. Funcionamiento..... | 27 |
| 7.1 Encendido y apagado del SAI | 27 |
| 7.2 Modos de funcionamiento..... | 28 |
| 7.3 Transferir el SAI entre modos | 29 |
| 7.4 Configuración de los ajustes de Bypass | 29 |
| 7.5 Configuración de los ajustes de la batería | 29 |
| 7.6 Extracción del histórico de eventos | 30 |
| 7.7 Extracción del histórico de fallos | 30 |
| 8. Comunicación | 31 |
| 8.1 Puertos de comunicación | 31 |
| 8.2 Paquete de Software de Gestión de Energía Eaton..... | 34 |
| 9. Mantenimiento del SAI | 35 |
| 9.1 Cuidado del equipo | 35 |
| 9.2 Almacenamiento del equipo | 35 |
| 9.3 Cuándo cambiar las baterías | 35 |
| 9.4 Sustitución de las baterías | 36 |
| 9.5 Sustitución del SAI equipado con un bypass (BPE20MBB1A) de mantenimiento..... | 39 |
| 9.6 Reciclado del equipo usado | 39 |
| 10. Detección y solución de problemas | 40 |
| 10.1 Condiciones y alarmas típicas | 40 |
| 10.2 Silenciar la alarma | 42 |
| 10.3 Servicio y soporte | 42 |
| 11. Especificaciones | 43 |
| 11.1 Especificaciones de modelos | 43 |
| 12. Glosario | 47 |

1. Introducción

Les agradecemos que hayan optado por un producto EATON para la seguridad de sus aplicaciones.

La gama 9PX ha sido elaborada con el mayor esmero.

Para explotar al máximo las altas prestaciones de su SAI (Sistema de Alimentación Ininterrumpida), les aconsejamos que se tomen el tiempo necesario para leer este manual.

Antes de instalar su 9PX, leerse el cuaderno con las instrucciones de seguridad a seguir.

Seguir, a continuación, las instrucciones del presente manual.

Les invitamos a que descubran la oferta de EATON así como las opciones de la gama 9PX visitando nuestro sitio WEB: powerquality.eaton.com, o poniéndose en contacto con su representante EATON.

1.1 Respeto medioambiental

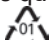
La sociedad EATON se ha comprometido en aplicar una política de protección y preservación del medio ambiente. Nuestros productos han sido desarrollados siguiendo una estrategia de ecodiseño.


Sustancias

Este producto no contiene ni CFC, ni HCFC, ni amianto.

Embalaje

Para mejorar el tratamiento de los vertidos y facilitar el reciclaje, separen los elementos del embalaje.

- La caja de cartón está hecha con más de un 50% de cartón reciclado.
- Las bolsas y las bolsitas son de polietileno.
- Los materiales que forman el embalaje son reciclables y están marcados con el símbolo de identificación  identificación

| Materiales | Abreviatura | Número en el símbolo  |
|------------------------------|-------------|--|
| Polietileno teraftalate | PET | 01 |
| Polietileno de Alta Densidad | HDPE | 02 |
| Polivinilo de Cloruro | PVC | 03 |
| Polietileno de Baja Densidad | LDPE | 04 |
| Polipropileno | PP | 05 |
| Poliestireno | PS | 06 |

Cumplir con las normativas locales vigentes para la eliminación del embalaje.

Final de vida útil

La sociedad EATON se ha comprometido en tratar los productos al final de su vida útil de acuerdo con lo dispuesto en las normativas locales. EATON trabaja con empresas encargadas de la recogida y eliminación de nuestros productos al final de su vida útil.

Producto

El producto está hecho con materiales reciclables. Su desmantelamiento y destrucción tendrán que realizarse conforme a lo dispuesto en las normativas locales vigentes relativas a los vertidos. El producto, al final de su vida útil, tendrá que ser depositado en un centro de tratamiento de vertidos eléctricos y electrónicos.

Batería

El producto contiene baterías de plomo que tendrán que ser tratadas conforme a lo dispuesto en las normativas locales vigentes relativas a las baterías.

Para cumplir lo dispuesto en esas normativas y eliminar la batería limpiamente, se puede extraer la misma del producto.

1. Introducción

El sistema de alimentación ininterrumpida (SAI) Eaton® 9PX protege sus equipos electrónicos más sensibles de los problemas más comunes de alimentación como fallos de alimentación, picos o caídas de tensión, apagones, ruido en la línea, variaciones de frecuencia, transitorios y distorsiones armónicas. Los apagones pueden ocurrir cuando menos se esperan y la calidad de la energía puede ser defectuosa. Estos problemas de alimentación pueden corromper la información crítica, destruir las sesiones de trabajo no guardadas y dañar el hardware — provocando la pérdida de horas de productividad y costosas reparaciones.

Con el SAI Eaton 9PX, usted puede eliminar de manera segura los efectos de las alteraciones de corriente y preservar la integridad de su equipo. Los beneficios únicos del Eaton 9PX además de proporcionar una rendibilidad extraordinaria y ser muy fiable, incluyen:

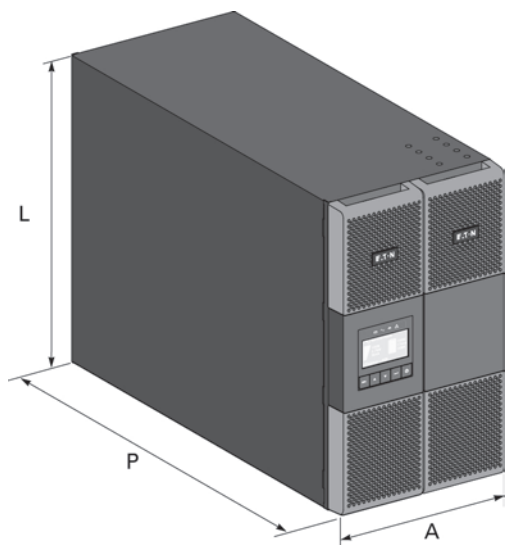
- Tecnología online doble conversión con, independencia de la frecuencia de la red de suministro eléctrico y compatibilidad con el generador.
- La tecnología ABM® que usa una gestión avanzada de las baterías para aumentar la vida útil de la batería, optimizar el tiempo de recarga y crear un aviso antes del final de la vida útil de la batería.
- Modo de funcionamiento de alta eficiencia seleccionable.
- Opciones de comunicación estándar: un puerto de comunicación RS 232, un puerto de comunicación USB y contactos de salida de relé.
- Tarjetas de conectividad opcionales con capacidades de comunicación mejoradas.
- Ampliación del tiempo de funcionamiento con hasta cuatro Módulos de extensión de la baterías (EBM) por SAI.
- Firmware fácil de actualizar sin necesidad de soporte técnico.
- Control de marcha/parada a distancia por medio de los puertos de marcha/parada a distancia (ROO) y desconexión remota (RPO).
- Respaldado por agencias de normalización a nivel mundial.

2. Presentación

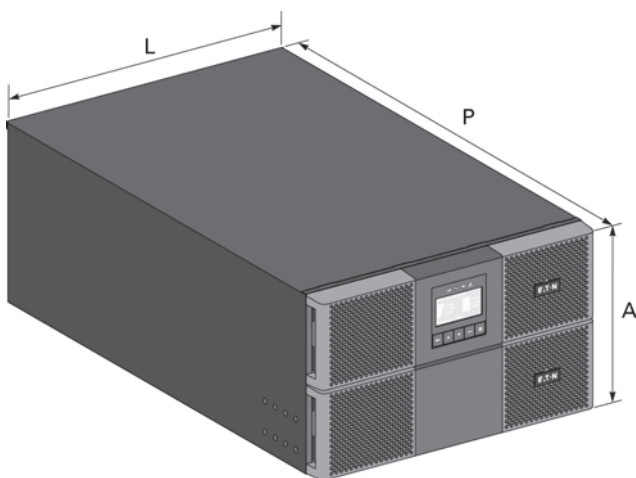
2.1 Pesos y dimensiones

9PX 8K SP / 9PX 10K SP

Posición de torre



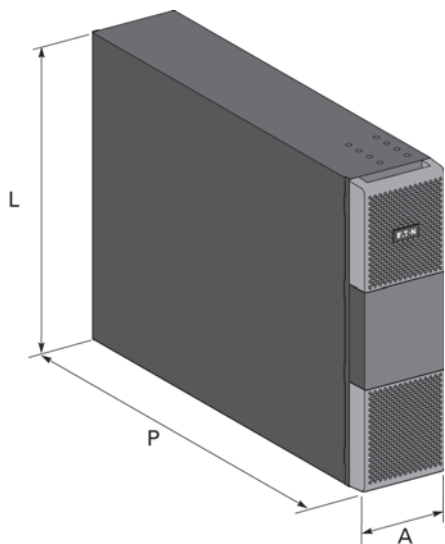
Posición de rack



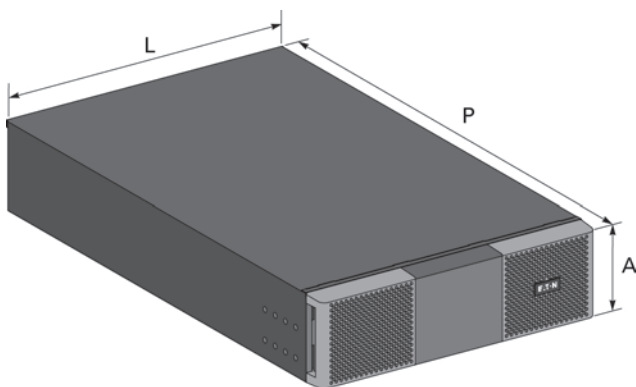
| Descripción | Pesos (lb/kg) | Dimensiones (inch/mm) Prof. x Anch. x Alt. (A x L x P) |
|-------------|---------------|---|
| 9PX8KSP | 225 / 102 | 10.3 x 17.4 x 29.4 / 262 x 440 x 745 |
| 9PX10KSP | 225 / 102 | 10.3 x 17.4 x 29.4 / 262 x 440 x 745 |

9PX EBM 360SP

Posición de torre



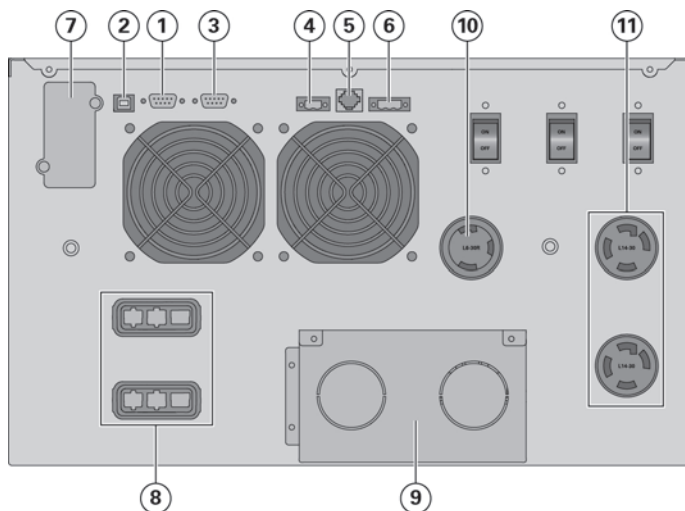
Posición de rack



| Descripción | Pesos (lb/kg) | Dimensiones (inch/mm) Prof. x Anch. x Alt. (A x L x P) |
|-------------|---------------|---|
| 9PXEBM360SP | 163.2 / 74 | 5.2 x 17.4 x 25.4 / 130 x 440 x 645 |

2.2 Disposición del panel trasero

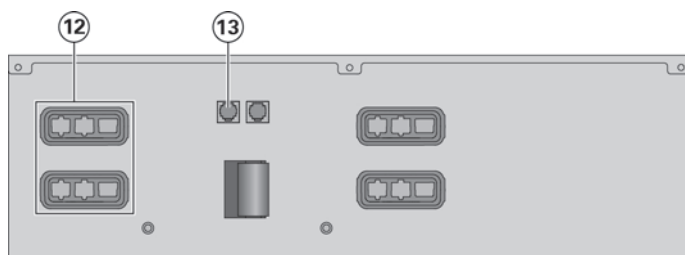
9PX 8K SP / 9PX 10K SP



- ① Puerto de comunicación RS232
- ② Puerto de comunicación USB
- ③ Puerto de comunicación de contactos secos (relés)
- ④ Conector para MBP y control de marcha/parada a distancia (ROO)
- ⑤ Conectores para el reconocimiento automático de un módulo de batería
- ⑥ Conector para control de desconexión remota (RPO)
- ⑦ Emplazamiento para la tarjeta de comunicación opcional
- ⑧ Conector para un módulo de batería
- ⑨ Bloques de terminales de entrada/salida
- ⑩ (1) Toma L6-30R
- ⑪ (2) Toma L6-30R

9PX EBM 360SP

(Módulo de extensión de las baterías del 9PX 8K SP / 9PX 10K SP)



- ⑫ Conectores para la conexión de los módulos de batería (hacia el SAI o hacia los otros módulos de batería)
- ⑬ Conectores de reconocimiento automático de los módulos de batería

2.3 Accesorios (opcionale)

| Cód. de producto | Descripción |
|------------------|---|
| 9PXEBM360SP | Módulo de batería ampliado |
| Modbus-MS | Modbus and network card |
| Relay-MS | Relay card |
| BPE20MBB1A | Bypass de mantenimiento externo para 9PX8KSP y 9PX10KSP |
| BINTSYS | Battery Integration System |
| EBMCBL360 | Cable de 1,8 m para 9PXEBM360SP |

3. Instalación para 9PX 8K SP y 9PX 10K SP

3.1 Inspección del equipo

Si se hubiera dañado algún equipo durante el envío, guarde las cajas de transporte y los materiales de embalaje para el transportista o para el lugar de compra y presente una reclamación por daños en el envío. Si detectara daños después de la aceptación, presente una reclamación por daños ocultos.

Pasos a seguir para presentar una reclamación por daños en el envío o por daños ocultos:

1. Presente una reclamación al transportista en un máximo de 15 días tras la recepción del equipo
2. Envíe una copia de la reclamación de daños en un máximo de 15 días a su oficina de servicio local.



Consulte la fecha de recarga de la batería en la etiqueta de la caja del embalaje. Si la fecha ha expirado y las baterías no se han recargado nunca, no use el SAI. Contacte con su oficina de servicio local.

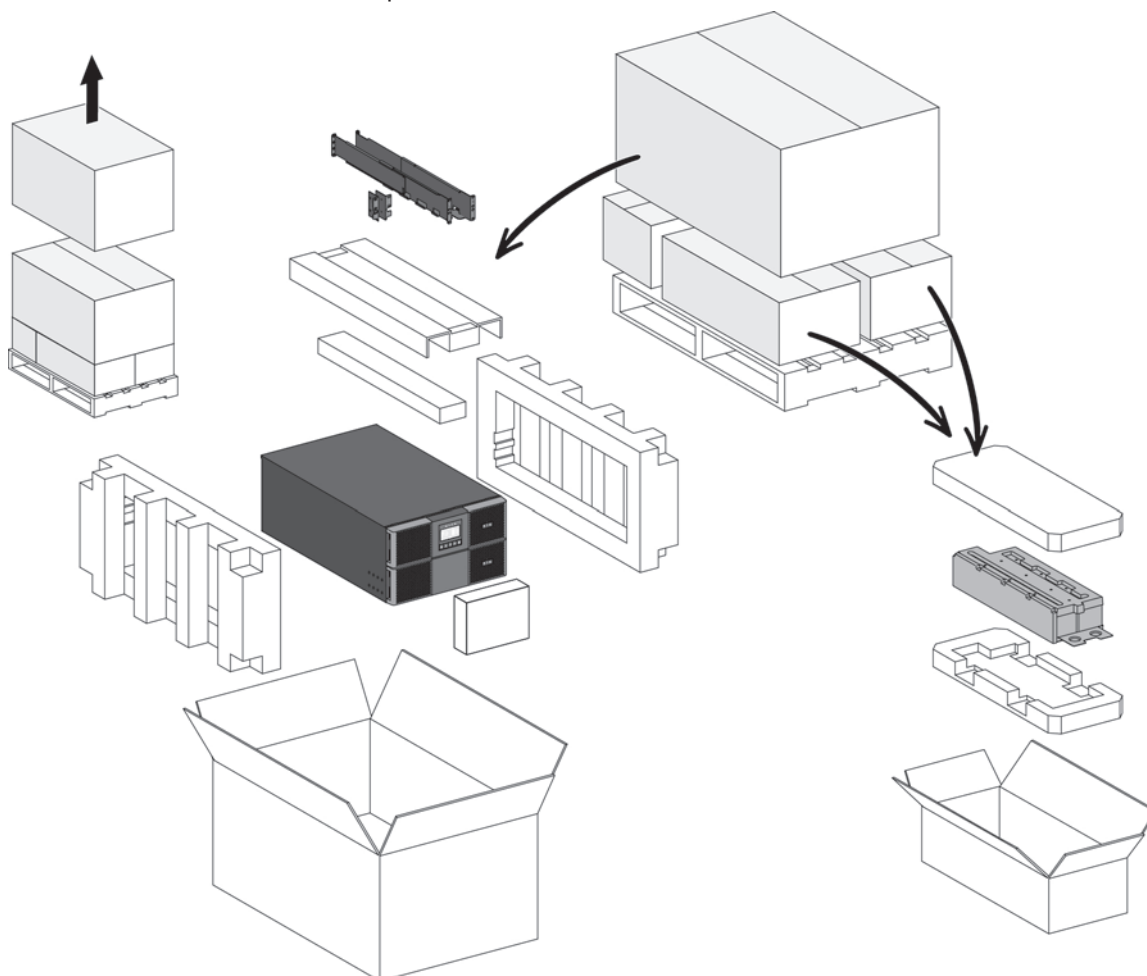
3.2 Desembalaje del armario



- Desembalar el armario en un entorno a baja temperatura puede provocar condensación dentro y sobre la unidad. No instale la unidad hasta que el interior y el exterior estén absolutamente secos (riesgo de cortocircuito eléctrico).
- La unidad es pesada (consulte "Pesos y dimensiones", página 43). Siga las precauciones especiales que aparecen en la página 4 y en el embalaje de cartón.

Desembale el equipo y extraiga todos los materiales de embalaje y las cajas de envío

Nota: No levante el SAI desde el panel frontal.



Desempaquetado de los SAIs.

Deshágase o recicle el embalaje de manera responsable o guárdelo para un uso futuro.

Coloque la unidad en una zona protegida que tenga una ventilación adecuada y esté exenta de humedad, gases inflamables y corrosión.

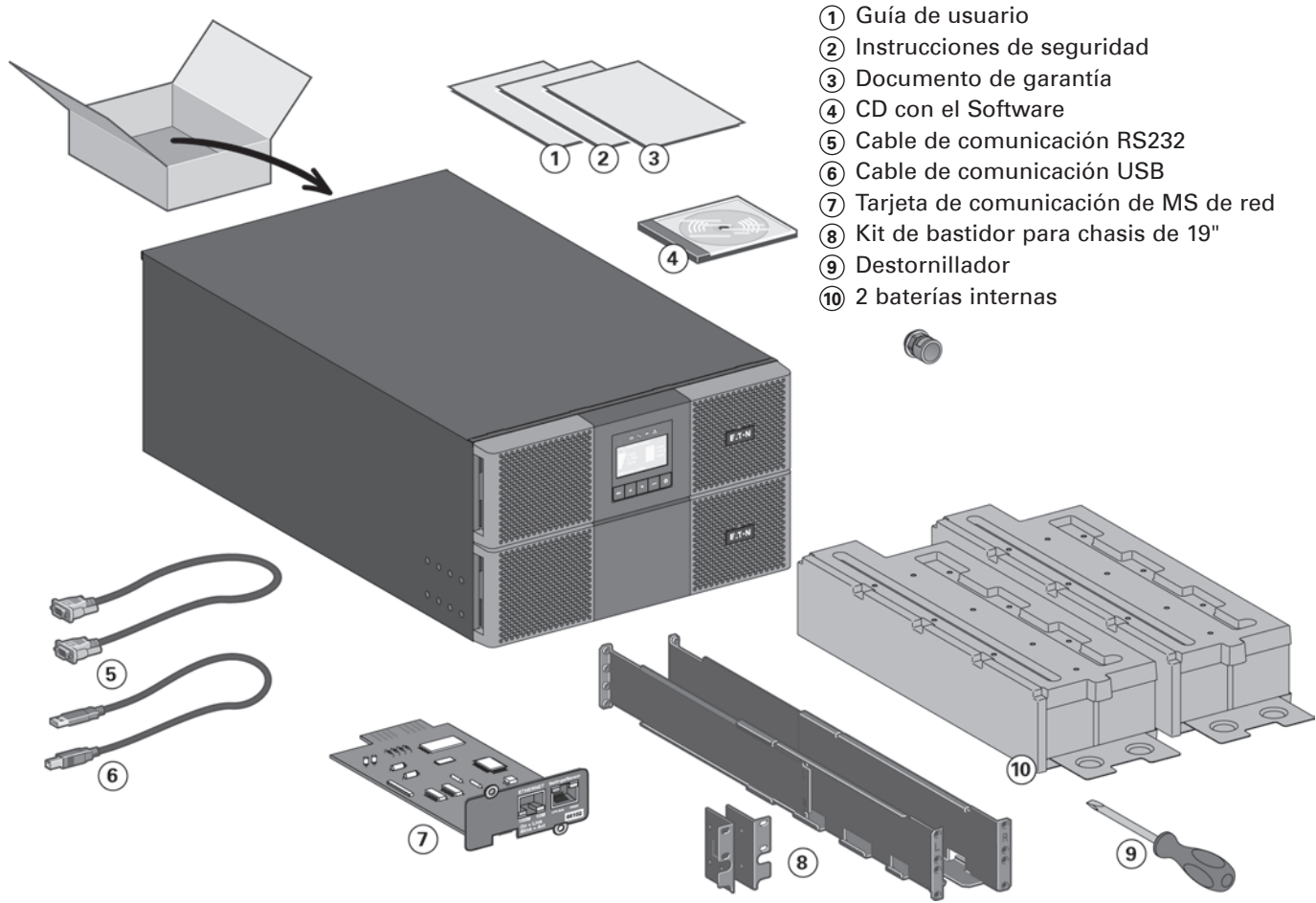


Los materiales de embalaje se deben desechar conforme a la normativa local sobre residuos. Los símbolos de reciclado están impresos en los materiales de embalaje para facilitar la selección.

3. Instalación para 9PX 8K SP y 9PX 10K SP

3.3 Comprobación del kit de accesorios

- Verifique que los artículos siguientes se incluyen con el SAI:



- ① Guía de usuario
- ② Instrucciones de seguridad
- ③ Documento de garantía
- ④ CD con el Software
- ⑤ Cable de comunicación RS232
- ⑥ Cable de comunicación USB
- ⑦ Tarjeta de comunicación de MS de red
- ⑧ Kit de bastidor para chasis de 19"
- ⑨ Destornillador
- ⑩ 2 baterías internas

3. Instalación para 9PX 8K SP y 9PX 10K SP

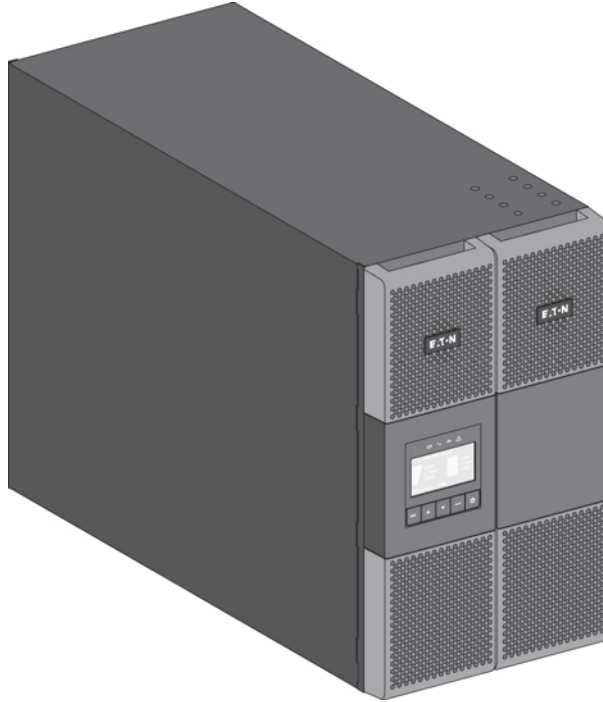
3.4 Posición de torre



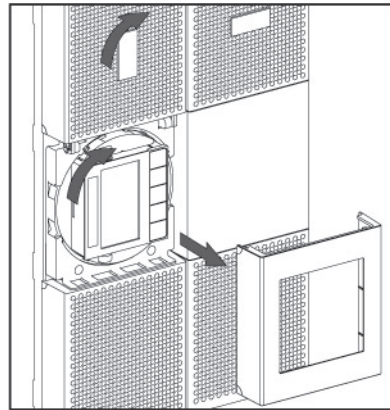
Si ha pedido otros accesorios del SAI, consulte los manuales de usuario específicos para comprobar el procedimiento de instalación en torre con el SAI.

Para instalar el armario:

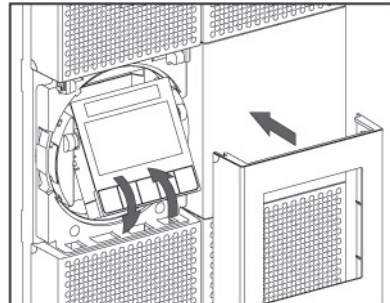
1. Coloque el SAI sobre una superficie estable y plana.
2. Procurar siempre que haya un espacio libre de 150 mm detrás del SAI.
3. Si está instalando armarios adicionales, colóquelos cerca del SAI.
4. Coloque los soportes de montaje para acoplar el EBM al módulo SAI (si hay EBM).



- Ajuste de la orientación de la pantalla LCD y del logotipo.



- Ajuste del ángulo de visión de la pantalla LCD.

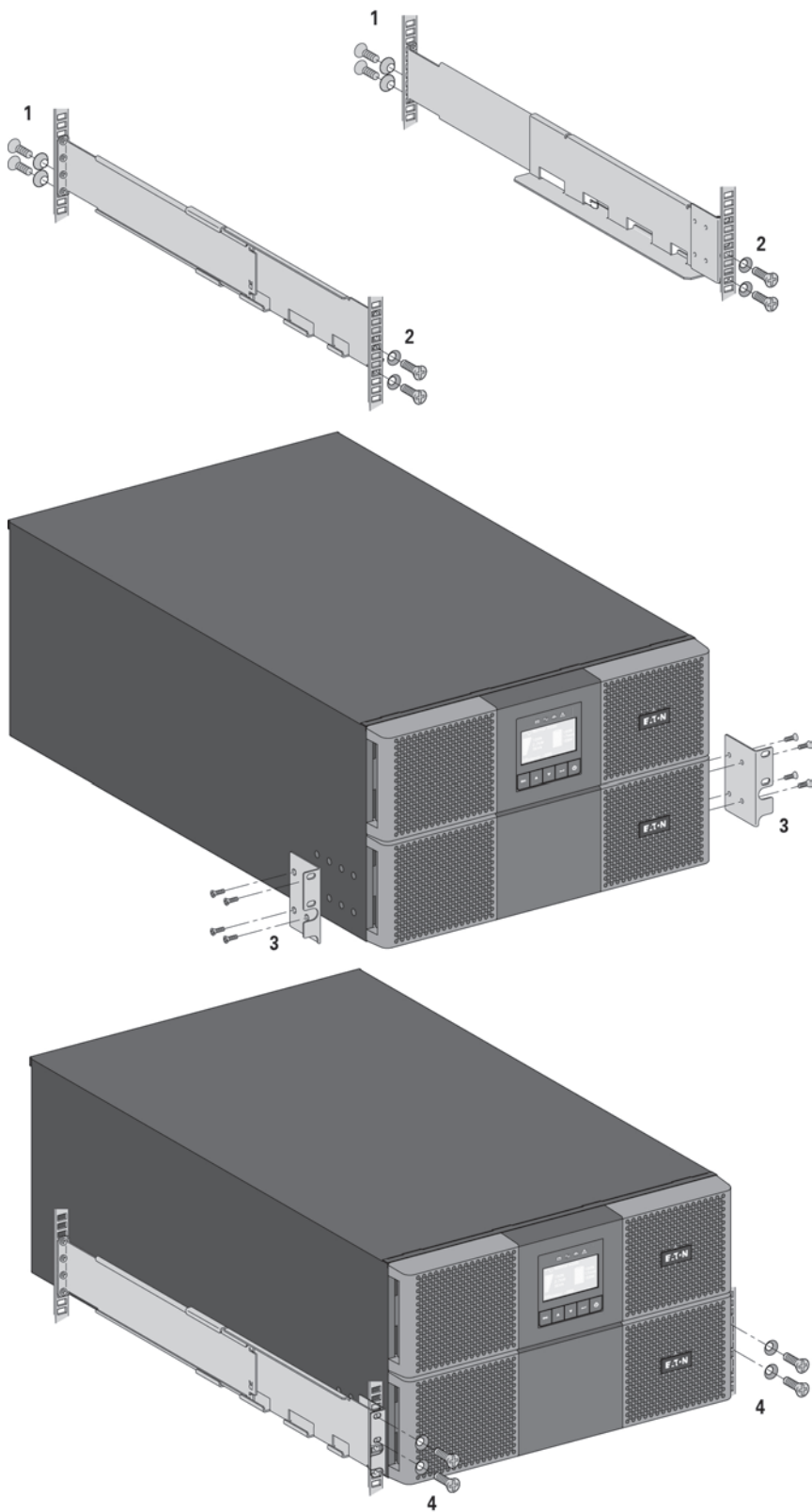


3. Instalación para 9PX 8K SP y 9PX 10K SP

3.5 Posición de rack

- Montaje del SAI y los módulos accesorios en bastidor.

Siga los pasos 1 - 4 para montar los módulos sobre los rieles.



Los rieles y el material necesario para el montaje son suministrados por EATON.

Si ha pedido otros accesorios del SAI, consulte los manuales de usuario específicos para comprobar el procedimiento de instalación en bastidor con el SAI.



3. Instalación para 9PX 8K SP y 9PX 10K SP

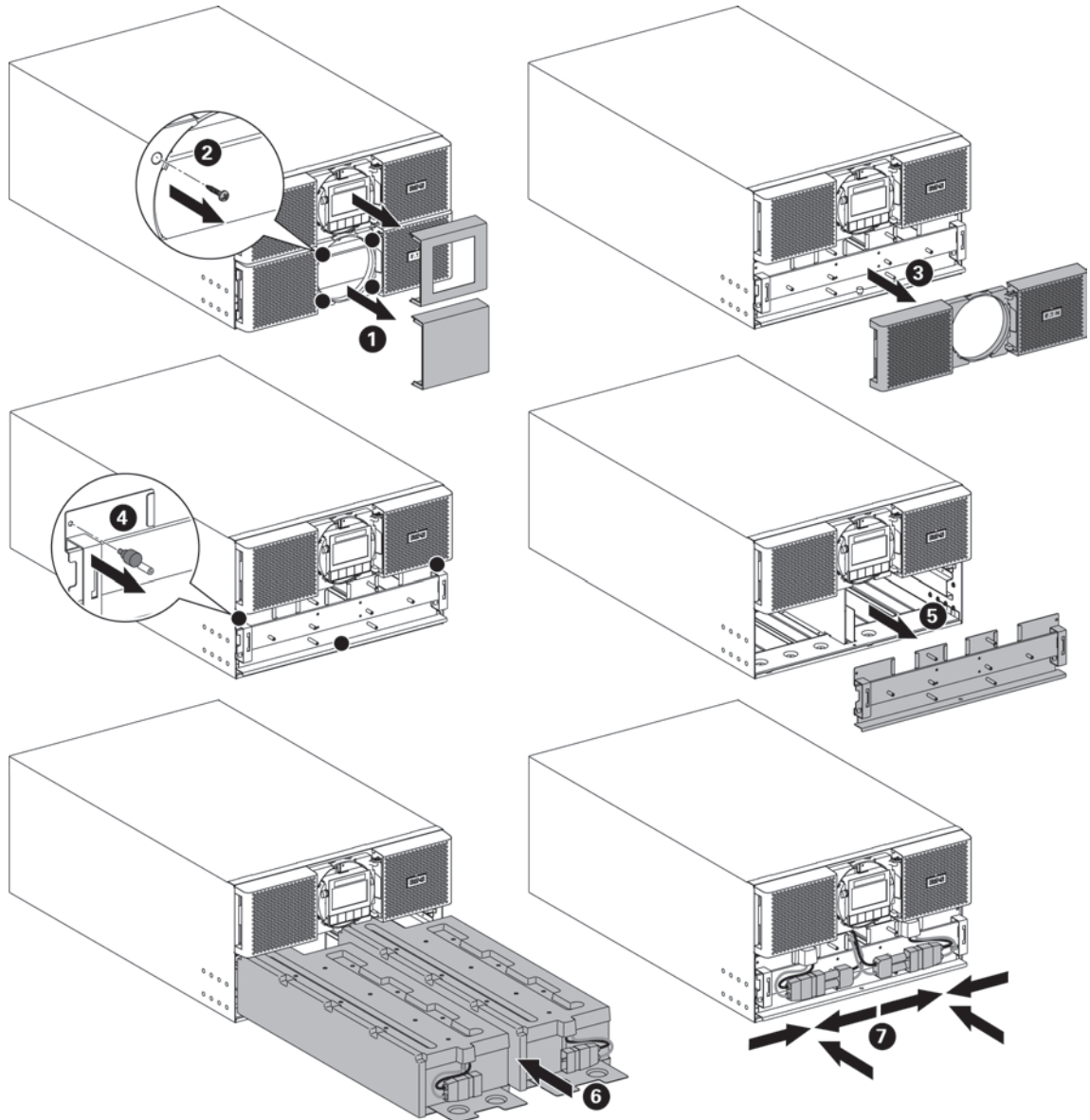
3.6 Conexión de la batería interna



No haga ningún cambio no autorizado en el SAI; de lo contrario, puede dañar su equipo e invalidar la garantía. No conecte el SAI a la red hasta que la instalación esté completa.

Para realizar este paso se requieren dos operarios de servicio, ya que el SAI y la batería interna tienen un peso elevado.

| Descripción | Pesos (lb/kg) |
|--|---------------|
| 9PX 8K SP/9PX 10K SP 9PX 6K SP sin batería interna | 91 / 41 |
| 9PX 8K SP/9PX 10K SP batería interna | 67.3 / 30.5 |



emparejarse a cualquiera de las dos baterías.

- Monte el SAI en el rack.
- Retire la cubierta central del panel delantero.
- Retire los cuatro tornillos para poder abrir el lado izquierdo del panel delantero.
- Retire los tres tornillos para extraer la cubierta de protección metálica de la batería..
- Coloque la batería, vuelva a atornillar la cubierta de protección metálica, conecte la batería y vuelva a colocar el panel delantero; a continuación, encaje la cubierta central.



Puede producirse un pequeño arco eléctrico al conectar las baterías internas. Esto es normal y no causará daños personales. Conecte los cables de forma rápida y firme.

4. Instalación de los EBM(s)

4.1 Inspección del equipo

Si se hubiera dañado algún equipo durante el envío, guarde las cajas de transporte y los materiales de embalaje para el transportista o para el lugar de compra y presente una reclamación por daños en el envío. Si detectara daños después de la aceptación, presente una reclamación por daños ocultos.

Pasos a seguir para presentar una reclamación por daños en el envío o por daños ocultos:

1. Presente una reclamación al transportista en un máximo de 15 días tras la recepción del equipo
2. Envíe una copia de la reclamación de daños en un máximo de 15 días a su oficina de servicio local.



Consulte la fecha de recarga de la batería en la etiqueta de la caja del embalaje. Si la fecha ha expirado y las baterías no se han recargado nunca, no use el EBM. Contacte con su oficina de servicio local.

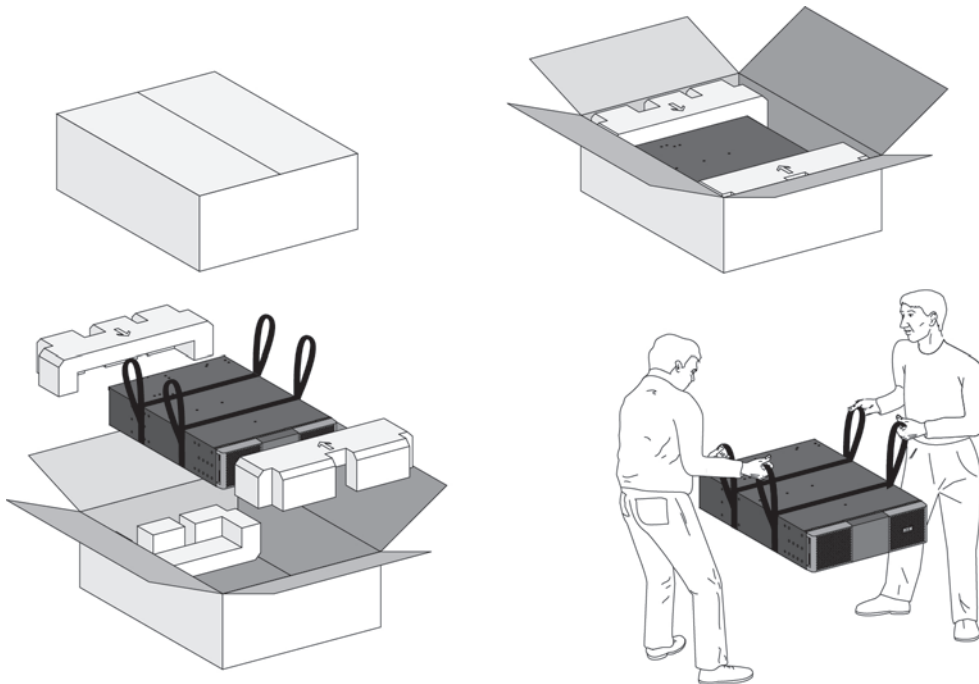
4.2 Desembalaje del armario



- Desembalar el armario en un entorno a baja temperatura puede provocar condensación dentro y sobre la unidad. No instale la unidad hasta que el interior y el exterior estén absolutamente secos (riesgo de cortocircuito eléctrico).
- La unidad es pesada (consulte "Pesos y dimensiones", página 43). Siga las precauciones especiales que aparecen en la página 4 y en el embalaje de cartón.

Desembale el equipo y extraiga todos los materiales de embalaje y las cajas de envío

Nota: No levante el EBM desde el panel frontal.



Desempaquetado de los EBM.

Deshágase o recicle el embalaje de manera responsable o guárdelo para un uso futuro.

Coloque la unidad en una zona protegida que tenga una ventilación adecuada y esté exenta de humedad, gases inflamables y corrosión.

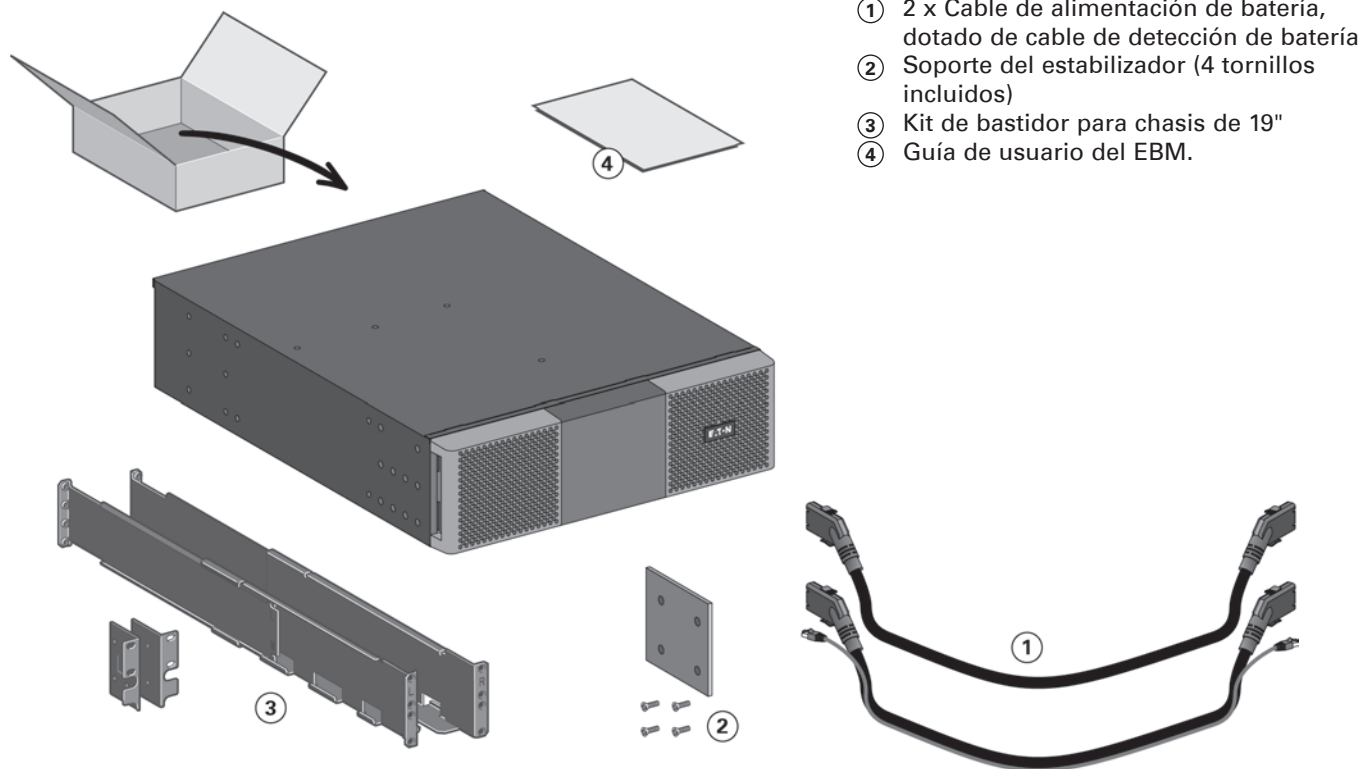


Los materiales de embalaje se deben desechar conforme a la normativa local sobre residuos. Los símbolos de reciclado están impresos en los materiales de embalaje para facilitar la selección.

4. Instalación de los EBM(s)

4.3 Comprobación del kit de accesorios

- Si ha pedido un (Módulo de extensión de la batería) EBM opcional, verifique que los artículos adicionales siguientes se incluyen con el EBM:



4. Instalación de los EBM(s)

4.4 Preparación de la instalación



Si ha pedido otros accesorios del SAI, consulte los manuales de usuario específicos para comprobar el procedimiento de instalación en bastidor con el SAI.

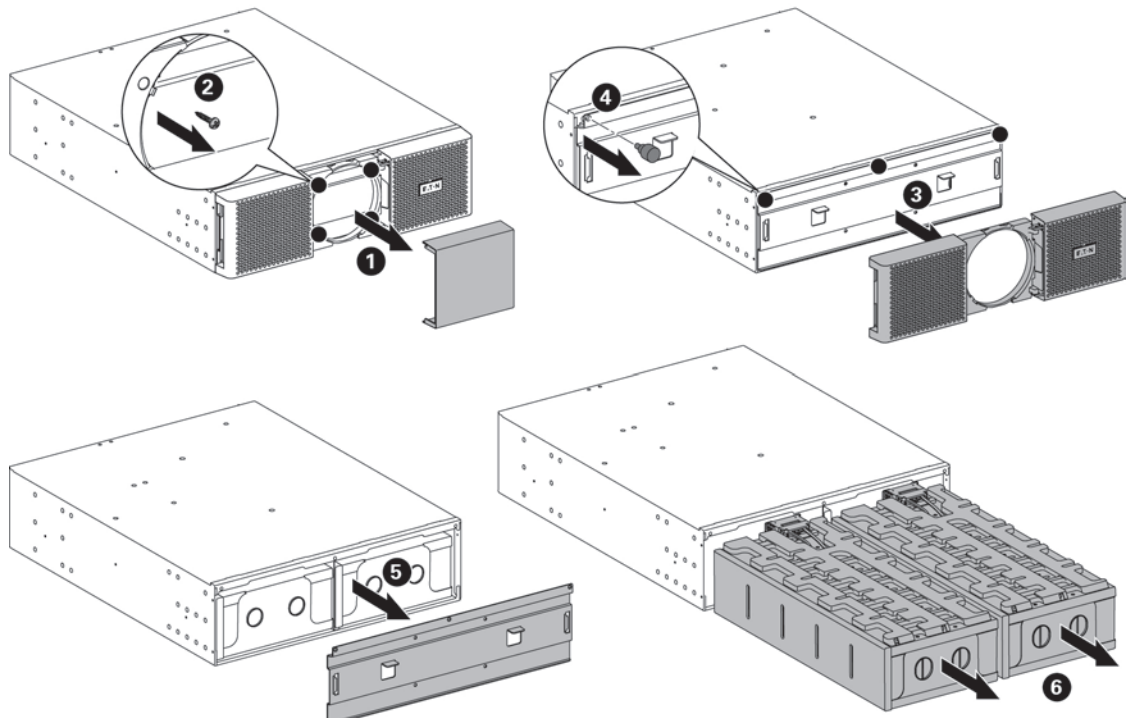
- Prepare el EBM para el montaje en bastidor



Para realizar este paso se requieren dos operarios de servicio.

El módulo de extensión de las baterías (EBM) es pesado.

| Descripción | Pesos (lb/kg) |
|-----------------------------------|---------------|
| 9PX EBM 360SP sin batería interna | 28.7 / 13 |
| 9PX EBM 360SP batería interna | 67.3 / 30.5 |



Para facilitar su montaje en bastidor, puede extraer el paquete de batería del EBM como se explica a continuación.

- Quite la cubierta central del panel frontal.
- Quite los cuatro tornillos para abrir el panel frontal.
- Quite los tornillos para extraer la cubierta protectora metálica de la batería.
- Tire del asa de plástico de los paquetes izquierdo y derecho de batería y deslícelos lentamente hacia fuera hasta colocarlos en una superficie plana y estable. Utilice las dos manos para sostener los paquetes de batería. Resérvelos para volver a instalarlos después de montar el EBM en bastidor.
- Monte el EBM en bastidor (consulte "Posición de rack", página 13).
- Vuelva a colocar los paquetes de batería, fije la cubierta protectora metálica y el panel frontal con los tornillos y, a continuación, acople la cubierta central.

4. Instalación de los EBM(s)

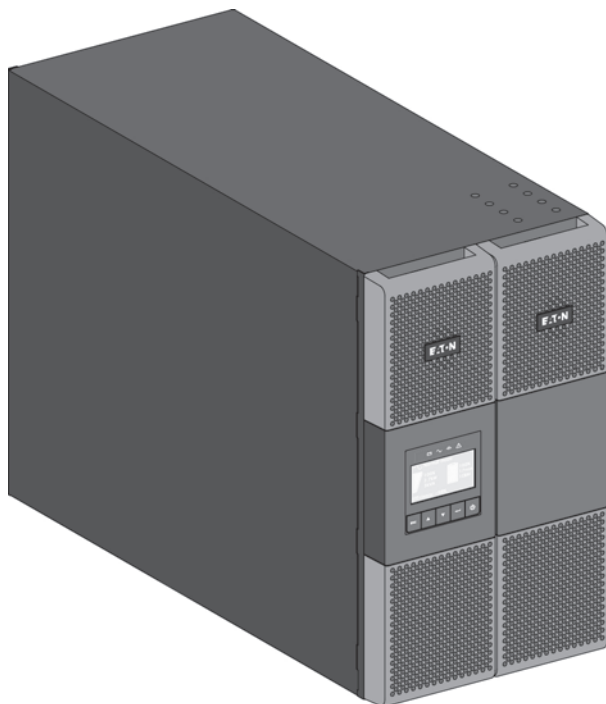
4.5 Posición de torre



Si ha pedido otros accesorios del SAI, consulte los manuales de usuario específicos para comprobar el procedimiento de instalación en torre con el SAI.

Para instalar el armario:

1. Coloque el SAI sobre una superficie estable y plana.
2. Procurar siempre que haya un espacio libre de 150 mm detrás del SAI.
3. Si está instalando armarios adicionales, colóquelos cerca del SAI.
4. Coloque los soportes de montaje para acoplar el EBM al módulo SAI.

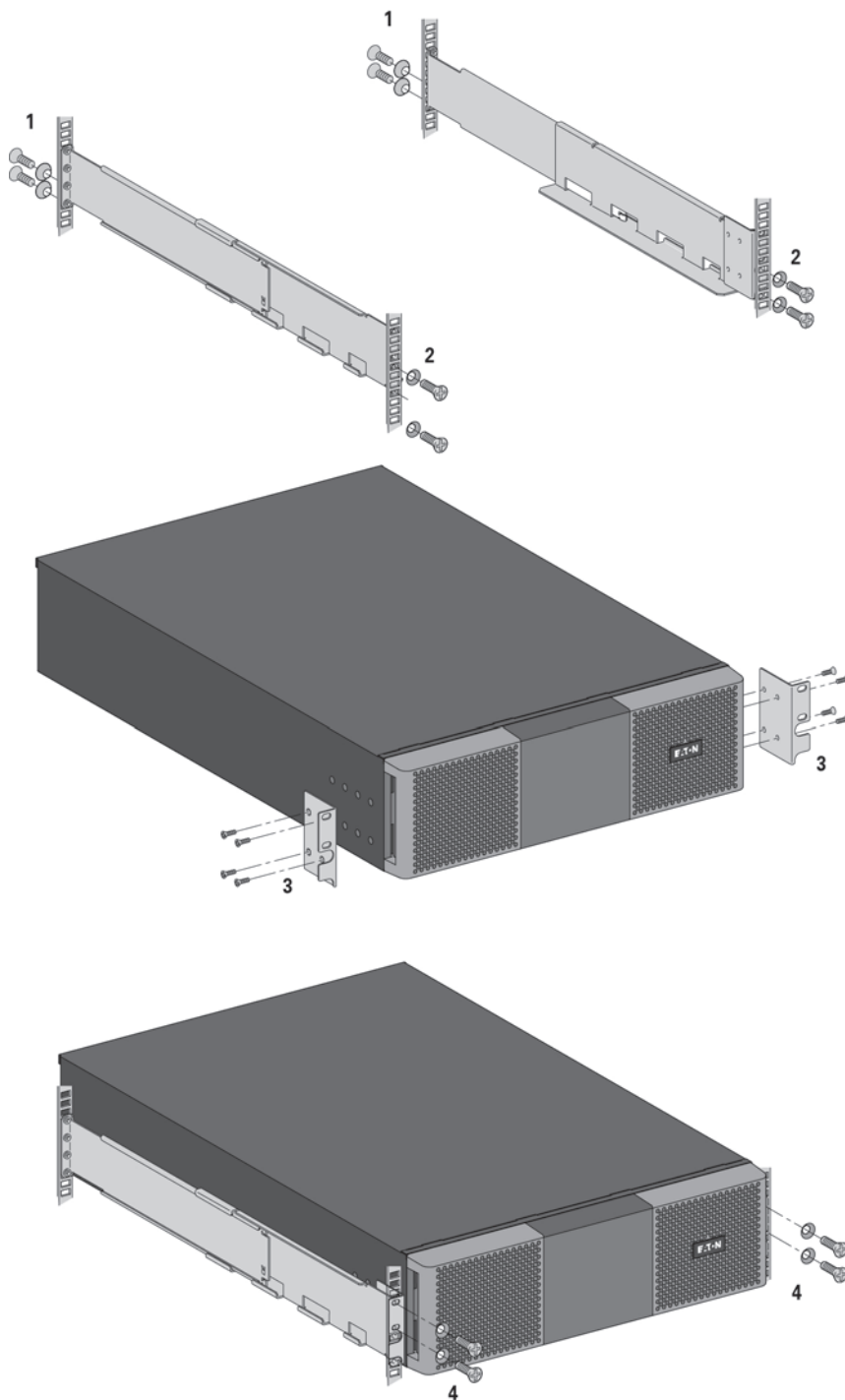


4. Instalación de los EBM(s)

4.6 Posición de rack

- Montaje del SAI y los módulos accesorios en bastidor.

Siga los pasos 1 - 4 para montar los módulos sobre los rieles.



Los rieles y el material necesario para el montaje son suministrados por EATON.

Si ha pedido otros accesorios del SAI, consulte los manuales de usuario específicos para comprobar el procedimiento de instalación en bastidor con el SAI.



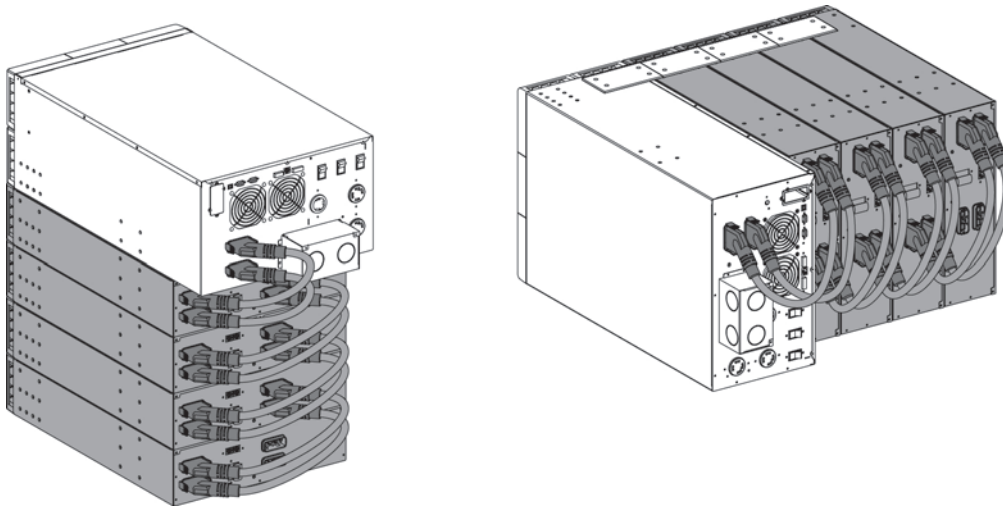
4. Instalación de los EBM(s)

4.7 Conexión de los EBM



Puede producirse un pequeño arco eléctrico al conectar un EBM al SAI. Esto es normal y no causará daños personales. Inserte el cable EBM en el conector de batería del SAI de forma rápida y firme.

1. Conecte los cables EBM al conector de las baterías tal. Se pueden conectar hasta 4 EBM al SAI.
2. Compruebe que las conexiones EBM estén ajustadas y que cada cable tenga el radio de flexión adecuado y se eviten tirones.
3. Conecte los cables de detección de la batería al conector del SAI y de los EBM.
4. Compruebe que el interruptor automático de protección de la batería se haya cambiado a la posición "I" (Encendido).



4.8 Conexión de los accesorios adicionales

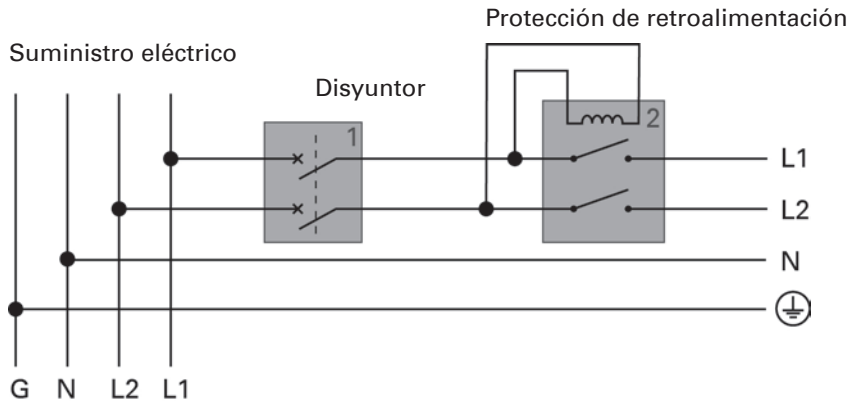


Si ha pedido otros accesorios del SAI, consulte los manuales de usuario específicos para comprobar el procedimiento de conexión al SAI.

5. Encendido de los cables de suministro

5.1 Requisitos para la instalación

Organos de protección y secciones de cables recomendados



Atención: No permita que pase el neutro a través del disyuntor o la retroalimentación.

1. Protección aguas arriba recomendada

| | Potencia nominal del SAI | Interruptor automático de protección aguas arriba |
|------------|--------------------------|---|
| 9PX 8K SP | 8000VA | D curva - 60A |
| 9PX 10K SP | 10000VA | D curva - 60A |

2. Protección de retroalimentación recomendada

Externamente a la entrada (input) principal del SAI debe instalarse uno de los siguientes interruptores de CA como dispositivo de protección frente a la retroalimentación. The following Eaton XCE050D contactors are recommended. Se recomiendan los siguientes interruptores Eaton XCE050D.

Tenga en cuenta que debe decidirse cuál es el interruptor adecuado basándose en la tensión de la ubicación.

| Interruptor de la serie EATON XTCE050D | | | | | | | | | | |
|--|-----------------|-------|---------|-----|-------------|-----|---------|-----|-------------|-----|
| Tensión nominal de bobina | | | Lectura | | Desenganche | | Lectura | | Desenganche | |
| | Número de pieza | Frec. | Min | Max | Min | Max | Min | Max | Min | Max |
| 208 | XTCE050D00D | 60 | 0,8 | 1,1 | 0,3 | 0,6 | 166 | 229 | 62 | 125 |
| 220 | XTCE050D00G | 60 | 0,8 | 1,1 | 0,3 | 0,6 | 176 | 242 | 66 | 132 |
| 240 | XTCE050D00B | 60 | 0,8 | 1,1 | 0,3 | 0,6 | 192 | 264 | 72 | 144 |

| Producto | Tipo | Clasificación |
|--------------|---------|------------------------------------|
| Moeller GMBH | DILM-50 | Uso general - 80A, 600VAC, 50/60Hz |

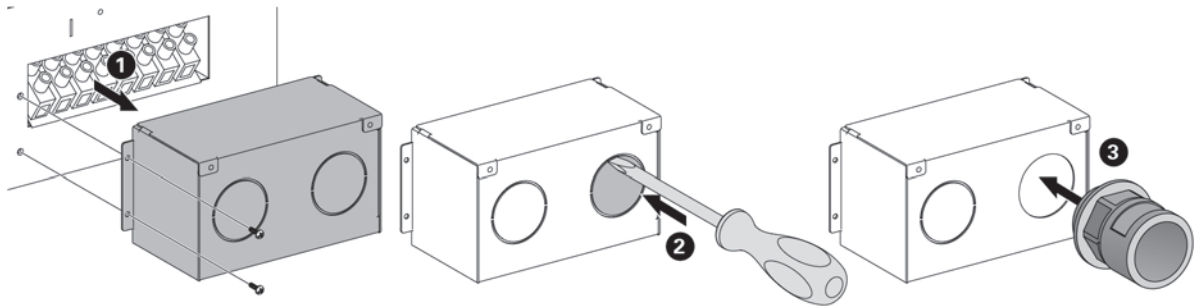
3. Tamaño de cable recomendado

| Posición de los terminales | Funciones del cableado | Calificación de tamaño del cableado terminal | Tamaño del cableado de entrada mínimo | Par de apriete |
|----------------------------|------------------------|--|---|--------------------|
| L1 | Fase | 8-4 AWG (10-25 mm ²) | 6 AWG (75°C) Para 9PX 8K SP 4 AWG (75°C) Para 9PX 10K SP | 18 lb in / 2.03 Nm |
| L2 | Fase | | | |
| N | Neutro | | | |
| ⊕ | Tierra | | | |

Cable de cobre, rígido o flexible.

5. Encendido de los cables de suministro

5.2 Acceso a los terminales de conexión



- Retire la cubierta protectora de los terminales de conexión (dos tornillos).
- Perfore los orificios e inserte los cables/conductos en ellos.



Fugas de corriente:

La conexión a tierra es esencial antes de conectar la alimentación.

5.3 Conexión de entrada/salida (input/output) cableada



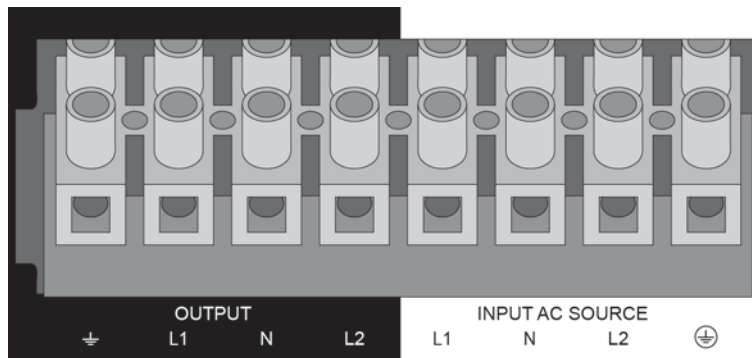
Estas conexiones deben ser realizadas por personal cualificado.

Antes de efectuar las conexiones, compruebe que los dispositivos de protección aguas arriba (red Input AC) estén abiertos (en posición "O" de apagado).

Conecte siempre el cable de toma de tierra en primer lugar.



Si solicita un bypass de mantenimiento externo como BPE20MBB1A, consulte el manual del usuario específico para obtener información sobre la conexión de los bloques de terminales del SAI con este accesorio.

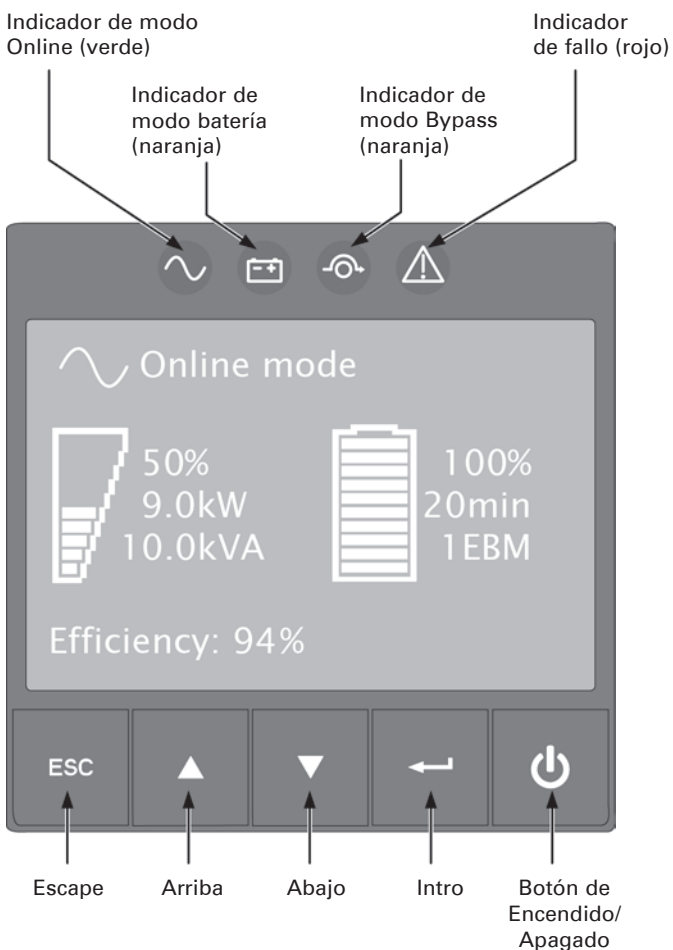


1. Insertar el cable de suministro de Input AC a través del prensa-estopas del cable.
2. Conectar los 4 cables en los bornes Input AC source.
3. Insertar el cable Output a través del prensaestopas del cable.
4. Conectar los 4 cables en los bornes Output.
5. Vuelva a poner los tornillos en la cubierta protectora.
6. Apriete los prensa-estopas del cable.

6. HMI (interfaz hombre-máquina) y ajustes

6.1 Panel de control

El SAI cuenta con una pantalla LCD gráfica de cinco botones. Facilita información sobre el propio SAI, su estado de carga, eventos, medidas y configuración.



La tabla siguiente recoge el estado del indicador y su descripción:

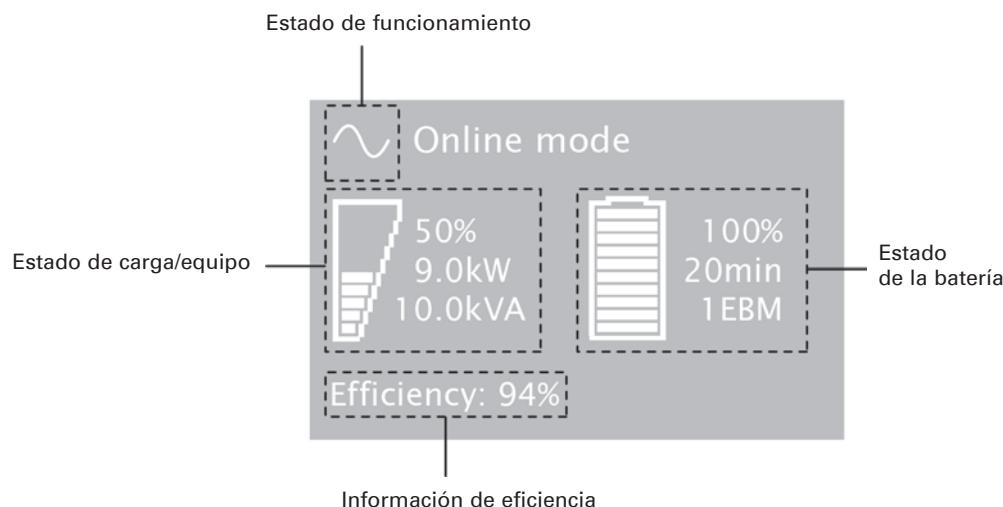
| Indicador | Estado | Descripción |
|-----------|-----------|---|
| Verde | Encendido | El SAI funciona normalmente o se encuentra en modo Online o Alta eficiencia. |
| Naranja | Encendido | El SAI está en modo batería |
| Naranja | Encendido | El SAI está en modo Bypass. |
| Rojo | Encendido | El SAI presenta una alarma o fallo. Consulte el apartado "Detección y solución de problemas", página 40 para más información. |

6. HMI (interfaz hombre-máquina) y ajustes

6.2 Descripción de la pantalla LCD








Después de cinco minutos de inactividad, la pantalla LCD muestra un salvapantallas.

La luz de fondo se atenúa automáticamente después de diez minutos de inactividad. Pulse cualquier botón para restablecer la pantalla.



La tabla siguiente describe la información de estado facilitada por el SAI.

Nota: si aparecen otros indicadores, consulte el apartado "Detección y solución de problemas", página 40 para más información.

| Estado de funcionamiento | Posible causa | Acción |
|--|--|--|
|  Modo de espera | El SAI está apagado. | El equipo no se alimenta hasta que no se presione el botón  . |
|  Modo Online | El SAI funciona normalmente. | El SAI está operativo y protege el equipo. |
|  Modo Batería 1 pitido cada 10 segundos | Se ha producido un fallo del suministro y el SAI está en modo Batería. | El SAI alimenta el equipo con la carga de la batería. Prepare su equipo para el apagado. |
|  Fin del tiempo de reserva 1 pitido cada 3 segundos | El SAI está en modo batería y casi no le queda carga. | Este aviso es aproximado y el tiempo real de apagado puede variar de forma significativa. En función de la carga del SAI y del número de módulos de batería extendida (EBM), el aviso de "Poca batería" puede aparecer antes de alcanzar el 20% de la capacidad. |
|  Modo Alta eficiencia | El SAI funciona en modo Alta eficiencia. | El SAI está operativo y protege el equipo. |
|  Modo Bypass | Se ha producido una sobrecarga o un fallo, o se ha recibido un comando y el SAI está en modo Bypass. | El equipo está encendido pero no está protegido por el SAI. |

6. HMI (interfaz hombre-máquina) y ajustes

6.3 Funciones de la pantalla

Pulse el botón Intro (↵) para activar las opciones de menú. Use los dos botones intermedios (▲ y ▼) para recorrer la estructura del menú. Pulse el botón Intro (↵) para seleccionar una opción. Pulse el botón ESC para cancelar o volver al menú anterior.


| Menú principal | Submenú | Información mostrada o función de menú |
|----------------------|---|---|
| Medidas | | [Total Load] W VA A PF / [Load phase 1 (N-L1)] W VA A PF / [Load phase 2 (N-L2)] W VA A PF / [Input/Bypass] V- L1 V- L2 Hz / [Total Output (L1-L2)] V Hz (N-L1)V (N-L2)V / [Efficiency] % / [Battery] % min V1 V2 / [DC bus] V / [Average power usage] Wh / [Cumulat. power usage] kWh since date |
| Control | Ir a Bypass/ Volver a Normal | Cambia el SAI al modo Bypass/ Cambia el SAI al modo Line |
| | Inicio test batería | Inicia una prueba manual de la batería |
| | Borrar fallos | Borra el fallo activo |
| | Rest. ajust. fábr. | Vuelve todos los ajustes a los valores originales |
| | Rest. energía med. | Borra la medición de consumo medio de energía |
| | Rest. energía acum. Test contactos secos | Borra la medición de consumo de energía acumulada Comprueba las salidas de relé de contacto seco |
| Ajustes | Ajustes locales | Determina los parámetros generales del producto |
| | Ajustes Entr./Sal. | Determina los parámetros de entrada y salida |
| | Ajustes ON/OFF | Determina las condiciones ON/OFF |
| | Ajustes batería | Define la configuración de la batería |
| Historico de eventos | Filtrado de eventos | Selecciona los fallos, alarmas o eventos que se mostrarán |
| | Lista de eventos | Muestra los eventos almacenados |
| | Borrar lista eventos | Borra los eventos |
| Histórico de fallos | Listado de fallos | Muestra los fallos almacenados |
| | Borrar lista fallos | Borra los fallos |
| Identificación | | [Tipo producto/modelo] / [Cod.Prod./Num serie] / [SAI/NMC firmware] / [Dirección IPv4], [Dirección IPv6], [Dirección MAC] / [Accesorios detectados] |
| Registre su producto | | Enlaza con el sitio web de registro de Eaton |

6.4 Configuración ajustable por el usuario

La tabla siguiente describe las opciones que el usuario puede cambiar.

| | Submenú | Ajustes disponibles | Ajustes por defecto |
|--------------------|----------------------|--|--|
| Ajustes locales | Lenguaje | [English] [Français] [Deutsch] [Español] [Русский] [Português] [Italiano] Menús, estados, notificaciones y alarmas, fallo del SAI, registros de eventos y ajustes están en todos los idiomas. | [English] El usuario puede modificarlo la primera vez que se enciende el SAI. |
| | Formato fecha/hora | Formato: [Internacional] [US] | [US] |
| | LCD | Permite modificar el brillo y el contraste de la pantalla LCD y así adecuarlos a la iluminación de la estancia. | |
| | Alarma acústica | [Habilitar] [Batería desconectada] [Siempre desconectada] Permite activar o desactivar el aviso sonoro en caso de alarma. | [Habilitar] |
| Ajustes Entr./Sal. | Voltaje salida | [100V] [110V] [115V] [120V] [127V] Únicamente puede cambiarse en el modo Standby. | [120V] |
| | Frecuencia de salida | Convertor de frecuencia: [Habilitar] [Deshabili] Frecuencia seleccionable en el modo de convertor de frecuencia | [Deshabili] |
| | Modo salida | [Industrial] [Network] Establezca el comportamiento del SAI relacionado con la transferencia a Bypass | [Network] |
| | Histeresis V entrada | Establece la histeresis de la tensión de entrada entre 1 y 10 V | [10V] |
| | Modo alta eficiencia | [Habilitar] [Deshabili] Alimenta la salida desde Bypass para una alta eficiencia | [Deshabili] |

6. HMI (interfaz hombre-máquina) y ajustes

| | Submenú | Ajustes disponibles | Ajustes por defecto |
|---------------------------|----------------------|--|--|
| Ajustes Entr./Sal. | Prealarma sobrec. | [10%] ... [102%] Carga al % cuando se produce una alarma de sobrecarga | [102%] |
| Ajustes ON/OFF | Arranque por bats. | [Habilitar] [Deshabilitar] Permita al producto iniciarse con alimentación de la batería. | [Habilitar] |
| | Arranque forzado | [Habilitar] [Deshabilitar] Si la alimentación eléctrica se recupera durante una secuencia de apagado: Si está habilitado, se completará la secuencia de apagado y se esperará 10 segundos antes de reiniciar; Si está ajustado deshabilitado, la secuencia de apagado no se completará y el reinicio se realizará inmediatamente. | [Habilitar] |
| | Reinicio auto | [Habilitar] [Deshabilitar] Permite reiniciar el producto de forma automática cuando la electricidad vuelve tras una descarga completa de la batería. | [Habilitar] |
| | Auto arranque | [Habilitar] [Deshabilitar] El SAI se iniciará automáticamente en cuanto esté disponible la alimentación eléctrica (sin necesidad de pulsar el botón ). | [Deshabilitar] |
| | Ahorro de energía | [Deshabilitar] [100W] ... [1000W] Si está habilitado, el SAI se apagará a los 5 minutos del tiempo de reserva, si la carga es inferior al umbral. | [Deshabilitar] |
| | Modo reposo | [Habilitar] [Deshabilitar] Si está deshabilitado, la pantalla LCD y la comunicación se desactivarán inmediatamente después de que se apague el SAI. Si está habilitado, la pantalla LCD y la comunicación permanecen activadas 1 hora y 30 minutos después de que se apague el SAI. | [Habilitar] |
| | Comando remoto | [Habilitar] [Deshabilitar] Si está habilitado, se permiten los comandos de apagado o reinicio desde el software. | [Habilitar] |
| | Bypass en espera | [Habilitar] [Deshabilitar] Defina si la salida está alimentada desde Bypass en modo Espera. | [Deshabilitar] |
| | Marcha/Parada remoto | Si está configurado para bypass para MBP, el SAI pasará a bypass estático forzosamente cuando se lo indique el MBP para que la transferencia sea segura. Si está configurado en Habilitado, el SAI puede cerrarse o iniciarse mediante el encendido o el apagado remoto. | [Bypass para MBP] |
| Ajustes batería | Test autom. batería | En el modo de carga constante: [Sin test] [Diario] [Semanal] [Mensual] En el modo de ciclos ABM: [Sin test] [En cada ciclo ABM] | [En cada ciclo ABM] |
| | Alarma batería baja | [0%] ... [100%] La alarma se activa cuando se alcanza el porcentaje de la capacidad de batería definido durante un tiempo de reserva. | [20%] |
| | Nivel reinicio batt | [0%] ... [100%] Si se define, el reinicio automático se producirá solo cuando se alcance el porcentaje del nivel de carga de la batería. | [0%] |
| | Modo carga batería | [Ciclos ABM] [Carga constante] | [Ciclos ABM] |
| | Batería externa | [Auto detección] [Ajuste manual EBM] [Ajuste manual batt.] [Sin batería] | [Auto detección] Con EBM estándar, el SAI detecta automáticamente el número de EBM conectados |
| | Prot. descarg. prof. | [Si] [No] Si se activa, el SAI evitará automáticamente que la batería se descargue mucho al adaptar el umbral de tensión del fin del tiempo de reserva. La garantía queda anulada si se establece en No. | [Si] |

7.1 Encendido y apagado del SAI








Si solicita un bypass de mantenimiento externo como BPE20MBB1A, consulte el manual del usuario específico para obtener información sobre los pasos para la puesta en marcha del SAI con este accesorio.

Encendido del SAI



Verifique que los consumos nominales totales de los equipos no excedan la capacidad del SAI para evitar una alarma de sobrecarga.

Para iniciar el SAI:

1. Verifique que los EBM están conectados al SAI. Consulte "Conexión de la batería interna", página 14.
2. Si hay instalados EBM opcionales, verifique que los EBM están conectados al SAI. Ver "Conexión de los EBM", página 20.
3. Verifique que los bloques de terminales del SAI están conectados a la red AC.
4. Coloque el interruptor automático de protección aguas arriba (no suministrado) en la posición "I" (Encendido) para activar la corriente eléctrica. El panel frontal del SAI se ilumina y aparece el logo de EATON.
5. Compruebe que en la pantalla de estado del SAI aparece , pulse el botón  para iniciarlo.
6. Pulse el botón  del panel frontal del SAI durante al menos 3 segundos.
El estado del panel frontal del SAI cambia a "Inicio de SAI...".
7. Esté atento al panel delantero del SAI por si hay alarmas o notificaciones. Resuelva las alarmas activas antes de seguir. Consulte el apartado "Detección y solución de problemas", página 40.
Si el indicador  está encendido, no siga hasta que se hayan resuelto todas las alarmas. Compruebe el estado del panel delantero del SAI para ver las alarmas activas. Corrija las y reinicie si fuera necesario.
8. Compruebe que  el indicador permanece encendido, lo que indica que el SAI funciona normalmente y que la salida está alimentada.
El SAI debería estar en modo Online.



El EBM se cargan a un 90 % de su capacidad en menos de tres horas. Sin embargo Eaton recomienda cargar las baterías durante 48 horas después de la instalación o de un período de almacenamiento prolongado.

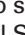

Encendido del SAI en batería



Antes de usar esta opción, el SAI debe haber sido encendido con alimentación de la red de suministro eléctrico y la salida debe haber sido activada por lo menos una vez.

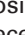
El encendido de la Batería puede estar desactivado. Consulte el ajuste de "Arranque por bats." en los ajustes de usuario en la página 26.

Para iniciar el SAI en batería:

1. Pulse el botón  del panel frontal del SAI hasta que la pantalla del panel frontal se ilumine y muestre el estado de "SAI arrancando...".
El SAI pasa de modo Espera a modo Batería. El indicador  se ilumina de forma continua.
El SAI proporciona alimentación a su equipo.
2. Esté atento al panel frontal del SAI por si hay alarmas o notificaciones. Resuelva las alarmas activas antes de seguir. Consulte "Detección y solución de problemas", página 40.
Compruebe el estado del SAI desde el panel frontal para ver las alarmas activas. Corrija las alarmas y reinicie si es necesario.

Apagado del SAI

Para apagar el SAI:

1. Pulse el botón  en el panel frontal del SAI. El SAI pasa entonces al modo Espera.
2. Coloque el interruptor automático de protección aguas arriba (no suministrado) en la posición "O" (Apagado) para cortar la corriente eléctrica.

7. Funcionamiento

7.2 Modos de funcionamiento


El panel frontal de Eaton 9PX indica el estado del SAI a través de los indicadores del SAI (consulte la página 25).

Modo Online

Durante el modo Online,  el indicador se ilumina de forma continua y el SAI se alimenta de la red de suministro eléctrico.


El SAI monitoriza y carga las baterías según se requiera y proporciona protección de alimentación filtrada para su equipo. Los ajustes opcionales de Alta eficiencia y los ajustes de Ahorro de energía minimizan la contribución de calor al entorno de la unidad. Consulte "Configuración ajustable por el usuario", página 25.

Modo Batería

Cuando el SAI está funcionando durante un corte de electricidad, la alarma suena una vez cada 10 segundos y el indicador  se ilumina continuamente. La energía necesaria la proporciona la batería. Cuando vuelve el suministro de la red eléctrica, el SAI vuelve al modo Normal mientras que la batería se carga. Si la capacidad se vuelve baja entando en modo Batería, el indicador parpadea despacio y la alarma audible suena una vez cada 3 segundos. Esta advertencia es aproximada y el tiempo real para el apagado puede variar significativamente.

Al apagarse el SAI, todas las aplicaciones en los equipos conectados se apagarán de forma inminente. Cuando se restaura la alimentación de la red de suministro eléctrico después de que el SAI se haya apagado, el SAI se vuelve a iniciar automáticamente.

Modo Bypass

En el caso de una sobrecarga del SAI o un fallo interno, el SAI pasa su equipo a la alimentación de la red de suministro eléctrico. El modo Batería no está disponible y su equipo no está protegido; sin embargo, la alimentación de la red de suministro eléctrico sigue siendo filtrada pasivamente por el SAI. El indicador  se ilumina.

En función de las condiciones de sobrecarga, el SAI permanece en modo Bypass durante al menos 5 segundos y permanecerá en este modo si se producen tres transferencias a Bypass en 20 minutos.

El SAI pasa a modo Bypass cuando:

- el usuario activa esse modo a través del panel frontal.
- el SAI detecta un fallo interno.
- el SAI tiene un estado de sobrettemperatura.
- el SAI tiene una condición de sobrecarga catalogada en "Salida eléctrica", página 44.



El SAI se apaga después de un retardo especificado para una condición de sobrecarga catalogada en "Salida eléctrica", página 44. El SAI sigue encendido para avisar del error.

Modo Alta eficiencia

En el modo High Efficiency (eficiencia elevada), el SAI funciona con normalidad en Bypass y pasa a modo Online (en línea) [o Battery (batería)] en menos de 10 ms cuando falla la utilidad. El paso a modo High Efficiency (eficiencia elevada) estará activo tras supervisar durante 5 minutos la tensión Bypass; si la calidad Bypass no se encuentra dentro de la tolerancia, el SAI permanecerá en modo Online (en línea).



Eaton recomienda utilizar el modo Alta eficiencia sólo para proteger los equipos informáticos.

Para configurar el modo de Alta eficiencia:

1. Ponga el SAI en Bypass; pulse cualquier botón para activar las opciones del menú, seleccione Control (comprobación) y Go to Bypass (ir a bypass).
2. A continuación pulse Escape y seleccione Settings (ajustes), ajustes In/Out y modo High Efficiency (eficiencia elevada).
3. Seleccione Habilitado y pulse Intro para confirmar.
4. El SAI cambia en el modo Alta eficiencia en 5 minutos.

Modo en espera

Cuando se apaga el SAI y permanece enchufado en una toma de corriente, el SAI está en modo en espera. Dependiendo de si el ajuste de Bypass Espera está activado, la salida está alimentada pero no protegida. La batería se recarga cuando es necesario y se alimentan los puertos de comunicación.

7.3 Transferir el SAI entre modos

De modo Online (o Batería) a modo Bypass. Pulse cualquier botón para activar el menú de opciones, luego seleccione Control e Ir a Bypass.

De modo Bypass a modo Online (o Batería). Pulse cualquier botón para activar el menú de opciones, luego seleccione Control e Ir a Normal.

7.4 Configuración de los ajustes de Bypass

Los siguientes ajustes están disponibles para configurar el funcionamiento en Bypass.

Transferir a Bypass cuando esté fuera de tolerancia

1. Pulse cualquier botón para activar el menú de opciones, después seleccione Ajustes, los ajustes Salida y finalmente Transferir a Bypass.
2. Seleccione Habilitado o Deshabilitado para Transferir si BP FUERA TOLERANCIA, y pulse Intro para confirmar. Si está activado, el SAI pasa a modo Bypass aunque la red Bypass AC esté fuera de tolerancia, en función del modo de salida. Si está desactivado, se apaga la salida del SAI.

Tiempo de interrupción

Este ajuste se muestra para definir la duración de la interrupción durante la transferencia a Bypass, sólo si está activada la transferencia fuera de tolerancia. Se puede seleccionar entre 10 ms o 20 ms.

7.5 Configuración de los ajustes de la batería

Ejecución de pruebas automáticas de la batería

Las pruebas automáticas de la batería se ejecutan cada 30 días en el modo de carga constante y en cada ciclo en el modo ABM. La frecuencia de las pruebas puede modificarse.

Durante la prueba, el SAI pasa al modo Batería y descarga las baterías durante 25 segundos bajo la carga existente.



No se indica que el SAI está en modo Batería ni se activa la alarma de batería baja durante una prueba de la batería.

La prueba de la batería puede cancelarse o fallar si se encuentra en unas malas condiciones.

Advertencia batería baja

Durante la descarga, la alarma de batería baja se activa si la capacidad de la batería es inferior al 20%. Este umbral puede modificarse.

Configuración de baterías externas

El número de Módulos de extensión de la batería se detecta automáticamente o puede definirse manualmente en número de EBM o en amperio/hora.

Protección contra descargas profundas

Este ajuste está recomendado para evitar el deterioro de la batería. La garantía queda invalidada si la protección contra descargas profundas está deshabilitada.

7. Funcionamiento

7.6 Extracción del histórico de eventos

Para extraer el histórico de eventos a través de la pantalla:

1. Pulse cualquier botón para activar el menú de opciones, después seleccione histórico de Eventos
2. Desplácese por la lista de eventos.

7.7 Extracción del histórico de fallos

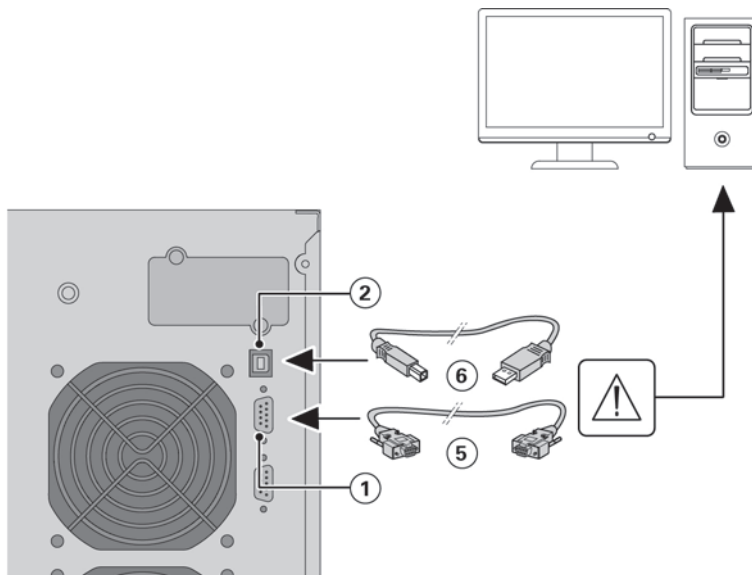
Para extraer el histórico de fallos a través de la pantalla:

1. Pulse cualquier botón para activar las opciones del menú y después seleccione Histórico de fallos.
2. Desplácese por la lista de fallos.

8.1 Puertos de comunicación

• Puerto de comunicación RS232 o USB

El puerto de comunicación RS232 y el puerto de comunicación USB no pueden funcionar de forma simultánea.



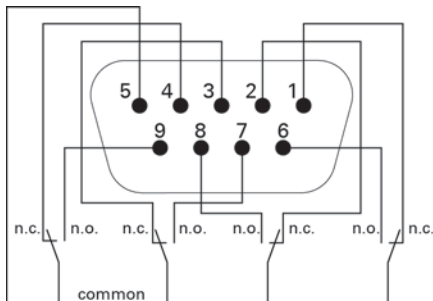
1. Conectar el cable de comunicación RS232 ⑤ o USB ⑥ al puerto serie o al puerto USB del equipo informático.

2. Conectar la otra extremidad del cable de comunicación ⑤ o ⑥ al puerto de comunicación RS232 ① o USB ② del SAI.

El SAI ya podrá dialogar con un software de administración, de personalización o de seguridad EATON.

• Contactos de salida de relé

El SAI dispone de cuatro salidas de relé; cada información está disponible a través de un contacto abierto o cerrado.



Información activa de estado: (si el contacto entre el pin y el común está cerrado)

- Pin 1: no en Bypass
- Pin 2: carga no protegida
- Pin 3: no en batería baja
- Pin 4: no en Batería
- Pin 5: común de usuario
- Pin 6: en Bypass
- Pin 7: batería baja
- Pin 8: carga protegida
- Pin 9: en Batería
- n.a.: contacto normalmente abierto
- n.c.: contacto normalmente cerrado




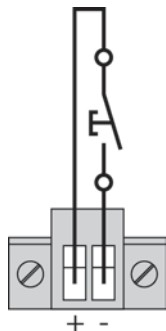
Los contactos de salida de relé no deben conectarse a ningún circuito conectado a una red de suministro eléctrico.

Se requiere un aislamiento reforzado para la red de suministro eléctrico. Los contactos de salida de relé tienen unos valores nominales máximos de 250 Vac/5 A.

8. Comunicación

- **Marcha/parada a distancia (ROO)**

La función Marcha/parada a distancia permite la acción remota del botón  para encender/apagar el SAI.



Normalmente abierto

Cuando el contacto cambia de abierto a cerrado, el SAI se enciende (o permanece encendido).
Cuando el contacto cambia de cerrado a abierto, el SAI se apaga (o permanece apagado).



El control de encendido/apagado a través del botón  tiene prioridad sobre el control a distancia.

El encendido o el apagado remoto no está habilitado como ajuste predeterminado y debe habilitarse en el menú.

- **Desconexión Remota (RPO)**

RPO se utiliza para desconectar el SAI a distancia. Esta característica se utiliza para desconectar la carga y el SAI mediante un relé térmico, por ejemplo en caso de que suba la temperatura de la estancia. Cuando se activa el RPO, el SAI desconecta de inmediato la corriente de salida y todos sus convertidores de potencia. El SAI permanece encendido para avisar en caso de fallo.



El circuito RPO es un circuito de tensión extra baja de seguridad IEC 60950 (SELV). Este circuito debe separarse de cualquier circuito de tensión peligrosa por medio de aislamiento reforzado.



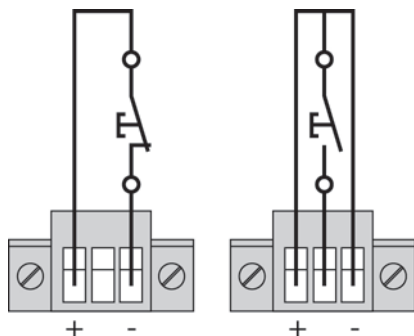
- El RPO no debe conectarse a los circuitos conectados a ninguna red. Se requiere reforzar el aislamiento de la red. El interruptor RPO debe tener un nivel mínimo de 27 Vcc y 20 mA y debe ser un interruptor de tipo latching no unido a ningún otro circuito. La señal de RPO debe permanecer activa durante al menos 250 ms para que funcione correctamente.
- Para garantizar que el SAI interrumpa el suministro de energía durante cualquier modo de funcionamiento, la corriente de entrada debe desconectarse del SAI cuando esté activada la función de apagado remoto.



Deje el conector RPO instalado en el puerto de RPO del SAI, incluso cuando no sea necesaria la función RPO.

Conexiones RPO:

Alimentación interna

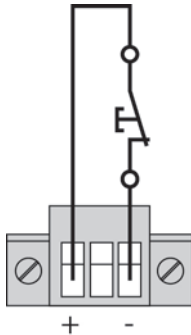


Normalmente cerrado Normalmente abierto

La calificación de tamaño del cableado terminal es 0,32-4 mm² (22-12 AWG).
El tamaño de cableado sugerido es 0,82 mm² (18 AWG).

Conexión y comprobación del control remoto

1. Compruebe que el SAI esté apagado y que la red de suministro eléctrico esté desconectada.
2. Retire el conector de RPO del SAI extrayendo los tornillos
3. Conecte un contacto sin tensión normalmente cerrado entre las dos púas del conector.



Normalmente cerrado

Contacto abierto: apagado del SAI

Para regresar al funcionamiento normal, desactive el contacto de apagado remoto externo y reinicie el SAI desde el panel frontal.

4. Introduzca el conector de RPO en la parte trasera del SAI y apriete los tornillos.
5. Conecte y reinicie el SAI de acuerdo con los procedimientos descritos anteriormente.
6. Active el contacto de apagado remoto externo para comprobar la función.



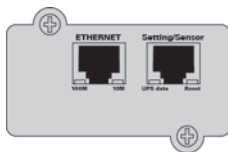
Compruebe siempre la función de RPO antes de aplicar su carga crítica para evitar la pérdida accidental de la carga.

- **Tarjetas de conectividad**

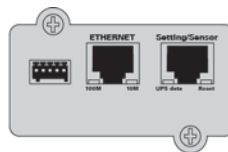
Las tarjetas de conectividad permiten al SAI comunicarse en diversos entornos de red y con diferentes tipos de dispositivos. Los modelos 9PX tienen una ranura de expansión disponible para las siguientes tarjetas de conectividad:

- **Network-MS card (standard)** - tiene capacidades SNMP y HTTP así como monitorización a través de una interfaz con buscador web; se conecta con una red Ethernet. Además, puede conectarse un Sonda de monitorización del entorno Powerware para obtener información sobre humedad, temperatura, alarma de humos y seguridad.
- **Modbus-MS card** - tiene conexión al protocolo Modbus además de una gestión de red.
- **Relay-MS card** - tiene salidas de relé de contacto seco aislado (Forma-C) para el estado del SAI: Fallo del suministro de alimentación eléctrica, batería baja, alarma del SAI/OK, Modo Bypass activado.

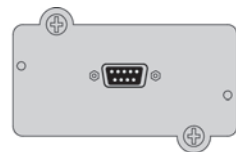
Consulte "Instalación de las tarjetas de comunicación", página 34 para conocer la ubicación del módulo de comunicación.



Network-MS card (standard)



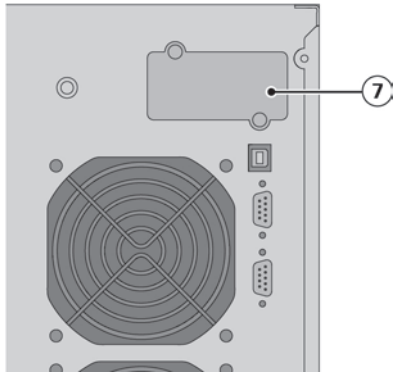
Modbus-MS card



Relay-MS card

8. Comunicación

Instalación de las tarjetas de comunicación



No será necesario parar el SAI para instalar la tarjeta de comunicación:

1. Quitar la placa protectora ⑦ del SAI fijada con tornillos.
2. Insertar la tarjeta de comunicación en el emplazamiento previsto.
3. Fijar la placa protectora de la tarjeta con los tornillos.

8.2 Paquete de Software de Gestión de Energía Eaton

Cada SAI 9PX incluye el Paquete de Software de Gestión de Energía de Eaton. Para comenzar la instalación Software Powerware LanSafe consulte las instrucciones que acompañan al CD del paquete de software.

El paquete de software Eaton proporciona gráficos actualizados de la energía y de los datos del sistema del SAI y del flujo de energía.

También le facilita un histórico completo de los eventos de alimentación críticos y le notifica información importante sobre el SAI o la alimentación. En caso de corte de corriente y si baja el nivel de carga de la batería del SAI 9PX el paquete de Software Eaton puede apagar automáticamente el sistema de su ordenador antes de que se produzca el apagado del SAI.

9.1 Cuidado del equipo

Para llevar a cabo el mejor mantenimiento preventivo, mantenga el área del SAI limpia- de polvo. Si el ambiente tiene mucho polvo, limpie la parte exterior del sistema con un aspirador. Para que la batería funcione plenamente, mantenga el equipo a una temperatura ambiente de 77°F (25°C).



Si el SAI requiere cualquier tipo de transporte, verifique que el SAI está desenchufado y apagado.

Las baterías del SAI están previstas para una duración de 3 a 5 años. El tiempo de la vida útil varía, dependiendo de la frecuencia del uso y de la temperatura ambiente. Las baterías utilizadas más tiempo del previsto tendrán tiempos de funcionamiento muy limitados. Reemplace las baterías por lo menos cada 4 años para que las unidades se mantengan en perfecto estado.

9.2 Almacenamiento del equipo

Si almacena el SAI durante un largo periodo de tiempo, recargue la batería cada seis meses conectando el SAI a la red de suministro eléctrico. El EBM se cargan a un 90 % de su capacidad en menos de tres horas.

Sin embargo, Eaton recomienda que la batería se cargue durante 48 horas después de un tiempo de almacenamiento prolongado.

Consulte la fecha de recarga de la batería en la etiqueta de la caja del embalaje. Si la fecha ha pasado y las baterías nunca se han recargado, no las utilice. Póngase en contacto con el servicio técnico.

9.3 Cuándo cambiar las baterías

Cuando aparezca la pantalla de sustitución de baterías, se recomienda reemplazarlas. Póngase en contacto con su oficina de servicio local para realizar el pedido de nuevas baterías.



9. Mantenimiento del SAI

9.4 Sustitución de las baterías



NO DESCONECTE las baterías mientras el SAI está en modo Batería.

Las baterías puede ser fácilmente sustituidas sin apagar el SAI ni desconectar la carga. Si los operarios de servicio prefieren retirar la entrada de alimentación para cambiar las baterías, consulte "Apagado del SAI" en la página 27.



Tenga en cuenta todas las advertencias, medidas de precaución y notas antes de cambiar las baterías.

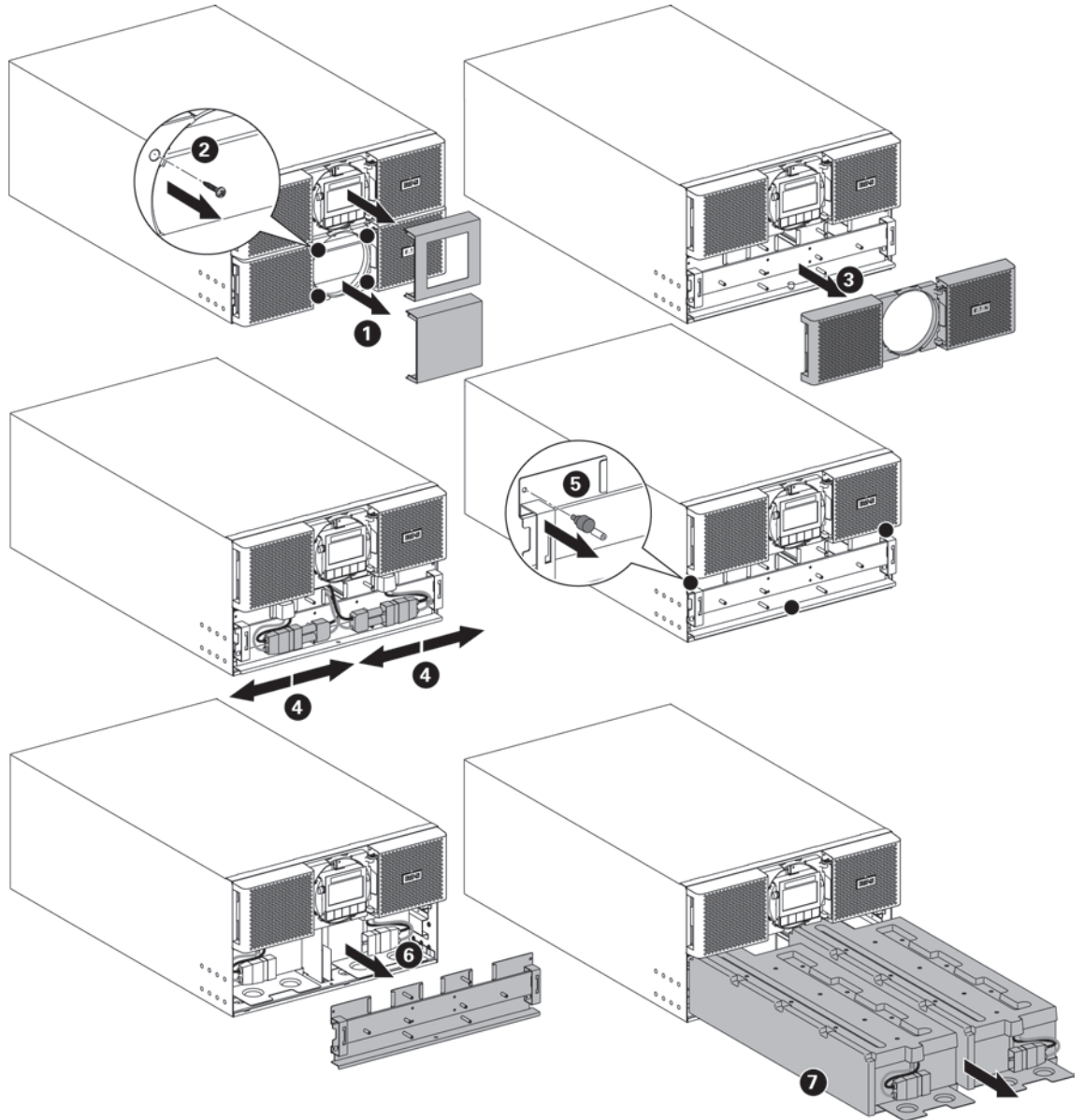
- La reparación debe ser realizada por personal cualificado que conozca las baterías y las precauciones necesarias. No permita que personal no autorizado entre en contacto con las baterías
- Las baterías pueden presentar un riesgo de descarga o quemarse por una corriente de cortocircuito demasiado alta. Cumpla las siguientes medidas de precaución:
 1. Quítese los relojes, anillos y otros objetos metálicos,
 2. Utilice herramientas con mangos aislados,
 3. No ponga herramientas o piezas de metal encima de las baterías,
 4. Lleve guantes de goma y botas.
- Al cambiar las baterías, sustitúyalas con el mismo tipo y número de baterías o paquetes de baterías. Póngase en contacto con su oficina de servicio local para realizar el pedido de nuevas baterías.
- Se requiere desechar correctamente las baterías. Consulte sus normativas locales para conocer los requisitos de eliminación.
- No tire nunca las baterías al fuego. Las baterías pueden explotar si se exponen al fuego.
- No abra ni rompa las baterías. La liberación de electrolitos es dañina para la piel y los ojos y puede ser extremadamente tóxica.
- Determine si las baterías han sido puestas a tierra fortuitamente. Si ésto ha sucedido, retire la fuente de puesta a tierra. El contacto con cualquier parte de una batería con toma a tierra puede provocar un cortocircuito eléctrico. La posibilidad de tal cortocircuito puede ser reducida si se retiran las tomas a tierra durante la instalación y el mantenimiento (aplicable al equipamiento y a las baterías remotas que no tengan un circuito de alimentación con toma de tierra).
- **RIESGO DE ENERGÍA ELÉCTRICA.** No trate de alterar ningún cable ni conector de la batería. Tratar de alterar el cableado puede causar daños.
- Desconecte la carga antes de conectar o desconectar las terminales de la batería.

• Sustitución de la batería interna del SAI



La batería interna es pesada. Tenga cuidado al manipular las baterías pesadas.

| Descripción | Pesos (lb/kg) |
|----------------------------|---------------|
| 9PX 8K SP batería interna | 67.3 / 30.5 |
| 9PX 10K SP batería interna | 67.3 / 30.5 |



Para sustituir el paquete de batería:

- Retire las dos cubiertas centrales del panel delantero.
- Retire los cuatro tornillos para extraer el panel delantero.
- Quite los dos tornillos para extraer la cubierta protectora metálica de la batería.



Un cable de cinta conecta el panel de control LCD al SAI. No tire del cable ni lo desconecte.

- Tire del asa de plástico del paquete de la batería y deslícelo lentamente hacia fuera hasta colocarlos en una superficie plana y estable. Utilice las dos manos para sostener el paquete de batería. Consulte "Reciclado del equipo usado", página 39 para un reciclaje apropiado.
- Compruebe que las baterías de sustitución tienen la misma clasificación que las baterías que se van a reemplazar.
- Coloque el nuevo paquete de batería en el SAI. Empuje el paquete de batería con firmeza para garantizar una correcta conexión.
- Fije la cubierta protectora metálica y el panel frontal con los tornillos y, a continuación, acople la cubierta central.
- A continuación, consulte "Probar baterías nuevas", página 38.

9. Mantenimiento del SAI

• Cambio EBM(s)

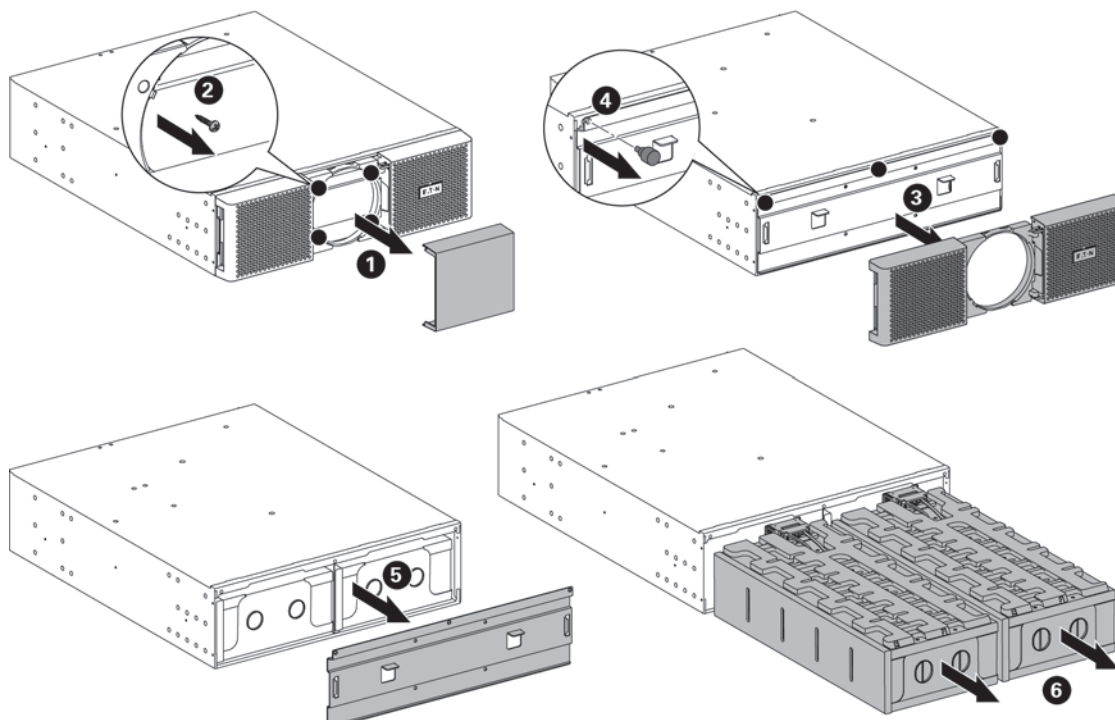


El EBM es pesado. Levantar el armario requiere la colaboración de un mínimo de dos operarios de servicio.

| Descripción | Pesos (lb/kg) |
|------------------------------------|---------------|
| 9PX EBM 360 SP | 163.2 / 74 |
| 9PX EBM 360 SP sin batería interna | 28.7 / 13 |
| 9PX EBM 360K SP batería interna | 67.3 / 30.5 |

Para sustituir el EBM:

1. Desconecte el cable de suministro eléctrico del EBM y el cable de detección de la batería del SAI. Si hay EBM adicionales instalados, desconecte el cable de suministro eléctrico del EBM y el cable de detección de la batería de cada EBM.



Para sustituir el EBM fácilmente:

Puede retirar la batería del EBM tal y como se explica más abajo.

- Quite la cubierta central del panel frontal.
 - Quite los cuatro tornillos para abrir el lateral izquierdo del panel frontal.
 - Quite los tres tornillos para extraer la cubierta protectora metálica de la batería.
 - Tire del asa de plástico del paquete de la batería y deslícelo lentamente hacia fuera hasta colocarlos en una superficie plana y estable. Utilice las dos manos para sostener el paquete de batería.
2. Sustituya los EBM. Consulte "Reciclado del equipo usado", página 39 para un reciclaje apropiado.



Puede producirse un pequeño arco eléctrico al conectar las baterías internas.

Esto es normal y no causará daños personales. Conecte los cables de forma rápida y firme.

3. Conecte los cables EBM al conector de la batería tal. Se pueden conectar hasta 4 EBM al SAI.
4. Compruebe que las conexiones EBM estén ajustadas y que cada cable tenga el radio de flexión adecuado y se eviten tirones.
5. Conecte los cables de detección de la batería al conector del SAI y de los EBM.

• Probar baterías nuevas

Para probar baterías nuevas:

1. Cargue las baterías durante 48 horas.
2. Pulse cualquier botón para activar las opciones del menú.
3. Seleccione CONTROL y luego INICIAR PRUEBA DE BATERÍA.
El SAI inicia la prueba de la batería si las baterías están cargadas al completo, el SAI está en modo Normal sin alarmas activas, y la tensión de Bypass es aceptable.
Durante la prueba de la batería, el SAI pasa al modo Batería y descarga las baterías durante 25 segundos. El panel frontal muestra "Test de batería en curso" y el porcentaje de la prueba completado.

9. Mantenimiento del SAI

9.5 Sustitución del SAI equipado con un bypass de mantenimiento

El bypass de mantenimiento permite a los técnicos de mantenimiento sustituir el SAI sin que las cargas conectadas se vean afectadas.

Consulte el manual del usuario correspondiente para obtener más información sobre el bypass de mantenimiento.

9.6 Reciclado del equipo usado

Contacte con su centro de reciclaje local para obtener información de cómo proceder con el reciclado del equipo usado.



- No tire las baterías al fuego. Las baterías pueden explotar. Se requiere desechar correctamente las baterías. Consulte sus normativas locales para conocer los requisitos de eliminación.
- No abra ni rompa las baterías. La liberación de electrolitos es dañina para la piel y los ojos. Puede ser tóxico.



Pb

No tire el SAI ni las baterías a la basura. Este producto contiene baterías estancas de plomo ácido y deben ser eliminadas adecuadamente. Si se precisa más información, póngase en contacto con el centro local de reciclaje/reutilización de residuos peligrosos.



No tire equipos eléctricos o electrónicos (WEEE) a la basura. Para deshacerse del equipo convenientemente, póngase en contacto con su centro local de reciclaje/reutilización de residuos peligrosos.

10. Detección y solución de problemas

El Eaton 9PX está diseñado para un funcionamiento duradero y automático y también le alerta de cualquier problema potencial que pudiera ocurrir. Normalmente las alarmas que se muestran en el panel de control no implican que la alimentación de salida se vea afectada. En realidad son alarmas preventivas cuyo objetivo es alertar al usuario.

- Los eventos son información de estado silenciosa que se registran en el Histórico de eventos. Ejemplo = "Frecuencia AC OK".
- Las alarmas se registran en el Histórico de eventos y se muestran en la pantalla de estado de LCD con el logotipo parpadeando.
Algunas alarmas se anuncian por un pitido cada 3 segundos. Ejemplo = "Batería baja".
- Las alarmas se anuncian mediante la emisión de un pitido continuo y el indicador rojo, se registran en el histórico de eventos, se muestran en el LCD con un cuadro de mensaje específico".
Ejemplo = Cortocircuito de salida.






Use la siguiente tabla de resolución de problemas para determinar la condición de la alarma del SAI.




10.1 Condiciones y alarmas típicas

Para comprobar el histórico de eventos o el histórico de fallos:

1. Pulse cualquier botón de la pantalla del panel frontal para activar las opciones del menú.
2. Pulse el botón ↓ para seleccione Histórico de eventos o Histórico de fallos.
3. Desplácese por la lista de eventos o fallos.

La siguiente tabla describe las alarmas y estados típicos.

| Condiciones | Posible causa | Acción |
|--|---|--|
|  Modo batería El LED está encendido. 1 pitido cada 10 segundos. | Ha ocurrido un error de suministro de la red eléctrica y el SAI está en el modo Batería. | El SAI está suministrando alimentación al equipo con la batería. Prepare su equipo para el apagado. |
|  Batería baja El LED está encendido. 1 pitido cada 3 segundos. | El SAI está en el modo Batería y la batería está baja. | Esta advertencia es aproximada y el tiempo real para el apagado puede variar significativamente. En función de la carga del SAI y el número de Módulos de extensión de la baterías (EBMs), la advertencia de "Batería baja" puede producirse antes de que las baterías alcancen el 20 % de su capacidad. |
|  Sin batería El LED está encendido. Pitidos continuos. | Las baterías están desconectadas. | Verifique que todas las baterías están conectadas correctamente. Si esta condición persiste, contacte con su oficina de servicio local. |
|  Fallo de batería El LED está encendido. Pitidos continuos. | El test de batería ha fallado debido a que las baterías están defectuosas o desconectadas, o se ha alcanzado la tensión mínima de la batería en el modo de ciclo ABM. | Verifique que todas las baterías están conectadas correctamente. Inicie un nuevo test de la batería: si esta condición persiste, contacte con su oficina de servicio local. |
| El SAI no proporciona el tiempo de respaldo esperado. | Las baterías necesitan cargarse o revisión. | Aplique alimentación de la red de suministro eléctrico durante 48 horas para cargar las baterías. Si esta condición persiste, contacte su oficina de servicio local. |
|  Modo Bypass El LED está encendido. | Se ha producido una sobrecarga o un fallo, o se ha recibido un comando y el SAI está en modo Bypass. | El equipo está encendido pero no está protegido por el SAI. Compruebe una de las siguientes alarmas: sobretensión, sobrecarga o fallo. |

| | | |
|--|--|--|
| <p>Sobrecarga</p>  <p>El LED está encendido. Pitidos continuos.</p> | <p>Los requerimientos de alimentación superan la capacidad del SAI (mayor que el 100 % del valor nominal; consulte la página 43 para conocer los rangos de sobrecarga de salida específicos).</p> | <p>Retire algunos de los equipos del SAI. El SAI sigue funcionando pero puede cambiar al modo Bypass o apagarse si la carga se incrementa. La alarma se reinicia cuando el estado se inactiva.</p> |
| <p>Exceso de temperatura</p>  <p>El LED está encendido. 1 pitido cada 3 segundos.</p> | <p>La temperatura interna del SAI es demasiado alta o el ventilador falla. En el nivel de advertencia, el SAI genera la alarma pero permanece en el estado de funcionamiento actual. Si la temperatura aumenta otros 10°C, el SAI pasa a modo de Bypass o se apaga si no se puede emplear el Bypass.</p> | <p>Si el SAI pasa a modo Bypass, volverá a su funcionamiento normal cuando la temperatura caiga hasta a 5 °C por debajo del nivel de advertencia. Apague el SAI si el estado persiste. Despeje los orificios de ventilación y retire cualquier fuente de calor. Permita que el SAI se enfríe. Asegúrese de que el flujo de aire alrededor del SAI no está restringido. Reinicie el SAI. Si el estado persiste, póngase en contacto con su oficina de servicio local.</p> |
| <p>El SAI no se enciende.</p> | <p>La red de entrada no está conectada correctamente.</p> | <p>Revise las conexiones de entrada.</p> |
| <p>Cableado de entrada incorrecto / cableado de salida incorrecto</p>  <p>El LED está encendido. Pitidos continuos.</p> | <p>Los cables de entrada/salida están no están conectados a los bloques de terminales correctos.</p> | <p>Conecte los cables de entrada/salida correctamente.</p> |
| <p>El interruptor de Desconexión Remota (RPO) está activo o falta el conector RPO.</p> | <p>El interruptor de Desconexión Remota (RPO) está activo o falta el conector RPO.</p> | <p>Si el menú de estado del SAI muestra el mensaje de "Desconexión Remota", desactive la entrada de RPO.</p> |

10. Detección y solución de problemas

10.2 Silenciar la alarma

Pulse el botón ESC (Escape) en la pantalla del panel frontal para silenciar la alarma. Revise el estado de la alarma y lleve a cabo la acción apropiada para resolver la situación. Si el estado de la alarma cambia, la alarma pita otra vez, anulando el silenciado anterior.

10.3 Servicio y soporte

Si tiene preguntas o cualquier problema con el SAI, póngase en contacto con su **Distribuidor Local** o con su oficina de servicio local para solicitar un representante técnico para el SAI.

Tenga la siguiente información preparada cuando llame para solicitar servicio:

- Número de modelo
- Número de serie
- Número de versión del firmware
- Fecha del fallo o problema
- Síntomas del fallo o problema
- Dirección de devolución del cliente e información de contacto

Si se requiere una reparación, se le dará un Número de autorización de material devuelto (AMD). Este número debe aparecer en la parte externa del paquete y en el albarán (B/L), si existe. Use el embalaje original o pida un embalaje al servicio de soporte técnico o a su distribuidor. Las unidades dañadas en el transporte como resultado de un empaquetado incorrecto no están cubiertas por la garantía. Se enviará una unidad de sustitución o reparada, con el transporte pagado para todas las unidades en garantía.



Para las aplicaciones críticas, estará disponible un equipo de sustitución inmediata. Llame al **Servicio de atención al usuario** para localizar al distribuidor o vendedor más cercano a usted.

11.1 Especificaciones de modelos

Tabla 1. Lista de modelos de SAI

| Modelo | Calificaciones de potencia |
|----------|---|
| 9PX8KSP | 8000VA / 7200W a una salida de 120/208V, 100/200V, 110/220V, 115/230V, 120/240V, 127/220V |
| 9PX10KSP | 8000VA / 7200W a una salida de 100/200V |
| | 9000VA / 8100W a una salida de 110/220V |
| | 10000VA / 9000W a una salida de 120/208V, 115/230V, 120/240V, 127/220V |

Tabla 2. Listado de modelos de Módulos de Extensión de batería

| Modelo | Configuración | Tensión de la batería | Para calificaciones de potencia |
|-------------|------------------|-------------------------|---------------------------------|
| 9PXEBM360SP | Bastidor / Torre | 360Vdc (± 180 Vdc) | 8000VA y 10000VA |

Tabla 3. Pesos y dimensiones

| Modelo (Módulo de alimentación) | Dimensiones P x L x A (inch/mm) | Peso (lb/kg) |
|---------------------------------|--------------------------------------|--------------|
| 9PX8KSP | 10.3 x 17.4 x 29.4 / 262 x 440 x 745 | 225 / 102 |
| 9PX10KSP | 10.3 x 17.4 x 29.4 / 262 x 440 x 745 | 225 / 102 |
| 9PXEBM360SP | 5.2 x 17.4 x 25.4 / 130 x 440 x 645 | 163.2 / 74 |

Tabla 4. Características Entrada Eléctrica

| | |
|-----------------------------------|--|
| Frecuencia nominal | 50/60Hz antes de transferir a la batería |
| Rango de frecuencia | 50Hz: 40-70Hz antes de transferir a la batería 60Hz: 40-70Hz antes de transferir a la batería |
| Rango de tensión de Bypass | -15% / +15% del voltaje nominal (por defecto) |

| Modelo | Tensión de entrada | Corriente de entrada |
|----------|--------------------|----------------------|
| 9PX8KSP | 100/200V | 43A |
| | 110/220V | 43A |
| | 115/230V | 43A |
| | 120/208V | 43A |
| | 120/240V | 43A |
| | 127/220V | 43A |
| | 9PX10KSP | 100/200V |
| 110/220V | | 46A |
| 115/230V | | 46A |
| 120/208V | | 46A |
| 120/240V | | 46A |
| 127/220V | | 46A |

Tabla 5. Conexiones de las entradas eléctricas

| Modelo | Conexión de entrada |
|----------|---------------------|
| 9PX8KSP | Cableado |
| 9PX10KSP | |

11. Especificaciones

Tabla 6. Salida eléctrica

| Todos los modelos | Modo Normal | Modo Batería |
|------------------------------------|--|--|
| Regulación de tensión | ±2% (Lx-N); ±5% (L1-L2) | ±10% |
| Eficiencia | > 97% (modo Alta eficiencia) 94% para modelos de 9PX8KSP/9PX10KSP (Típicamente) | |
| Regulación de frecuencia | Sincronizada con la línea ±5 % de frecuencia de línea nominal (fuera de este rango: ±0,5 % de frecuencia nominal auto-seleccionada) | ±0.5% de frecuencia nominal autoseleccionada |
| Salidas nominales | 100/200V, 110/220V, 115/230V, 120/208V, 120/240V, 127/220V (tensión configurable) (los valores de salida se pueden consultar en la tabla 1 del apartado 11.1) | |
| Frecuencia | 50 o 60 Hz, detección automática o configurable como convertidor de frecuencia | |
| Sobrecarga de salida | 100-102% : sin alarma 102-110% : transferencia de carga al modo Bypass después de 2 minutos 110-125% : transferencia de carga al modo Bypass después de 1 minuto 125-150% : transferencia de carga al modo Bypass después de 10 segundos > 150% : transferencia de carga al modo Bypass después de 900ms | 100-102%: sin alarma 102-130%: transferencia de carga al modo Bypass después de 10 segundos > 130%: transferencia de carga al modo Bypass después de 100ms |
| Sobrecarga de salida (Modo Bypass) | 100-125% : sin alarma 125-150% : El SAI se apaga después de 1 minuto > 150% : El SAI se apaga después de 1 segundo | |
| Forma de onda de la tensión | Onda sinusoidal | |
| Distorsión armónica | < 3% THDV en carga lineal < 5% THDV en carga no-lineal | |
| Tiempo de transferencia | Modo online: 0 ms (sin interrupción) Modo de Alta eficiencia: 10 ms máximo (debido a pérdida de alimentación de la red eléctrica) | |
| Factor de potencia | 0.9 | |
| Factor de cresta de carga | 3 a 1 | |

Tabla 7. Conexiones de salida eléctrica

| Modelo | Conexión de salida |
|----------------------|---|
| 9PX8KSP, 9PX10KSP | Cableado (2) Toma L14-30R (1) Toma L6-30R |

Tabla 8. Seguridad y medioambiente

| | |
|----------------------------|---|
| Certificaciones EMC | UL 1778 4° CAN/CSA C22.2 No 107.3-05 Ed.2 |
| EMC (Emisiones)* | FCC part 15 Clase A CISPR22 Clase A AS/NZS 22 Clase A IEC 61000-3-2 (-3-12) IEC 61000-3-3 (-3-11) |
| EMC (Inmunidad) | IEC 61000-2-2 IEC 61000-4-2, Nivel 3 IEC 61000-4-3, Nivel 3 IEC 61000-4-4, Nivel 4 (también en puertos de señal) IEC 61000-4-5, Nivel 4, Criterio B IEC 61000-4-6, Nivel 3 IEC 61000-4-8, Nivel 4 IEC 61000-4-11 |

| | |
|--------------------------------------|--|
| Certificaciones | CE / cULus / NOM |
| Temperatura de funcionamiento | 32 a 104°F (0 a 40°C) en modo Online con disminución de la corriente lineal por altitud Nota: La protección térmica cambia la carga a modo bypass en caso de sobrecalentamiento. |
| Temperatura de almacenamiento | 32 a 104°F (0 a 40°C) con baterías 5 a 140°F (-15 a 60°C) sin baterías |
| Temperatura de tránsito | -4 a 122°F (-20 a 50°C) |
| Humedad relativa | 0 a 95% sin condensación |
| Altitud de funcionamiento | Hasta 2.000 metros (6,562 ft) por encima del nivel del mar con una disminución del 10% por cada 1000 m |
| Altitud de transporte | Hasta 10,000 metros (32,808 ft) por encima del nivel del mar |
| Ruido audible | < 55 dBA para 1 m (valor normal) |

Tabla 9. Batería

| | Baterías internas | EBMs |
|--|---|-------------------------------|
| Configuración en bastidor / torre | 9PX8KSP/9PX10KSP: 360Vdc (±180Vdc) | 9PXEBM360SP: 360Vdc (±180Vdc) |
| Tipo CSB/HR1227WF2FR | Sellado, sin mantenimiento, regulada por válvula, de plomo-ácido, con un mínimo de tres años de vida útil a 77°F (25°C). La vida se reduce por encima de 86°F (30°C). | |
| Control | Control avanzado para la detección temprana de fallos y aviso | |
| Puerto de batería | SBS75G marrón externo de 3 polos + conectores SBS75G blanco en el SAI para la conexión al EBM | |
| Longitud del cable de batería EBM | 9PXEBMSP360: 50cm (19.7in) | |

Tabla 10. Opciones de comunicación

| | |
|---|--|
| Ubicación del módulo de comunicación | (1) available independent communication bay for connectivity cards |
| Tarjetas de conectividad compatibles | Network-MS Modbus-MS Relay-MS |
| Puertos de comunicación | RS-232 (DB9): 1200-19200 bps USB: 19200 bps |
| Contactos de salida de relé | (4) salidas de relé (normalmente abiertas o normalmente cerradas) |
| Marcha/parada a distancia | Puente de 2 pines (normalmente cerrados) |
| Desconexión remota | Puente de 3 pines (pine 1 & 3 normalmente cerrados) |

Centro de atención al cliente de EATON

Servicios de soporte técnico para productos



¿Tiene alguna consulta técnica? Si tuviera cualquier problema a la hora de seguir las instrucciones contenidas en este manual, o tiene alguna duda respecto al funcionamiento, reparación o mantenimiento de su equipo, visite nuestro sitio web powerquality.eaton.com donde encontrará una información completa sobre estos servicios.

Para asegurarnos de responder correctamente a sus preguntas, deberá proporcionar el código de producto, el número de montaje y el número de serie en cualquier consulta o correspondencia con nosotros.

Código de producto: _____

Número de montaje: _____

Número de serie: _____

Información de contacto

Para el Servicio técnico, Centro de atención al cliente, y Preguntas frecuentes de los clientes, le recomendamos que visite nuestro sitio web: powerquality.eaton.com

Programación del servicio técnico por ingeniero de campo

La planificación del servicio técnico por parte de ingenieros de campo de EATON debería realizarse con un plazo de 7 a 10 días antes de que se necesite su asistencia in situ. Si el inicio del SAI es crítico para mantener su planificación, póngase en contacto con EATON, para asegurar una instalación e inicio seguros que mantendrán la garantía de EATON y asegurar un rendimiento fluido.

Política de devolución para productos de una sola fase (AMD)

Si requiere que su equipo sea reparado en fábrica, póngase en contacto con el Centro de atención al cliente de EATON y obtenga un número de autorización de material devuelto (AMD) antes de enviar su unidad. Nunca envíe el equipo a EATON sin obtener primero un número de AMD.

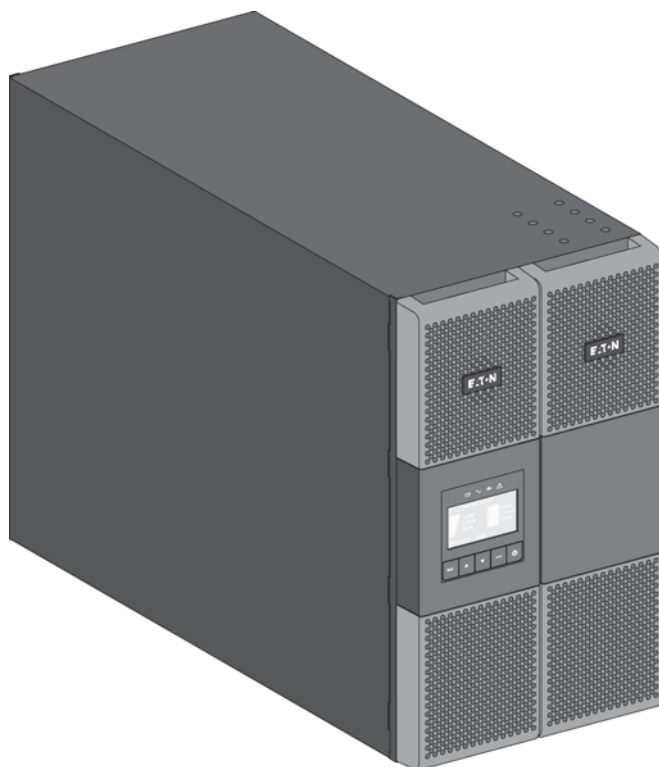
Para obtener más información, visite nuestro sitio web: powerquality.eaton.com

Fecha: _____

Número de AMD: _____

Nombre de contacto: _____

| | |
|--|---|
| Bypass AC source | Red de alimentación de la vía Bypass que permite alimentar la aplicación durante una sobrecarga en salida del SAI, un mantenimiento o en caso de mal funcionamiento. |
| Convertor de frecuencia | El modo de funcionamiento utilizado para convertir la frecuencia de alimentación CA entre la entrada y salida del SAI (50 Hz -> 60 Hz o 60 Hz -> 50 Hz). |
| Umbral de prealarma de final de autonomía de la batería | Se trata de un umbral del nivel de tensión de la batería que permite detectar la proximidad del final de autonomía de la batería y tomar entonces las medidas que impone el corte próximo de tensión en los equipos. |
| Autonomía | Tiempo durante el cual los equipos son alimentados por el SAI funcionando con batería. |
| Equipos | Aparatos o dispositivos conectados en la salida del SAI. |
| HE mode | Modo de funcionamiento que permite alimentar directamente las aplicaciones mediante la red eléctrica si esta última se encuentra en los límites de tolerancia definidos por el usuario. Este modo permite ahorrar energía. |
| Bypass manual | Conmutador rotativo que activa el usuario y permite alimentar directamente la aplicación mediante la red eléctrica. La operación con bypass manual permite mantener ininterrumpidamente la alimentación eléctrica de la aplicación conectada. |
| Modo normal o doble conversión | Modo de funcionamiento normal del SAI: la red eléctrica alimenta el SAI que alimenta las aplicaciones (tras una doble conversión electrónica). |
| Input AC source | Fuente de entrada de corriente para el SAI. |
| Contactos de los relés | Información expedida en forma de contactos destinados al usuario. |
| SAI | Alimentación Ininterrumpida. |



**9PX8KSP
9PX10KSP
9PXEBM360SP**

**Manual de instalação
e do usuário**

Copyright © 2014 **EATON**
Todos os direitos reservados.

Serviço e assistência:
Telefone ao seu representante de serviço local

INSTRUÇÕES DE SEGURANÇA

CONSERVE ESTAS INSTRUÇÕES. O presente manual contém instruções importantes que devem ser seguidas durante a instalação e manutenção do no-break (UPS) e das baterias.

O modelos 9PX descritos no presente manual destinam-se a ser instalados num ambiente entre 32 e 104°F / 0 e 40°C, isento de contaminantes condutores.

Este equipamento foi testado e considerado em conformidade com os limites para um dispositivo digital da Classe A, de acordo com a Parte 15 das regras da FCC. Estes limites foram projetados para oferecer uma proteção razoável contra interferências nocivas quando o equipamento é operado num ambiente comercial. Este equipamento gera, utiliza e pode radiar energia de radiofrequência e, se não for instalado e utilizado de acordo com as indicações contidas no manual de instruções, pode causar interferências nocivas nas comunicações de rádio. A operação do presente equipamento em áreas residenciais pode causar interferências nocivas; neste caso, o usuário será obrigado a corrigir a interferência por conta própria.

Normas de certificação

- Segurança: UL 1778 4th.
CAN/CSA C22.2 No 107.3-05, Ed.2.
- EMC: IEC/EN 62040-1 / Ed.1: 2008
IEC/EN 62040-2 / Ed.2: 2006.
FCC parte 15 Classe A.
- Desempenho: IEC/EN 62040-3 / Ed.2.0: 2011.
- IEC 61000-4-2 (ESD): nível 3.
- IEC 61000-4-3 (Radiated field): nível 3.
- IEC 61000-4-4 (EFT): nível 4.
- IEC 61000-4-5 (Transitórios rápidos): nível 4.
- IEC 61000-4-6 (Campo electromagnético): nível 3.
- IEC 61000-4-8 (Campo magnético conduzido): nível 4.

Símbolos especiais

Os seguintes símbolos são exemplos de símbolos utilizados no UPS ou acessórios para adverti-lo sobre informação importante:



RISCO DE CHOQUE ELÉTRICO - Respeite a advertência associada ao símbolo de risco de choque elétrico.



Instruções importantes que devem ser sempre seguidas.



Não elimine o UPS ou as respectivas baterias junto com o lixo doméstico normal. Este produto contém baterias de ácido e chumbo seladas e deve ser eliminado conforme explicado neste manual. Para obter mais informações, contate o seu centro de reciclagem/reutilização ou de resíduos perigosos local.



Este símbolo indica que não se deve eliminar resíduos de equipamentos elétricos ou eletrônicos (REEE) juntamente com o lixo doméstico normal. Para o eliminar corretamente, contate o seu centro de reciclagem/reutilização ou de resíduos perigosos local.



Informação, notícia, ajuda.



Consulte os manuais do utilizador dos acessórios da UPS.

INSTRUÇÕES DE SEGURANÇA

Segurança de pessoas

- **RISCO DETENSÃO DE RESERVA.** O sistema possui a sua própria fonte de alimentação (a bateria). Isole a UPS e verifique se existe corrente perigosa a montante e a jusante, durante a operação de desenergização. Os blocos de terminais podem estar sob tensão, mesmo que o sistema esteja desligado da tomada CA da parede.
- Níveis perigosos de voltagem presentes no sistema. Para ser aberto somente por pessoal de serviço qualificado.
- O sistema possui a sua própria fonte de alimentação (a bateria). Consequentemente, as tomadas de força podem estar energizadas mesmo que o sistema esteja desconectado da tomada de AC da parede. Níveis perigosos de voltagem presentes no sistema. Para ser aberto somente por pessoal de serviço qualificado.
- O sistema deve ser alterado de maneira apropriada.
- A bateria fornecida com o sistema contém pequenas quantias de materiais tóxicos. Para evitar acidentes, as directrizes abaixo devem ser observadas:
 - A manutenção das baterias deve ser realizada ou supervisionada por pessoal conhecedor de baterias e de acordo com as precauções requeridas.
 - Ao substituir baterias, substitua-as pelo mesmo tipo e número de baterias ou conjuntos de baterias.
 - Não descarte baterias em fogo. As baterias podem explodir.
 - As baterias constituem um risco (choque eléctrico, queimaduras). A corrente de curto circuito pode ser muito elevada.
- Devem ser tomadas precauções para todo o manuseio:
 - Use luvas e botas de borracha.
 - Não coloque ferramentas ou peças de metal sobre as baterias.
 - Desligue a fonte de carga antes de conectar ou desconectar os terminais da bateria.
 - Determine se a bateria foi inadvertidamente aterrada. Se tiver sido inadvertidamente aterrada, remova a fonte do terra. O contacto com qualquer peça de uma bateria aterrada pode resultar em choque eléctrico. A probabilidade de tal choque pode ser reduzida de estes aterramentos forem removidos durante a instalação e manutenção (aplicável ao equipamento e a fornecimentos remotos de bateria que não tiverem um circuito de alimentação aterrado).

Segurança do produto

- As instruções de conexão e a operação da no UPS descrita nesta manual devem ser seguidas na ordem indicada.
- **CUIDADO** - Para reduzir o risco de incêndio, a unidade liga-se apenas a um circuito fornecido com protecção de sobrecarga de circuito derivado com:
 - classificação de 60A, para modelos de 8kVA,
 - classificação de 60A, para modelos de 10kVA,
 em conformidade com o Código Nacional de Electricidade ANSI/NFPA 70 . O disjuntor a montante tem de estar facilmente acessível. A unidade pode ser desligada da tomada CA da parede, abrindo este disjuntor.
- Deve ser fornecido por terceiros um meio de dispositivos seccionadores e de protecção contra sobrecarga para circuitos de entrada e de saída CA permanentemente ligados.
- Confira se as indicações na etiqueta de especificações técnicas correspondem a seu sistema de alimentação AC e ao real consumo de energia eléctrica de todos os equipamentos conectados ao sistema.
- Para EQUIPAMENTO ACOPLÁVEL, a saída de soquete deve ser instalada perto do equipamento e deve ser de fácil acesso.
- Nunca instale o sistema próximo de líquidos ou em um ambiente excessivamente úmido.
- Nunca deixe que algum corpo estranho caia dentro do sistema.
- Nunca obstrua as grades de ventilação do sistema.
- Nunca exponha o sistema à luz solar direta ou a uma fonte de calor.
- Se o sistema precisar ser armazenado antes da instalação, a armazenagem deve ser feita em local seco.
- A faixa admissível de temperaturas de armazenamento é de 32 a 104°F / 0 a 40°C.
- O sistema não se destina a ser utilizado numa sala de computadores CONFORME DEFINIDO NA norma relativa à Protecção de Equipamento de Tecnologia de Informação, ANSI/NFPA 75 (apenas instalações nos EUA).

Caso seja necessário um kit especial de bateria para atender a ANSI/NFPA 75 exigência, contactar a Eaton.

Para modelo 9PX8KSP, Dispositivo Seccionador - CUIDADO - Um dispositivo seccionador deve ser fornecido por terceiros para o circuito de saída CA. Para reduzir o risco de incêndio, a unidade liga-se apenas a um circuito fornecido com protecção de sobrecarga de circuito derivado com classificação de 40 amperes, em conformidade com o Código Eléctrico Nacional de Electricidade ANSI/NFPA 70.

Para modelo 9PX10KSP, Dispositivo Seccionador - CUIDADO - Um dispositivo seccionador deve ser fornecido por terceiros para o circuito de saída CA. Para reduzir o risco de incêndio, a unidade liga-se apenas a um circuito fornecido com protecção de sobrecarga de circuito derivado com classificação de 45 amperes, em conformidade com o Código Eléctrico Nacional de Electricidade ANSI/NFPA 70.

INSTRUÇÕES DE SEGURANÇA

Precauções especiais

- A unidade é pesada: utilize calçado de proteção e utilize preferencialmente um elevador a vácuo para as operações de manuseio.
- Todas as operações de manuseio necessitam, no mínimo, de duas pessoas (desembalagem, elevação, instalação no sistema de rack).
- No EBM, as cintas são fornecidas apenas para desembalar manualmente a máquina da embalagem de papelão; não utilize as cintas para transportar a mesma. A unidade pode deslizar das cintas durante o manuseio (risco de ferimento e de danos no produto):
 - mantenha 12 in / 30 cm de distância mínima entre as cintas
 - levante cuidadosamente a unidade e mantenha-a a uma altura baixa
 - mantenha a unidade na horizontal durante a desembalagem.
- Antes e após a instalação, se a no break permanecer sem energia por um período muito grande, a no break deve ser energizada durante um período de vinte e quatro horas, pelo menos uma vez por semestre (para um temperatura de operação normal, inferior a 77°F (25°C)). Esse procedimento carrega a bateria, evitando possíveis danos irreversíveis.
- Durante a substituição do Módulo da bateria, é obrigatório o uso do mesmo tipo e número de elementos que o Módulo de bateria original fornecido com o no break, para manter um nível idêntico de desempenho e segurança. Em caso de dúvida, não hesite em entrar em contato com o seu representante EATON.
- Todas as reparações devem ser efectuadas **EXCLUSIVAMENTE POR PESSOAL DE MANUTENÇÃO AUTORIZADO**.
A UPS não contém **PEÇAS SUSCEPTÍVEIS DE REPARAÇÃO PELO UTILIZADOR**.

| | |
|--|-----------|
| 1. Introdução | 6 |
| 1.1 Proteção ambiental | 6 |
| 2. Apresentação | 8 |
| 2.1 Peso e as dimensões | 8 |
| 2.2 Esquema do painel traseiro | 9 |
| 2.3 Acessórios (opcional) | 9 |
| 3. Instalação para 9PX 8K SP / 9PX 10K SP..... | 10 |
| 3.1 Inspeccionar o equipamento | 10 |
| 3.2 Desembalar o armário..... | 10 |
| 3.3 Verificar o conjunto de acessórios | 11 |
| 3.4 Modelos tipo torre | 12 |
| 3.5 Modelos tipo rack | 13 |
| 3.6 Ligar à bateria interna | 14 |
| 4. Instalação de EBM(s)..... | 15 |
| 4.1 Inspeccionar o equipamento | 15 |
| 4.2 Desembalar o armário..... | 15 |
| 4.3 Verificar o conjunto de acessórios | 16 |
| 4.4 Prepare a instalação..... | 17 |
| 4.5 Modelos tipo torre | 18 |
| 4.6 Modelos tipo rack | 19 |
| 4.7 Ligar os EBM | 20 |
| 4.8 Ligar outros acessórios | 20 |
| 5. Ligação de cabos de alimentação | 21 |
| 5.1 Requisitos de instalação | 21 |
| 5.2 Acesso a bloco de terminais..... | 22 |
| 5.3 Ligação de Entrada/Saída com fios | 22 |
| 6. HMI e definições | 23 |
| 6.1 Painel de controle | 23 |
| 6.2 Descrição do LCD | 24 |
| 6.3 Funções do monitor | 25 |
| 6.4 Definições do usuário | 25 |
| 7. Operação | 27 |
| 7.1 Arranque e encerramento da UPS | 27 |
| 7.2 Modos de operação | 28 |
| 7.3 Transferir a UPS entre modos | 29 |
| 7.4 Configurar definições de Bypass | 29 |
| 7.5 Configurar definições da bateria | 29 |
| 7.6 Recuperar o registo de eventos..... | 30 |
| 7.7 Obter o Registo de falhas | 30 |
| 8. Comunicação | 31 |
| 8.1 Portas de comunicação..... | 31 |
| 8.2 Conjunto de software Eaton Intelligent Power | 34 |
| 9. Manutenção da UPS..... | 35 |
| 9.1 Manutenção do equipamento..... | 35 |
| 9.2 Armazenar o equipamento..... | 35 |
| 9.3 Quando substituir as baterias | 35 |
| 9.4 Substituir baterias | 36 |
| 9.5 Substituir a UPS equipada com um Bypass de Manutenção (BPE20MBB1A) | 39 |
| 9.6 Reciclar a bateria usada ou a UPS | 39 |
| 10. Resolução de problemas | 40 |
| 10.1 Alarmes e falhas típicos | 40 |
| 10.2 Desligar o alarme | 42 |
| 10.3 Serviço e assistência | 42 |
| 11. Especificações | 43 |
| 11.1 Especificações do modelo | 43 |
| 12. Apêndices | 47 |

1. Introdução

Obrigado por seleccionar um produto da EATON para proteger o seu equipamento eléctrico.

A gama 9PX foi concebida com o maior cuidado.

Recomendamos que você leia este manual para aproveitar completamente os vários recursos do seu UPS (Uninterruptible Power System, Sistema de energia ininterrupta).

Antes de instalar o 9PX, leia o folheto sobre às instruções de segurança necessárias.
Em seguida, siga as indicações contidas neste manual.

Para descobrir toda a gama de produtos EATON e as opções disponíveis para a gama 9PX, o convidamos visitar nosso site na Web em powerquality.eaton.com ou entrar em contato com o representante da EATON.

1.1 Proteção ambiental

A EATON implementou uma política de proteção ambiental.


Os produtos são desenvolvidos de acordo com uma abordagem de projeto ecologicamente correto.

Substâncias

Este produto não contém CFCs, HCFCs ou asbesto.

Embalagem

Para melhorar o tratamento de resíduos e facilitar a reciclagem, separe os vários componentes da embalagem.

- A caixa que usamos é composta de mais de 50% de papelão.
- Sacos e sacolas são feitos de polietileno.
- Os materiais da embalagem são recicláveis e contêm o símbolo de identificação adequado 

| Materiais | Abreviação | Número do símbolo  |
|--------------------------------|------------|---|
| Polietileno tereftalato | PET | 01 |
| Polietileno de alta densidade | HDPE | 02 |
| Cloreto de polivinilo | PVC | 03 |
| Polietileno de baixa densidade | LDPE | 04 |
| Polipropileno | PP | 05 |
| Poliestireno | PS | 06 |

Siga todas as regulamentações locais para o descarte de materiais de embalagem.

Fim de vida

A EATON processará produtos no fim de sua vida de serviço em conformidade com as regulamentações locais. A EATON trabalha com empresas encarregadas de coletar e eliminar nossos produtos no fim de sua vida de serviço.

Produto

O produto é feito de materiais recicláveis.

A desmontagem e a destruição devem ocorrer em conformidade com todas as regulamentações locais relacionadas aos resíduos. No fim de sua vida de serviço, o produto deverá ser transportado para um centro de processamentos para resíduos eléctricos e electrónicos.

Bateria

O produto contém baterias de ácido-chumbo que devem ser processadas de acordo com as regulamentações locais aplicáveis relacionadas às baterias.

A bateria pode ser removida para ficar em conformidade com as regulamentações, objectivando o descarte correto.

1. Introdução

A unidade de alimentação ininterrupta (UPS) Eaton® 9PX protege o seu equipamento electrónico sensível dos problemas de alimentação mais comuns, incluindo falhas de alimentação, quebras de alimentação, picos de alimentação, reduções de tensão, interferências nas linhas, picos de alta tensão, variações de frequência, transitórios de comutação e distorções harmónicas.

As falhas de alimentação podem ocorrer quando menos espera e a qualidade da alimentação pode ser irregular. Estes problemas de alimentação têm o potencial de corromper dados críticos, destruir sessões de trabalho não guardadas e danificar equipamento informático - provocando horas de produtividade perdida e reparações dispendiosas.

Com a Eaton 9PX, pode eliminar de forma segura os efeitos das perturbações de alimentação e proteger a integridade do seu equipamento. Disponibilizando um desempenho e uma fiabilidade espectaculares, os benefícios únicos da Eaton 9PX incluem:

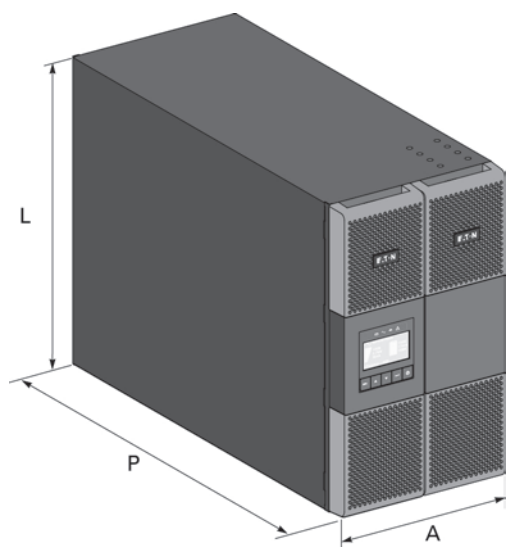
- Verdadeira tecnologia on-line de conversão dupla com densidade de alimentação elevada, independência de frequência de aparelho e compatibilidade com gerador.
- Tecnologia ABM® que usa a gestão avançada da bateria para aumentar a vida útil da bateria, otimizar o tempo de recarga e fornecer um aviso antes do fim da vida útil da bateria.
- Modo de operação de eficiência elevada seleccionável.
- Opções de comunicação padrão: Network-MS card (Web/SNMP), uma porta de comunicação RS-232, uma porta de comunicação USB e contactos de saída de relé.
- Placas de conectividade opcionais com capacidades de comunicação melhoradas (Modbus-MS, Relay-MS).
- Tempo de operação prolongado com até quatro Módulos de bateria prolongados (EBM) por UPS.
- Firmware facilmente actualizável sem necessidade de chamada de assistência técnica.
- Remote On/Off control through Remote On/Off (ROO) and Remote Power Off (RPO) ports.
- Apoiada por aprovações de agência à escala mundial.

2. Apresentação

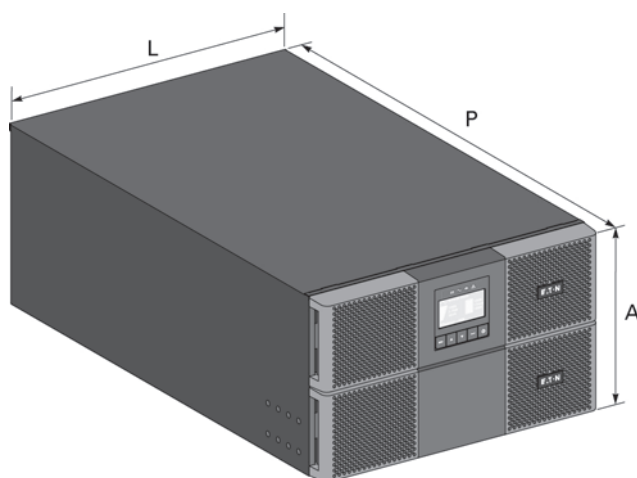
2.1 Peso e as dimensões

9PX 8K SP / 9PX 10K SP

Modelos tipo torre



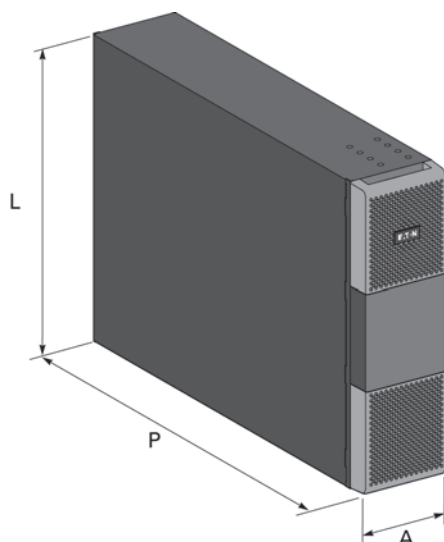
Modelos tipo rack



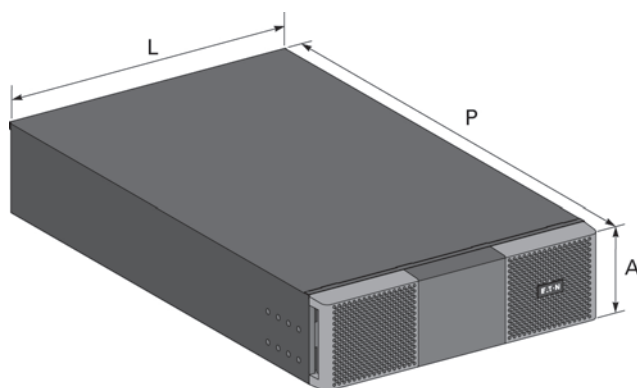
| Descrição | Peso (lb/kg) | Dimensões (inch/mm) A x L x P |
|-----------|--------------|--------------------------------------|
| 9PX8KSP | 225 / 102 | 10.3 x 17.4 x 29.4 / 262 x 440 x 745 |
| 9PX10KSP | 225 / 102 | 10.3 x 17.4 x 29.4 / 262 x 440 x 745 |

9PX EBM 360SP

Modelos tipo torre



Modelos tipo rack

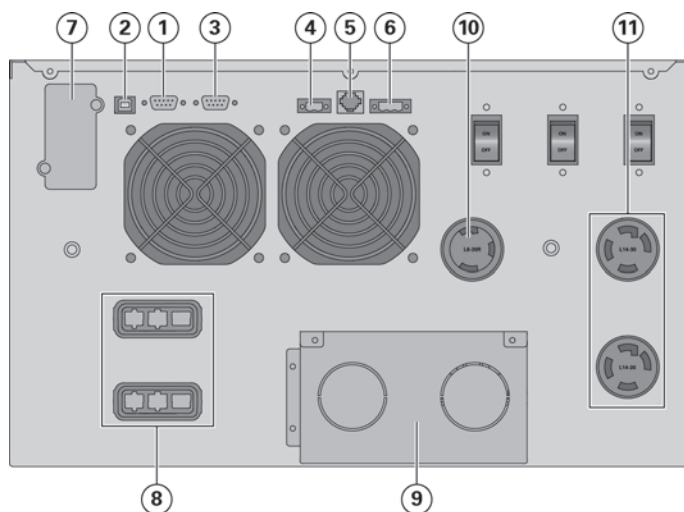


| Descrição | Peso (lb/kg) | Dimensões (inch/mm) A x L x P |
|-------------|--------------|-------------------------------------|
| 9PXEBM360SP | 163.2 / 74 | 5.2 x 17.4 x 25.4 / 130 x 440 x 645 |

2. Apresentação

2.2 Esquema do painel traseiro

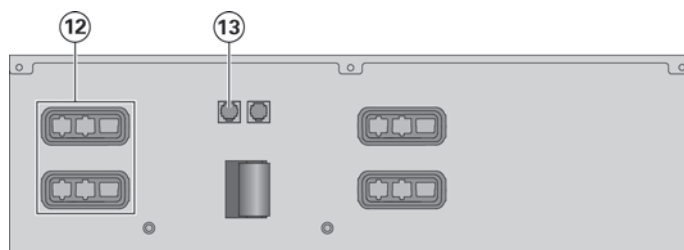
9PX 8K SP / 9PX 10K SP



- ① Porta de comunicação RS232
- ② Porta de comunicação USB
- ③ Porta de comunicação com contactos (relé) secos
- ④ Conector para MBP e Controlo Remoto (LIGAR/DESLIGAR remoto)
- ⑤ Conector para reconhecimento automático de módulos adicional de bateria
- ⑥ Conector para controlo de RPO (Encerramento Remoto)
- ⑦ Encaixe para placa de comunicação opcional
- ⑧ Conector para módulo de bateria
- ⑨ Blocos de terminais de entrada/saída
- ⑩ (1) saída L6-30R
- ⑪ (2) saída L14-30R

9PX EBM 360SP

(Módulo de Bateria Estendidas do 9PX 8K SP / 9PX 10K SP)



- ⑫ Conectores para módulos de bateria (à UPS ou aos outros módulos de bateria)
- ⑬ Conectores para reconhecimento automático de módulos de bateria

2.3 Acessórios (opcional)

| Número da peça | Descrição |
|----------------|--|
| 9PXEBM360SP | Módulo Extenso da Bateria |
| Modbus-MS | Modbus e placa de rede |
| Relay-MS | Placa de relés |
| BPE20MBB1A | Bypass de manutenção externo para 9PX8KSP e 9PX10KSP |
| BINTSYS | Sistema de integração de baterias |
| EBMCBL360 | Cabo de 1,8 m para 9PXEBM360SP |

3. Instalação para 9PX 8K SP / 9PX 10K SP

3.1 Inspeccionar o equipamento

Se qualquer equipamento se tiver danificado durante a expedição, guarde a caixa e o material da embalagem do transportador ou do local de compra e submeta uma queixa por danos de expedição. Se descobrir danos após a aceitação, submeta uma queixa por danos ocultos.

Para submeter uma queixa por danos de expedição ou por danos ocultos:

1. Submeta a queixa junto do transportador no espaço de 15 dias após recepção do equipamento;
2. Envie uma cópia da queixa de danos no espaço de 15 dias para o seu representante de assistência técnica.



Verifique a data de recarga da bateria na etiqueta da caixa de expedição. Se a data tiver passado e as baterias nunca tiverem sido recarregadas, não use a UPS. Contacte o seu representante de assistência técnica.

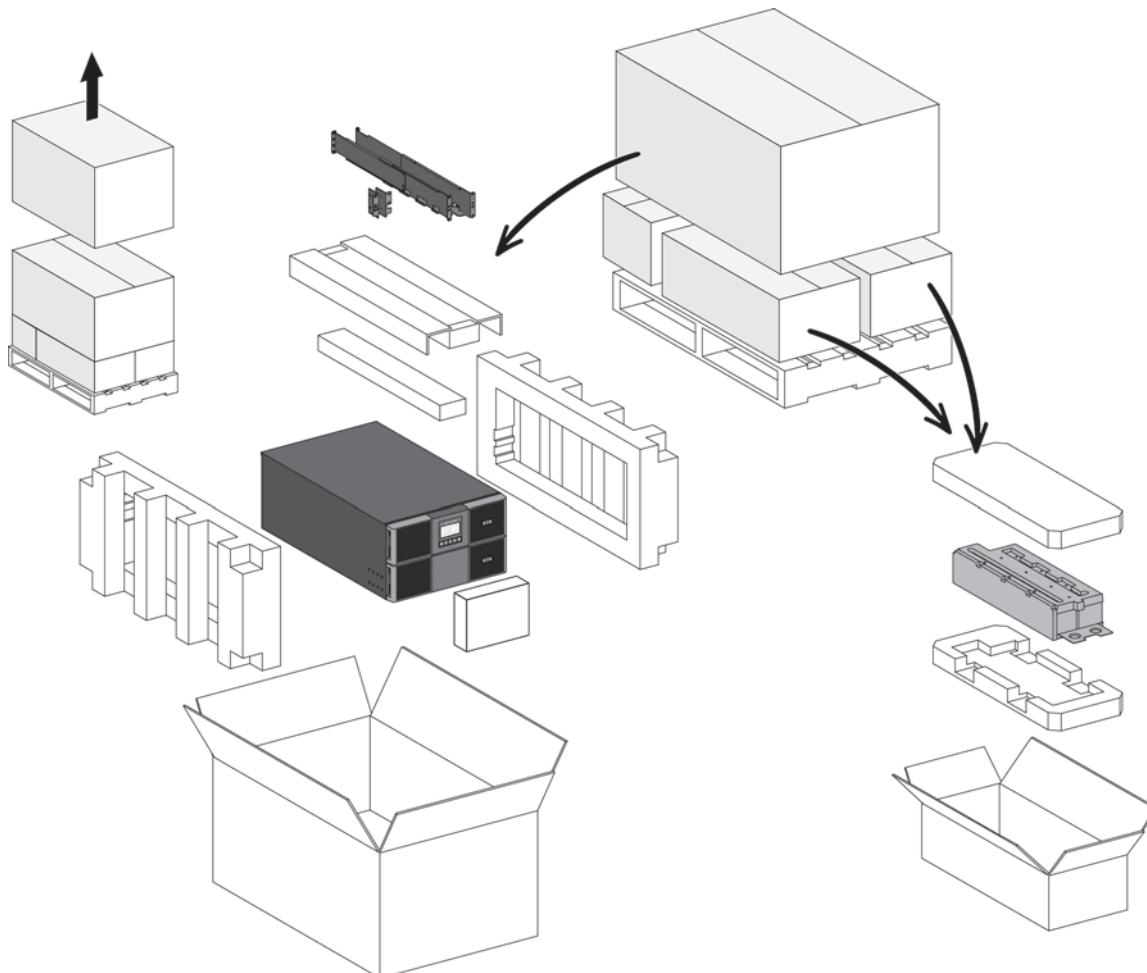
3.2 Desembalar o armário



- Desembalar o armário num ambiente de baixa temperatura pode provocar a ocorrência de condensação no interior e sobre o armário. Não instale o armário até que o interior e o exterior do armário estejam absolutamente secos (perigo de choque eléctrico).
- O armário é pesado (ver "Pesos e dimensões", página 43). Siga as precauções especiais fornecidas na página 4 e na embalagem de papelão.

Desembale o equipamento e retire todos os materiais de embalagem e a caixa de expedição.

Nota! Não levante a UPS do painel frontal.



Desembalar UPS.

Elimine ou recicle a embalagem de um modo responsável, ou guarde para uso futuro.

Coloque o armário numa área protegida que tenha um fluxo de ar adequado e que esteja isenta de humidade, gás inflamável e corrosão.



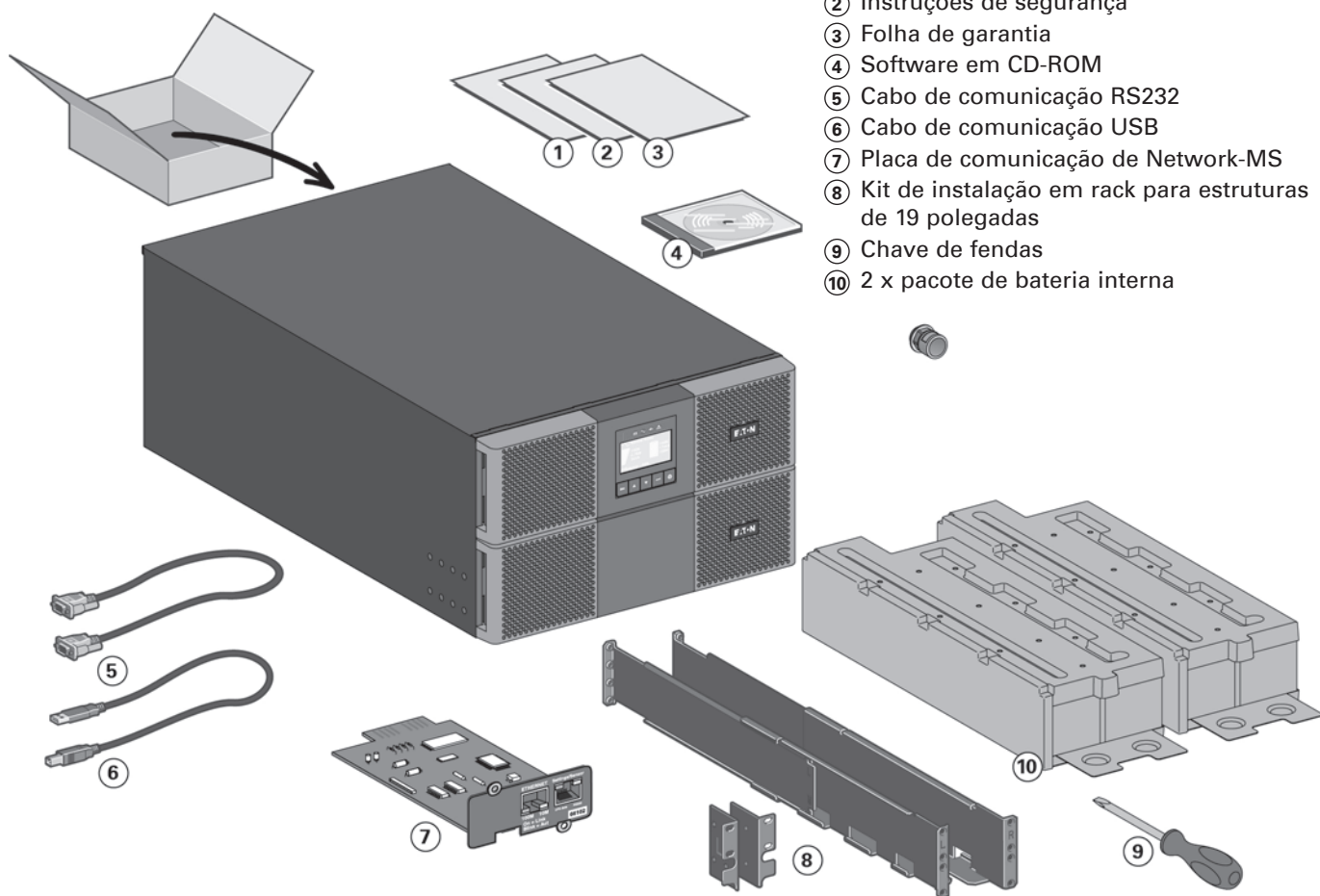
Os materiais da embalagem devem ser reciclados em conformidade com os regulamentos aplicáveis resíduos. Os símbolos de reciclagem estão impressos nos materiais de embalagem, para facilitar a separação.

3. Instalação para 9PX 8K SP / 9PX 10K SP

3.3 Verificar o conjunto de acessórios

- Verifique se os artigos adicionais seguintes estão incluídos com a UPS :

- ① Manual do utilizador
- ② Instruções de segurança
- ③ Folha de garantia
- ④ Software em CD-ROM
- ⑤ Cabo de comunicação RS232
- ⑥ Cabo de comunicação USB
- ⑦ Placa de comunicação de Network-MS
- ⑧ Kit de instalação em rack para estruturas de 19 polegadas
- ⑨ Chave de fendas
- ⑩ 2 x pacote de bateria interna



3. Instalação para 9PX 8K SP / 9PX 10K SP

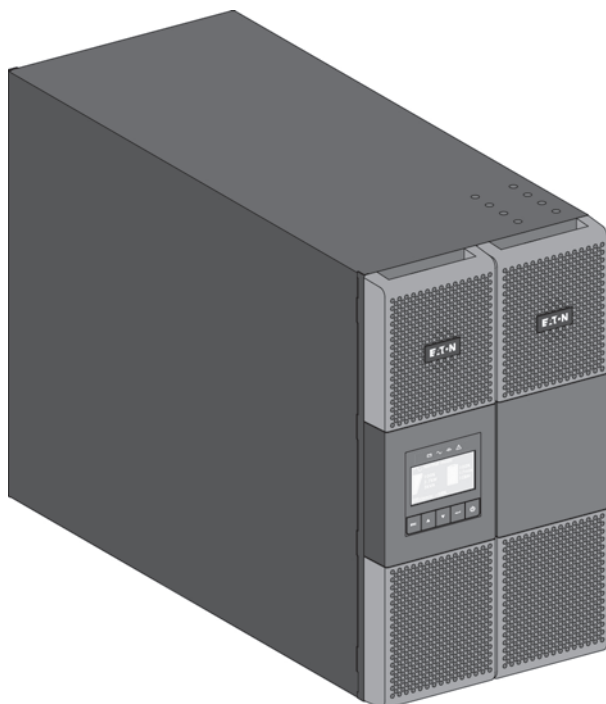
3.4 Modelos tipo torre



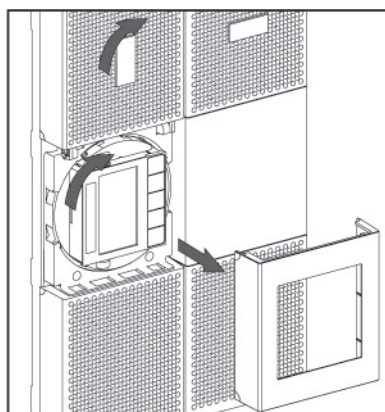
Caso tenha encomendado outros acessórios para a UPS, consulte os respectivos manuais do utilizador para verificar a instalação tipo torre com a UPS.

Para instalar o armário:

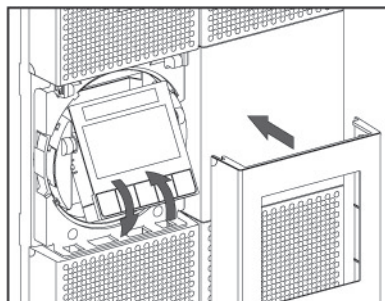
1. Coloque a UPS sobre uma superfície estável e plana na sua localização final.
2. Deixe sempre 150 mm de espaço livre por trás do painel traseiro da UPS.
3. Se for instalar armários adicionais, coloque-os ao lado da UPS na sua localização final.
4. Instale os suportes de montagem para ligar o EBM ao módulo da UPS (se o EBM estiver presente).



- Ajuste da orientação do LCD e do logótipo.



- Ajuste do ângulo de visão do LCD.

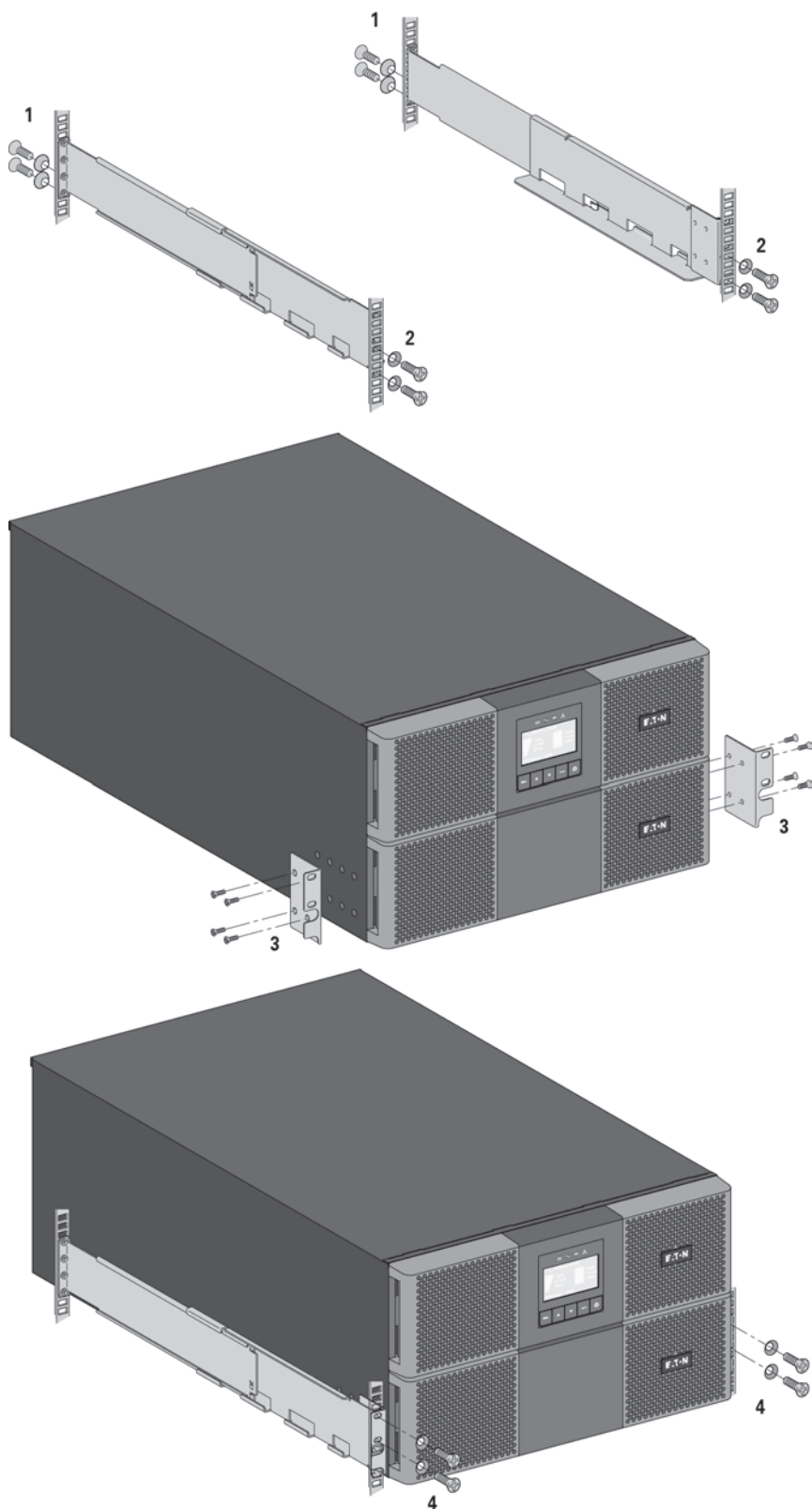


3. Instalação para 9PX 8K SP / 9PX 10K SP

3.5 Modelos tipo rack

- Montagem tipo rack da UPS e dos módulos.

Siga as etapas 1 a 4, para a montagem do módulo em trilhos.



Os trilhos e o Com fios necessário são fornecidos pela EATON.

Caso tenha encomendado outros acessórios para a UPS, consulte os respectivos manuais do utilizador para verificar a instalação tipo rack com a UPS.



3. Instalação para 9PX 8K SP / 9PX 10K SP

3.6 Ligar à bateria interna

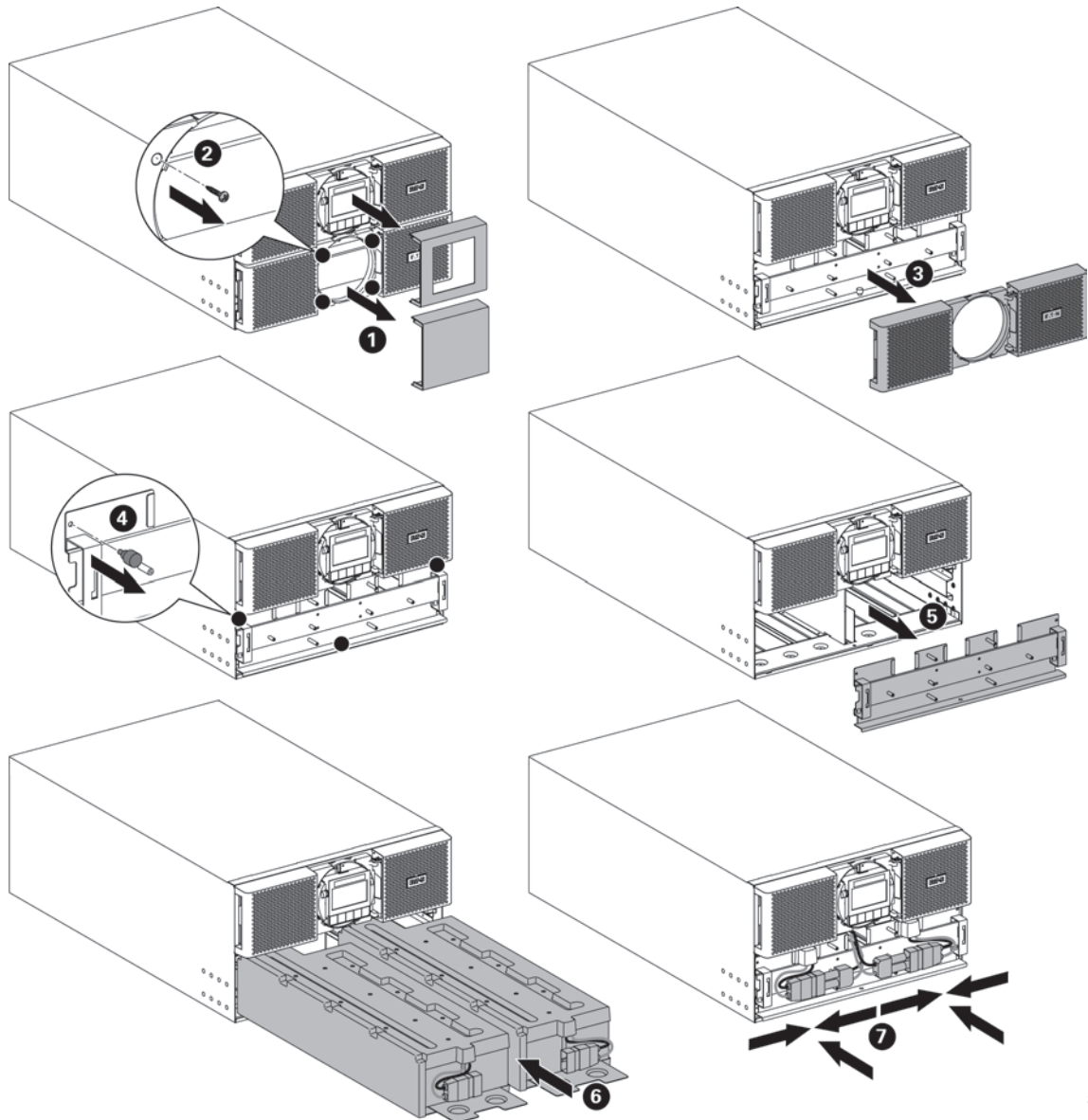


Não efectue alteração não autorizadas à UPS; caso contrário poderão ocorrer danos ao equipamento que anularão a garantia.

Não ligue a UPS à rede eléctrica até a instalação estar concluída.

Este passo necessita de duas pessoas da assistência técnica, a UPS e a bateria interna são pesadas.

| Descrição | Peso (lb/kg) |
|--|--------------|
| 9PX 8K SP/9PX 10K SP sem a bateria interna | 91 / 41 |
| 9PX 8K SP/9PX 10K SP internal battery | 67.3 / 30.5 |



a ambos os pacotes de bateria.

- Instale a UPS no bastidor.
- Retire a cobertura central do painel dianteiro.
- Retire os quatro parafusos para abrir o lado esquerdo do painel dianteiro.
- Retire os três parafusos para remover a cobertura de proteção metálica da bateria.
- Coloque o pacote de bateria, aparafuse novamente a cobertura de proteção metálica, ligue a bateria e coloque, de novo, o painel dianteiro, em seguida, prenda a cobertura do centro.



É possível a ocorrência de um pequeno centelhamento ao ligar as baterias internas. Isto é normal e não irá provocar ferimentos ao pessoal. Ligue os cabos rapidamente e com firmeza.

4. Instalação de EBM(s)

4.1 Inspeccionar o equipamento

Se qualquer equipamento se tiver danificado durante a expedição, guarde a caixa e o material da embalagem do transportador ou do local de compra e submeta uma queixa por danos de expedição. Se descobrir danos após a aceitação, submeta uma queixa por danos ocultos.

Para submeter uma queixa por danos de expedição ou por danos ocultos:

1. Submeta a queixa junto do transportador no espaço de 15 dias após recepção do equipamento;
2. Envie uma cópia da queixa de danos no espaço de 15 dias para o seu representante de assistência técnica.



Verifique a data de recarga da bateria na etiqueta da caixa de expedição. Se a data tiver passado e as baterias nunca tiverem sido recarregadas, não use a EBM. Contacte o seu representante de assistência técnica.

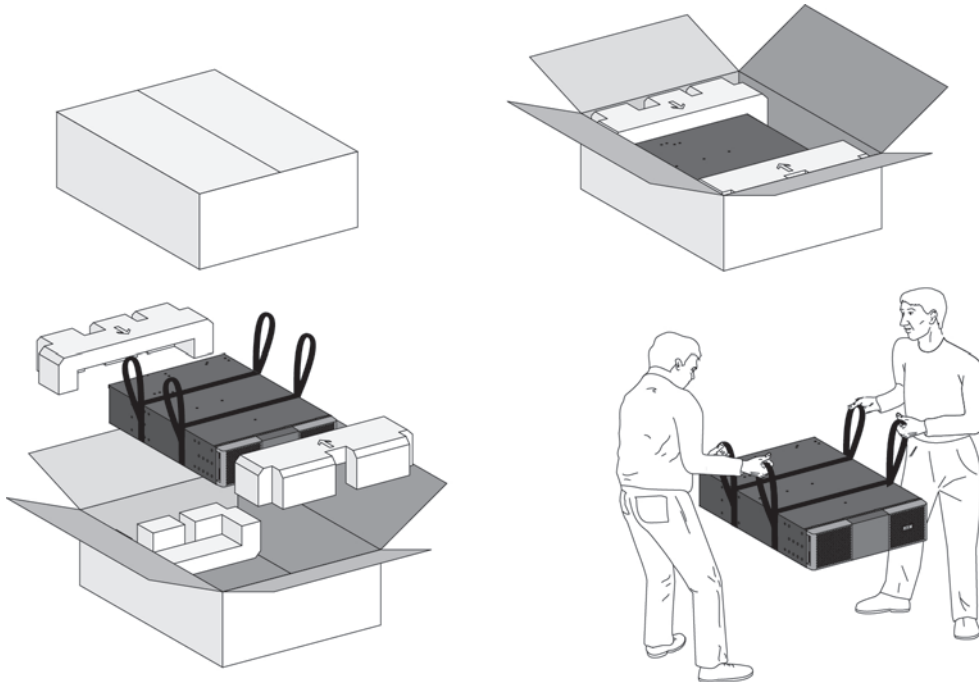
4.2 Desembalar o armário



- Desembalar o armário num ambiente de baixa temperatura pode provocar a ocorrência de condensação no interior e sobre o armário. Não instale o armário até que o interior e o exterior do armário estejam absolutamente secos (perigo de choque eléctrico).
- O armário é pesado (ver "Pesos e dimensões", página 43). Siga as precauções especiais fornecidas na página 4 e na embalagem de papelão.

Desembale o equipamento e retire todos os materiais de embalagem e a caixa de expedição.

Nota! Não levante a EBM do painel frontal.



Desembalar EBM.

Elimine ou recicle a embalagem de um modo responsável, ou guarde para uso futuro.

Coloque o armário numa área protegida que tenha um fluxo de ar adequado e que esteja isenta de humidade, gás inflamável e corrosão.

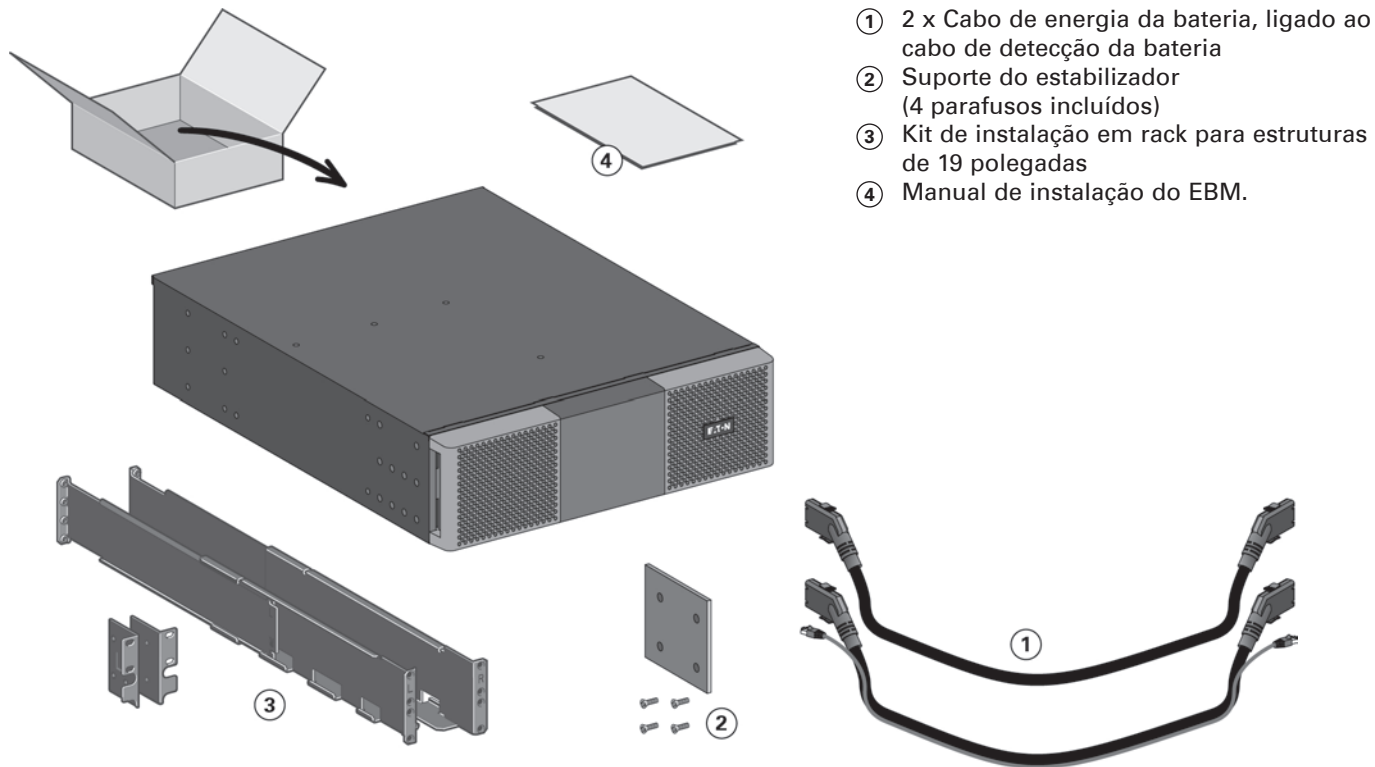


Os materiais da embalagem devem ser reciclados em conformidade com os regulamentos aplicáveis resíduos. Os símbolos de reciclagem estão impressos nos materiais de embalagem, para facilitar a separação.

4. Instalação de EBM(s)

4.3 Verificar o conjunto de acessórios

- Se encomendou um Módulo de bateria estendida (EBM), verifique se os artigos adicionais seguintes estão incluídos com o EBM :



4. Instalação de EBM(s)

4.4 Prepare a instalação



Caso tenha encomendado outros acessórios para a UPS, consulte os respectivos manuais do utilizador para verificar a instalação tipo rack com a UPS.

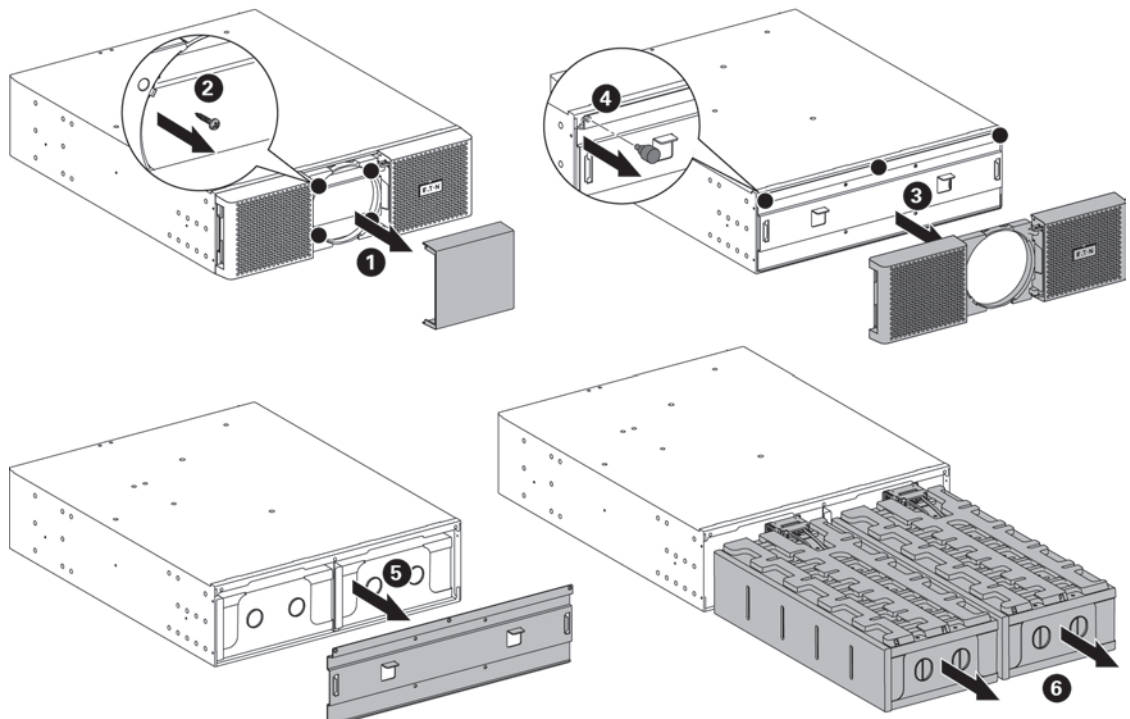
- Prepare o EBM para a instalação tipo rack



Este passo necessita de duas pessoas da assistência técnica

O módulo de bateria com autonomia prolongada é muito pesado.

| Descrição | Peso (lb/kg) |
|-------------------------------------|--------------|
| 9PX EBM 360SP sem a bateria interna | 28.7 / 13 |
| 9PX EBM 360SP bateria interna | 67.3 / 30.5 |



Para facilitar a montagem tipo rack, pode remover a bateria do EBM, como se explica em seguida.

- Retire a tampa central do painel frontal.
- Retire os quatro parafusos para abrir o painel frontal.
- Retire os três parafusos para retirar a tampa de protecção metálica da bateria.
- Puxe a pega de plástico das baterias esquerda e direita, retire a bateria puxando-a lentamente e coloque-a sobre uma superfície plana e estável. Segure as baterias com as duas mãos. Coloque-as de parte para voltar a instalá-las depois após a montagem tipo rack do EBM.
- Instale o EBM no rack "Modelos tipo rack", página 13.
- Reinstale as baterias, reparafile a tampa de protecção metálica e o painel frontal e encaixe a tampa central.

4. Instalação de EBM(s)

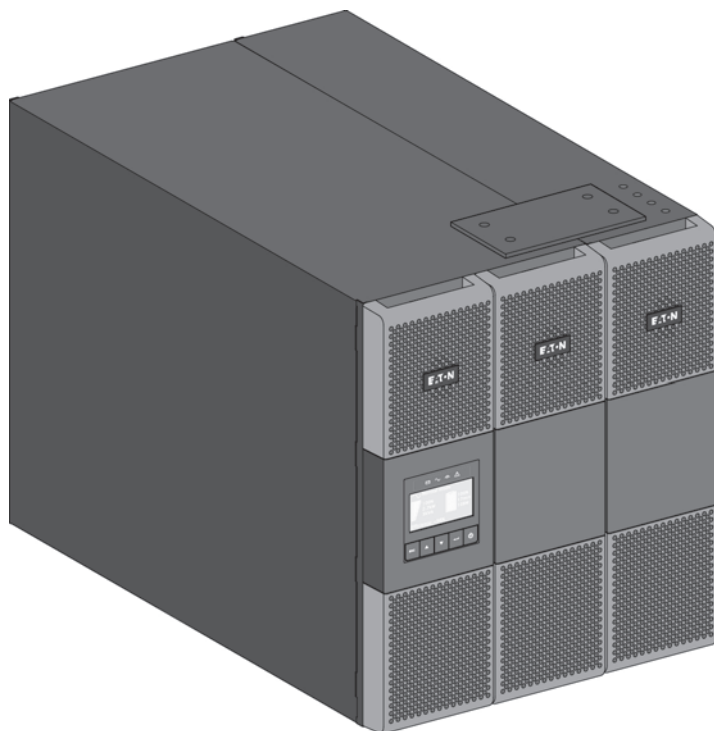
4.5 Modelos tipo torre



Caso tenha encomendado outros acessórios para a UPS, consulte os respectivos manuais do utilizador para verificar a instalação tipo torre com a UPS.

Para instalar o armário:

1. Coloque a UPS sobre uma superfície estável e plana na sua localização final.
2. Deixe sempre 150 mm de espaço livre por trás do painel traseiro da UPS.
3. Se for instalar armários adicionais, coloque-os ao lado da UPS na sua localização final.
4. Instale os suportes de montagem para ligar o EBM ao módulo da UPS.

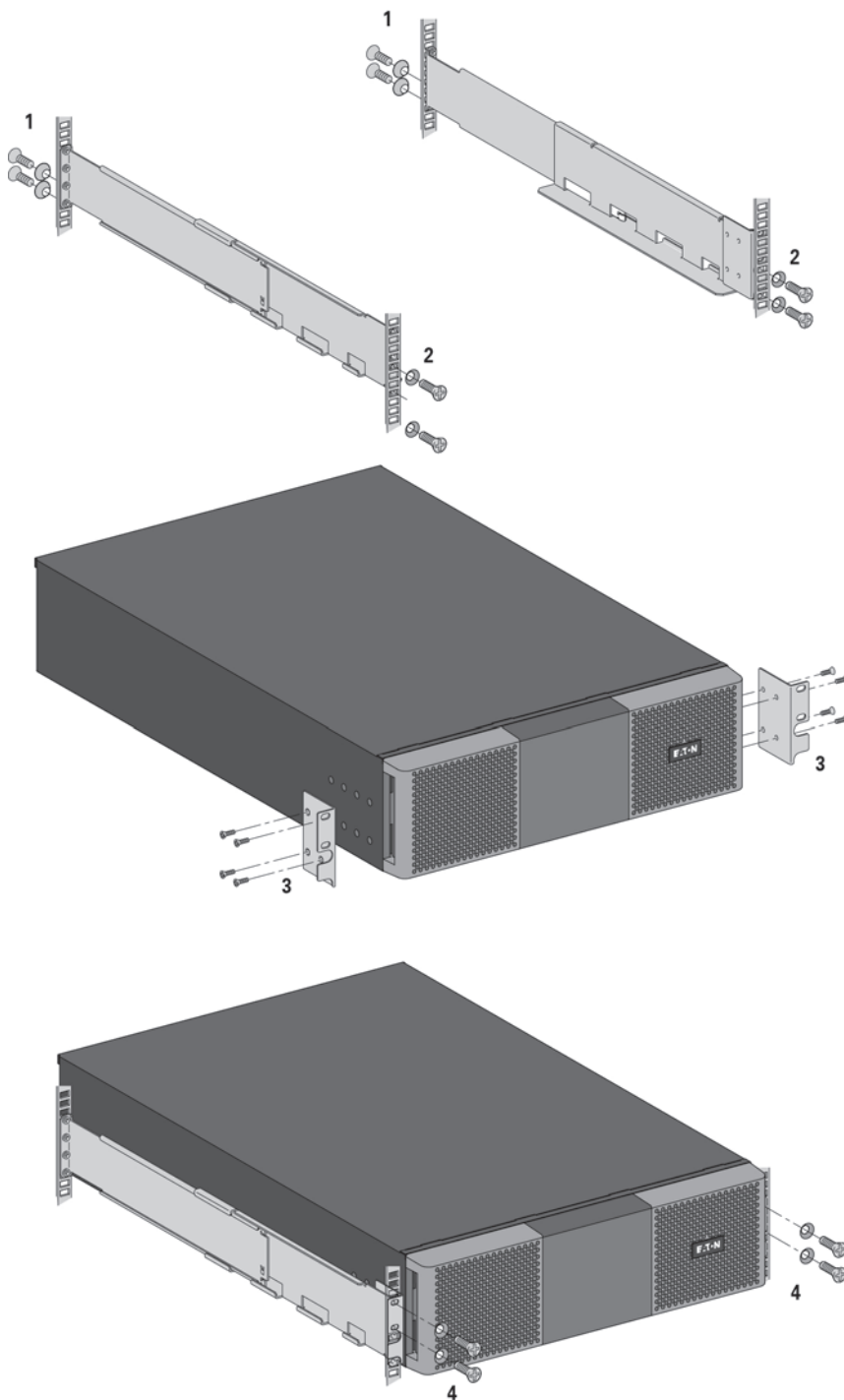


4. Instalação de EBM(s)

4.6 Modelos tipo rack

- Montagem tipo rack da UPS e dos módulos.

Siga as etapas 1 a 4, para a montagem do módulo em trilhos.



Os trilhos e o Com fios necessário são fornecidos pela EATON.

Caso tenha encomendado outros acessórios para a UPS, consulte os respectivos manuais do utilizador para verificar a instalação tipo rack com a UPS.



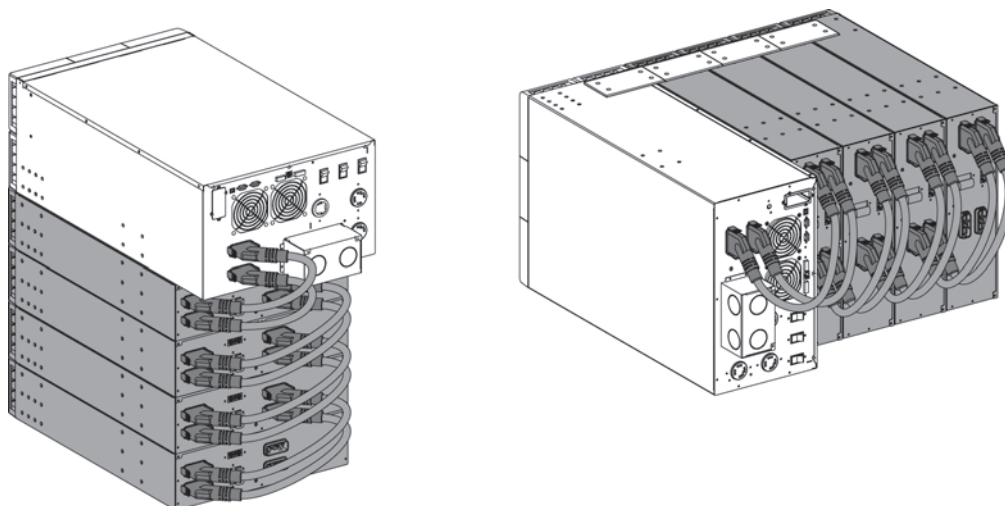
4. Instalação de EBM(s)

4.7 Ligar os EBM



É possível a ocorrência de um pequeno centelhamento ao ligar um EBM à UPS. Isto é normal e não irá provocar ferimentos ao pessoal. Introduza o cabo do EBM no conector da bateria da UPS de forma rápida e firme.

1. Ligue o(s) cabo(s) de EBM ao(s) conector(es) da bateria. Podem ser ligados até 4 EBM à UPS.
2. Verifique se as ligações dos EBM estão apertadas e se existe um raio de curvatura e um protector para cada cabo.
3. Ligue os cabos de detecção da bateria aos conectores da UPS e dos EBM.
4. Verifique se o disjuntor da bateria se encontra na posição "I" (Ligado)



4.8 Ligar outros acessórios

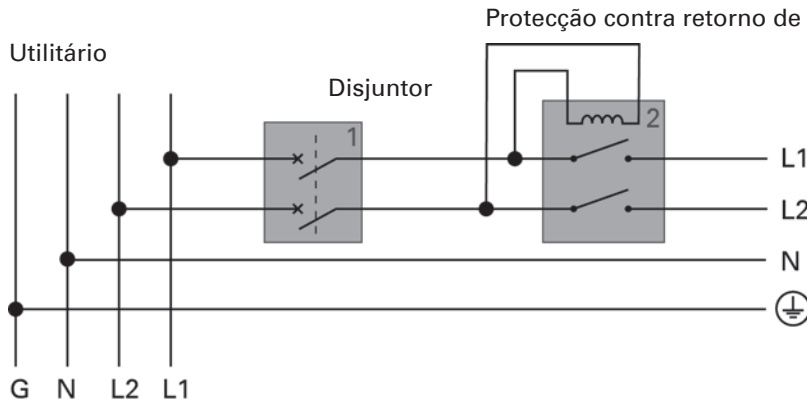


Caso tenha encomendado outros acessórios para a UPS, consulte os respectivos manuais do utilizador, para verificar a ligação à UPS.

5. Ligação de cabos de alimentação

5.1 Requisitos de instalação

Secções transversais de cabo e dispositivos de protecção recomendada



Nota: Não alimente o neutro através do disjuntor ou do retorno de energia.

1. Protecção a montante recomendada

| | Potência nominal da UPS | Disjuntor a montante |
|------------|-------------------------|----------------------|
| 9PX 8K SP | 8000VA | Curva D - 60A |
| 9PX 10K SP | 10000VA | Curva D - 60A |

2. Recomenda-se a protecção contra retorno de energia

Um dos seguintes contactores CA, usados como dispositivos de protecção contra retorno de energia, deve ser instalado externamente à entrada principal da UPS. São recomendados os contactores Eaton XCE050D seguintes.

Note que o contactor adequado deve ser fornecido com base na tensão no local.

| Contactor série EATON XTCE050D | | | | | | | | | | |
|--------------------------------|--------------------|-------|---------|-----|-------|-----|---------|-----|-------|-----|
| Tensão Nominal da Bobina | | | Recolha | | Saída | | Recolha | | Saída | |
| | Referência da peça | Freq. | Min | Max | Min | Max | Min | Max | Min | Max |
| 208 | XTCE050D00D | 60 | 0,8 | 1,1 | 0,3 | 0,6 | 166 | 229 | 62 | 125 |
| 220 | XTCE050D00G | 60 | 0,8 | 1,1 | 0,3 | 0,6 | 176 | 242 | 66 | 132 |
| 240 | XTCE050D00B | 60 | 0,8 | 1,1 | 0,3 | 0,6 | 192 | 264 | 72 | 144 |

| Fabrico | Tipo | Classificação |
|--------------|---------|----------------------------------|
| Moeller GMBH | DILM-50 | Uso geral - 80A, 600VAC, 50/60Hz |

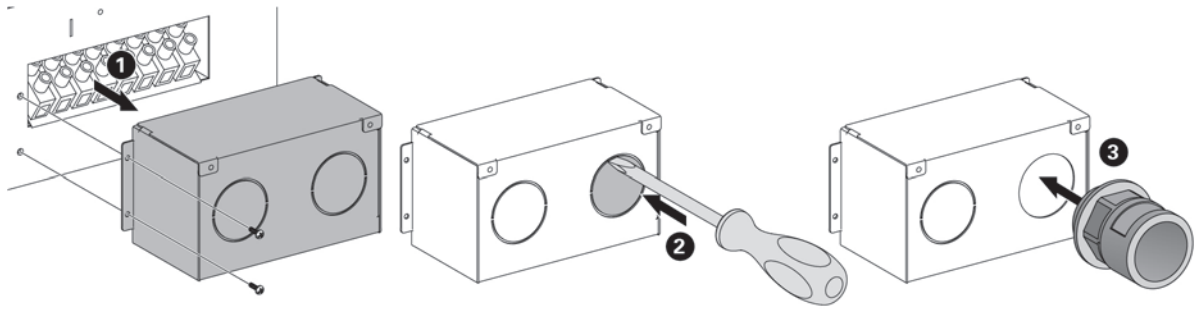
3. Tamanho do cabo recomendado

| Posição do terminal | Função de fio | Classificação de dimensão de fio de terminal | Dimensão mínimo de fio de entrada | Binário de aperto |
|---------------------|---------------|--|---|--------------------|
| L1 | Fase | 8-4 AWG (10-25 mm ²) | 6 AWG (75°C) Para 9PX 8K SP 4 AWG (75°C) Para 9PX 10K SP | 18 lb in / 2.03 Nm |
| L2 | Fase | | | |
| N | Neutro | | | |
| ⊕ | Terra | | | |

Fio de cobre, sólido ou entrançado.

5. Ligação de cabos de alimentação

5.2 Acesso a bloco de terminais



- Retire a tampa dos blocos de terminais (2 parafusos).
- Pressione os ejectores e insira os cabos/conduatas.



Corrente elevada:

É necessário efectuar a ligação terra antes de ligar a alimentação eléctrica.

5.3 Ligação de Entrada/Saída com fios



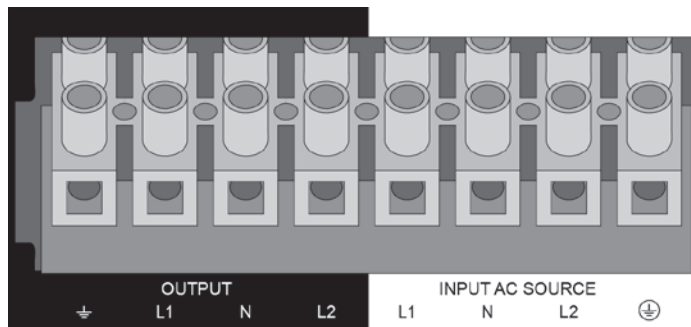
Este tipo de ligação deve ser realizado por pessoal qualificado de competência eléctrica

Antes de realizar qualquer ligação, verifique se os dispositivos de protecção a montante (Input AC source) está aberta ("O") (DESLIGADA).

Ligue sempre primeiro o fio de terra.



Se encomendou um Bypass de manutenção externo, como por exemplo, o BPE20MBB1A, consulte o manual de utilizador específico para verificar a ligação dos blocos do terminal da UPS a este acessório.

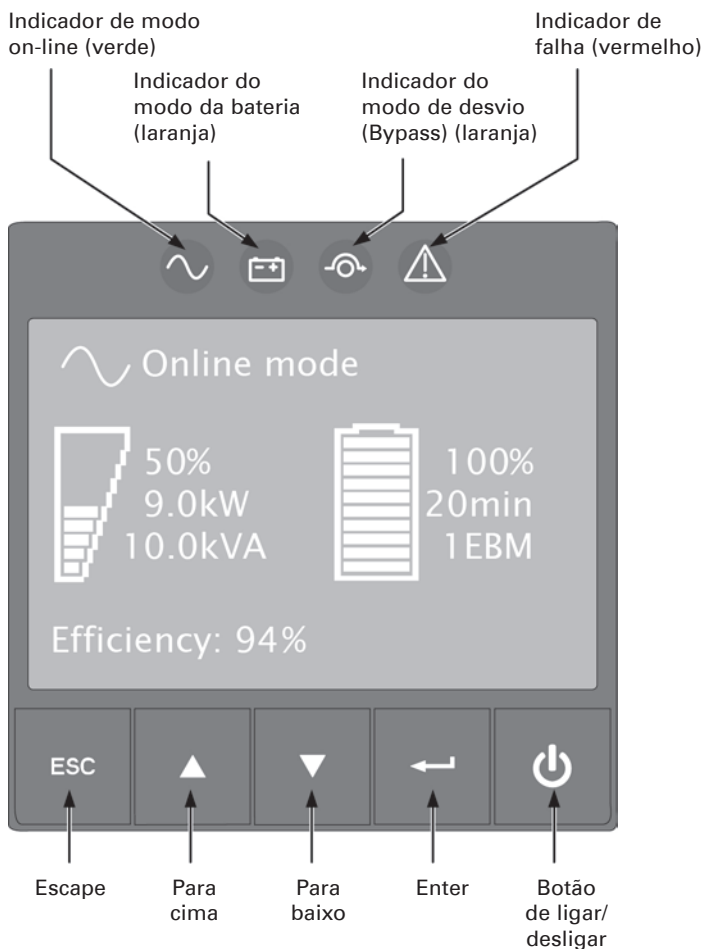


1. Introduza o cabo da fonte "Input AC" no prensa-cabo.
2. Ligue os 4 cabos ao bloco de terminal de fonte "Input AC source".
3. Introduza o cabo de saída no prensa-cabo.
4. Ligue os 4 cabos ao bloco de terminal de saída.
5. Volte a colocar e prenda a cobertura do bloco de terminal com os parafusos.
6. Aperte os prensa-cabos.

6. HMI e definições

6.1 Painel de controle

O UPS possui um LCD gráfico de cinco botões. Este fornece informações úteis acerca do próprio UPS, estado de carga, eventos, medições e definições.



A tabela seguinte apresenta o estado do indicador e a descrição:

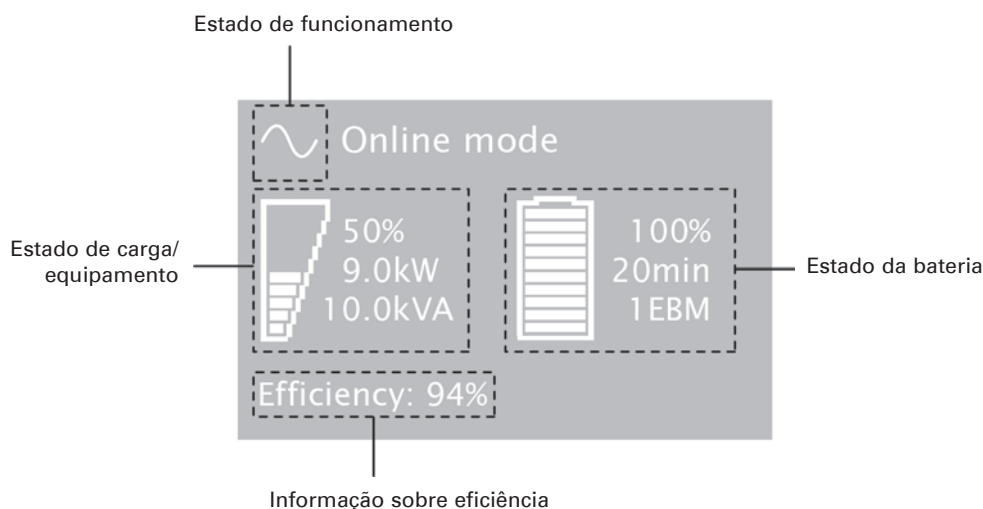
| Indicador | Estado | Descrição |
|-----------|--------|---|
| Verde | Ligado | A UPS está a funcionar normalmente no modo on-line ou de eficiência elevada. |
| Laranja | Ligado | O UPS está funcionando em modo de bateria |
| Laranja | Ligado | A UPS está no modo bypass. |
| Vermelho | Ligado | O UPS tem um alarme ou falha ativa. Consulte "Resolução de problemas", página 40 para obter informações adicionais. |

6. HMI e definições

6.2 Descrição do LCD

Por predefinição ou após 5 minutos de inatividade, o LCD apresenta o protetor de tela.

A luz de fundo do LCD diminui automaticamente passados 10 minutos de inatividade. Pressione qualquer botão para restaurar a tela.



A tabela seguinte descreve a informação de estado fornecida pelo UPS.

Nota: Se for apresentado outro indicador, consulte "Resolução de problemas", página 40 para obter informações adicionais.

| Estado de funcionamento | Causa | Ação |
|--|---|--|
| <p>Modo Bypass</p> | O UPS está desligado. | O equipamento não se encontra ligado até que o botão seja pressionado |
| <p>Modo on-line</p> | O UPS está funcionando normalmente. | O UPS está fornecendo alimentação e protegendo o equipamento. |
| <p>Modo bateria</p> <p>1 sinal sonoro a cada 10 segundos</p> | Ocorreu uma falha de corrente elétrica e o UPS está em modo de bateria. | O UPS está fornecendo alimentação ao equipamento através da bateria. Prepare o seu equipamento para desativação. |
| <p>Fim do tempo de autonomia</p> <p>1 sinal sonoro a cada 3 segundos</p> | O UPS está em modo de bateria e a bateria está com pouca carga. | Esta advertência é aproximada e o tempo efectivo para desactivação pode variar de forma significativa. Dependendo da carga da UPS e do número de módulos de bateria com autonomia prolongada (EBM), a advertência de "Bateria fraca" pode ocorrer antes desta atingir 20% de capacidade. |
| <p>Modo de eficiência elevada</p> | A UPS está a funcionar no modo de eficiência elevada. | A UPS está a fornecer alimentação e a proteger o equipamento. |
| <p>Modo Bypass</p> | Ocorreu uma sobrecarga ou uma falha, ou foi recebido um comando e a UPS encontra-se no modo bypass. | O equipamento está ligado, mas não está protegido pela UPS. |

6. HMI e definições

6.3 Funções do monitor

Pressione o botão Enter (↵) para ativar o menu de opções. Utilize os dois botões do meio (▲ e ▼) para se deslocar pela estrutura do menu. Pressione Enter (↵) para selecionar uma opção. Pressione o botão ESC para cancelar ou regressar ao menu anterior.


| Menu principal | Submenu | Informação no ecrã ou função do menu |
|---------------------|---------------------------------|---|
| Medidas | | [Total Load] W VA A PF / [Load phase 1 (N-L1)] W VA A PF / [Load phase 2 (N-L2)] W VA A PF / [Input/Bypass] V- L1 V- L2 Hz / [Total Output (L1-L2)] V Hz (N-L1)V (N-L2)V / [Efficiency] % / [Battery] % min V1 V2 / [DC bus] V / [Average power usage] Wh / [Cumulat. power usage] kWh since date |
| Controle | Vá a Bypass / Regresse a normal | Transfere a UPS no modo Bypass / Transfere a UPS no modo Linha |
| | Iniciar teste bat. | Inicia um teste de bateria manual |
| | Limpar estado falha | Limpa uma falha activa |
| | Restaur. de Fábrica | Repõe todas as definições aos valores originais |
| | Limpar consum medio | Limpa a medição de consumo médio de energia |
| | Limpar consum total | Limpa a medição de consumo total de energia |
| | Teste contact. secos | Testa as saídas do relé de contactos secos |
| Definições | Definições locais | Define os parâmetros gerais do produto |
| | Defin. Entrada/Saída | Define os parâmetros de saída |
| | Definições On/Off | Define as condições de ligar/desligar |
| | Definições bateria | Define a configuração da bateria |
| Registro de eventos | Filtro evento | Selecciona falhas, alarmes e/ou eventos a serem apresentados |
| | Lista Eventos | Apresenta os eventos guardados |
| | Limpar lista eventos | Limpa os eventos |
| Registro de falhas | Lista de falhas | Apresenta as falhas guardadas |
| | Limpar lista falhas | Limpa as falhas |
| Identificação | | [Tipo produto/modelo] / [Produto/Número série] / [UPS/NMC firmware] / [Morada COM card IPv4], [Morada COM card IPv6], [MACADDRESS Carta Com] / [Acessórios detectados] |
| Registrar Produto | | Abre o website de registo da Eaton |

6.4 Definições do usuário

A tabela seguinte apresenta as opções que podem ser alteradas pelo usuário.

| | Submenu | Definições disponíveis | Predefinições |
|----------------------|---------------------|---|---|
| Definições locais | Língua | [English] [Français] [Español] [Português] Os menus, estados, avisos e alarmes, falha do UPS, dados de registo de eventos e definições encontram-se presentes em todos os idiomas suportados | [English] Seleccionável pelo usuário quando o UPS é ligado pela primeira vez |
| | Formato data/hora | Formato: [Internacional] [EUA] | [EUA] |
| | LCD | Modificar o brilho e contraste do LCD para o adaptar às condições de iluminação da sala. | |
| | Alarme sonoro | [Activado] [Desact. em bateria] [Sempre desactivado] Activar ou desactivar o besouro se ocorrer um alarme. | [Activado] |
| Defin. Entrada/Saída | Tensão de saída | [100V] [110V] [115V] [120V] [127V] Pode ser alterado apenas no modo de espera | [120V] |
| | Frequência saída | Convertor de frequências: [Activado] [Desactiva.] Frequência configurável no modo de conversor de frequências | [Desactiva.] |
| | Modo saída | [Industrial] [Rede] Configurar o comportamento da UPS no que diz respeito à transferência | [Rede] |
| | Histerese V entrada | Define a histerese de tensão de entrada de 1 a 10 V | [10V] |
| | Modo alta efic. | [Activado] [Desactiva.] Alimentar a saída a partir de Bypass para eficiência elevada | [Desactiva.] |

6. HMI e definições

| | Submenu | Definições disponíveis | Predefinições |
|-----------------------------|--|--|---|
| Defin. Entrada/Saída | Pre-alarme sobrec. | [10%] ... [102%] % da carga em que o alarme de sobrecarga dispara. | [102%] |
| Definições ON/Off | Arranque a frio | [Activado] [Desactiva.] Autorizar o arranque do produto com a energia da bateria. | [Activado] |
| | Reinício forçado | [Activado] [Desactiva.] Se a energia for restabelecida durante uma sequência de encerramento: Se estiver Activada, a sequência de encerramento será concluída e aguardar-se-ão 10 segundos antes do reinício, Se estiver Desactivada, a sequência de encerramento não será concluída e o reinício terá lugar imediatamente. | [Activado] |
| | Auto reinício | [Activado] [Desactiva.] Autorizar o reinício automático do produto quando a energia for restabelecida após o descarregamento completo da bateria. | [Activado] |
| | Arranque auto. | [Activado] [Desactiva.] A UPS arranca automaticamente logo que a energia esteja disponível (não é necessário pressionar o botão ). | [Desactiva.] |
| | Poupança de energia | [Desactiva.] [100W] ... [1000W] Se activado, a UPS é encerrada após 5 minutos no tempo de reserva, se a carga for inferior ao limiar. | [Desactiva.] |
| | Modo de suspensao | [Activado] [Desactiva.] Se estiver desactivado, o LCD e a porta de comunicação irão desligar-se imediatamente depois do desligamento da UPS. Se estiver activado, o LCD e a porta de comunicação permanecem ligados durante 1h30 depois do desligamento da UPS. | [Activado] |
| | Comando remoto | [Activado] [Desactiva.] Se estiver Activado, os controlos de encerramento e reinício a partir do software são permitidos. | [Activado] |
| | Bypass em espera | [Activado] [Desactiva.] Especificar se a saída é alimentada a partir do Bypass no Modo de espera. | [Desactiva.] |
| Ligar/Desligar remoto | Se definido para Bypass para MBP, a UPS será forçada ao bypass estático quando for sinalizado pelo MBP para uma transferência segura. Se definido para Activado, a UPS pode ser desligada ou iniciada através da Ligação/desligação remota. | [Bypass para MBP] | |
| Definições bateria | Auto teste bateria | No modo de carregamento constante: [Sem Teste] [Diario] [Semanal] [Mensal] No modo de variação cíclica de ABM: [Sem Teste] [Em cada ciclo ABM] | [Em cada ciclo ABM] |
| | Aviso bateria fraca | [0%] ... [100%] O alarme é acionado quando a porcentagem definida da capacidade da bateria é atingida durante o tempo de autonomia. | [20%] |
| | Batt reiniciar nível | [0%] ... [100%] Se estiver definido, o reinício automático irá ocorrer apenas quando a porcentagem de carga da bateria for atingida. | [0%] |
| | Modo Carreg Bateria | [Ciclo ABM] [Carga constante] | [Ciclo ABM] |
| | Baterias externas | [Auto detecção] [Conf. EBM manual] [Conf. Bater. manual] [Sem baterias] | [Auto detecção] Utilizando o EBM padrão, a UPS detecta automaticamente o número de EBM ligados |
| | Protc descarga total | [Sim] [Nao] Se Sim, a UPS evita automaticamente que a bateria se descarregue completamente, adaptando o limiar de fim de tensão do tempo de reserva. Caso se seleccione Não, a garantia será invalidada. | [Sim] |

7.1 Arranque e encerramento da UPS








Se encomendou um Bypass de manutenção externo, como por exemplo, o BPE20MBB1A, consulte os manuais de utilizador específicos para verificar a sequência de arranque da UPS com este acessório.

Arranque da UPS



Verifique se as potências nominais totais do equipamento não excedem a capacidade da UPS para impedir um alarme de sobrecarga.

Para iniciar a UPS:

1. Verifique se as baterias internas estão ligadas. Ver "Ligar à bateria interna", página 14.
2. Se EBM opcionais estiverem instalados, verifique se os EBM estão ligados à UPS. Ver "Ligar os EBM", página 20.
3. Verifique se os blocos de terminal da UPS estão ligados à fonte AC.
4. Coloque o disjuntor a montante (não fornecido) na posição "I" (Ligado) para ligar a alimentação do aparelho.
O visor do painel frontal da UPS acende-se e apresenta o logótipo da EATON.
5. Verifique se o visor de estado da UPS mostra , pressione  para iniciar.
6. Pressione o botão  no painel frontal do UPS durante pelo menos 3 segundos.
O painel frontal do UPS muda de estado para "UPS Iniciar...".
7. Verifique a visualização do painel frontal do UPS por quaisquer alarmes ou notificações ativos. Resolva quaisquer alarmes ativos antes de prosseguir. Consulte "Resolução de problemas", página 40.
Se o indicador  estiver ligado, não avance até todos os alarmes tiverem sido resolvidos. Verifique o estado do UPS no painel frontal para ver os alarmes ativos. Corrija os alarmes e reinicie, caso seja necessário.
8. Verifique se o indicador  se acende de forma fixa, indicando que a UPS está a funcionar de forma normal e que quaisquer cargas têm alimentação.
A UPS deve estar no modo on-line.





As baterias internas carregam até 90 % da capacidade em menos de 3 horas. Contudo, a Eaton recomenda que as baterias carreguem durante 48 horas após a instalação ou após armazenamento durante um longo período.

Arranque da UPS com bateria




Antes de utilizar esta funcionalidade, a UPS tem de ter sido alimentada pela alimentação do aparelho com a saída activada pelo menos uma vez. O arranque com bateria pode ser desactivado. Ver a definição em "Arranque a frio", página 26.

Para iniciar a UPS com a bateria :

1. Pressione o botão  no painel frontal da UPS até o visor do painel frontal da UPS se acender e apresentar um estado de "UPS a iniciar...".
A UPS alterna entre o modo de espera e o modo de bateria. O indicador  acende-se de forma fixa. A UPS fornece alimentação ao seu equipamento.
2. Verifique o visor do painel frontal da UPS quanto a alarmes ou notificações. Resolva quaisquer alarmes activos antes de continuar. Ver "Resolução de problemas", página 40.
Verifique o estado da UPS no painel frontal para ver os alarmes activos. Corrija os alarmes e reinicie caso seja necessário.

Desligamento do UPS

Para encerrar o UPS :


1. Pressione o botão  no painel frontal da UPS. A UPS muda para o modo de espera.
2. Coloque o disjuntor a montante (não fornecido) na posição "O" (Desligado) para desligar a alimentação do aparelho.

7. Operação

7.2 Modos de operação


O painel frontal da Eaton 9PX indica o estado da UPS, através de indicadores. Ver página 25

Modo on-line

Durante o modo On-line, o indicador  acende-se de forma fixa e a UPS é alimentada a partir do aparelho.

A UPS monitoriza e carrega as baterias conforme necessário e fornece protecção de alimentação filtrada ao seu equipamento. As definições de Eficiência elevada opcional e de Poupança de energia minimizam a contribuição de calor para o ambiente de bastidor. Ver "Definições do usuário", página 25.


Modo bateria

Quando a UPS está a funcionar durante uma falha de alimentação, o alarme soa uma vez a cada cinco segundos e o indicador  acende-se de forma fixa.

Quando a alimentação do aparelho é restituída, a UPS transfere para operação do modo On-line enquanto a bateria recarrega. Se a capacidade da bateria ficar fraca durante a operação em modo de bateria, é emitido um sinal sonoro a cada 3 segundos. Este aviso é aproximado e o tempo efectivo para o encerramento poderá variar significativamente.

Encerre todas as aplicações no equipamento ligado, porque o encerramento automático da UPS está iminente. Quando a alimentação do aparelho é restituída após a UPS encerrar, a UPS reinicia automaticamente.

Modo Bypass

No caso de uma sobrecarga da UPS ou de falha interna, a UPS transfere o seu equipamento para alimentação do aparelho. O modo de bateria não está disponível e o seu equipamento não está protegido; contudo, a alimentação do aparelho continua a ser filtrada de forma passiva pela UPS. O indicador  acende-se.

Dependendo das condições de sobrecarga, a UPS permanece no modo de Bypass durante um mínimo de 5 segundos e manter-se-á nesse modo se ocorrerem três mudanças para Bypass durante um período de 20 minutos.

A UPS transfere para modo de bypass quando :

- o utilizador activa o modo de bypass através do painel frontal.
- a UPS detecta uma falha interna.
- a UPS possui um estado de excesso de temperatura.
- a UPS possui um estado de sobrecarga na "Saída eléctrica", página 44.



A UPS encerra após um atraso especificado por estado de sobrecarga listado na "Saída eléctrica", página 44. A UPS mantém-se ligada para dar o alarme da falha.

Modo de eficiência elevada

No modo de eficiência elevada, a UPS funciona normalmente no modo Bypass e efetua a transferência para o on-line (ou Bateria) em menos de 10 ms quando o utilitário falha. As transferências para o modo de eficiência elevada ficarão ativas após 5 minutos de monitorização da tensão do Bypass: se a qualidade do Bypass não estiver dentro da tolerância, então a UPS permanecerá no modo on-line.



A Eaton recomenda que se utilize apenas o modo HE para proteger equipamento de TIC.

Para definir o modo de eficiência elevada:

1. Coloque a UPS em Bypass: pressione qualquer botão para ativar as opções do menu e, em seguida, selecione Controlo e Ir para Bypass
2. Em seguida, prima ESC (Escape) e selecione Definições, definições Entrada/Saída e o modo de eficiência elevada.
3. Seleccione Activado e pressione Enter para confirmar.
4. L'UPS passe no modo de eficiência elevada em 5 minutos.

Modo de espera

Quando é encerrada e continua ligada a uma tomada CA, a UPS encontra-se em modo de espera. Se a definição de Bypass em espera estiver activada, a saída é alimentada mas não protegida. A bateria é recarregada quando necessário e as portas de comunicação são alimentadas.

7.3 Transferir a UPS entre modos

From Online (or Battery) to Bypass mode. Do modo on-line (ou bateria) para bypass. Pressione qualquer botão para activar as opções do menu e, em seguida, seleccione CONTROLO e IR PARA BYPASS.

From Bypass to Online (or Battery) mode. Do modo bypass para on-line (ou bateria). Pressione qualquer botão para activar as opções do menu e, em seguida, seleccione CONTROLO e IR PARA NORMAL.

7.4 Configurar definições de Bypass

As definições seguintes estão disponíveis para configuração do funcionamento Bypass.

Transferência para Bypass fora de tolerância

1. Pressione qualquer botão para activar as opções do menu, seleccione Definições, Definições de saída e, por fim, Transferência para Bypass.
2. Seleccione Activado ou Desactivado para BP AC NOK e pressione Enter para confirmar.
Se Activado, a UPS muda para Bypass, mesmo que a fonte CA de Bypass esteja fora da tolerância, dependendo do modo de saída. Se Desactivado, a saída da UPS é encerrada.

Tempo de interrupção

Esta definição serve para definir a duração do intervalo entre a transferência para Bypass, apenas se a transferência fora da tolerância estiver activada. É possível seleccionar 10 ms ou 20 ms.

7.5 Configurar definições da bateria

Teste automático da bateria

No modo de carregamento constante, são realizados testes automáticos com periodicidade semanal e em cada ciclo no modo ABM. A frequência dos testes pode ser alterada.

Durante o teste, a UPS muda para o modo de bateria e descarrega as baterias durante 25 segundos sob tensão.



Durante o teste da bateria, o modo de bateria não é apresentado e o alarme de bateria fraca não dispara.

O teste da bateria pode ser cancelado devido a más condições ou se falhar.

Aviso de bateria fraca

Durante o descarregamento, se a capacidade da bateria descer abaixo de 20%, o alarme de bateria fraca dispara. Este limiar pode ser modificado.

Definir bateria externa

O número de módulo de bateria com autonomia prolongada é detectado automaticamente ou pode ser definido manualmente em número de EBM ou em Ah.

Protecção contra descarga completa

Esta definição é recomendada para evitar danos na bateria. Se a protecção contra descarga completa da bateria for desactivada, a garantia será invalidada.

7. Operação

7.6 Recuperar o registo de eventos

Para recuperar o registo de eventos através do visor:

1. Pressione qualquer botão para activar as opções do menu e, em seguida, seleccione REGISTO DE EVENTOS.
2. Percorra os eventos listados.

7.7 Obter o Registo de falhas

Para obter o registo de falhas através do visor:

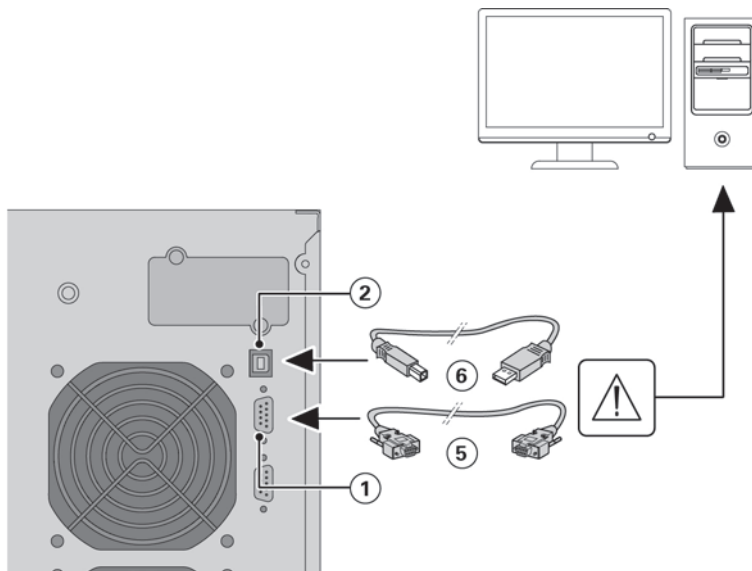
1. Pressione qualquer botão para activar as opções do menu e, em seguida, seleccione Registo de falhas.
2. Percorra as falhas listadas.

8. Comunicação

8.1 Portas de comunicação

- **Conexão da porta de comunicação RS232 ou USB**

As portas de comunicação RS232 e USB não podem funcionar simultaneamente.

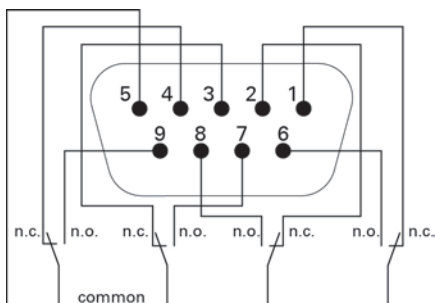


1. Conecte o cabo de comunicação RS232 ⑤ ou USB ⑥ à porta serial ou USB do computador.
2. Conecte a outra extremidade do cabo de comunicação ⑤ ou ⑥ à porta de comunicação RS232 ① ou USB ② do UPS.

O **UPS** pode agora comunicar com o software de gerenciamento de energia da EATON.

- **Contactos de saída do relé**

A UPS inclui quatro saídas de relé; cada informação é disponibilizada através de um contacto fechado ou aberto.



Informação activa de estado: (se o contacto entre pino e comum estiver fechado)

- Pino 1: não em Bypass
- Pino 2: alimentação não protegida
- Pino 3: bateria não fraca
- Pino 4: bateria não activa
- Pino 5: comum (utilizador)
- Pino 6: em bypass
- Pino 7: bateria fraca
- Pino 8: alimentação protegida
- Pino 9: bateria activa
- n.o.: contacto aberto normalmente
- n.c.: contacto fechado normalmente

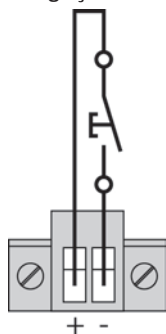


Os contactos de saída do relé não devem ser ligados a quaisquer circuitos ligados ao aparelho. É necessário isolamento reforçado para o aparelho. Os contactos de saída do relé têm uma classificação máxima de 250 Vac/5A.

8. Comunicação

• Ligação/desligação remota (ROO)

A ligação/desligação remota permite accionar remotamente o botão  para ligar/desligar a UPS.



Normalmente aberto

Quando o contacto muda de aberto para fechado, a UPS é ligada (ou permanece ligada).

Quando o contacto muda de fechado para aberto, a UPS é desligada (ou permanece desligada).



O controlo de ligação/desligação através do botão  tem prioridade sobre o controlo remoto.

A Ligação/desligação remota não está em Activado como predefinição e tem de ser Activada através do menu.

• Desactivação remota (RPO)

RPO é utilizada para encerrar a UPS à distância. Esta funcionalidade pode ser utilizada para encerrar a carga e a UPS por relé térmico, por exemplo na eventualidade de uma temperatura excessiva da divisão.

Quando a RPO está activada, a UPS encerra a saída e todos os seus conversores de alimentação imediatamente. A UPS mantém-se ligada para dar o alarme da falha.



O circuito RPO é um circuito de tensão baixa de segurança adicional (SELV) IEC 60950.

Este circuito tem de ser separado de quaisquer circuitos de tensão perigosos por isolamento reforçado.



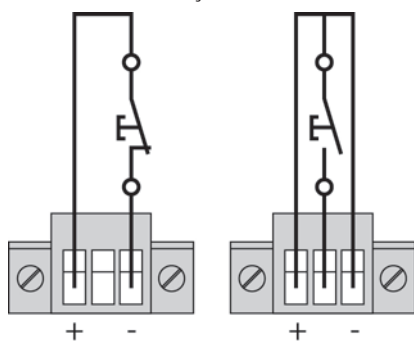
- O RPO não deve ser ligado a qualquer circuito ligado a um aparelho. É necessário isolamento reforçado para o aparelho. O interruptor RPO tem de ter uma potência nominal mínima de 27 Vcc e 20 mA e ser de interruptor de tipo de bloqueio dedicado não associado a qualquer outro circuito. O sinal RPO tem de permanecer activo durante pelo menos 250 ms para uma operação adequada.
- Para assegurar que a UPS pára de fornecer alimentação à carga durante qualquer modo de operação, a alimentação de entrada tem de ser desligada da UPS quando a função de desactivação remota está activada.



Deixe o conector RPO instalado na porta RPO da UPS mesmo que a função RPO não seja necessária.

RPO connections:

Fonte de alimentação interna



Normalmente
fechado

Normalmente
aberto

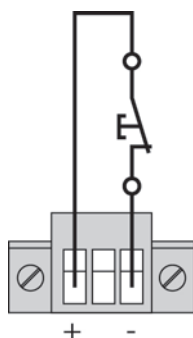
A classificação de dimensão de fio de terminal é de 0,32-4 mm² (22-12 AWG).

A dimensão de fio sugerida é de 0,82 mm² (18 AWG).

8. Comunicação

Ligação e teste de controlo remoto

1. Verifique se a UPS está encerrada e se a rede de alimentação eléctrica está desligada.
2. Retire o conector RPO da UPS desapertando os parafusos.
3. Ligue um contacto sem tensão normalmente fechado entre os dois pinos do conector.



Normalmente fechado

Contacto aberto: encerramento da UPS
Para regressar à operação normal, desactive o contacto de encerramento remoto externo e reinicie a UPS a partir do painel frontal.

4. Ligue o conector RPO na parte traseira da UPS e fixe os parafusos.
5. Ligue e reinicie a UPS em conformidade com os procedimentos anteriormente descritos.
6. Active o contacto de encerramento remoto externo para testar a função.



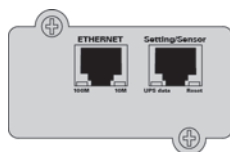
Teste sempre a função RPO antes de aplicar a sua carga crítica para evitar a perda acidental da carga.

• Placas de conectividade

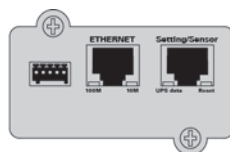
As placas de conectividade permitem à UPS comunicar com uma variedade de ambiente de rede e com diferentes tipos de dispositivos. Os modelos 9PX têm um painel de comunicação para as seguintes placas de conectividade:

- **Network-MS card (standard)** - tem capacidades SNMP e HTTP bem como monitorização através de uma interface de navegador Web; liga-se a uma rede Ethernet. Para além disso, pode ser ligada uma sonda de monitorização ambiental para obter informação sobre humidade, temperatura, detector de fumo e segurança.
- **Modbus-MS card** - proporciona a ligação ao protocolo Modbus, para além da gestão da rede.
- **Relay-MS card** - tem saídas de relé de contacto seco isoladas (Form-C) para o estado da UPS: falha do aparelho, bateria fraca, alarme da UPS/OK ou Em Bypass.

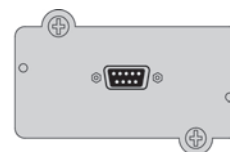
Ver "Instalação das placas de comunicação", página 34 para a localização do painel de comunicação.



Network-MS card (standard)



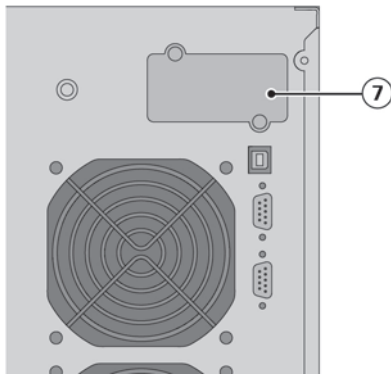
Modbus-MS card



Relay-MS card

8. Comunicação

Instalação das placas de comunicação



Não é necessário desligar o UPS antes de instalar a placa de comunicação.

1. Retire a tampa do encaixe ⑦ presa por parafusos.
2. Insira a placa de comunicação no encaixe.
3. Prenda a tampa da placa com os 2 parafusos.

8.2 Conjunto de software Eaton Intelligent Power

Cada UPS 9PX é fornecida com um conjunto de software Eaton Intelligent Power. Para iniciar a instalação, consulte as instruções que acompanham o CD do conjunto de software.

O Conjunto de software Eaton disponibiliza gráficos actualizados de potência da UPS, dados do sistema e fluxo de alimentação.

Também lhe fornece um registo completo de eventos de alimentação críticos e notifica-o de informação de alimentação e da UPS importante.

Se ocorrer uma falha de alimentação e a alimentação da bateria da UPS 9PX ficar fraca, o Conjunto de software Eaton pode encerrar automaticamente o seu sistema informático para proteger os seus dados antes de ocorrer um encerramento da UPS.

9. Manutenção da UPS

9.1 Manutenção do equipamento

Para uma melhor manutenção preventiva, mantenha a área em redor do equipamento limpa e isenta de poeiras. Se a atmosfera estiver muito poeirenta, limpe o exterior do sistema com um aspirador. Para uma vida útil completa da bateria, mantenha o equipamento a uma temperatura ambiente de 77°F (25°C).



Se a UPS necessitar de algum tipo de transporte, verifique se a UPS está desligada da corrente e desactivada. As baterias na UPS estão classificadas para uma vida útil de 3 a 5 anos. A duração da vida útil varia, dependendo da frequência de utilização e da temperatura ambiente. As baterias usadas para além da vida útil prevista irão frequentemente apresentar tempos de funcionamento acentuadamente reduzidos. Substitua as baterias pelo menos a cada 4 anos para manter as unidades a funcionar com a máxima eficiência.

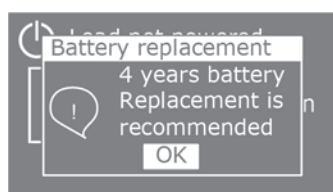
9.2 Armazenar o equipamento

Se armazenar o equipamento durante um longo período de tempo, recarregue a bateria a cada 6 meses ligando a UPS à alimentação do aparelho. As EBM carregam até 90 % da capacidade em menos de 3 horas. Contudo, a Eaton recomenda que as baterias carreguem durante 48 horas após armazenamento durante um longo período.

Verifique a data de recarga da bateria na etiqueta da caixa de expedição. If the date has passed and the batteries were never recharged, do not use them. Contacte o seu representante de assistência técnica.

9.3 Quando substituir as baterias

As baterias devem ser substituídas quando aparecer o ecrã de substituição das baterias. Contacte o seu representante de assistência técnica para encomendar novas baterias.



9. Manutenção da UPS

9.4 Substituir baterias



NÃO DESLIGUE as baterias enquanto a UPS estiver no modo de bateria.

As baterias podem ser substituídas facilmente sem desligar a UPS ou desligar a carga.

Se a assistência técnica preferir remover a alimentação de entrada para substituir as baterias, consulte "Desligamento do UPS", página 27.



Tenha em consideração todas as advertências, avisos e notas antes de substituir as baterias.

- A assistência técnica deve ser realizada por pessoal de assistência qualificado com conhecimentos de baterias e das precauções necessárias. Mantenha as pessoas não autorizadas afastadas das baterias.
- As baterias podem apresentar um risco de choque eléctrico ou de queimadura provocada por corrente de curto-circuito elevada. Cumpra as seguintes precauções:
 1. Retire relógios, anéis ou outros objectos metálicos,
 2. Utilize ferramentas com pegas isoladas,
 3. Não pouse ferramentas ou peças metálicas em cima das baterias,
 4. Use botas e luvas de borracha.
- Ao substituir as pilhas, substitua-as por baterias ou conjuntos de baterias do mesmo tipo e número. Contacte o seu representante de assistência técnica para encomendar novas baterias.
- É necessária a eliminação adequada das baterias. Consulte a sua legislação local relativamente aos requisitos de eliminação.
- Nunca deite as baterias para o lume. As baterias podem explodir quando expostas a chamas.
- Não abra ou mutile a bateria ou baterias. O electrólito libertado é nocivo para a pele e olhos e pode ser extremamente tóxico.
- Determine se a bateria está inadvertidamente ligada à terra. Se estiver, retire a fonte da terra. O contacto com qualquer parte de uma bateria ligada à terra pode resultar em choque eléctrico. A probabilidade de um tal choque pode ser reduzida se essas ligações de terra forem removidas durante a instalação e manutenção (aplicável a equipamento e alimentações por bateria remota que não tenham um circuito de alimentação ligado à terra).
- PERIGO DE ENERGIA ELÉCTRICA. Não tente alterar qualquer ligação eléctrica ou conectores da bateria. Tentar alterar a ligação eléctrica pode provocar ferimentos.
- Desligue a fonte de carregamento antes de ligar ou desligar os terminais da bateria.

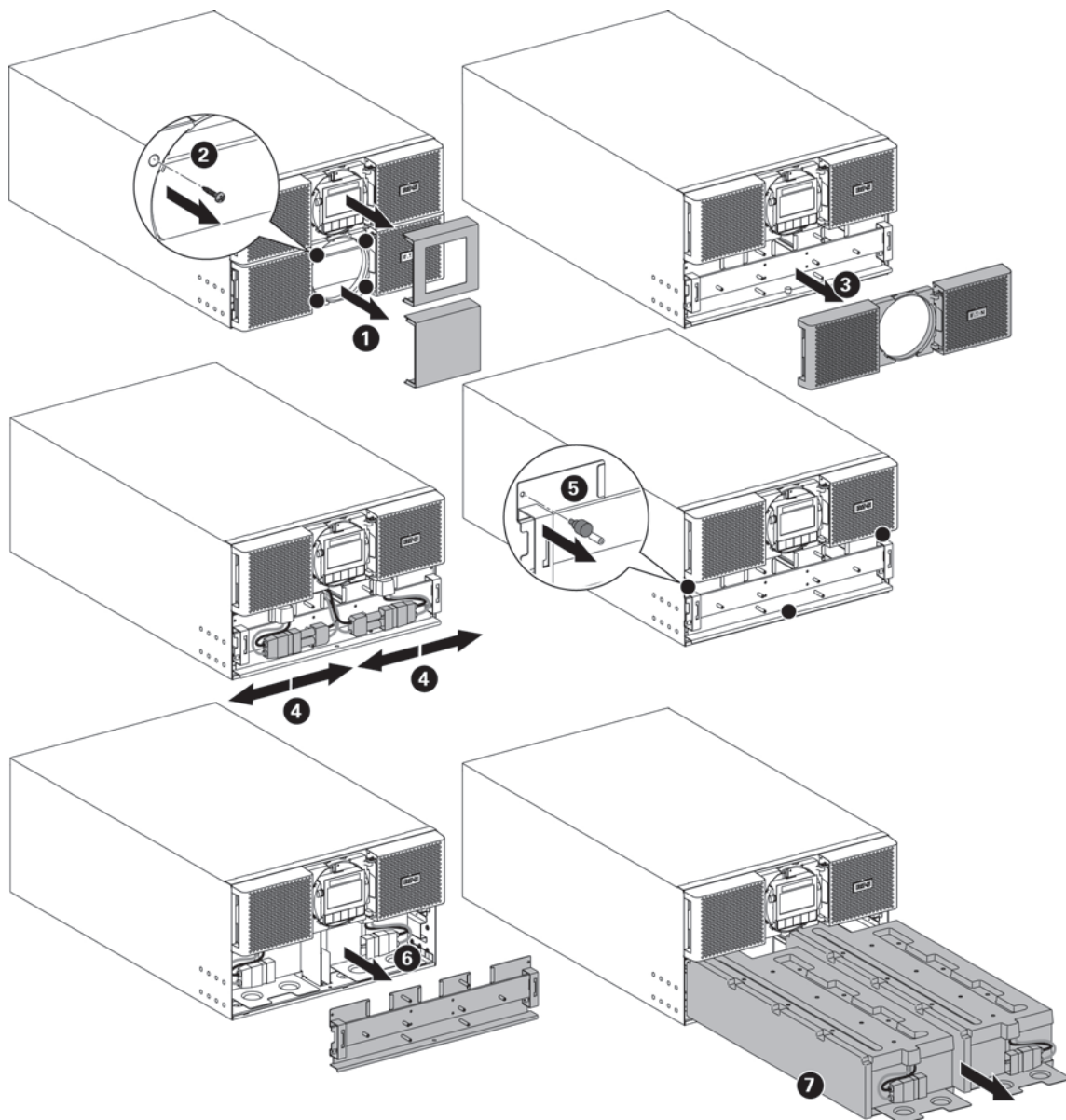
9. Manutenção da UPS

• Substituir a bateria interna da UPS



A bateria interna é pesada. Tenha cuidado ao manusear as baterias pesadas.

| Descrição | Peso (lb/kg) |
|----------------------------|--------------|
| 9PX 8K SP bateria interna | 67.3 / 30.5 |
| 9PX 10K SP bateria interna | 67.3 / 30.5 |



Para substituir a bateria:

- Retire as duas coberturas centrais do painel dianteiro.
- Retire os quatro parafusos para remover o painel dianteiro inferior.
- Retire os dois parafusos para retirar a tampa de protecção metálica da bateria.



Um cabo de fita liga o painel de controlo do LCD à UPS. Não puxe pelo cabo nem o desligue.

- Puxe a pega de plástico da bateria, retire a bateria puxando-a lentamente e coloque-a sobre uma superfície plana e estável. Segure as baterias com as duas mãos. Ver "Reciclar a bateria usada ou a UPS", página 39 para informação sobre uma eliminação apropriada.
- Verifique se as baterias de substituição têm a mesma classificação que as baterias a serem substituídas.
- Deslize o conjunto de bateria novo para dentro da UPS. Empurre a bateria com firmeza, para garantir uma ligação adequada.
- Reparafuse a tampa de protecção metálica e o painel frontal e encaixe a tampa central.
- Avance para "Testar baterias novas", página 38.

9. Manutenção da UPS

• Substituir EBM

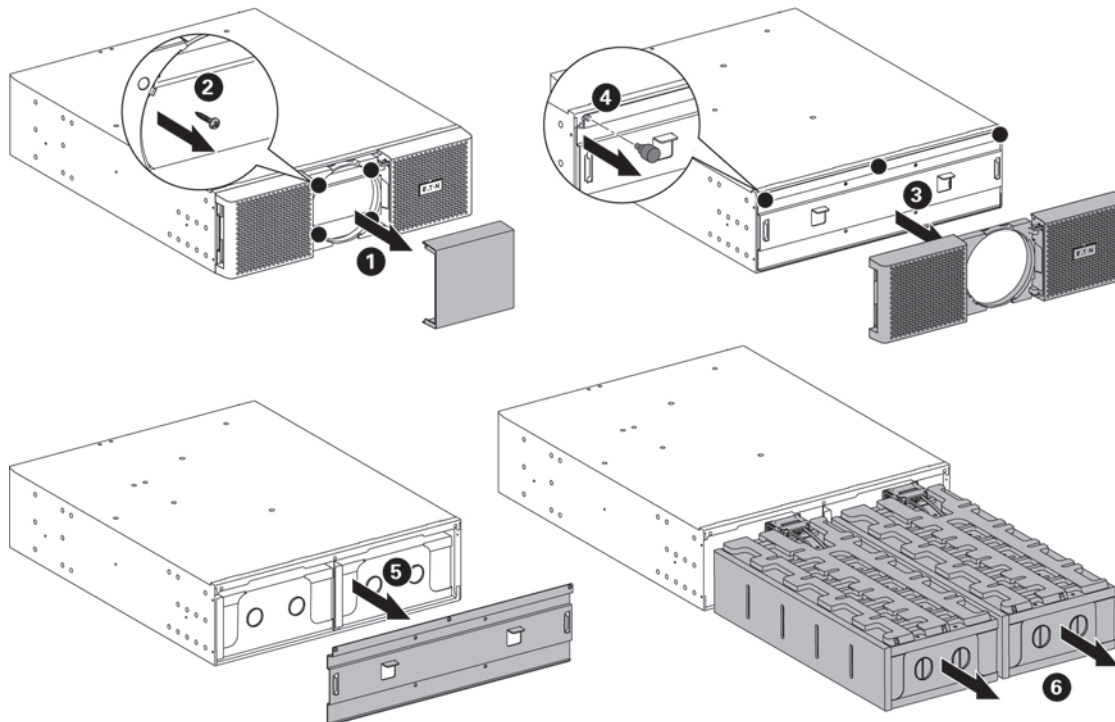


O EBM é pesado. Levantar o armário para o bastidor exige um mínimo de duas pessoas da assistência técnica.

| Descrição | Peso (lb/kg) |
|---------------------------------------|--------------|
| 9PX EBM 360K SP | 163.2 / 74 |
| 9PX EBM 360K SP sem a bateria interna | 28.7 / 13 |
| 9PX EBM 360K SP bateria interna | 67.3 / 30.5 |

Para substituir os EBM:

1. Desligue o cabo de alimentação do EBM e o cabo de detecção da bateria da UPS.
Se houver outros EBM instalados, desligue o cabo de alimentação e o cabo de detecção de bateria de cada EBM.



Para facilitar a substituição do EBM:

Pode remover o pacote de bateria do EBM como explicado abaixo.

- Retire a tampa central do painel frontal.
 - Retire os dois parafusos para abrir o lado esquerdo do painel frontal.
 - Retire os dois parafusos para retirar a tampa de protecção metálica da bateria.
 - Puxe a pega de plástico da bateria, retire a bateria puxando-a lentamente e coloque-a sobre uma superfície plana e estável. Segure as baterias com as duas mãos. Ver "Reciclar a bateria usada ou a UPS", página 39 para informação sobre uma eliminação apropriada.
2. Substitua os EBM. Ver "Reciclar o equipamento usado" na página 37 para informação sobre uma eliminação apropriada.



É possível a ocorrência de um pequeno centelamento ao ligar um EBM à UPS. Isto é normal e não irá provocar ferimentos ao pessoal. Introduza o cabo do EBM no conector da bateria da UPS de forma rápida e firme.

3. Ligue o(s) cabo(s) de EBM ao(s) conector(es) da bateria. Podem ser ligados até 12 EBM à UPS.
4. Verifique se as ligações dos EBM estão apertadas e se existe um raio de curvatura e um protector para cada cabo.
5. Ligue os cabos de detecção da bateria aos conectores da UPS e dos EBM.

• Testar baterias novas

Para testar baterias novas :

1. Carregue as baterias durante 48 horas.
2. Pressione qualquer botão para activar as opções do menu.
3. Selecciona Controlo e, em seguida, Iniciar teste da bateria.

A UPS inicia um teste de bateria se as baterias estiverem completamente carregadas, se a UPS estiver no modo normal sem nenhum alarme activo e se a tensão de bypass for aceitável. Durante o teste da bateria, a UPS muda para o modo de bateria e descarrega as baterias durante 25 segundos. O painel frontal apresenta a indicação "A realizar teste de bateria" e a percentagem do teste concluída.

9. Manutenção da UPS

9.5 Substituir a UPS equipada com um Bypass de Manutenção

O Bypass de Manutenção permite que a assistência substitua a UPS sem interromper as cargas ligadas.

Consulte o manual de utilizador específico para obter mais informações sobre o Bypass de Manutenção.

9.6 Reciclar a bateria usada ou a UPS

Contacte o seu centro de reciclagem ou de tratamento de resíduos perigosos local para mais informações sobre a eliminação adequada do equipamento usado.



- Não deite a bateria ou baterias para o lume. As baterias podem explodir. É necessária a eliminação adequada das baterias. Consulte a sua legislação local relativamente aos requisitos de eliminação.
- Não abra ou mutile a bateria ou baterias. O electrólito libertado é nocivo para a pele e olhos. Pode ser tóxico.



Não deite a UPS ou as baterias da UPS para o lixo. Este produto contém baterias de ácido e chumbo seladas e deve ser eliminado de forma adequada. Para mais informações, contacte o seu centro de reciclagem/reutilização ou de tratamento de resíduos perigosos local.

Pb



Não elimine os resíduos de equipamentos eléctricos e electrónicos (REEE) no lixo. Para uma eliminação adequada, contacte o seu centro de reciclagem/reutilização ou de tratamento de resíduos perigosos local.

10. Resolução de problemas

A Eaton 9PX foram concebidas para uma operação durável e automática, e alertam-no sempre que possam ocorrer problemas potenciais. Geralmente os alarmes mostrados pelo painel de controlo não significam que a potência de saída seja afectada. Em vez disso, são alarmes preventivos destinados a alertar o utilizador.

- Eventos são informações de estado silenciosas que são registadas no Registo de eventos.
Exemplo = "AC Freq. in serie".
- os alarmes são guardados no registo de eventos e apresentados no ecrã de estado do LCD com o logótipo a piscar. Alguns alarmes podem ser acompanhados de um sinal sonoro a cada 3 segundos.
Exemplo = "Bateria fraca".
- as falhas são indicadas por um sinal sonoro contínuo e pelo LED vermelho, são registadas no Registo de falhas e apresentadas no LCD, numa caixa de mensagem específica.
Exemplo = Curto-circuito saída.






Utilize a tabela de resolução de problemas seguinte para determinar a condição de alarme da UPS.

10.1 Alarmes e falhas típicos




Para consultar o Registo de eventos ou Registo de falhas:

1. Pressione qualquer botão no visor do painel frontal para activar as opções do menu.
2. Pressione o botão ↓ para seleccionar Registo de eventos ou Registo de falhas.
3. Percorra os eventos ou falhas listados.

A tabela seguinte descreve os alarmes e condições típicos.

| Condições | Causa possível | Acção |
|--|---|--|
|  Modo bateria LED activo. 1 sinal sonoro a cada 10 segundos. | Ocorreu uma falha do aparelho e a UPS está no modo de bateria. | A UPS está a alimentar o equipamento com a bateria. Prepare o seu equipamento para um encerramento. |
|  Bateria fraca LED activo. 1 sinal sonoro a cada 3 segundos. | A UPS está no modo de bateria e a bateria está quase gasta. | Este aviso é aproximado e o tempo efectivo para o encerramento poderá variar significativamente. Dependendo da carga da UPS e do número de Módulos de bateria prolongados (EBM) ligados, o aviso "Bateria fraca" poderá ocorrer antes das baterias atingirem 20 % da sua capacidade. |
|  Sem bateria LED activo. Sinal sonoro contínuo. | As baterias estão desligadas. | Verifique se todas as baterias estão devidamente ligadas. Se a condição persistir, contacte o seu representante de assistência. |
|  Falha bateria LED activo. Sinal sonoro contínuo. | O teste da bateria falhou devido a baterias danificadas ou desligadas, ou foi atingida a tensão mínima da bateria no modo de variação cíclica de ABM. | Verifique se todas as baterias estão devidamente ligadas. Inicie um novo teste da bateria: se a condição persistir, contacte o seu representante de assistência. |
| A UPS não fornece o tempo de reserva previsto. | As baterias necessitam de carregamento ou de assistência. | Aplice a alimentação do aparelho durante 48 horas para carregar as baterias. Se a condição persistir, contacte o seu representante de assistência. |
|  Modo Bypass LED activo. | Ocorreu uma sobrecarga ou uma falha, ou foi recebido um comando e a UPS está no modo de Bypass. | O equipamento está ligado, mas não está protegido pela UPS. Verifique a existência de um dos seguintes alarmes: temperatura excessiva, sobrecarga ou falha da UPS. |

10. Resolução de problemas

| | | |
|--|---|--|
| <p>Sobrecarga de energia</p>  <p>LED activo. Sinal sonoro contínuo.</p> | <p>Os requisitos de potência excedem a capacidade da UPS (superior a 100 % da potência nominal; ver página 43 para intervalos de sobrecarga de saída específicos).</p> | <p>Remova algum do equipamento da UPS. A UPS continua a funcionar, mas pode mudar para o modo bypass ou encerrar se a carga aumentar. O alarme reinicia quando a condição se torna inactiva.</p> |
| <p>Temperatura excessiva da UPS</p>  <p>LED activo. 1 sinal sonoro a cada 3 segundos.</p> | <p>A temperatura interna da UPS é demasiado elevada ou uma ventoinha falhou. Ao nível de aviso, a UPS gera o alarme mas este permanece no estado de funcionamento actual. Se a temperatura subir mais 10 °C, a UPS muda para o modo bypass ou encerra se o bypass não for utilizável.</p> | <p>Se a UPS mudar para o modo bypass, a UPS irá regressar ao modo normal de funcionamento, quando a temperatura baixar 5 °C abaixo do nível de aviso. Se a condição persistir, encerre a UPS. Limpe os orifícios de ventilação e remova quaisquer fontes de calor. Deixe a UPS arrefecer. Certifique-se de que o fluxo de ar em redor da UPS não está a ser restringido. Reinicie a UPS. Se a condição continuar a persistir, contacte o seu representante de assistência.</p> |
| <p>A UPS não arranca.</p> | <p>O cabo de alimentação não está ligado correctamente.</p> | <p>Verifique as ligações dos cabos de alimentação.</p> |
| <p>Ligação incorrecta dos fios da entrada / Ligação incorrecta dos fios da saída</p>  <p>LED activo. Sinal sonoro contínuo.</p> | <p>Os cabos de entrada/saída não estão ligados aos blocos de terminais correctos.</p> | <p>Ligue os cabos de entrada/saída correctamente.</p> |

10. Resolução de problemas

10.2 Desligar o alarme

Pressione qualquer botão no visor do painel frontal para silenciar o alarme. Verifique a condição de alarme e realize a acção aplicável para resolver a condição. Se o estado de alarme mudar, o sinal sonoro soa novamente, sobrepondo-se ao silenciamento de alarme anterior.

10.3 Serviço e assistência

Se tiver alguma pergunta ou problemas com a UPS, contacte o seu **Distribuidor local** ou o seu representante de assistência local e solicite um representante técnico da UPS.

Tenha a informação seguinte à mão quando telefonar para a assistência:

- Número de modelo
- Número de série
- Número de versão do firmware
- Data da falha ou do problema
- Sintomas da falha ou do problema
- Endereço de retorno e informação de contacto do cliente

Se for necessária a reparação, irá receber um número de autorização de material devolvido (RMA).

Este número tem de aparecer no exterior da embalagem e na guia de transporte (se aplicável). Utilize a embalagem original ou solicite embalagem junte da assistência ao cliente ou do distribuidor. As unidades danificadas durante a expedição como resultado de embalamento inadequado não estão abrangidas pela garantia. Uma unidade de substituição ou de reparação ser-lhe-á enviada, com frete pré-pago para todas as unidades da garantia.



Para aplicações críticas, poderá estar disponível uma substituição imediata. Contacte a **Assistência ao cliente** para falar com o distribuidor ou vendedor mais próximo de si.

11. Especificações

11.1 Especificações do modelo

Tabela 1. Lista de modelos da UPS

| Modelo | Potências nominais |
|----------|--|
| 9PX8KSP | 8000VA / 7200W com saída de 120/208V, 100/200V, 110/220V, 115/230V, 120/240V, 127/220V |
| 9PX10KSP | 8000VA / 7200W com saída de 100/200V |
| | 9000VA / 8100W com saída de 110/220V |
| | 10000VA / 9000W com saída de 120/208V, 115/230V, 120/240V, 127/220V |

Tabela 2. Lista de modelo de módulo de bateria prolongado

| Modelo | Configuração | Tensão da bateria | Para potências nominais |
|-------------|--------------|------------------------|-------------------------|
| 9PXEBM360SP | Rack / Torre | 360Vdc (\pm 180Vdc) | 8000VA and 10000VA |

Tabela 3. Pesos e dimensões

| Modelo (Módulo de alimentação) | Dimensões P x L x A (inch/mm) | Peso (lb/kg) |
|--------------------------------|--------------------------------------|--------------|
| 9PX8KSP | 10.3 x 17.4 x 29.4 / 262 x 440 x 745 | 225 / 102 |
| 9PX10KSP | 10.3 x 17.4 x 29.4 / 262 x 440 x 745 | 225 / 102 |
| 9PXEBM360SP | 5.2 x 17.4 x 25.4 / 130 x 440 x 645 | 163.2 / 74 |

Tabela 4. Entrada eléctrica

| | |
|--------------------------------------|--|
| Frequência nominal | 50/60Hz de detecção automática |
| Intervalo de frequência | 50Hz: 40-70Hz antes de mudar para bateria 60Hz: 40-70Hz antes de mudar para bateria |
| Intervalo de tensão de bypass | -15% / +15% de tensão nominal (predefinição) |

| Modelo | Tensão de entrada | Corrente de entrada |
|----------|-------------------|---------------------|
| 9PX8KSP | 100/200V | 43A |
| | 110/220V | 43A |
| | 115/230V | 43A |
| | 120/208V | 43A |
| | 120/240V | 43A |
| | 127/220V | 43A |
| 9PX10KSP | 100/200V | 46A |
| | 110/220V | 46A |
| | 115/230V | 46A |
| | 120/208V | 46A |
| | 120/240V | 46A |
| | 127/220V | 46A |

Tabela 5. Ligações de entrada eléctrica

| Modelo | Ligação de entrada |
|----------|--------------------|
| 9PX8KSP | Com fios |
| 9PX10KSP | |

11. Especificações

Tabela 6. Saída eléctrica

| Todos os modelos | Modo normal | Modo de bateria |
|---|--|--|
| Regulação da tensão | ±2% (Lx-N); ±5% (L1-L2) | ±10% |
| Eficiência | > 97% (modo de eficiência elevada) 94% para modelos 9PX8KSP/9PX10KSP (Típico) | |
| Regulação da frequência | Sincronização com linha ±5% de frequência de linha nominal (fora deste intervalo: ±0.5% de frequência nominal seleccionada automaticamente) | ±0.5% de frequência nominal seleccionada automaticamente |
| Saídas nominais | 100/200V, 110/220V, 115/230V, 120/208V, 120/240V, 127/220V (tensão configurável) (A potência de saída encontra-se na Tabela 1 da secção 11.1) | |
| Frequência | 50 ou 60Hz, detecção automática ou configurável como conversor de frequência | |
| Sobrecarga de saída | 100-102%: sem alarme 102-110%: carga muda para o modo Bypass ao fim de 2 minutos 110-125%: carga muda para o modo Bypass ao fim de 1 minuto 125-150%: carga muda para o modo Bypass ao fim de 10 segundos > 150%: carga muda para o modo Bypass ao fim de 900 ms | 100-102%: sem alarme 102-130%: carga muda para o modo Bypass ao fim de 10 segundos > 150%: carga muda para o modo Bypass ao fim de 100 ms |
| Sobrecarga de saída (modo de Bypass) | 100-125%: sem alarme 125-150%: UPS encerra após 5 minuto > 150%: UPS encerra após 1 segundo | |
| Forma de onda de tensão | Sinusoidal | |
| Distorção harmónica | < 3% THDV em carga linear < 5% THDV em carga não linear | |
| Tempo de transferência | Modo on-line: 0 ms (sem quebra) Modo de eficiência elevada: 10 ms no máximo (devido a perda de aparelho) | |
| Factor de alimentação | 0.9 | |
| Factor de pico de carga | 3 para 1 | |

Tabela 7. Ligações de saída eléctrica

| Modelo | Ligações de saída |
|----------------------|---|
| 9PX8KSP, 9PX10KSP | Com fios (2) saída L14-30R (1) saída L6-30R |

Tabela 8. Ambiente e segurança

| | |
|--------------------------|---|
| Certificações CME | UL 1778 4 th CAN/CSA C22.2 No 107.3-05 Ed.2 |
| CEM (Emissões)* | FCC part 15 Classe A CISPR22 Classe A AS/NZS 22 Classe A IEC 61000-3-2 (-3-12) IEC 61000-3-3 (-3-11) |
| CEM (Imunidade) | IEC 61000-2-2 IEC 61000-4-2, Nível 3 IEC 61000-4-3, Nível 3 IEC 61000-4-4, Nível 4 (também em portas de sinal) IEC 61000-4-5, Nível 4, Criteria B IEC 61000-4-6, Nível 3 IEC 61000-4-8, Nível 4 IEC 61000-4-11 |

11. Especificações

| | |
|-------------------------------------|--|
| Sinalização de agência | CE / cULus / NOM |
| Temperatura de funcionamento | 32 a 104°F (0 a 40°C) no modo on-line, com redução de capacidade linear por altitude Nota: a protecção térmica muda a carga para bypass em caso de sobreaquecimento. |
| Temperatura de armazenamento | 32 a 104°F (0 a 40°C) com baterias 5 a 140°F (-15 a 60°C) sem baterias |
| Temperatura de tráfego | -4 a 122°F (-20 a 50°C) |
| Humidade relativa | 0 a 95% não condensante |
| Altitude de funcionamento | Até 2.000 metros (6.562 ft) acima do nível do mar com redução de capacidade de 10% por cada 1000 m |
| Altitude em trânsito | Até 10.000 metros (32.808 ft) acima do nível do mar |
| Ruído audível | < 55 dBA a 1 metro típico |

Tabela 9. Bateria

| | Baterias internas | EBMs |
|---|---|-------------------------------|
| Configuração de rack / torre | 9PX8KSP/9PX10KSP: 360Vdc (±180Vdc) | 9PXEBM360SP: 360Vdc (±180Vdc) |
| Tipo CSB/HR1227WF2FR | Selada, de chumbo-ácido, regulação por válvula, sem problemas de manutenção, com um mínimo de 3 anos de serviço flutuante a 77°F (25°C). A duração da vida é reduzida acima de 86°F (30°C). | |
| Monitorização | Monitorização avançada para detecção e aviso de falhas precoce | |
| Porta da bateria | Conectores externos de três pólos castanhos SBS75G + brancos SBS75G na UPS para ligação ao EBM | |
| Comprimento do cabo de bateria EBM | 9PXEBMSP360: 50cm (19.7in) | |

Tabela 10. Opções de comunicação

| | |
|--|--|
| Painel de comunicação | (1) painel de comunicação independente disponível para placas de conectividade |
| Placas de conectividade compatíveis | Network-MS Modbus-MS Relay-MS |
| Portas de comunicação | RS-232 (DB9): 1200-19200 bps USB: 19200 bps |
| Contactos de saída do relé | (4) saídas de relé (normalmente abertas ou normalmente fechadas) |
| Ligação/desligação remota | Comutador de derivação de 2 pinos (normalmente fechado) |
| Desactivação remota | Comutador de derivação de 3 pinos (pino 1 & 3 normalmente fechado) |

Centro de Atendimento ao Cliente da EATON

Assistência técnica e de apoio ao produto



Questões técnicas? Caso se depare com algum problema ao seguir as instruções neste manual, ou caso lhe surjam questões relacionadas com o funcionamento, reparação ou manutenção do equipamento, por favor visite a nossa página web powerquality.eaton.com para informações completas de assistência.

Para garantir que obtém as respostas correctas às suas questões, por favor obtenha o número da peça, o número de montagem e o número de série da unidade e inclua-o em quaisquer abordagens ou correspondência.

Número da peça: _____

Número da montagem: _____

Número de série: _____

Quem contactar

Para assistência técnica, o centro de atendimento ao cliente e perguntas frequentes de clientes, por favor visite a nossa página web: powerquality.eaton.com

Agendamento de assistência de técnicos de manutenção

O agendamento de técnicos de manutenção da EATON deve ser efectuado com uma antecedência de 7 a 10 dias antes de ser solicitada a sua presença no local. Se o arranque da UPS for crítica para a manutenção do seu cronograma, por favor entre em contacto com a EATON, para garantir uma instalação e arranque em segurança e que manterá a garantia da EATON e assegurará um bom desempenho.

Política de devoluções para produtos monofásicos (ADM - Autorização de devolução de material)

Caso solicite assistência técnica de fábrica para o seu equipamento, contacte o Centro de Atendimento ao Cliente da EATON e obtenha a Autorização de devolução de material (ADM) antes de expedir a sua unidade. Nunca envie equipamento para a EATON sem primeiro obter um número de ADM.

Para mais informações, por favor visite a nossa página web: powerquality.eaton.com

Data: _____

Número de ADM: _____

Nome do contacto: _____

| | |
|--|--|
| Bypass AC source | Fonte de alimentação da linha do bypass. O equipamento pode ser transferido para a linha de bypass, se ocorrer uma sobrecarga na saída da UPS, para manutenção, ou em caso de avaria. |
| Conversor de frequências | Modo de funcionamento utilizado para converter a frequência da energia CA entre a entrada e a saída da UPS (50 Hz -> 60 Hz ou 60 Hz -> 50 Hz). |
| Aviso de bateria fraca | É um indicador de nível baixo da voltagem da bateria, indicando que a carga da bateria está baixa e que o usuário deve agir rapidamente devido a risco iminente de interrupção de energia da carga da bateria. |
| Tempo de reserva | Tempo durante o qual a energia pode ser fornecida pelo no-break, operando a partir da bateria. |
| Carga | Dispositivos ou equipamentos conectados à saída do no-break. |
| Modo HE | Modo de funcionamento em que a energia é fornecida directamente pela fonte CA, se estiver dentro das tolerâncias definidas pelo utilizador. Este modo reduz o consumo de energia eléctrica |
| Bypass manual | Comutador rotativo controlado pelo utilizador, que serve para ligar os equipamentos directamente à fonte CA. A transferência dos equipamentos ligados para o bypass manual permite fazer a manutenção da UPS sem interromper o fornecimento de energia a esses equipamentos. |
| Modo normal (dupla alimenta a UPS que, conversão) | O modo de funcionamento normal da UPS em que a fonte CA por sua vez, alimenta as cargas ligadas (após dupla conversão electrónica). |
| Normal AC source | Fonte de entrada de alimentação para a UPS. |
| Contactos de relé | Contactos que fornecem informações ao utilizador sob a forma de sinais. |
| UPS | Sistema de alimentação ininterrupta. |

