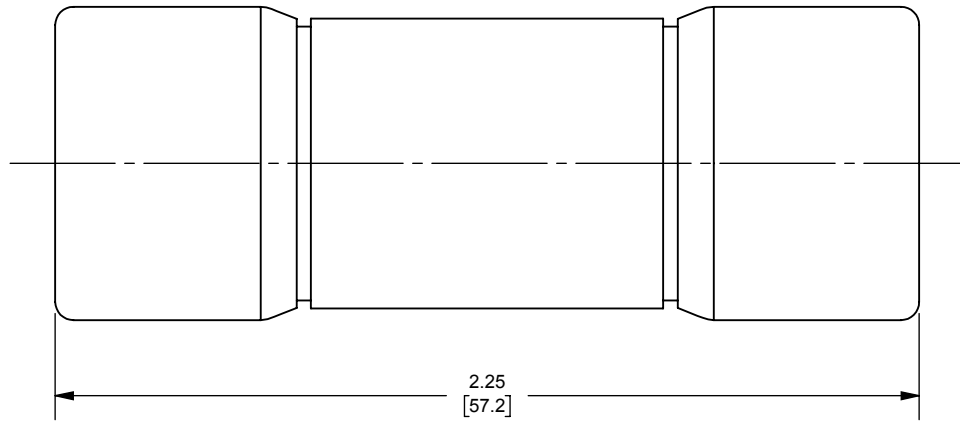
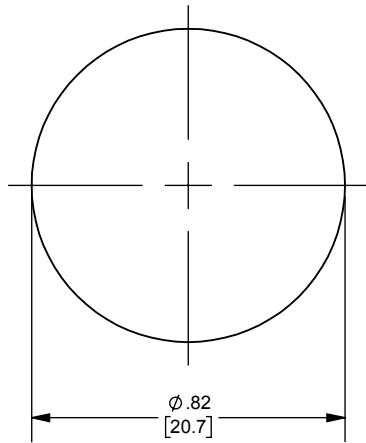


REV.	DATE	ECO	DESCRIPTION	BY	CK	APP
D	1/11/19	N/A	ADDED AJT(1-30)N IN TITLE BLOCK	GDR	N/A	N/A



DIMENSIONS IN [ ] ARE MILLIMETERS



MERSEN USA NEWBURYPORT-MA, LLC  
374 MERRIMAC STREET  
NEWBURYPORT, MA 01950

**PRODUCT MANAGER**

SIGN: B.KIRKORIAN

DATE: 1/14/19

**DESIGN ENGINEER**

SIGN: R.BURGE

DATE: 1/14/19

AJT(1-30)  
AJT(1-30)N  
CLASS J TIME DELAY

1-30A 600V

OUTLINE DIMENSIONS  
NOT TO BE USED FOR PRODUCTION

**17934**