



Main

Range of Product	Lexium 28
Product or Component Type	Motion servo drive
Device short name	LXM28A
Format of the drive	Compact housing
Line current	11.8 A 155.8 % 220 V, three phase

Complementary

Phase	Three phase
[Us] rated supply voltage	220 V - 10...15 % three phase
Supply voltage limits	200...255 V three phase
Supply frequency	50/60 Hz - 5...5 %
Network Frequency	47.5...63 Hz
EMC filter	Without EMC filter
Continuous output current	19.8 A 8 kHz
Output current 3s peak	60 A 220 V
Continuous power	3000 W 220 V
Nominal power	3 kW 220 V 8 kHz
Switching frequency	8 kHz
Overvoltage category	III
Maximum leakage current	1.6 mA
Output voltage	<= power supply voltage
Electrical isolation	Between power and control
Type of cable	Shielded motor cable 32...131 °F (0...55 °C) copper
Electrical connection	Spring terminal 6 mm ² , AWG 10 L1-L2) Spring terminal 6 mm ² , AWG 10 R, S, T) Spring terminal 6 mm ² , AWG 10 U, V, W, PE) Spring terminal 6 mm ² , AWG 10 PA/+, PBe)
Discrete input number	8 programmable CN1) 1 pulse train input (PTI) CN1) 2 fast capture CN1) 1 safety function STO CN9)
Discrete input voltage	24 V DC logic
Discrete input logic	Positive or negative CN1)
Discrete output number	5 logic output CN1)12...24 V DC 1 pulse train output (PTO) CN1)
Discrete output voltage	12...24 V DC
Discrete output logic	Positive or negative CN1)
Analogue input number	2
Absolute accuracy error	0.1 %
Analogue input type	V_REF voltage analog input - 10...10 V 10 kOhm 14 bits T_REF voltage analog input
Control signal type	Servo motor encoder feedback CN2

Protection type	Against reverse polarity inputs signal Against short-circuits outputs signal Overcurrent motor Overvoltage motor Undervoltage motor Overheating motor Overload motor Overspeed motor
Safety function	STO (safe torque off), Integrated
Safety level	SIL 2 IEC 61800-5-2 2007 SIL 2 IEC 61508-1 2010 PL d/category 3 EN/ISO 13849-1 2008 SIL 2 EN/ISO 13849-1 2009/AC SIL 2 EN 60204-1 2006 SIL 2 EN 60204-1 2009/A1 SIL 2 EN 60204-1 2010/AC SIL 2 IEC 62061 2012
Communication interface	CANopen, Integrated CANmotion, Integrated
Connector type	RJ45 CN4)CANopen, CANmotion
Method of access	Slave
Transmission rate	250 kbit/s 328.08...820.21 ft (100...250 m) CANopen, CANmotion 500 kbit/s 13.12...328.08 ft (4...100 m) CANopen, CANmotion 1 Mbit/s 13.12 ft (4 m) CANopen, CANmotion
Number of addresses	1...127 CANopen, CANmotion
Physical interface	RS485 Modbus Serial line slave
Status LED	1 LED (Red) charge 1 LED (Green) RUN 1 LED (Red) error
Signalling function	Servo status and fault codes five 7-segment display units
Marking	CSA CE CULus
Type of cooling	Integrated fan
Operating position	Vertical
Product compatibility	Servo motor BCH2 7.09 in (180 mm), 2 3000 W
Width	4.57 in (116 mm)
Height	9.21 in (234 mm)
Depth	7.32 in (186 mm)
Net Weight	7.05 lb(US) (3.2 kg)
Output current 3s peak 2	60 A 220 V
Output current 3s peak 3	60 A 220 V

Environment

Electromagnetic compatibility	Conducted emission level 3category C3 EN/IEC 61800-3
Standards	EN/IEC 61800-5-1
Product Certifications	CSA CULus CE
IP degree of protection	IP20
Vibration resistance	3M4 3 mm 9...200 Hz)IEC 60721-3-3
Shock resistance	10 gn, type I IEC 60721-3-3
Relative humidity	5...95 % without condensation
Ambient Air Temperature for Operation	32...131 °F (0...55 °C)
Ambient Air Temperature for Storage	-13...149 °F (-25...65 °C)
Operating altitude	<= 3280.84 ft (1000 m) without derating > 3280.84...6561.68 ft (> 1000...2000 m) 1 % per 100 m

Ordering and shipping details

Category	18262-LEXIUM 23/28 SERVO DRIVES
Discount Schedule	PC51
GTIN	3606480711831
Returnability	No
Country of origin	CN

Packing Units

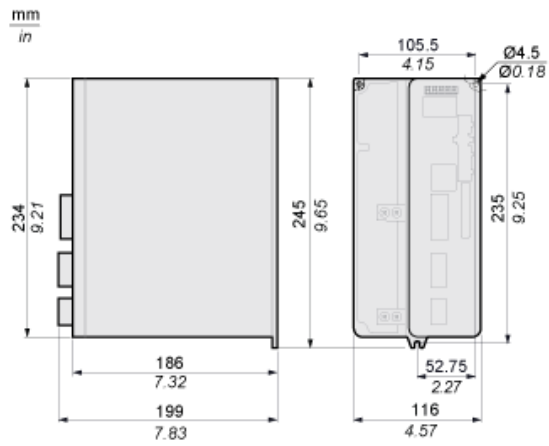
Unit Type of Package 1	PCE
Number of Units in Package 1	1
Package 1 Height	7.72 in (19.6 cm)
Package 1 Width	10.16 in (25.8 cm)
Package 1 Length	13.66 in (34.7 cm)
Package 1 Weight	176.25 oz (4996.67 g)
Unit Type of Package 2	S03
Number of Units in Package 2	1
Package 2 Height	11.81 in (30 cm)
Package 2 Width	11.81 in (30 cm)
Package 2 Length	15.75 in (40 cm)
Package 2 Weight	10.12 lb(US) (4.59 kg)
Unit Type of Package 3	P06
Number of Units in Package 3	8
Package 3 Height	17.68 in (44.9 cm)
Package 3 Width	23.62 in (60 cm)
Package 3 Length	31.50 in (80 cm)
Package 3 Weight	99.69 lb(US) (45.22 kg)

Offer Sustainability

Sustainable offer status	Green Premium product
California proposition 65	WARNING: This product can expose you to chemicals including: Lead and lead compounds, which is known to the State of California to cause cancer and birth defects or other reproductive harm. For more information go to www.P65Warnings.ca.gov
REACH Regulation	REACH Declaration
REACH free of SVHC	Yes
EU RoHS Directive	Pro-active compliance (Product out of EU RoHS legal scope) EU RoHS Declaration
Mercury free	Yes
China RoHS Regulation	China RoHS Declaration
RoHS exemption information	Yes
Environmental Disclosure	Product Environmental Profile
Circularity Profile	End Of Life Information
WEEE	The product must be disposed on European Union markets following specific waste collection and never end up in rubbish bins.
PVC free	Yes

Dimensions

Dimensions of Drive



Mounting Clearance

Mounting Distances and Air Circulation

mm
in.

