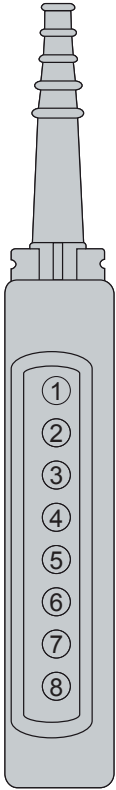




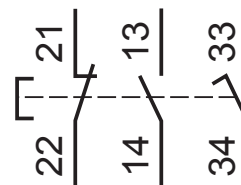
Cross Wiring



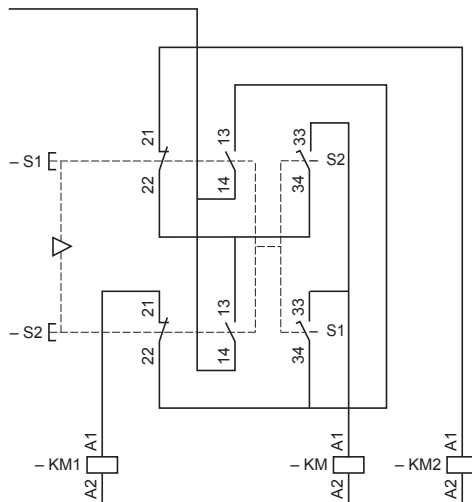
| Mechanical interlocks | Labels | Illuminating and contacts blocks | Heads |
|-----------------------|-----------|----------------------------------|----------|
| ① | ZB2BY4903 | XENG1191 | XACA9411 |
| ② | ZB2BY2906 | XENG1191 | XACA9412 |
| ③ | ZB2BY4909 | XENG1191 | XACA9415 |
| ④ | ZB2BY2912 | XENG1191 | XACA9413 |
| ⑤ | ZB2BY4915 | XENG1191 | XACA9419 |
| ⑥ | ZB2BY2918 | XENG1191 | XACA9416 |
| ⑦ | ZB2BY4930 | ZB2BE101 | XACA9412 |
| ⑧ | ZB2BY4101 | ZB2BE102 | ZA2BS44 |



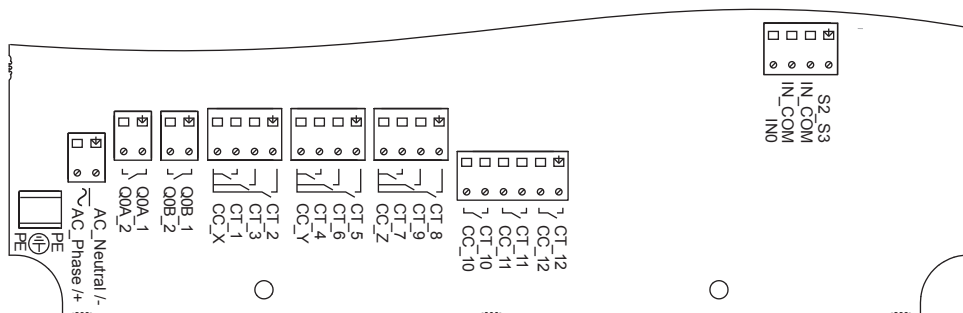
XENG1191 schema



XENG1191 Two speed application - Wiring diagram



IOs eXLhoist



Cross Wiring

Direction North – South

- Output CT_1: First speed direction X (KM1_A1)
- Outputs CT_1 + CT_3: Second speed direction X (KM1_A1 + KM_A1)
- Output CT_2: First speed, direction Y (KM2_A1)
- Outputs CT_2 + CT_3: Second speed, direction Y (KM2_A1 + KM_A1)

Direction East – West

- Output CT_4: First speed direction X (KM1_A1)
- Outputs CT_4 + CT_6: Second speed direction X (KM1_A1 + KM_A1)
- Output CT_5: First speed, direction Y (KM2_A1)
- Outputs CT_5 + CT_6: Second speed, direction Y (KM2_A1 + KM_A1)

Direction Up – Down

- Output CT_7: First speed direction X (KM1_A1)
- Outputs CT_7 + CT_9: Second speed direction X (KM1_A1 + KM_A1)
- Output CT_8: First speed, direction Y (KM2_A1)
- Outputs CT_8 + CT_9: Second speed, direction Y (KM2_A1 + KM_A1)