



Main

| | |
|---------------------------|--------------------------------------|
| Range of Product | Modicon STB distributed I/O solution |
| Product or Component Type | Counter kit |
| Number of Channels | 1 |

Complementary

| | |
|----------------------------|---|
| Kit composition | STBEHC3020 module STBXBA3000 base STBXTS215018 terminal spring clamp connector |
| Counting input number | 2 |
| Maximum counting frequency | 40000 Hz |
| Counter functions | Measure time periods Up/Down counting Down counting Frequency meter Loop (modulo) counting Count events |
| Counter configuration | Modicon configuration software |
| Input compatibility | 2/3 wire photo-electric sensor Mechanical contact With 2-wire/3-wire proximity sensors Incremental encoder |
| Input voltage | 24 V |
| Input voltage limits | 19.2...30 V |
| Input voltage type | DC |
| Input Current | 6 mA |
| Input logic | Positive |
| Voltage state 0 guaranteed | -3...5 V |
| Voltage state 1 guaranteed | 11...30 V |
| Current state 0 guaranteed | <= 1.5 mA |
| Current state 1 guaranteed | >= 2 mA |
| Filter time | 0 ms digital 40000 Hz counting inputs 0.4 ms digital 1000 Hz counting inputs 1.2 ms digital 400 Hz counting inputs 2.5 µs analog counting inputs 25 µs analog auxiliary input |
| Output voltage | 24 V |
| Output voltage limits | 19.2...30 V |
| Output voltage type | DC |
| Nominal output current | 0.5 A |
| Discrete output logic | Positive or negative configurable |
| Maximum leakage current | 0.1 mA at state 0 |
| Maximum voltage drop | <3 V at state 1 |
| Maximum load inductance | 500 mH 4 Hz |

| | |
|-------------------------------------|--|
| Protection type | Overload protection electronic tripping manual or automatic reset Short-circuit protection electronic tripping manual or automatic reset Overload protection current limiter Short-circuit protection current limiter |
| Fallback status | Hold last value configured State 0 for output channels by default State 0 or 1 for each channel configured |
| Cold swapping | Yes |
| Hot swapping fallback | Fallback output depending on parameter setting configured mandatory standard network interface module Fallback to 0 not configured mandatory standard network interface module Fallback to 0 basic network interface module |
| Product Compatibility | Mounting base STBXBA3000 Power distribution module STBPDT3100/3105 |
| [Us] rated supply voltage | 24 V DC |
| Supply | Power distribution module |
| Current consumption | 60...100 mA 5 V DC logic bus |
| Insulation between channels and bus | 500 V |
| Marking | CE |
| Overvoltage category | II |
| Status LED | 1 LED (Green) EN validation input status (EN) 1 LED (Green) module status (RDY) 1 LED (Green) reset input status (RST) 1 LED per counting input (Green) counting input status (INA, INB) 1 LED per output (Green) output status (OUT1, OUT2) 1 LED (Red) module error (FLT) |
| Height | 1.11 in (28.1 mm) |
| Depth | 2.76 in (70 mm) |
| Width | 5.05 in (128.3 mm) |

Environment

| | |
|---------------------------------------|--|
| Product Certifications | FM Class 1 Division 2 CSA UL |
| Pollution degree | 2 IEC 60664-1 |
| Operating altitude | <= 6561.68 ft (2000 m) |
| IP degree of protection | IP20 conforming to EN 61131-2 class 1 |
| Ambient air temperature for operation | -13...158 °F (-25...70 °C) without derating) |
| Ambient Air Temperature for Storage | -40...185 °F (-40...85 °C) |
| Relative humidity | 95 % 140 °F (60 °C) without condensation |
| Vibration resistance | 3 gn 58...150 Hz 35 x 7.5 mm symmetrical DIN rail 5 gn 58...150 Hz 35 x 15 mm symmetrical DIN rail +/-0.35 mm 10...58 Hz |
| Shock resistance | 30 gn 11 ms IEC 88 reference 2-27 |

Ordering and shipping details

| | |
|-------------------|------------------------|
| Category | 18215-ADVANTYS STB I/O |
| Discount Schedule | PC32 |
| GTIN | 3595863933116 |
| Returnability | No |
| Country of origin | ID |

Packing Units

| | |
|------------------------------|-----------------------|
| Unit Type of Package 1 | PCE |
| Number of Units in Package 1 | 1 |
| Package 1 Height | 3.20 in (8.13 cm) |
| Package 1 Width | 1.40 in (3.56 cm) |
| Package 1 Length | 5.30 in (13.46 cm) |
| Package 1 Weight | 0.35 lb(US) (0.16 kg) |
| Unit Type of Package 2 | S02 |

| | |
|------------------------------|--------------------------|
| Number of Units in Package 2 | 20 |
| Package 2 Height | 5.91 in (15 cm) |
| Package 2 Width | 11.81 in (30 cm) |
| Package 2 Length | 15.75 in (40 cm) |
| Package 2 Weight | 8.08 lb(US) (3.666 kg) |
| Unit Type of Package 3 | PAL |
| Number of Units in Package 3 | 320 |
| Package 3 Height | 23.62 in (60 cm) |
| Package 3 Width | 31.50 in (80 cm) |
| Package 3 Length | 125.98 in (320 cm) |
| Package 3 Weight | 114.29 lb(US) (51.84 kg) |

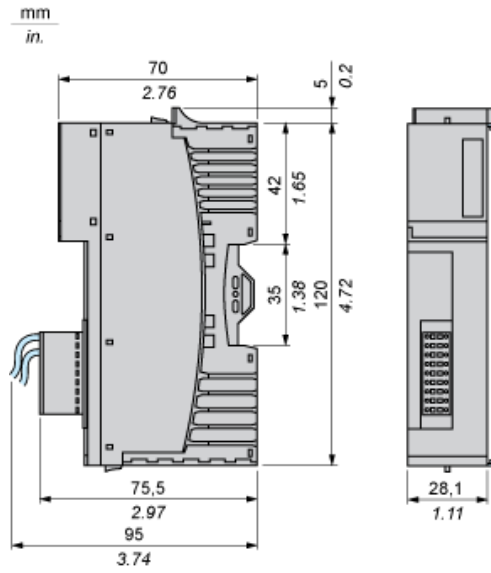
Offer Sustainability

| | |
|----------------------------|---|
| Sustainable offer status | Green Premium product |
| California proposition 65 | WARNING: This product can expose you to chemicals including: Lead and lead compounds, which is known to the State of California to cause cancer and birth defects or other reproductive harm. For more information go to www.P65Warnings.ca.gov |
| REACH Regulation | REACH Declaration |
| EU RoHS Directive | Pro-active compliance (Product out of EU RoHS legal scope) EU RoHS Declaration |
| Mercury free | Yes |
| China RoHS Regulation | China RoHS Declaration |
| RoHS exemption information | Yes |
| Environmental Disclosure | Product Environmental Profile |
| Circularity Profile | End Of Life Information |
| WEEE | The product must be disposed on European Union markets following specific waste collection and never end up in rubbish bins. |

Contractual warranty

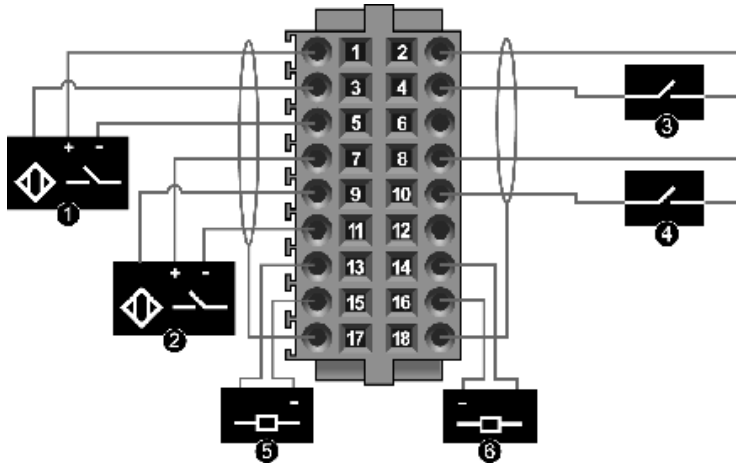
| | |
|----------|-----------|
| Warranty | 18 months |
|----------|-----------|

Dimensions



Wiring Diagram

Connection to STBXTS2150KC Removable Spring-Type Terminals



- 1 IN A
- 2 IN B
- 3 EN
- 4 RST
- 5 OUT1
- 6 OUT2

| Pin | Function | Pin | Function |
|-----|---|-----|---|
| 1 | +24 VDC field power (from the PDM) for input IN A | 2 | +24 VDC field power (from the PDM) for the input EN |
| 3 | input IN A | 4 | input EN |
| 5 | field power return for input IN A | 6 | field power return for input EN |
| 7 | +24 VDC field power (from the PDM) for input IN B | 8 | +24 VDC field power (from the PDM) for input RST |
| 9 | input IN B | 10 | input RST |
| 11 | field power return for input IN B | 12 | field power return for input RST |
| 13 | output OUT1 | 14 | output OUT2 |
| 15 | output OUT1 return | 16 | output OUT2 return |
| 17 | shield connection for input IN A and input IN B. | 18 | shield connection for input EN and input RST. |