



Main

Range of Product	Modicon STB distributed I/O solution
Product or Component Type	Standard power distribution kit

Complementary

Kit composition	STBPDT2100 module STBXBA2200 base STBXTS2130, spring type connectors STBXTS1130, screw type connectors
[Us] rated supply voltage	115...230 V
Supply circuit type	AC
Supply frequency	50...60 Hz
Power supply output current	0...10 A 86 °F (30 °C) output circuit 0...2.5 A 140 °F (60 °C) input circuit 0...5 A 86 °F (30 °C) input circuit 0...5 A 140 °F (60 °C) output circuit
Voltage range	85...265 V AC sensor/actuator bus
Hot swapping fallback	Hot swapping illegal
Protection type	Built-in overcurrent protection, 10 A time-lag output circuit Built-in overcurrent protection, 5 A time-lag input circuit
Permissible current	30 A for 2 minutes grounding terminal
Voltage detection threshold	< 50 V +/-5 AC IN/OUT LED non lit > 70 V +/-5 AC IN/OUT LED lit
Product Compatibility	Mounting base STBXBA2200
Marking	CE
Overvoltage category	II
Status LED	1 LED (Green) actuator bus power supply (OUT) 1 LED (Green) sensor bus power supply (IN)
Depth	2.56 in (65.1 mm)
Height	0.72 in (18.4 mm)
Width	4.92 in (125 mm)
Net Weight	0.28 lb(US) (0.129 kg)

Environment

Product Certifications	CSA FM Class 1 Division 2 UL
Pollution degree	2 IEC 60664-1
Operating altitude	<= 6561.68 ft (2000 m)
IP degree of protection	IP20 conforming to EN 61131-2 class 1
Ambient air temperature for operation	32...140 °F (0...60 °C) without)
Ambient Air Temperature for Storage	-40...185 °F (-40...85 °C)

Relative humidity	95 % 140 °F (60 °C) without condensation
Vibration resistance	+/-0.35 mm 10...58 Hz 3 gn 58...150 Hz 35 x 7.5 mm symmetrical DIN rail 5 gn 58...150 Hz 35 x 15 mm symmetrical DIN rail
Shock resistance	30 gn 11 ms IEC 88 reference 2-27

Ordering and shipping details

Category	18215-ADVANTYS STB I/O
Discount Schedule	PC32
GTIN	3595863949186
Returnability	Yes
Country of origin	ID

Packing Units

Unit Type of Package 1	PCE
Number of Units in Package 1	1
Package 1 Height	1.06 in (2.7 cm)
Package 1 Width	3.39 in (8.6 cm)
Package 1 Length	5.51 in (14.0 cm)
Package 1 Weight	5.15 oz (146.0 g)
Unit Type of Package 2	S02
Number of Units in Package 2	24
Package 2 Height	5.91 in (15.0 cm)
Package 2 Width	11.81 in (30.0 cm)
Package 2 Length	15.75 in (40.0 cm)
Package 2 Weight	8.66 lb(US) (3.93 kg)
Unit Type of Package 3	PAL
Number of Units in Package 3	384
Package 3 Height	23.62 in (60.0 cm)
Package 3 Width	31.50 in (80.0 cm)
Package 3 Length	151.18 in (384.0 cm)
Package 3 Weight	123.60 lb(US) (56.064 kg)

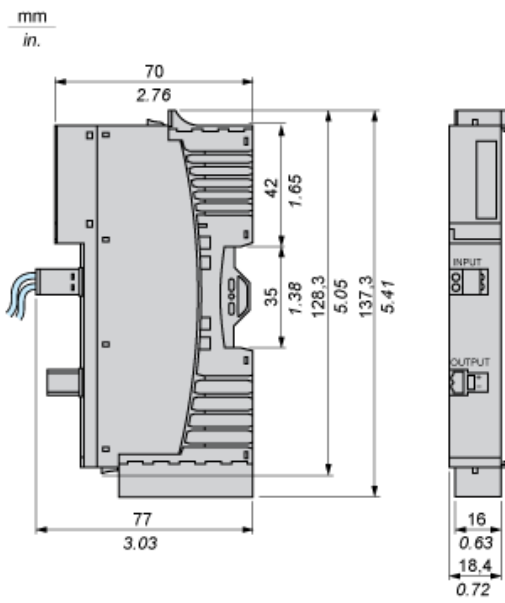
Offer Sustainability

Sustainable offer status	Green Premium product
California proposition 65	WARNING: This product can expose you to chemicals including: Lead and lead compounds, which is known to the State of California to cause cancer and birth defects or other reproductive harm. For more information go to www.P65Warnings.ca.gov
REACH Regulation	REACH Declaration
EU RoHS Directive	Pro-active compliance (Product out of EU RoHS legal scope) EU RoHS Declaration
Mercury free	Yes
China RoHS Regulation	China RoHS Declaration
RoHS exemption information	Yes
Environmental Disclosure	Product Environmental Profile
Circularity Profile	End Of Life Information
WEEE	The product must be disposed on European Union markets following specific waste collection and never end up in rubbish bins.

Contractual warranty

Warranty	18 months
----------	-----------

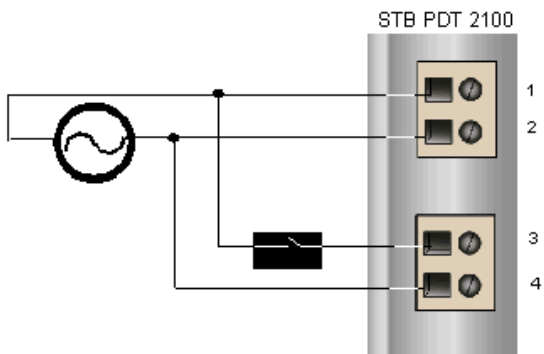
Dimensions



Wiring Diagram

Example

Single power supply



Pin	Top Connector	Bottom Connector
1	+115/230 VAC for the sensor bus	+115/230 VAC for the actuator bus
2	-115/230 VAC sensor power return	-115/230 VAC actuator power return