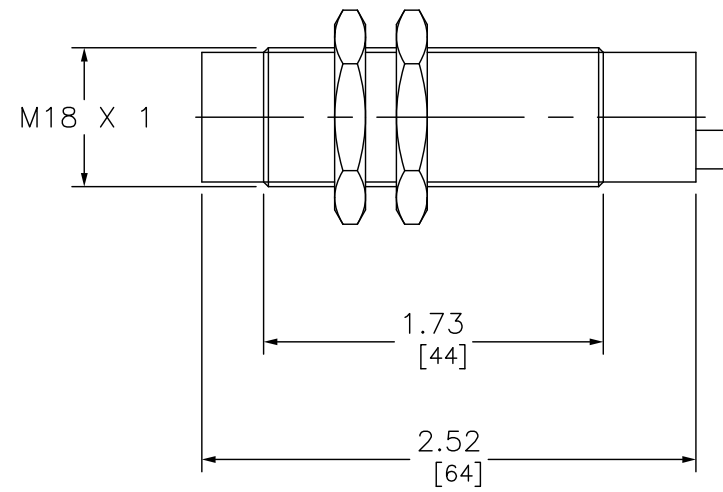


FRONT



RIGHT

DUAL DIMENSIONS: INCHES
MILLIMETERS

PHOTOELECTRIC SENSOR 18MM PNP XUB



DWG# XUB0BPSNL2
NO.