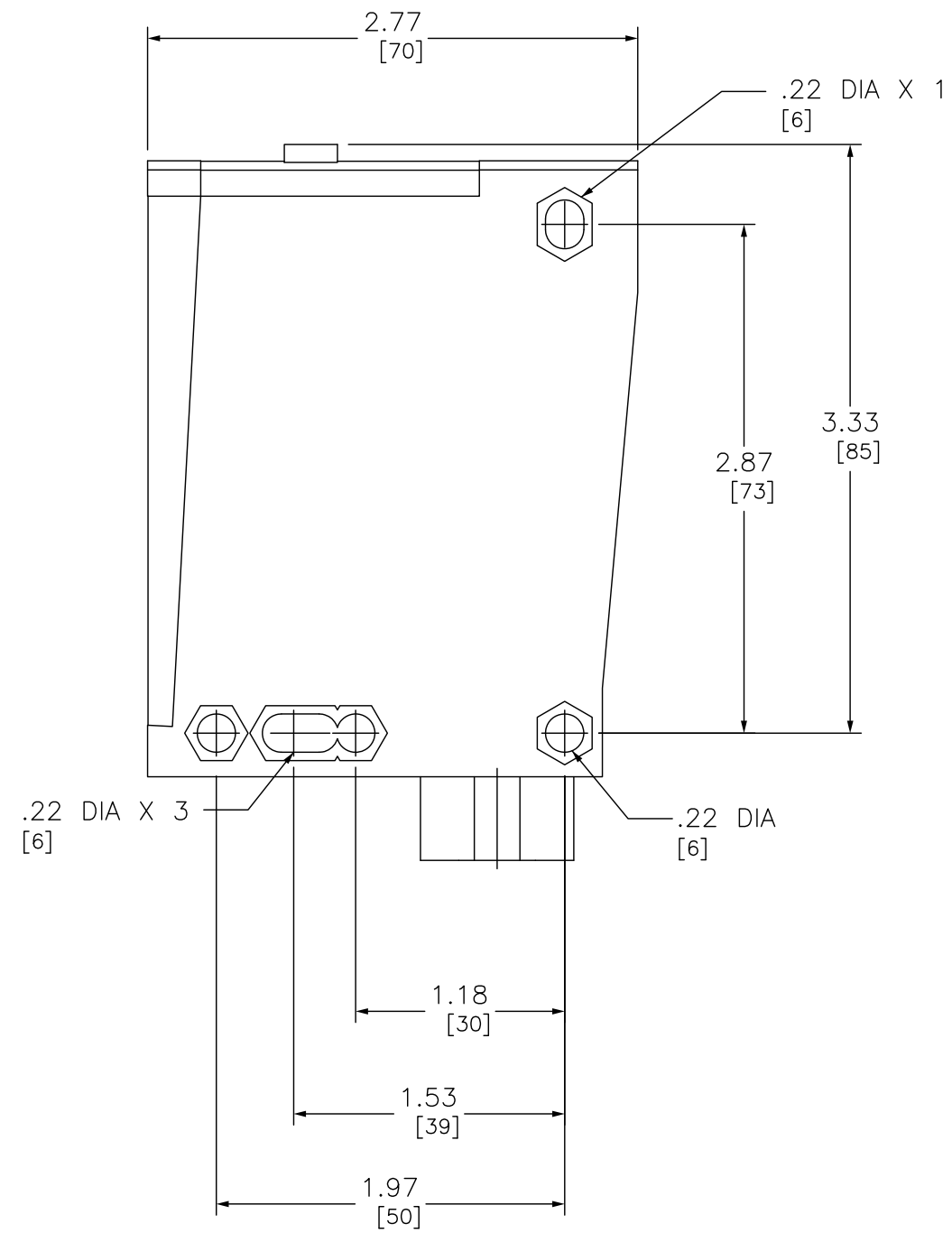


FRONT



RIGHT

DUAL DIMENSIONS: INCHES  
MILLIMETERS

PHOTOELECTRIC SENSOR COMPACT XUX



DWG# XUX1ARCNT16  
NO.