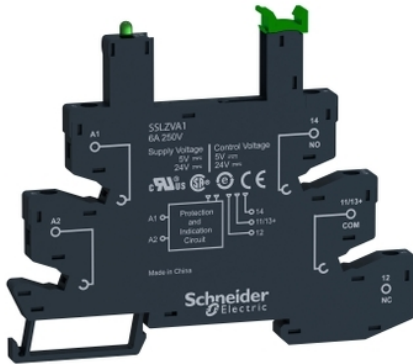


# SSLZRA1

Socket equipped with LED and protection circuit, Harmony, for SSL relays, spring terminals, 5 24V DC



## Main

|                               |                            |
|-------------------------------|----------------------------|
| Range of Product              | Harmony Solid State Relays |
| Product or Component Type     | Socket for SSL1            |
| Device short name             | SSLZ                       |
| Sale per indivisible quantity | 10                         |

## Complementary

|   |  |
|---|--|
| Contact terminal arrangement                | Separate   |
| Product compatibility                       | Solid state relay SSL NO 24 V DC<br>Solid state relay SSL NO 5 V DC  |
| Shape of pin                                | Flat   |
| [Ith] conventional free air thermal current | 6 A  |
| [Ith] conventional free air thermal current | 6 A  |
| [Ue] rated operational voltage              | < 250 V DC   |
| Connections - terminals                     | Spring terminals, 1 x 0.2...1 x 1.5 mm <sup>2</sup> AWG 24...AWG 16) solid without cable end<br>Spring terminals, 1 x 0.2...1 x 1.5 mm <sup>2</sup> AWG 24...AWG 16) flexible with cable end |
| Clamping force                              | 10...40 N  |
| Fixing mode                                 | Clip-on 35 mm DIN rail)  |
| Switching voltage                           | 5 V DC<br>24 V DC  |
| Local signalling                            | For input status LED (green)   |
| Width                                       | 0.24 in (6.2 mm)   |
| Height                                      | 3.98 in (101 mm)   |
| Depth                                       | 3.09 in (78.6 mm)  |
| Net Weight                                  | 0.06 lb(US) (0.0285 kg)  |
| [Uimp] rated impulse withstand voltage      | 3.6 kV   |
| Overvoltage category                        | III  |
| Pollution degree                            | 3  |

## Environment

|                                       |                            |
|---------------------------------------|----------------------------|
| Flame retardance                      | V0 conforming to UL 94     |
| Standards                             | IEC 61984                  |
| Product Certifications                | UL 508<br>CSA C22-2 No 14  |
| Marking                               | CE                         |
| Ambient Air Temperature for Storage   | -40...185 °F (-40...85 °C) |
| Ambient Air Temperature for Operation | -40...158 °F (-40...70 °C) |
| IP Degree of Protection               | IP20                       |
| Dielectric strength                   | 2500 V                     |

## Ordering and shipping details

|                   |                             |
|-------------------|-----------------------------|
| Category          | 21127-ZELIO ICE CUBE RELAYS |
| Discount Schedule | CP2                         |
| GTIN              | 00785901968344              |
| Returnability     | No                          |
| Country of origin | CN                          |

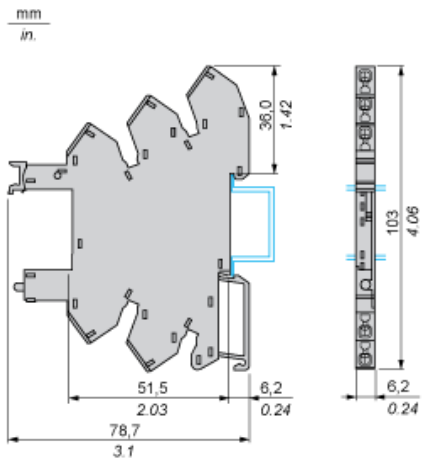
## Packing Units

|                              |                        |
|------------------------------|------------------------|
| Unit Type of Package 1       | PCE                    |
| Number of Units in Package 1 | 1                      |
| Package 1 Height             | 0.24 in (0.6 cm)       |
| Package 1 Width              | 3.11 in (7.9 cm)       |
| Package 1 Length             | 3.78 in (9.6 cm)       |
| Package 1 Weight             | 0.83 oz (23.5 g)       |
| Unit Type of Package 2       | BB1                    |
| Number of Units in Package 2 | 10                     |
| Package 2 Height             | 2.80 in (7.1 cm)       |
| Package 2 Width              | 3.35 in (8.5 cm)       |
| Package 2 Length             | 4.21 in (10.7 cm)      |
| Package 2 Weight             | 0.58 lb(US) (0.263 kg) |
| Unit Type of Package 3       | S03                    |
| Number of Units in Package 3 | 300                    |
| Package 3 Height             | 11.81 in (30.0 cm)     |
| Package 3 Width              | 11.81 in (30.0 cm)     |
| Package 3 Length             | 15.75 in (40.0 cm)     |
| Package 3 Weight             | 20.50 lb(US) (9.3 kg)  |

## Offer Sustainability

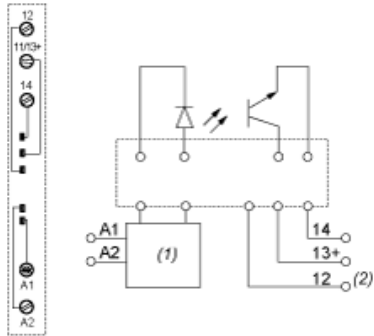
|                            |  |
|----------------------------|--|
| Sustainable offer status   | Green Premium product  |
| California proposition 65  | WARNING: This product can expose you to chemicals including: Nickel compounds, which is known to the State of California to cause cancer, and Di-isodecyl phthalate (DIDP), which is known to the State of California to cause birth defects or other reproductive harm. For more information go to <a href="http://www.P65Warnings.ca.gov">www.P65Warnings.ca.gov</a> |
| REACH Regulation           | <a href="#">REACH Declaration</a>  |
| REACH free of SVHC         | Yes  |
| EU RoHS Directive          | Pro-active compliance (Product out of EU RoHS legal scope) <a href="#">EU RoHS Declaration</a>   |
| Toxic heavy metal free     | Yes  |
| Mercury free               | Yes  |
| China RoHS Regulation      | <a href="#">China RoHS Declaration</a>   |
| RoHS exemption information | <a href="#">Yes</a>  |
| Environmental Disclosure   | <a href="#">Product Environmental Profile</a>  |
| Circularity Profile        | <a href="#">End Of Life Information</a>  |

Dimensions



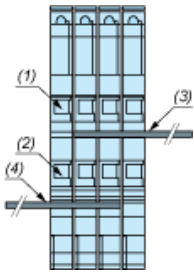
## Wiring Diagram

### Wiring Diagram for DC Output



- (1) Protection circuit
- (2) Terminal 12 is not in use for SSL Relay

### Example of RSLZ2 Bus Jumper Mounting on Sockets



- (1) A1
- (2) A2
- (3) Bus jumper polarity A1
- (4) Bus jumper polarity A2