

# SSM1A430M7

Solid State Relay, Zelio Relay, zero voltage switching, DIN rail mount, 30A, 92 to 280VDC input, 48 to 660VAC output



## Main

Range of Product	Harmony Solid State Relays
Product or Component Type	Solid state relay up to 30 A
Device short name	SSM1
Number of phases	1 phase
Output switching mode	Zero voltage switching

## Complementary

Mounting Support	Symmetrical DIN rail
Line Rated Current	30 A
Output voltage	48...660 V AC
[Uc] control circuit voltage	90...280 V AC
Tightening torque	0.6...0.7 N.m for input 1.36...1.7 N.m for output
Connections - terminals	Screw terminals 1 x 0.2...1 x 5.3 mm <sup>2</sup> , AWG 24...AWG 10) input Screw terminals 1 x 0.2...1 x 5.3 mm <sup>2</sup> , AWG 24...AWG 10) output
Maximum capacitance	8 pF for input/output
Insulation resistance	1000 MOhm at 500 V DC
Local signalling	For input status LED (green)
Switching voltage	90 V AC turn-on 10 V AC turn-off
Input current	2...10 mA
Solid state output type	SCR output Zero voltage switching
Load current	0.15...30 A
Transient overvoltage	1200 V
Surge current	1200 A 16.6 ms
Maximum voltage drop	<1.6 V on-state
Maximum I <sup>2</sup> t for fusing	6000 A <sup>2</sup> .s for 8.3 ms
Maximum leakage current	1 mA off-state
DV/dt	500 V/μs off-state at maximum voltage
Response time	10 ms (turn-on) 40 ms (turn-off)
Overvoltage category	III
Net Weight	0.62 lb(US) (0.28 kg)

The information provided in this documentation contains general descriptions and/or technical characteristics of the performance of the products contained herein. This documentation is not intended as a substitute for and is not to be used for determining suitability or reliability of these products for specific user applications. It is the duty of any such user or integrator to perform the appropriate and complete risk analysis, evaluation and testing of the products with respect to the relevant specific application or use thereof. Neither Schneider Electric Industries SAS nor any of its affiliates or subsidiaries shall be responsible or liable for misuse of the information contained herein.

## Environment

Dielectric strength	4 KV AC for input/output 4 kV AC for input or output to case
Pollution degree	2
Standards	IEC 60950-1 CSA C22.2 No 14 UL 508
Product Certifications	UL CSA EAC
Marking	CE EAC UL CSA
IP degree of protection	IP20
Ambient Air Temperature for Operation	-40...176 °F (-40...80 °C)
Ambient Air Temperature for Storage	-40...257 °F (-40...125 °C)

## Ordering and shipping details

Category	22375-INTERFACE MODULE(ABA,R,S)
Discount Schedule	CP2
GTIN	3606485441610
Returnability	No
Country of origin	MX

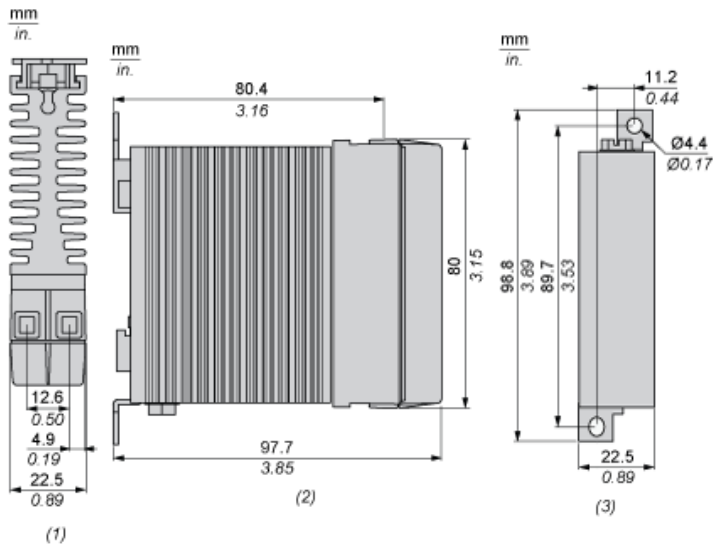
## Packing Units

Unit Type of Package 1	PCE
Number of Units in Package 1	1
Package 1 Height	1.22 in (3.1 cm)
Package 1 Width	4.33 in (11.0 cm)
Package 1 Length	4.33 in (11.0 cm)
Package 1 Weight	10.44 oz (296.0 g)
Unit Type of Package 2	S02
Number of Units in Package 2	24
Package 2 Height	5.91 in (15.0 cm)
Package 2 Width	11.81 in (30.0 cm)
Package 2 Length	15.75 in (40.0 cm)
Package 2 Weight	16.62 lb(US) (7.539 kg)

## Offer Sustainability

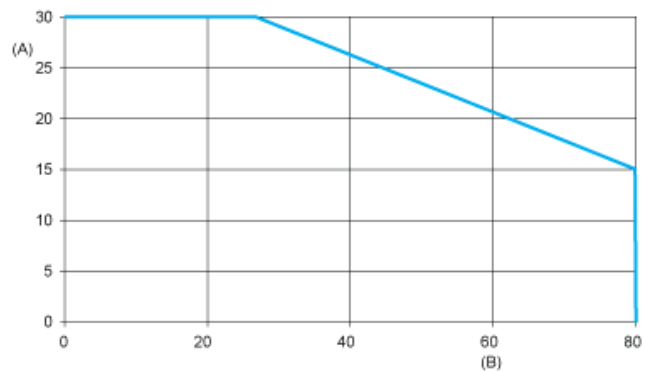
Sustainable offer status	Green Premium product
California proposition 65	WARNING: This product can expose you to chemicals including: Lead and lead compounds, which is known to the State of California to cause cancer and birth defects or other reproductive harm. For more information go to <a href="http://www.P65Warnings.ca.gov">www.P65Warnings.ca.gov</a>
REACH Regulation	<a href="#">REACH Declaration</a>
EU RoHS Directive	Pro-active compliance (Product out of EU RoHS legal scope) <a href="#">EU RoHS Declaration</a>
Mercury free	Yes
China RoHS Regulation	<a href="#">China RoHS Declaration</a>
RoHS exemption information	<a href="#">Yes</a>
Environmental Disclosure	<a href="#">Product Environmental Profile</a>
Circularity Profile	<a href="#">End Of Life Information</a>

## Dimensions



- (1) Top view
- (2) Side view
- (3) Front view

Derating Curves



A : Load Current (Amperes)  
B : Ambient Temperature (°C)