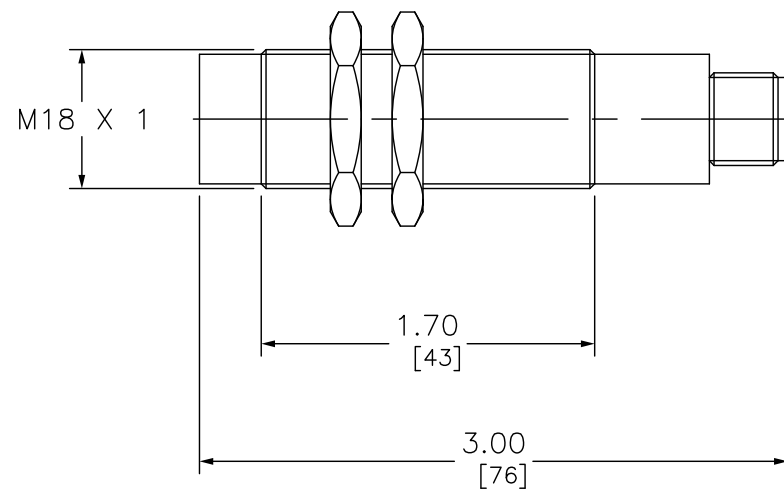


FRONT



RIGHT

DUAL DIMENSIONS: INCHES  
MILLIMETERS

PHOTOELECTRIC SENSOR 18MM PNP XUB



DWG# XUB5BPANM12  
NO.