

Modicon TM5

Digital I/O Modules

Hardware Guide

09/2020



EIO0000003197.01

www.schneider-electric.com

Schneider
Electric™

The information provided in this documentation contains general descriptions and/or technical characteristics of the performance of the products contained herein. This documentation is not intended as a substitute for and is not to be used for determining suitability or reliability of these products for specific user applications. It is the duty of any such user or integrator to perform the appropriate and complete risk analysis, evaluation and testing of the products with respect to the relevant specific application or use thereof. Neither Schneider Electric nor any of its affiliates or subsidiaries shall be responsible or liable for misuse of the information contained herein. If you have any suggestions for improvements or amendments or have found errors in this publication, please notify us.

You agree not to reproduce, other than for your own personal, noncommercial use, all or part of this document on any medium whatsoever without permission of Schneider Electric, given in writing. You also agree not to establish any hypertext links to this document or its content. Schneider Electric does not grant any right or license for the personal and noncommercial use of the document or its content, except for a non-exclusive license to consult it on an "as is" basis, at your own risk. All other rights are reserved.

All pertinent state, regional, and local safety regulations must be observed when installing and using this product. For reasons of safety and to help ensure compliance with documented system data, only the manufacturer should perform repairs to components.

When devices are used for applications with technical safety requirements, the relevant instructions must be followed.

Failure to use Schneider Electric software or approved software with our hardware products may result in injury, harm, or improper operating results.

Failure to observe this information can result in injury or equipment damage.

© 2020 Schneider Electric. All rights reserved.

Table of Contents



	Safety Information	7
	About the Book	9
Part I	TM5 Digital I/O General Overview	15
Chapter 1	TM5 System General Rules for Implementing	17
	Installation and Maintenance Requirements	18
	Wiring Best Practices	21
	TM5 Environmental Characteristics	27
	Installation Guidelines	30
	Hot Swapping Electronic Modules	31
Chapter 2	TM5 Digital I/O General Overview	35
	General Description	36
	Physical Description	39
Part II	TM5 System Digital Input Electronic Modules	43
Chapter 3	TM5SDI2D Electronic Module 2DI 24 Vdc Sink 3 Wires	45
	TM5SDI2D Presentation	46
	TM5SDI2D Characteristics	48
	TM5SDI2D Wiring Diagram	50
Chapter 4	TM5SDI4D Electronic Module 4DI 24 Vdc Sink 3 Wires	51
	TM5SDI4D Presentation	52
	TM5SDI4D Characteristics	54
	TM5SDI4D Wiring Diagram	56
Chapter 5	TM5SDI6D Electronic Module 6DI 24 Vdc Sink 2 Wires	57
	TM5SDI6D Presentation	58
	TM5SDI6D Characteristics	60
	TM5SDI6D Wiring Diagram	62
Chapter 6	TM5SDI12D Electronic Module 12DI 24 Vdc Sink 1 Wire	65
	TM5SDI12D Presentation	66
	TM5SDI12D Characteristics	68
	TM5SDI12D Wiring Diagram	70
Chapter 7	TM5SDI16D Electronic Module 16DI 24 Vdc Sink 1 Wire	73
	TM5SDI16D Presentation	74
	TM5SDI16D Characteristics	76
	TM5SDI16D Wiring Diagram	79

Chapter 8	TM5SDI2DF Electronic Module 2DI 24 Vdc Sink 3 Wires	81
	TM5SDI2DF Presentation	82
	TM5SDI2DF Characteristics	84
	TM5SDI2DF Wiring Diagram	87
Chapter 9	TM5SDI2A Electronic Module 2DI 100...240 Vac	
	50/60 Hz 3 Wires	89
	TM5SDI2A Presentation	90
	TM5SDI2A Characteristics	92
	TM5SDI2A Wiring Diagram	94
Chapter 10	TM5SDI4A Electronic Module 4DI 100...240 Vac	
	50/60 Hz 2 Wires	95
	TM5SDI4A Presentation	96
	TM5SDI4A Characteristics	98
	TM5SDI4A Wiring Diagram	100
Chapter 11	TM5SDI6U Electronic Module 6DI 100...120 Vac	
	50/60 Hz 1 Wire	101
	TM5SDI6U Presentation	102
	TM5SDI6U Characteristics	104
	TM5SDI6U Wiring Diagram	106
Part III	TM5 System Digital Output Electronic Modules	107
Chapter 12	TM5SDO2T Electronic Module 2DO 24 Vdc Tr 0.5 A	
	3 Wires	109
	TM5SDO2T Presentation	110
	TM5SDO2T Characteristics	112
	TM5SDO2T Wiring Diagram	115
Chapter 13	TM5SDO4T Electronic Module 4DO 24 Vdc Tr 0.5 A	
	3 Wires	117
	TM5SDO4T Presentation	118
	TM5SDO4T Characteristics	120
	TM5SDO4T Wiring Diagram	123
Chapter 14	TM5SDO4TA Electronic Module 4DO 24 Vdc Tr 2 A	
	3 Wires	125
	TM5SDO4TA Presentation	126
	TM5SDO4TA Characteristics	128
	TM5SDO4TA Wiring Diagram	131

Chapter 15	TM5SDO6T Electronic Module 6DO 24 Vdc Tr 0.5 A	
	2 Wires	133
	TM5SDO6T Presentation	134
	TM5SDO6T Characteristics	136
	TM5SDO6T Wiring Diagram	139
Chapter 16	TM5SDO8TA Electronic Module 8DO 24 Vdc Tr 2 A	
	1 Wire	141
	TM5SDO8TA Presentation	142
	TM5SDO8TA Characteristics	144
	TM5SDO8TA Wiring Diagram	148
Chapter 17	TM5SDO12T Electronic Module 12DO 24 Vdc Tr 0.5 A	
	1 Wire	151
	TM5SDO12T Presentation	152
	TM5SDO12T Characteristics	154
	TM5SDO12T Wiring Diagram	157
Chapter 18	TM5SDO16T Electronic Module 16DO 24 Vdc Tr 0.5 A	
	1 Wire	159
	TM5SDO16T Presentation	160
	TM5SDO16T Characteristics	162
	TM5SDO16T Wiring Diagram	166
Chapter 19	TM5SDO2R Electronic Module 2DO 30 Vdc/230 Vac	
	50/60 Hz 5A Relay C/O	169
	TM5SDO2R Presentation	170
	TM5SDO2R Characteristics	172
	TM5SDO2R Wiring Diagram	175
Chapter 20	TM5SDO4R Electronic Module 4DO 30 Vdc/230 Vac	
	50/60 Hz 5 A Relay N/O	177
	TM5SDO4R Presentation	178
	TM5SDO4R Characteristics	180
	TM5SDO4R Wiring Diagram	183
Chapter 21	TM5SDO2S Electronic Module 2DO 240 Vac 50/60 Hz	
	Triac 1 A 3 Wires	185
	TM5SDO2S Presentation	186
	TM5SDO2S Characteristics	188
	TM5SDO2S Wiring Diagram	190

Part IV	TM5 System Digital Mixed Input/Output	193
Chapter 22	TM5SDM8DTS Electronic Module 4DI/4DO 24 Vdc Tr	
	0.1 A 1 Wire	195
	TM5SDM8DTS Presentation	196
	TM5SDM8DTS Characteristics	199
	TM5SDM8DTS Wiring Diagram	203
Chapter 23	TM5SDM12DT Electronic Module 8DI/4DO 24 Vdc Tr	
	0.5 A 1 Wire	205
	TM5SDM12DT Presentation	206
	TM5SDM12DT Characteristics	209
	TM5SDM12DT Wiring Diagram	213
Chapter 24	TM5SMM6D2L Electronic Module 4DI/2DO 24Vdc	
	Tr 0.5A / 1AI/1AO ±10V/0-20mA 12 Bits	215
	TM5SMM6D2L Presentation	216
	TM5SMM6D2L Characteristics	219
	TM5SMM6D2L Wiring Diagram	225
Glossary	229
Index	235

Safety Information



Important Information

NOTICE

Read these instructions carefully, and look at the equipment to become familiar with the device before trying to install, operate, service, or maintain it. The following special messages may appear throughout this documentation or on the equipment to warn of potential hazards or to call attention to information that clarifies or simplifies a procedure.



The addition of this symbol to a “Danger” or “Warning” safety label indicates that an electrical hazard exists which will result in personal injury if the instructions are not followed.



This is the safety alert symbol. It is used to alert you to potential personal injury hazards. Obey all safety messages that follow this symbol to avoid possible injury or death.

DANGER

DANGER indicates a hazardous situation which, if not avoided, **will result in death** or serious injury.

WARNING

WARNING indicates a hazardous situation which, if not avoided, **could result in death** or serious injury.

CAUTION

CAUTION indicates a hazardous situation which, if not avoided, **could result** in minor or moderate injury.

NOTICE

NOTICE is used to address practices not related to physical injury.

PLEASE NOTE

Electrical equipment should be installed, operated, serviced, and maintained only by qualified personnel. No responsibility is assumed by Schneider Electric for any consequences arising out of the use of this material.

A qualified person is one who has skills and knowledge related to the construction and operation of electrical equipment and its installation, and has received safety training to recognize and avoid the hazards involved.

About the Book



At a Glance

Document Scope

This manual describes the hardware implementation of the Modicon TM5 Digital I/O Modules. It provides part descriptions, specifications, wiring diagrams, installation and setup for Modicon TM5 Digital I/O Modules.

Validity Note

This document has been updated for the release of EcoStruxure™ Machine Expert V1.2.5.

The technical characteristics of the devices described in the present document also appear online.

To access the information online:

Step	Action
1	Go to the Schneider Electric home page www.schneider-electric.com .
2	In the Search box type the reference of a product or the name of a product range. <ul style="list-style-type: none">● Do not include blank spaces in the reference or product range.● To get information on grouping similar modules, use asterisks (*).
3	If you entered a reference, go to the Product Datasheets search results and click on the reference that interests you. If you entered the name of a product range, go to the Product Ranges search results and click on the product range that interests you.
4	If more than one reference appears in the Products search results, click on the reference that interests you.
5	Depending on the size of your screen, you may need to scroll down to see the datasheet.
6	To save or print a datasheet as a .pdf file, click Download XXX product datasheet .

The characteristics that are described in the present document should be the same as those characteristics that appear online. In line with our policy of constant improvement, we may revise content over time to improve clarity and accuracy. If you see a difference between the document and online information, use the online information as your reference.

For product compliance and environmental information (RoHS, REACH, PEP, EOLI, etc.), go to www.schneider-electric.com/green-premium.

Related Documents

Title of Documentation	Reference Number
Modicon TM5 Expansion Modules Configuration Programming Guide	EIO0000003179 (ENG) EIO0000003180 (FRE) EIO0000003181 (GER) EIO0000003182 (SPA) EIO0000003183 (ITA) EIO0000003184 (CHS)
Modicon TM5 / TM7 Flexible System - System Planning and Installation Guide	EIO0000003161 (ENG) EIO0000003162 (FRE) EIO0000003163 (GER) EIO0000003164 (SPA) EIO0000003165 (ITA) EIO0000003166 (CHS)
TM5SDM8DTS Parameter Description	EIO0000002228 (ENG) EIO0000002229 (GER)
TM5 DIO Modules Instruction Sheet	BBV56045 (ENG)

You can download these technical publications and other technical information from our website at <https://www.se.com/ww/en/download/> .

Product Related Information

DANGER

HAZARD OF ELECTRIC SHOCK, EXPLOSION OR ARC FLASH

- Disconnect all power from all equipment including connected devices prior to removing any covers or doors, or installing or removing any accessories, hardware, cables, or wires except under the specific conditions specified in the appropriate hardware guide for this equipment.
- Always use a properly rated voltage sensing device to confirm the power is off where and when indicated.
- Replace and secure all covers, accessories, hardware, cables, and wires and confirm that a proper ground connection exists before applying power to the unit.
- Use only the specified voltage when operating this equipment and any associated products.

Failure to follow these instructions will result in death or serious injury.

DANGER

POTENTIAL FOR EXPLOSION

- Only use this equipment in non-hazardous locations, or in locations that comply with Class I, Division 2, Groups A, B, C and D.
- Do not substitute components which would impair compliance to Class I, Division 2.
- Do not connect or disconnect equipment unless power has been removed or the location is known to be non-hazardous.
- Do not use the USB port(s), if so equipped, unless the location is known to be non-hazardous.

Failure to follow these instructions will result in death or serious injury.

WARNING

LOSS OF CONTROL

- The designer of any control scheme must consider the potential failure modes of control paths and, for certain critical control functions, provide a means to achieve a safe state during and after a path failure. Examples of critical control functions are emergency stop and overtravel stop, power outage and restart.
- Separate or redundant control paths must be provided for critical control functions.
- System control paths may include communication links. Consideration must be given to the implications of unanticipated transmission delays or failures of the link.
- Observe all accident prevention regulations and local safety guidelines.¹
- Each implementation of this equipment must be individually and thoroughly tested for proper operation before being placed into service.

Failure to follow these instructions can result in death, serious injury, or equipment damage.

¹ For additional information, refer to NEMA ICS 1.1 (latest edition), "Safety Guidelines for the Application, Installation, and Maintenance of Solid State Control" and to NEMA ICS 7.1 (latest edition), "Safety Standards for Construction and Guide for Selection, Installation and Operation of Adjustable-Speed Drive Systems" or their equivalent governing your particular location.

WARNING

UNINTENDED EQUIPMENT OPERATION

- Only use software approved by Schneider Electric for use with this equipment.
- Update your application program every time you change the physical hardware configuration.

Failure to follow these instructions can result in death, serious injury, or equipment damage.

Terminology Derived from Standards

The technical terms, terminology, symbols and the corresponding descriptions in this manual, or that appear in or on the products themselves, are generally derived from the terms or definitions of international standards.

In the area of functional safety systems, drives and general automation, this may include, but is not limited to, terms such as *safety*, *safety function*, *safe state*, *fault*, *fault reset*, *malfunction*, *failure*, *error*, *error message*, *dangerous*, etc.

Among others, these standards include:

Standard	Description
IEC 61131-2:2007	Programmable controllers, part 2: Equipment requirements and tests.
ISO 13849-1:2015	Safety of machinery: Safety related parts of control systems. General principles for design.
EN 61496-1:2013	Safety of machinery: Electro-sensitive protective equipment. Part 1: General requirements and tests.
ISO 12100:2010	Safety of machinery - General principles for design - Risk assessment and risk reduction
EN 60204-1:2006	Safety of machinery - Electrical equipment of machines - Part 1: General requirements
ISO 14119:2013	Safety of machinery - Interlocking devices associated with guards - Principles for design and selection
ISO 13850:2015	Safety of machinery - Emergency stop - Principles for design
IEC 62061:2015	Safety of machinery - Functional safety of safety-related electrical, electronic, and electronic programmable control systems
IEC 61508-1:2010	Functional safety of electrical/electronic/programmable electronic safety-related systems: General requirements.
IEC 61508-2:2010	Functional safety of electrical/electronic/programmable electronic safety-related systems: Requirements for electrical/electronic/programmable electronic safety-related systems.
IEC 61508-3:2010	Functional safety of electrical/electronic/programmable electronic safety-related systems: Software requirements.
IEC 61784-3:2016	Industrial communication networks - Profiles - Part 3: Functional safety fieldbuses - General rules and profile definitions.
2006/42/EC	Machinery Directive
2014/30/EU	Electromagnetic Compatibility Directive
2014/35/EU	Low Voltage Directive

In addition, terms used in the present document may tangentially be used as they are derived from other standards such as:

Standard	Description
IEC 60034 series	Rotating electrical machines
IEC 61800 series	Adjustable speed electrical power drive systems
IEC 61158 series	Digital data communications for measurement and control – Fieldbus for use in industrial control systems

Finally, the term *zone of operation* may be used in conjunction with the description of specific hazards, and is defined as it is for a *hazard zone* or *danger zone* in the *Machinery Directive (2006/42/EC)* and *ISO 12100:2010*.

Part I

TM5 Digital I/O General Overview

What Is in This Part?

This part contains the following chapters:

Chapter	Chapter Name	Page
1	TM5 System General Rules for Implementing	17
2	TM5 Digital I/O General Overview	35

Chapter 1

TM5 System General Rules for Implementing

What Is in This Chapter?

This chapter contains the following topics:

Topic	Page
Installation and Maintenance Requirements	18
Wiring Best Practices	21
TM5 Environmental Characteristics	27
Installation Guidelines	30
Hot Swapping Electronic Modules	31

Installation and Maintenance Requirements

Before Starting

Read and understand this chapter before beginning the installation of your TM5 System.

The use and application of the information contained herein require expertise in the design and programming of automated control systems. Only you, the user, machine builder or integrator, can be aware of all the conditions and factors present during installation and setup, operation, and maintenance of the machine or process, and can therefore determine the automation and associated equipment and the related safeties and interlocks which can be effectively and properly used. When selecting automation and control equipment, and any other related equipment or software, for a particular application, you must also consider any applicable local, regional or national standards and/or regulations.

Pay particular attention in conforming to any safety information, different electrical requirements, and normative standards that would apply to your machine or process in the use of this equipment.

NOTICE

ELECTROSTATIC DISCHARGE

- Store all components in their protective packaging until immediately before assembly.
- Never touch exposed conductive parts such as contacts or terminals.

Failure to follow these instructions can result in equipment damage.

Disconnecting Power

All options and modules should be assembled and installed before installing the control system on a mounting rail, onto a mounting plate or in a panel. Remove the control system from its mounting rail, mounting plate or panel before disassembling the equipment.


DANGER

HAZARD OF ELECTRIC SHOCK, EXPLOSION OR ARC FLASH


- Disconnect all power from all equipment including connected devices prior to removing any covers or doors, or installing or removing any accessories, hardware, cables, or wires except under the specific conditions specified in the appropriate hardware guide for this equipment.
- Always use a properly rated voltage sensing device to confirm the power is off where and when indicated.
- Replace and secure all covers, accessories, hardware, cables, and wires and confirm that a proper ground connection exists before applying power to the unit.
- Use only the specified voltage when operating this equipment and any associated products.


Failure to follow these instructions will result in death or serious injury.

Programming Considerations

 WARNING
<p>UNINTENDED EQUIPMENT OPERATION</p> <ul style="list-style-type: none"> ● Only use software approved by Schneider Electric for use with this equipment. ● Update your application program every time you change the physical hardware configuration. <p>Failure to follow these instructions can result in death, serious injury, or equipment damage.</p>

Operating Environment

 DANGER
<p>POTENTIAL FOR EXPLOSION</p> <ul style="list-style-type: none"> ● Only use this equipment in non-hazardous locations, or in locations that comply with Class I, Division 2, Groups A, B, C and D. ● Do not substitute components which would impair compliance to Class I, Division 2. ● Do not connect or disconnect equipment unless power has been removed or the location is known to be non-hazardous. ● Do not use the USB port(s), if so equipped, unless the location is known to be non-hazardous. <p>Failure to follow these instructions will result in death or serious injury.</p>

 WARNING
<p>UNINTENDED EQUIPMENT OPERATION</p> <p>Install and operate this equipment according to the conditions described in the Environmental Characteristics.</p> <p>Failure to follow these instructions can result in death, serious injury, or equipment damage.</p>

Installation Considerations

WARNING

UNINTENDED EQUIPMENT OPERATION

- Use appropriate safety interlocks where personnel and/or equipment hazards exist.
- Install and operate this equipment in an enclosure appropriately rated for its intended environment and secured by a keyed or tooled locking mechanism.
- Use the sensor and actuator power supplies only for supplying power to the sensors or actuators connected to the module.
- Power line and output circuits must be wired and fused in compliance with local and national regulatory requirements for the rated current and voltage of the particular equipment.
- Do not use this equipment in safety-critical machine functions unless the equipment is otherwise designated as functional safety equipment and conforming to applicable regulations and standards.
- Do not disassemble, repair, or modify this equipment.
- Do not connect any wiring to reserved, unused connections, or to connections designated as No Connection (N.C.).

Failure to follow these instructions can result in death, serious injury, or equipment damage.

NOTE: JDYX2 or JDYX8 fuse types are UL-recognized and CSA approved.

Wiring Best Practices

Introduction

There are several rules that must be followed when wiring the TM5 System.

Wiring Rules



HAZARD OF ELECTRIC SHOCK, EXPLOSION OR ARC FLASH

- Disconnect all power from all equipment including connected devices prior to removing any covers or doors, or installing or removing any accessories, hardware, cables, or wires except under the specific conditions specified in the appropriate hardware guide for this equipment.
- Always use a properly rated voltage sensing device to confirm the power is off where and when indicated.
- Replace and secure all covers, accessories, hardware, cables, and wires and confirm that a proper ground connection exists before applying power to the unit.
- Use only the specified voltage when operating this equipment and any associated products.

Failure to follow these instructions will result in death or serious injury.

The following rules must be applied when wiring the TM5 System:

- I/O and communication wiring must be kept separate from the power wiring. Route these 2 types of wiring in separate cable ducting.
- Verify that the operating conditions and environment are within the specification values.
- Use proper wire sizes to meet voltage and current requirements.
- Use copper conductors only.
- Use twisted pair, shielded cables for analog, expert, or fast I/O and TM5 bus signals.
- Use twisted pair, shielded cables for encoder, networks and fieldbus (CAN, serial, Ethernet).

Use shielded, properly grounded cables for all analog and high-speed inputs or outputs and communication connections. If you do not use shielded cable for these connections, electromagnetic interference can cause signal degradation. Degraded signals can cause the controller or attached modules and equipment to perform in an unintended manner.

⚠ WARNING

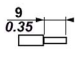


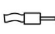

UNINTENDED EQUIPMENT OPERATION

- Use shielded cables for all fast I/O, analog I/O and communication signals.
- Ground cable shields for all analog I/O, fast I/O and communication signals at a single point¹.
- Route communication and I/O cables separately from power cables.

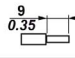



Failure to follow these instructions can result in death, serious injury, or equipment damage.

¹Multipoint grounding is permissible if connections are made to an equipotential ground plane dimensioned to help avoid cable shield damage in the event of power system short-circuit currents. Refer to the section Grounding the TM5 System to ground the shielded cables.

This table provides the wire sizes to use with the removable spring terminal blocks (TM5ACTB06, TM5ACTB12, TM5ACTB12, TM5ACTB12PS, TM5ACTB32):

mm in.					
mm ²		0,08...2,5	0,25...2,5	0,25...1,5	2 x 0,25...2 x 0,75
AWG		28...14	24...14	24...16	2 x 24...2 x 18

This table provides the wire sizes to use with the TM5ACTB16 terminal blocks:

mm in.				
mm ²		0,08...1,5	0,25...1,5	0,25...0,75
AWG		28...16	24...16	24...20

⚠ DANGER

FIRE HAZARD

Use only the correct wire sizes for the maximum current capacity of the I/O channels and power supplies.

Failure to follow these instructions will result in death or serious injury.

The spring clamp connectors of the terminal block are designed for only one wire or one cable end. Two wires to the same connector must be installed with a double wire cable end to help prevent loosening.

  **DANGER**

LOOSE WIRING CAUSES ELECTRIC SHOCK

Do not insert more than one wire per connector of the spring terminal blocks unless using a double wire cable end (ferrule).

Failure to follow these instructions will result in death or serious injury.

TM5 Terminal Block

Inserting an incorrect terminal block into the electronic module can cause unintended operation of the application and/or damage the electronic module.

  **DANGER**

ELECTRIC SHOCK OR UNINTENDED EQUIPMENT OPERATION

Connect the terminal blocks to their designated location.

Failure to follow these instructions will result in death or serious injury.

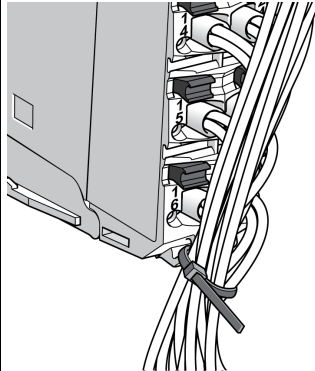
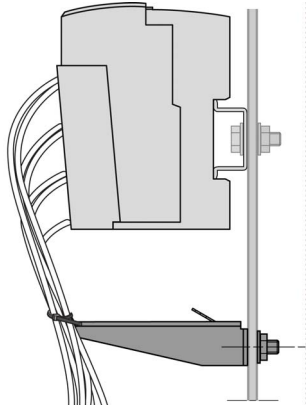
NOTE: To help prevent a terminal block from being inserted incorrectly, ensure that each terminal block and electronic module is clearly and uniquely coded.

TM5 Strain Relief Using Cable Tie

There are 2 methods to reduce the stress on cables:

- The terminal blocks have slots to attach cable ties. A cable tie can be fed through this slot to secure cables and wires to reduce stress between them and the terminal block connections.
- After grounding the TM5 System by means of the grounding plate TM2XMTGB, wires can be bundled and affixed to the grounding plate tabs using wire ties to reduce stress on the cables.

The following table provides the size of the cable tie and presents the two methods to reduce the stress on the cables:

Cable Tie Size	Terminal Block	TM2XMTGB Grounding Plate
Thickness	1.2 mm (0.05 in.) maximum	1.2 mm (0.05 in.)
Width	4 mm (0.16 in.) maximum	2.5...3 mm (0.1...0.12 in.)
Mounting illustration		

⚠ WARNING

ACCIDENTAL DISCONNECTION FROM PROTECTIVE GROUND (PE)

- Do not use the TM2XMTGB Grounding Plate to provide a protective ground (PE).
- Use the TM2XMTGB Grounding Plate only to provide a functional ground (FE).

Failure to follow these instructions can result in death, serious injury, or equipment damage.

Protecting Outputs from Inductive Load Damage

Depending on the load, a protection circuit may be needed for the outputs on the controllers and certain modules. Inductive loads using DC voltages may create voltage reflections resulting in overshoot that will damage or shorten the life of output devices.

⚠ WARNING

INDUCTIVE LOADS

Use an appropriate external protective circuit or device to reduce the risk of inductive direct current load damage.

Failure to follow these instructions can result in death, serious injury, or equipment damage.

If your controller or module contains relay outputs, these types of outputs can support up to 240 Vac. Inductive damage to these types of outputs can result in welded contacts and loss of control. Each inductive load must include a protection device such as a peak limiter, RC circuit or flyback diode. Capacitive loads are not supported by these relays.

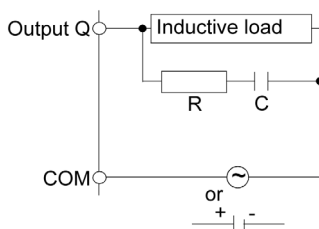
⚠ WARNING

RELAY OUTPUTS WELDED CLOSED

- Always protect relay outputs from inductive alternating current load damage using an appropriate external protective circuit or device.
- Do not connect relay outputs to capacitive loads.

Failure to follow these instructions can result in death, serious injury, or equipment damage.

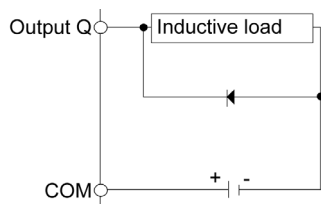
Protective circuit A: this protection circuit can be used for both AC and DC load power circuits.



C Value from 0.1 to 1 μF

R Resistor of approximately the same resistance value as the load

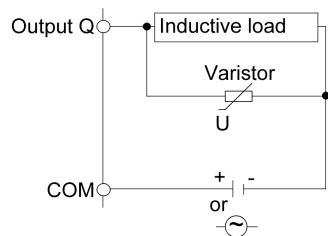
Protective circuit B: this protection circuit can be used for DC load power circuits.



Use a diode with the following ratings:

- Reverse withstand voltage: power voltage of the load circuit x10.
- Forward current: more than the load current.

Protective circuit C: this protection circuit can be used for both AC and DC load power circuits.



In applications where the inductive load is switched on and off frequently and/or rapidly, ensure that the continuous energy rating (J) of the varistor exceeds the peak load energy by 20 % or more.

TM5 Environmental Characteristics

Enclosure Requirements

TM5 components are designed as Zone B, Class A industrial equipment according to IEC/CISPR Publication 11. If they are used in environments other than those described in the standard, or in environments that do not meet the specifications in this manual, your ability to meet electromagnetic compatibility requirements in the presence of conducted and/or radiated interference may be reduced.

The TM5 components meet European Community (CE) requirements for open equipment as defined by EN61131-2. You must install them in an enclosure designed for the specific environmental conditions and to minimize the possibility of unintended contact with hazardous voltages. The enclosure should be constructed of metal to improve the electromagnetic immunity of your TM5 System. The enclosure should, and in the case of UL compliance, must, have a keyed locking mechanism to minimize unauthorized access.

Environmental Characteristics

This equipment meets UL and CSA standards and, for the majority of the modules, carry both certification marks. In addition, all modules are certified as CE compliant. This equipment is intended for use in a Pollution Degree 2 industrial environment.

NOTE: Some module characteristics may differ from those presented in the following tables. Refer to the chapter concerning your specific module for more information.

The table below provides the general environmental characteristics:

Characteristic		Minimum Specification	Tested Range	
Standard		IEC61131-2	–	
Agency Standards		UL 508 CSA 22.2 No. 142-M1987 CSA 22.2 No. 213-M1987	–	
Ambient operating temperature		–	Horizontal installation	0...55 °C (32...131 °F)
		–	Vertical installation	0...50 °C (32...122 °F)
Storage temperature		–	-25...70 °C (-13...158 °F)	
Relative humidity		–	5...95% (non-condensing)	
Degree of pollution		IEC60664	2	
Degree of protection		IEC61131-2	IP20	
Corrosion immunity		None	–	
Operating altitude		–	0...2000 m (0...6.560 ft.)	
Storage altitude		–	0...3000 m (0...9.842 ft.)	
Vibration resistance		–	Mounted on a DIN rail	3.5 mm (0.138 in.) fixed amplitude from 5...8.4 Hz 9.8 m/s ² (1 g _n) fixed acceleration from 8.4...150 Hz
Mechanical shock resistance		–	147 m/s ² (15 g _n) for a duration of 11 ms	
Connection type	Removable spring terminal block	–	–	
Connector insertion/removal cycles		–	50	
NOTE: The tested ranges may indicate values beyond that of the IEC Standard. However, our internal standards define what is necessary for industrial environments. In all cases, we uphold the minimum specification if indicated.				

Electromagnetic Susceptibility

The following table provides the TM5 System electromagnetic susceptibility specifications:

Characteristic	Minimum Specification	Tested Range
Electrostatic discharge	IEC/EN 61000-4-2	8 kV (air discharge), criteria B 4 kV (contact discharge), criteria B
Electromagnetic fields	IEC/EN 61000-4-3	10 V/m (80 MHz...2 GHz), criteria A 10 V/m (80 MHz...2.7 GHz) ⁽¹⁾
Fast transients burst	IEC/EN 61000-4-4	Power lines: 2 kV, criteria B I/O: 1 kV, criteria B Shielded cable: 1 kV, criteria B Repetition rate: 5 and 100 KHz
Surge immunity 24 Vdc circuit	IEC/EN 61000-4-5	1 kV in common mode, criteria B 0.5 kV in differential mode, criteria B
Surge immunity 230 Vac circuit	IEC/EN 61000-4-5	2 kV in common mode, criteria B 1 kV in differential mode, criteria B
Induced electromagnetic field	IEC/EN 61000-4-6	10 V _{eff} (0.15...80 MHz), criteria A
Conducted emission	EN 55011 (IEC/CISPR11)	150...500 kHz, quasi peak 79 dB (µV) 500 kHz...30 MHz, quasi peak 73 dB (µV)
Radiated emission	EN 55011 (IEC/CISPR11)	30...230 MHz, 10 m@40 dB (µV/m) 230 MHz...1 GHz, 10 m@47 dB (µV/m)
<p>Criteria A Uninterrupted operation during test. Criteria B Brief interruption during the test allowed. (1) Applies for TM5SE11C20005 and TM5SE1MISC20005.</p> <p>NOTE: The tested ranges may indicate values beyond that of the IEC Standard. However, our internal standards define what is necessary for industrial environments. In all cases, we uphold the minimum specification if indicated.</p>		

Installation Guidelines

Installation

The following table provides documentation references for spacing requirements and installation of electronic modules and accessories:

Spacing requirement	For mounting positions and minimum clearances, the electronic modules are mounted according to the rules defined for the controllers. Refer to the <i>Enclosing the TM5 System</i> .
Electronic modules installation	Refer to: <ul style="list-style-type: none"> ● <i>TM5 Association Table</i>. ● <i>Expanding the TM5 System</i>.
Accessories installation	Refer to the <i>Installation of Accessories</i> .

Hot Swapping Electronic Modules


Definition

Hot swapping is the ability to remove an I/O electronic module from its bus base and then replace it with an identical electronic module while the TM5 System is under power without disrupting the normal operations of the controller. When the electronic module is returned to its bus base or replaced with another electronic module with the same reference, it starts to operate again.

Hot Swapping Considerations

Before initiating a hot swap operation, confirm that the electronic module type is approved for hot swapping (*see page 33*).

When removing or inserting an I/O module while power is applied, remove and insert the electronic module by hand. Do not use tools to hot swap modules because they may come into contact with hazardous voltages. Also, remove any locking clips and the terminal block before removing the electronic module from its bus base. Hot swapping is only allowed when replacing identical electronic modules.

 **DANGER**

EXPLOSION OR ELECTRIC SHOCK

- Only perform a hot swap operation in locations known and confirmed to be non-hazardous.
- Use only your hands.
- Do not use any metal tools.
- Do not disconnect any wires from the terminal block.
- Only replace an electronic module with an identical reference.

Failure to follow these instructions will result in death or serious injury.

NOTE: Only the electronic module is hot swap-able. Do not attempt a hot swap operation on the bus base, or on electronic modules that are integrated with their bus bases such as the compact I/O.

You need to understand and plan for the effects of hot-swapping certain modules. Hot-swapping modules that control power distribution to other modules, for example, can impact your machine or process. Power Distribution modules, Interface Power Distribution Modules, Common Distribution modules, Field Bus Interface Modules, and Transmitter and Receiver modules all either distribute power or communications to other electronic modules. Disconnecting the connector to these modules will interrupt power or communications to the modules they service.

For example, some Power Distribution Modules (PDMs) provide power to both the TM5 power bus and 24 Vdc I/O power segment. It is possible that you may need to replace the PDM because one service is inoperable, but not both. In this case, hot-swapping the PDM would interrupt the service that is still operating, and would interrupt power to the modules drawing power from that service.

I/O configurations that employ Common Distribution modules require careful consideration when wiring is restricted by short wire lengths. It may be the case that in order to hot-swap an electronic module that has become inoperable, you need to disconnect the connector of the Common module servicing it. Further, that same Common module may be connected to modules or devices other than the module you wish to hot-swap. Disconnecting the Common module in this case would necessarily interrupt the supply to the unaffected modules and/or devices. Be sure that you know what I/O slices or devices are connected to the Common module, and the impact that this disconnection would have on your machine or process before attempting a hot-swap operation.

WARNING

LOSS OF CONTROL

- The designer of any control scheme must consider the potential failure modes of control paths and, for certain critical control functions, provide a means to achieve a safe state during and after a path failure. Examples of critical control functions are emergency stop and overtravel stop, power outage and restart.
- Separate or redundant control paths must be provided for critical control functions.
- System control paths may include communication links. Consideration must be given to the implications of unanticipated transmission delays or failures of the link.
- Observe all accident prevention regulations and local safety guidelines.¹
- Each implementation of this equipment must be individually and thoroughly tested for proper operation before being placed into service.

Failure to follow these instructions can result in death, serious injury, or equipment damage.

¹ For additional information, refer to NEMA ICS 1.1 (latest edition), "Safety Guidelines for the Application, Installation, and Maintenance of Solid State Control" and to NEMA ICS 7.1 (latest edition), "Safety Standards for Construction and Guide for Selection, Installation and Operation of Adjustable-Speed Drive Systems" or their equivalent governing your particular location.

NOTE: Be sure you thoroughly understand the effects of a hot-swap operation on all modules and connected devices as they relate to your machine or process.

Modules that are not Hot Swap-able

Electronic modules that can not be hot swapped under any circumstances include:

TM5	Electronic Modules Type	Reasons
Controller	PCI communication	The replacement of the PCI communication module requires a power cycle before it will be recognized by the controller.
	Controller Power Distribution Module	These modules are not removable.
	Embedded I/O Modules	
Field bus interface	CANopen interface module	The replacement of the CANopen interface module depends on CANopen master architecture. Refer to the Generic CANopen Implementation Guide and documentation associated with the CANopen master.
Compact I/O	I/O modules	These modules are not removable.

Chapter 2

TM5 Digital I/O General Overview

What Is in This Chapter?

This chapter contains the following topics:

Topic	Page
General Description	36
Physical Description	39

General Description

Introduction

The range of digital electronic modules includes:

- digital input electronic modules,
- digital output electronic modules,
- mixed digital input/output electronic modules.

The TM5 digital input/output electronic modules need to be associated with a bus base and a terminal block. Every digital electronic module channel has a status LED.

Digital Input Electronic Modules Features

Digital inputs convert the electronic input signal into a binary value in the controller. The following table shows the digital input electronic modules features, with corresponding channel type and voltage/current:

Reference	Number of Channels	Voltage/current	Wiring	Signal type
TM5SDI2D <i>(see page 46)</i>	2	24 Vdc / 3.75 mA	3 wires	sink
TM5SDI4D <i>(see page 52)</i>	4	24 Vdc / 3.75 mA	3 wires	sink
TM5SDI6D <i>(see page 58)</i>	6	24 Vdc / 3.75 mA	2 wires	sink
TM5SDI12D <i>(see page 66)</i>	12	24 Vdc / 3.75 mA	1 wire	sink
TM5SDI16D <i>(see page 74)</i>	16	24 Vdc / 2.68 mA	1 wire	sink
TM5SDI2DF <i>(see page 82)</i>	2	24 Vdc / 10.5 mA	3 wires	sink
TM5SDI2A <i>(see page 90)</i>	2	100 ... 240 Vac	3 wires	NA
TM5SDI4A <i>(see page 96)</i>	4	100 ... 240 Vac	2 wires	NA
TM5SDI6U <i>(see page 102)</i>	6	100 ... 120 Vac	1 wire	NA

Digital Output Electronic Modules Features

Digital outputs convert the binary value in the controller into an electronic output signal. The following table shows the digital output electronic modules features with corresponding channel type and voltage/current:

Reference	Number of Channels	Voltage/current	Wiring	Signal type
TM5SDO2T (<i>see page 110</i>)	2	24 Vdc / 0.5 A	3 wires	source
TM5SDO4T (<i>see page 118</i>)	4	24 Vdc / 0.5 A	3 wires	source
TM5SDO4TA (<i>see page 126</i>)	4	24 Vdc / 2 A	3 wires	source
TM5SDO6T (<i>see page 134</i>)	6	24 Vdc / 0.5 A	2 wires	source
TM5SDO8TA (<i>see page 142</i>)	8	24 Vdc / 2 A	1 wire	source
TM5SDO12T (<i>see page 152</i>)	12	24 Vdc / 0.5 A	1 wire	source
TM5SDO16T (<i>see page 160</i>)	16	24 Vdc / 0.5 A	1 wire	source
TM5SDO2R (<i>see page 170</i>)	2	30 Vdc / 230 Vac 5 A C/O	2 change over contacts relays	NA
TM5SDO4R (<i>see page 178</i>)	4	30 Vdc / 230 Vac 5 A N/O	4 normally open contacts relays	NA
TM5SDO2S (<i>see page 186</i>)	2	240 Vac / 1 A	3 wires	source

Digital Mixed Electronic Modules Features

Digital inputs convert the electronic input signal into a binary value in the controller. Digital outputs convert the binary value in the controller into an electronic output signal. Mixed electronic modules combine both digital inputs and outputs into a single electronic module. The following table shows the mixed input/output electronic modules features with corresponding channel type and voltage/current:

Reference	Number of Channels	Voltage/current	Wiring	Signal type
TM5SDM8DTS <i>(see page 195)</i>	4 inputs 4 outputs	24 Vdc / 1.3 mA 24 Vdc / 0.1 A	1 wire	sink source
TM5SDM12DT <i>(see page 206)</i>	8 inputs 4 outputs	24 Vdc / 3.75 mA 24 Vdc / 0.5 A	1 wire	sink source
TM5SMM6D2L <i>(see page 215)</i>	4 digital inputs	24 Vdc / 3.3 mA	1 wire	sink
	2 digital outputs	24 Vdc / 0.5 A	1 wire	source
	1 analog input	-10...+10 Vdc 0...20 mA/4...20 mA	–	–
	1 analog input	-10...+10 Vdc 0...20 mA	–	–

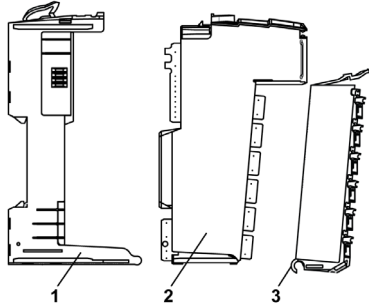
Physical Description

Introduction

Each slice consists of three elements. These elements are the bus base, the electronic module and the terminal block.

Elements

The following illustration shows the elements of a slice.



- 1 Bus base
- 2 Electronic module
- 3 Terminal block

When assembled the three components form an integral unit that resists vibration and electrostatic discharge.

NOTICE

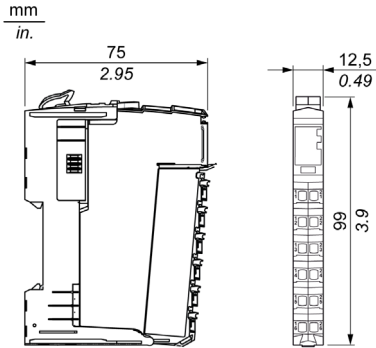
ELECTROSTATIC DISCHARGE

- Never touch the contacts of the electronic module.
- Always keep the connector in place during normal operation.

Failure to follow these instructions can result in equipment damage.

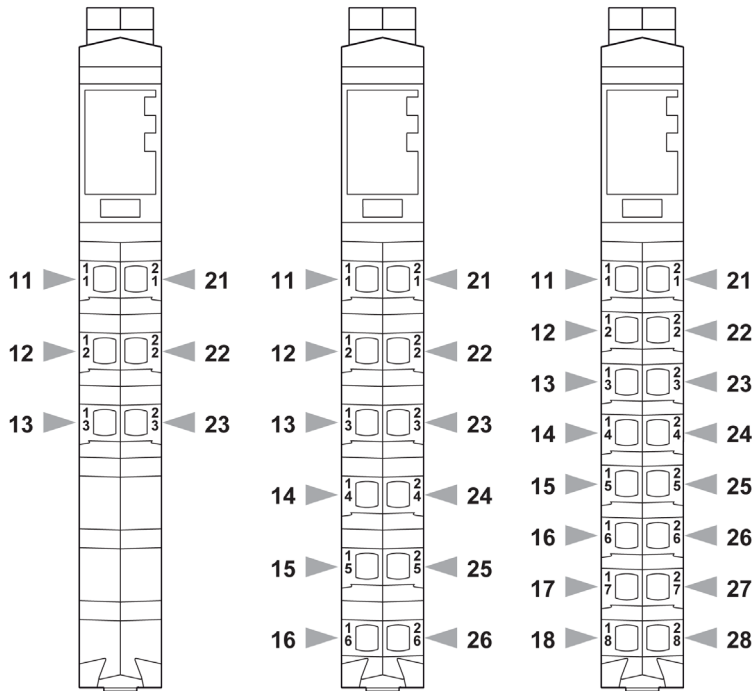
Dimensions

The following illustration shows the dimensions of a slice:



Pin Assignment

The following illustration shows the pin assignments respectively for the 6-pin, 12-pin and the 16-pin terminal blocks:



Accessories

Refer to the *Installation of Accessories*.

Labeling

Refer to the *Labeling the TM5 System*.

Part II

TM5 System Digital Input Electronic Modules

What Is in This Part?

This part contains the following chapters:

Chapter	Chapter Name	Page
3	TM5SDI2D Electronic Module 2DI 24 Vdc Sink 3 Wires	45
4	TM5SDI4D Electronic Module 4DI 24 Vdc Sink 3 Wires	51
5	TM5SDI6D Electronic Module 6DI 24 Vdc Sink 2 Wires	57
6	TM5SDI12D Electronic Module 12DI 24 Vdc Sink 1 Wire	65
7	TM5SDI16D Electronic Module 16DI 24 Vdc Sink 1 Wire	73
8	TM5SDI2DF Electronic Module 2DI 24 Vdc Sink 3 Wires	81
9	TM5SDI2A Electronic Module 2DI 100...240 Vac 50/60 Hz 3 Wires	89
10	TM5SDI4A Electronic Module 4DI 100...240 Vac 50/60 Hz 2 Wires	95
11	TM5SDI6U Electronic Module 6DI 100...120 Vac 50/60 Hz 1 Wire	101

Chapter 3

TM5SDI2D Electronic Module 2DI 24 Vdc Sink 3 Wires

What Is in This Chapter?

This chapter contains the following topics:

Topic	Page
TM5SDI2D Presentation	46
TM5SDI2D Characteristics	48
TM5SDI2D Wiring Diagram	50

TM5SDI2D Presentation

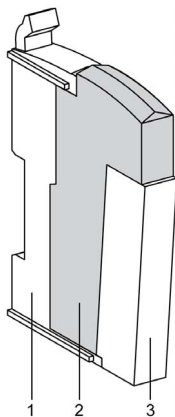
Main Characteristics

The table below describes the main characteristics of the TM5SDI2D electronic module:

Main Characteristics	
Number of input channels	2
Input type	Type 1
Signal type	Sink
Rated input voltage	24 Vdc

Ordering Information

The illustration below shows the TM5SDI2D:



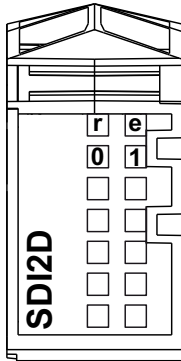
The table below shows the model numbers for the terminal blocks and the bus bases associated with the TM5SDI2D:

Number	Model Number	Description	Color
1	TM5ACBM11	Bus base	White
	or TM5ACBM15	Bus base with address setting	White
2	TM5SDI2D	Electronic module	White
3	TM5ACTB06	Terminal block, 6 pins	White
	or TM5ACTB12	Terminal block, 12 pins	White

NOTE: For more information, refer to *TM5 bus bases and terminal blocks*.

Status LEDs

This illustration shows the TM5SDI2D status LEDs:



The table below shows the TM5SDI2D status LEDs:

LED	Color	Status	Description
r	Green	Off	No power supply
		Single flash	Reset state
		Flashing	Preoperational state
		On	Normal operation
e	Red	Off	OK or no power supply
e+r	Steady red/single green flash		Invalid firmware
0 - 1	Green	Off	Corresponding input deactivated
		On	Corresponding input activated

TM5SDI2D Characteristics

Introduction

This is the description characteristics for the TM5SDI2D electronic module. See also Environmental Characteristics (*see page 27*).

DANGER

FIRE HAZARD

Use only the correct wire sizes for the maximum current capacity of the I/O channels and power supplies.

Failure to follow these instructions will result in death or serious injury.

WARNING

UNINTENDED EQUIPMENT OPERATION

Do not exceed any of the rated values specified in the environmental and electrical characteristics tables.

Failure to follow these instructions can result in death, serious injury, or equipment damage.

General Characteristics

The table below describes the general characteristics of the TM5SDI2D electronic module:

General Characteristics	
Rated power supply voltage	24 Vdc
Power supply source	Connected to the 24 Vdc I/O power segment
Power supply range	20.4...28.8 Vdc
24 Vdc I/O segment current draw	12 mA (all inputs On)
TM5 Bus 5 Vdc current draw	24 mA
Power dissipation	0.41 W max.
Weight	25 g (0.9 oz)
ID code for firmware update	7053 dec

Input Characteristics

The table describes the input characteristics of the TM5SDI2D electronic module:

Input Characteristics		
Number of input channels		2
Wiring type		1, 2 or 3 wires
Rated input voltage		24 Vdc
Input voltage range		20.4...28.8 Vdc
Rated input current at 24 Vdc		3.75 mA
Input impedance		6.4 kΩ
OFF state		5 Vdc max.
ON state		15 Vdc min.
Input filter	Hardware	≤100 μs
	Software	Default 1 ms, can be configured between 0 and 25 ms in 0.2 ms intervals.
Isolation	Between input and internal bus	See note ¹ .
	Between channels	Not isolated

¹ The isolation of the electronic module is 500 Vac RMS between the electronics powered by the TM5 bus and those powered by 24 Vdc I/O power segment connected to the module. In practice, the TM5 electronic module is installed in the bus base, and there is a bridge between the TM5 power bus and the 24 Vdc I/O power segment. The two power circuits reference the same functional ground (FE) through specific components designed to reduce effects of electromagnetic interference. These components are rated at 30 Vdc or 60 Vdc. This effectively reduces isolation of the entire system from the 500 Vac RMS.

Sensor Supply

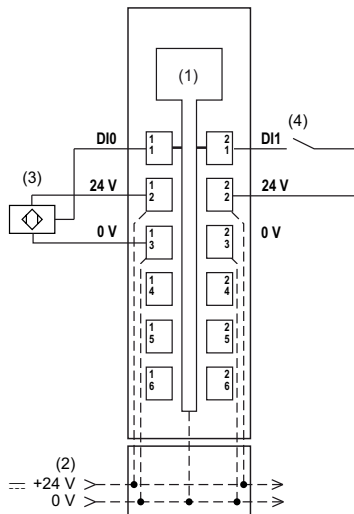
The table describes the sensor supply of the TM5SDI2D electronic module:

Supply	
Voltage	Power segment supply less voltage drop for internal protection.
Voltage drop for internal protection at 500 mA	2 Vdc max
Sensor supply current (for all powered connected sensors)	500 mA
Internal protection	Overload and short-circuit

TM5SDI2D Wiring Diagram

Wiring Diagram

The following illustration shows the wiring diagram for the TM5SDI2D:



- 1 Internal electronics
- 2 24 Vdc I/O power segment integrated into the bus bases
- 3 3-wire sensor
- 4 2-wire sensor

⚠ WARNING

UNINTENDED EQUIPMENT OPERATION

Do not connect wires to unused terminals and/or terminals indicated as “No Connection (N.C.)”.
Failure to follow these instructions can result in death, serious injury, or equipment damage.

⚠ WARNING

UNINTENDED EQUIPMENT OPERATION

Use the sensor and actuator power supply only for supplying power to sensors or actuators connected to the module.

Failure to follow these instructions can result in death, serious injury, or equipment damage.

Chapter 4

TM5SDI4D Electronic Module 4DI 24 Vdc Sink 3 Wires

What Is in This Chapter?

This chapter contains the following topics:

Topic	Page
TM5SDI4D Presentation	52
TM5SDI4D Characteristics	54
TM5SDI4D Wiring Diagram	56

TM5SDI4D Presentation

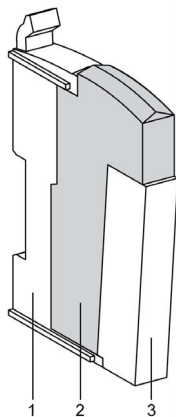
Main Characteristics

The table below describes the main characteristics of the TM5SDI4D electronic module:

Main Characteristics	
Number of input channels	4
Input type	Type 1
Signal type	Sink
Rated input voltage	24 Vdc

Ordering Information

The following illustration shows the TM5SDI4D:



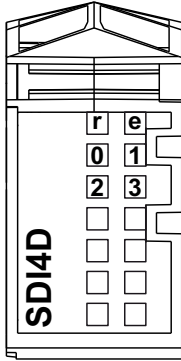
The table below shows the model numbers for the terminal blocks and the bus bases associated with the TM5SDI4D:

Number	Model Number	Description	Color
1	TM5ACBM11	Bus base	White
	or TM5ACBM15	Bus base with address setting	White
2	TM5SDI4D	Electronic Module	White
3	TM5ACTB06	Terminal block, 6 pins	White
	or TM5ACTB12	Terminal block, 12 pins	White

NOTE: For more information, refer to *TM5 bus bases and terminal blocks (see Modicon TM5 / TM7 Flexible System, System Planning and Installation Guide)*.

Status LEDs

The following illustration shows the LEDs for TM5SDI4D:



The table below shows the TM5SDI4D status LEDs:

LEDs	Color	Status	Description
r	Green	Off	No power supply
		Single Flash	Reset state
		Flashing	Preoperational state
		On	Normal operation
e	Red	Off	OK or no power supply
e+r	Steady red / single green flash		Invalid firmware
0 - 3	Green	Off	Corresponding input deactivated
		On	Corresponding input activated

TM5SDI4D Characteristics

Introduction

This is the description characteristics for the TM5SDI4D electronic module. See also Environmental Characteristics (*see page 27*).

DANGER

FIRE HAZARD

Use only the correct wire sizes for the maximum current capacity of the I/O channels and power supplies.

Failure to follow these instructions will result in death or serious injury.

WARNING

UNINTENDED EQUIPMENT OPERATION

Do not exceed any of the rated values specified in the environmental and electrical characteristics tables.

Failure to follow these instructions can result in death, serious injury, or equipment damage.

General Characteristics

The table below describes the general characteristics of the TM5SDI4D electronic module:

General Characteristics	
Rated power supply voltage	24 Vdc
Power supply source	Connected to the 24 Vdc I/O power segment
Power supply range	20.4...28.8 Vdc
24 Vdc I/O segment current draw	25 mA (all inputs On)
TM5 Bus 5 Vdc current draw	28 mA
Power dissipation	0.73 W max.
Weight	25 g (0.9 oz)
ID code for firmware update	7058 dec

Input Characteristics

The table describes the input characteristics of the TM5SDI4D electronic module:

Input Characteristics		
Number of input channels		4
Wiring type		1, 2 or 3 wires
Rated input voltage		24 Vdc
Input voltage range		20.4...28.8 Vdc
Rated input current at 24 Vdc		3.75 mA
Input impedance		6.4 k Ω
OFF state		5 Vdc max.
ON state		15 Vdc min.
Input filter	Hardware	$\leq 100 \mu\text{s}$
	Software	Default 1 ms, can be configured between 0 and 25 ms in 0.2 ms intervals.
Isolation	Between input and internal bus	See note ¹
	Between channels	Not isolated

¹ The isolation of the electronic module is 500 Vac RMS between the electronics powered by the TM5 bus and those powered by 24 Vdc I/O power segment connected to the module. In practice, the TM5 electronic module is installed in the bus base, and there is a bridge between the TM5 power bus and the 24 Vdc I/O power segment. The two power circuits reference the same functional ground (FE) through specific components designed to reduce effects of electromagnetic interference. These components are rated at 30 Vdc or 60 Vdc. This effectively reduces isolation of the entire system from the 500 Vac RMS.

Sensor Supply

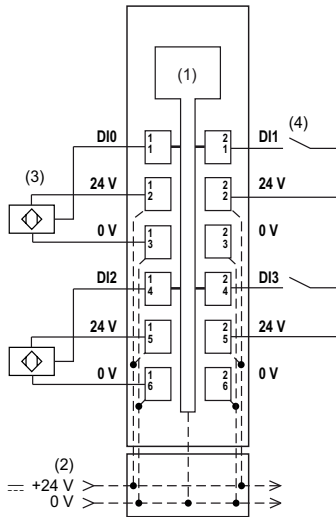
The table describes the sensor supply of the TM5SDI4D electronic module:

Supply	
Voltage	Power segment supply less voltage drop for internal protection.
Voltage drop for internal protection at 500 mA	2 Vdc max
Sensor supply current (for all powered connected sensors)	500 mA
Internal protection	Overload and short circuit

TM5SDI4D Wiring Diagram

Wiring Diagram

The following illustration shows the wiring diagram for the TM5SDI4D:



- 1 Internal electronics
- 2 24 Vdc I/O power segment integrated into the bus bases
- 3 3-wire sensor
- 4 2-wire sensor

⚠ WARNING

UNINTENDED EQUIPMENT OPERATION

Do not connect wires to unused terminals and/or terminals indicated as “No Connection (N.C.)”.

Failure to follow these instructions can result in death, serious injury, or equipment damage.

⚠ WARNING

UNINTENDED EQUIPMENT OPERATION

Use the sensor and actuator power supply only for supplying power to sensors or actuators connected to the module.

Failure to follow these instructions can result in death, serious injury, or equipment damage.

Chapter 5

TM5SDI6D Electronic Module 6DI 24 Vdc Sink 2 Wires

What Is in This Chapter?

This chapter contains the following topics:

Topic	Page
TM5SDI6D Presentation	58
TM5SDI6D Characteristics	60
TM5SDI6D Wiring Diagram	62

TM5SDI6D Presentation

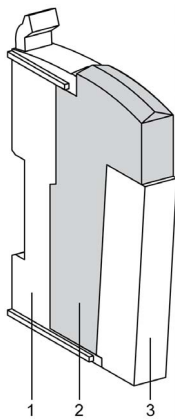
Main Characteristics

The table below describes the main characteristics of the TM5SDI6D electronic module:

Main Characteristics	
Number of input channels	6
Input type	Type 1
Signal type	Sink
Rated input voltage	24 Vdc

Ordering Information

The following illustration shows the TM5SDI6D:



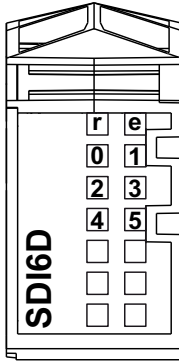
The table below shows the model numbers for the terminal blocks and the bus bases associated with the TM5SDI6D:

Number	Model Number	Description	Color
1	TM5ACBM11	Bus base	White
	or TM5ACBM15	Bus base with address setting	White
2	TM5SDI6D	Electronic module	White
3	TM5ACTB06	Terminal block, 6 pins	White
	or TM5ACTB12	Terminal block, 12 pins	White

NOTE: For more information, refer to *TM5 bus bases and terminal blocks*.

Status LEDs

The following illustration shows the LEDs for TM5SDI6D:



The table below shows the TM5SDI6D status LEDs:

LEDs	Color	Status	Description
r	Green	Off	No power supply
		Single Flash	Reset state
		Flashing	Preoperational state
		On	Normal operation
e	Red	Off	OK or no power supply
e+r	Steady red / single green flash		Invalid firmware
0 - 5	Green	Off	Corresponding input deactivated
		On	Corresponding input activated

TM5SDI6D Characteristics

Introduction

This is the description characteristics for the TM5SDI6D electronic module. See also Environmental Characteristics (*see page 27*).

DANGER

FIRE HAZARD

Use only the correct wire sizes for the maximum current capacity of the I/O channels and power supplies.

Failure to follow these instructions will result in death or serious injury.

WARNING

UNINTENDED EQUIPMENT OPERATION

Do not exceed any of the rated values specified in the environmental and electrical characteristics tables.

Failure to follow these instructions can result in death, serious injury, or equipment damage.

General Characteristics

The table below describes the general characteristics of the TM5SDI6D electronic module:

General Characteristics	
Rated power supply voltage	24 Vdc
Power supply source	Connected to the 24 Vdc I/O power segment
Power supply range	20.4...28.8 Vdc
24 Vdc I/O segment current draw	37 mA (all inputs On)
TM5 Bus 5 Vdc current draw	30 mA
Power dissipation	1.03 W max.
Weight	25 g (0.9 oz)
ID code for firmware update	7059 dec

Input Characteristics

The table describes the input characteristics of the TM5SDI2D electronic module:

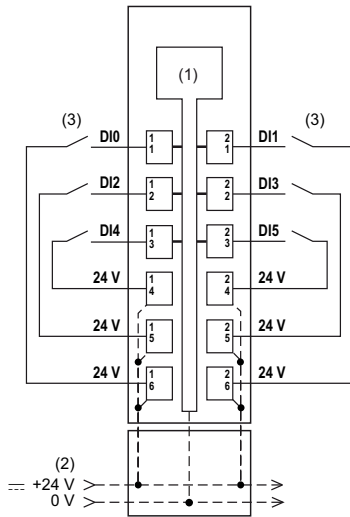
Input Characteristics		
Number of input channels		6
Wiring type		1 or 2 wires
Rated input voltage		24 Vdc
Input voltage range		20.4...28.8 Vdc
Rated input current at 24 Vdc		3.75 mA
Input impedance		6.4 kΩ
OFF state		5 Vdc max.
ON state		15 Vdc min.
Input filter	Hardware	≤100 μs
	Software	Default 1 ms, can be configured between 0 and 25 ms in 0.2 ms intervals.
Isolation	Between input and internal bus	See note ¹
	Between channels	Not isolated

¹ The isolation of the electronic module is 500 Vac RMS between the electronics powered by the TM5 bus and those powered by 24 Vdc I/O power segment connected to the module. In practice, the TM5 electronic module is installed in the bus base, and there is a bridge between the TM5 power bus and the 24 Vdc I/O power segment. The two power circuits reference the same functional ground (FE) through specific components designed to reduce effects of electromagnetic interference. These components are rated at 30 Vdc or 60 Vdc. This effectively reduces isolation of the entire system from the 500 Vac RMS.

TM5SDI6D Wiring Diagram

Wiring Diagram

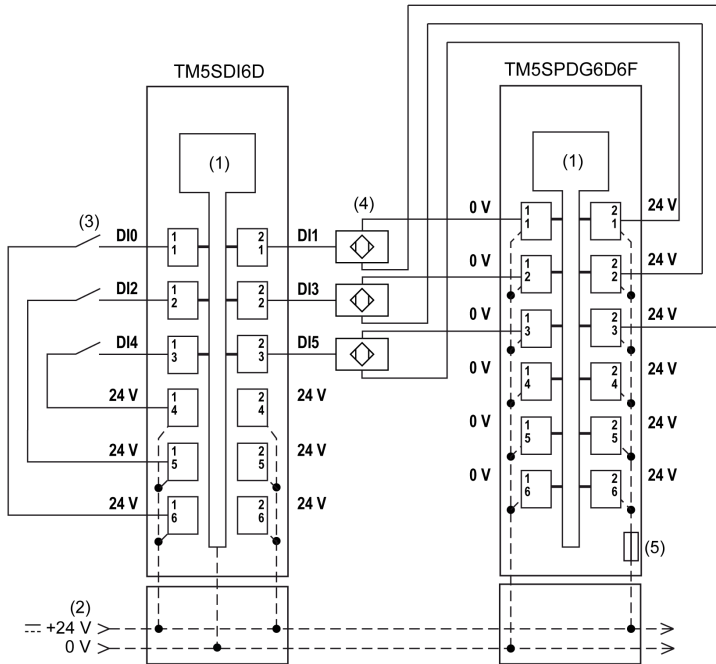
The following illustration shows the wiring diagram for the TM5SDI6D:



- 1 Internal electronics
- 2 24 Vdc I/O power segment integrated into the bus bases
- 3 2-wire sensor

The 6-input TM5SDI6D electronic module can independently support 2-wire devices. To connect 3-wire electronic sensors, you can add a TM5SPDG6D6F Common Distribution module.

The following illustration shows the wiring diagram for the TM5SPDG6D6F and a TM5SDI6D:



- 1 Internal electronics
- 2 24 Vdc I/O power segment integrated into the bus bases
- 3 2-wire sensor
- 4 3-wire sensor
- 5 Integrated fuse type T slow-blow 6.3 A 250 V exchangeable

⚠ WARNING

UNINTENDED EQUIPMENT OPERATION

Do not connect wires to unused terminals and/or terminals indicated as “No Connection (N.C.)”.

Failure to follow these instructions can result in death, serious injury, or equipment damage.

Chapter 6

TM5SDI12D Electronic Module 12DI 24 Vdc Sink 1 Wire

What Is in This Chapter?

This chapter contains the following topics:

Topic	Page
TM5SDI12D Presentation	66
TM5SDI12D Characteristics	68
TM5SDI12D Wiring Diagram	70

TM5SDI12D Presentation

Main Characteristics

The table below describes the main characteristics of the TM5SDI12D electronic module:

Main Characteristics	
Number of input channels	12
Input type	Type 1
Signal type	Sink
Rated input voltage	24 Vdc

Ordering Information

The following illustration shows the TM5SDI12D:



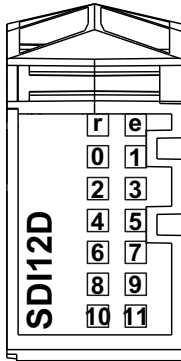
The table below shows the model numbers for the terminal block and the bus bases associated with the TM5SDI12D:

Number	Model Number	Description	Color
1	TM5ACBM11 or TM5ACBM15	Bus base Bus base with address setting	White
2	TM5 SDI12D	Electronic Module	White
3	TM5ACTB12	Terminal block, 12 pins	White

NOTE: For more information, refer to *TM5 bus bases and terminal blocks*.

Status LEDs

The following illustration shows the LEDs for TM5SDI12D:



The table below shows the TM5SDI12D status LEDs:

LEDs	Color	Status	Description
r	Green	Off	No power supply
		Single Flash	Reset state
		Flashing	Preoperational state
		On	Normal operation
e	Red	Off	OK or no power supply
e+r	Steady red / single green flash		Invalid firmware
0 - 11	Green	Off	Corresponding input deactivated
		On	Corresponding input activated

TM5SDI12D Characteristics

Introduction

This is the description characteristics for the TM5SDI12D electronic module. See also Environmental Characteristics (*see page 27*).

DANGER

FIRE HAZARD

Use only the correct wire sizes for the maximum current capacity of the I/O channels and power supplies.

Failure to follow these instructions will result in death or serious injury.

WARNING

UNINTENDED EQUIPMENT OPERATION

Do not exceed any of the rated values specified in the environmental and electrical characteristics tables.

Failure to follow these instructions can result in death, serious injury, or equipment damage.

General characteristics

The table below describes the general characteristics of the TM5SDI12D electronic module:

General Characteristics	
Rated power supply voltage	24 Vdc
Power supply source	Connected to the 24 Vdc I/O power segment
Power supply range	20.4...28.8 Vdc
24 Vdc I/O segment current draw	73 mA (all inputs On)
TM5 Bus 5 Vdc current draw	36 mA
Power dissipation	1.93 W max.
Weight	25 g (0.9 oz)
ID code for firmware update	7061 dec

Input Characteristics

The table describes the input characteristics of the TM5SDI12D electronic module:

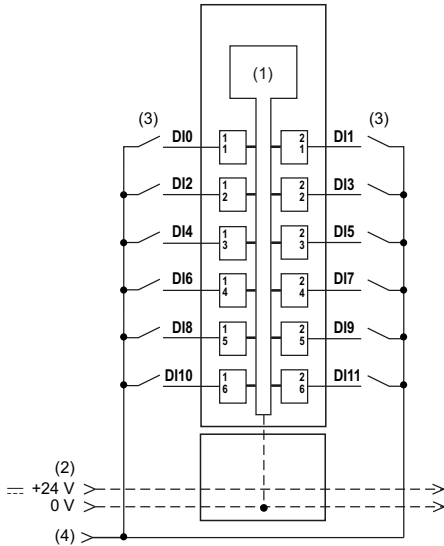
Input Characteristics		
Number of input channels		12
Wiring type		1 wire
Rated input voltage		24 Vdc
Input voltage range		20.4...28.8 Vdc
De-rating	55...60 °C (131...140 °F)	11 channels
Rated input current at 24 Vdc		3.75 mA
Input impedance		6.4 kΩ
OFF state		5 Vdc max.
ON state		15 Vdc min.
Input filter	Hardware	≤100 μs
	Software	Default 1 ms, can be configured between 0 and 25 ms in 0.2 ms intervals.
Isolation	Between input and internal bus	See note ¹
	Between channels	Not isolated

¹ The isolation of the electronic module is 500 Vac RMS between the electronics powered by the TM5 bus and those powered by 24 Vdc I/O power segment connected to the module. In practice, the TM5 electronic module is installed in the bus base, and there is a bridge between the TM5 power bus and the 24 Vdc I/O power segment. The two power circuits reference the same functional ground (FE) through specific components designed to reduce effects of electromagnetic interference. These components are rated at 30 Vdc or 60 Vdc. This effectively reduces isolation of the entire system from the 500 Vac RMS.

TM5SDI12D Wiring Diagram

Wiring Diagram

The following illustration shows the wiring diagram for the TM5SDI12D:



- 1 Internal electronics
- 2 24 Vdc I/O power segment integrated into the bus bases
- 3 2 wire-sensor
- 4 24 Vdc I/O power segment by external connection

NOTE: I/O electronic modules and the field devices connected to them must all reside on the same 24 Vdc I/O power segment. If not, the status LEDs may not function correctly. In addition, there may potentially be more significant consequences such as an explosion and/or fire hazard.

⚠ WARNING

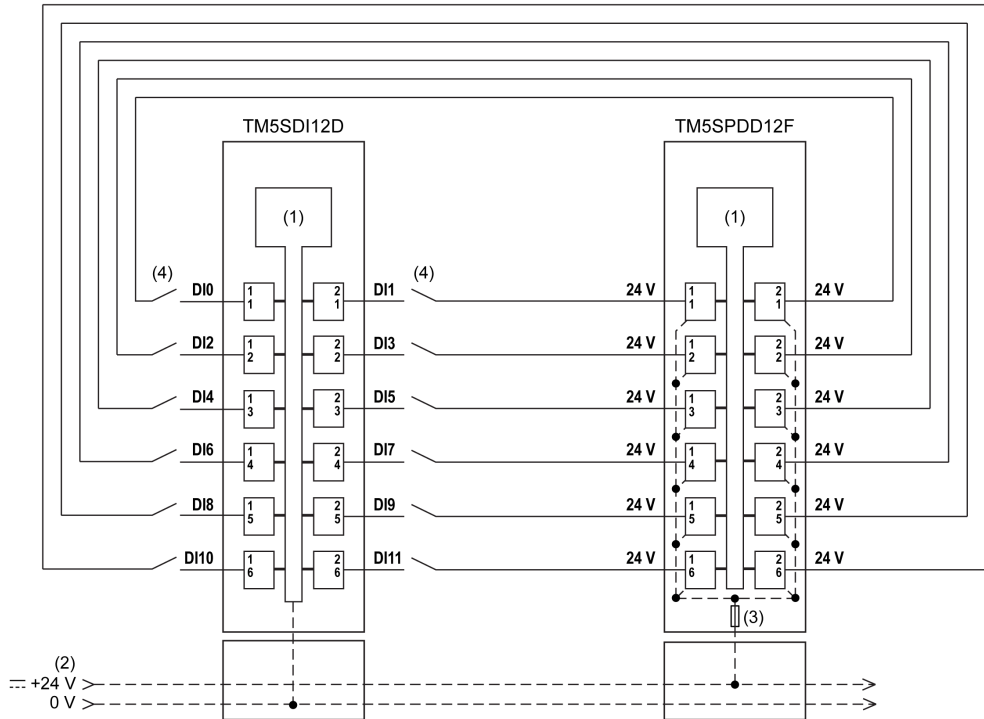
POTENTIAL EXPLOSION OR FIRE

Connect the returns from the devices to the same power source as the 24 Vdc I/O power segment serving the module.

Failure to follow these instructions can result in death, serious injury, or equipment damage.

The 12-input TM5SDI12D electronic module can independently support 1-wire devices. To connect 2-wire devices, you can add a TM5SPDD12F Common Distribution module.

The following illustration shows the wiring diagram for the TM5SPDD12F and a TM5SDI12D:



- 1 Internal electronics
- 2 24 Vdc I/O power segment integrated into the bus bases
- 3 Integrated fuse type T slow-blow 6.3 A 250 V exchangeable
- 4 2 wire-sensor

⚠ WARNING

UNINTENDED EQUIPMENT OPERATION

Do not connect wires to unused terminals and/or terminals indicated as “No Connection (N.C.)”.

Failure to follow these instructions can result in death, serious injury, or equipment damage.

Chapter 7

TM5SDI16D Electronic Module 16DI 24 Vdc Sink 1 Wire

What Is in This Chapter?

This chapter contains the following topics:

Topic	Page
TM5SDI16D Presentation	74
TM5SDI16D Characteristics	76
TM5SDI16D Wiring Diagram	79

TM5SDI16D Presentation

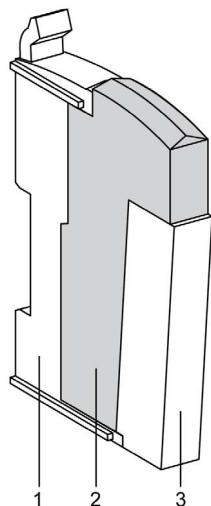
Main Characteristics

The table below describes the main characteristics of the TM5SDI16D electronic module:

Main Characteristics	
Number of input channels	16
Input type	Type 1
Signal type	Sink
Rated input voltage	24 Vdc

Ordering Information

The following illustration shows the TM5SDI16D:



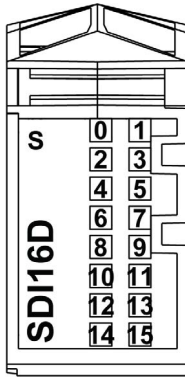
The table below shows the model numbers for the terminal block and the bus base associated with the TM5SDI16D:

Number	Model Number	Description	Color
1	TM5ACBM11	Bus base	White
2	TM5SDI16D	Electronic Module	White
3	TM5ACTB16	Terminal block, 16 pins	White

NOTE: For more information, refer to *TM5 bus bases and terminal blocks*.

Status LEDs

The following illustration shows the LEDs for TM5SDI16D:



The table below shows the TM5SDI16D status LEDs:

LEDs	Color	Status	Description
s	Green	Off	No power supply
		Single Flash	Reset state
		Flashing	Preoperational state
		On	Normal operation
	Red	Off	OK or no power supply
		Steady red / single green flash	Invalid firmware
0 - 15	Green	Off	Corresponding input deactivated
		On	Corresponding input activated

TM5SDI16D Characteristics

Introduction

This is the description characteristics for the TM5SDI16D electronic module. See also Environmental Characteristics (*see page 27*).

DANGER

FIRE HAZARD

Use only the correct wire sizes for the maximum current capacity of the I/O channels and power supplies.

Failure to follow these instructions will result in death or serious injury.

WARNING

UNINTENDED EQUIPMENT OPERATION

Do not exceed any of the rated values specified in the environmental and electrical characteristics tables.

Failure to follow these instructions can result in death, serious injury, or equipment damage.

General Characteristics

The table below describes the general characteristics of the TM5SDI16D electronic module:

General Characteristics	
Rated power supply voltage	24 Vdc
Power supply source	Connected to the 24 Vdc I/O power segment
Power supply range	20.4...28.8 Vdc
24 Vdc I/O segment current draw	61 mA (all inputs On)
TM5 Bus 5 Vdc current draw	36 mA
Power dissipation	1.65 W max.
Weight	21 g (0.7 oz)
ID code	56838 dec

Input Characteristics

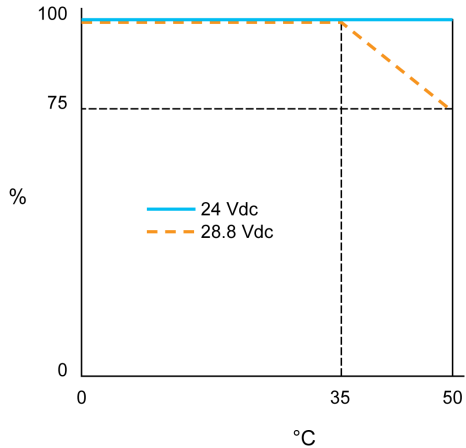
The table describes the input characteristics of the TM5SDI16D electronic module:

Input Characteristics		
Number of input channels		16
Wiring type		1 wire
Rated input voltage		24 Vdc
Input voltage range		20.4...28.8 Vdc
De-rating		See section De-rating (<i>see page 78</i>).
Rated input current at 24 Vdc		2.68 mA
Input impedance		8.9 k Ω
OFF state		5 Vdc max.
ON state		15 Vdc min.
Input filter	Hardware	$\leq 100 \mu\text{s}$
	Software	Default 1 ms, can be configured between 0 and 25 ms in 0.2 ms intervals.
Isolation	Between input and internal bus	See note ¹
	Between channels	Not isolated

¹ The isolation of the electronic module is 500 Vac RMS between the electronics powered by the TM5 bus and those powered by 24 Vdc I/O power segment connected to the module. In practice, the TM5 electronic module is installed in the bus base, and there is a bridge between the TM5 power bus and the 24 Vdc I/O power segment. The two power circuits reference the same functional ground (FE) through specific components designed to reduce effects of electromagnetic interference. These components are rated at 30 Vdc or 60 Vdc. This effectively reduces isolation of the entire system from the 500 Vac RMS.

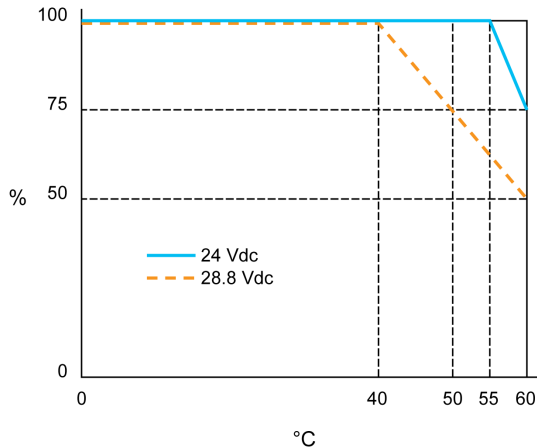
De-rating of the TM5SDI16D

The following illustration shows the de-rating of simultaneity factor at 24 Vdc and 28.8 Vdc input voltage in vertical installation:



% Simultaneity factor
 °C Ambient temperature

The following illustration shows the de-rating of simultaneity factor at 24 Vdc and 28.8 Vdc input voltage in horizontal installation:

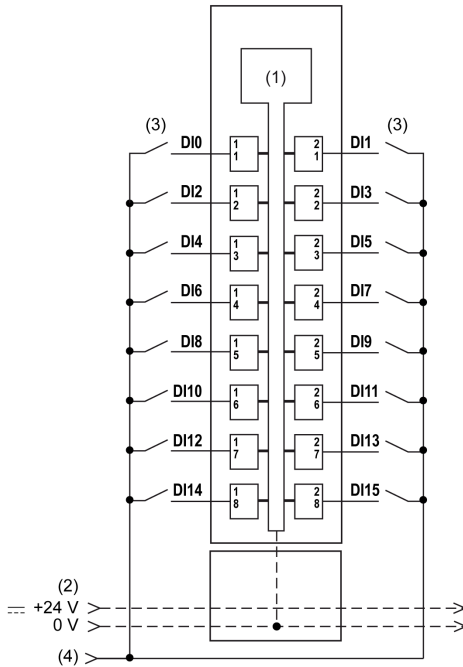


% Simultaneity factor
 °C Ambient temperature

TM5SDI16D Wiring Diagram

Wiring Diagram

The following illustration shows the wiring diagram for the TM5SDI16D:



- 1 Internal electronics
- 2 24 Vdc I/O power segment integrated into the bus bases
- 3 2 wire-sensor
- 4 24 Vdc I/O power segment by external connection

NOTE: I/O electronic modules and the field devices connected to them must all reside on the same 24 Vdc I/O power segment. If not, the status LEDs may not function correctly. In addition, there may potentially be more significant consequences such as an explosion and/or fire hazard.

 **WARNING**

POTENTIAL EXPLOSION OR FIRE

Connect the returns from the devices to the same power source as the 24 Vdc I/O power segment serving the module.

Failure to follow these instructions can result in death, serious injury, or equipment damage.

 **WARNING**

UNINTENDED EQUIPMENT OPERATION

Do not connect wires to unused terminals and/or terminals indicated as “No Connection (N.C.)”.

Failure to follow these instructions can result in death, serious injury, or equipment damage.

Chapter 8

TM5SDI2DF Electronic Module 2DI 24 Vdc Sink 3 Wires

What Is in This Chapter?

This chapter contains the following topics:

Topic	Page
TM5SDI2DF Presentation	82
TM5SDI2DF Characteristics	84
TM5SDI2DF Wiring Diagram	87

TM5SDI2DF Presentation

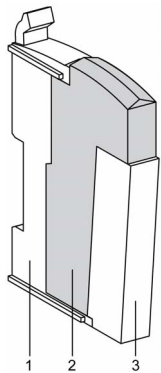
Main Characteristics

The table below describes the main characteristics of the TM5SDI2DF electronic module:

Main Characteristics	
Number of input channels	2
Input frequency	50 kHz max
Input function	Function event counter / gate measurement
Input type	Type 1
Signal type	Sink
Rated input voltage	24 Vdc

Ordering Information

The following illustration shows the slice with a TM5SDI2DF:



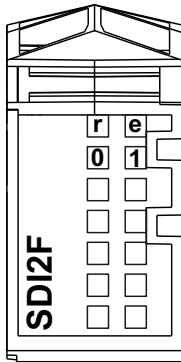
The table below shows the model numbers for the terminal block and bus base associated with the TM5SDI2DF:

Number	Model Number	Description	Color
1	TM5ACBM11	Bus base	White
	or TM5ACBM15	Bus base with address setting	White
2	TM5SDI2DF	Electronic module	White
3	TM5ACTB06	Terminal block, 6 pins	White
	or TM5ACTB12	Terminal block, 12 pins	White

NOTE: For more information, refer to *TM5 bus bases and terminal blocks*

Status LEDs

The following illustration shows the LEDs for TM5SDI2DF:



The table below shows the TM5SDI2DF status LEDs:

LEDs	Color	Status	Description
r	Green	Off	No power supply
		Single Flash	Reset state
		Flashing	Preoperational state
		On	Normal operation
e	Red	Off	OK or no power supply
e+r	Steady red / single green flash		Invalid firmware
0-1	Green	On	Input state of the corresponding digital input

TM5SDI2DF Characteristics

Introduction

This is the description characteristics for the TM5SDI2DF electronic module. See also Environmental Characteristics (*see page 27*).

WARNING

UNINTENDED EQUIPMENT OPERATION

Do not exceed any of the rated values specified in the environmental and electrical characteristics tables.

Failure to follow these instructions can result in death, serious injury, or equipment damage.

General Characteristics

The table below describes the general characteristics of the TM5SDI2DF electronic module:

General Characteristics	
Rated power supply voltage	24 Vdc
Power supply source	Connected to the 24 Vdc I/O power segment
Power supply range	20.4...28.8 Vdc
24 Vdc I/O power segment current draw	34 mA
TM5 power bus 5 Vdc current draw	30 mA
Power dissipation	0.97 W max.
Weight	25 g (0.9 oz)
ID code for firmware update	7054 dec.

Input Characteristics

The table below describes the input characteristics of the TM5SDI2DF electronic module:

Input Characteristics		
Number of input channels	2	
Wiring type	1, 2 or 3 wires	
Signal type	Sink	
Input frequency	50 KHz max	
Rated input voltage	24 Vdc	
Input voltage range	20.4...28.8 Vdc	
Rated input current at 24 Vdc	10.5 mA	
Input impedance	2.23 kΩ	
OFF state	5 Vdc min.	
ON state	15 Vdc max.	
Noise resistance - cable	Shielded cable is necessary	
Input filter	Hardware	≤10 μs
	Software	0...25 ms in 0.2 ms intervals.
Isolation between input and internal bus	See note ¹ .	
Isolation between channels	Not isolated	

¹ The isolation of the electronic module is 500 Vac RMS between the electronics powered by the TM5 bus and those powered by 24 Vdc I/O power segment connected to the module. In practice, the TM5 electronic module is installed in the bus base, and there is a bridge between the TM5 power bus and the 24 Vdc I/O power segment. The two power circuits reference the same functional ground (FE) through specific components designed to reduce effects of electromagnetic interference. These components are rated at 30 Vdc or 60 Vdc. This effectively reduces isolation of the entire system from the 500 Vac RMS.

Sensor Supply

The table describes the sensor supply of the TM5SDI2DF electronic module:

Sensor Supply	
Voltage	Power segment supply less voltage drop for internal protection
Voltage drop for internal protection at 500 mA	2 Vdc max.
Sensor supply current (for all powered connected sensors)	500 mA
Internal protection	Overload and short circuit

Event Counter

The table describes the event counter of the TM5SDI2DF electronic module:

Event Counter	
Number of counters	2
Counter 1	Input 1
Counter 2	Input 2
Signal form	Square wave pulse
Input frequency	50 KHz max
Counter frequency	50 KHz max
Counter size	16 bit
Evaluation	Every positive edge, cyclic counter

Gate measurement

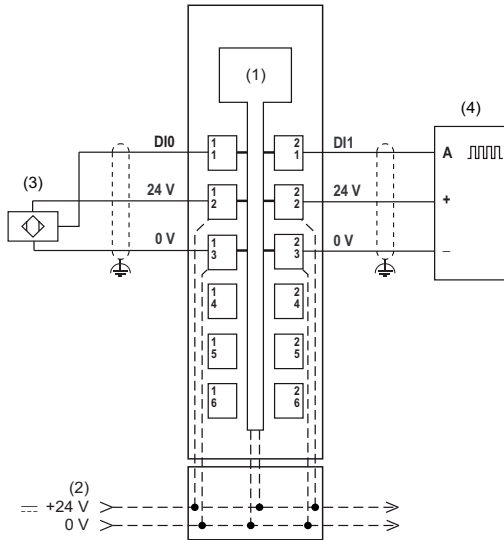
The table describes the gate measurement of the TM5SDI2DF electronic module:

Gate measurement	
Number of gate measurements	1
Gate measurement using	Input 1 or Input 2
Signal form	Square wave pulse
Evaluation	Positive edge - Negative edge
Pulse length	$\geq 20 \mu\text{s}$
Length of pauses between pulses	$\geq 100 \mu\text{s}$
Internal clock frequency	48 MHz, 24 MHz, 12 MHz, 6 MHz, 3 MHz, 1.5 MHz, 750 KHz, 375 KHz, 187.5 KHz
Counter size	16 bit

TM5SDI2DF Wiring Diagram

Wiring Diagram

The following illustration shows the wiring diagram for TM5SDI2DF:



- 1 Internal electronics
- 2 24 Vdc I/O power segment integrated into bus base
- 3 3-wire sensor
- 4 Counting module

⚠ WARNING

UNINTENDED EQUIPMENT OPERATION

Use the sensor and actuator power supply only for supplying power to sensors or actuators connected to the module.

Failure to follow these instructions can result in death, serious injury, or equipment damage.

Use shielded, properly grounded cables for all analog and high-speed inputs or outputs and communication connections. If you do not use shielded cable for these connections, electromagnetic interference can cause signal degradation. Degraded signals can cause the controller or attached modules and equipment to perform in an unintended manner.

 **WARNING**

UNINTENDED EQUIPMENT OPERATION

- Use shielded cables for all fast I/O, analog I/O and communication signals.
- Ground cable shields for all analog I/O, fast I/O and communication signals at a single point¹.
- Route communication and I/O cables separately from power cables.

Failure to follow these instructions can result in death, serious injury, or equipment damage.

¹Multipoint grounding is permissible if connections are made to an equipotential ground plane dimensioned to help avoid cable shield damage in the event of power system short-circuit currents.

 **WARNING**

UNINTENDED EQUIPMENT OPERATION

Do not connect wires to unused terminals and/or terminals indicated as “No Connection (N.C.)”.

Failure to follow these instructions can result in death, serious injury, or equipment damage.

Chapter 9

TM5SDI2A Electronic Module 2DI 100...240 Vac 50/60 Hz 3 Wires

What Is in This Chapter?

This chapter contains the following topics:

Topic	Page
TM5SDI2A Presentation	90
TM5SDI2A Characteristics	92
TM5SDI2A Wiring Diagram	94

TM5SDI2A Presentation

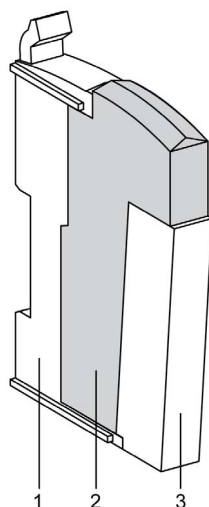
Main Characteristics

The table below describes the main characteristics of the TM5SDI2A electronic module:

Main Characteristics	
Number of input channels	2
Input type	Type 1
Rated input voltage	100 ... 240 Vac

Ordering Information

The following illustration shows the TM5SDI2A:



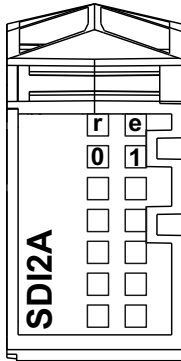
The table below shows the model numbers for the terminal block and the bus base associated with the TM5SDI2A:

Number	Model Number	Description	Color
1	TM5ACBM12	Bus base	Black
2	TM5SDI2A	Electronic Module	Black
3	TM5ACTB32	Terminal block, 12 pins	Black

NOTE: For more information, refer to *TM5 bus bases and terminal blocks*.

Status LEDs

The following illustration shows the LEDs for TM5SDI2A:



The table below shows the TM5SDI2A status LEDs:

LEDs	Color	Status	Description
r	Green	Off	No power supply
		Single Flash	Reset state
		Flashing	Preoperational state
		On	Normal operation
e	Red	Off	OK or no power supply
		Double Flash	I/O supply too low
e+r	Steady red / single green flash		Invalid firmware
0 - 1	Green	Off	Corresponding input deactivated
		On	Corresponding input activated

TM5SDI2A Characteristics

Introduction

This is the description characteristics for the TM5SDI2A electronic module. See also Environmental Characteristics (*see page 27*).

DANGER

FIRE HAZARD

Use only the correct wire sizes for the maximum current capacity of the I/O channels and power supplies.

Failure to follow these instructions will result in death or serious injury.

WARNING

UNINTENDED EQUIPMENT OPERATION

Do not exceed any of the rated values specified in the environmental and electrical characteristics tables.

Failure to follow these instructions can result in death, serious injury, or equipment damage.

General Characteristics

The table below describes the general characteristics of the TM5SDI2A electronic module:

General Characteristics	
Rated power supply voltage	100...240 Vac
Power supply source	Connected to an external AC power
Power supply range	100...240 Vac
24 Vdc I/O segment current draw	0 mA (N.C.)
TM5 Bus 5 Vdc current draw	28 mA
Power dissipation	0.69 W max.
Weight	25 g (0.9 oz)
ID code for firmware update	9540 dec

Input Characteristics

The table describes the input characteristics of the TM5SDI2A electronic module:

Input Characteristics		
Number of input channels		2
Wiring type		1, 2 or 3 wires
Rated input voltage		240 Vac
Input voltage range		100...240 Vac
Rated input current at 100 Vac		5 mA
Rated input current at 240 Vac		11 mA
Input filter	Hardware	0 ->1: ≤40 ms 1 ->0: ≤30 ms
	Software	Default 1 ms, can be configured between 0 and 25 ms in 0.2 ms intervals.
Isolation	Between channels and bus	1 minute 2500 Vac
	Between channels	Not isolated

Sensor Supply

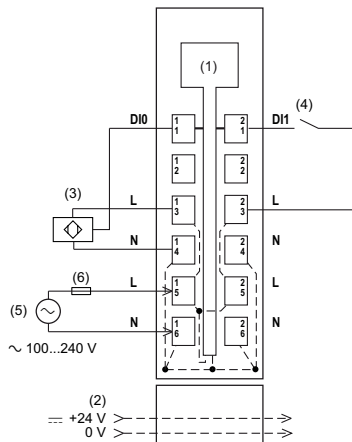
The table describes the sensor supply of the TM5SDI2A electronic module:

Supply	
Voltage	Electronic module supply minus voltage drop for short circuit protection
Voltage drop for internal protection at 500 mA	2 Vdc max.
Sensor supply current (for all powered connected sensors)	500 Vac max., can be configured by software between 0 and 500 mA
Short circuit protection	Yes

TM5SDI2A Wiring Diagram

Wiring Diagram

The following illustration shows the wiring diagram for the TM5SDI2A:



- 1 Internal electronics
- 2 24 Vdc I/O power segment integrated into the bus bases
- 3 3-wire sensor
- 4 2-wire sensor
- 5 External power supply: 100...240 Vac
- 6 External fuse type T slow-blow 1 A 250 V

⚠ WARNING

UNINTENDED EQUIPMENT OPERATION

Do not connect wires to unused terminals and/or terminals indicated as “No Connection (N.C.)”.

Failure to follow these instructions can result in death, serious injury, or equipment damage.

⚠ WARNING

UNINTENDED EQUIPMENT OPERATION

Use the sensor and actuator power supply only for supplying power to sensors or actuators connected to the module.

Failure to follow these instructions can result in death, serious injury, or equipment damage.

Chapter 10

TM5SDI4A Electronic Module 4DI 100...240 Vac 50/60 Hz 2 Wires

What Is in This Chapter?

This chapter contains the following topics:

Topic	Page
TM5SDI4A Presentation	96
TM5SDI4A Characteristics	98
TM5SDI4A Wiring Diagram	100

TM5SDI4A Presentation

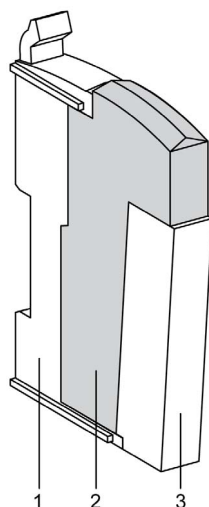
Main Characteristics

The table below describes the main characteristics of the TM5SDI4A electronic module:

Main Characteristics	
Number of input channels	4
Input type	Type 1
Rated input voltage	100 ... 240 Vac

Ordering Information

The following illustration shows the TM5SDI4A:



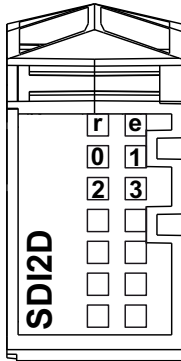
The table below shows the model numbers for the terminal block and the bus base associated with the TM5SDI4A:

Number	Model Number	Description	Color
1	TM5ACBM12	Bus base	Black
2	TM5SDI4A	Electronic Module	Black
3	TM5ACTB32	Terminal block, 12 pins	Black

NOTE: For more information, refer to *TM5 bus bases and terminal blocks*.

Status LEDs

The following illustration shows the LEDs for TM5SDI4A:



The table below shows the TM5SDI4A status LEDs:

LEDs	Color	Status	Description
r	Green	Off	No power supply
		Single Flash	Reset state
		Flashing	Preoperational state
		On	Normal operation
e	Red	Off	OK or no power supply
		Double Flash	I/O supply too low
e+r	Steady red / single green flash		Invalid firmware
0 - 3	Green	Off	Corresponding input deactivated
		On	Corresponding input activated

TM5SDI4A Characteristics

Introduction

This is the description characteristics for the TM5SDI4A electronic module. See also Environmental Characteristics (*see page 27*).

DANGER

FIRE HAZARD

Use only the correct wire sizes for the maximum current capacity of the I/O channels and power supplies.

Failure to follow these instructions will result in death or serious injury.

WARNING

UNINTENDED EQUIPMENT OPERATION

Do not exceed any of the rated values specified in the environmental and electrical characteristics tables.

Failure to follow these instructions can result in death, serious injury, or equipment damage.

General Characteristics

The table below describes the general characteristics of the TM5SDI4A electronic module:

General Characteristics	
Rated power supply voltage	100...240 Vac
Power supply source	Connected to an external AC power
Power supply range	100...240 Vac
24 Vdc I/O segment current draw	0 mA (N.C.)
TM5 Bus 5 Vdc current draw	34 mA
Power dissipation	1.08 W max.
Weight	25 g (0.9 oz)
ID code	9541 dec

Input Characteristics

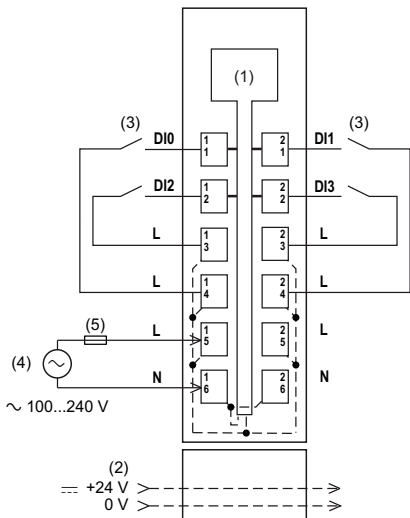
The table describes the input characteristics of the TM5SDI4A electronic module:

Input Characteristics		
Number of input channels		4
Wiring type		1 or 2 wires
Rated input voltage		240 Vac
Input voltage range		120...240 Vac
Rated input current at 120 Vac		5 mA
Rated input current at 240 Vac		11 mA
Input filter	Hardware	0 -> 1: ≤40 ms 1 -> 0: ≤30 ms
	Software	Default 1 ms, can be configured between 0 and 25 ms in 0.2 ms intervals.
Isolation	Between channels and bus	1 minute 2500 Vac
	Between channels	Not isolated

TM5SDI4A Wiring Diagram

Wiring Diagram

The following illustration shows the wiring diagram for TM5SDI4A:



- 1 Internal electronics
- 2 24 Vdc I/O power segment integrated into the bus bases
- 3 2-wire sensor
- 4 External power supply: 100...240 Vac
- 5 External fuse type T slow-blow 1 A - 250 V

⚠ WARNING

UNINTENDED EQUIPMENT OPERATION

Do not connect wires to unused terminals and/or terminals indicated as “No Connection (N.C.)”.

Failure to follow these instructions can result in death, serious injury, or equipment damage.

⚠ WARNING

UNINTENDED EQUIPMENT OPERATION

Use the sensor and actuator power supply only for supplying power to sensors or actuators connected to the module.

Failure to follow these instructions can result in death, serious injury, or equipment damage.

Chapter 11

TM5SDI6U Electronic Module 6DI 100...120 Vac 50/60 Hz 1 Wire

What Is in This Chapter?

This chapter contains the following topics:

Topic	Page
TM5SDI6U Presentation	102
TM5SDI6U Characteristics	104
TM5SDI6U Wiring Diagram	106

TM5SDI6U Presentation

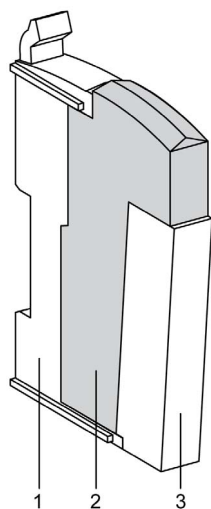
Main Characteristics

The table below describes the main characteristics of the TM5SDI6U electronic module:

Main Characteristics	
Number of input channels	6
Input type	Type 1
Rated input voltage	100...120 Vac

Ordering Information

The following illustration shows the TM5SDI6U:



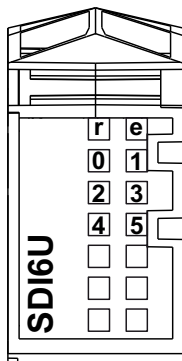
The table below shows the model numbers for the terminal block and the bus base associated with the TM5SDI6U:

Number	Model Number	Description	Color
1	TM5ACBM12	Bus base	Black
2	TM5SDI6U	Electronic Module	Black
3	TM5ACTB32	Terminal block, 12 pins	Black

NOTE: For more information, refer to *TM5 bus bases and terminal blocks*.

Status LEDs

The following illustration shows the LEDs for TM5SDI6U:



The table below shows the TM5SDI6U status LEDs:

LEDs	Color	Status	Description
r	Green	Off	No power supply
		Single Flash	Reset state
		Flashing	Preoperational state
		On	Normal operation
e	Red	Off	OK or no power supply
		Double Flash	I/O supply too low
e+r	Steady red / single green flash		Invalid firmware
0 - 5	Green	Off	Corresponding input deactivated
		On	Corresponding input activated

TM5SDI6U Characteristics

Introduction

This is the description characteristics for the TM5SDI6U electronic module. See also Environmental Characteristics (*see page 27*).

DANGER

FIRE HAZARD

Use only the correct wire sizes for the maximum current capacity of the I/O channels and power supplies.

Failure to follow these instructions will result in death or serious injury.

WARNING

UNINTENDED EQUIPMENT OPERATION

Do not exceed any of the rated values specified in the environmental and electrical characteristics tables.

Failure to follow these instructions can result in death, serious injury, or equipment damage.

General Characteristics

The table below describes the general characteristics of the TM5SDI6U electronic module:

General Characteristics	
Rated power supply voltage	120 Vac
Power supply source	Connected to the external power AC
Power supply range	100...120 Vac
24 Vdc I/O segment current draw	0 mA (N.C.)
TM5 Bus 5 Vdc current draw	42 mA
Power dissipation	0.89 W max.
Weight	25 g (0.9 oz)
ID code	9583 dec

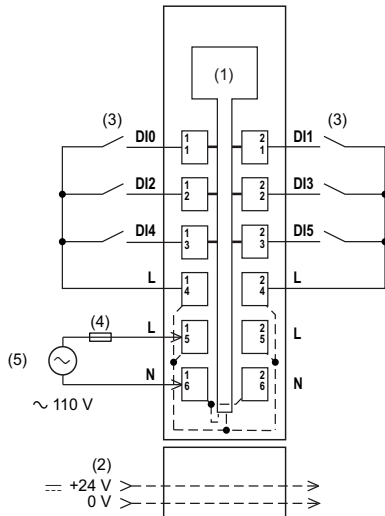
Input Characteristics

The table describes the input characteristics of the TM5SDI6U electronic module:

Input Characteristics		
Number of input channels		6
Wiring type		1 wire
Rated input voltage		120 Vac
Input voltage range		100...120 Vac
Rated input current at 120 Vac		10 mA at 60 Hz 8.5 mA at 50 Hz
Input filter	Hardware	0 ->1 ≤15 ms 1 ->0 ≤30 ms
	Software	Default 1 ms, can be configured between 0 and 25 ms in 0.2 ms intervals.
Isolation	Between channels and bus	1 minute 1500 Vac
	Between channels	Not isolated

TM5SDI6U Wiring Diagram

Wiring Diagram



- 1 Internal electronics
- 2 24 Vdc I/O power segment integrated into the bus bases
- 3 1-wire sensor
- 4 External fuse type T slow-blow 1 A - 250 V
- 5 External power supply 110 Vac

WARNING

UNINTENDED EQUIPMENT OPERATION

Do not connect wires to unused terminals and/or terminals indicated as "No Connection (N.C.)".

Failure to follow these instructions can result in death, serious injury, or equipment damage.

Part III

TM5 System Digital Output Electronic Modules

What Is in This Part?

This part contains the following chapters:

Chapter	Chapter Name	Page
12	TM5SDO2T Electronic Module 2DO 24 Vdc Tr 0.5 A 3 Wires	109
13	TM5SDO4T Electronic Module 4DO 24 Vdc Tr 0.5 A 3 Wires	117
14	TM5SDO4TA Electronic Module 4DO 24 Vdc Tr 2 A 3 Wires	125
15	TM5SDO6T Electronic Module 6DO 24 Vdc Tr 0.5 A 2 Wires	133
16	TM5SDO8TA Electronic Module 8DO 24 Vdc Tr 2 A 1 Wire	141
17	TM5SDO12T Electronic Module 12DO 24 Vdc Tr 0.5 A 1 Wire	151
18	TM5SDO16T Electronic Module 16DO 24 Vdc Tr 0.5 A 1 Wire	159
19	TM5SDO2R Electronic Module 2DO 30 Vdc/230 Vac 50/60 Hz 5A Relay C/O	169
20	TM5SDO4R Electronic Module 4DO 30 Vdc/230 Vac 50/60 Hz 5 A Relay N/O	177
21	TM5SDO2S Electronic Module 2DO 240 Vac 50/60 Hz Triac 1 A 3 Wires	185

Chapter 12

TM5SDO2T Electronic Module 2DO 24 Vdc Tr 0.5 A 3 Wires

What Is in This Chapter?

This chapter contains the following topics:

Topic	Page
TM5SDO2T Presentation	110
TM5SDO2T Characteristics	112
TM5SDO2T Wiring Diagram	115

TM5SDO2T Presentation

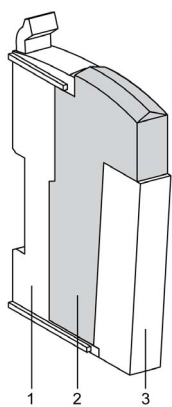
Main Characteristics

The table below describes the main characteristics of the TM5SDO2T electronic module:

Main Characteristics	
Number of outputs channels	2
Output type	Transistor
Signal type	Source
Rated input voltage	24 Vdc
Output current	0.5 A max.

Ordering Information

The following illustration shows the TM5SDO2T:



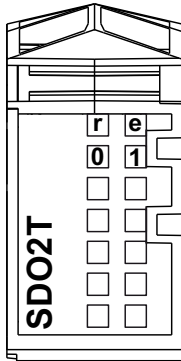
The table below shows the model numbers for the terminal blocks and the bus bases associated with the TM5SDO2T:

Number	Model Number	Description	Color
1	TM5ACBM11	Bus base	White
	or TM5ACBM15	Bus base with address setting	White
2	TM5SDO2T	Electronic Module	White
3	TM5ACTB06	Terminal block, 6 pins	White
	or TM5ACTB12	Terminal block, 12 pins	White

NOTE: For more information, refer to *TM5 bus bases and terminal blocks*.

Status LEDs

The following illustration shows LEDs for TM5SDO2T:



The table below shows the TM5SDO2T status LEDs:

LEDs	Color	Status	Description
r	Green	Off	No power supply
		Single Flash	Reset state
		Flashing	Preoperational state
		On	Normal operation
e	Red	Off	OK or no power supply
		Single flash	Error detected on output channels ⁽¹⁾
e+r	Steady Red / Single Green flash		Invalid firmware
0 - 1	Yellow	Off	Corresponding output deactivated
		On	Corresponding output activated
NOTE:			
⁽¹⁾ The e LED flashes when detecting one of the following errors on output channels:			
<ul style="list-style-type: none"> ● Short-circuit ● Overload ● No 24 Vdc Power Segment supply and an output is at logic 1 			

TM5SDO2T Characteristics

Introduction

This is the description characteristics for TM5SDO2T electronic module.

See also Environmental Characteristics (*see page 27*).

DANGER

FIRE HAZARD

Use only the correct wire sizes for the maximum current capacity of the I/O channels and power supplies.

Failure to follow these instructions will result in death or serious injury.

WARNING

UNINTENDED EQUIPMENT OPERATION

Do not exceed any of the rated values specified in the environmental and electrical characteristics tables.

Failure to follow these instructions can result in death, serious injury, or equipment damage.

General Characteristics

The table below describes the general characteristics of the TM5SDO2T electronic module:

General Characteristics	
Rated power supply voltage	24 Vdc
Power supply source	Connected to the 24 Vdc I/O power segment
Power supply range	20.4...28.8 Vdc
24 Vdc I/O segment current draw	14 mA
TM5 bus 5 Vdc current draw	26 mA
Power dissipation	0.57 W max.
Weight	25 g (0.9 oz)
ID code for firmware update	7062 dec

Output Characteristics

The table below describes the output characteristics of the TM5SDO2T electronic module:

Output Characteristics		
Output channels	2	
Wiring type	1, 2 or 3 wires	
Output current	0.5 A max. per output	
Total output current	1 A max.	
Output voltage	24 Vdc	
Output voltage range	20.4...28.8 Vdc	
Voltage drop	0.3 Vdc max. at 0.5 A rated current	
Leakage current when switched off	5 μ A	
Turn on time	300 μ s max.	
Turn off time	300 μ s max.	
Output protection	Against short-circuit and overload, thermal protection	
Short-circuit output peak current	12 A max.	
Automatic rearming after short-circuit or overload	Yes, 10 ms min. depending on internal temperature	
Protection against reverse polarity	Yes	
Clamping voltage	Typ. 50 Vdc	
Switching frequency	Resistive load	500 Hz max.
	Inductive load	See the switching inductive load characteristics (<i>see page 114</i>).
Isolation	Between input and internal bus	See note ¹
	Between channels	Not isolated

¹ The isolation of the electronic module is 500 Vac RMS between the electronics powered by the TM5 bus and those powered by 24 Vdc I/O power segment connected to the module. In practice, the TM5 electronic module is installed in the bus base, and there is a bridge between the TM5 power bus and the 24 Vdc I/O power segment. The two power circuits reference the same functional ground (FE) through specific components designed to reduce effects of electromagnetic interference. These components are rated at 30 Vdc or 60 Vdc. This effectively reduces isolation of the entire system from the 500 Vac RMS.

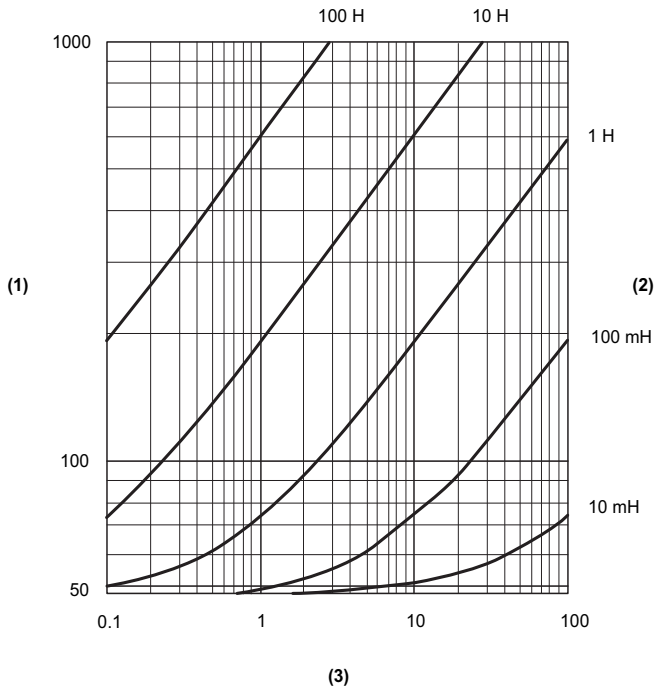
Actuator Supply

The table below describes the actuator supply of the TM5SDO2T electronic module:

Supply	
Voltage	Power segment supply less voltage drop for internal protection.
Voltage drop for internal protection at 500 mA	2 Vdc max
Actuator supply current (for all powered connected actuators)	500 mA
Internal protection	Overload and short-circuit

Switching Inductive Loads

The curves below provide the switching inductive load characteristics for the TM5SDO2T electronic module.

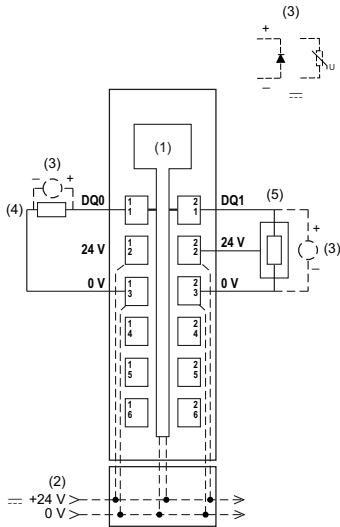


- 1 Load resistance in Ω
- 2 Load inductance
- 3 Max. operating cycles / second

TM5SDO2T Wiring Diagram

Wiring Diagram

The following illustration shows the wiring diagram for TM5SDO2T:



- 1 Internal electronics
- 2 24 Vdc I/O power segment integrated into the bus bases
- 3 Inductive load protection
- 4 2-wire load
- 5 3-wire load

⚠ WARNING

UNINTENDED EQUIPMENT OPERATION

Do not connect wires to unused terminals and/or terminals indicated as “No Connection (N.C.)”.

Failure to follow these instructions can result in death, serious injury, or equipment damage.

⚠ WARNING

UNINTENDED EQUIPMENT OPERATION

Use the sensor and actuator power supply only for supplying power to sensors or actuators connected to the module.

Failure to follow these instructions can result in death, serious injury, or equipment damage.

Chapter 13

TM5SDO4T Electronic Module 4DO 24 Vdc Tr 0.5 A 3 Wires

What Is in This Chapter?

This chapter contains the following topics:

Topic	Page
TM5SDO4T Presentation	118
TM5SDO4T Characteristics	120
TM5SDO4T Wiring Diagram	123

TM5SDO4T Presentation

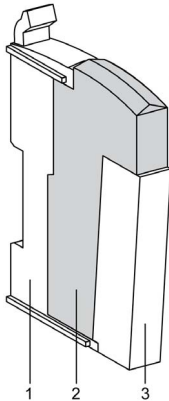
Main Characteristics

The table below describes the main characteristics of the TM5SDO4T electronic module:

Main Characteristics	
Number of output channels	4
Output type	Transistor
Signal type	Source
Rated input voltage	24 Vdc
Output current	0.5 A max.

Ordering Information

The following illustration shows the TM5SDO4T:



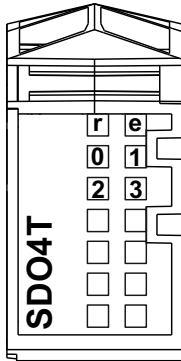
The table below shows the model numbers for the terminal blocks and the bus bases associated with the TM5SDO4T:

Number	Model Number	Description	Color
1	TM5ACBM11 or TM5ACBM15	Bus base Bus base with address setting	White
2	TM5SDO4T	Electronic Module	White
3	TM5ACTB06 or TM5ACTB12	Terminal block, 6 pins Terminal block, 12 pins	White

NOTE: For more information, refer to *TM5 bus bases and terminal blocks*.

Status LEDs

The following illustration shows LEDs for TM5SDO4T:



The table below shows the TM5SDO4T status LEDs:

LEDs	Color	Status	Description
r	Green	Off	No power supply
		Single Flash	Reset state
		Flashing	Preoperational state
		On	Normal operation
e	Red	Off	OK or no power supply
		Single flash	Error detected on output channels ⁽¹⁾
e+r	Steady Red / Single Green flash		Invalid firmware
0 - 3	Yellow	Off	Corresponding output deactivated
		On	Corresponding output activated
NOTE:			
⁽¹⁾ The e LED flashes when detecting one of the following errors on output channels:			
<ul style="list-style-type: none"> ● Short-circuit ● Overload ● No 24 Vdc Power Segment supply and an output is at logic 1 			

TM5SDO4T Characteristics

Introduction

This is the description characteristics for TM5SDO4T electronic module.

See also Environmental Characteristics (*see page 27*).

DANGER

FIRE HAZARD

Use only the correct wire sizes for the maximum current capacity of the I/O channels and power supplies.

Failure to follow these instructions will result in death or serious injury.

WARNING

UNINTENDED EQUIPMENT OPERATION

Do not exceed any of the rated values specified in the environmental and electrical characteristics tables.

Failure to follow these instructions can result in death, serious injury, or equipment damage.

General Characteristics

The table below describes the general characteristics of the TM5SDO4T electronic module:

General Characteristics	
Rated power supply voltage	24 Vdc
Power supply source	Connected to the 24 Vdc I/O power segment
Power supply range	20.4...28.8 Vdc
24 Vdc I/O segment current draw	20 mA
TM5 bus 5 Vdc current draw	32 mA
Power dissipation	0.86 W max.
Weight	25 g (0.9 oz)
ID code for firmware update	7063 dec

Output Characteristics

The table below describes the output characteristics of the TM5SDO4T electronic module:

Output Characteristics		
Output channels		4
Wiring type		1, 2 or 3 wires
Output current		0.5 A max. per output
Total output current		2 A max.
Output voltage		24 Vdc
Output voltage range		20.4...28.8 Vdc
Voltage drop		0.3 Vdc max. at 0.5 A rated current
Leakage current when switched off		5 μ A
Turn on time		300 μ s max.
Turn off time		300 μ s max.
Output protection		Against short-circuit and overload, thermal protection
Short circuit output peak current		12 A max.
Automatic rearming after short circuit or overload		Yes, 10 ms min. depending on internal temperature
Protection against reverse polarity		Yes
Clamping voltage		Typ. 50 Vdc
Switching frequency	Resistive load	500 Hz max.
	Inductive load	See the switching inductive load characteristics (<i>see page 122</i>).
Isolation	Between input and internal bus	See note ¹
	Between channels	Not isolated

¹ The isolation of the electronic module is 500 Vac RMS between the electronics powered by the TM5 bus and those powered by 24 Vdc I/O power segment connected to the module. In practice, the TM5 electronic module is installed in the bus base, and there is a bridge between the TM5 power bus and the 24 Vdc I/O power segment. The two power circuits reference the same functional ground (FE) through specific components designed to reduce effects of electromagnetic interference. These components are rated at 30 Vdc or 60 Vdc. This effectively reduces isolation of the entire system from the 500 Vac RMS.

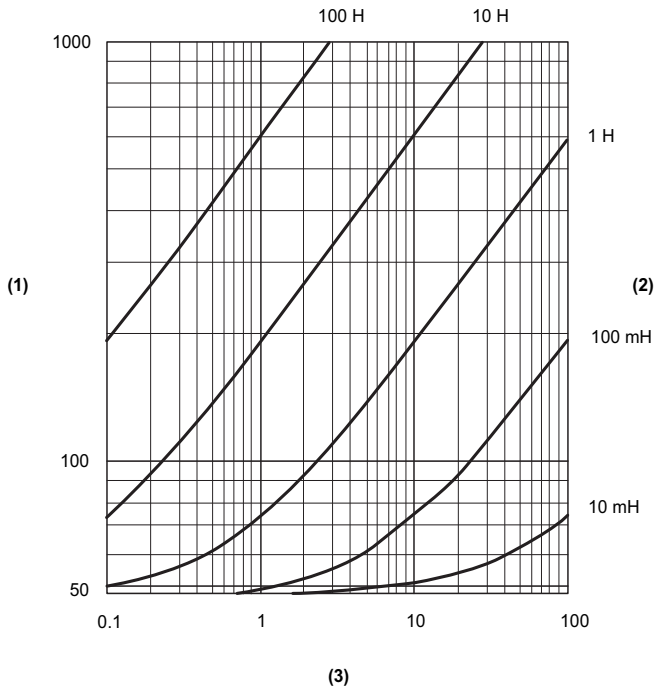
Actuator Supply

The table below describes the actuator supply of the TM5SDO4T electronic module:

Supply	
Voltage	Power segment supply less voltage drop for internal protection.
Voltage drop for internal protection at 500 mA	2 Vdc max
Actuator supply current (for all powered connected actuators)	500 mA
Internal protection	Overload and short circuit

Switching Inductive Loads

The curves below provide the switching inductive load characteristics for the TM5SDO4T electronic module.

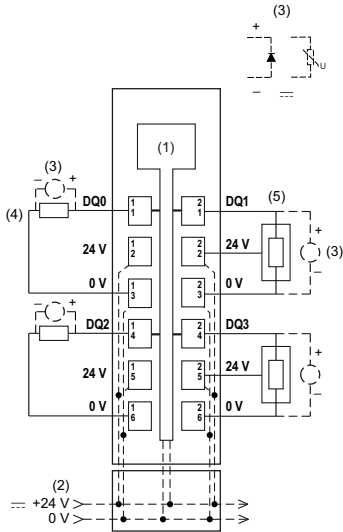


- 1 Load resistance in Ω
- 2 Load inductance
- 3 Max. operating cycles / second

TM5SDO4T Wiring Diagram

Wiring Diagram

The following illustration shows the wiring diagram for TM5SDO4T:



- 1 Internal electronics
- 2 24 Vdc I/O power segment integrated into the bus bases
- 3 Inductive load protection
- 4 2-wire load
- 5 3-wire load

⚠ WARNING

UNINTENDED EQUIPMENT OPERATION

Do not connect wires to unused terminals and/or terminals indicated as “No Connection (N.C.)”.

Failure to follow these instructions can result in death, serious injury, or equipment damage.

⚠ WARNING

UNINTENDED EQUIPMENT OPERATION

Use the sensor and actuator power supply only for supplying power to sensors or actuators connected to the module.

Failure to follow these instructions can result in death, serious injury, or equipment damage.

Chapter 14

TM5SDO4TA Electronic Module 4DO 24 Vdc Tr 2 A 3 Wires

What Is in This Chapter?

This chapter contains the following topics:

Topic	Page
TM5SDO4TA Presentation	126
TM5SDO4TA Characteristics	128
TM5SDO4TA Wiring Diagram	131

TM5SDO4TA Presentation

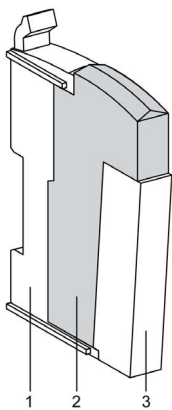
Main Characteristics

The table below describes the main characteristics of the TM5SDO4TA electronic module:

Main Characteristics	
Number of output channels	4
Output type	Transistor
Signal type	Source
Rated input voltage	24 Vdc
Output current	2 A max.

Ordering Information

The following illustration shows the TM5SDO4TA:



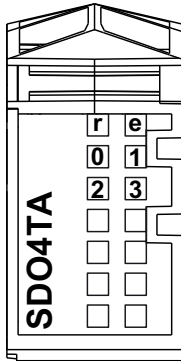
The table below shows the model numbers for the terminal blocks and the bus bases associated with the TM5SDO4TA:

Number	Model Number	Description	Color
1	TM5ACBM11	Bus base	White
	or TM5ACBM15	Bus base with address setting	White
2	TM5SDO4TA	Electronic Module	White
3	TM5ACTB06	Terminal block, 6 pins	White
	or TM5ACTB12	Terminal block, 12 pins	White

NOTE: For more information, refer to *TM5 bus bases and terminal blocks*.

Status LEDs

The following illustration shows LEDs for TM5SDO4TA:



The table below shows the TM5SDO4TA status LEDs:

LEDs	Color	Status	Description
r	Green	Off	No power supply
		Single Flash	Reset state
		Flashing	Preoperational state
		On	Normal operation
e	Red	Off	OK or no power supply
		Single flash	Error detected on output channels ⁽¹⁾
e+r	Steady Red / Single Green flash		Invalid firmware
0 - 3	Yellow	Off	Corresponding output deactivated
		On	Corresponding output activated
NOTE:			
⁽¹⁾ The e LED flashes when detecting one of the following errors on output channels:			
<ul style="list-style-type: none"> ● Short-circuit ● Overload ● No 24 Vdc Power Segment supply and an output is at logic 1 			

TM5SDO4TA Characteristics

Introduction

This is the description characteristics for the TM5SDO4TA electronic module.

See also Environmental Characteristics (*see page 27*).

DANGER

FIRE HAZARD

Use only the correct wire sizes for the maximum current capacity of the I/O channels and power supplies.

Failure to follow these instructions will result in death or serious injury.

WARNING

UNINTENDED EQUIPMENT OPERATION

Do not exceed any of the rated values specified in the environmental and electrical characteristics tables.

Failure to follow these instructions can result in death, serious injury, or equipment damage.

General Characteristics

The table below describes the general characteristics of the TM5SDO4TA electronic module:

General Characteristics	
Rated power supply voltage	24 Vdc
Power supply source	Connected to the 24 Vdc I/O power segment
Power supply range	20.4...28.8 Vdc
24 Vdc I/O segment current draw	21 mA
TM5 bus 5 Vdc current draw	32 mA
Power dissipation	2.10 W max.
Weight	25 g (0.9 oz)
ID code for firmware update	7068 dec

Output Characteristics

The table below describes the output characteristics of the TM5SDO4TA electronic module:

Output Characteristics		
Output channels		4
Wiring type		1, 2 or 3 wires
Output current		2 A max. per output
Total output current		4 A max.
Output voltage		24 Vdc
Output voltage range		20.4...28.8 Vdc
Voltage drop		0.5 Vdc max. at 2 A rated current
Leakage current when switched off		5 μ A
Turn on time		300 μ s max.
Turn off time		300 μ s max.
Output protection		Against short-circuit and overload, thermal protection
Short circuit output peak current		12 A max.
Automatic rearming after short circuit or overload		Yes, 10 ms min. depending on internal temperature
Protection against reverse polarity		Yes
Clamping voltage		Typ. 50 Vdc
Switching frequency	Resistive load	500 Hz max.
	Inductive load	See the switching inductive load characteristics (<i>see page 130</i>).
Isolation	Between input and internal bus	See note ¹
	Between channels	Not isolated

¹ The isolation of the electronic module is 500 Vac RMS between the electronics powered by the TM5 bus and those powered by 24 Vdc I/O power segment connected to the module. In practice, the TM5 electronic module is installed in the bus base, and there is a bridge between the TM5 power bus and the 24 Vdc I/O power segment. The two power circuits reference the same functional ground (FE) through specific components designed to reduce effects of electromagnetic interference. These components are rated at 30 Vdc or 60 Vdc. This effectively reduces isolation of the entire system from the 500 Vac RMS.

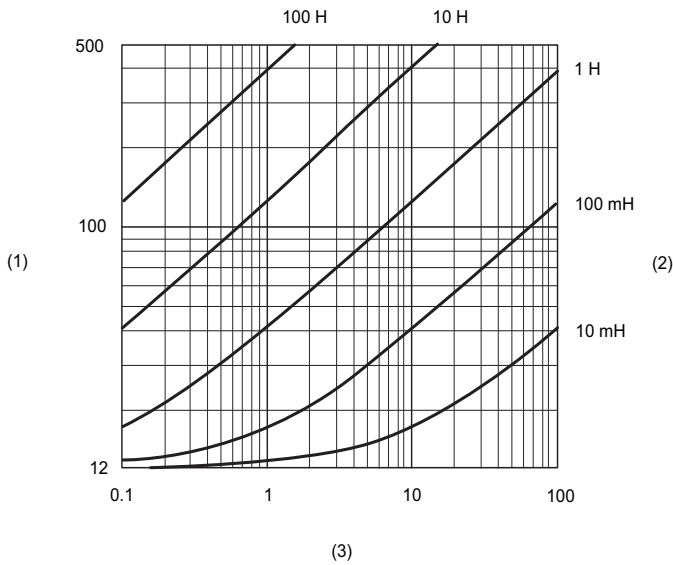
Actuator Supply

The table below describes the actuator supply of the TM5SDO4TA electronic module:

Supply	
Voltage	Power segment supply less voltage drop for internal protection.
Voltage drop for internal protection at 500 mA	2 Vdc max
Actuator supply current (for all powered connected actuators)	500 mA
Internal protection	Overload and short circuit

Switching Inductive Loads

The curves below provide the switching inductive load characteristics for the TM5SDO4TA electronic module.

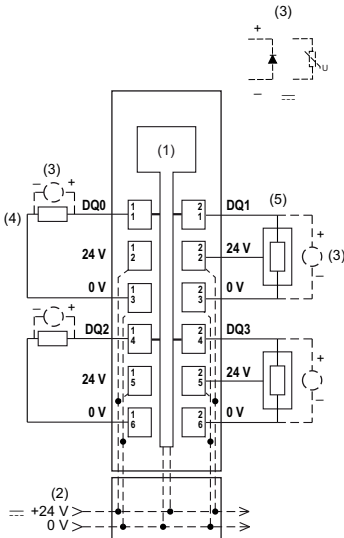


- 1 Load resistance in Ω
- 2 Load inductance
- 3 Max. operating cycles / second

TM5SDO4TA Wiring Diagram

Wiring Diagram

The following illustration shows the wiring diagram for TM5SDO4TA:



- 1 Internal electronics
- 2 24 Vdc I/O power segment integrated into the bus bases
- 3 Inductive load protection
- 4 2-wire load
- 5 3-wire load

⚠ WARNING

UNINTENDED EQUIPMENT OPERATION

Do not connect wires to unused terminals and/or terminals indicated as “No Connection (N.C.)”.
Failure to follow these instructions can result in death, serious injury, or equipment damage.

⚠ WARNING

UNINTENDED EQUIPMENT OPERATION

Use the sensor and actuator power supply only for supplying power to sensors or actuators connected to the module.

Failure to follow these instructions can result in death, serious injury, or equipment damage.

Chapter 15

TM5SDO6T Electronic Module 6DO 24 Vdc Tr 0.5 A 2 Wires

What Is in This Chapter?

This chapter contains the following topics:

Topic	Page
TM5SDO6T Presentation	134
TM5SDO6T Characteristics	136
TM5SDO6T Wiring Diagram	139

TM5SDO6T Presentation

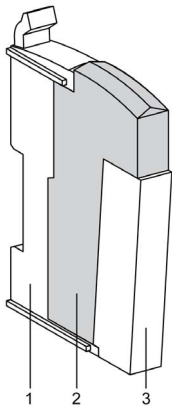
Main Characteristics

The table below describes the main characteristics of the TM5SDO6T electronic module:

Main Characteristics	
Number of output channels	6
Output type	Transistor
Signal type	Source
Rated input voltage	24 Vdc
Output current	0.5 A max.

Ordering Information

The following illustration shows the TM5SDO6T:



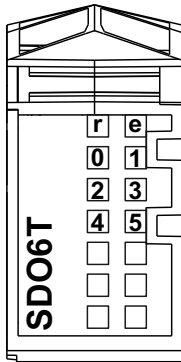
The table below shows the model numbers for the terminal blocks and the bus bases associated with the TM5SDO6T:

Number	Model Number	Description	Color
1	TM5ACBM11	Bus base	White
	or TM5ACBM15	Bus base with address setting	White
2	TM5SDO6T	Electronic module	White
3	TM5ACTB06	Terminal block, 6 pins	White
	or TM5ACTB12	Terminal block, 12 pins	White

NOTE: For more information, refer to *TM5 bus bases and terminal blocks*.

Status LEDs

The following illustration shows LEDs for TM5SDO6T:



The table below shows the TM5SDO6T status LEDs:

LEDs	Color	Status	Description
r	Green	Off	No power supply
		Single Flash	Reset state
		Flashing	Preoperational state
		On	Normal operation
e	Red	Off	OK or no power supply
		Single flash	Error detected on output channels ⁽¹⁾
e+r	Steady Red / Single Green flash		Invalid firmware
0 - 5	Yellow	Off	Corresponding output deactivated
		On	Corresponding output activated
NOTE:			
⁽¹⁾ The e LED flashes when detecting one of the following errors on output channels:			
<ul style="list-style-type: none"> ● Short-circuit ● Overload ● No 24 Vdc Power Segment supply and an output is at logic 1 			

TM5SDO6T Characteristics

Introduction

This is the description characteristics for the TM5SDO6T electronic module.

See also Environmental Characteristics (*see page 27*).

DANGER

FIRE HAZARD

Use only the correct wire sizes for the maximum current capacity of the I/O channels and power supplies.

Failure to follow these instructions will result in death or serious injury.

WARNING

UNINTENDED EQUIPMENT OPERATION

Do not exceed any of the rated values specified in the environmental and electrical characteristics tables.

Failure to follow these instructions can result in death, serious injury, or equipment damage.

General Characteristics

The table below describes the general characteristics of the TM5SDO6T electronic module:

General Characteristics	
Rated power supply voltage	24 Vdc
Power supply source	Connected to the 24 Vdc I/O power segment
Power supply range	20.4...28.8 Vdc
24 Vdc I/O segment current draw	30 mA
TM5 bus 5 Vdc current draw	36 mA
Power dissipation	1.20 W max.
Weight	25 g (0.9 oz)
ID code for firmware update	7064 dec

Output Characteristics

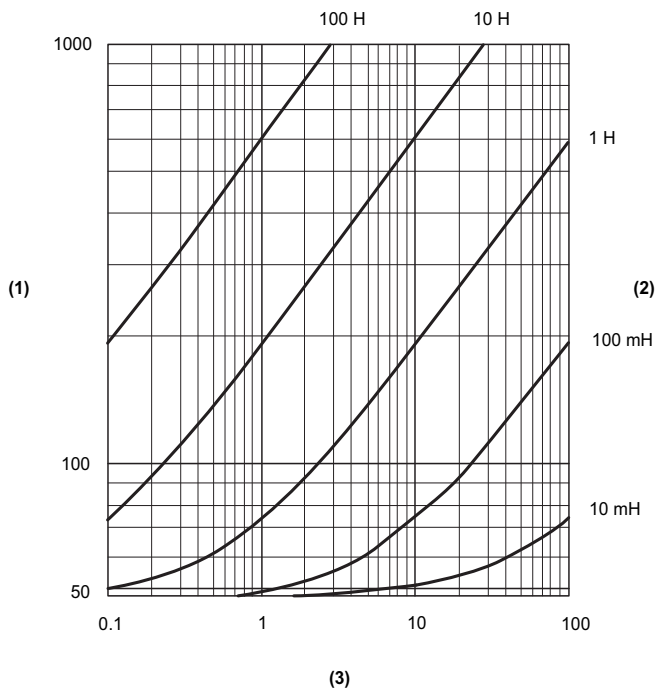
The table below describes the output characteristics of the TM5SDO6T electronic module:

Output Characteristics		
Output channels	6	
Wiring type	1 or 2 wires	
Output current	0.5 A max. per output	
Total output current	3 A max.	
Output voltage	24 Vdc	
Output voltage range	20.4...28.8 Vdc	
Voltage drop	0.3 Vdc max. at 0.5 A rated current	
Leakage current when switched off	5 μ A	
Turn on time	300 μ s max.	
Turn off time	300 μ s max.	
Output protection	Against short-circuit and overload, thermal protection	
Short-circuit output peak current	12 A max.	
Automatic rearming after short-circuit or overload	Yes, 10 ms min. depending on internal temperature	
Protection against reverse polarity	Yes	
Clamping voltage	Typ. 50 Vdc	
Switching frequency	Resistive load	500 Hz Max.
	Inductive load	See the switching inductive load characteristics (<i>see page 138</i>).
Isolation	Between input and internal bus	See note ¹
	Between channels	Not isolated

¹ The isolation of the electronic module is 500 Vac RMS between the electronics powered by the TM5 bus and those powered by 24 Vdc I/O power segment connected to the module. In practice, the TM5 electronic module is installed in the bus base, and there is a bridge between the TM5 power bus and the 24 Vdc I/O power segment. The two power circuits reference the same functional ground (FE) through specific components designed to reduce effects of electromagnetic interference. These components are rated at 30 Vdc or 60 Vdc. This effectively reduces isolation of the entire system from the 500 Vac RMS.

Switching Inductive Loads

The curves below provide the switching inductive load characteristics for the TM5SDO6T electronic module.

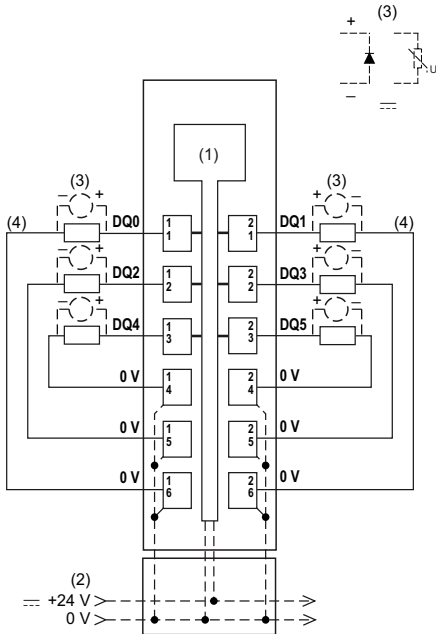


- 1 Load resistance in Ω
- 2 Load inductance
- 3 Max. operating cycles / second

TM5SDO6T Wiring Diagram

Wiring Diagram

The following illustration shows the wiring diagram for TM5SDO6T:



- 1 Internal electronics
- 2 24 Vdc I/O power segment integrated into the bus bases
- 3 Inductive load protection
- 4 2-wire load

⚠ WARNING

UNINTENDED EQUIPMENT OPERATION

Do not connect wires to unused terminals and/or terminals indicated as “No Connection (N.C.)”.

Failure to follow these instructions can result in death, serious injury, or equipment damage.

Chapter 16

TM5SDO8TA Electronic Module 8DO 24 Vdc Tr 2 A 1 Wire

What Is in This Chapter?

This chapter contains the following topics:

Topic	Page
TM5SDO8TA Presentation	142
TM5SDO8TA Characteristics	144
TM5SDO8TA Wiring Diagram	148

TM5SDO8TA Presentation

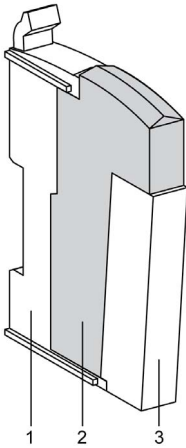
Main Characteristics

The table below describes the main characteristics of the TM5SDO8TA electronic module:

Main Characteristics	
Number of output channels	8
Output type	Transistor
Signal type	Source
Rated input voltage	24 Vdc
Output current	2 A max.

Ordering Information

The following illustration shows the TM5SDO8TA:



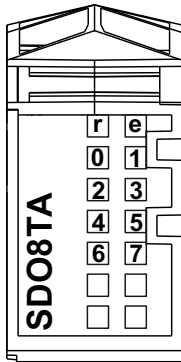
The table below shows the model numbers for the terminal block and the bus bases associated with the TM5SDO8TA:

Number	Model Number	Description	Color
1	TM5ACBM11	Bus base	White
	or TM5ACBM15	Bus base with address setting	White
2	TM5SDO8TA	Electronic Module	White
3	TM5ACTB12	Terminal block, 12 pins	White

NOTE: For more information, refer to *TM5 bus bases and terminal blocks*.

Status LEDs

The following illustration shows LEDs for TM5SDO8TA:



The table below shows the TM5SDO8TA status LEDs:

LEDs	Color	Status	Description
r	Green	Off	No power supply
		Single Flash	Reset state
		Flashing	Preoperational state
		On	Normal operation
e	Red	Off	OK or no power supply
		Single flash	Error detected on output channels ⁽¹⁾
		Double flash	External I/O supply too low
e+r	Steady Red / Single Green flash		Invalid firmware
0 - 7	Yellow	Off	Corresponding output deactivated
		On	Corresponding output activated

NOTE:

⁽¹⁾ The e LED flashes when detecting one of the following errors on output channels:

- Short-circuit
- Overload

TM5SDO8TA Characteristics

Introduction

This is the description characteristics for TM5SDO8TA electronic module.

See also Environmental Characteristics (*see page 27*).

DANGER

FIRE HAZARD

Use only the correct wire sizes for the maximum current capacity of the I/O channels and power supplies.

Failure to follow these instructions will result in death or serious injury.

WARNING

UNINTENDED EQUIPMENT OPERATION

Do not exceed any of the rated values specified in the environmental and electrical characteristics tables.

Failure to follow these instructions can result in death, serious injury, or equipment damage.

General Characteristics

The table below describes the general characteristics of the TM5SDO8TA electronic module:

General Characteristics	
Rated power supply voltage	24 Vdc ⁽¹⁾
Power supply source	External isolated power supply
Power supply range	20.4...28.8 Vdc
24 Vdc I/O segment current draw	0 mA
TM5 bus 5 Vdc current draw	44 mA
Power dissipation	1.50 W max.
Weight	25 g (0.9 oz)
ID code for firmware update	7069 dec
(1) The output supply is fed directly to the module. There is no connection between the module and the 24 Vdc I/O power segment on the bus base.	

Output Characteristics

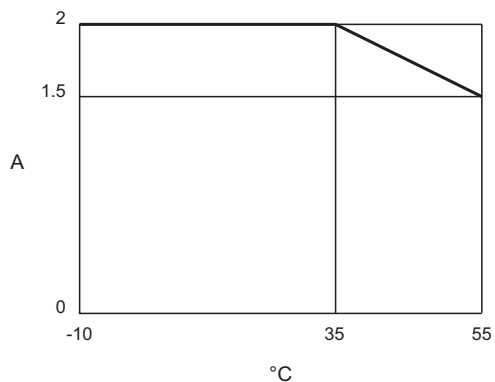
The table below describes the output characteristics of the TM5SDO8TA electronic module:

Output Characteristics		
Output channels	8	
Wiring type	1 wire	
Output current	2 A max. per output*	
Total output current	8 A max.	
Output voltage	24 Vdc	
Output voltage range	20.4...28.8 Vdc	
De-rating	- 10...55 °C (14...131 °F)	I = 1.5 A max. by channel*
	55...60 °C (131...140 °F)	I = 1 A max. by channel*
Voltage drop	0.5 Vdc max. at 2 A rated current	
Leakage current when switched off	5 µA	
Turn on time	300 µs max.	
Turn off time	300 µs max.	
Output protection	Against short-circuit and overload, thermal protection	
Short-circuit output peak current	12 A max.	
Automatic rearming after short-circuit or overload	Yes, 10 ms min. depending on internal temperature	
Protection against reverse polarity	Yes	
Clamping voltage	Typ. 50 Vdc	
Switching frequency	Resistive load	500 Hz Max.
	Inductive load	See the switching inductive load characteristics (see page 147).
Isolation	Between input and internal bus	See note ¹
	Between channels	Not isolated
* Refer to De-rating curve of the TM5SDO8TA (see page 146)		

¹ The isolation of the electronic module is 500 Vac RMS between the electronics powered by the TM5 bus and those powered by 24 Vdc I/O power segment connected to the module. In practice, the TM5 electronic module is installed in the bus base, and there is a bridge between the TM5 power bus and the 24 Vdc I/O power segment. The two power circuits reference the same functional ground (FE) through specific components designed to reduce effects of electromagnetic interference. These components are rated at 30 Vdc or 60 Vdc. This effectively reduces isolation of the entire system from the 500 Vac RMS.

De-rating of the TM5SDO8TA

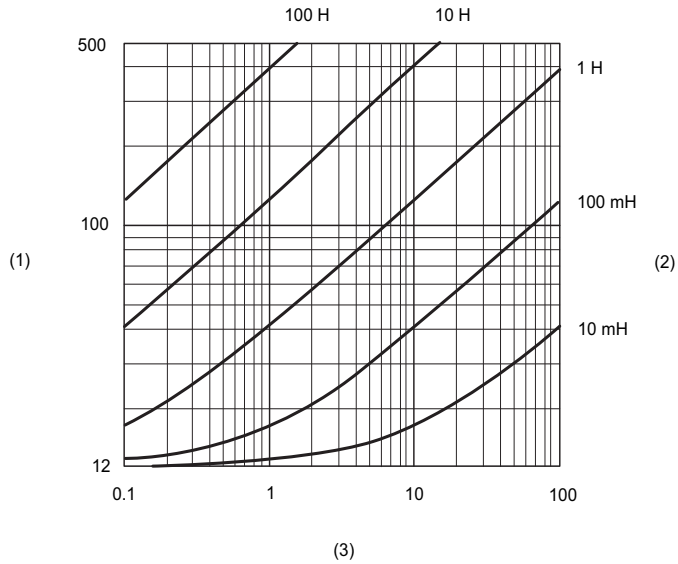
It is possible to obtain the 2 A rating by observing temperature restrictions. Refer to the de-rating graph below. If the modules adjacent to the TM5SDO8TA dissipate no more than 1 W, this graph applies and 2 A / output can be maintained at 35 °C (95 °F).



If the dissipation restriction of adjacent modules is not possible in your configuration, the de-rating must shift by -5 °C (- 9 °F), and 2 A / output can be maintained at 30 °C (86 °F). In most industrial applications, this would require the module to be in an air conditioned enclosure to maintain such temperatures.

Switching Inductive Loads

The curves below provide the switching inductive load characteristics for the TM5SDO8TA electronic module.



- 1 Coil resistance in Ω
- 2 Coil inductance
- 3 Max. operating cycles / second

 **WARNING**

POTENTIAL EXPLOSION OR FIRE

Connect the returns from the devices to the same power source as the 24 Vdc I/O power segment serving the module.

Failure to follow these instructions can result in death, serious injury, or equipment damage.

 **WARNING**

UNINTENDED EQUIPMENT OPERATION

Do not connect wires to unused terminals and/or terminals indicated as “No Connection (N.C.)”.

Failure to follow these instructions can result in death, serious injury, or equipment damage.

Refer to Protecting Outputs from Inductive Load Damage for additional important information on this topic.

Chapter 17

TM5SDO12T Electronic Module 12DO 24 Vdc Tr 0.5 A 1 Wire

What Is in This Chapter?

This chapter contains the following topics:

Topic	Page
TM5SDO12T Presentation	152
TM5SDO12T Characteristics	154
TM5SDO12T Wiring Diagram	157

TM5SDO12T Presentation

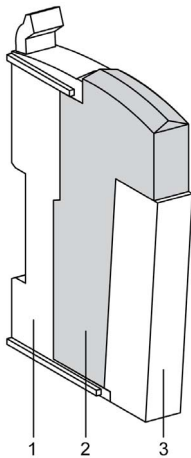
Main Characteristics

The table below describes the main characteristics of the TM5SDO12T electronic module:

Main Characteristics	
Number of output channels	12
Output type	Transistor
Signal type	Source
Rated input voltage	24 Vdc
Output current	0.5 A max.

Ordering Information

The following illustration shows the TM5SDO12T:



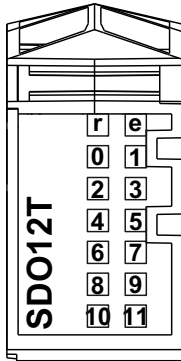
The table below shows the model numbers for the terminal block and the bus bases associated with the TM5SDO12T:

Number	Model Number	Description	Color
1	TM5ACBM11 or TM5ACBM15	Bus base Bus base with address setting	White White
2	TM5SDO12T	Electronic Module	White
3	TM5ACTB12	Terminal block, 12 pins	White

NOTE: For more information, refer to *TM5 bus bases and terminal blocks*.

Status LEDs

The following illustration shows LEDs for TM5SDO12T:



The table below shows the TM5SDO12T status LEDs:

LEDs	Color	Status	Description
r	Green	Off	No power supply
		Single Flash	Reset state
		Flashing	Preoperational state
		On	Normal operation
e	Red	Off	OK or no power supply
		Single flash	Error detected on output channels ⁽¹⁾
e+r	Steady Red / Single Green flash		Invalid firmware
0 - 11	Yellow	Off	Corresponding output deactivated
		On	Corresponding output activated
NOTE:			
⁽¹⁾ The e LED flashes when detecting one of the following errors on output channels:			
<ul style="list-style-type: none"> ● Short circuit ● Overload ● No I/O supply but the TM5 bus still powered and the output is activated 			

TM5SDO12T Characteristics

Introduction

This is the description characteristics for the TM5SDO12T electronic module.

See also Environmental Characteristics (*see page 27*).

DANGER

FIRE HAZARD

Use only the correct wire sizes for the maximum current capacity of the I/O channels and power supplies.

Failure to follow these instructions will result in death or serious injury.

WARNING

UNINTENDED EQUIPMENT OPERATION

Do not exceed any of the rated values specified in the environmental and electrical characteristics tables.

Failure to follow these instructions can result in death, serious injury, or equipment damage.

General Characteristics

The table below describes the general characteristics of the TM5SDO12T electronic module:

General Characteristics	
Rated power supply voltage	24 Vdc
Power supply source	Connected to the 24 Vdc I/O power segment
Power supply range	20.4...28.8 Vdc
24 Vdc I/O segment current draw	48 mA
TM5 bus 5 Vdc current draw	52 mA
Power dissipation	2.04 W max.
Weight	25 g (0.9 oz)
ID code for firmware update	7066 dec

Output Characteristics

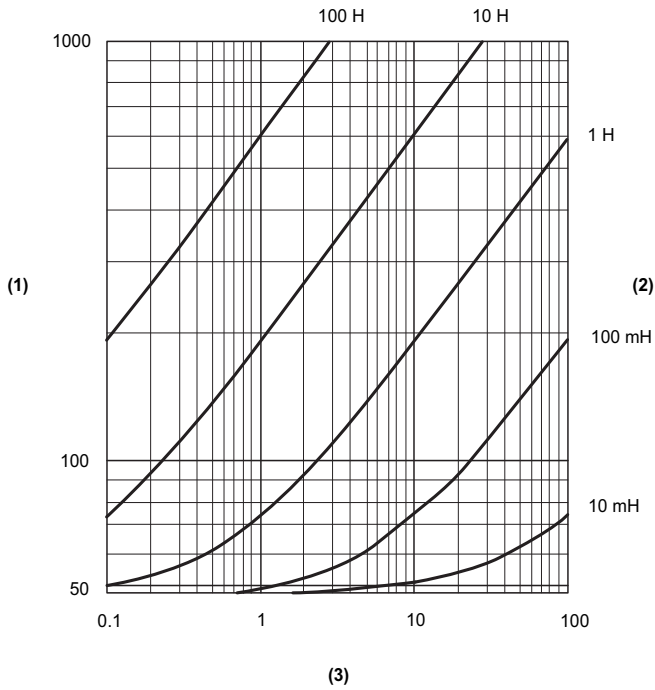
The table below describes the output characteristics of the TM5SDO12T electronic module:

Output Characteristics		
Output channels		12
Wiring type		1 wire
Output current		0.5 A max. per output
Total output current		6 A max.
Output voltage		24 Vdc
Output voltage range		20.4...28.8 Vdc
De-rating	55...60 °C (131...140 °C)	I = 0.4 A max. by channel
Voltage drop		0.3 Vdc max. at 0.5 A rated current
Leakage current when switched off		5 µA
Turn on time		300 µs max.
Turn off time		300 µs max.
Output protection		Against short-circuit and overload, thermal protection
Short circuit output peak current		12 A max.
Automatic rearming after short circuit or overload		Yes, 10 ms min. depending on internal temperature
Protection against reverse polarity		Yes
Clamping voltage		Typ. 50 Vdc
Switching frequency	Resistive load	500 Hz Max.
	Inductive load	See the switching inductive load characteristics (<i>see page 156</i>).
Isolation	Between input and internal bus	See note ¹
	Between channels	Not isolated

¹ The isolation of the electronic module is 500 Vac RMS between the electronics powered by the TM5 bus and those powered by 24 Vdc I/O power segment connected to the module. In practice, the TM5 electronic module is installed in the bus base, and there is a bridge between the TM5 power bus and the 24 Vdc I/O power segment. The two power circuits reference the same functional ground (FE) through specific components designed to reduce effects of electromagnetic interference. These components are rated at 30 Vdc or 60 Vdc. This effectively reduces isolation of the entire system from the 500 Vac RMS.

Switching Inductive Loads

The curves below provide the switching inductive load characteristics for the TM5SDO12T electronic module.

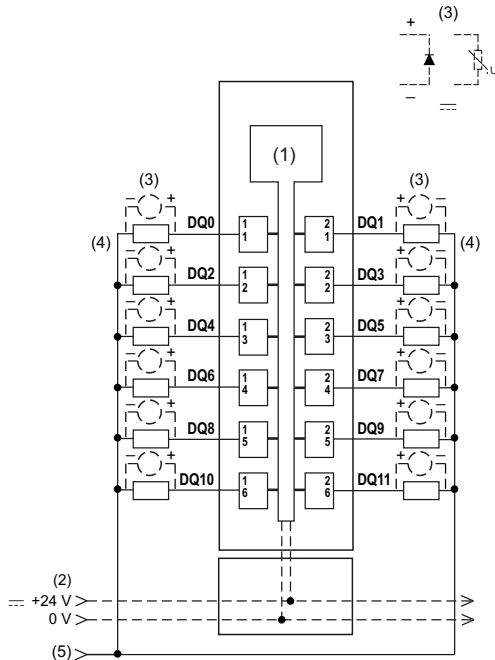


- 1 Load resistance in Ω
- 2 Load inductance
- 3 Max. operating cycles / second

TM5SDO12T Wiring Diagram

Wiring Diagram

The following illustration shows the wiring diagram for the TM5SDO12T:



- 1 Internal electronics
- 2 24 Vdc I/O power segment integrated into the bus bases
- 3 Inductive load protection
- 4 2-wire load
- 5 0 Vdc I/O power segment by external connection

NOTE: I/O electronic modules and the field devices connected to them must all reside on the same 24 Vdc I/O power segment. If not, the status LEDs may not function correctly. In addition, there may potentially be more significant consequences such as an explosion and/or fire hazard.

WARNING

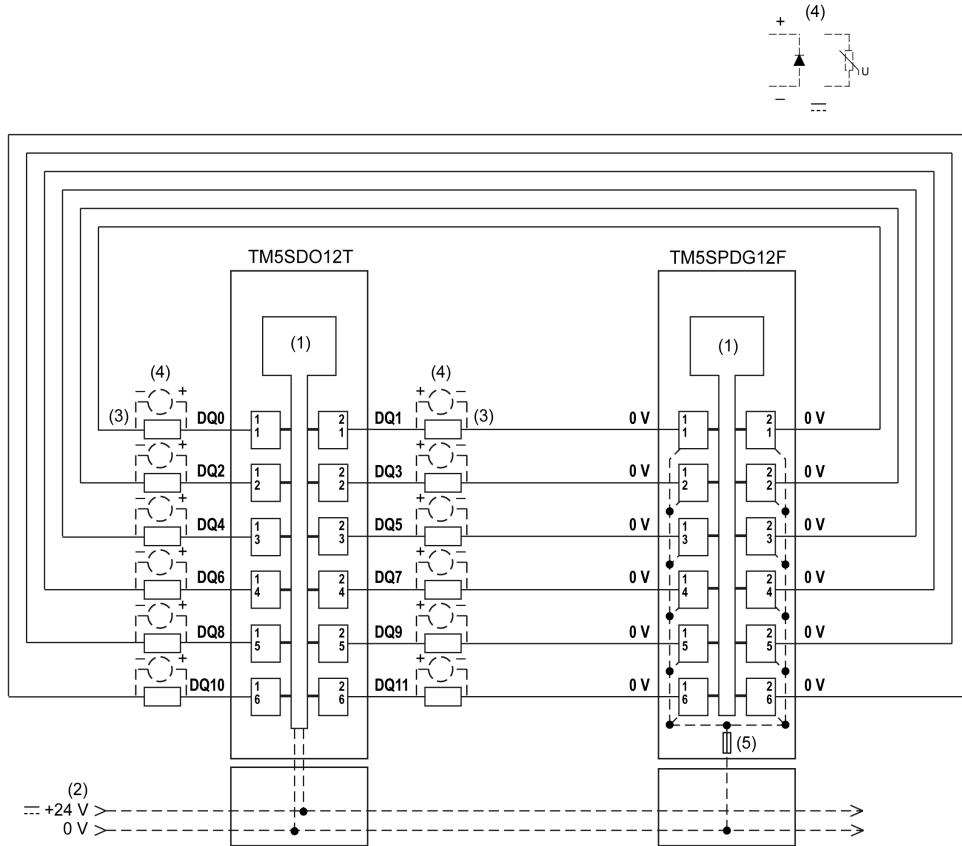
POTENTIAL EXPLOSION OR FIRE

Connect the returns from the devices to the same power source as the 24 Vdc I/O power segment serving the module.

Failure to follow these instructions can result in death, serious injury, or equipment damage.

The 12-output TM5SDO12T electronic module can independently support 1-wire devices. To connect 2-wire devices, you can add a TM5SPDG12F Common Distribution module.

The following illustration shows the wiring diagram for the TM5SPDG12F and TM5SDO12T:



- 1 Internal electronics
- 2 24 Vdc I/O power segment integrated into the bus bases
- 3 2-wire load
- 4 Inductive load protection
- 5 Integrated fuse type T slow-blow 6.3 A 250 V exchangeable

⚠ WARNING

UNINTENDED EQUIPMENT OPERATION

Do not connect wires to unused terminals and/or terminals indicated as “No Connection (N.C.)”.

Failure to follow these instructions can result in death, serious injury, or equipment damage.

Chapter 18

TM5SDO16T Electronic Module 16DO 24 Vdc Tr 0.5 A 1 Wire

What Is in This Chapter?

This chapter contains the following topics:

Topic	Page
TM5SDO16T Presentation	160
TM5SDO16T Characteristics	162
TM5SDO16T Wiring Diagram	166

TM5SDO16T Presentation

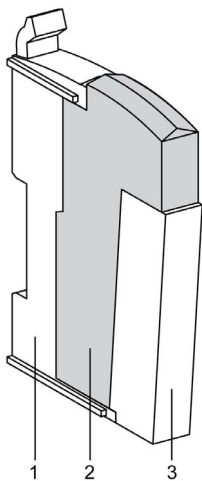
Main Characteristics

The table below describes the main characteristics of the TM5SDO16T electronic module:

Main Characteristics	
Number of output channels	16
Output type	Transistor
Signal type	Source
Rated input voltage	24 Vdc
Output current	0.5 A max.

Ordering Information

The following illustration shows the TM5SDO16T:



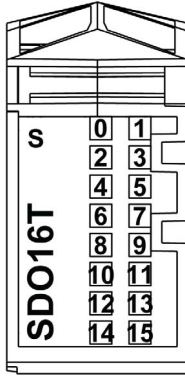
The table below shows the model numbers for the terminal block and the bus bases associated with the TM5SDO16T:

Number	Model Number	Description	Color
1	TM5ACBM11	Bus base	White White
2	TM5SDO16T	Electronic Module	White
3	TM5ACTB16	Terminal block, 16 pins	White

NOTE: For more information, refer to *TM5 bus bases and terminal blocks*.

Status LEDs

The following illustration shows LEDs for TM5SDO16T:



The table below shows the TM5SDO16T status LEDs:

LEDs	Color	Status	Description
s	Green	Off	No power supply
		Single Flash	Reset state
		Flashing	Preoperational state
		On	Normal operation
	Red	Off	OK or no power supply
		Single flash	Error detected on output channels ⁽¹⁾
Steady Red / Single Green flash		Invalid firmware	
0 - 15	Yellow	Off	Corresponding output deactivated
		On	Corresponding output activated

NOTE:

⁽¹⁾ When the diagnostic of the outputs is activated, the s LED flashes when detecting one of the following errors on output channels:

- Short -circuit
- Overload
- Status of output not corresponding to the command status

TM5SDO16T Characteristics

Introduction

This is the description characteristics for the TM5SDO16T electronic module.

See also Environmental Characteristics (*see page 27*).

DANGER

FIRE HAZARD

Use only the correct wire sizes for the maximum current capacity of the I/O channels and power supplies.

Failure to follow these instructions will result in death or serious injury.

WARNING

UNINTENDED EQUIPMENT OPERATION

Do not exceed any of the rated values specified in the environmental and electrical characteristics tables.

Failure to follow these instructions can result in death, serious injury, or equipment damage.

General Characteristics

The table below describes the general characteristics of the TM5SDO16T electronic module:

General Characteristics	
Rated power supply voltage	24 Vdc
Power supply source	Connected to the 24 Vdc I/O power segment
Power supply range	20.4...28.8 Vdc
24 Vdc I/O segment current draw	40 mA
TM5 bus 5 Vdc current draw	56 mA
Power dissipation	1.79 W max.
Weight	24 g (0.8 oz)
ID code for firmware update	56839 dec

Output Characteristics

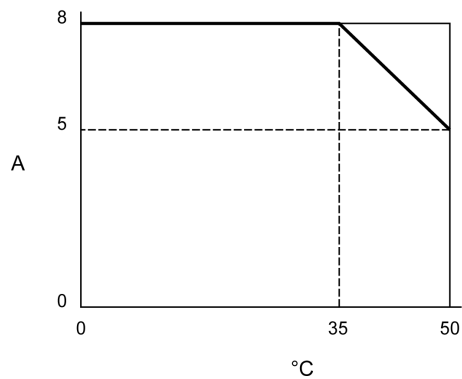
The table below describes the output characteristics of the TM5SDO16T electronic module:

Output Characteristics		
Output channels		16
Wiring type		1 wire
Output current		0.5 A max. per output
Total output current		8 A max.
Output voltage		24 Vdc
Output voltage range		20.4...28.8 Vdc
De-rating		See section Current de-rating
Voltage drop		0.1 Vdc max. at 0.5 A rated current
Leakage current when switched off		5 μ A
Turn on time		300 μ s max.
Turn off time		300 μ s max.
Output diagnostic		Output monitoring with 10 ms delay, the function is activated or deactivated by software.
Output protection		Against short-circuit and overload, thermal protection
Short -circuit output peak current		3 A max.
Automatic rearming after short -circuit or overload		Yes, 10 ms min. depending on internal temperature
Protection against reverse polarity		Yes
Clamping voltage		Typ. 45 Vdc
Switching frequency	Resistive load	500 Hz Max.
	Inductive load	See the switching inductive load characteristics (<i>see page 156</i>).
Isolation	Between input and internal bus	See note ¹
	Between channels	Not isolated

¹ The isolation of the electronic module is 500 Vac RMS between the electronics powered by the TM5 bus and those powered by 24 Vdc I/O power segment connected to the module. In practice, the TM5 electronic module is installed in the bus base, and there is a bridge between the TM5 power bus and the 24 Vdc I/O power segment. The two power circuits reference the same functional ground (FE) through specific components designed to reduce effects of electromagnetic interference. These components are rated at 30 Vdc or 60 Vdc. This effectively reduces isolation of the entire system from the 500 Vac RMS.

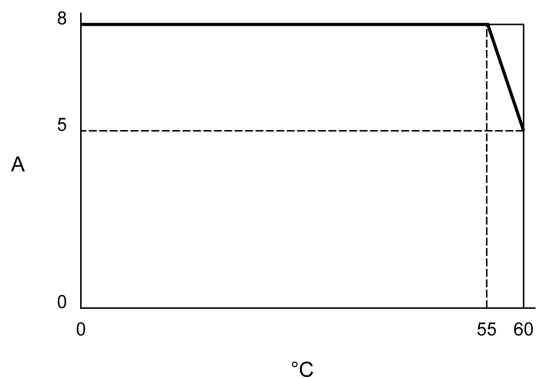
Current de-rating

The following illustration shows the current de-rating in vertical installation:



A Total current
°C Ambient temperature

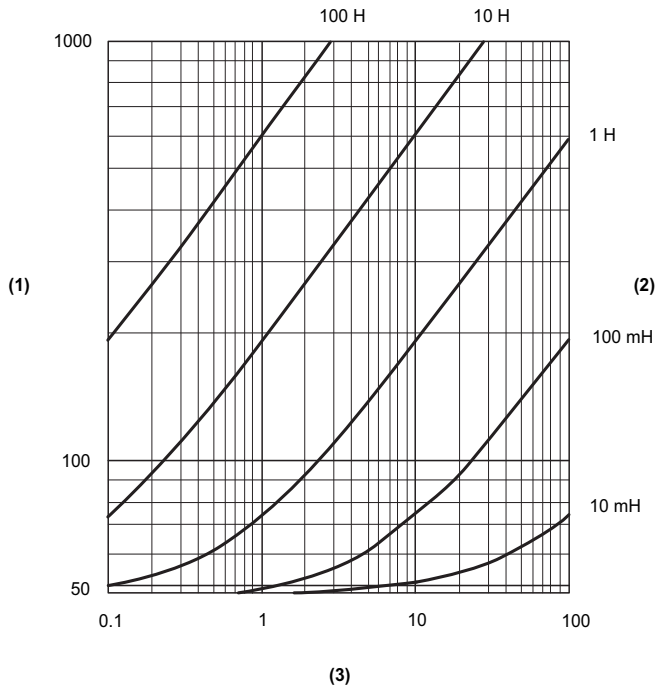
The following illustration shows the current de-rating in horizontal installation:



A Total current
°C Ambient temperature

Switching Inductive Loads

The curves below provide the switching inductive load characteristics for the TM5SDO16T electronic module.

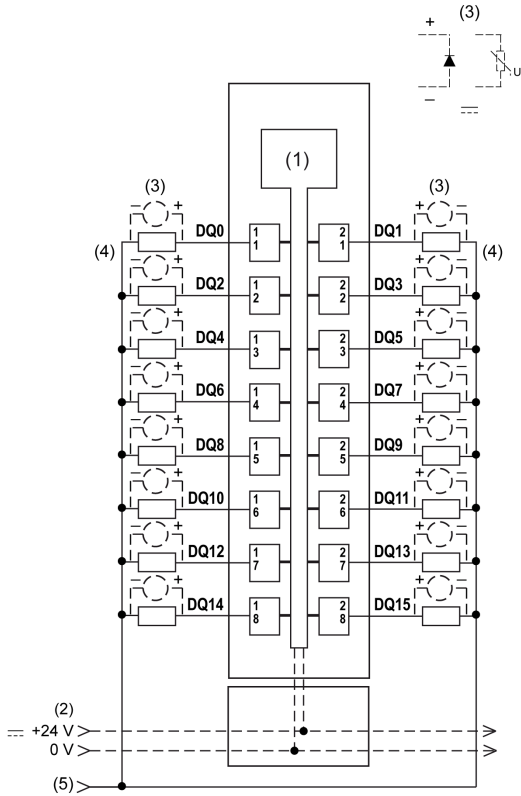


- 1 Load resistance in Ω
- 2 Load inductance
- 3 Max. operating cycles / second

TM5SDO16T Wiring Diagram

Wiring Diagram

The following illustration shows the wiring diagram for the TM5SDO16T:



- 1 Internal electronics
- 2 24 Vdc I/O power segment integrated into the bus bases
- 3 Inductive load protection
- 4 2-wire load
- 5 0 Vdc I/O power segment by external connection

NOTE: I/O electronic modules and the field devices connected to them must all reside on the same 24 Vdc I/O power segment. If not, the status LEDs may not function correctly. In addition, there may potentially be more significant consequences such as an explosion and/or fire hazard.

 **WARNING**

POTENTIAL EXPLOSION OR FIRE

Connect the returns from the devices to the same power source as the 24 Vdc I/O power segment serving the module.

Failure to follow these instructions can result in death, serious injury, or equipment damage.

 **WARNING**

UNINTENDED EQUIPMENT OPERATION

Do not connect wires to unused terminals and/or terminals indicated as “No Connection (N.C.)”.

Failure to follow these instructions can result in death, serious injury, or equipment damage.

Chapter 19

TM5SDO2R Electronic Module 2DO 30 Vdc/230 Vac 50/60 Hz 5A Relay C/O

What Is in This Chapter?

This chapter contains the following topics:

Topic	Page
TM5SDO2R Presentation	170
TM5SDO2R Characteristics	172
TM5SDO2R Wiring Diagram	175

TM5SDO2R Presentation

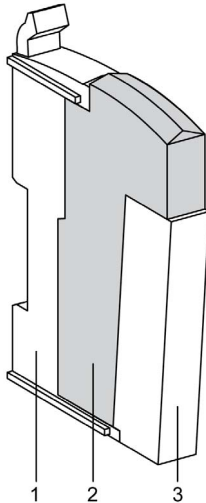
Main Characteristics

The table below describes the main characteristics of the TM5SDO2R electronic module:

Main Characteristics	
Number of output channels	2
Output type	Relay
Rated input voltage	30 Vdc / 230 Vac
Output current	5 A max.

Ordering Information

The following illustration shows the TM5SDO2R:



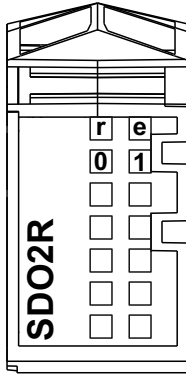
The table below shows the model numbers for the terminal block and the bus bases associated with the TM5SDO2R:

Number	Model Number	Description	Color
1	TM5ACBM12	Bus base	Black
2	TM5SDO2R	Electronic Module	Black
3	TM5ACTB32	Terminal block, 12 pins	Black

NOTE: For more information, refer to *TM5 bus bases and terminal blocks*.

Status LEDs

The following illustration shows LEDs for TM5SDO2R:



The table below shows the TM5SDO2R status LEDs:

LEDs	Color	Status	Description
r	Green	Off	No power supply
		Single Flash	Reset state
		Flashing	Preoperational state
		On	Normal operation
e	Red	Off	OK or no power supply
		On	Error detected or reset state
e+r	Steady Red / Single Green flash		Invalid firmware
0 - 1	Yellow	Off	Corresponding output deactivated
		On	Corresponding output activated

TM5SDO2R Characteristics

Introduction

This is the description characteristics for the TM5SDO2R electronic module.

See also Environmental Characteristics (*see page 27*).

DANGER

FIRE HAZARD

Use only the correct wire sizes for the maximum current capacity of the I/O channels and power supplies.

Failure to follow these instructions will result in death or serious injury.

WARNING

UNINTENDED EQUIPMENT OPERATION

Do not exceed any of the rated values specified in the environmental and electrical characteristics tables.

Failure to follow these instructions can result in death, serious injury, or equipment damage.

General Characteristics

The table below describes the general characteristics of the TM5SDO2R electronic module:

General Characteristics	
Rated power supply voltage	30 Vdc / 230 Vac
Power supply source	Connected to the external AC or DC power
Power supply range	24 Vdc...36 Vdc 184 Vac...276 Vac
24 Vdc I/O segment current draw	0 mA (N.C.)
TM5 bus 5 Vdc current draw	90 mA
Power dissipation	2.45 W max.
Weight	25 g (0.9 oz.)
ID code for firmware update	8410 dec

Output Characteristics

The table below describes the output characteristics of the TM5SDO2R electronic module:

Output Characteristics		
Output channels		2
Wiring type		2 (C/O) contacts
Output current		5 A max. per output at 30 Vdc 5 A max. per output at 230 Vac
Total output current		10 A max. at 30 Vdc 10 A max. at 230 Vac
Output voltage		30 Vdc / 230 Vac
Output voltage range		24 Vdc...36 Vdc 184 Vac...276 Vac
De-rating	55...60 °C (131...140 °F)	I = 3 A max. by channel
Turn on time		10 ms max.
Turn off time		10 ms max.
Protective circuit	Internal	None
	External DC AC	Inverse diode, RC combination or VDR RC combination or VDR
Automatic rearming after short -circuit or overload		Yes, 10 ms min. depending on internal temperature
Switching capacity	Minimum	10 mA at 5 Vdc
	Maximum	180 W / 1500 VA
Protection against reverse polarity		Yes
Isolation	Between channels and bus	See note ¹
	Between channels	Not isolated
Mechanical durability		Typically 2x10 ⁷ cycles or more

¹ The isolation of the electronic module is 500 Vac RMS between the electronics powered by the TM5 bus and those powered by 24 Vdc I/O power segment connected to the module. In practice, the TM5 electronic module is installed in the bus base, and there is a bridge between the TM5 power bus and the 24 Vdc I/O power segment. The two power circuits reference the same functional ground (FE) through specific components designed to reduce effects of electromagnetic interference. These components are rated at 30 Vdc or 60 Vdc. This effectively reduces isolation of the entire system from the 500 Vac RMS.

If your controller or module contains relay outputs, these types of outputs can support up to 240 Vac. Inductive damage to these types of outputs can result in welded contacts and loss of control. Each inductive load must include a protection device such as a peak limiter, RC circuit or flyback diode. Capacitive loads are not supported by these relays.

⚠ WARNING

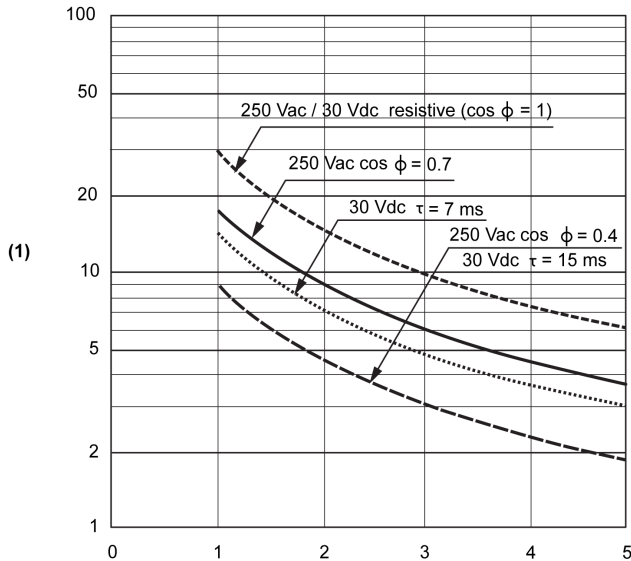
RELAY OUTPUTS WELDED CLOSED

- Always protect relay outputs from inductive alternating current load damage using an appropriate external protective circuit or device.
- Do not connect relay outputs to capacitive loads.

Failure to follow these instructions can result in death, serious injury, or equipment damage.

Electric Durability

The curves below provide the expected life of the relay contacts for the TM5SDO2R electronic module.



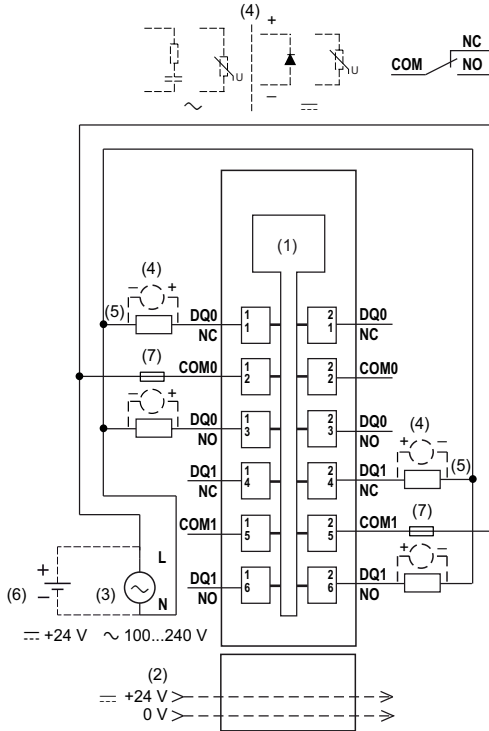
(2)

- 1 Switching procedures ($\times 10^4$)
- 2 Switching current in A

TM5SDO2R Wiring Diagram

Wiring Diagram

The following illustration shows the wiring diagram for TM5SDO2R:



- 1 Internal electronics
- 2 24 Vdc I/O power segment integrated into the bus bases
- 3 External power supply 100...240 Vac
- 4 Inductive load protection
- 5 2-wire load
- 6 External power supply 24 Vdc
- 7 External fuse type T slow-blow 5 A - 250 V

⚠ WARNING

UNINTENDED EQUIPMENT OPERATION

Do not connect wires to unused terminals and/or terminals indicated as “No Connection (N.C.)”.

Failure to follow these instructions can result in death, serious injury, or equipment damage.

Chapter 20

TM5SDO4R Electronic Module 4DO 30 Vdc/230 Vac 50/60 Hz 5 A Relay N/O

What Is in This Chapter?

This chapter contains the following topics:

Topic	Page
TM5SDO4R Presentation	178
TM5SDO4R Characteristics	180
TM5SDO4R Wiring Diagram	183

TM5SDO4R Presentation

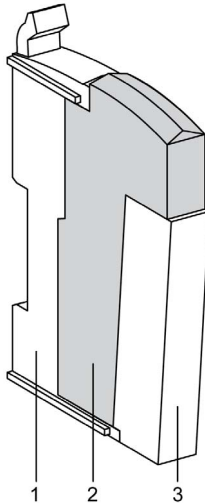
Main Characteristics

The table below describes the main characteristics of the TM5SDO4R electronic module:

Main Characteristics	
Number of output channels	4
Output type	Relay
Rated input voltage	30 Vdc / 230 Vac
Output current	5 A max.

Ordering Information

The following illustration shows the TM5SDO4R:



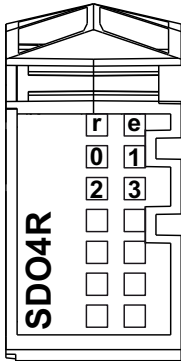
The table below shows the model numbers for the terminal blocks and the bus bases associated with the TM5SDO4R:

Number	Model Number	Description	Color
1	TM5ACBM12	Bus base	Black
2	TM5SDO4R	Electronic Module	Black
3	TM5ACTB32	Terminal block, 12 pins	Black

NOTE: For more information, refer to *TM5 bus bases and terminal blocks*.

Status LEDs

The following illustration shows LEDs for TM5SDO4R:



The table below shows the TM5SDO4R status LEDs:

LEDs	Color	Status	Description
r	Green	Off	No power supply
		Single Flash	Reset state
		Flashing	Preoperational state
		On	Normal operation
e	Red	Off	OK or no power supply
		On	Error detected or reset state
e+r	Steady Red / Single Green flash		Invalid firmware
0 - 3	Yellow	Off	Corresponding output deactivated
		On	Corresponding output activated

TM5SDO4R Characteristics

Introduction

This is the description characteristics for the TM5SDO4R electronic module.

See also Environmental Characteristics (*see page 27*).

DANGER

FIRE HAZARD

Use only the correct wire sizes for the maximum current capacity of the I/O channels and power supplies.

Failure to follow these instructions will result in death or serious injury.

WARNING

UNINTENDED EQUIPMENT OPERATION

Do not exceed any of the rated values specified in the environmental and electrical characteristics tables.

Failure to follow these instructions can result in death, serious injury, or equipment damage.

General Characteristics

The table below describes the general characteristics of the TM5SDO4R electronic module:

General Characteristics	
Rated power supply voltage Power supply source	30 Vdc / 230 Vac Connected to an external AC or DC power
Power supply range	24 Vdc ... 36 Vdc 184 Vac ... 276 Vac
24 Vdc I/O segment current draw	0 mA (N.C.)
TM5 bus 5 Vdc current draw	160 mA
Power dissipation	2.30 W max.
Weight	30 g (1.1 oz)
ID code for firmware update	42756 dec

Output Characteristics

The table below describes the output characteristics of the TM5SDO4R electronic module:

Output Characteristics		
Output channels		4
Wiring type		4 (C/O) contacts
Output current		5 A max. per output at 30 Vdc 5 A max. per output at 230 Vac
Total output current		10 A max. at 30 Vdc 10 A max. at 230 Vac
Output voltage		30 Vdc / 230 Vac
Output voltage range		24 Vdc ... 36 Vdc 184 Vac ... 276 Vac
Turn on time		10 ms max.
Turn off time		10 ms max.
Protective circuit	Internal	None
	External DC AC	Inverse diode, RC combination or VDR RC combination or VDR
Automatic rearming after short-circuit or overload		Yes, 10 ms min. depending on internal temperature
Switching capacity	Minimum	10 mA at 5 Vdc
	Maximum	150 W / 1250 VA
Protection against reverse polarity		Yes
Isolation	Between channels and bus	See note ¹
	Between outputs	Not isolated
Mechanical durability		Typically 2×10^7 cycles or more

¹ The isolation of the electronic module is 500 Vac RMS between the electronics powered by the TM5 bus and those powered by 24 Vdc I/O power segment connected to the module. In practice, the TM5 electronic module is installed in the bus base, and there is a bridge between the TM5 power bus and the 24 Vdc I/O power segment. The two power circuits reference the same functional ground (FE) through specific components designed to reduce effects of electromagnetic interference. These components are rated at 30 Vdc or 60 Vdc. This effectively reduces isolation of the entire system from the 500 Vac RMS.

If your controller or module contains relay outputs, these types of outputs can support up to 240 Vac. Inductive damage to these types of outputs can result in welded contacts and loss of control. Each inductive load must include a protection device such as a peak limiter, RC circuit or flyback diode. Capacitive loads are not supported by these relays.

⚠ WARNING

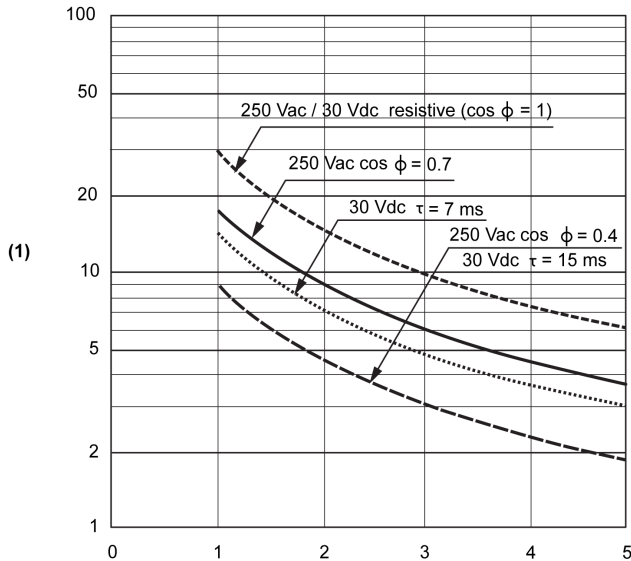
RELAY OUTPUTS WELDED CLOSED

- Always protect relay outputs from inductive alternating current load damage using an appropriate external protective circuit or device.
- Do not connect relay outputs to capacitive loads.

Failure to follow these instructions can result in death, serious injury, or equipment damage.

Electric Durability

The curves below provide the expected life of the relay contacts for the TM5SDO2R electronic module.



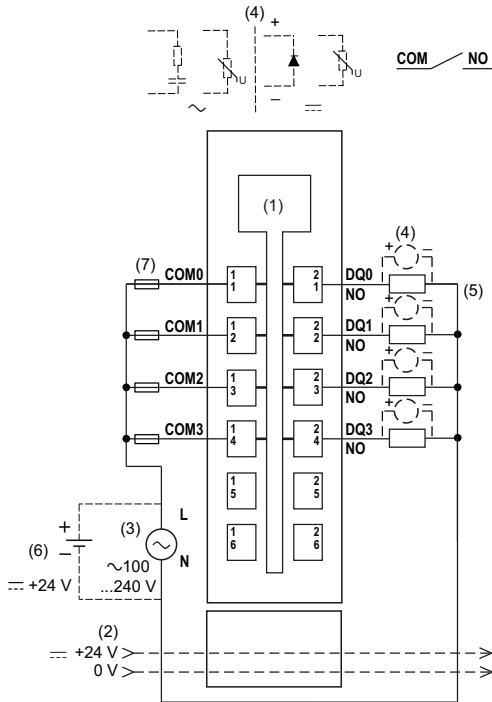
(2)

- 1 Switching procedures ($\times 10^4$)
- 2 Switching current in A

TM5SDO4R Wiring Diagram

Wiring Diagram

The following illustration shows the wiring diagram for TM5SDO4R:



- 1 Internal electronics
- 2 24 Vdc I/O power segment integrated into the bus bases
- 3 External power supply 100...240 Vac
- 4 Inductive load protection
- 5 2-wire load
- 6 External power supply 24 Vdc
- 7 External fuse type T slow-blow 5 A - 250 V

⚠ WARNING

UNINTENDED EQUIPMENT OPERATION

Do not connect wires to unused terminals and/or terminals indicated as "No Connection (N.C.)".

Failure to follow these instructions can result in death, serious injury, or equipment damage.

Chapter 21

TM5SDO2S Electronic Module 2DO 240 Vac 50/60 Hz Triac 1 A 3 Wires

What Is in This Chapter?

This chapter contains the following topics:

Topic	Page
TM5SDO2S Presentation	186
TM5SDO2S Characteristics	188
TM5SDO2S Wiring Diagram	190

TM5SDO2S Presentation

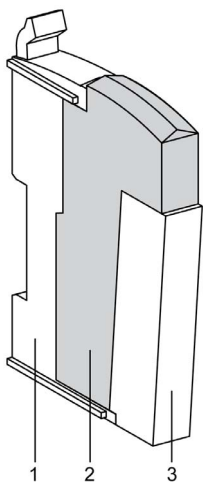
Main Characteristics

The table below describes the main characteristics of the TM5SDO2S electronic module:

Main Characteristics	
Number of output channels	2
Output type	Triac
Signal type	Source
Rated output voltage	100...240 Vac
Output current	1 A max.

Ordering Information

The following illustration shows the TM5SDO2S:



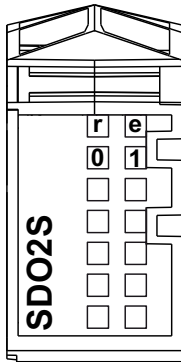
The table below shows the model numbers for the terminal block and the bus base associated with the TM5SDO2S:

Number	Model Number	Description	Color
1	TM5ACBM12	Bus base	Black
2	TM5SDO2S	Electronic Module	Black
3	TM5ACTB32	Terminal block, 12 pins	Black

NOTE: For more information, refer to *TM5 bus bases and terminal blocks*.

Status LEDs

The following illustration shows LEDs for TM5SDO2S:



The table below shows the TM5SDO2S diagnostic LEDs:

LEDs	Color	Status	Description
r	Green	Off	No external power supply
		Single Flash	Reset state
		Flashing	Preoperational state
		On	Normal operation
e	Red	Off	OK or no external power supply
		On	Error detected or reset state
		Single flash	Zero cross-over signal has dropped out. ¹
e+r	Steady Red / Single Green flash		Invalid firmware
0 - 1	Yellow	Off	Corresponding output deactivated
		On	Corresponding output activated

¹ Zero cross-over detection is activated at the first zero crossover after being switched on .

TM5SDO2S Characteristics

Introduction

This is the description characteristics for TM5SDO2S electronic module.

See also Environmental Characteristics (*see page 27*).

DANGER

FIRE HAZARD

Use only the correct wire sizes for the maximum current capacity of the I/O channels and power supplies.

Failure to follow these instructions will result in death or serious injury.

WARNING

UNINTENDED EQUIPMENT OPERATION

Do not exceed any of the rated values specified in the environmental and electrical characteristics tables.

Failure to follow these instructions can result in death, serious injury, or equipment damage.

General Characteristics

The table below describes the general characteristics of the TM5SDO2S electronic module:

Electrical Characteristics	
Rated power supply voltage	100...240 Vac
Power supply source	Connected to the external AC power
Power supply range	80...264 Vac
24 Vdc I/O segment current draw	–
TM5 bus 5 Vdc current draw	70 mA
Power dissipation	2.13 W max.
Weight	25 g (0.9 oz)
ID code for firmware update	9851 dec

Output Characteristics

The table below describes the output characteristics of the TM5SDO2S electronic module:

Output Characteristics		
Output channels	2	
Wiring type	2 or 3 wires	
Output current	1 A max. per output	
Total output current	1 A max.	
Output voltage	100...240 Vac	
Output voltage range	80...264 Vac	
De-rating	- 10...55 °C (14...131 °F)	I = 1 A max. by channel
	55...60 °C (131...140 °F)	I = 0.3 A max. by channel
Voltage drop	1.5 V _{RMS}	
Leakage current	10 mA max. at 240V _{RMS}	
Turn on time	11 ms max. at 50 Hz and 9.3 ms max. at 60 Hz	
Turn off time	11 ms max. at 50 Hz and 9.3 ms max. at 60 Hz	
Zero cross-over switches	Yes	
Over voltage protection between L and N	Yes	
Surge current	40 A for 20 ms max. and 10 A for 1 s max.	
Automatic rearming after short circuit or overload	Yes, 10 ms min. depending on internal temperature	
Isolation	Between output and internal bus	2500 Vac after 1 minute
	Between channels	Not isolated

Actuator Supply

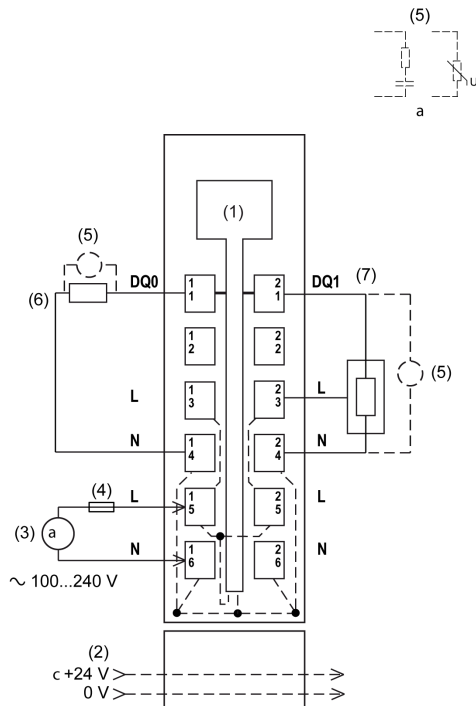
The table below describes the actuator supply of the TM5SDO2S electronic module:

Supply	
Voltage	External power supply.
Voltage drop for internal protection at 500 mA	1.5 V _{RMS} max.

TM5SDO2S Wiring Diagram

Wiring Diagram

The following illustration shows the wiring diagram for TM5SDO2S:



- 1 Internal electronics
- 2 24 Vdc I/O power segment integrated into the bus bases
- 3 External power supply 100...240 Vac
- 4 External fuse type T slow-blow 3.15 A - 250 V
- 5 Inductive load protection
- 6 2-wire load
- 7 3-wire load

⚠ WARNING

UNINTENDED EQUIPMENT OPERATION

Do not connect wires to unused terminals and/or terminals indicated as "No Connection (N.C.)".

Failure to follow these instructions can result in death, serious injury, or equipment damage.

 **WARNING**

UNINTENDED EQUIPMENT OPERATION

Use the sensor and actuator power supply only for supplying power to sensors or actuators connected to the module.

Failure to follow these instructions can result in death, serious injury, or equipment damage.

Refer to Protecting Outputs from Inductive Load Damage for additional important information on this topic.

Part IV

TM5 System Digital Mixed Input/Output

What Is in This Part?

This part contains the following chapters:

Chapter	Chapter Name	Page
22	TM5SDM8DTS Electronic Module 4DI/4DO 24 Vdc Tr 0.1 A 1 Wire	195
23	TM5SDM12DT Electronic Module 8DI/4DO 24 Vdc Tr 0.5 A 1 Wire	205
24	TM5SMM6D2L Electronic Module 4DI/2DO 24Vdc Tr 0.5A / 1AI/1AO $\pm 10V/0-20mA$ 12 Bits	215

Chapter 22

TM5SDM8DTS Electronic Module 4DI/4DO 24 Vdc Tr 0.1 A 1 Wire

What Is in This Chapter?

This chapter contains the following topics:

Topic	Page
TM5SDM8DTS Presentation	196
TM5SDM8DTS Characteristics	199
TM5SDM8DTS Wiring Diagram	203

TM5SDM8DTS Presentation

Overview

The TM5SDM8DTS electronic module has been designed for use with PacDrive 3 systems supporting TM5 Sercos III bus interface TM5NS31. You can configure the modules to support oversampled input and outputs or time stamped inputs and oversampled outputs. For more information, refer to the document *TM5SDM8DTS Parameter Description*.

The time stamped inputs of the TM5SDM8DTS electronic module are used by PacDrive 3 in support of the touchprobe functionality. Throughout the documentation, the time stamped inputs of this module are often referred to as touchprobe inputs.

Given that the TM5SDM8DTS electronic module has been designed and optimized exclusively for use with PacDrive 3 applications, certain product characteristics for this module differ from those of other TM5 modules.

For more information, see TM5SDM8DTS Characteristics (*see page 199*).

Main Characteristics

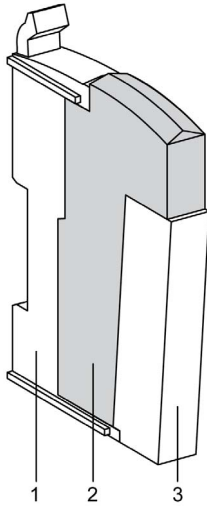
The table below describes the main characteristics of the TM5SDM8DTS electronic module:

Main characteristics	
Number of digital input channels (configurable as time stamped input or oversampled input)	4
Input type	Refer to the <i>Input Characteristics</i> table (<i>see page 200</i>).
Input signal type	Sink
Number of digital output channels (configurable as oversampled output)	4
Output type	Transistor
Output signal type	Source
Output current	0.1 A per output
Rated input voltage	24 Vdc

NOTE: Use the TM5SDM8DTS electronic module only with PacDrive 3 and TM5 Sercos III bus interface TM5NS31.

Ordering Information

The illustration below shows the TM5SDM8DTS:



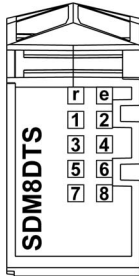
The table below shows the references for the terminal block and the bus bases associated with the TM5SDM8DTS:

Number	Reference	Description	Color
1	TM5ACBM11 or TM5ACBM15	Bus base Bus base with address setting	White White
2	TM5SDM8DTS	Electronic module	White
3	TM5ACTB12	Terminal block, 12 pins	White

NOTE: For more information, refer to *TM5 bus bases and terminal blocks*.

Status LEDs

The following illustration describes the LEDs for TM5SDM8DTS:



The table below shows the TM5SDM8DTS input status LEDs:

LED	Color	Status	Description
r	Green	Off	No power supply
		Single flash	Reset state
		Flashing	Preoperational state
		On	Normal operation
e	Red	Off	OK or no power supply
		On	Error detected or reset state
		Double flash	One of the following errors has been detected: <ul style="list-style-type: none"> ● Oversampled output control error ● Oversampled output copy error ● Edge detect poll cycle error ● Error on edge generator unit 1...4
1 - 8	Green		Status of the corresponding digital signal

TM5SDM8DTS Characteristics

Introduction

This is the description characteristics for the TM5SDM8DTS electronic module. See also Environmental Characteristics (*see page 27*).

DANGER

FIRE HAZARD

Use only the correct wire sizes for the maximum current capacity of the I/O channels and power supplies.

Failure to follow these instructions will result in death or serious injury.

WARNING

UNINTENDED EQUIPMENT OPERATION

Do not exceed any of the rated values specified in the environmental and electrical characteristics tables.

Failure to follow these instructions can result in death, serious injury, or equipment damage.

General Characteristics

The table below describes the general characteristics of the TM5SDM8DTS electronic module:

General characteristics	
Rated power supply voltage	24 Vdc
Power supply source	Connected to the 24 Vdc I/O power segment
Power supply range	20.4...28.8 Vdc
24 Vdc I/O segment current draw	62.5 mA
TM5 bus 5 Vdc current draw	2 mA
Power dissipation	1.51 W maximum
Weight	22 g (0.8 oz)
ID code for firmware update	43323 dec

Input Characteristics

The table describes the input characteristics of the TM5SDM8DTS electronic module:

Input characteristics		
Number of input channels		4 inputs
Wiring type		1 wire
Rated input voltage		24 Vdc
Input voltage range		20.4...28.8 Vdc
Rated input current at 24 Vdc		1.3 mA
Input impedance		18.4 kΩ
OFF state		< 5 Vdc
ON state		> 15 Vdc
Input circuit		Sink
Input frequency		40 kHz
Additional functions		<ul style="list-style-type: none"> ● 4x time stamping units with time stamp function ● 4x input oversampling
Input filter	Hardware	≥ 2 μs
	Software	–
Isolation	Between channels and bus	See note ¹
	Between channels	Not isolated

¹ The isolation of the electronic module is 500 Vac RMS between the electronics powered by the TM5 bus and those powered by 24 Vdc I/O power segment connected to the module. In practice, the TM5 electronic module is installed in the bus base, and there is a bridge between the TM5 power bus and the 24 Vdc I/O power segment. The two power circuits reference the same functional ground (FE) through specific components designed to reduce effects of electromagnetic interference. These components are rated at 30 Vdc or 60 Vdc. This effectively reduces isolation of the entire system from the 500 Vac RMS.

Output Characteristics

The table describes the output characteristics of the TM5SDM8DTS electronic module:

Output characteristics	
Output channels	4 outputs
Wiring type	1 wire
Output current	0.1 A maximum per output
Total output current	0.4 A
Output voltage	24 Vdc
Output voltage range	20.4...28.8 Vdc
Output circuit	Sink and/or source
Output protection	<ul style="list-style-type: none"> ● Thermal cutoff for overcurrent and short-circuit ● Integrated protection for switching inductances
Additional functions	<ul style="list-style-type: none"> ● 4x edge generation with μs precision ● 4x output oversampling
Voltage drop	< 0.9 V at 0.1 A rated current
Leakage current when switched off	max. 25 μA
Turn on time	< 2 μs
Turn off time	< 2 μs
Automatic rearming after short-circuit or overload	Yes, 10 ms min. depending on internal temperature

Time Stamping

The table describes the time stamping units characteristics of the TM5SDM8DTS electronic module:

Characteristics	
Number of time stamping units	4
Input frequency (maximum)	40 kHz
Resolution	1 μs time stamp function
Signal form	Square wave pulse
Sensor supply	Module-internal, maximum 600 mA

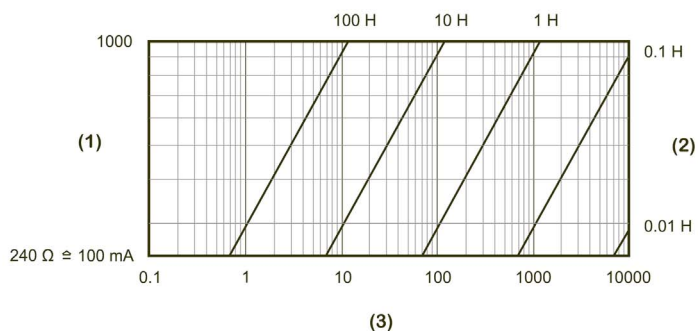
Oversampling

The table describes the oversampling characteristics of the TM5SDM8DTS electronic module:

Characteristics	
Number of oversampling units	4
Sample time	125 μ s, 250 μ s, 500 μ s depending on Sercos cycle time

Switching Inductive Loads

The curves below provide the switching inductive load characteristics for the TM5SDM8DTS electronic module.

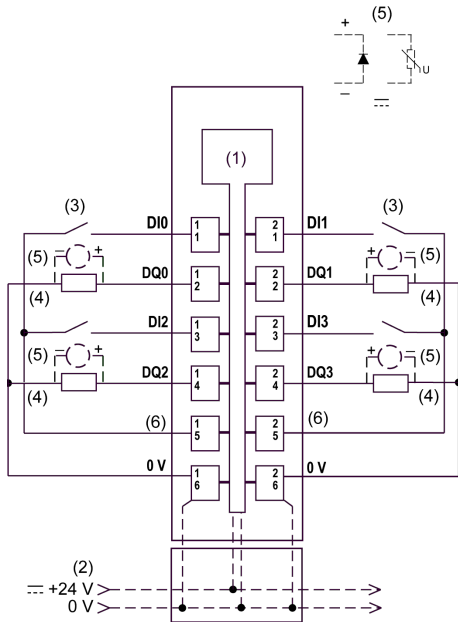


- 1 Load resistance in Ω
- 2 Load inductance
- 3 Maximum operating cycles / second (with 90% duty cycle)

TM5SDM8DTS Wiring Diagram

Wiring Diagram

The following illustration presents the wiring diagram for the TM5SDM8DTS:



- 1 Internal electronics
- 2 24 Vdc I/O power segment integrated into the bus bases
- 3 2-wire sensor
- 4 2-wire load
- 5 Inductive load protection
- 6 24 Vdc for sensor supply

NOTE: I/O electronic modules and the field devices connected to them must all reside on the same 24 Vdc I/O power segment. If not, the status LEDs may not function correctly. In addition, there may potentially be more significant consequences such as an explosion and/or fire hazard.

 **WARNING**

POTENTIAL EXPLOSION OR FIRE

Connect the returns from the devices to the same power source as the 24 Vdc I/O power segment serving the module.

Failure to follow these instructions can result in death, serious injury, or equipment damage.

 **WARNING**

UNINTENDED EQUIPMENT OPERATION

Do not connect wires to unused terminals and/or terminals indicated as “No Connection (N.C.)”.

Failure to follow these instructions can result in death, serious injury, or equipment damage.

 **WARNING**

UNINTENDED EQUIPMENT OPERATION

Use the sensor and actuator power supply only for supplying power to sensors or actuators connected to the module.

Failure to follow these instructions can result in death, serious injury, or equipment damage.

Chapter 23

TM5SDM12DT Electronic Module 8DI/4DO 24 Vdc Tr 0.5 A 1 Wire

What Is in This Chapter?

This chapter contains the following topics:

Topic	Page
TM5SDM12DT Presentation	206
TM5SDM12DT Characteristics	209
TM5SDM12DT Wiring Diagram	213

TM5SDM12DT Presentation

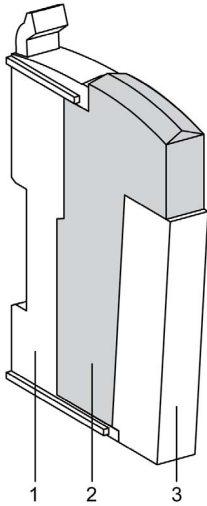
Main Characteristics

The table below describes the main characteristics of the TM5SDM12DT electronic module:

Main Characteristics	
Number of input channels	8
Input type	Type 1
Input signal type	Sink
Number of output channels	4
Output type	Transistor
Output signal type	Source
Output current	0.5 A max.
Rated input voltage	24 Vdc

Ordering Information

The illustration below shows the TM5SDM12DT:



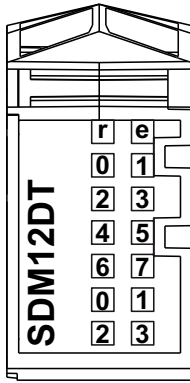
The table below shows the model numbers for the terminal block and the bus bases associated with the TM5SDM12DT:

Number	Model Number	Description	Color
1	TM5ACBM11 or TM5ACBM15	Bus base Bus base with address setting	White White
2	TM5SDM12DT	Electronic Module	White
3	TM5ACTB12	Terminal block, 12 pins	White

NOTE: For more information, refer to *TM5 bus bases and terminal blocks*.

Status LEDs

The following illustration describes the LEDs for TM5SDM12DT:



The table below shows the TM5SDM12DT input status LEDs:

LED	Color	Status	Description
r	Green	Off	No power supply
		Single flash	Reset state
		Flashing	Preoperational state
		On	Normal operation
e	Red	Off	OK or no power supply
		Single flash	Error detected on output channels ¹
e+r	Steady red / Single green flash		Invalid firmware
0 - 7	Green	Off	Corresponding input deactivated
		On	Corresponding input activated
0 - 3	Yellow	Off	Corresponding output deactivated
		On	Corresponding output activated
NOTE:			
The e LED flashes when detecting one of the following errors on output channels:			
<ul style="list-style-type: none"> ● Short-circuit ● Overload ● No 24 Vdc Power Segment supply and an output is at logic 1 			

TM5SDM12DT Characteristics

Introduction

This is the description characteristics for the TM5SDM12DT electronic module. See also Environmental Characteristics (*see page 27*).

DANGER

FIRE HAZARD

Use only the correct wire sizes for the maximum current capacity of the I/O channels and power supplies.

Failure to follow these instructions will result in death or serious injury.

WARNING

UNINTENDED EQUIPMENT OPERATION

Do not exceed any of the rated values specified in the environmental and electrical characteristics tables.

Failure to follow these instructions can result in death, serious injury, or equipment damage.

General Characteristics

The table below describes the general characteristics of the TM5SDM12DT electronic module:

General Characteristics	
Rated power supply voltage	24 Vdc
Power supply source	Connected to the 24 Vdc I/O power segment
Power supply range	20.4...28.8 Vdc
24 Vdc I/O segment current draw	21 mA (all inputs On)
TM5 Bus 5 Vdc current draw	42 mA
Power dissipation	1.52 W max.
Weight	25 g (0.9 oz)
ID code for firmware update	8377 dec

Input Characteristics

The table describes the input characteristics of the TM5SDM12DT electronic module:

Input Characteristics		
Number of input channels		8
Wiring type		1 wire
Rated input voltage		24 Vdc
Input voltage range		20.4...28.8 Vdc
De-rating	55...60 °C (131...140 °F)	I = 0.3 A max. by channel
Rated input current at 24 Vdc		3.75 mA
Input impedance		6.4 kΩ
OFF state		5 Vdc max.
ON state		15 Vdc min.
Input filter	Hardware	≤100 μs
	Software	Default 1 ms, can be configured between 0 and 25 ms in 0.2 ms intervals.
Isolation	Between channels and bus	See note ¹
	Between channels	Not isolated

¹ The isolation of the electronic module is 500 Vac RMS between the electronics powered by the TM5 bus and those powered by 24 Vdc I/O power segment connected to the module. In practice, the TM5 electronic module is installed in the bus base, and there is a bridge between the TM5 power bus and the 24 Vdc I/O power segment. The two power circuits reference the same functional ground (FE) through specific components designed to reduce effects of electromagnetic interference. These components are rated at 30 Vdc or 60 Vdc. This effectively reduces isolation of the entire system from the 500 Vac RMS.

Output Characteristics

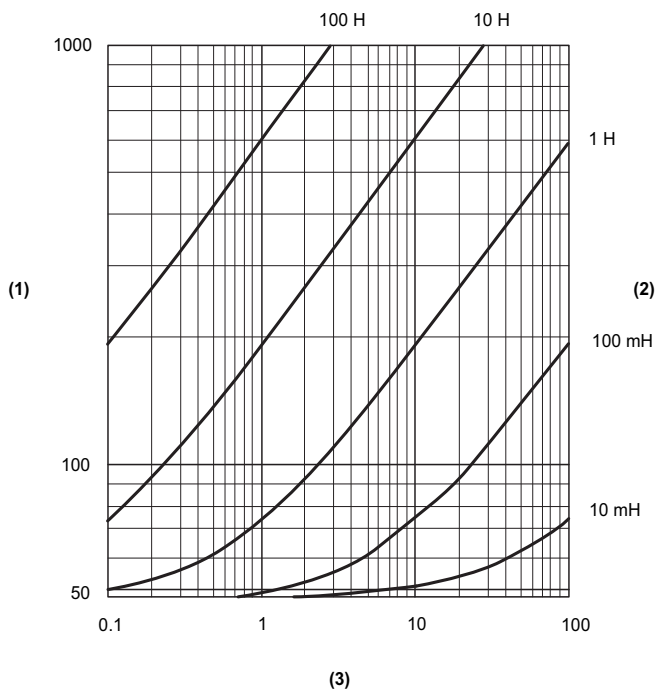
The table describes the output characteristics of the TM5SDM12DT electronic module:

Output Characteristics		
Output channels		4
Wiring type		1 wire
Output current		0.5 A max. per output
Total output current		2 A max.
Output voltage		24 Vdc
Output voltage range		20.4...28.8 Vdc
De-rating		0.3 A max. by channel
Voltage drop		0.3 Vdc max. at 0.5 A rated current
Leakage current when switched off		5 μ A
Turn on time		300 μ s max.
Turn off time		300 μ s max.
Output protection		Against short-circuit and overload, thermal protection
Short-circuit output peak current		12 A max.
Automatic rearming after short-circuit or overload		Yes, 10 ms min. depending on internal temperature
Protection against reverse polarity		Yes
Clamping voltage		Typ. 50 Vdc
Switching frequency	Resistive load	500 Hz max.
	Inductive load	See the switching inductive load characteristics (<i>see page 212</i>).
Isolation	Between input and internal bus	See note ¹
	Between channels	Not isolated

¹ The isolation of the electronic module is 500 Vac RMS between the electronics powered by the TM5 bus and those powered by 24 Vdc I/O power segment connected to the module. In practice, the TM5 electronic module is installed in the bus base, and there is a bridge between the TM5 power bus and the 24 Vdc I/O power segment. The two power circuits reference the same functional ground (FE) through specific components designed to reduce effects of electromagnetic interference. These components are rated at 30 Vdc or 60 Vdc. This effectively reduces isolation of the entire system from the 500 Vac RMS.

Switching Inductive Loads

The curves below provide the switching inductive load characteristics for the TM5SDM12DT electronic module.

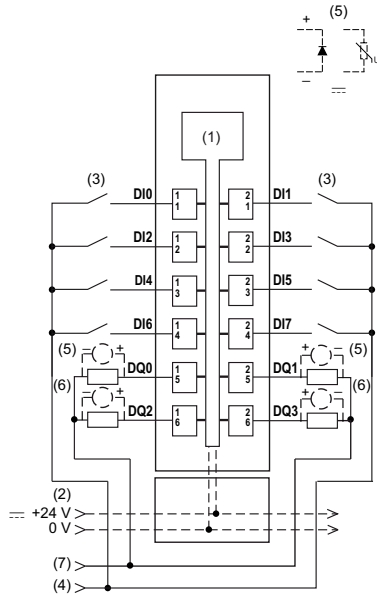


- 1 Load resistance in Ω
- 2 Load inductance
- 3 Max. operating cycles / second

TM5SDM12DT Wiring Diagram

Wiring Diagram

The following illustration shows the wiring diagram for the TM5SDM12DT:



- 1 Internal electronics
- 2 24 Vdc I/O power segment integrated into the bus bases
- 3 2-wire sensor
- 4 24 Vdc I/O power segment by external connection
- 5 Inductive load protection
- 6 2-wire load
- 7 0 Vdc I/O power segment by external connection

NOTE: I/O electronic modules and the field devices connected to them must all reside on the same 24 Vdc I/O power segment. If not, the status LEDs may not function correctly. In addition, there may potentially be more significant consequences such as an explosion and/or fire hazard.

⚠ WARNING

POTENTIAL EXPLOSION OR FIRE

Connect the returns from the devices to the same power source as the 24 Vdc I/O power segment serving the module.

Failure to follow these instructions can result in death, serious injury, or equipment damage.

Chapter 24

TM5SMM6D2L Electronic Module 4DI/2DO 24Vdc Tr 0.5A / 1AI/1AO $\pm 10V/0-20mA$ 12 Bits

What Is in This Chapter?

This chapter contains the following topics:

Topic	Page
TM5SMM6D2L Presentation	216
TM5SMM6D2L Characteristics	219
TM5SMM6D2L Wiring Diagram	225

TM5SMM6D2L Presentation

Main Characteristics

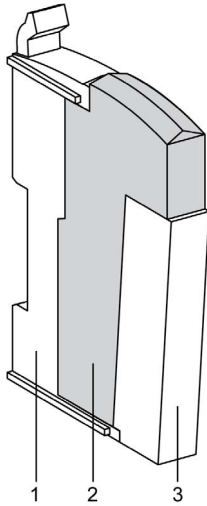
The tables describe the main characteristics of the TM5SMM6D2L electronic module:

Main Characteristics of Digital Input / Output Channels	
Number of digital input channels	4
Number of digital output channels	2
Input type	Type 1
Input signal type	Sink
Rated input voltage	24 Vdc
Output type	Transistor
Output signal type	Source
Output current	0.5 A max.

Main Characteristics of Analog Input / Output Channels		
Number of analog input channels	1	
Number of analog output channels	1	
Signal type	Voltage	Current
Input range	-10...+10 Vdc	0...20 mA / 4...20 mA
Output range	-10...+10 Vdc	0...20 mA
Resolution	12 bits + sign	12 bits

Ordering Information

The illustration shows the TM5SMM6D2L:



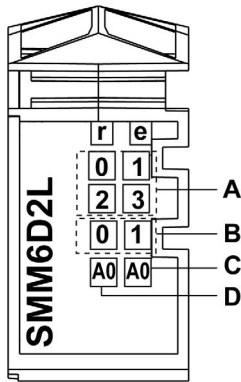
The table shows the model numbers for the terminal block and the bus bases associated with the TM5SMM6D2L:

Number	Reference	Description	Color
1	TM5ACBM11 or TM5ACBM15	Bus base Bus base with address setting	White White
2	TM5SMM6D2L	Electronic module	White
3	TM5ACTB12	Terminal block, 12 pins	White

NOTE: For more information, refer to *TM5 bus bases and terminal blocks*.

Status LEDs

The following illustration describes the LEDs for TM5SMM6D2L:



The table shows the TM5SMM6D2L input status LEDs:

Position in Illustration	LED	Color	Status	Description
–	r	Green	Off	No power supply
			Single flash	Reset state
			Flashing	Preoperational state
			On	Normal operation
–	e	Red	Off	OK or no power supply
			Single flash	Error detected on output channels
–	e+r	Steady red / Single green flash		Invalid firmware
A	0 - 3	Green	Off	Corresponding digital input deactivated
			On	Corresponding digital input activated
B	0 - 1	Orange	Off	Corresponding digital output deactivated
			On	Corresponding digital output activated
C	A0	Orange	Off	The value = 0.
			On	The value ≠ 0.
D	A0	Green	Off	The connection is open or the sensor is disconnected.
			Flashing	Overflow or underflow of the input signal
			On	The analog / digital converter is running, the value is OK.

TM5SMM6D2L Characteristics

Introduction

This is the description characteristics for the TM5SMM6D2L electronic module. See also Environmental Characteristics (*see page 27*).

DANGER

FIRE HAZARD

Use only the correct wire sizes for the maximum current capacity of the I/O channels and power supplies.

Failure to follow these instructions will result in death or serious injury.

WARNING

UNINTENDED EQUIPMENT OPERATION

Do not exceed any of the rated values specified in the environmental and electrical characteristics tables.

Failure to follow these instructions can result in death, serious injury, or equipment damage.

General Characteristics

The table below describes the general characteristics of the TM5SMM6D2L electronic module:

General Characteristics	
Rated power supply voltage Power supply source	24 Vdc Connected to the 24 Vdc I/O power segment
Power supply range	20.4...28.8 Vdc
24 Vdc I/O segment current draw	73 mA (all digital inputs and outputs On)
TM5 Bus 5 Vdc current draw	2 mA
Power dissipation	1.75 W max.
Weight	25 g (0.9 oz)
ID code for firmware update	9411 dec

Input Characteristics of Digital Channels

The table describes the input characteristics of digital channels of the TM5SMM6D2L electronic module:

Input Characteristics		
Number of input channels		4
Wiring type		1 wire
Rated input voltage		24 Vdc
Input voltage range		20.4...28.8 Vdc
De-rating	Temperature: 55...60°C (131...140°F)	up to 3 inputs simultaneously activated
Rated input current at 24 Vdc		3.3 mA
Input impedance		7.18 kΩ
OFF state		5 Vdc max.
ON state		15 Vdc min.
Input filter	Hardware	≤2 μs
	Software	Default: 1 ms Can be configured between 0 and 25 ms in 0.2 ms intervals.
Isolation	Between input and internal bus	See note ¹
	Between channels	Not isolated

¹ The isolation of the electronic module is 500 Vac RMS between the electronics powered by the TM5 bus and those powered by 24 Vdc I/O power segment connected to the module. In practice, the TM5 electronic module is installed in the bus base, and there is a bridge between the TM5 power bus and the 24 Vdc I/O power segment. The two power circuits reference the same functional ground (FE) through specific components designed to reduce effects of electromagnetic interference. These components are rated at 30 Vdc or 60 Vdc. This effectively reduces isolation of the entire system from the 500 Vac RMS.

Input Characteristics of Analog Channels

The table describes the input characteristics of analog channels of the TM5SMM6D2L electronic module:

Input Characteristics	Voltage Input	Current Input
Input range	-10...+10 Vdc	0...20 mA / 4...20 mA
Input impedance	1 M Ω min.	–
Load impedance	–	300 Ω max.
Sample duration time	400 μ s	
Input type	Single ended	
Conversion mode	Successive Approximative Register	
Input filter	Low pass third order / cut-off frequency 1 kHz	
Input tolerance - maximum deviation at ambient 25°C (77°F)	< 0.08% of the measurement	< 0.08% of the measurement
Input tolerance - temperature drift	0.006% / °C of the measurement	0.009% / °C of the measurement
Input tolerance - non linearity	0.02%	0.02%
Digital resolution	12 bits + sign	12 bits
Resolution value	2.441 mV	4.883 μ A
Common mode rejection	DC	70 dB min.
	50 Hz	70 dB min.

Output Characteristics of Digital Channels

The table describes the output characteristics of digital channels of the TM5SMM6D2L electronic module:

Output Characteristics		
Number of Output channels		2
Wiring type		1 wire
Output current		0.5 A max. per output
Total output current		1 A max.
Output voltage		24 Vdc
Output voltage range		20.4...28.8 Vdc
De-rating	Temperature: 55...60°C (131...140°F)	I=0.4 A max. by channel
Voltage drop		0.2 Vdc max. at 0.5 A rated current
Leakage current when switched off		5 µA
Turn on time		250 µs max.
Turn off time		250 µs max.
Output protection		Against short-circuit and overload, thermal protection
Short-circuit output peak current		14 A max.
Automatic rearming after short-circuit or overload		Yes, 10 ms min. depending on internal temperature
Protection against reverse polarity		Yes
Clamping voltage		Typ. 50 Vdc
Switching frequency	Resistive load	100 Hz
	Inductive load	See the switching inductive load characteristics (<i>see page 224</i>).
Isolation	Between input and internal bus	See note ¹
	Between channels	Not isolated

¹ The isolation of the electronic module is 500 Vac RMS between the electronics powered by the TM5 bus and those powered by 24 Vdc I/O power segment connected to the module. In practice, the TM5 electronic module is installed in the bus base, and there is a bridge between the TM5 power bus and the 24 Vdc I/O power segment. The two power circuits reference the same functional ground (FE) through specific components designed to reduce effects of electromagnetic interference. These components are rated at 30 Vdc or 60 Vdc. This effectively reduces isolation of the entire system from the 500 Vac RMS.

Output Characteristics of Analog Channels

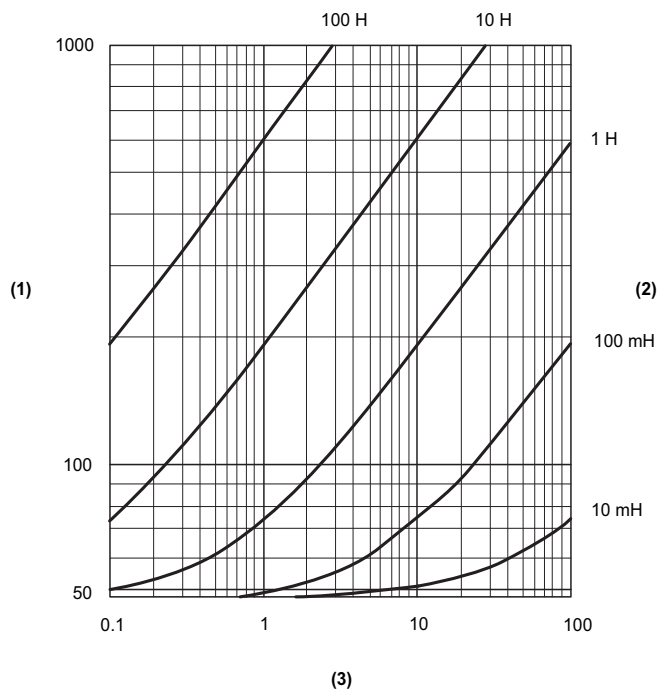
The table describes the output characteristics of analog channels of the TM5SMM6D2L electronic module:

Output Characteristics	Voltage Output	Current Output
Output range	-10...+10 Vdc	0...20 mA
Output impedance	1 kΩ min. (0...55°C (32...131°F)), 10 kΩ min. (55...60°C (131...140°F))	–
Load impedance	–	400 Ω max. (0...55°C (32...131°F)), >300 Ω max. (55...60°C (131...140°F))
Conversion time	300 μs	
Response time for output change	1 ms max.	
Output tolerance - maximum deviation at ambient 25°C (77°F)	< 0.15% of the measurement	
Output tolerance - temperature drift	0.02% / °C of the measurement	
Output tolerance - non linearity	< 0.1% of the measurement	
Output tolerance - maximum deviation caused by load change	0.02% from 10 MΩ to 1 kΩ, resistive	0.5% from 1 Ω to 500 Ω, resistive
Digital resolution	12 bits + sign	12 bits
Resolution value	2.441 mV	4.882 μA
Noise resistance - cable	Shielded cable is necessary	
Isolation between channels	Not isolated	
Isolation between channels and bus	See note ¹	
Output protection	Short-circuit protection: current limitation is 50 mA	

¹ The isolation of the electronic module is 500 Vac RMS between the electronics powered by the TM5 bus and those powered by 24 Vdc I/O power segment connected to the module. In practice, the TM5 electronic module is installed in the bus base, and there is a bridge between the TM5 power bus and the 24 Vdc I/O power segment. The two power circuits reference the same functional ground (FE) through specific components designed to reduce effects of electromagnetic interference. These components are rated at 30 Vdc or 60 Vdc. This effectively reduces isolation of the entire system from the 500 Vac RMS.

Switching Inductive Loads

The curves provide the switching inductive load characteristics for the TM5SMM6D2L electronic module.

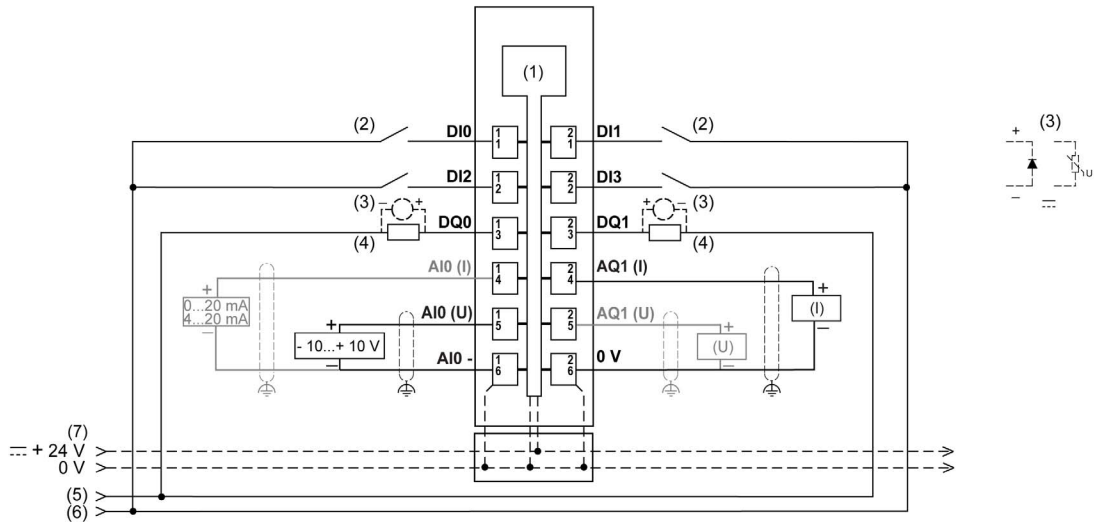


- 1 Load resistance in Ω
- 2 Load inductance
- 3 Max. operating cycles / second

TM5SMM6D2L Wiring Diagram

Wiring Diagram

The following illustration shows the wiring diagram for TM5SMM6D2L:



- 1 internal electronics
- 2 2-wire sensor
- 3 inductive load protection
- 4 2-wire load
- 5 0 Vdc I/O power segment by external connection
- 6 24 Vdc I/O power segment by external connection
- 7 24 Vdc I/O power segment integrated into the bus bases
- I current
- U voltage

⚠ WARNING

UNINTENDED EQUIPMENT OPERATION

Do not connect wires to unused terminals and/or terminals indicated as "No Connection (N.C.)".

Failure to follow these instructions can result in death, serious injury, or equipment damage.

Specific Information for Digital Inputs

NOTE: I/O electronic modules and the field devices connected to them must all reside on the same 24 Vdc I/O power segment. If not, the status LEDs may not function correctly. In addition, there may potentially be more significant consequences such as an explosion and/or fire hazard.

WARNING

POTENTIAL EXPLOSION OR FIRE

Connect the returns from the devices to the same power source as the 24 Vdc I/O power segment serving the module.

Failure to follow these instructions can result in death, serious injury, or equipment damage.

The 4-digital input TM5SMM6D2L electronic module can independently support 1-wire devices. To connect 2-wire devices, you can add a TM5SPDD12F Common Distribution module.

Specific Information for Analog Inputs

Use shielded, properly grounded cables for all analog and high-speed inputs or outputs and communication connections. If you do not use shielded cable for these connections, electromagnetic interference can cause signal degradation. Degraded signals can cause the controller or attached modules and equipment to perform in an unintended manner.

WARNING

UNINTENDED EQUIPMENT OPERATION

- Use shielded cables for all fast I/O, analog I/O and communication signals.
- Ground cable shields for all analog I/O, fast I/O and communication signals at a single point¹.
- Route communication and I/O cables separately from power cables.

Failure to follow these instructions can result in death, serious injury, or equipment damage.

¹Multipoint grounding is permissible if connections are made to an equipotential ground plane dimensioned to help avoid cable shield damage in the event of power system short-circuit currents.

NOTICE

INOPERABLE EQUIPMENT

Verify that the physical wiring of the analog circuit is compatible with the software configuration for the analog channel.

Failure to follow these instructions can result in equipment damage.

Specific Information for Digital Outputs

NOTE: I/O electronic modules and the field devices connected to them must all reside on the same 24 Vdc I/O power segment. If not, the status LEDs may not function correctly. In addition, there may potentially be more significant consequences such as an explosion and/or fire hazard.

WARNING

POTENTIAL EXPLOSION OR FIRE

Connect the returns from the devices to the same power source as the 24 Vdc I/O power segment serving the module.

Failure to follow these instructions can result in death, serious injury, or equipment damage.

The 2-digital output TM5SMM6D2L electronic module can independently support 1-wire devices. To connect 2-wire devices, you can add a TM5SPDG12F Common Distribution module.

Specific Information for Analog Output

Use shielded, properly grounded cables for all analog and high-speed inputs or outputs and communication connections. If you do not use shielded cable for these connections, electromagnetic interference can cause signal degradation. Degraded signals can cause the controller or attached modules and equipment to perform in an unintended manner.

WARNING

UNINTENDED EQUIPMENT OPERATION

- Use shielded cables for all fast I/O, analog I/O and communication signals.
- Ground cable shields for all analog I/O, fast I/O and communication signals at a single point¹.
- Route communication and I/O cables separately from power cables.

Failure to follow these instructions can result in death, serious injury, or equipment damage.

¹Multipoint grounding is permissible if connections are made to an equipotential ground plane dimensioned to help avoid cable shield damage in the event of power system short-circuit currents.

NOTICE

INOPERABLE EQUIPMENT

Verify that the physical wiring of the analog circuit is compatible with the software configuration for the analog channel.

Failure to follow these instructions can result in equipment damage.



!

%

According to the IEC standard, % is a prefix that identifies internal memory addresses in the logic controller to store the value of program variables, constants, I/O, and so on.

A

analog input

Converts received voltage or current levels into numerical values. You can store and process these values within the logic controller.

analog output

Converts numerical values within the logic controller and sends out proportional voltage or current levels.

B

bus base

A mounting device that is designed to seat an electronic module on a DIN rail and connect it to the TM5 bus for M258 and LMC058 logic controllers. Each base bus extends the integrated TM5 data and electronic power buses as well as the 24 Vdc I/O power segment. The electronic modules are added to the TM5 system through their insertion on the base bus.

C

CAN

(*controller area network*) A protocol (ISO 11898) for serial bus networks, designed for the interconnection of smart devices (from multiple manufacturers) in smart systems and for real-time industrial applications. Originally developed for use in automobiles, CAN is now used in a variety of industrial automation control environments.

CANopen

An open industry-standard communication protocol and device profile specification (EN 50325-4).

control network

A network containing logic controllers, SCADA systems, PCs, HMI, switches, ...

Two kinds of topologies are supported:

- flat: all modules and devices in this network belong to same subnet.
- 2 levels: the network is split into an operation network and an inter-controller network.

These two networks can be physically independent, but are generally linked by a routing device.

controller

Automates industrial processes (also known as programmable logic controller or programmable controller).

CSA

(*Canadian standards association*) The Canadian standard for industrial electronic equipment in hazardous environments.

D

DIN

(*Deutsches Institut für Normung*) A German institution that sets engineering and dimensional standards.

E

electronic module

In a programmable controller system, most electronic modules directly interface to the sensors, actuators, and external devices of the machine/process. This electronic module is the component that mounts in a bus base and provides electrical connections between the controller and the field devices. Electronic modules are offered in a variety of signal levels and capacities. (Some electronic modules are not I/O interfaces, including power distribution modules and transmitter/receiver modules.)

element

The short name of the ARRAY element.

EN

EN identifies one of many European standards maintained by CEN (*European Committee for Standardization*), CENELEC (*European Committee for Electrotechnical Standardization*), or ETSI (*European Telecommunications Standards Institute*).

encoder

A device for length or angular measurement (linear or rotary encoders).

equipment

A part of a machine including sub-assemblies such as conveyors, turntables, and so on.

Ethernet

A physical and data link layer technology for LANs, also known as IEEE 802.3.

F**FAST I/O**

FAST input/output Specific I/O modules with some electrical features (for example, response time) while the treatment of these channels are done directly by the controller

firmware

Represents the BIOS, data parameters, and programming instructions that constitute the operating system on a controller. The firmware is stored in non-volatile memory within the controller.

function

A programming unit that has 1 input and returns 1 immediate result. However, unlike FBs, it is directly called with its name (as opposed to through an instance), has no persistent state from one call to the next and can be used as an operand in other programming expressions.

Examples: boolean (AND) operators, calculations, conversions (BYTE_TO_INT)

H**hot swapping**

The replacement of a component with a like component while the system remains under power and operational. The replacement component begins to function automatically after it is installed.

I**ID**

(identifier/identification)

IEC

(international electrotechnical commission) A non-profit and non-governmental international standards organization that prepares and publishes international standards for electrical, electronic, and related technologies.

input filter

A special function that helps reject extraneous signals on input lines due to such things as contact bounce and inducted electrical transients. Inputs provide a level of input filtering using the hardware. Additional filtering with software is also configurable through the programming or the configuration software.

IP 20

(ingress protection) The protection classification according to IEC 60529 offered by an enclosure, shown by the letter IP and 2 digits. The first digit indicates 2 factors: helping protect persons and for equipment. The second digit indicates helping protect against water. IP 20 devices help protect against electric contact of objects larger than 12.5 mm, but not against water.

IP 67

(ingress protection) The protection classification according to IEC 60529. IP 67 modules are protected against ingress of dust, contact, and water up to an immersion depth of 1 m.

L

LED

(light emitting diode) An indicator that illuminates under a low-level electrical charge.

M

machine

Consists of several *functions* and/or *equipment*.

ms

(millisecond)

N

network

A system of interconnected devices that share a common data path and protocol for communications.

P

PCI

(peripheral component interconnect) An industry-standard bus for attaching peripherals.

PDM

(power distribution module) A module that distributes either AC or DC field power to a cluster of I/O modules.

T

terminal block

(terminal block) The component that mounts in an electronic module and provides electrical connections between the controller and the field devices.

U

UL

(*underwriters laboratories*) A US organization for product testing and safety certification.



E

- Electronic modules
 - documentation references, *30*
 - installation, *30*
- environmental characteristics, *27*

G

- General characteristics
 - TM5SDI2DF, *84*

H

- hot swapping, *31*

I

- installation and Maintenance
 - installation and Maintenance requirements, *18*

P

- Presentation
 - TM5SDO12T, *152*
 - TM5SDO16T, *160*
 - TM5SDO2R, *170*
 - TM5SDO2S, *186*
 - TM5SDO2T, *110*
 - TM5SDO4R, *178*
 - TM5SDO4T, *118*
 - TM5SDO4TA, *126*
 - TM5SDO6T, *134*
 - TM5SDO8TA, *142*

T

- TM5 digital
 - TM5SDI12D, *65*
 - TM5SDI16D, *73*
 - TM5SDI2A, *89*
 - TM5SDI2D, *45*
 - TM5SDI4A, *95*
 - TM5SDI4D, *51*
 - TM5SDI6D, *57*
 - TM5SDI6U, *101*
 - TM5SDM12DT, *205*
 - TM5SDM8DTS, *195*
 - TM5SDO12T, *151*
 - TM5SDO16T, *159*
 - TM5SDO2R, *169*
 - TM5SDO2S, *185*
 - TM5SDO2T, *109*
 - TM5SDO4R, *177*
 - TM5SDO4T, *117*
 - TM5SDO4TA, *125*
 - TM5SDO6T, *133*
 - TM5SDO8TA, *141*
 - TM5SMM6D2L, *215*
- TM5 expert
 - TM5SDI2DF, *81*
- TM5SDI12D, *65*
- TM5SDI16D, *73*
- TM5SDI2A, *89*
- TM5SDI2D, *45*
- TM5SDI2DF, *81*
- TM5SDI4A, *95*
- TM5SDI4D, *51*
- TM5SDI6D, *57*
- TM5SDI6U, *101*
- TM5SDM12DT, *205*
- TM5SDM8DTS, *195*
- TM5SDO12T, *151*
- TM5SDO16T, *159*
- TM5SDO2R, *169*
- TM5SDO2S, *185*
- TM5SDO2T, *109*

TM5SDO4R, *177*
TM5SDO4T, *117*
TM5SDO4TA, *125*
TM5SDO6T, *133*
TM5SDO8TA, *141*
TM5SMM6D2L, *215*

W

Wiring Diagram

TM5SDM12DT, *213*
TM5SDM8DTS, *203*
TM5SDO12T, *157*
TM5SDO16T, *166*
TM5SDO2DS, *190*
TM5SDO2R, *175*
TM5SDO2T, *115*
TM5SDO4R, *183*
TM5SDO4T, *123*
TM5SDO4TA, *131*
TM5SDO6T, *139*
TM5SDO8TA, *148*
TM5SMM6D2L, *225*
wiring rules, *21*