

MAXIMUM POWER RATINGS FOR 1PH AND 3PH MOTORS  
50/60 HZ AC3 DUTY

	SINGLE PHASE		THREE PHASE			
	115V	230V	200V	230V	460V	575V
D80	7.5 HP	15 HP	25 HP	30 HP	60 HP	60 HP

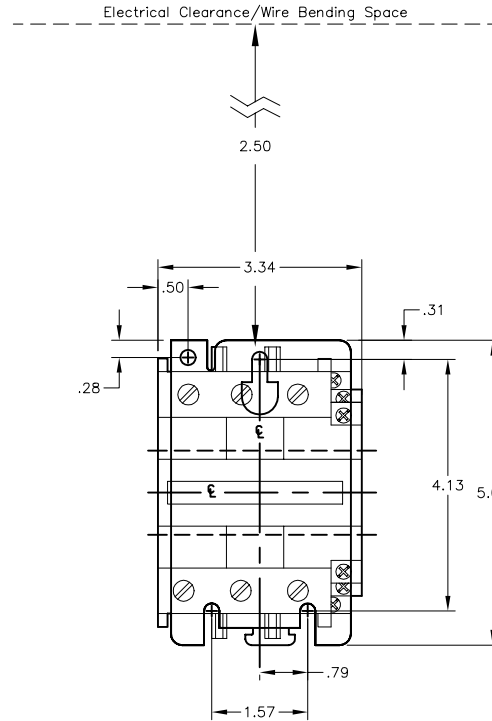
AUXILIARY CONTACTS

CODE (1)	NO	NC
11	1	1

COIL VOLTAGES FOR LC1 D09 TO D80

VOLTS	50 HZ CODE (2)	60 HZ CODE (2)	50/60 HZ CODE (2)
24	B5	B6	B7
110	F5	F6	F7
120	-	G6	-
127	G5	-	-
208	-	L6	-
220	M5	M6	M7
240	U5	U6	U7
277	-	W6	-
380	Q5	Q6	Q7
415	N5	-	N7
440	R5	R6	R7
480	-	T6	-
575	-	S6	-
600	-	X6	-
660	Y5	-	-

Catalog Number: LC1 D80(1)(2)  
 Ratings: 600V/80A  
 UL File/CCN: E48539/NL DX  
 CSA File/Class: LR43364/3211 04  
 Meets Standards: IEC 158-1, IEC 947-1, IEC 947-4  
 Weight: 1.5kg  
 Wire Size: Power #2-#10 / Control #10-#18  
 Terminal torque: 75 LB-IN  
 Mounting Hwd: 35mm DIN rail, #10 screws



DEPTH: 4.92

"THE SQUARE D COMPANY HAS PROPRIETARY RIGHTS TO THE INFORMATION CONTAINED HEREON. THIS INFORMATION REMAINS THE PROPERTY OF SQUARE D COMPANY AND MAY BE USED ONLY IN CONFORMANCE WITH INSTRUCTIONS ISSUED BY SQUARE D COMPANY. USER SHOULD VERIFY DRAWINGS ARE TO THE LATEST/CURRENT REVISION PRIOR TO INCORPORATING IN A DESIGN FILE."

**DO NOT SCALE DRAWING**  
UNLESS OTHERWISE SPECIFIED DIMENSIONS ARE IN INCHES

THIRD ANGLE PROJECTION

**TOLERANCES**  
UNLESS OTHERWISE SPECIFIED  
2 PLACE DECIMALS ± .01

IEC CONTACTOR  
LC1 D80(1)(2)

**SQUARE D COMPANY**

DWG# E0200501-01  
NO.