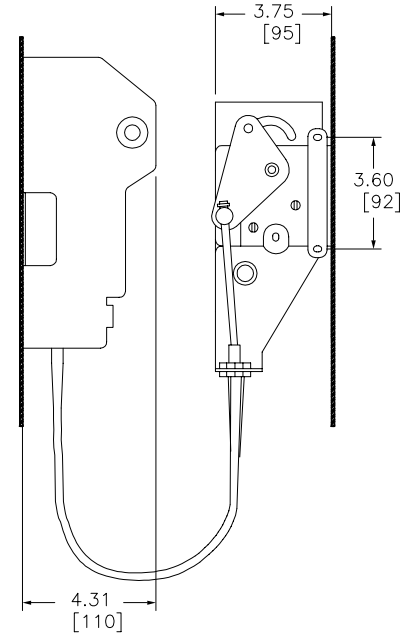
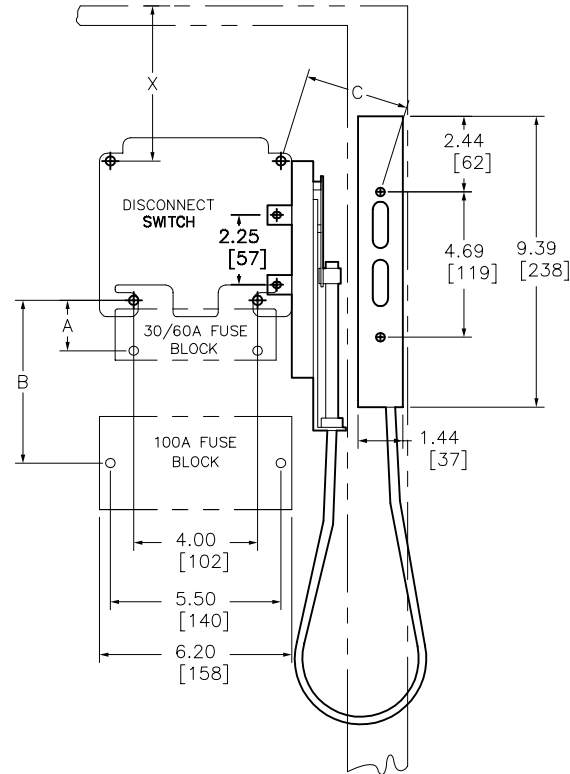


COMPATIBLE SWITCH AND FUSE TYPES

SWITCH TYPE	MAXIMUM VOLTAGE	FUSE TYPE CLASS	CLASS R FUSE KIT	DIMENSION	
				A	B
TCN30	-	UNFUSED	-	-	-
TCF30	30A, 250V	H, K, R	RFK03	1.625 [41]	-
TCF33	30A, 600V	H, K, R	RFK06	4.25 [108]	-
	30A, 600V	J	-	1.625 [41]	-
	60A, 250V	H, K, R	RFK06	2.25 [57]	-
TDN60	-	UNFUSED	-	-	-
TDF60	60A, 250V	H, K, R	RFK06	2.25 [57]	-
	30A, 600V	J	-	1.625 [41]	-
	30A, 600V	H, K, R	RFK06	4.25 [108]	-
TDF63	60A, 600V	H, K, R	RFK06H	4.75 [121]	-
	60A, 600V	J	-	1.625 [41]	-
TEN10	-	UNFUSED	-	-	-
TEF10	100A, 250V	H, K, R	RFK10	-	3.25 [83]
	100A, 600V	H, K, R	RFK10	-	5.25 [133]
	100A, 600V	J	-	-	3.25 [83]

TYPE	CABLE LENGTH	MAXIMUM BOX DEPTH	MAXIMUM DISTANCE FROM TOP RIGHT MOUNTING HOLE TO UPPER MOUNTING HOLE FOR HANDLE OPERATOR (DIM C)	
			MINIMUM C	MAXIMUM C
CFT30	36"	24"	1"	4"
CFT50	60"	36"	16"	24"
CFT10	120"	36"	4 FEET	5 FEET

WIRE BENDING SPACE DIMENSION X IS
 2.50 FOR 30A & 60A DEVICES (#2 WIRE),
 AND 5.12 FOR 100A DEVICES (#0 WIRE).
 REFER TO NEC 430-10.



NOTE: BEND RADIUS IN CABLE MUST NEVER BE LESS THAN 6 INCHES.
 ELECTRICAL CLEARANCES MUST BE MAINTAINED BETWEEN CABLE AND LIVE ELECTRICAL PARTS.

Catalog Number: 9422-CFT30, CFT50, CFT10
 Ratings: -
 UL File/CCN: E52369/WHTY2
 CSA File/Class: LR44199/321107
 Meets Standards: -
 Weight: 6.8 lbs
 Wire Size: -
 Terminal torque: -
 Mounting Hwd: (4) #10 screws

"THE SQUARE D COMPANY HAS PROPRIETARY RIGHTS TO THE INFORMATION CONTAINED HEREON. THIS INFORMATION REMAINS THE PROPERTY OF SQUARE D COMPANY AND MAY BE USED ONLY IN CONFORMANCE WITH INSTRUCTIONS ISSUED BY SQUARE D COMPANY. USER SHOULD VERIFY DRAWINGS ARE TO THE LATEST/CURRENT REVISION PRIOR TO INCORPORATING IN A DESIGN FILE."

DO NOT SCALE DRAWING
 UNLESS OTHERWISE SPECIFIED DIMENSIONS ARE IN INCHES

THIRD ANGLE PROJECTION
 TOLERANCES
 UNLESS OTHERWISE SPECIFIED
 2 PLACE DECIMALS ± .01

DISCONNECT SWITCH CABLE OPERATOR MECHANISM
 CLASS 9422
 TYPE CFT30, CFT50, CFT11

SQUARE D COMPANY

DWG# 9422 CFT_OUTLINE_001
 NO.