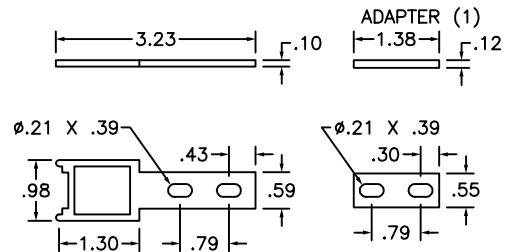
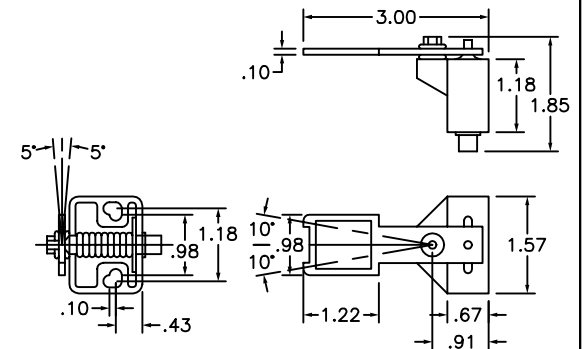


XCSZ05

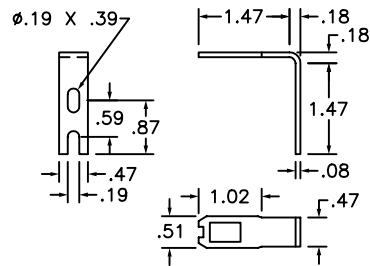


(1) ADAPTER (SUPPLIED WITH ACTUATING KEY XCS-Z01) FOR REPLACING, WITHOUT DRILLING ADDITIONAL MOUNTING HOLE, AN XCK-J SAFETY INTERLOCK SWITCH WITH ACTUATING KEY XCK-Y07 BY AN XCS-A,C OR E SAFELY INTERLOCK SWITCH WITH ACTUATING KEY XCS-Z01.

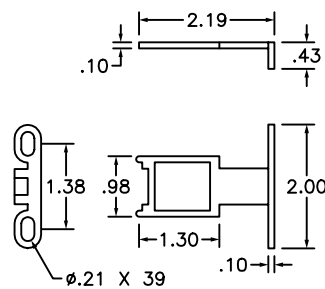
XCSZ01



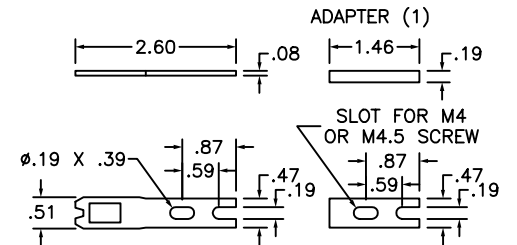
XCSZ03



XCSZ14



XCSZ02



(1) ADAPTER (SUPPLIED WITH ACTUATING KEY XCS-Z11) FOR REPLACING, WITHOUT DRILLING ADDITIONAL MOUNTING HOLE, AN XCK-P SAFETY INTERLOCK SWITCH WITH ACTUATING KEY XCK-Y01 BY AN XCS-PA SAFELY INTERLOCK SWITCH WITH ACTUATING KEY XCS-Z11.

XCSZ11

"THE SQUARE D COMPANY HAS PROPRIETARY RIGHTS TO THE INFORMATION CONTAINED HEREON. THIS INFORMATION REMAINS THE PROPERTY OF SQUARE D COMPANY AND MAY BE USED ONLY IN CONFORMANCE WITH INSTRUCTIONS ISSUED BY SQUARE D COMPANY. USER SHOULD VERIFY DRAWINGS ARE TO THE LATEST/CURRENT REVISION PRIOR TO INCORPORATING IN A DESIGN FILE."

DO NOT SCALE DRAWING
UNLESS OTHERWISE SPECIFIED DIMENSIONS ARE IN INCHES

THIRD ANGLE PROJECTION
TOLERANCES
UNLESS OTHERWISE SPECIFIED
2 PLACE DECIMALS ± .01

XCS SAFETY INTERLOCK SWITCHES
XCSZ01, XCSZ02, XCSZ03, XCSZ05, XCSZ11, XCSZ14

SQUARE D COMPANY

DWG# XCS_ACC_OUTLINE_002
NO.