



## Main

Range of Product	Harmony Pocket Remote
Product or Component Type	Base station
Device short name	ZARB

## Complementary

Cable entry	Cable pre-wired
Material	ABS + PC
[Us] rated supply voltage	12...24 V DC
Provided Equipment	Internal antenna
Number of relays	5
Relay type	Motion relay outputs 5 C/O Auxiliary relay outputs
Safety outputs	2 NC relay outputs
Maximum switching current	10 A AC
Maximum switching voltage	240 V AC +/- 20 %)
Communication network type	Wireless
Transmission frequency	2.4 GHz
Maximum sensing distance	984.25 ft (300 m) in free field
Fixing Mode	4 holes
Electrical durability	100000 cycles
Mechanical durability	10000000 cycles
Width	4.72 in (120 mm)
Height	4.61 in (117 mm)
Depth	2.01 in (51 mm)
Net Weight	0.88 lb(US) (0.40 kg)

## Environment

IP degree of protection	IP66
Radio agreement	FCC IC
Relative humidity	0...97 %
Ambient Air Temperature for Operation	-4...131 °F (-20...55 °C)
Ambient Air Temperature for Storage	-40...158 °F (-40...70 °C)
Product Certifications	CE

## Ordering and shipping details

Category	22467-PUSHBUTTONS,22MM(PLASTIC) NEW
Discount Schedule	CS2
GTIN	3606481499417
Returnability	No

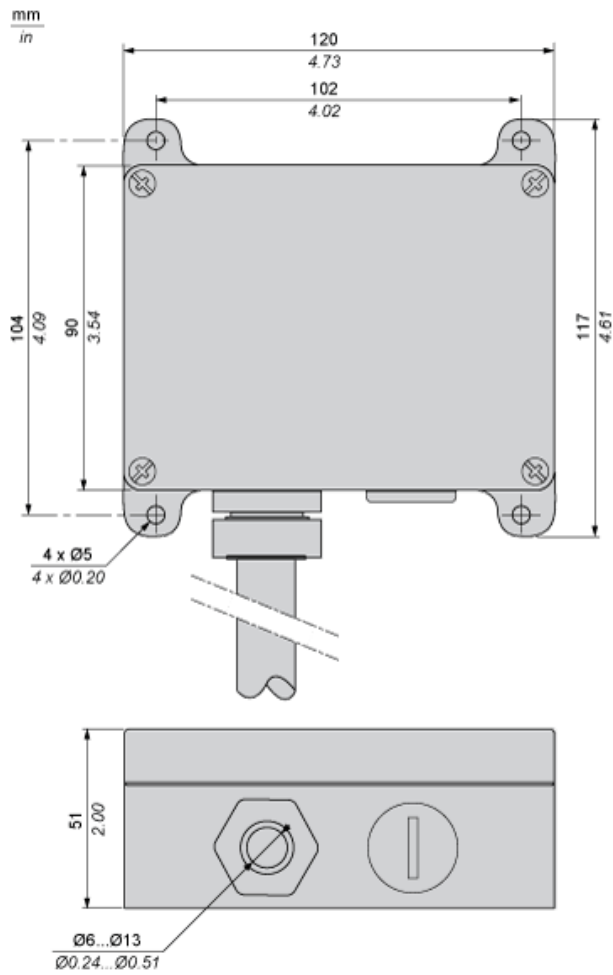
## Packing Units

Unit Type of Package 1	PCE
Number of Units in Package 1	1
Package 1 Height	2.95 in (7.5 cm)
Package 1 Width	7.28 in (18.5 cm)
Package 1 Length	8.86 in (22.5 cm)
Package 1 Weight	31.75 oz (900.0 g)
Unit Type of Package 2	S03
Number of Units in Package 2	7
Package 2 Height	11.81 in (30.0 cm)
Package 2 Width	11.81 in (30.0 cm)
Package 2 Length	15.75 in (40.0 cm)
Package 2 Weight	14.87 lb(US) (6.745 kg)

## Offer Sustainability

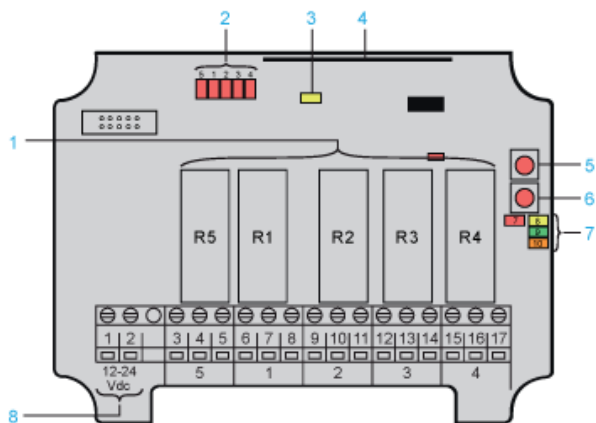
California proposition 65	WARNING: This product can expose you to chemicals including: Nickel compounds, which is known to the State of California to cause cancer, and Di-isodecyl phthalate (DIDP), which is known to the State of California to cause birth defects or other reproductive harm. For more information go to <a href="http://www.P65Warnings.ca.gov">www.P65Warnings.ca.gov</a>
EU RoHS Directive	Pro-active compliance (Product out of EU RoHS legal scope) <a href="#">EU RoHS Declaration</a>
Mercury free	Yes
China RoHS Regulation	<a href="#">China RoHS Declaration</a>
RoHS exemption information	<a href="#">Yes</a>
WEEE	The product must be disposed on European Union markets following specific waste collection and never end up in rubbish bins.

Receiver Dimensions

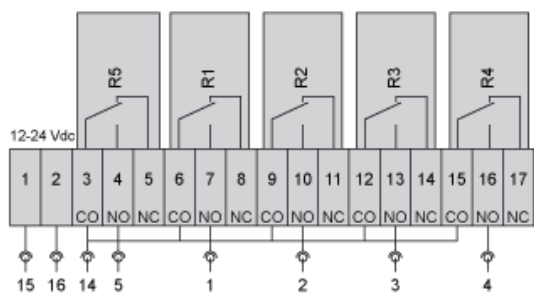


Receiver Wiring

Bottom layer



Part	Description
1	Relays R1...R5
2	Relays LEDs (red)
3	Power LED (yellow)
4	Radio module
5	Function button (cancel)
6	Select button (OK)
7	Function LEDs (7 = red, 8 = yellow, 9 = green, 10 = orange)
8	Terminal block for input power



Signal	Cable no.
Power supply / +	15
Power supply / -	16
Relay R5	Common
Output (NO type)	5
Output (NC type)	-
Relay R1	Common
Output (NO type)	1
Output (NC type)	-
Relay R2	Common
Output (NO type)	2

Signal		Cable no.
Output (NC type)	-	
Relay R3	Common	-
Output (NO type)	3	
Output (NC type)	-	
Relay R4	Common	-
Output (NO type)	4	
Output (NC type)	-	