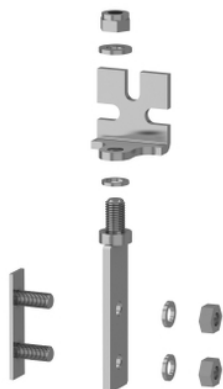


# XUSZBSS4

Telemecanique Safety light curtains XUSL,  
Swivel bracket with end caps, 4 fixing brackets set



## Main

|                                       |  |
|---------------------------------------|--|
| Range of Product                      | Telemecanique Safety light curtains XUSL                   |
| Accessory / separate part category    | Mounting and fixing accessories                            |
| Accessory / Separate Part Type        | Swivel mounting support                                    |
| Product Compatibility                 | XUSL2E<br>XUSL4E   |
| Accessory / separate part destination | Safety light curtain type 4<br>Safety light curtain type 2 |

## Complementary

|                 |                                     |
|-----------------|-------------------------------------|
| Kit composition | 4 x swivel bracket(s)<br>End cap(s) |
| Net Weight      | 0.33 lb(US) (0.15 kg)               |

## Ordering and shipping details

|                   |                             |
|-------------------|-----------------------------|
| Category          | 22455-LIGHT CURTAINS - XUSL |
| Discount Schedule | DS2                         |
| GTIN              | 3389119618908               |
| Returnability     | Yes                         |
| Country of origin | IT                          |

## Packing Units

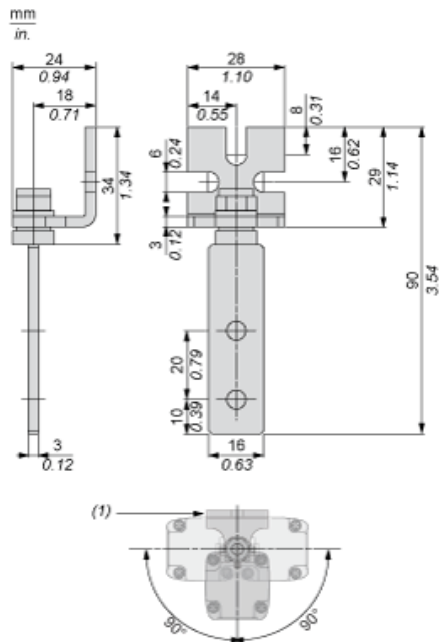
|                              |                        |
|------------------------------|------------------------|
| Unit Type of Package 1       | PCE                    |
| Number of Units in Package 1 | 1                      |
| Package 1 Height             | 2.68 in (6.8 cm)       |
| Package 1 Width              | 4.09 in (10.4 cm)      |
| Package 1 Length             | 6.69 in (17.0 cm)      |
| Package 1 Weight             | 7.69 oz (218.0 g)      |
| Unit Type of Package 2       | S02                    |
| Number of Units in Package 2 | 10                     |
| Package 2 Height             | 5.91 in (15.0 cm)      |
| Package 2 Width              | 11.81 in (30.0 cm)     |
| Package 2 Length             | 15.75 in (40.0 cm)     |
| Package 2 Weight             | 5.52 lb(US) (2.505 kg) |

The information provided in this documentation contains general descriptions and/or technical characteristics of the performance of the products contained herein. This documentation is not intended as a substitute for and is not to be used for determining suitability or reliability of these products for specific user applications. It is the duty of any such user or integrator to perform the appropriate and complete risk analysis, evaluation and testing of the products with respect to the relevant specific application or use thereof. Neither Schneider Electric Industries SAS nor any of its affiliates or subsidiaries shall be responsible or liable for misuse of the information contained herein.

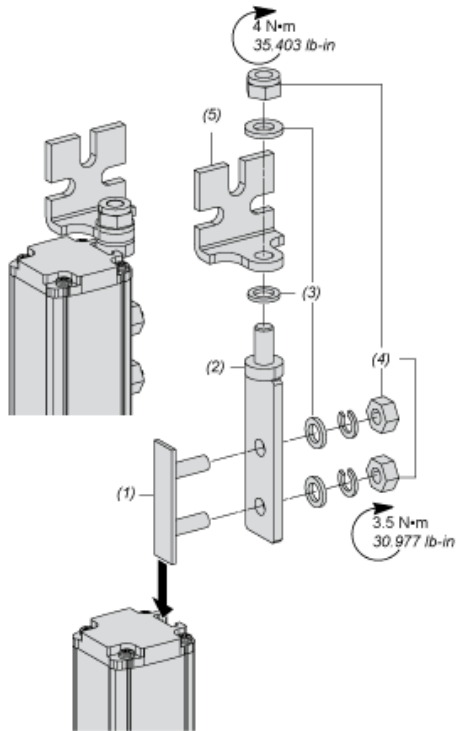
## Offer Sustainability

|                            |   |
|----------------------------|---|
| Sustainable offer status   | Green Premium product   |
| California proposition 65  | WARNING: This product can expose you to chemicals including: Diisononyl phthalate (DINP), which is known to the State of California to cause cancer, and Di-isodecyl phthalate (DIDP), which is known to the State of California to cause birth defects or other reproductive harm. For more information go to <a href="http://www.P65Warnings.ca.gov">www.P65Warnings.ca.gov</a> |
| REACH Regulation           | <a href="#">REACH Declaration</a>   |
| REACH free of SVHC         | Yes   |
| EU RoHS Directive          | Pro-active compliance (Product out of EU RoHS legal scope) <a href="#">EU RoHS Declaration</a>  |
| Toxic heavy metal free     | Yes   |
| Mercury free               | Yes   |
| RoHS exemption information | <a href="#">Yes</a>   |
| Environmental Disclosure   | <a href="#">Product Environmental Profile</a>   |
| Circularity Profile        | <a href="#">End Of Life Information</a>   |

## Dimensions



## Mounting and Clearance



- (1) Insert
- (2) Pivot
- (3) Washer
- (4) Nut
- (5) Swivel bracket