



Main

Range of Product	Telemecanique Ultrasonic sensors XX
Sensor Type	Ultrasonic sensor
Series name	General purpose
Sensor name	XXS
Sensor design	Cylindrical M30
Detection system	Diffuse
[Sn] nominal sensing distance	6.56 Ft (2 m) adjustable with remote teach push-button 6.56 ft (2 m) software with kit
Material	Plastic
Type of output signal	Analogue
Wiring Technique	5-wire
Analogue output function	0...10 V
[Us] rated supply voltage	24 V DC reverse polarity protection
Electrical connection	Male connector M12 5 pins
[Sd] sensing range	0.51...6.56 ft (0.155...2 m)
IP degree of protection	IP65 conforming to IEC 60529 IP67

Complementary

Enclosure Material	PBT
Front material	Epoxy Rubber Resin
Supply voltage limits	14...30 V DC
Function Available	With synchronisation mode Software configurable
[Sa] assured operating distance	0.51...6.56 ft (0.155...2 m) teach mode)
Blind zone	6.10 in (155 mm)
Transmission frequency	120 kHz
Repeat accuracy	0.1 %
Deviation angle from 90° of object to be detected	-12...12 °
Minimum size of detected object	Cylinder diameter 1 mm 4.59 ft (1.4 m)
Status LED	Output state 1 LED yellow) Echo state 1 LED green)
Current Consumption	65 mA
Maximum switching capacity	>= 1 kOhm overload and short-circuit protection
Setting-up	Teach mode Configurator software
Maximum delay first up	250 ms
Maximum delay recovery	200 ms
Marking	CE
Threaded length	2.98 in (75.75 mm)
Height	1.18 in (30 mm)
Width	1.18 in (30 mm)
Depth	4.02 in (102.15 mm)
Net Weight	0.22 lb(US) (0.1 kg)

Environment

Standards	EN/IEC 60947-5-2 CSA C22.2 No 14 UL 508
Product Certifications	CULus E2 EAC RCM Ecolab
Ambient Air Temperature for Operation	-13...158 °F (-25...70 °C)
Ambient Air Temperature for Storage	-40...176 °F (-40...80 °C)
Vibration resistance	+/-1 mm 10...55 Hz)IEC 60068-2-6
Shock resistance	30 gn in all 3 axes 11 ms IEC 60068-2-27
Resistance to electrostatic discharge	8 kV IEC 61000-4-2
Resistance to electromagnetic fields	9.14 V/m (10 V/m) level 3 IEC 61000-4-3
Resistance to fast transients	2 kV IEC 61000-4-4

Ordering and shipping details

Category	22489-SENSORS XX ULTRASONIC GEN PURPOSE
Discount Schedule	DS2
GTIN	3389119644792
Returnability	No
Country of origin	US

Packing Units

Unit Type of Package 1	PCE
Number of Units in Package 1	1
Package 1 Height	2.00 in (5.08 cm)
Package 1 Width	3.20 in (8.13 cm)
Package 1 Length	5.30 in (13.46 cm)
Package 1 Weight	0.26 lb(US) (0.12 kg)

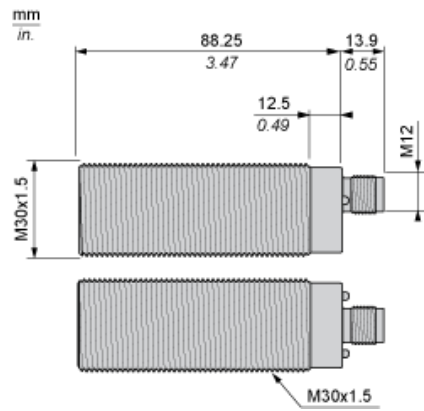
Offer Sustainability

Sustainable offer status	Green Premium product
California proposition 65	WARNING: This product can expose you to chemicals including: Diisononyl phthalate (DINP), which is known to the State of California to cause cancer, and Di-isodecyl phthalate (DIDP), which is known to the State of California to cause birth defects or other reproductive harm. For more information go to www.P65Warnings.ca.gov
REACH Regulation	REACH Declaration
EU RoHS Directive	Pro-active compliance (Product out of EU RoHS legal scope) EU RoHS Declaration
Mercury free	Yes
RoHS exemption information	Yes
Environmental Disclosure	Product Environmental Profile

Contractual warranty

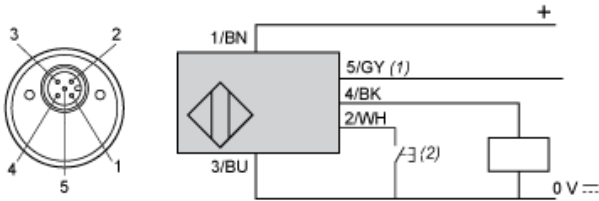
Warranty	18 months
----------	-----------

Dimensions



Connections

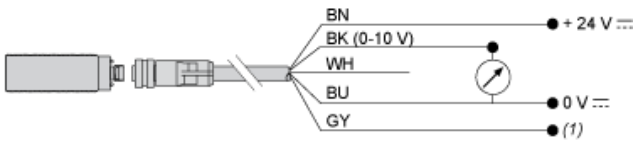
Connector Wiring



- (1) : Synchronization
- (2) : External setting pushbutton or XXZPB100 remote teach pushbutton.

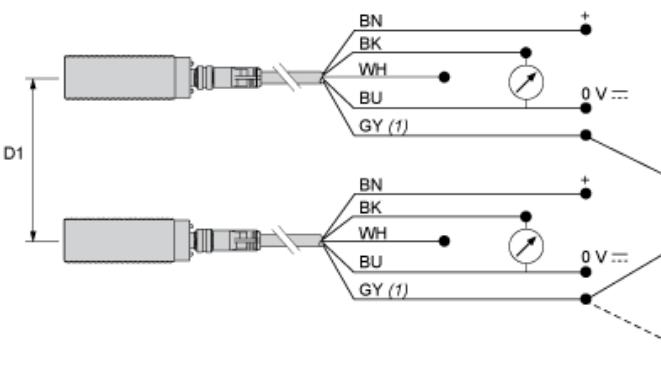
Pin number	Wire color	Description
1	BN: Brown	+ 24VDC
2	WH: White	Input teach
3	BU: Blue	0 VDC
4	BK: Black	Output
5	GY: Grey	Synchronization

Wiring Scheme. Analog Output



- (1) : Synchronization
- 0-10 1 kΩ...∞
- V:

Wiring for the Synchronization Function (Side by Side Application)

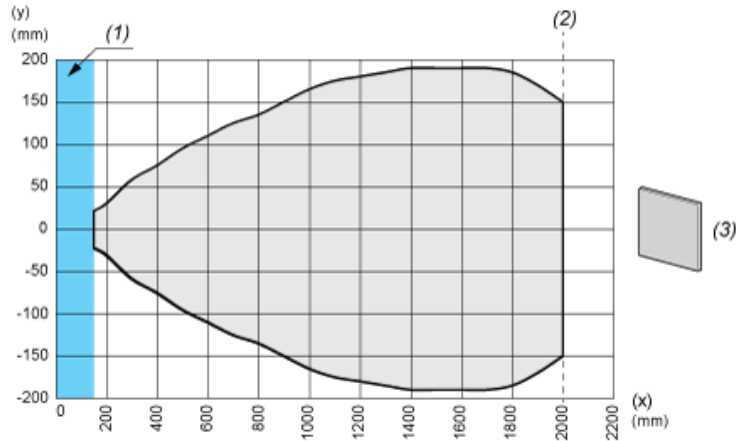


- (1) : Synchronization
- D1: 1/8 Sn
- BN: Brown
- WH: White
- BU: Blue
- BK: Black
- GY: Grey

NOTE: Up to 8 sensors can be synchronized to operate side by side by electrically connecting all pin no.5 (grey) wires together. To synchronize more than 8 sensors, a PLC output can be used (the pins no.5 must be simultaneously driven by the rising edge of a pulse).

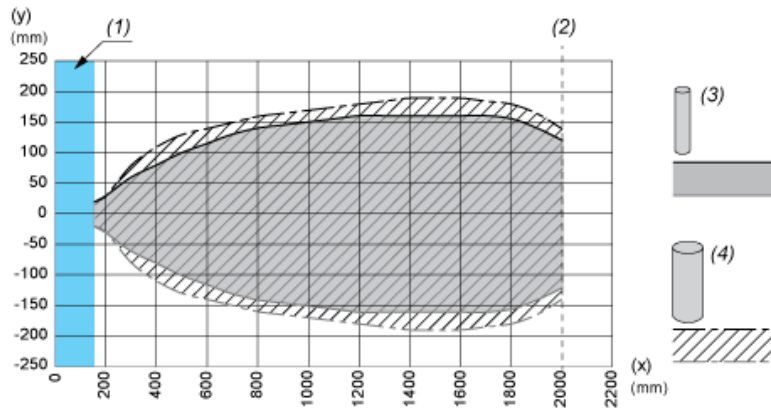
Performance Curves

Detection Curve with 100 x 100 mm / 3.94 x 3.94 inches Square Target



- (X) : Target distance
- (Y) : Detection limit
- (1) : Blind zone: 155 mm / 6.10 inches
- (2) : Sn max.
- (3) : 100 x 100 mm / 3.94 x 3.94 inches stainless steel plate

Detection Curve with Round Bar



- (X) : Target distance
- (Y) : Detection limit
- (1) : Blind zone: 155 mm / 6.10 inches
- (2) : Sn max.
- (3) : Ø 10 mm / 0.394 inches stainless steel cylinder
- (4) : Ø 25 mm / 0.984 inches stainless steel cylinder