



### Main

|                             |  |
|-----------------------------|--|
| Range of Product            | Modicon STB distributed I/O solution   |
| Product or Component Type   | Basic digital input kit  |
| Kit composition             | STBXBA1000 base<br>STBDDI3425 module<br>STBXTS2100, 6-terminal spring clamp connector<br>STBXTS1100, 6-terminal screw type connector |
| Discrete input number       | 4  |
| Discrete input voltage      | 24 V   |
| Discrete input voltage type | DC   |

### Complementary

|   |  |
|---|--|
| Input voltage limits                      | 11...30 V at state 1<br>-3...5 V at state 0  |
| Acceptable Input Voltage                  | 30 V   |
| Absolute maximum voltage                  | 56 V 1.3 ms  |
| Discrete input current                    | 8 mA   |
| Current state 0 guaranteed                | <= 1.2 mA  |
| Current state 1 guaranteed                | >= 2.5 mA  |
| Discrete input logic                      | Positive   |
| Response time                             | 3.5 ms off-to-on<br>3.8 ms on-to-off   |
| Protection type                           | Power protection integrated fuse on PDM time lag 5 A<br>Input protection resistor-limited<br>Reverse polarity protection |
| Insulation between channels and logic bus | 1500 V for 1 minute  |
| Cold swapping                             | Yes  |
| Hot swapping                              | Yes for basic NIMs   |
| Input filtering                           | 3 ms   |
| Current supplied by sensor                | 50 mA per channel  |
| Product Compatibility                     | I/O base STBXBA1000<br>Power distribution module STBPDT3100/3105   |
| [Us] rated supply voltage                 | 24 V DC  |
| Supply                                    | Power distribution module  |
| Current consumption                       | 45 mA 5 V DC logic bus   |
| Marking                                   | CE   |
| Overvoltage category                      | II   |
| Status LED                                | 1 LED (Green) module status (RDY)<br>1 LED per channel (Green) channel status (IN1 to IN4)                               |
| Depth                                     | 2.56 in (65.1 mm)  |
| Height                                    | 0.72 in (18.4 mm)  |
| Width                                     | 4.92 in (125 mm)   |
| Net Weight                                | 0.24 lb(US) (0.111 kg)   |

The information provided in this documentation contains general descriptions and/or technical characteristics of the performance of the products contained herein. This documentation is not intended as a substitute for and is not to be used for determining suitability or reliability of these products for specific user applications. It is the duty of any such user or integrator to perform the appropriate and complete risk analysis, evaluation and testing of the products with respect to the relevant specific application or use thereof. Neither Schneider Electric Industries SAS nor any of its affiliates or subsidiaries shall be responsible or liable for misuse of the information contained herein.

## Environment

|                                       |  |
|---------------------------------------|--|
| Standards                             | EN/IEC 61131-2type 1+  |
| Product Certifications                | UL<br>FM Class 1 Division 2<br>CSA   |
| Pollution degree                      | 2 IEC 60664-1  |
| Operating altitude                    | <= 6561.68 ft (2000 m)   |
| IP degree of protection               | IP20 conforming to EN 61131-2 class 1  |
| Ambient air temperature for operation | 32...140 °F (0...60 °C) without derating)  |
| Ambient air temperature for operation | 32...140 °F without derating   |
| Ambient air temperature for storage   | -40...185 °F (-40...85 °C) without derating  |
| Ambient air temperature for storage   | -40...185 °F without derating  |
| Relative humidity                     | 95 % 140 °F (60 °C) without condensation   |
| Vibration resistance                  | 3 gn 58...150 Hz 35 x 7.5 mm symmetrical DIN rail<br>5 gn 58...150 Hz 35 x 15 mm symmetrical DIN rail<br>+/-0.35 mm 10...58 Hz |
| Shock resistance                      | 30 gn 11 ms IEC 88 reference 2-27  |

## Ordering and shipping details

|                   |                        |
|-------------------|------------------------|
| Category          | 18215-ADVANTYS STB I/O |
| Discount Schedule | PC32                   |
| GTIN              | 3595863949018          |
| Returnability     | No                     |
| Country of origin | ID                     |

## Packing Units

|                              |                           |
|------------------------------|---------------------------|
| Unit Type of Package 1       | PCE                       |
| Number of Units in Package 1 | 1                         |
| Package 1 Height             | 0.98 in (2.5 cm)          |
| Package 1 Width              | 3.15 in (8.0 cm)          |
| Package 1 Length             | 5.12 in (13.0 cm)         |
| Package 1 Weight             | 4.69 oz (133.0 g)         |
| Unit Type of Package 2       | S02                       |
| Number of Units in Package 2 | 28                        |
| Package 2 Height             | 5.91 in (15.0 cm)         |
| Package 2 Width              | 11.81 in (30.0 cm)        |
| Package 2 Length             | 15.75 in (40.0 cm)        |
| Package 2 Weight             | 9.15 lb(US) (4.15 kg)     |
| Unit Type of Package 3       | PAL                       |
| Number of Units in Package 3 | 448                       |
| Package 3 Height             | 23.62 in (60.0 cm)        |
| Package 3 Width              | 31.50 in (80.0 cm)        |
| Package 3 Length             | 176.38 in (448.0 cm)      |
| Package 3 Weight             | 131.36 lb(US) (59.584 kg) |

## Offer Sustainability

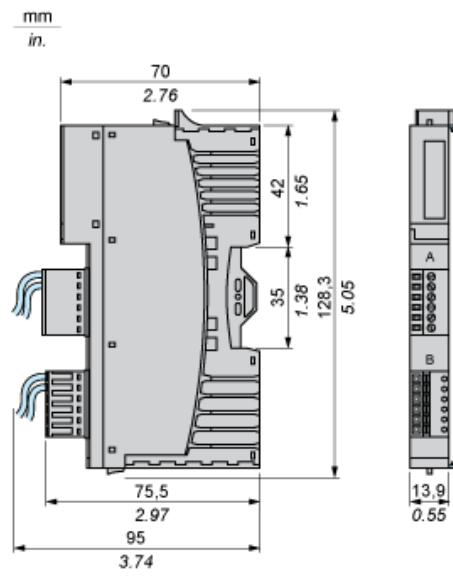
|                           |   |
|---------------------------|---|
| Sustainable offer status  | Green Premium product   |
| California proposition 65 | WARNING: This product can expose you to chemicals including: Lead and lead compounds, which is known to the State of California to cause cancer and birth defects or other reproductive harm. For more information go to <a href="http://www.P65Warnings.ca.gov">www.P65Warnings.ca.gov</a> |
| REACH Regulation          | <a href="#">REACH Declaration</a>   |
| EU RoHS Directive         | Pro-active compliance (Product out of EU RoHS legal scope) <a href="#">EU RoHS Declaration</a>  |
| Mercury free              | Yes   |

|                            |  |
|----------------------------|--|
| China RoHS Regulation      | <a href="#">China RoHS Declaration</a>   |
| RoHS exemption information | <a href="#">Yes</a>  |
| Environmental Disclosure   | <a href="#">Product Environmental Profile</a>  |
| Circularity Profile        | <a href="#">End Of Life Information</a>  |
| WEEE                       | The product must be disposed on European Union markets following specific waste collection and never end up in rubbish bins. |

### Contractual warranty

|          |           |
|----------|-----------|
| Warranty | 18 months |
|----------|-----------|

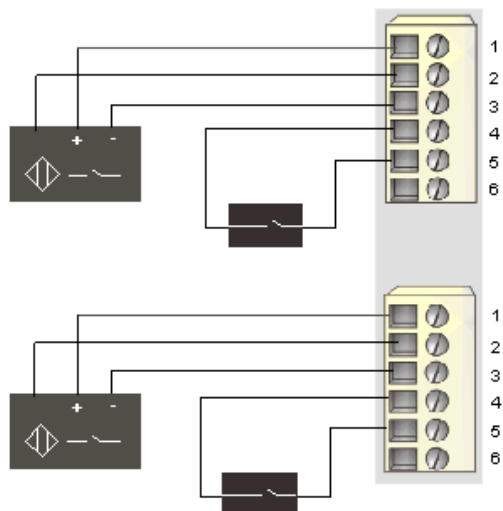
## Dimensions



Wiring Diagram

Example

2 three-wire sensor and 2 two-wire sensor



| Pin | Top Connector  | Bottom Connector                                     |
|-----|--|--|
| 1   | +24 VDC from sensor bus for field device accessories | +24 VDC from sensor bus for field device accessories |
| 2   | input from sensor 1                                  | input from sensor 3                                  |
| 3   | field power return (to the module)                   | field power return (to the module)                   |
| 4   | +24 VDC from sensor bus for field device accessories | +24 VDC from sensor bus for field device accessories |
| 5   | input from sensor 2                                  | input from sensor 4                                  |
| 6   | field power return (to the module)                   | field power return (to the module)                   |