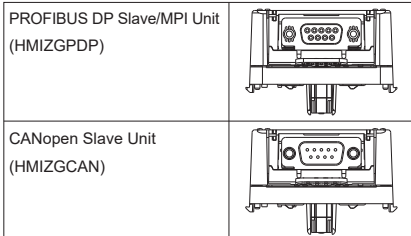
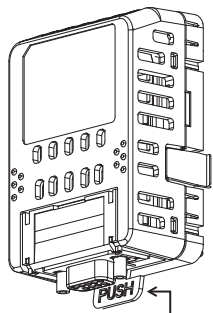


External View



Not for use by the customer.

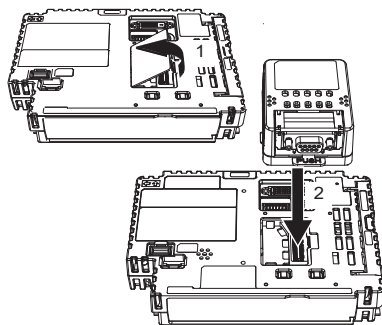
Package Contents

- (1) One of the fieldbus units listed in External View x 1
- (2) Installation Guide x 1 <this guide>

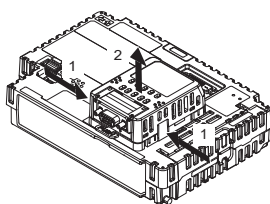
This product has been carefully packed, with special attention to quality. However, should you find anything damaged or missing, please contact your local distributor immediately.

Installation

<To install>



<To remove>



Printed in

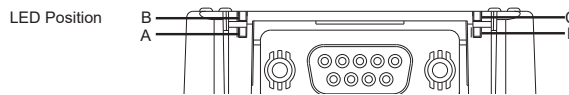
© 2020 Schneider Electric. "All Rights Reserved."
EAV77206 04
06-2020



Pin Assignment

PROFIBUS DP/MPI Interface D-Sub 9 pin socket connector (#4-40 UNC)				CANopen Interface D-Sub 9 pin plug connector (#4-40 UNC)			
Pin No.	Signal	Direction	Meaning	Pin No.	Signal	Direction	Meaning
1	NC	-	No connection	1	NC	-	No connection
2	NC	-	No connection	2	CAN_L	I/O	CAN_L bus line
3	RxD/TxD+	I/O	Data (+)	3	CAN_GND	-	CAN ground
4	CNTR-P	Output	Repeater control signal	4	NC	-	No connection
5	GND	-	Ground	5	NC	-	No connection
6	VCC	-	+5 V (for termination resistance)	6	CAN_GND	-	CAN ground
7	NC	-	No connection	7	CAN_H	I/O	CAN_H bus line
8	RxD/TxD-	I/O	Data (-)	8	NC	-	No connection
9	NC	-	No connection	9	NC	-	No connection
Shell	FG	-	Functional Ground	Shell	FG	-	Functional Ground

Status LED



PROFIBUS DP Slave/MPI Unit (PROFIBUS DP)

Position	LED name	Color	Indicator	Description
A	RUN	Green	ON	Normal operation
B	BF (Bus Failure)	Red	ON	Bus fault Device is not in data exchange mode.
			OFF	No bus fault
C	SF (System Failure)	Red	ON	Device does not detect other masters on the bus.
			OFF	No fault

PROFIBUS DP Slave/MPI Unit (MPI)

Position	LED name	Color	Indicator	Description
A	RUN	Green	ON	Normal operation

CANopen Slave Unit

Position	LED name	Color	Indicator	Description
A	RUN	Green	ON	Operational
			Blinking	Pre-operational
			Single flash	Stopped
			OFF	No error
B	ERR	Red	ON	Bus off
			Blinking	Invalid configuration
			Single flash	Warning limit reached
			Double flash	Heartbeat event

Notes

- This product can be connected to the Harmony GTU Box Module. For the part number of the Box Module, refer to the Harmony GTU User Manual.
- The PROFIBUS DP Slave/MPI Unit can switch between PROFIBUS DP and MPI communication using your screen editing software.
- For the Status LED indicator, refer to the hardware manual of the corresponding fieldbus unit.
- When installing the product, push it in until you hear it click into place, and make sure that the product is securely fixed.
- After detaching the product, re-attach the cover on the rear of Box Module, which you removed at the time of installation.
- Surrounding air temperature: 0...60 °C (32...140 °F)
- Suitable for use in Class I, Division 2, Groups A, B, C, D or non-hazardous locations.
- Suitable for use in Pollution Degree 2 environment.

⚠️ DANGER

ELECTRIC SHOCK AND FIRE

- When using the SG terminal to connect an external device to this product:
- Verify that a short-circuit loop is not created when you set up the system.
- Connect the SG terminal to remote equipment when the external device is not isolated.
- Connect the SG terminal to a known reliable ground connection to reduce the risk of damaging the circuit.

Failure to follow these instructions will result in death or serious injury.

⚠️ CAUTION

LOSS OF COMMUNICATION

- All connections to the communication ports must not put excessive stress on the ports.
- Securely attach communication cables to the panel wall or cabinet.
- Use a D-Sub 9 pin connector that has jack screws.

Failure to follow these instructions can result in injury or equipment damage.

⚠️ DANGER

POTENTIAL FOR EXPLOSION

- Verify that the power, input and output (I/O) wiring are in accordance with Class I, Division 2 wiring methods.
- Substitution of any component may impair suitability for Class I, Division 2.
- Do not disconnect equipment while the circuit is live or unless the area is known to be free of ignitable concentrations.
- Remove power before attaching or detaching any connectors to or from this product.
- Ensure that power, communication, and accessory connections do not place excessive stress on the ports. Consider the vibration in the environment when making this determination.
- Securely attach power, communication, and external accessory cables to the panel or cabinet.
- Do not use this product in hazardous environments or locations other than Class I, Division 2, Group A, B, C, and D.
- Do not connect or disconnect this product unless power has been switched off or the area is known to be non-hazardous.
- Always confirm that this product is suitable for use in hazardous locations by checking the ANSI/ISA 12.12.01 or CSA C22.2 N°213 certification appears on the product labeling.
- Do not install any Schneider Electric or OEM components, equipment, or accessories unless these have also been qualified as suitable for use in Class I, Division 2, Groups A, B, C, and D locations.
- Do not attempt to install, operate, modify, maintain, service, or otherwise alter this product except as permitted in this manual. Unpermitted actions may impair the suitability of this product for Class I, Division 2 operation.

Failure to follow these instructions will result in death or serious injury.

The following message is for UL Hazardous Locations.

⚠️ DANGER

RISQUE D'EXPLOSION

- Avant de déconnecter l'équipement, couper le courant ou s'assurer que l'emplacement est désigné non dangereux.
- Le remplacement de n'importe quel composant peut nuire à la conformité à la Classe I, Division 2.

Le non-respect de ces instructions provoquera la mort ou des blessures graves.

Note

Electrical equipment should be installed, operated, serviced, and maintained only by qualified personnel. No responsibility is assumed by Schneider Electric for any consequences arising out of the use of this material.