



Main

Range of Product	Lexium SD3
Product or Component Type	Motion stepper drive
Device short name	SD328
Supply voltage limits	200...240 V 100...120 V
Bus type	Fieldbus

Complementary

Format of the drive	Block
Phase	Single phase
[Us] rated supply voltage	100...120 V - 15...10 % 200...230 V - 15...10 %
Supply voltage type	AC/DC
Network frequency limits	50...60 Hz - 15...10 %)
Communication interface	Profibus DP fieldbus, Integrated
Maximum motor phase current	2.5 A
Current consumption	3 A 230 V main supply 4 A 115 V main supply ≤ 0.2 mA 24 V control voltage
Nominal power	180 W 115 V 270 W 230 V
Short-circuit current	0.5 kA
Power losses	≤ 26 W
Associated fuse rating	6 A 115 V 6 A 230 V
Overvoltage category	III
Inrush current	60 A
Maximum leakage current	30 mA <32.81 ft (10 m) IEC 60990-3
Voltage state 0 guaranteed	-3...5 V 24 V input signals
Voltage state 1 guaranteed	15...30 V 24 V input signals
Input current	10 mA 24 V input signals
Maximum input frequency	200 KHz signal input ENC_A, ENC_B, ENC_I pulse/direction 400 kHz signal input ENC_A, ENC_B, ENC_I A/B
Maximum output frequency	400 KHz pulse/direction interface A/B 200 kHz pulse/direction interface pulse/direction
Maximum switching current	50 mA 24 V output signals)
Maximum voltage drop	<1 V 50 mA load 24 V output signals
Physical interface	RS422 - pulse/direction interface RS422 - signal input ENC_A, ENC_B, ENC_I
Output voltage	≤ 30 V 24 V output signals) 4.75...5.25 V ENC+5V_OUT signal output)
Input voltage	24 V -15 %/+20 % 24 V control voltage
Residual ripple	< 5 % 24 V control voltage)
Resistance	5 kOhm pulse/direction interface)

Safety function	Safe torque off safety function machine IEC/EN 61800-5-2 Safe torque off safety function machine ISO 13849-1 level d Safe torque off safety function system process EN/IEC 61508 level SIL2 Safe torque off safety function system process IEC/EN 61800-5-2
Type of cooling	Natural convection
Maximum mechanical speed	3000 rpm
Height	5.71 in (145 mm)
Width	2.83 in (72 mm)
Depth	5.51 in (140 mm)
Shock resistance	15 gn 11 ms EN/IEC 60068-2-27
Net Weight	2.43 lb(US) (1.1 kg)

Environment

Electromagnetic compatibility	Electrostatic discharge level 3 EN/IEC 61000-4-2 Immunity to electrical transients level 4 EN/IEC 61000-4-4 Immunity to radiated radio-electrical interference level 3 EN/IEC 61000-4-3 Voltage/current impulse level 3 EN/IEC 61000-4-5
Standards	EN/IEC 61800-3 EN/IEC 61800-5-1 EN/IEC 61800-3 environment 2 EN/IEC 50178 EN/IEC 61800-3 environment 1
Product Certifications	UL TÜV cUL
Marking	CE
Ambient air temperature for operation	32...122 °F (0...50 °C)
Ambient Air Temperature for Storage	-13...158 °F (-25...70 °C)
Pollution degree	Level 2
Relative humidity	5...85 % without condensation
Operating altitude	<= 3280.84 ft (1000 m) without derating > 3280.84...< 6561.68 ft (> 1000...< 2000 m) without derating maximum ambient temperature 40°C, no protective film, lateral distance of > 50mm)
Vibration resistance	1 gn 13...150 Hz)EN/IEC 60068-2-6 1.5 mm 3...13 Hz)EN/IEC 60068-2-6
IP degree of protection	IP20 On upper part IP40 without removal of protective film)

Ordering and shipping details

Category	18285-STEPPER DRIVES
Discount Schedule	PC55
GTIN	3389119224376
Returnability	No
Country of origin	DE

Packing Units

Unit Type of Package 1	PCE
Number of Units in Package 1	1
Package 1 Height	5.24 in (13.3 cm)
Package 1 Width	6.61 in (16.8 cm)
Package 1 Length	7.36 in (18.7 cm)
Package 1 Weight	2.80 lb(US) (1.268 kg)
Unit Type of Package 2	S04
Number of Units in Package 2	6
Package 2 Height	11.81 in (30 cm)
Package 2 Width	15.75 in (40 cm)
Package 2 Length	23.62 in (60 cm)
Package 2 Weight	18.67 lb(US) (8.467 kg)

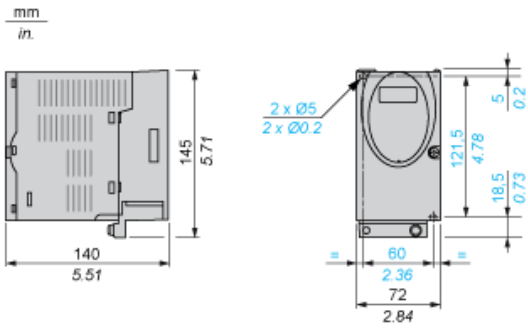
Offer Sustainability

Sustainable offer status	Green Premium product
California proposition 65	WARNING: This product can expose you to chemicals including: Lead and lead compounds, which is known to the State of California to cause cancer and birth defects or other reproductive harm. For more information go to www.P65Warnings.ca.gov
REACH Regulation	REACH Declaration
EU RoHS Directive	Pro-active compliance (Product out of EU RoHS legal scope) EU RoHS Declaration
Mercury free	Yes
China RoHS Regulation	China RoHS Declaration
RoHS exemption information	Yes
Environmental Disclosure	Product Environmental Profile
Circularity Profile	End Of Life Information
PVC free	Yes

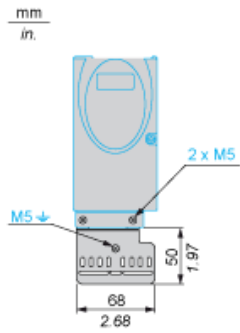
Contractual warranty

Warranty	18 months
----------	-----------

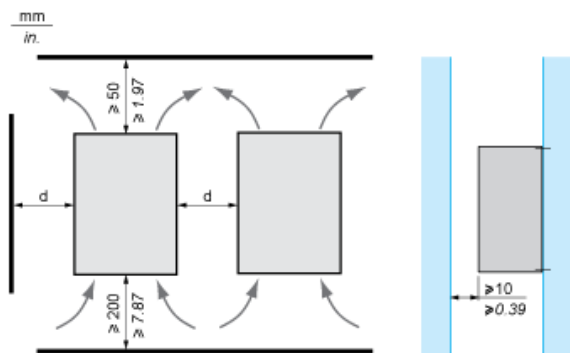
Dimensions



EMC mounting plate (included)



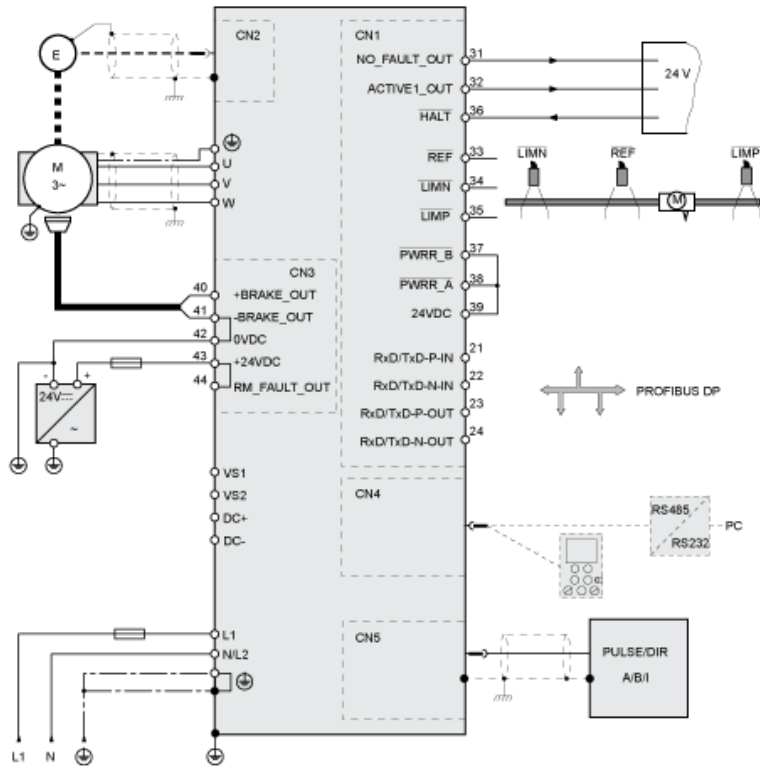
Mounting and Clearance



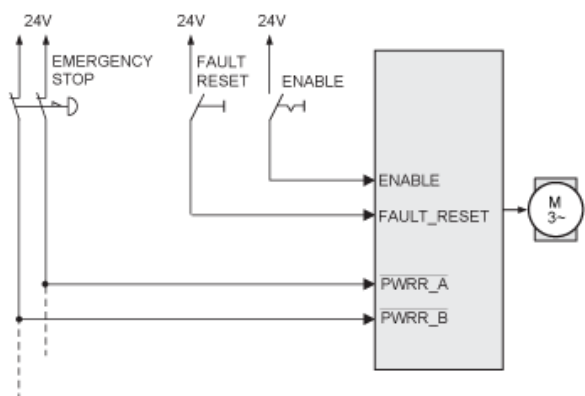
Ambient temperature	Mounting distances	Mounting recommendations	
		Without protective film (1)	With protective film
0 ... +40 °C	d > 50 mm/1.97 in.	None	None
d > 50 mm/1.97 in.	None	d > 10 mm/0.39 in.	
+40 ... +50 °C	d > 50 mm/1.97 in.	None	Reduce nominal and continuous current by 2.2 % per °C above 40 °C
d > 50 mm/1.97 in.	Reduce nominal and continuous current	Operation not possible	

(1) Recommendation: remove protective film after installation.

SD328B Connection Example with Fieldbus Control



Example of Application of the Safety Function: Category 0 Stop



Example of Application of the Safety Function: Category 1 Stop

