



Main

Range of Product	Harmony Electromechanical Relays
Accessory / separate part category	Mounting accessory
Product or Component Type	Maintaining clamp
Product Destination	RXM relay

Complementary

Accessory material	Plastic
Product compatibility	Socket RXZ 2 C/O Socket RXZ 3 C/O Socket RXZ 4 C/O
Sale per indivisible quantity	10
Net Weight	0.01 lb(US) (0.005 kg)

Ordering and shipping details

Category	21128-ZELIO ICE CUBE RELAY ACCESSORIES
Discount Schedule	CP2
GTIN	3389119404303
Returnability	Yes
Country of origin	CN

Packing Units

Unit Type of Package 1	PCE
Number of Units in Package 1	1
Package 1 Height	0.98 in (2.500 cm)
Package 1 Width	0.98 in (2.500 cm)
Package 1 Length	2.36 in (6.000 cm)
Package 1 Weight	0.14 oz (4.000 g)
Unit Type of Package 2	BB1
Number of Units in Package 2	10
Package 2 Height	1.77 in (4.500 cm)
Package 2 Width	1.97 in (5.000 cm)
Package 2 Length	3.94 in (10.000 cm)
Package 2 Weight	1.34 oz (38.000 g)
Unit Type of Package 3	S01
Number of Units in Package 3	200
Package 3 Height	5.91 in (15.000 cm)
Package 3 Width	5.91 in (15.000 cm)
Package 3 Length	15.75 in (40.000 cm)
Package 3 Weight	32.91 oz (933.000 g)

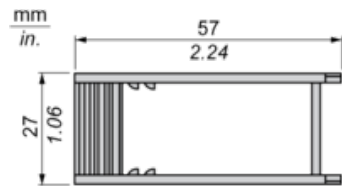
Offer Sustainability

Sustainable offer status	Green Premium product
California proposition 65	WARNING: This product can expose you to chemicals including: Nickel compounds, which is known to the State of California to cause cancer, and Di-isodecyl phthalate (DIDP), which is known to the State of California to cause birth defects or other reproductive harm. For more information go to www.P65Warnings.ca.gov
REACH Regulation	REACH Declaration
REACH free of SVHC	Yes
EU RoHS Directive	Pro-active compliance (Product out of EU RoHS legal scope) EU RoHS Declaration
Toxic heavy metal free	Yes
Mercury free	Yes
China RoHS Regulation	China RoHS Declaration
RoHS exemption information	Yes
Environmental Disclosure	Product Environmental Profile

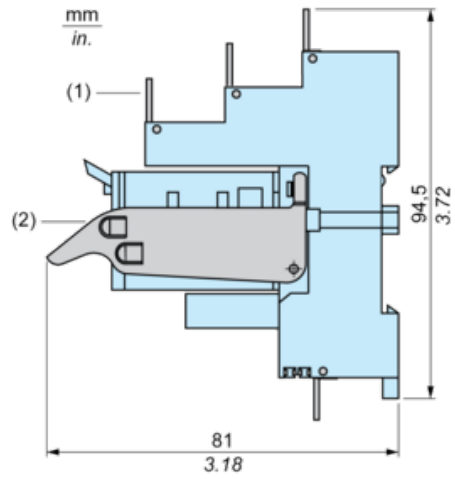
Contractual warranty

Warranty	18 months
----------	-----------

Dimensions



Mounting on All Sockets (1)



- (1) Clip-in legends for all sockets except RXZE2M114
- (2) Plastic clamp