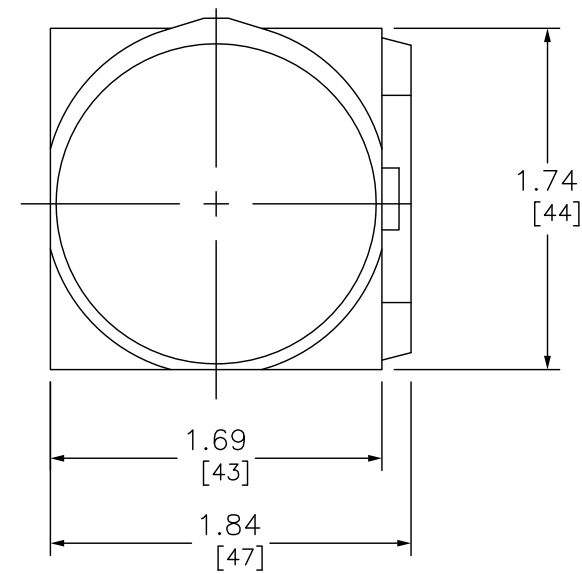
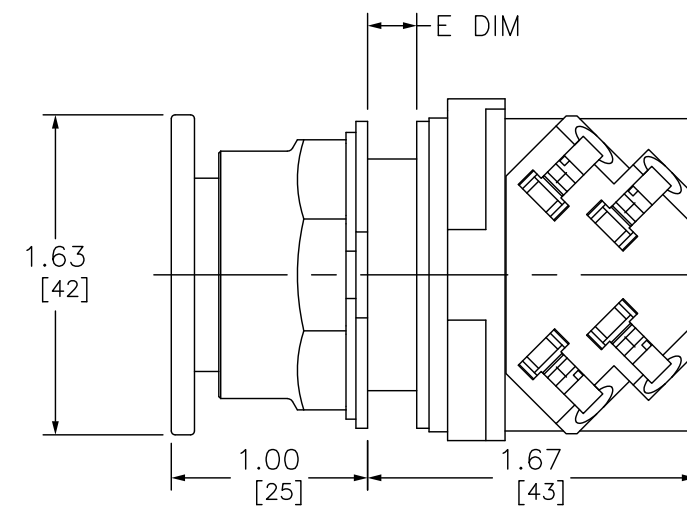


PANEL THICKNESS E DIM		NUMBER OF GASKET
IN	MM	
.06	2	4
.13	3	3
.19	5	2
.25	6	1



FRONT



RIGHT

CATALOG# 9001KR9H13

DUAL DIMENSIONS: INCHES
MILLIMETERS

PUSHBUTTON 600VAC 30MM TYPE K
9001KR9RH13



DWG# 9001KR9RH13
NO.