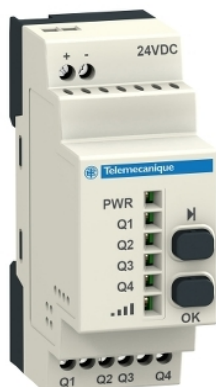


XZBWR2STT24

Programmable receiver, 4 PNP, 200 mA, 24 V DC, 2 pusbuttons, 6 LEDs



Main

Product or Component Type	Programmable receiver
Device Application	Interface to PLC
Product compatibility	Radio transmitter XZBWE

Complementary

Function of module	Receiver unit for remote sensor
Maximum number of transceivers	ZigBee <2
Nominal output current	0.8 A 24 V DC
Output Type	Transistor PNP
Output contacts	4 PNP
Time delay range	0.5 s - 15...15 %)
Starting time	<= 400 ms
Maximum switching current	200 mA DC
Minimum switching current	10 mA
[Us] Rated Supply Voltage	24 V DC - 15...20 %
Maximum voltage drop	<2 V 200 mA)
Communication port protocol	Zigbee green power 2.4 GHz
Maximum sensing distance	328.08 Ft (100 m) in free field 82.02 ft (25 m) in a metal enclosure
Response Time	< 30 ms after sensor change
Number of channels	2 per receiver
Utilisation category	DC-13 EN/IEC 60947-5-1
Maximum power consumption in W	26 W DC
Breaking capacity	4.8 W per output)
Short-circuit protection	1 A fuse fast blow
Operating position	Any position without derating
Electrical connection	1 conductor cable 0.00...0.00 in ² (0.14...2.5 mm ²) AWG 26...AWG 14 solid without cable end IEC 60947-1 2 conductors cable 0.00...0.00 in ² (0.14...1.5 mm ²) AWG 26...AWG 16 solid without cable end IEC 60947-1 1 conductor cable 0.00...0.01 in ² (0.14...4 mm ²) AWG 26...AWG 12 flexible with cable end IEC 60947-1 2 conductors cable 0.00...0.00 in ² (0.14...1.5 mm ²) AWG 26...AWG 16 flexible with cable end IEC 60947-1
Tightening torque	4.43...8.85 lbf.in (0.5...1 N.m) EN/IEC 60947-1
Housing material	Self-extinguishing plastic
Status LED	1 LED Green power ON 1 LED green and yellow reception signal 4 LEDs Green output active
Mounting support	35 mm symmetrical DIN rail conforming to EN/IEC 60715 Mounting plate
Rated short-duration power frequency withstand voltage	1 kV 50 Hz EN/IEC 60947-5-1

[Uimp] rated impulse withstand voltage	0.8 kV
Width	1.42 in (36 mm)
Height	4.25 in (108 mm)
Depth	2.95 in (75 mm)
Net Weight	0.29 lb(US) (0.13 kg)
Marking	CE

Environment

Surge withstand	0.5 kV differential mode IEC 61000-4-5 1 kV common mode IEC 61000-4-5
Standards	EN/IEC 60947-5-1 EN/IEC 60947-1
Ambient Air Temperature for Storage	-40...158 °F (-40...70 °C)
Relative humidity	90 % -4...131 °F (-20...55 °C), without condensation ETSI EN 300 328
Vibration resistance	+/- 7.5 mm 5...14 Hz)IEC 60068-2-6 2 gn 8...150 Hz)IEC 60068-2-6
Shock resistance	10 gn 16 ms) 6000 shocks IEC 60068-2-27
IP degree of protection	IP20 IEC 60529 casing) IP20 IEC 60529 terminals)
Pollution degree	2 IEC 60664-1
Overvoltage category	III IEC 60664-1
Insulation resistance	> 500 MOhm 500 V DC NF C 20-030
[Ui] rated insulation voltage	60 V IEC 60664-1
Electromagnetic compatibility	Immunity for industrial environments conforming to EN/IEC 61000-6-2 Conducted and radiated emissions class B conforming to CISPR 22 Electrostatic discharge immunity test 8 kV in free air (in insulating parts) conforming to IEC 61000-4-2 Electrostatic discharge immunity test 6 kV on contact (on metal parts) conforming to IEC 61000-4-2 Susceptibility to electromagnetic fields 10 V/m, 80 MHz...1 GHz at 3 m conforming to IEC 61000-4-3 Susceptibility to electromagnetic fields 3 V/m, 1.4 MHz...2 GHz at 3 m conforming to IEC 61000-4-3 Electrical fast transient/burst immunity test 2 kV power supply wires conforming to IEC 61000-4-4 Conducted RF disturbances 10 V conforming to IEC 61000-4-6 Radiated emission conforming to ETSI EN 301 489-17 Conducted emission conforming to ETSI EN 301 489-17 Radiated emission conforming to ETSI EN 300 328 Electrical fast transient/burst immunity test 1 kV PNP output wires conforming to IEC 61000-4-4 1.2/50 µs shock waves immunity test 0.5 kV differential mode conforming to IEC 61000-4-5 1.2/50 µs shock waves immunity test 1 kV common mode conforming to IEC 61000-4-5 Immunity to microbreaks and voltage drops 7 ms conforming to IEC 61000-4-11

Ordering and shipping details




Category	22412-LIMIT SWITCHES,IEC,XCKW WIRELESS
Discount Schedule	T
GTIN	3389119623964
Returnability	Yes

Packing Units

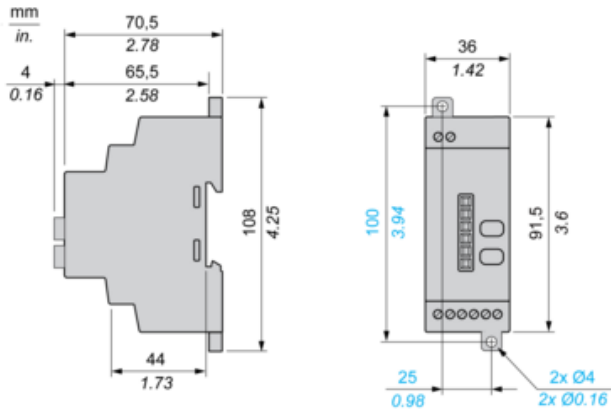
Unit Type of Package 1	PCE
Number of Units in Package 1	1
Package 1 Height	5.12 in (13.0 cm)
Package 1 Width	3.86 in (9.8 cm)
Package 1 Length	1.73 in (4.4 cm)
Package 1 Weight	4.51 oz (128.0 g)
Unit Type of Package 2	S02
Number of Units in Package 2	22
Package 2 Height	5.91 in (15.0 cm)

Package 2 Width	11.81 in (30.0 cm)
Package 2 Length	15.75 in (40.0 cm)
Package 2 Weight	6.92 lb(US) (3.137 kg)

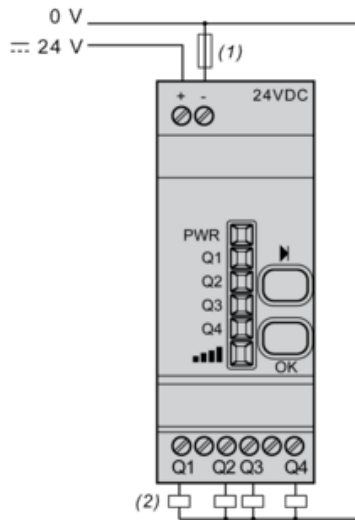
Offer Sustainability

California proposition 65	WARNING: This product can expose you to chemicals including: Diisononyl phthalate (DINP), which is known to the State of California to cause cancer, and Di-isodecyl phthalate (DIDP), which is known to the State of California to cause birth defects or other reproductive harm. For more information go to www.P65Warnings.ca.gov
REACH Regulation	 REACH Declaration
EU RoHS Directive	Pro-active compliance (Product out of EU RoHS legal scope)  EU RoHS Declaration
Mercury free	Yes
RoHS exemption information	 Yes

Receiver Dimensions



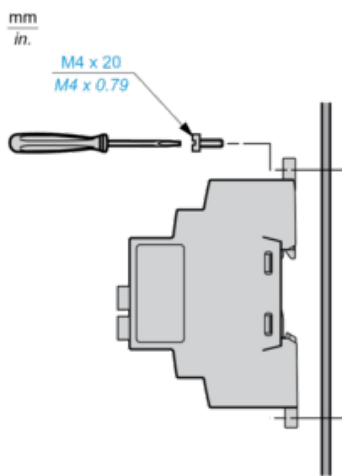
Receiver Wiring Diagram



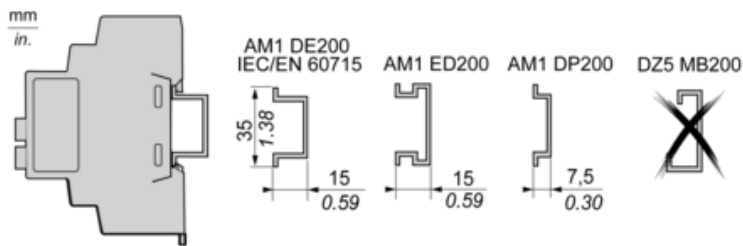
(1) 400 mA fast-blow fuse

(2) $I_{max} = 200 \text{ mA}$

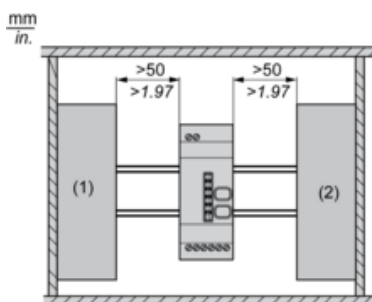
Receiver Mounting



Receiver Mounting

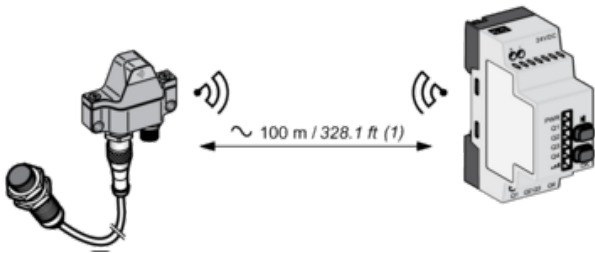


Receiver Mounting



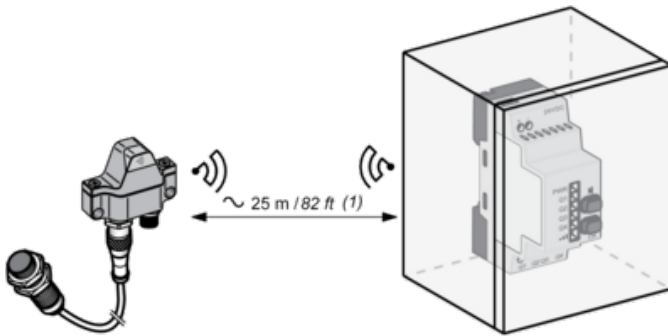
- (1) Drive
- (2) Power Supply or PLC

Unobstructed Mounting



(1) Typical values that may be modified by the application environment.

Mounting in a Metal Cabinet



(1) Typical values that may be modified by the application environment.