



Main

| | |
|---------------------------|-------------------------------|
| Range of Product | Harmony SCU |
| Product or Component Type | Small touchscreen display HMI |
| Display size | 5.7 inch |
| Pixel resolution | 320 x 240 pixels QVGA |

Complementary

| | |
|-------------------------|---|
| Display type | Backlit LED colour TFT LCD |
| Touch panel | Analogue |
| Backlight lifespan | 50000 hours 65536 colours |
| Brightness | 16 levels via touch panel |
| View angle horiz x vert | 60° left 60° right 40° top 60° bottom |
| Character font | Korean Chinese (simplified Chinese) ASCII Taiwanese (traditional Chinese) Japanese (ANK, Kanji) |
| Height | 5.08 in (129.15 mm) |
| Width | 6.42 in (163 mm) |
| Depth | 5.09 in (129.4 mm) |
| Net Weight | 0.89 lb(US) (0.405 kg) |

Environment

| | |
|------------------------|------|
| Product Certifications | UKCA |
|------------------------|------|

Ordering and shipping details

| | |
|-------------------|----------------------------------|
| Category | 22569-MAGELIS XBT-GT (AND XBT-G) |
| Discount Schedule | MC2 |
| GTIN | 3595864149059 |
| Returnability | Yes |
| Country of origin | CN |

The information provided in this documentation contains general descriptions and/or technical characteristics of the performance of the products contained herein. This documentation is not intended as a substitute for and is not to be used for determining suitability or reliability of these products for specific user applications. It is the duty of any such user or integrator to perform the appropriate and complete risk analysis, evaluation and testing of the products with respect to the relevant specific application or use thereof. Neither Schneider Electric Industries SAS nor any of its affiliates or subsidiaries shall be responsible or liable for misuse of the information contained herein.

Packing Units

| | |
|------------------------------|--------------------|
| Unit Type of Package 1 | PCE |
| Number of Units in Package 1 | 1 |
| Package 1 Height | 7.24 in (18.4 cm) |
| Package 1 Width | 2.20 in (5.6 cm) |
| Package 1 Length | 10.51 in (26.7 cm) |
| Package 1 Weight | 23.28 oz (660 g) |

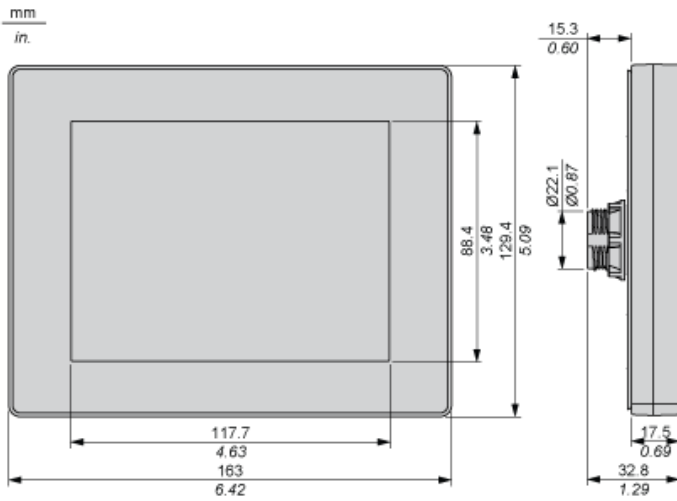
Offer Sustainability

| | |
|----------------------------|---|
| Sustainable offer status | Green Premium product |
| California proposition 65 | WARNING: This product can expose you to chemicals including: Lead and lead compounds, which is known to the State of California to cause cancer and birth defects or other reproductive harm. For more information go to www.P65Warnings.ca.gov |
| REACH Regulation | REACH Declaration |
| EU RoHS Directive | Pro-active compliance (Product out of EU RoHS legal scope) EU RoHS Declaration |
| Mercury free | Yes |
| China RoHS Regulation | China RoHS Declaration |
| RoHS exemption information | Yes |
| Environmental Disclosure | Product Environmental Profile |
| Circularity Profile | End Of Life Information |
| WEEE | The product must be disposed on European Union markets following specific waste collection and never end up in rubbish bins. |
| Upgradeability | Upgradeable through digital modules and upgraded components |

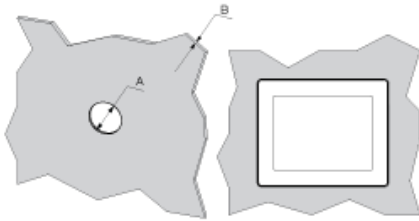
Contractual warranty

| | |
|----------|-----------|
| Warranty | 18 months |
|----------|-----------|

Dimensions of 5.7-inches Display Module

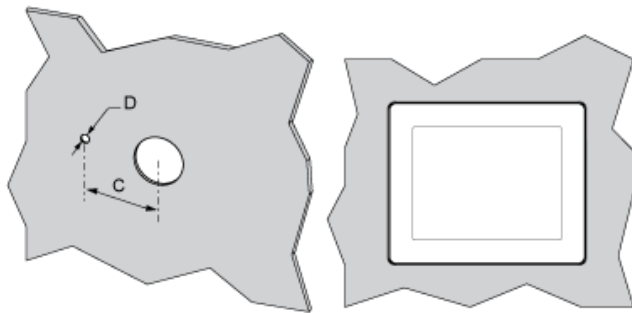


Mounting Without an Anti-Rotation Tee



| A | B (1) | B (2) |
|--|---------------------------------|-------------------------------|
| 22.50 ^{0/-0.30} mm (0.88 ^{0/-0.01} in.) | 1.5...6 mm (0.06...0.23 in.) | 3...6 mm (0.11...0.23 in.) |

Mounting With an Anti-Rotation Tee



| C | D |
|---|--|
| 30 ^{0/-0.20} mm (1.18 ^{0/-0.0007} in.) | 4 ^{0/-0.20} mm (0.15 ^{0/-0.0007} in.) |