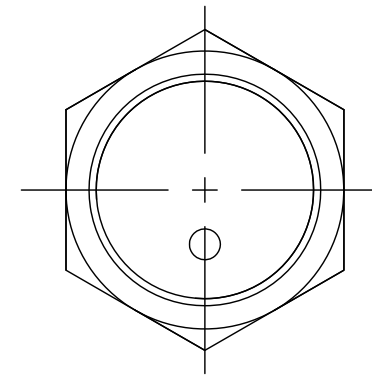


FRONT



RIGHT

DUAL DIMENSIONS: INCHES  
MILLIMETERS

PROXIMITY SENSOR 30MM DC PNP XS6



DWG# XS630B1PBL2  
NO.