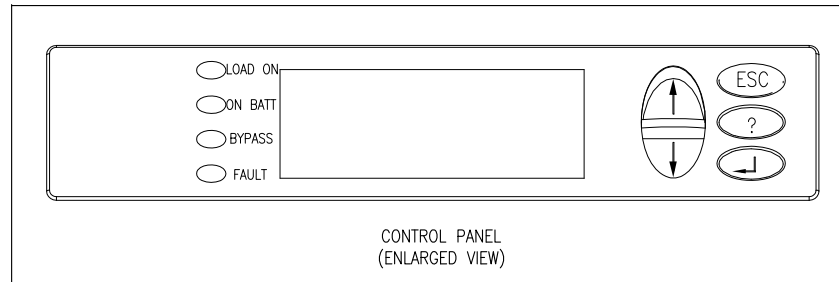
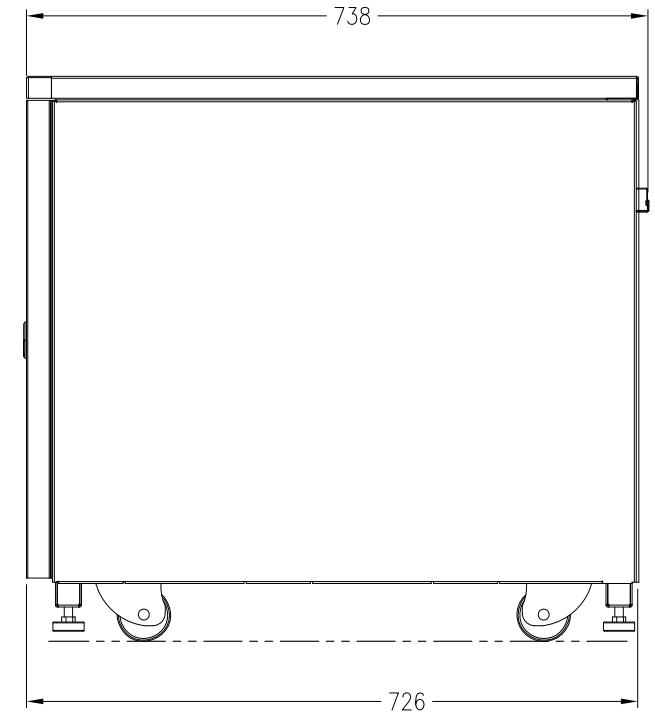


FRONT VIEW



CONTROL PANEL
(ENLARGED VIEW)



VIEW-B

NOTES:

1. INSTALLATION MUST COMPLY WITH NATIONAL, STATE AND LOCAL ELECTRICAL REGULATIONS.
2. PLEASE REFER TO PRODUCT DOCUMENTATION FOR FURTHER INFORMATION.
3. ALL DIMENSIONS ARE IN MILLIMETERS, UNLESS OTHERWISE SPECIFIED.
4. NET WEIGHT OF THE UNIT IS 202 kg.
5. CABLE ENTRY IS REAR SIDE OF THE UNIT.
6. AIR FLOW AND SERVICE REQUIREMENTS, AS WELL AS MINIMUM CLEARANCE TO FIRE SUPPRESSION SYSTEMS SHOULD BE CONSIDERED WHEN LOCATING THE UNIT.

THIS DRAWING AND SPECIFICATIONS HEREIN ARE THE PROPERTY OF SCHNEIDER ELECTRIC AND SHALL NOT BE COPIED, REPRODUCED OR USED IN WHOLE OR IN PART, AS THE BASIS FOR THE MANUFACTURE OR SALE OF ITEMS WITHOUT WRITTEN PERMISSION FROM SCHNEIDER ELECTRIC. THIS DRAWING IS BASED UPON LATEST AVAILABLE INFORMATION AND IS SUBJECT TO CHANGE WITHOUT NOTICE.

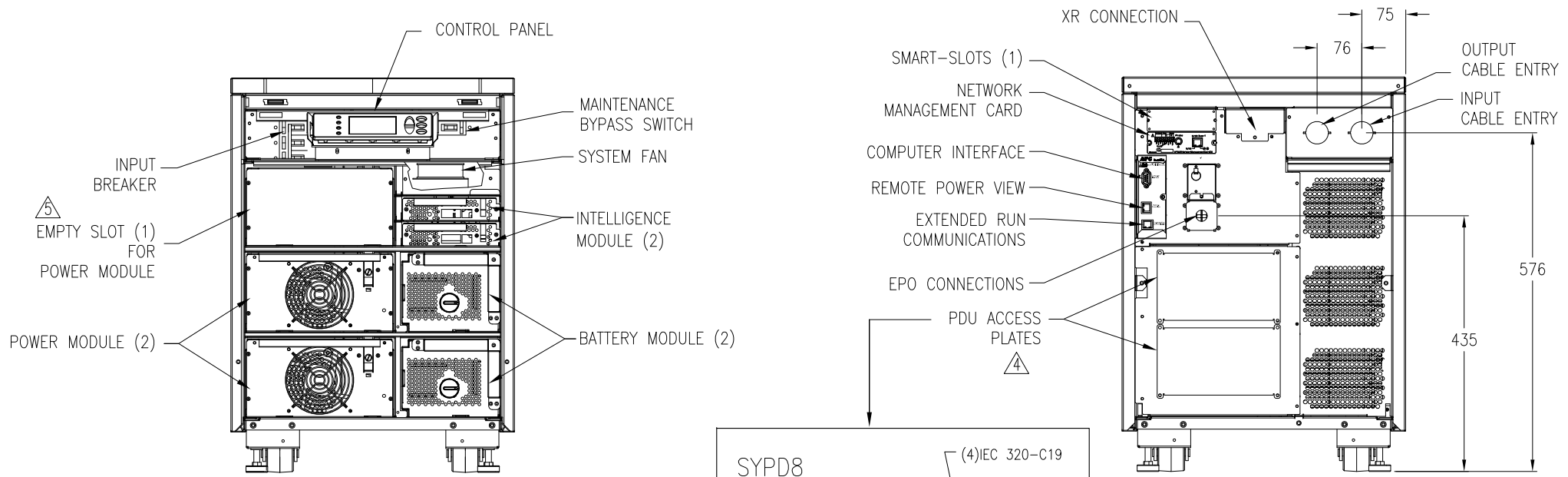


TITLE: SYMMETRA LX 8kVA TOWER
 INPUT: 220/230/230VAC (1φ+N+G) 50/60Hz
 OR 380/400/415VAC (3φ+N+G) 50/60Hz
 OUTPUT: 220/230/240VAC 50/60Hz
 MAIN MECHANICAL

DWG NO: SYA8K81-MM1 REV. 2

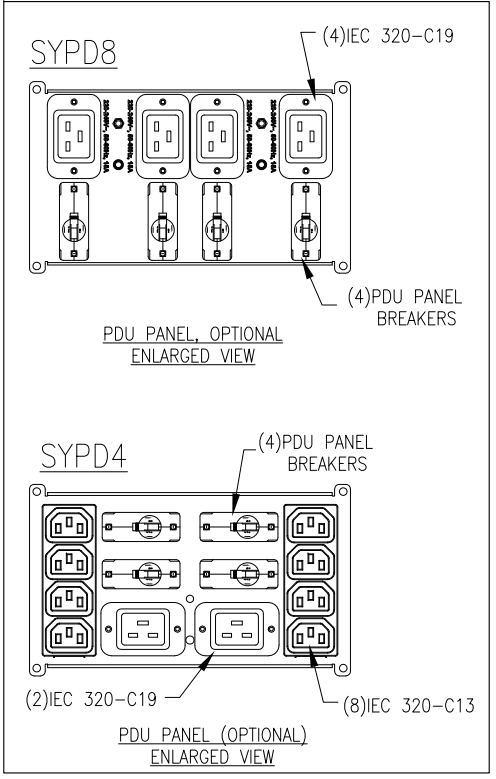
DRAWN: K NAGENDRA	06-JAN-09	PROJ. ANGLE N/A
ENGINEER: K WHITE	06-JAN-09	
APPROVED: N WHITING	06-JAN-09	

PROJECT: SUBMITTAL DRAWINGS SHEET 1 OF 3



FRONT VIEW
(DOOR REMOVED)

REAR VIEW



PDU PANEL, OPTIONAL
ENLARGED VIEW

PDU PANEL (OPTIONAL)
ENLARGED VIEW

NOTES:

1. INSTALLATION MUST COMPLY WITH NATIONAL, STATE AND LOCAL ELECTRICAL REGULATIONS.
2. PLEASE REFER TO PRODUCT DOCUMENTATION FOR FURTHER INFORMATION.
3. ALL DIMENSIONS ARE IN MILLIMETERS, UNLESS OTHERWISE SPECIFIED.
- △ 4. UP TO TWO (2), OPTIONAL, SYMMETRA LX PDU PANELS CAN BE PURCHASED SEPARATELY AND INSTALLED TO PROVIDE FURTHER LOAD CONNECTIONS.
- △ 5. THE SYMMETRA LX, SKU NUMBER SYA8K81, IS SHOWN IN A NON-REDUNDANT CONFIGURATION, HAVING TWO (2) POWER MODULES (SYPM4KI) AND TWO (2) BATTERY MODULES (SYBT5), PROVIDING UP TO 8kVA POWER. A FURTHER POWER MODULE (SYPM4KI) CAN BE PURCHASED SEPARATELY AND INSTALLED IN THE SYSTEM, PROVIDING REDUNDANCY.

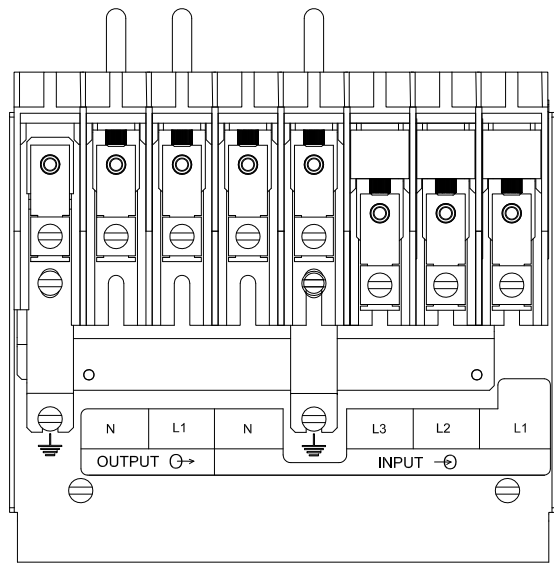
THIS DRAWING AND SPECIFICATIONS HEREIN ARE THE PROPERTY OF SCHNEIDER ELECTRIC AND SHALL NOT BE COPIED, REPRODUCED OR USED IN WHOLE OR IN PART, AS THE BASIS FOR THE MANUFACTURE OR SALE OF ITEMS WITHOUT WRITTEN PERMISSION FROM SCHNEIDER ELECTRIC. THIS DRAWING IS BASED UPON LATEST AVAILABLE INFORMATION AND IS SUBJECT TO CHANGE WITHOUT NOTICE.



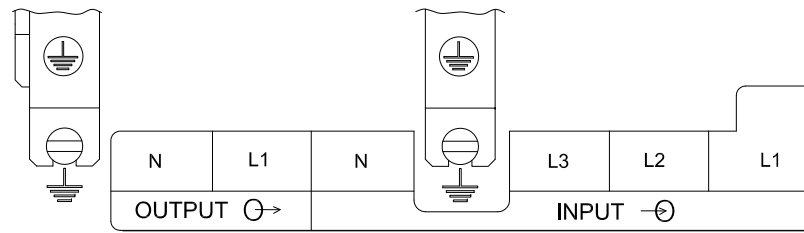
TITLE: SYMMETRA LX 8kVA TOWER
 INPUT: 220/230/230VAC (1φ+N+G) 50/60Hz
 OR 380/400/415VAC (3φ+N+G) 50/60Hz
 OUTPUT: 220/230/240VAC 50/60Hz
 INTERNAL VIEWS

DWG NO: SYA8K81-MM2
 DRAWN: K NAGENDRA
 ENGINEER: K WHITE
 APPROVED: N WHITING

REV: 2
 PROJ. ANGLE
 N/A

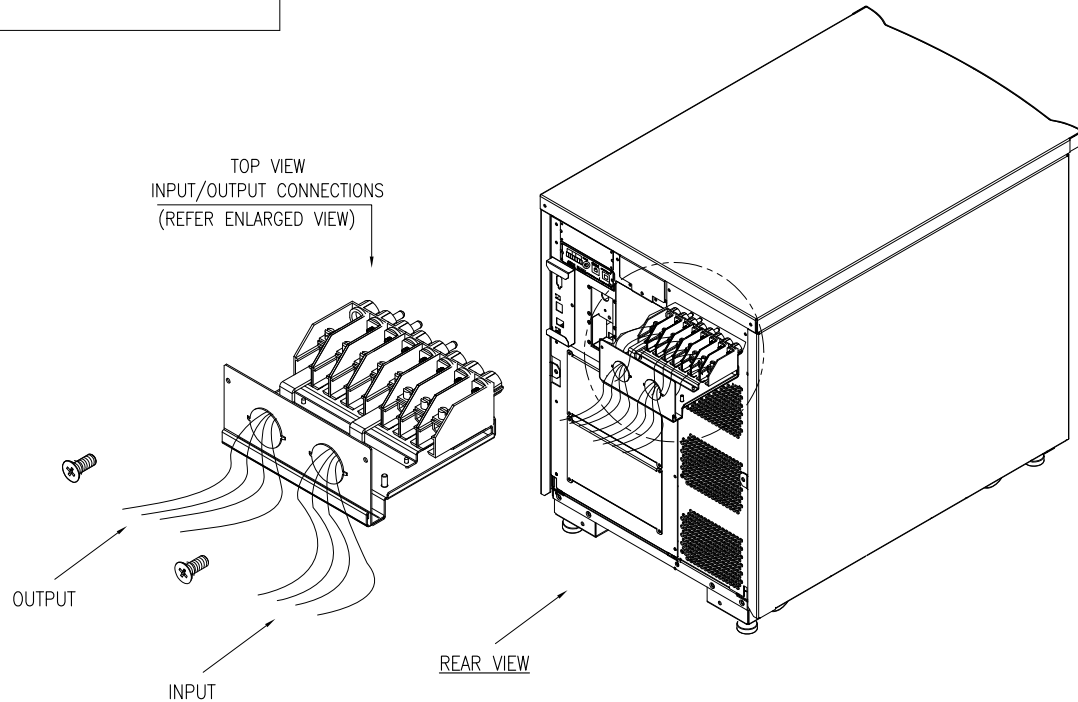


TOP VIEW (ENLARGED)
INPUT/OUTPUT CONNECTIONS



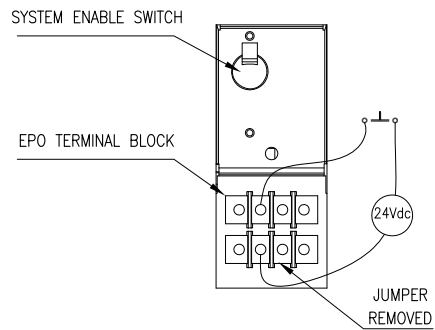
INPUT/OUTPUT CONNECTIONS

TOP VIEW
INPUT/OUTPUT CONNECTIONS
(REFER ENLARGED VIEW)

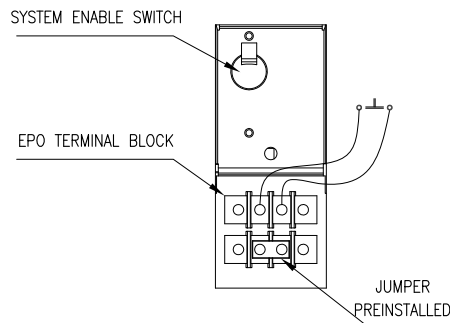


REAR VIEW

IF REQUIRED: Connect the Remote Emergency Power Off (REPO) circuit on the UPS



IF INSTALLATION USES
A SWITCH CONTACT
AND A 24Vdc POWER SUPPLY
EXTERNAL TO THE UPS



IF INSTALLATION USES
SINGLE EXTERNAL
SWITCH CONTACT.

NOTES:

1. INSTALLATION MUST COMPLY WITH NATIONAL, STATE AND LOCAL ELECTRICAL REGULATIONS.
2. PLEASE REFER TO PRODUCT DOCUMENTATION FOR FURTHER INFORMATION.

THIS DRAWING AND SPECIFICATIONS HEREIN ARE THE PROPERTY OF SCHNEIDER ELECTRIC AND SHALL NOT BE COPIED, REPRODUCED OR USED IN WHOLE OR IN PART, AS THE BASIS FOR THE MANUFACTURE OR SALE OF ITEMS WITHOUT WRITTEN PERMISSION FROM SCHNEIDER ELECTRIC. THIS DRAWING IS BASED UPON LATEST AVAILABLE INFORMATION AND IS SUBJECT TO CHANGE WITHOUT NOTICE.



TITLE: SYMMETRA LX 8kVA TOWER
INPUT: 220/230/230VAC (1φ+N+G) 50/60Hz
OR 380/400/415VAC (3φ+N+G) 50/60Hz
OUTPUT: 220/230/240VAC 50/60Hz
INPUT/OUTPUT & EPO CONNECTIONS

PROJECT: SUBMITTAL DRAWINGS SHEET 3 OF 3

DWG NO: SYA8K81-ME
DRAWN: K NAGENDRA
ENGINEER: K WHITE
APPROVED: N WHITING

REV. 2
PROJ. ANGLE
N/A