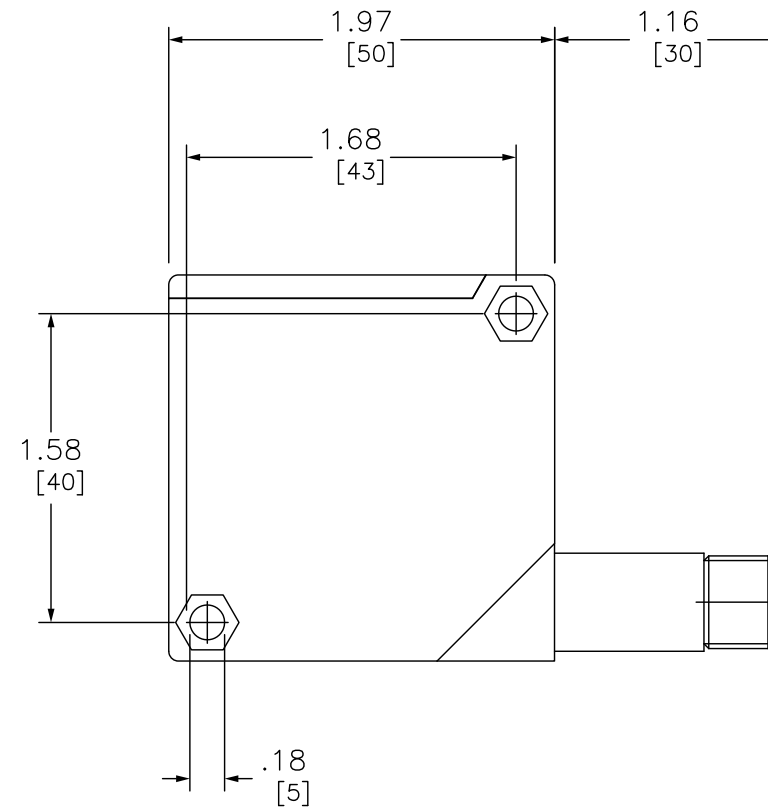


FRONT



RIGHT

DUAL DIMENSIONS: INCHES
MILLIMETERS

PHOTOELECTRIC SENSOR 50X50 PNP XUK



DWG# XUK9APANM12
NO.