

HMISTM6BOX

Basic HMI Gateway Box STM6 for Faceless HMI application



Main

Range of Product	Harmony STM6
Product or Component Type	Modular HMI box
Operating System	Linux
Processor name	ARM Cortex-A8

Complementary

[Us] rated supply voltage	24 V DC power supply
Local signalling	LED multi-colour status
Software package	EcoStruxure Operator Terminal Expert Web viewer
Processor frequency	800 MHz
Port Ethernet	10BASE-T/100BASE-T
Data storage equipment	1 GB Flash disk NAND
Memory description	512 kB backup memory 512 MB internal 1 GB flash
Integrated connection type	2 Ethernet TCP/IP - RJ45 COM1 serial link - SUB-D 9 - RS232C/RS422/RS485 2400...115200 bps USB 2.0 port - micro B USB Display port - RJ45 1 USB 2.0 port - USB type A
Type of cooling	Natural convection
Realtime clock	Built-in
Height	3.98 in (101 mm)
Width	5.93 in (150.5 mm)
Depth	2.49 in (63.3 mm)
Net Weight	1.01 lb(US) (0.456 kg)

The information provided in this documentation contains general descriptions and/or technical characteristics of the products contained herein. This documentation is not intended as a substitute for and is not to be used for determining suitability or reliability of these products for specific user applications. It is the duty of any such user or integrator to perform the appropriate and complete risk analysis, evaluation and testing of the products with respect to the relevant specific application or use thereof. Neither Schneider Electric Industries SAS nor any of its affiliates or subsidiaries shall be responsible or liable for misuse of the information contained herein.

Environment

Standards	CSA C22.2 No 142 ANSI/ISA 12-12-01 UL 508 CSA C22.2 No 213 IEC 61132-2
Product Certifications	CE UKCA CULus RCM KC CULus Class 1 Division 2 DNV ABS RINA BV
Pollution degree	2 EN 61131-2 Ed.3
Ambient Air Temperature for Operation	32...140 °F (0...60 °C)
Ambient Air Temperature for Storage	-4...140 °F (-20...60 °C)
Relative humidity	10...90 % non-condensing
Operating altitude	2000
Shock resistance	147 m/s ² EN/IEC 61131-2
Vibration resistance	3.5 mm constant amplitude 5...9 Hz) EN/IEC 61131-2 9.8 m/s ² 9...150 Hz) EN/IEC 61131-2
Electromagnetic compatibility	Electrostatic discharge immunity test EN/IEC 61000-4-2 level 3



Ordering and shipping details

Category	22565-HARMONY BASIC HMI
Discount Schedule	MC2
GTIN	3606481856432
Returnability	No
Country of origin	ID

Packing Units

Unit Type of Package 1	PCE
Number of Units in Package 1	1
Package 1 Height	3.54 in (9.0 cm)
Package 1 Width	6.93 in (17.6 cm)
Package 1 Length	10.43 in (26.5 cm)
Package 1 Weight	23.81 oz (675.0 g)
Unit Type of Package 2	S03
Number of Units in Package 2	6
Package 2 Height	11.81 in (30 cm)
Package 2 Width	11.81 in (30 cm)
Package 2 Length	15.75 in (40 cm)
Package 2 Weight	10.79 lb(US) (4.895 kg)
Package 3 Height	31.50 in (80 cm)

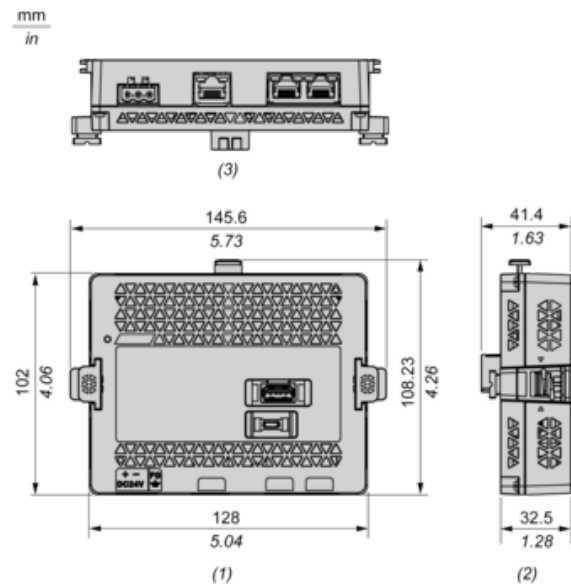
Offer Sustainability

Sustainable offer status	Green Premium product
California proposition 65	WARNING: This product can expose you to chemicals including: Lead and lead compounds, which is known to the State of California to cause cancer and birth defects or other reproductive harm. For more information go to www.P65Warnings.ca.gov
REACH Regulation	 REACH Declaration
EU RoHS Directive	Pro-active compliance (Product out of EU RoHS legal scope)  EU RoHS Declaration
Mercury free	Yes

China RoHS Regulation	China RoHS Declaration
RoHS exemption information	Yes
Environmental Disclosure	Product Environmental Profile
Circularity Profile	End Of Life Information
WEEE	The product must be disposed on European Union markets following specific waste collection and never end up in rubbish bins.

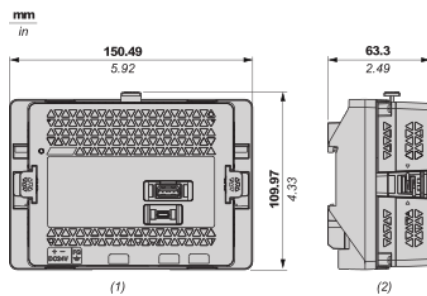
Dimensions

External dimensions



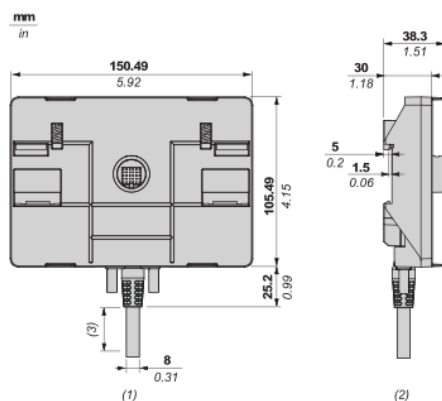
- (1) : Front
- (2) : Right
- (3) : Bottom

Dimension with installation adapter



- (1) : Front
- (2) : Right

Dimension with separation cable



(1) : Front

(2) : Right

(3) : To assemble this product, 20 mm (0.78 in) or more space required to bend the rubber portion at the end of the cable.