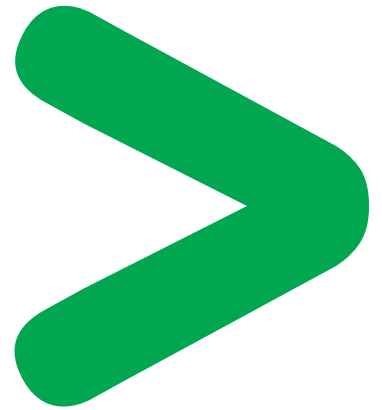


Product End-of-Life Instructions

Quantum Automation Platform



Product Range

QUANTUM CPU Double Size units

Marketing Model

140CPU65150, 140CPU65160, 140CPU65160S, 140CPU65860, 140CPU67060, 140CPU67160, 140CPU67160S, 140CPU67260, 140CPU67261, 140CPU67861



Size in mm:

H x L x D : 82 x 129 x 250

Weight in g:

Between 1000 and 1500 without battery

Between 1030 and 1530 with batteries

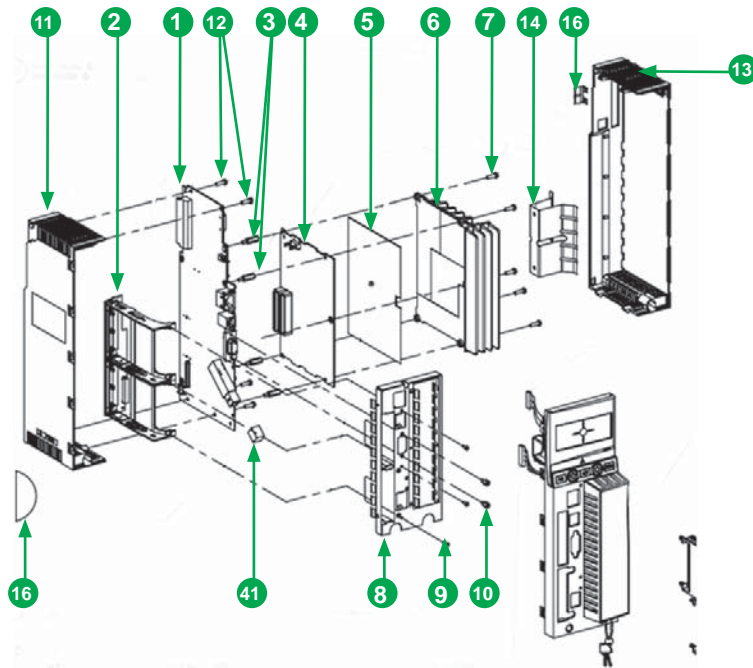
Operations recommended for the end of life treatment

There are several steps to process the products at the end of life so as to recover components, materials or energy :

Reuse ⇒ Separation for special treatment ⇒ Other Dismantling ⇒ Shredding

The components of the products that optimize the recycling performances are listed, identified and located hereunder.

CAUTION: None.



Recommendation	Number on drawing	Components	Weight (g)	Comment
Special treatment		Battery	30	Remove battery
		LCD Display	50	Remove LCD
	1 and 4	PCBA	250	-
Other dismantling	11 and 13	Polycarbonate Plastic (PC)	250	Nickel Plating
	6	Aluminium	180	Valorisation

Product Range

QUANTUM Power Supply

Marketing Model

140CPS11420, 140CPS12400, 140CPS12420, 140CPS21100, 140CPS21400, 140CPS22400, 140CPS41400, 140CPS42400, 140CPS51100, 140CPS52400, 470IPS25800



Size in mm:

H x L x D : 41 x 99 x 250

Weight in g:

Between 300 and 600

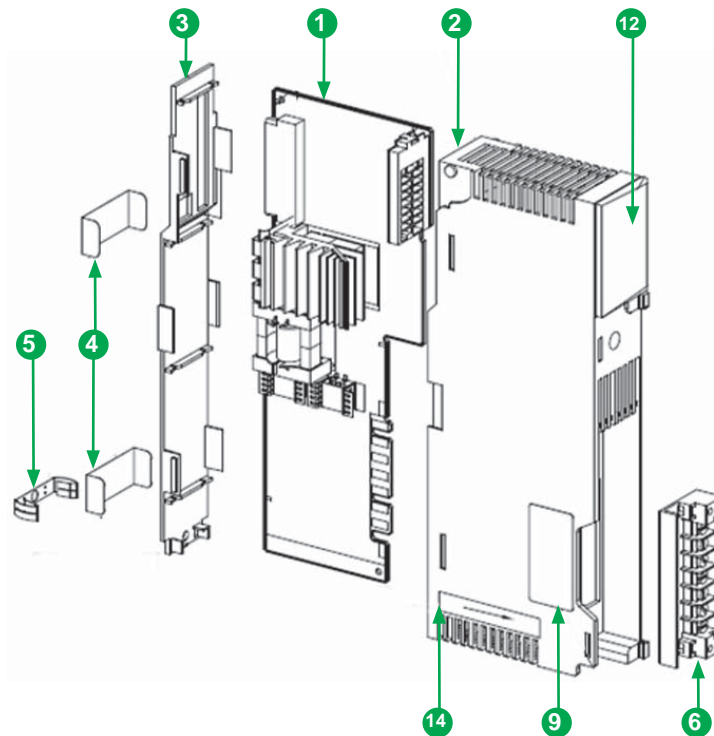
Operations recommended for the end of life treatment

There are several steps to process the products at the end of life so as to recover components, materials or energy :

Reuse ⇒ Separation for special treatment ⇒ Other Dismantling ⇒ Shredding

The components of the products that optimize the recycling performances are listed, identified and located hereunder.

CAUTION: None.



Recommendation	Number on drawing	Components	Weight (g)	Comment
Special treatment	6	Terminal block (PBT)	60	Contains Brominated FR
	1	PCBA	200	-
Other dismantling	2	Polycarbonate Plastic (PC)	177	Valorisation

Product Range

QUANTUM Single Slot CPU with battery

Marketing Model

140CPU11302, 140CPU11303, 140CPU31110, 140CPU43412U, 140CPU53414, 140CPU53414A 140CPU53414B, 140CPU53414U



Size in mm:

H x L x D : 41 x 99 x 250

Weight in g:

Between 280 and 830

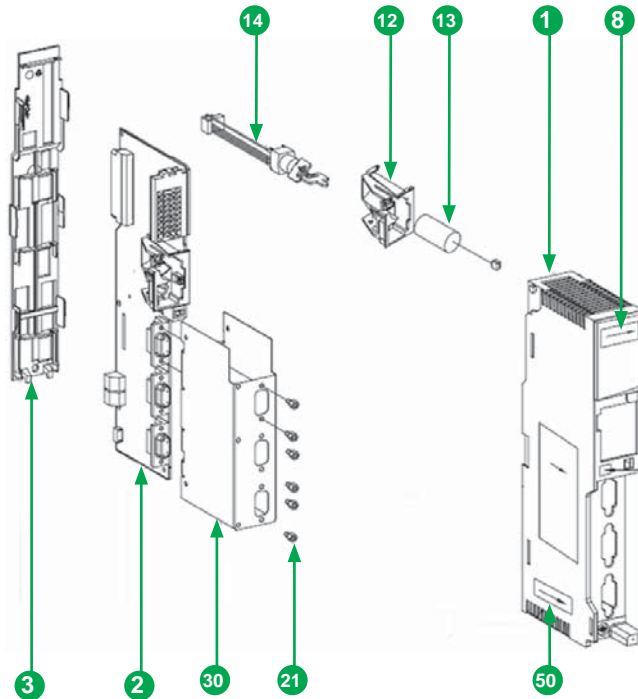
Operations recommended for the end of life treatment

There are several steps to process the products at the end of life so as to recover components, materials or energy :

Reuse ⇒ Separation for special treatment ⇒ Other Dismantling ⇒ Shredding

The components of the products that optimize the recycling performances are listed, identified and located hereunder.

CAUTION: None.



Recommendation	Number on drawing	Components	Weight (g)	Comment
Special treatment	13	Battery	30	Remove battery
	2	PCBA	150	–
Other dismantling		Polycarbonate Plastic (PC)	177	Valorisation
	30	Stainless Steel	30	Valorisation

Product Range

QUANTUM Single Slot Units without battery

Marketing Model

140ACI03000, 140ACI04000, 140ACO02000, 140ACO13000, 140AMM09000, 140ARI03010, 140ATI03000, 140AVI03000, 140AVO02000, 140CHS11000, 140CHS21000, , 140CHS32000, 140CHS41010, 140CHS41020, 140CRA21110, 140CRA21120, 140CRA21210, 140CRA21220, 140CRA31200, 140CRA93100, 140CRA93101, 140CRA93200, 140CRP31200, 140CRP93100, 140CRP93200, 140DAI34000, 140DAI35300, 140DAI44000, 140DAI45300, 140DAI54000, 140DAI54300, 140DAI55300, 140DAI74000, 140DAI75300, 140DAM59000, 140DAO84000, 140DAO84010, 140DAO84210, 140DAO84220, 140DAO85300, 140DCF07700, 140DDI15310, 140DDI35310, 140DDI36400, 140DDI67300, 140DDI84100, 140DDI85300, 140DDM39000, 140DDM69000, 140DDO15310, 140DDO35300, 140DDO35301, 140DDO35310, 140DDO36400, 140DDO84300, 140DDO88500, 140DIO33000, 140DIO33000, 140DRA84000, 140DRC83000, 140DSI35300, 140DVO85300, 140EHC10500, 140EHC20200, 140EIA92100, 140ERT85410, 140ERT85420, 140ERT85430, 140ESI06200, 140ESI06210, 140HLI34000, 140MSB10100, 140MSC10100, 140NOA62200, 140NOC77100, 140NOC77101, 140NOC78000, 140NOC78100, 140NOE77101, 140NOE77111, 140NOG11100, 140NOM21100, 140NOM21200, 140NOM25200, 140NOP85000, 140NRP31200, 140NRP31201, 140NRP95400, 140NRP95401C, 140NWM10000, 140SAI94000S, 140SDI95300S, 140SDO95300S, 140XBE10000, 140XCP50000, 140XCP51000, 140XCP90000, 690MCB00000, ASBADU208, ASBALU252, ASBDEA202B, ASBDEA253, ASBMOT202, ASBMVB258A, ASBMVB259



Size in mm:

H x L x D : 41 x 99 x 250

Weight in g:

Between 250 and 800

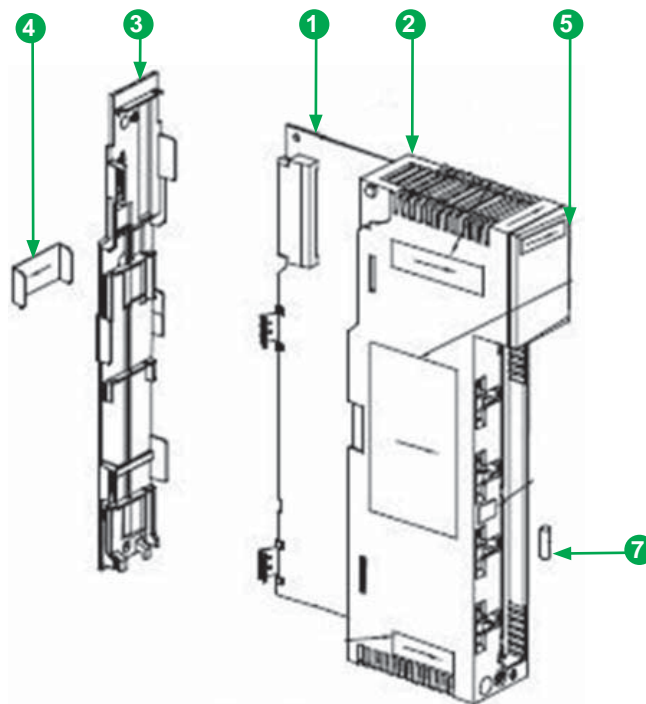
Operations recommended for the end of life treatment

There are several steps to process the products at the end of life so as to recover components, materials or energy :

Reuse ⇒ Separation for special treatment ⇒ Other Dismantling ⇒ Shredding

The components of the products that optimize the recycling performances are listed, identified and located hereunder.

CAUTION: None.



Recommendation	Number on drawing	Components	Weight (g)	Comment
Special treatment	①	PCBA	150	–
Other dismantling	②	Polycarbonate Plastic (PC)	177	Valorisation

Product Range

QUANTUM Backplanes

Marketing Model

140XBP00200, 140XBP00300, 140XBP00400, 140XBP00600, 140XBP01600



Size in mm:

H x L x D : 5 x 290 x 428

Weight in g:

Between 500 and 2500

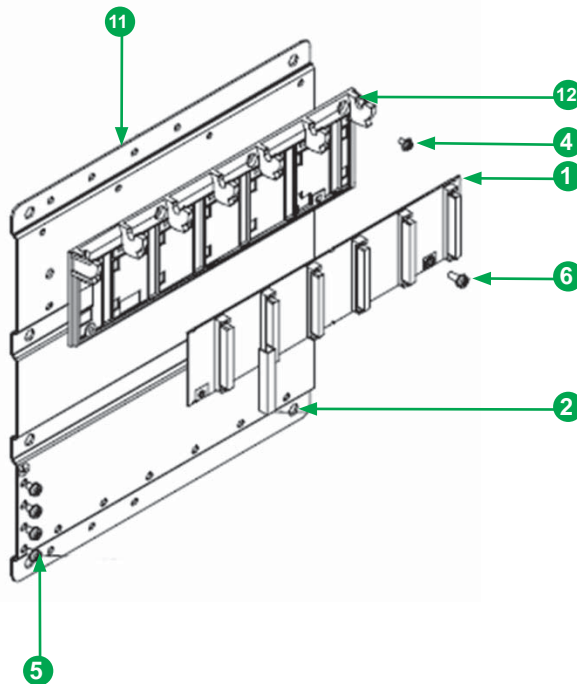
Operations recommended for the end of life treatment

There are several steps to process the products at the end of life so as to recover components, materials or energy :

Reuse ⇨ Separation for special treatment ⇨ Other Dismantling ⇨ Shredding

The components of the products that optimize the recycling performances are listed, identified and located hereunder.

CAUTION: None.



Recommendation	Number on drawing	Components	Weight (g)	Comment
Depollution	1	PCBA	200	WEEE
Other dismantling	11	Stainless Steel	1500	Valorisation

Schneider Electric Industries SAS

35, rue Joseph Monier
CS30323
F - 92506 Rueil Malmaison Cedex

RCS Nanterre 954 503 439
Capital social 896 313 776 €
www.schneider-electric.com

The version of the Guide used to create the document: End of Life Instruction Drafting Guide of Schneider Electric version V2.

Publication : Schneider Electric